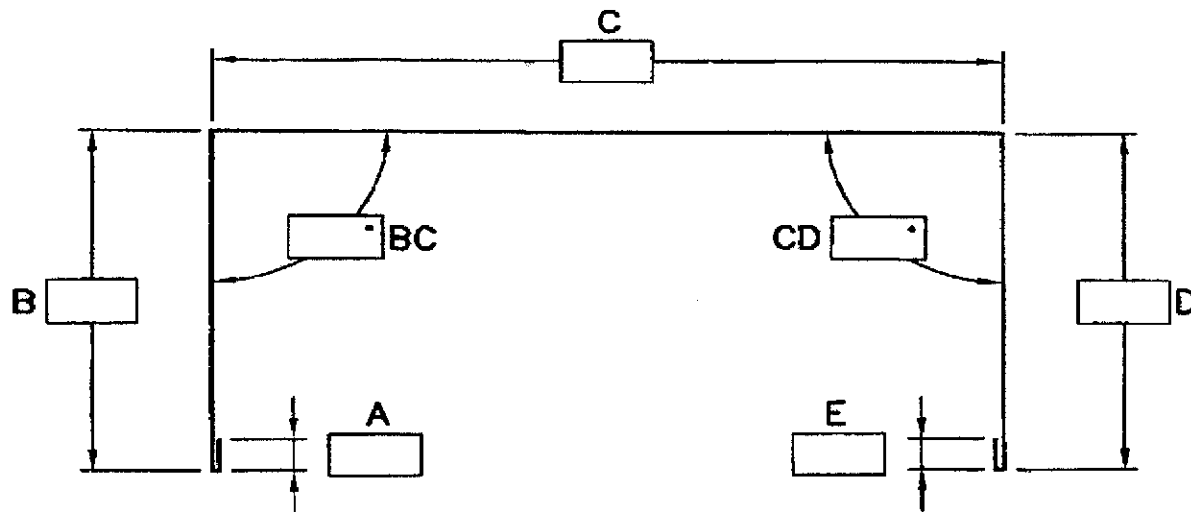
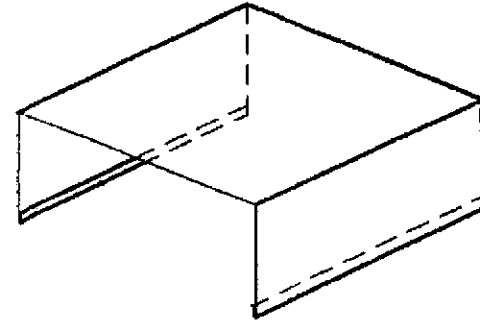
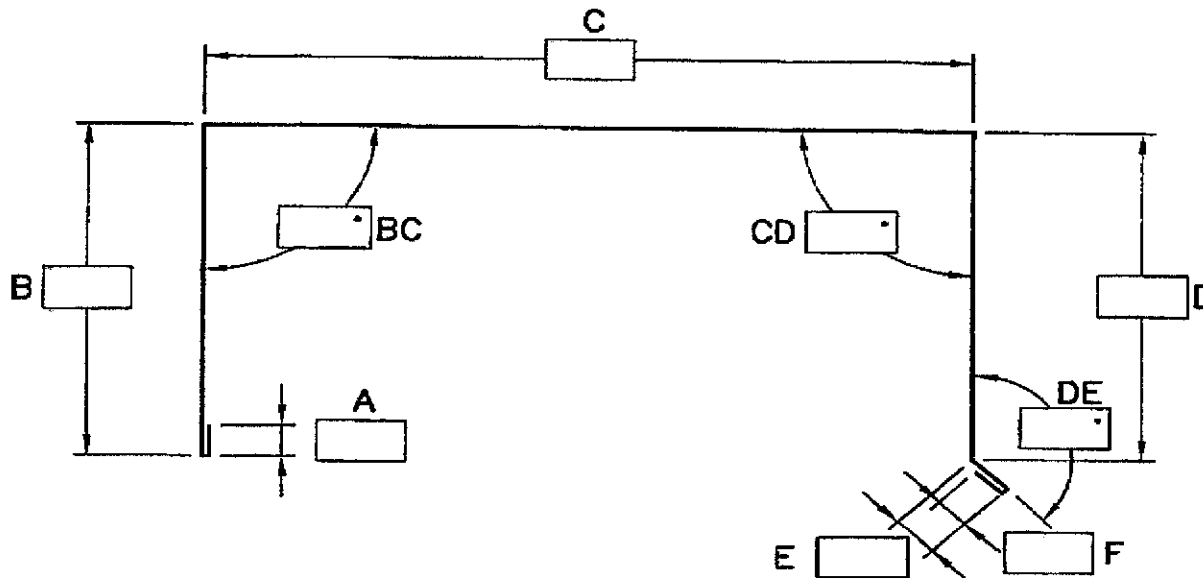
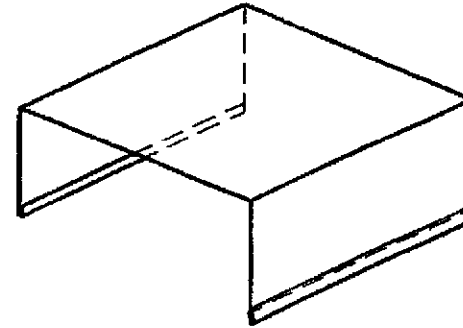


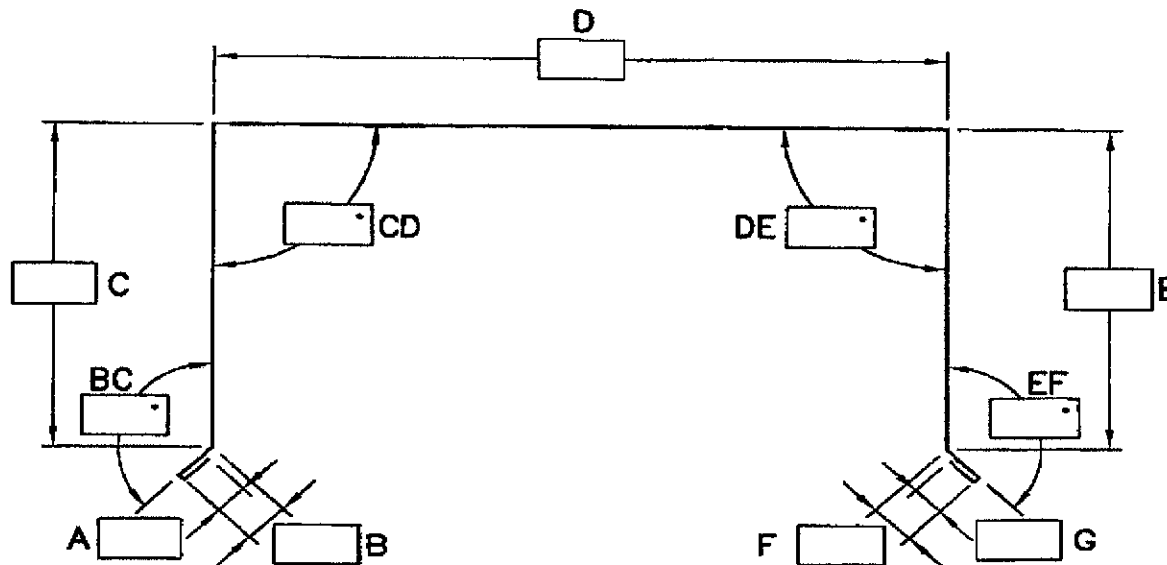
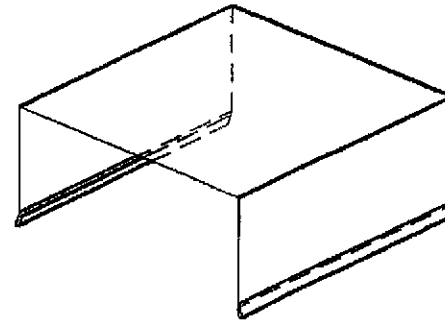
|                  |       |  |    |  |    |  |    |                   |
|------------------|-------|--|----|--|----|--|----|-------------------|
| COMPANY          |       |  |    |  |    | STR8 SHEET FABRICATIONS                    |    |                   |
| JOB NAME/#       |       |  |    |  |    | 4493 RUSSELL RD. STE. D MUKILTEO, WA 98275 |    |                   |
| ORDERED BY:      | NAME: |  |    |  |    | PHONE: 425-789-1755                        |    | FAX: 425-789-1808 |
|                  |       |  |    |  |    | EMAIL: WILL@STR8FAB.COM                    |    |                   |
| MATERIAL         |       |  |    |  |    |  |    |                   |
| GAUGE: CHECK ONE | 18    |  | 20 |  | 22 |  | 24 | 26                |



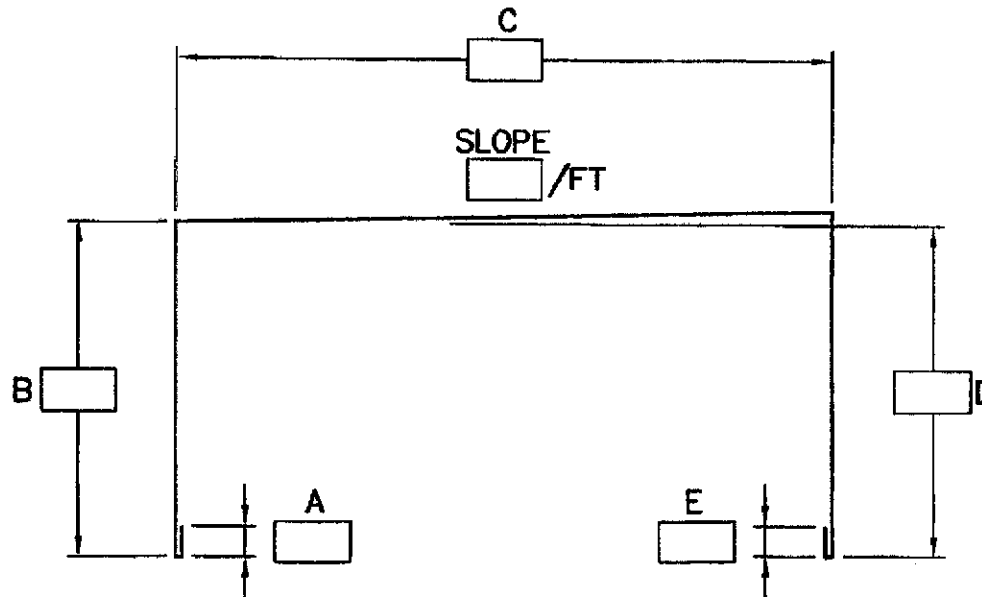
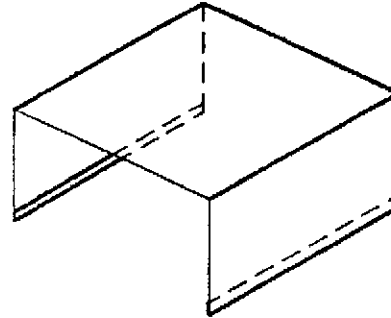
|                  |       |  |    |  |    |  |    |                   |    |
|------------------|-------|--|----|--|----|--|----|-------------------|----|
| COMPANY          |       |  |    |  |    | STR8 SHEET FABRICATIONS                    |    |                   |    |
| JOB NAME/#       |       |  |    |  |    | 4493 RUSSELL RD. STE. D MUKILTEO, WA 98275 |    |                   |    |
| ORDERED BY:      | NAME: |  |    |  |    | PHONE: 425-789-1755                        |    | FAX: 425-789-1808 |    |
|                  |       |  |    |  |    | EMAIL: WILL@STR8FAB.COM                    |    |                   |    |
| MATERIAL         |       |  |    |  |    |  |    |                   |    |
| GAUGE: CHECK ONE | 18    |  | 20 |  | 22 |  | 24 |                   | 26 |



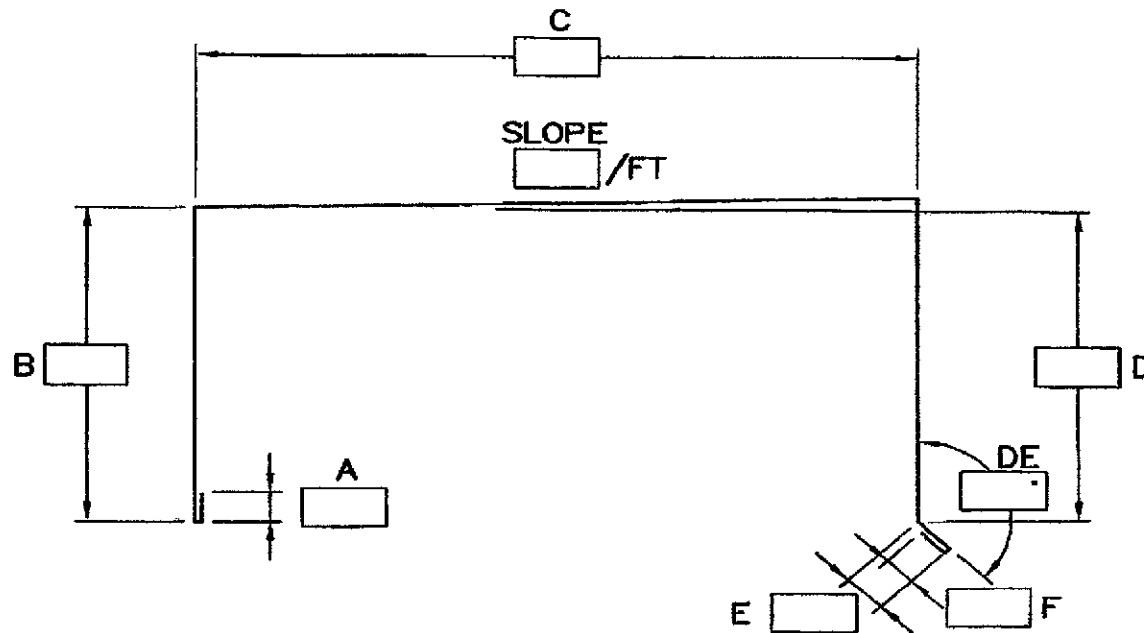
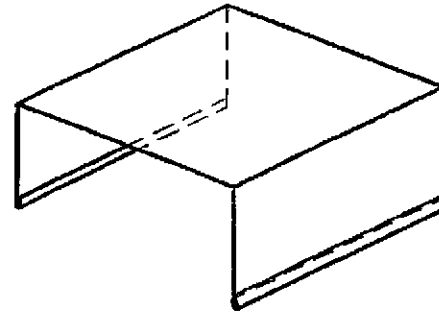
|                  |       |  |    |    |    |  |  |  |    |  |
|------------------|-------|--|----|----|----|--|--|--|----|--|
| COMPANY          |       |  |    |    |    |  | STR8 SHEET FABRICATIONS                    |  |    |  |
| JOB NAME/#       |       |  |    |    |    |  | 4493 RUSSELL RD. STE. D MUKILTEO, WA 98275 |  |    |  |
| ORDERED BY:      | NAME: |  |    | #: |    |  | PHONE: 425-789-1755 FAX: 425-789-1808      |  |    |  |
|                  |       |  |    |    |    |  | EMAIL: WILL@STR8FAB.COM                    |  |    |  |
| MATERIAL         |       |  |    |    |    |  |  |  |    |  |
| GAUGE: CHECK ONE | 18    |  | 20 |    | 22 |  | 24   |  | 26 |  |



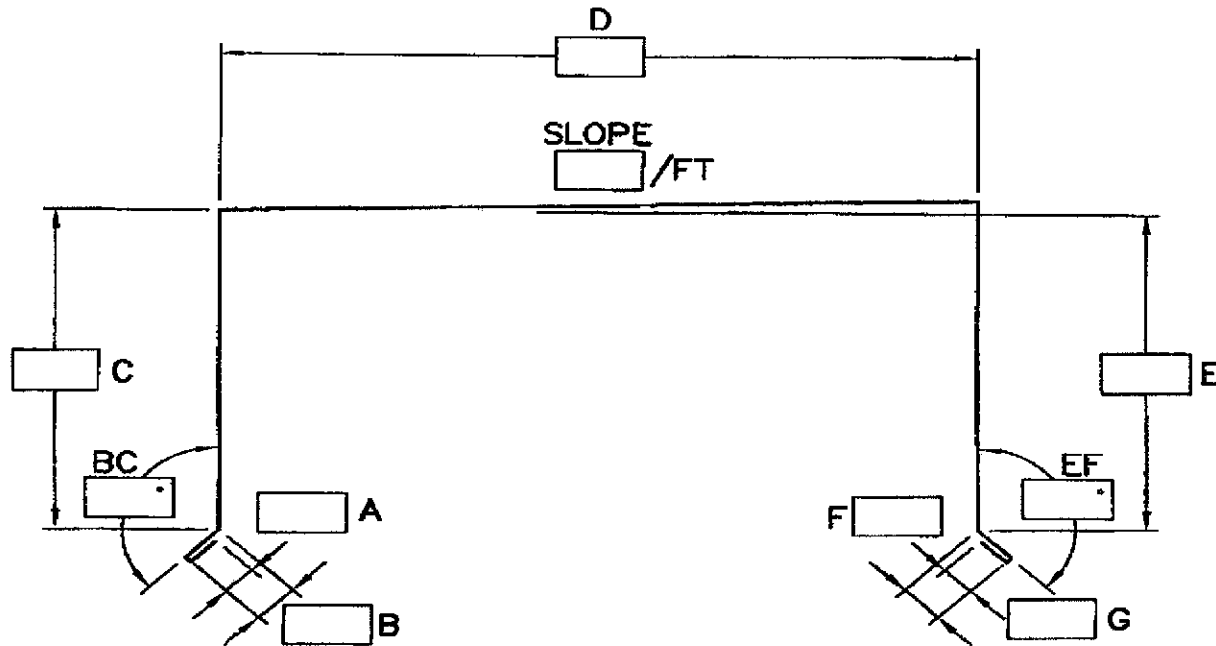
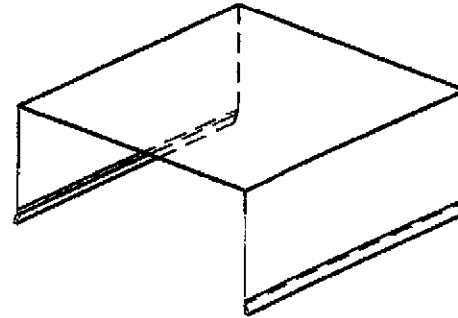
|                  |       |  |    |  |    |  |    |  |    |
|------------------|-------|--|----|--|----|--|----|--|----|
| COMPANY          |       |  |    |  |    | STR8 SHEET FABRICATIONS                    |    |  |    |
| JOB NAME/#       |       |  |    |  |    | 4493 RUSSELL RD. STE. D MUKILTEO, WA 98275 |    |  |    |
| ORDERED BY:      | NAME: |  |    |  | #: |  |    |  |    |
|                  |       |  |    |  |    | PHONE: 425-789-1755 FAX: 425-789-1808      |    |  |    |
|                  |       |  |    |  |    | EMAIL: WILL@STR8FAB.COM                    |    |  |    |
| MATERIAL         |       |  |    |  |    |  |    |  |    |
| GAUGE: CHECK ONE | 18    |  | 20 |  | 22 |  | 24 |  | 26 |



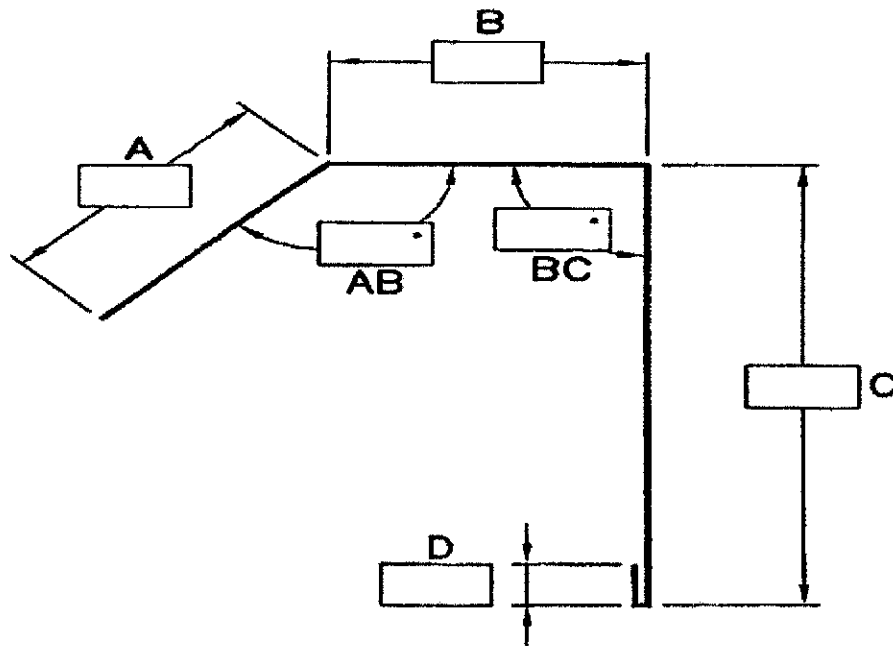
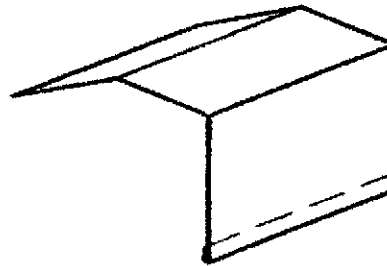
|                  |       |  |    |  |    |  |    |                   |
|------------------|-------|--|----|--|----|--|----|-------------------|
| COMPANY          |       |  |    |  |    | STR8 SHEET FABRICATIONS                    |    |                   |
| JOB NAME/#       |       |  |    |  |    | 4493 RUSSELL RD. STE. D MUKILTEO, WA 98275 |    |                   |
| ORDERED BY:      | NAME: |  |    |  |    | PHONE: 425-789-1755                        |    | FAX: 425-789-1808 |
|                  |       |  |    |  |    | EMAIL: WILL@STR8FAB.COM                    |    |                   |
| MATERIAL         |       |  |    |  |    |  |    |                   |
| GAUGE: CHECK ONE | 18    |  | 20 |  | 22 |  | 24 | 26                |



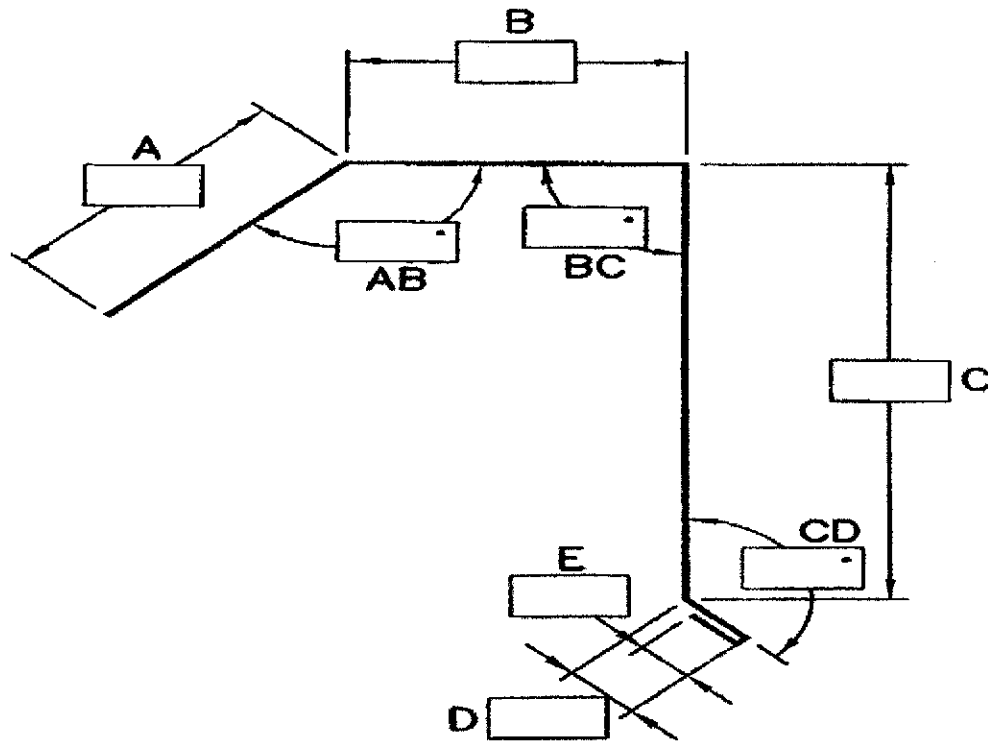
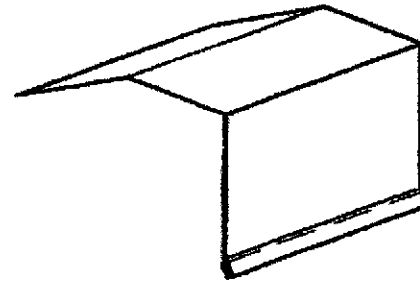
|                  |       |  |    |  |  |  |    |  |    |
|------------------|-------|--|----|--|--|--|----|--|----|
| COMPANY          |       |  |    |  | STR8 SHEET FABRICATIONS                    |  |    |  |    |
| JOB NAME/#       |       |  |    |  | 4493 RUSSELL RD. STE. D MUKILTEO, WA 98275 |  |    |  |    |
| ORDERED BY:      | NAME: |  | #: |  | PHONE: 425-789-1755 FAX: 425-789-1808      |  |    |  |    |
|                  |       |  |    |  | EMAIL: WILL@STR8FAB.COM                    |  |    |  |    |
| MATERIAL         |       |  |    |  |  |  |    |  |    |
| GAUGE: CHECK ONE | 18    |  | 20 |  | 22   |  | 24 |  | 26 |



|                  |       |  |    |  |    |  |    |  |    |
|------------------|-------|--|----|--|----|--|----|--|----|
| COMPANY          |       |  |    |  |    | <b>STR8 SHEET FABRICATIONS</b>             |    |  |    |
| JOB NAME/#       |       |  |    |  |    | 4493 RUSSELL RD. STE. D MUKILTEO, WA 98275 |    |  |    |
| ORDERED BY:      | NAME: |  | #: |  |    | PHONE: 425-789-1755 FAX: 425-789-1808      |    |  |    |
| MATERIAL         |       |  |    |  |    | EMAIL: WILL@STR8FAB.COM                    |    |  |    |
| GAUGE: CHECK ONE | 18    |  | 20 |  | 22 |  | 24 |  | 26 |

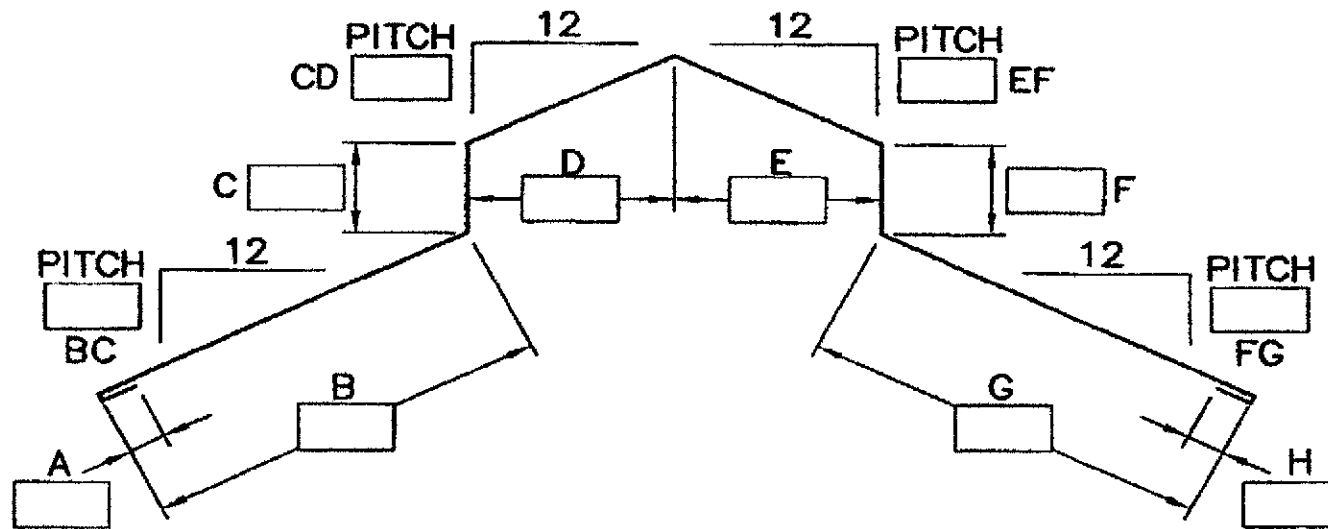
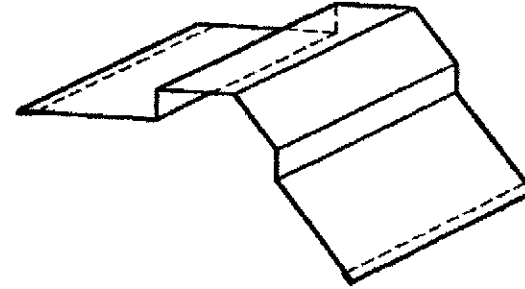


|                  |       |  |    |  |    |  |    |    |
|------------------|-------|--|----|--|----|--|----|----|
| COMPANY          |       |  |    |  |    | STR8 SHEET FABRICATIONS                    |    |    |
| JOB NAME/#       |       |  |    |  |    | 4493 RUSSELL RD. STE. D MUKILTEO, WA 98275 |    |    |
| ORDERED BY:      | NAME: |  | #: |  |    | PHONE: 425-789-1755 FAX: 425-789-1808      |    |    |
| MATERIAL         |       |  |    |  |    | EMAIL: WILL@STR8FAB.COM                    |    |    |
| GAUGE: CHECK ONE | 18    |  | 20 |  | 22 |  | 24 | 26 |





|                  |       |  |    |  |    |  |    |    |
|------------------|-------|--|----|--|----|--|----|----|
| COMPANY          |       |  |    |  |    | STR8 SHEET FABRICATIONS                    |    |    |
| JOB NAME/#       |       |  |    |  |    | 4493 RUSSELL RD. STE. D MUKILTEO, WA 98275 |    |    |
| ORDERED BY:      | NAME: |  |    |  |    | PHONE: 425-789-1755 FAX: 425-789-1808      |    |    |
|                  |       |  |    |  |    | EMAIL: WILL@STR8FAB.COM                    |    |    |
| MATERIAL         |       |  |    |  |    |  |    |    |
| GAUGE: CHECK ONE | 18    |  | 20 |  | 22 |  | 24 | 26 |



|                  |       |  |    |  |    |  |    |                   |
|------------------|-------|--|----|--|----|--|----|-------------------|
| COMPANY          |       |  |    |  |    | STR8 SHEET FABRICATIONS                    |    |                   |
| JOB NAME/#       |       |  |    |  |    | 4493 RUSSELL RD. STE. D MUKILTEO, WA 98275 |    |                   |
| ORDERED BY:      | NAME: |  |    |  |    | PHONE: 425-789-1755                        |    | FAX: 425-789-1808 |
|                  |       |  |    |  |    | EMAIL: WILL@STR8FAB.COM                    |    |                   |
| MATERIAL         |       |  |    |  |    |  |    |                   |
| GAUGE: CHECK ONE | 18    |  | 20 |  | 22 |  | 24 | 26                |

