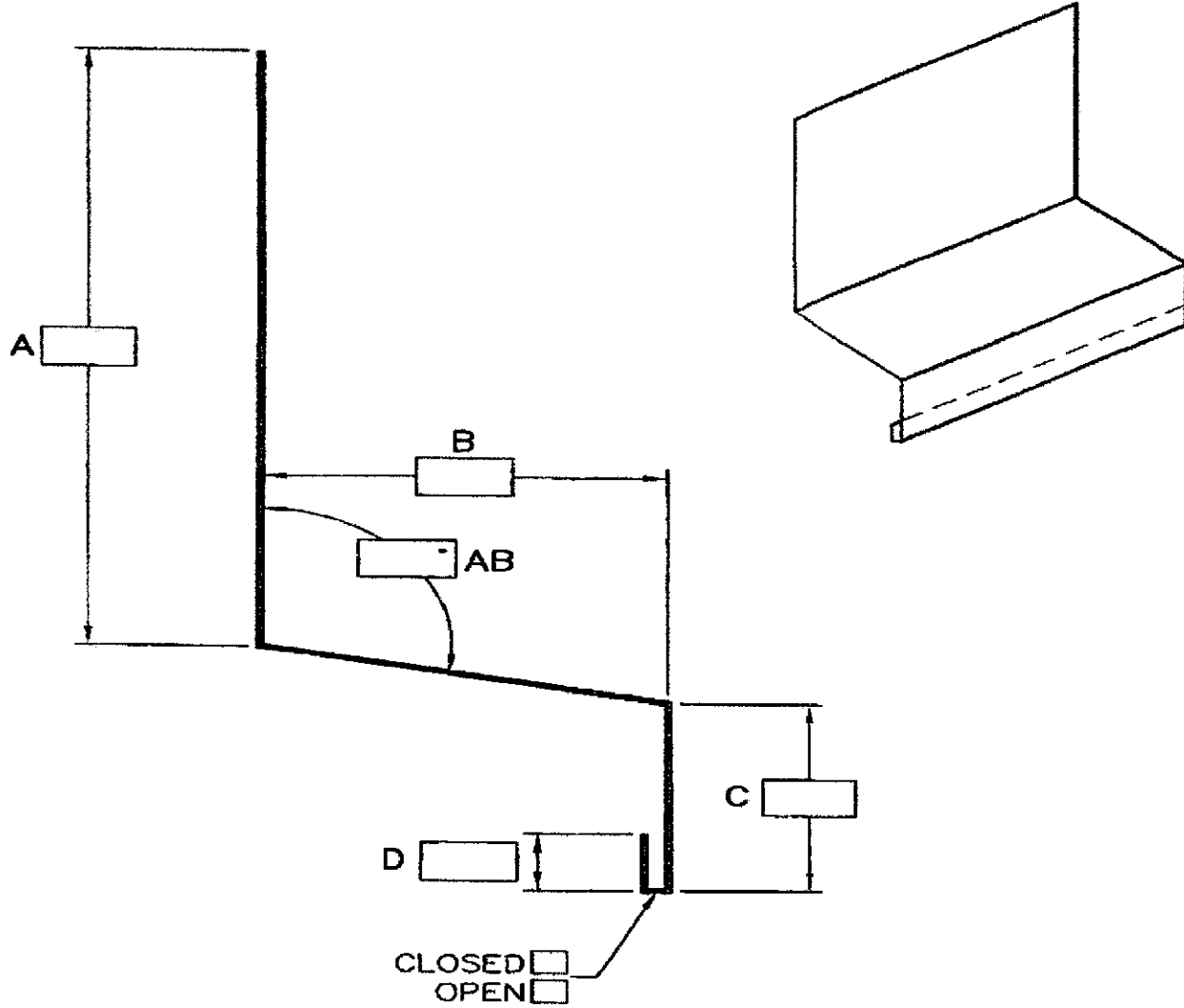
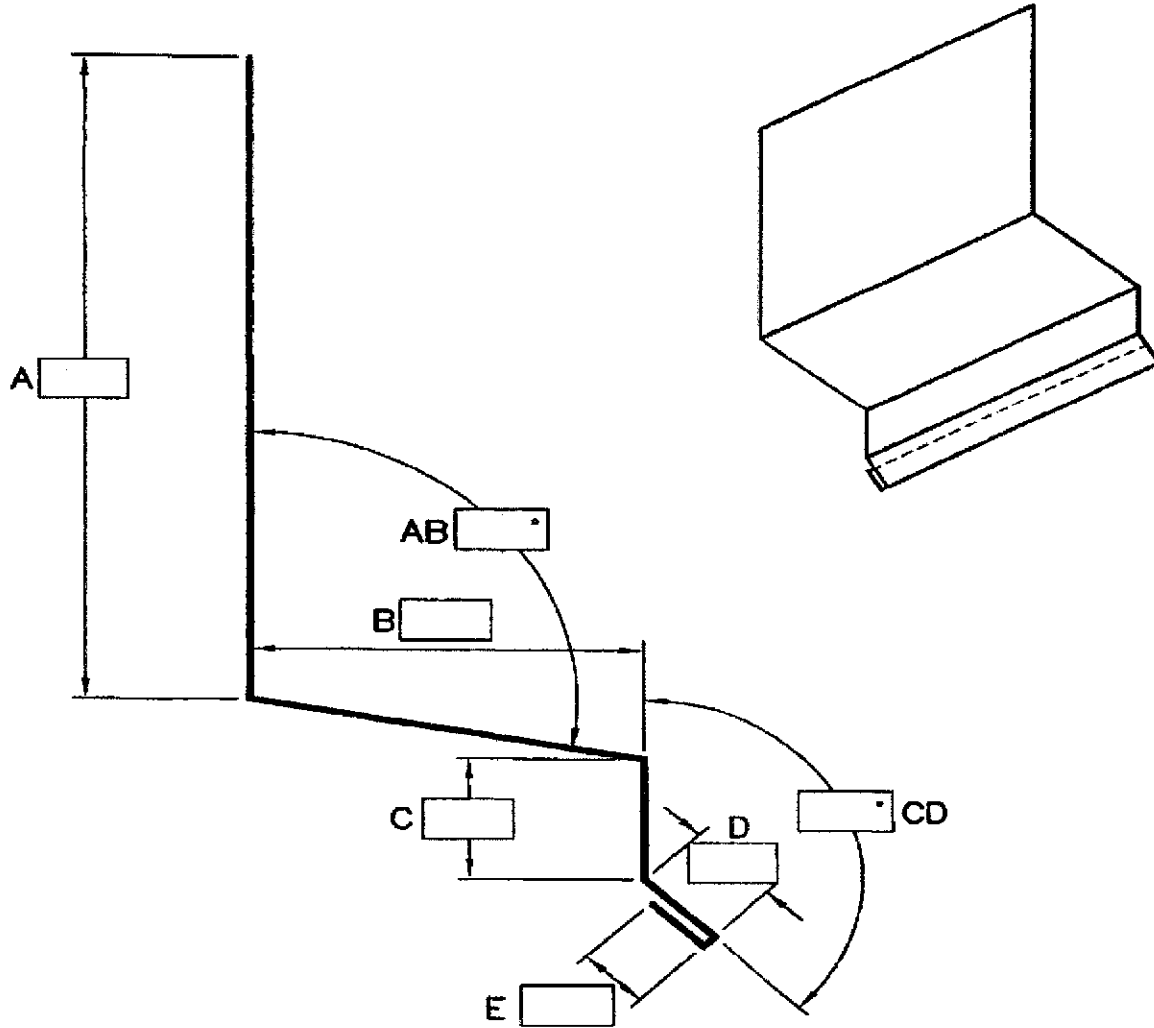


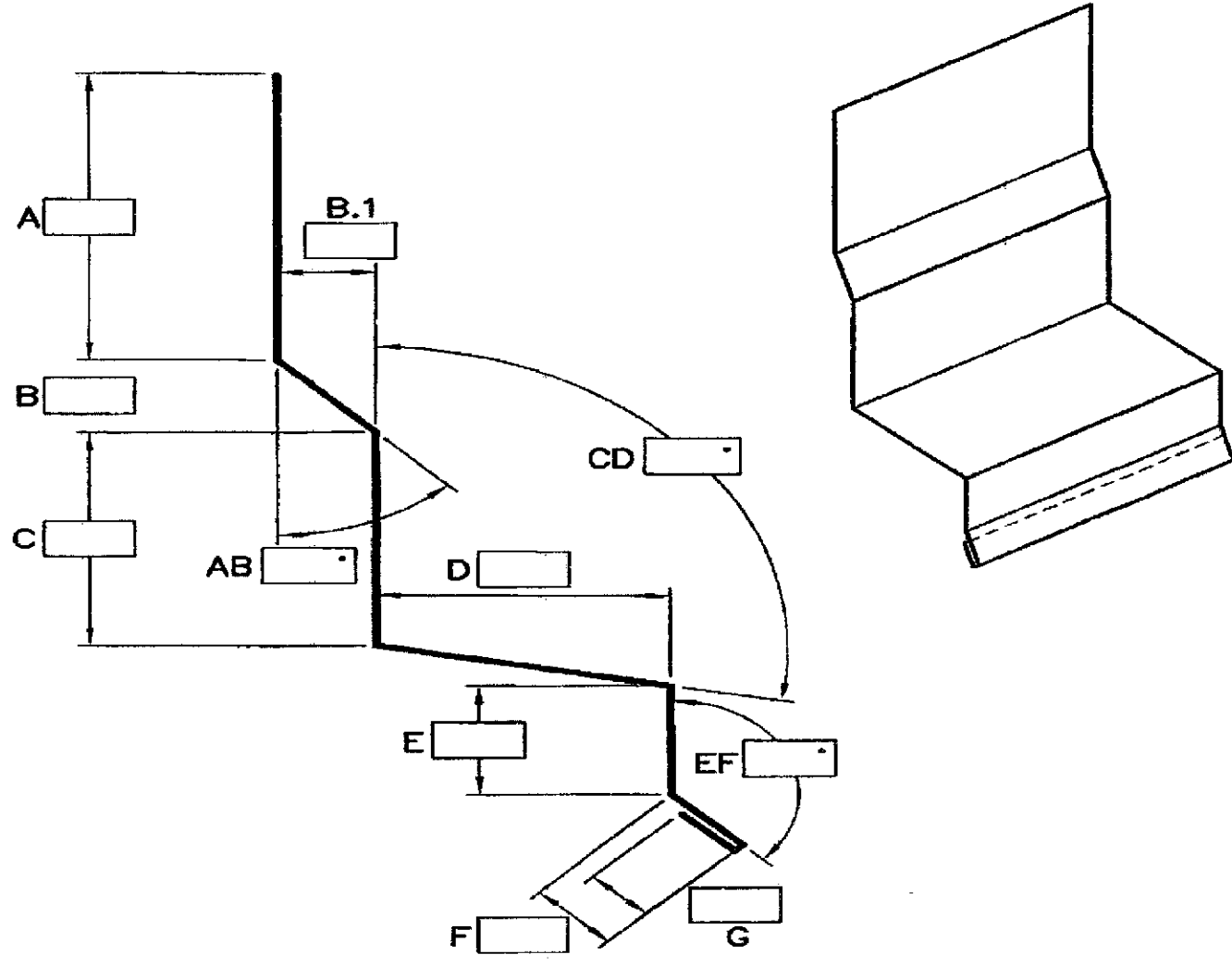
COMPANY						STR8 SHEET FABRICATIONS				
JOB NAME/#						4493 RUSSELL RD. STE. D MUKILTEO, WA 98275				
ORDERED BY:	NAME:		#:			PHONE: 425-789-1755 FAX: 425-789-1808				
						EMAIL: WILL@STR8FAB.COM				
MATERIAL										
GAUGE: CHECK ONE	18		20		22		24		26	



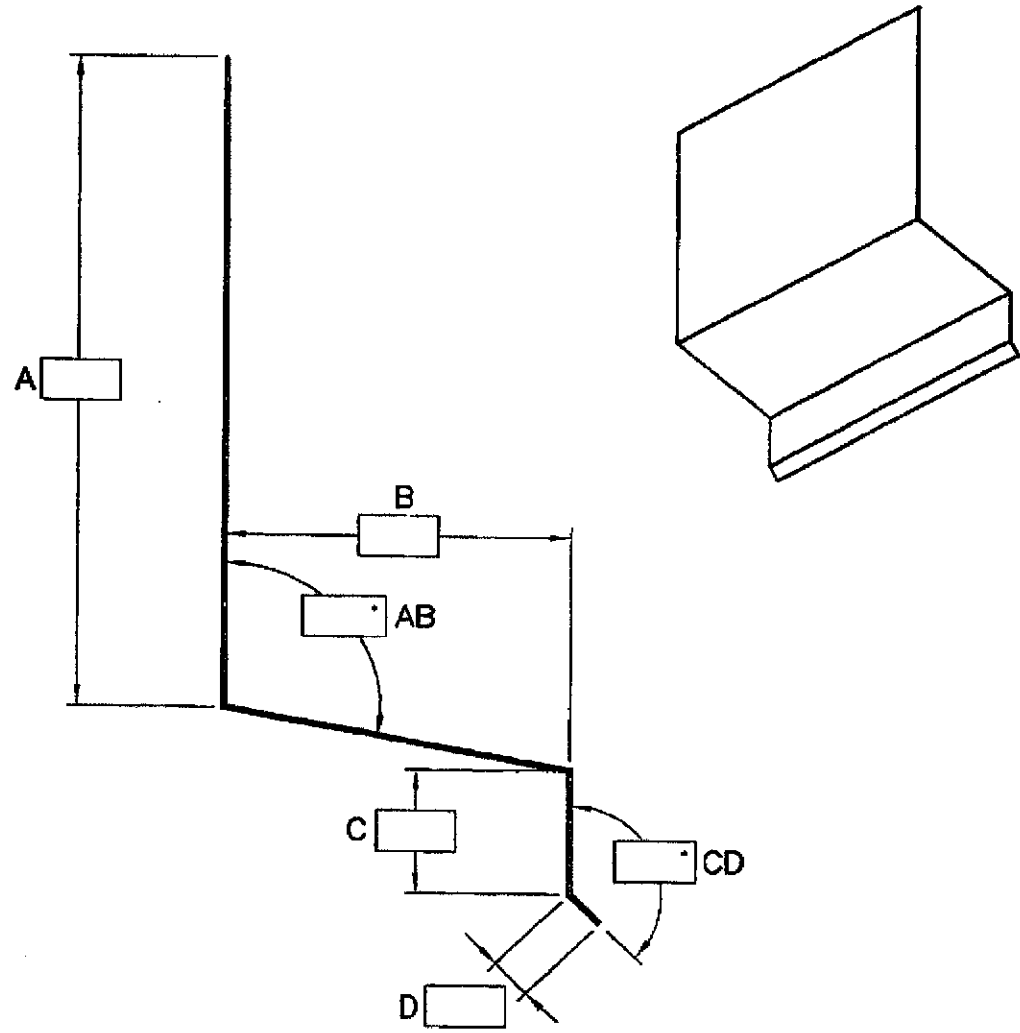
COMPANY						STR8 SHEET FABRICATIONS				
JOB NAME/#						4493 RUSSELL RD. STE. D MUKILTEO, WA 98275				
ORDERED BY:	NAME:		#:			PHONE: 425-789-1755 FAX: 425-789-1808				
						EMAIL: WILL@STR8FAB.COM				
MATERIAL										
GAUGE: CHECK ONE	18		20		22		24		26	



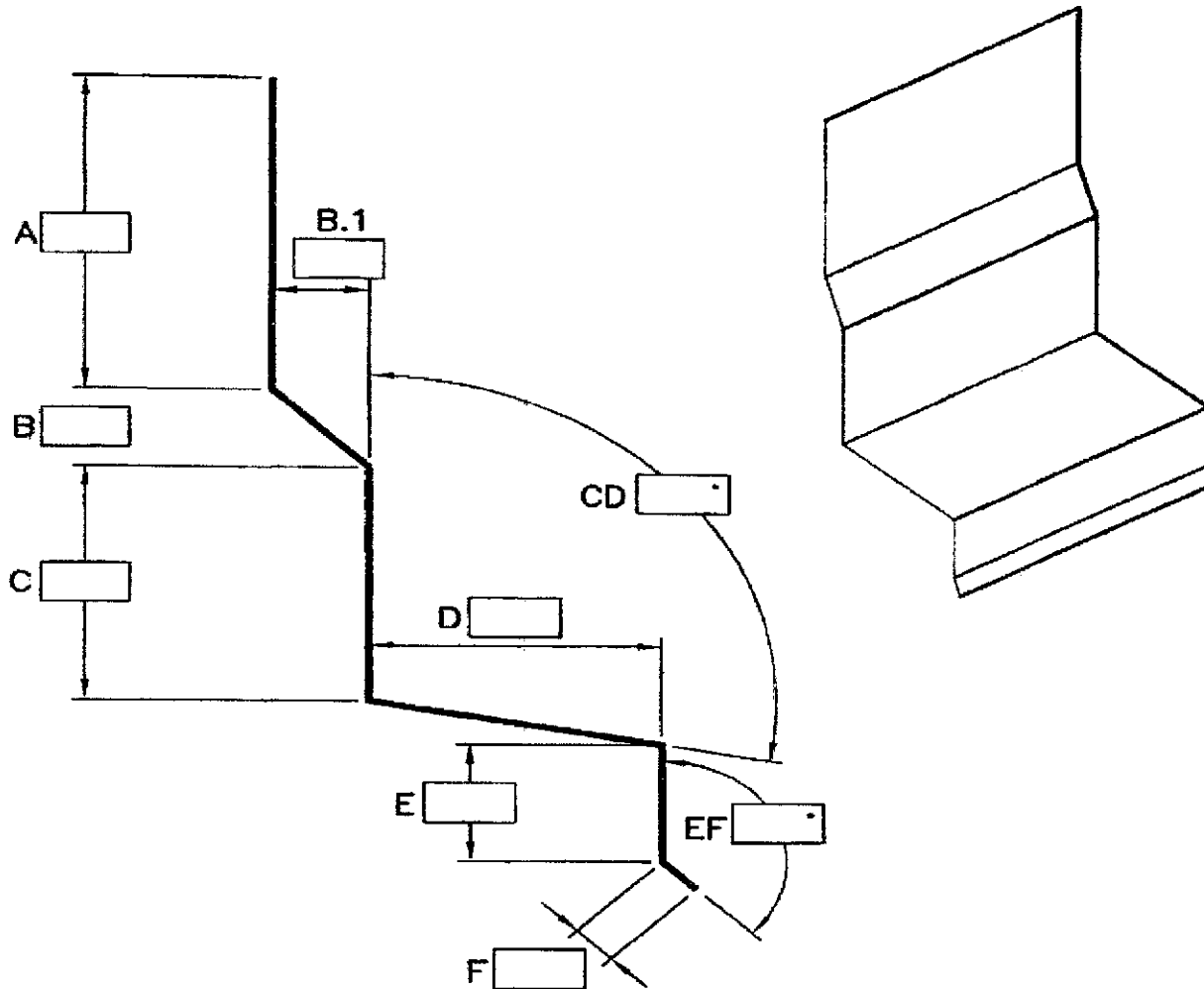
COMPANY						STR8 SHEET FABRICATIONS				
JOB NAME/#						4493 RUSSELL RD. STE. D MUKILTEO, WA 98275				
ORDERED BY:	NAME:		#:			PHONE: 425-789-1755 FAX: 425-789-1808				
						EMAIL: WILL@STR8FAB.COM				
MATERIAL										
GAUGE: CHECK ONE	18		20		22		24		26	



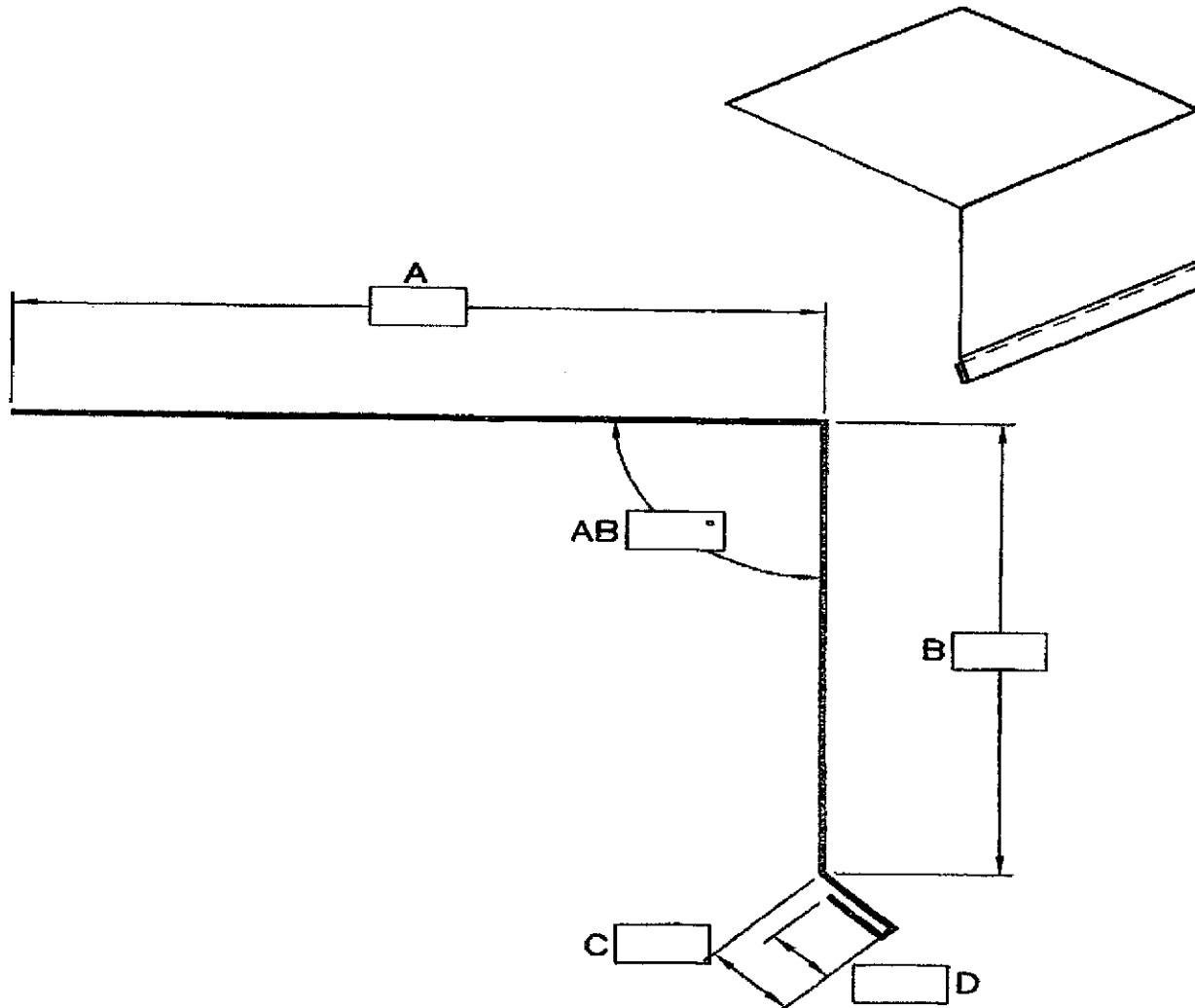
COMPANY							STR8 SHEET FABRICATIONS			
JOB NAME/#							4493 RUSSELL RD. STE. D MUKILTEO, WA 98275			
ORDERED BY:	NAME:				#:		PHONE: 425-789-1755		FAX: 425-789-1808	
							EMAIL: WILL@STR8FAB.COM			
MATERIAL										
GAUGE: CHECK ONE	18		20		22		24		26	



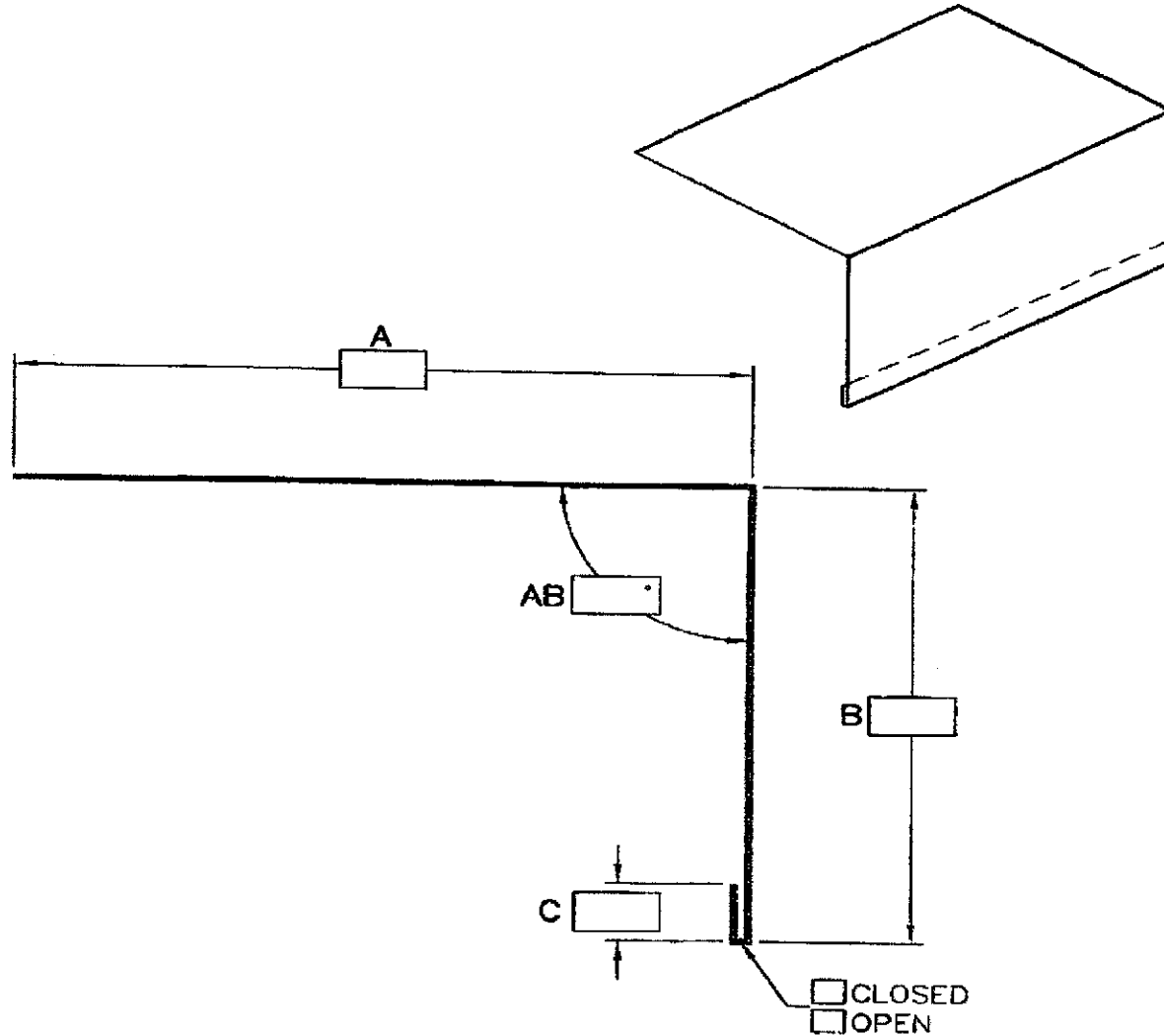
COMPANY							STR8 SHEET FABRICATIONS		
JOB NAME/#							4493 RUSSELL RD. STE. D MUKILTEO, WA 98275		
ORDERED BY:	NAME:						PHONE: 425-789-1755		FAX: 425-789-1808
							EMAIL: WILL@STR8FAB.COM		
MATERIAL									
GAUGE: CHECK ONE	18		20		22		24		26



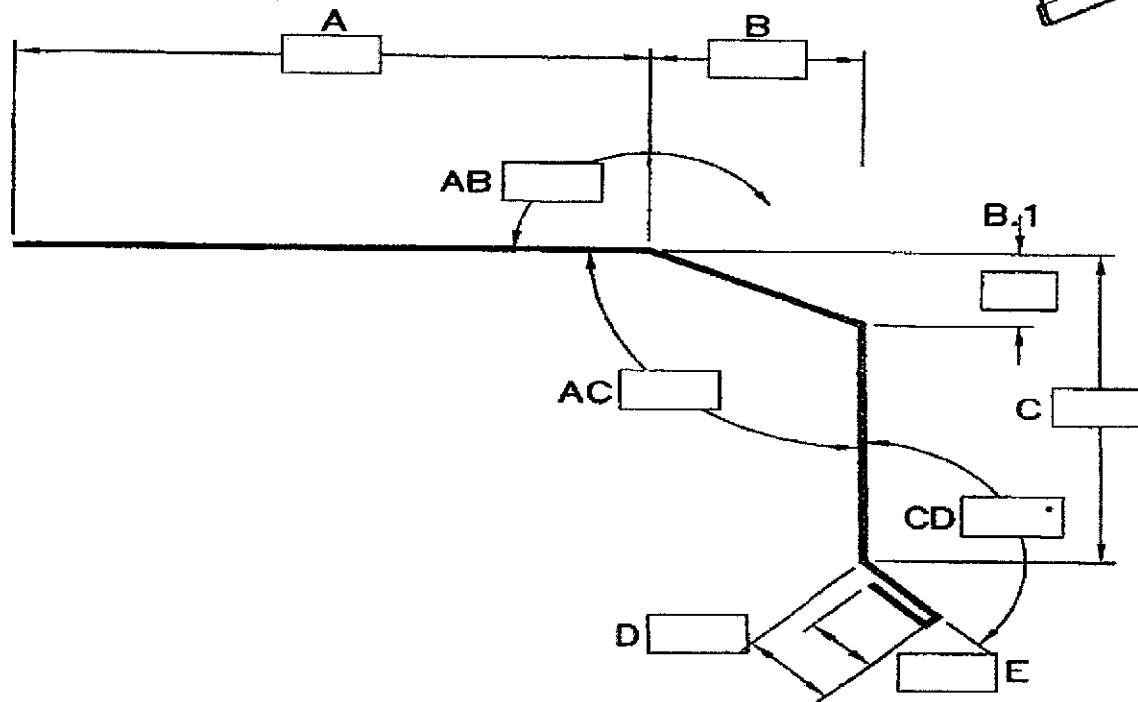
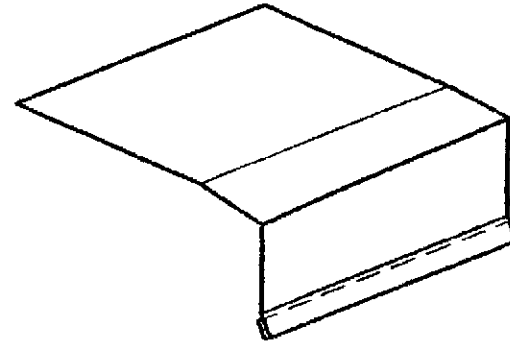
COMPANY						STR8 SHEET FABRICATIONS				
JOB NAME/#						4493 RUSSELL RD. STE. D MUKILTEO, WA 98275				
ORDERED BY:	NAME:		#:			PHONE: 425-789-1755 FAX: 425-789-1808				
						EMAIL: WILL@STR8FAB.COM				
MATERIAL										
GAUGE: CHECK ONE	18		20		22		24		26	



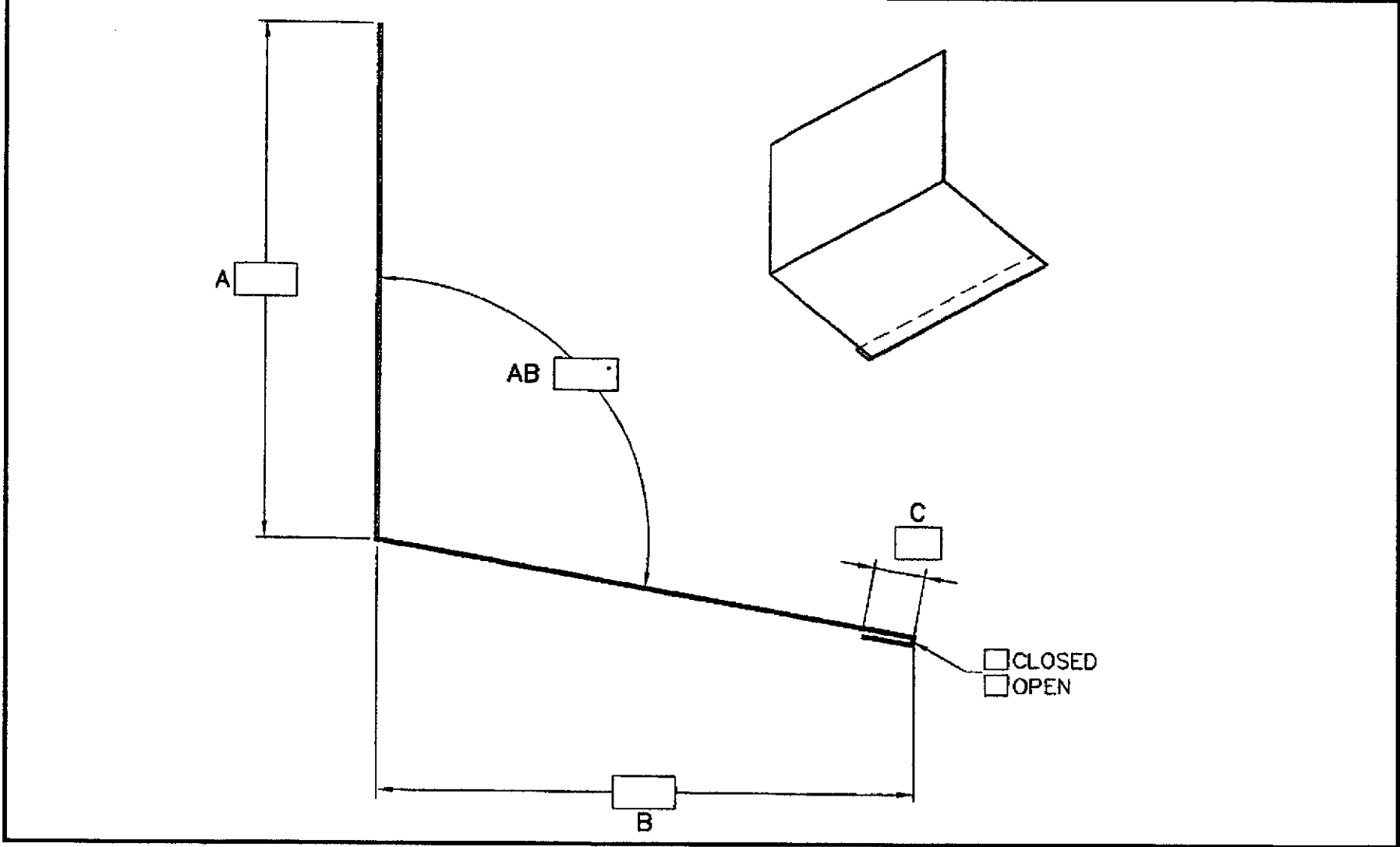
COMPANY						STR8 SHEET FABRICATIONS		
JOB NAME/#						4493 RUSSELL RD. STE. D MUKILTEO, WA 98275		
ORDERED BY:	NAME:		#:			PHONE: 425-789-1755 FAX: 425-789-1808		
						EMAIL: WILL@STR8FAB.COM		
MATERIAL								
GAUGE: CHECK ONE	18		20		22		24	26



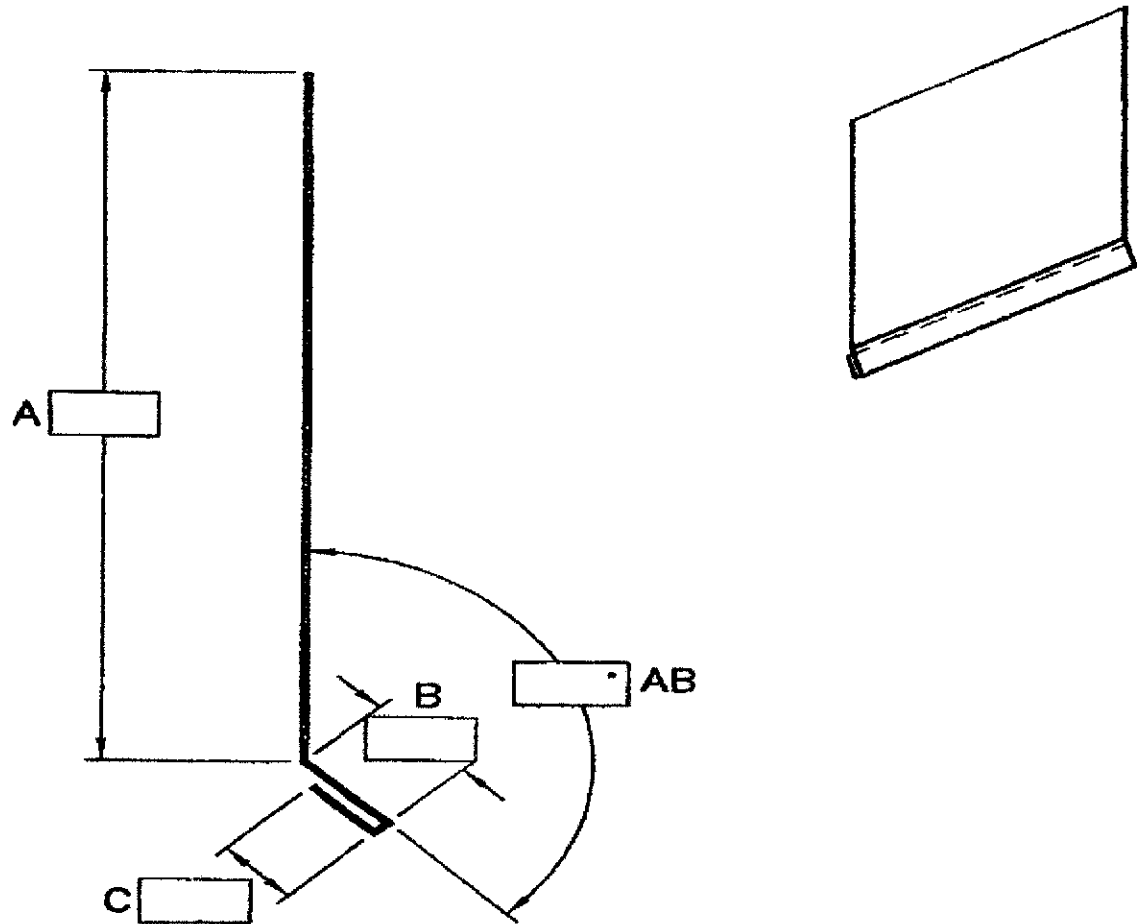
COMPANY						STR8 SHEET FABRICATIONS			
JOB NAME/#						4493 RUSSELL RD. STE. D MUKILTEO, WA 98275			
ORDERED BY:	NAME:		#:			PHONE: 425-789-1755 FAX: 425-789-1808			
						EMAIL: WILL@STR8FAB.COM			
MATERIAL									
GAUGE: CHECK ONE	18		20		22		24		26



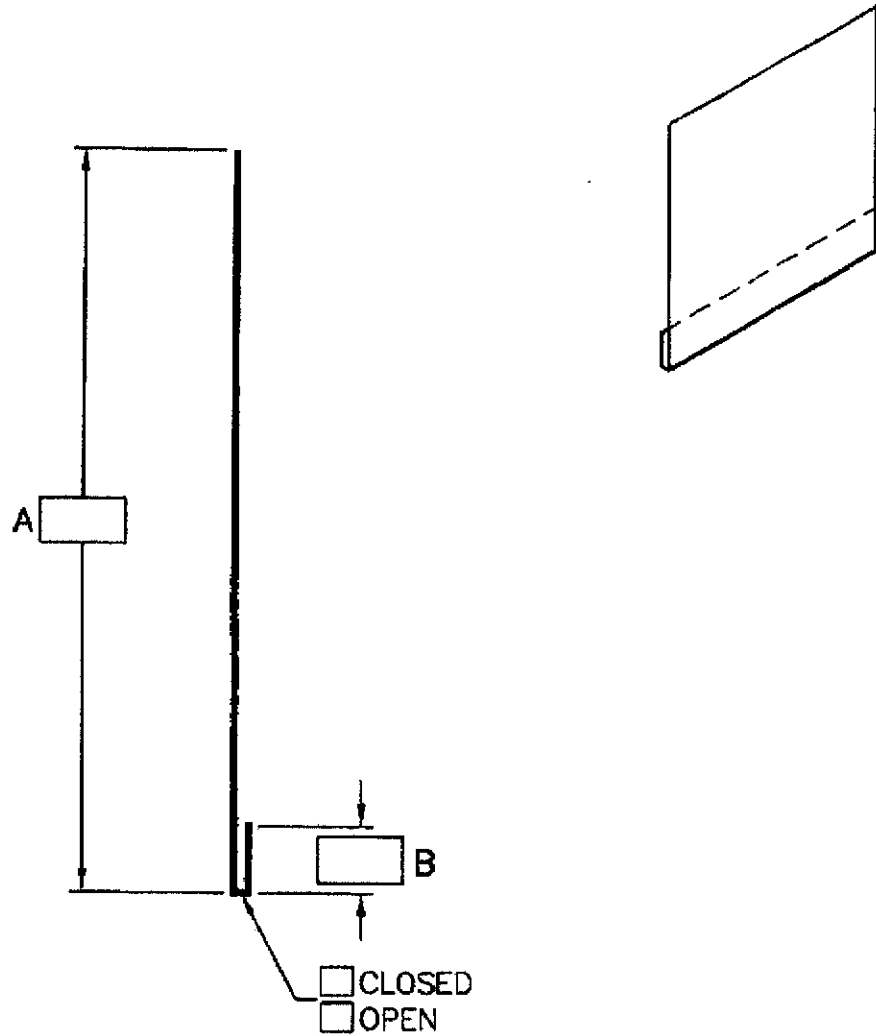
COMPANY						STR8 SHEET FABRICATIONS		
JOB NAME/#						4493 RUSSELL RD. STE. D MUKILTEO, WA 98275		
ORDERED BY:	NAME:					PHONE: 425-789-1755		FAX: 425-789-1808
						EMAIL: WILL@STR8FAB.COM		
MATERIAL								
GAUGE: CHECK ONE	18		20		22		24	26



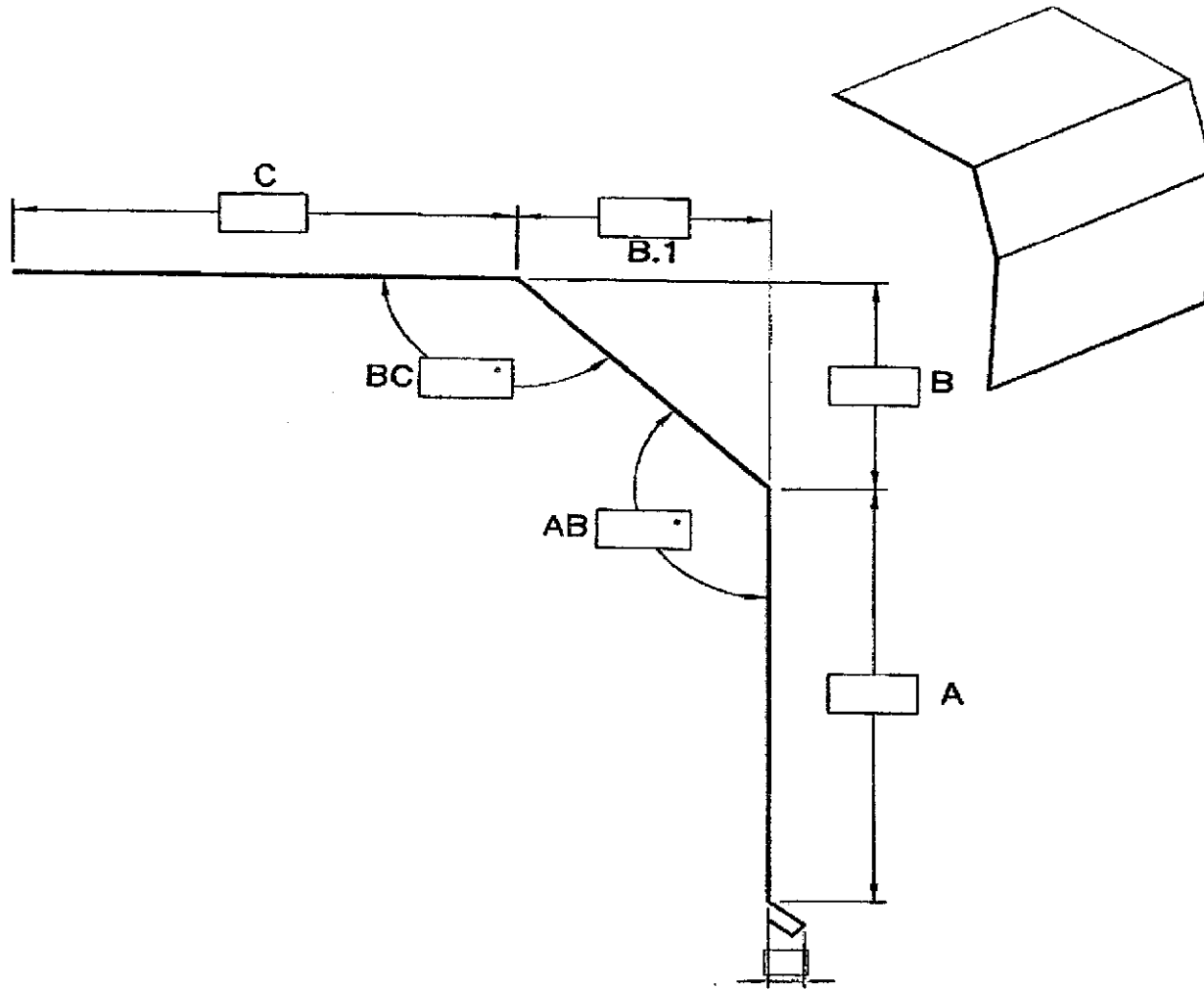
COMPANY							STR8 SHEET FABRICATIONS			
JOB NAME/#							4493 RUSSELL RD. STE. D MUKILTEO, WA 98275			
ORDERED BY:	NAME:				#:		PHONE: 425-789-1755		FAX: 425-789-1808	
							EMAIL: WILL@STR8FAB.COM			
MATERIAL										
GAUGE: CHECK ONE	18		20		22		24		26	



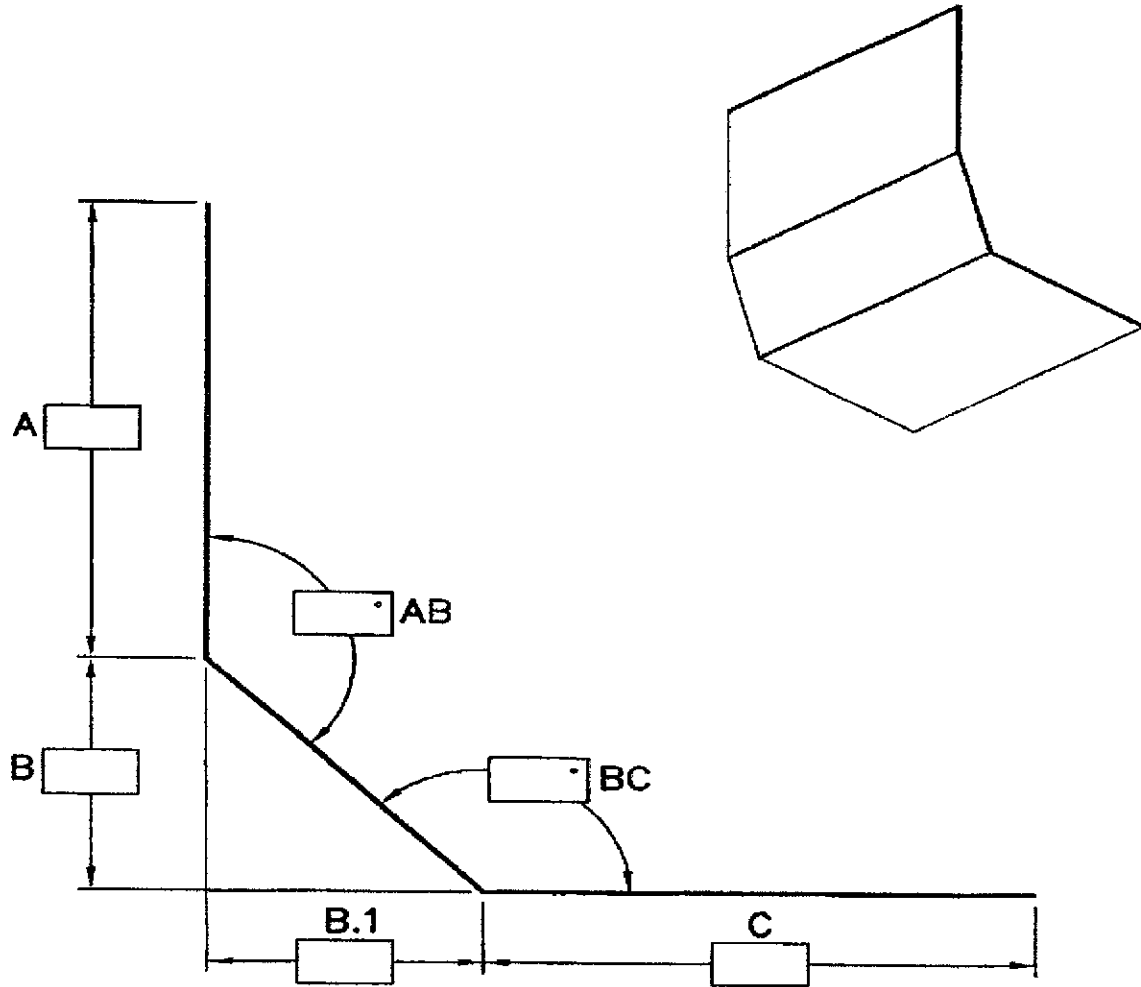
COMPANY						STR8 SHEET FABRICATIONS			
JOB NAME/#						4493 RUSSELL RD. STE. D MUKILTEO, WA 98275			
ORDERED BY:	NAME:		#:			PHONE: 425-789-1755		FAX: 425-789-1808	
						EMAIL: WILL@STR8FAB.COM			
MATERIAL									
GAUGE: CHECK ONE	18		20		22		24		26



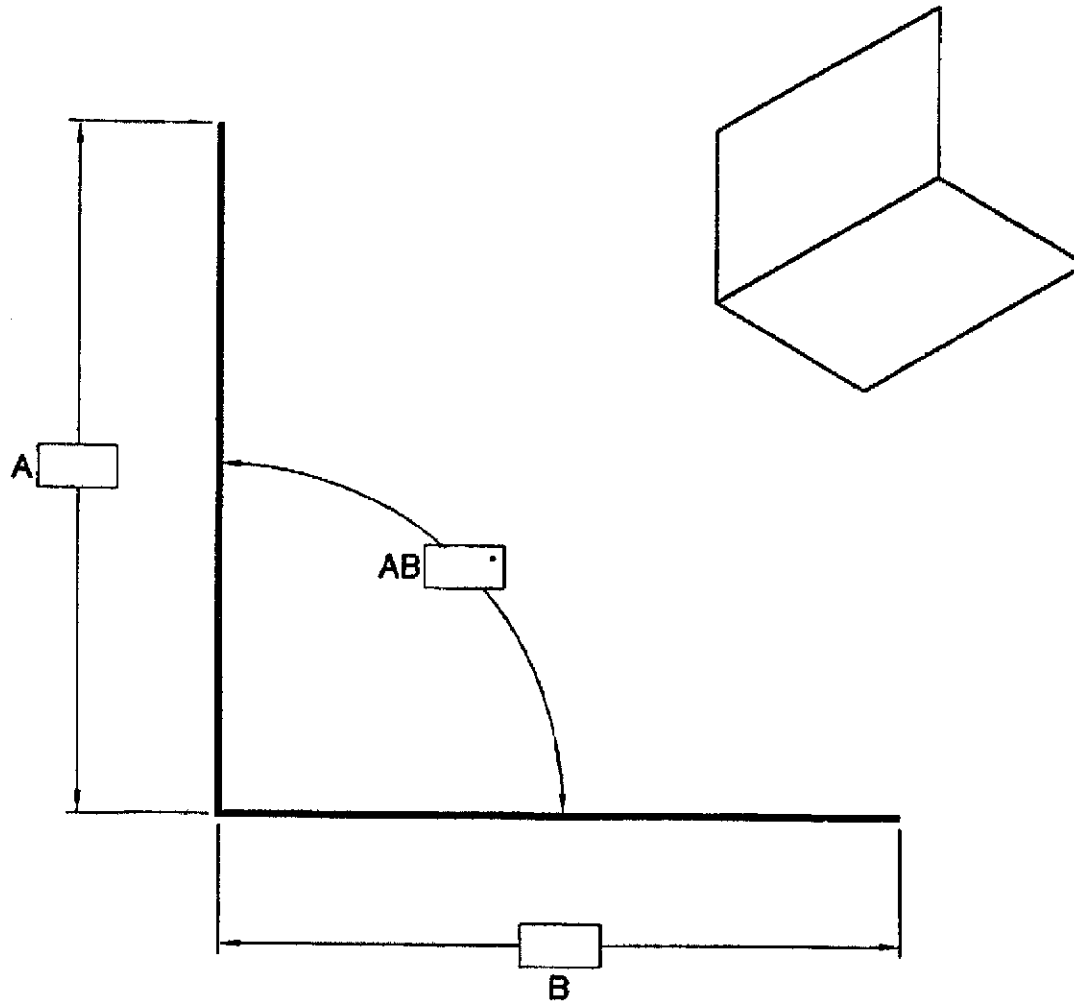
COMPANY						STR8 SHEET FABRICATIONS			
JOB NAME/#						4493 RUSSELL RD. STE. D MUKILTEO, WA 98275			
ORDERED BY:	NAME:		#:			PHONE: 425-789-1755		FAX: 425-789-1808	
						EMAIL: WILL@STR8FAB.COM			
MATERIAL									
GAUGE: CHECK ONE	18		20		22		24		26



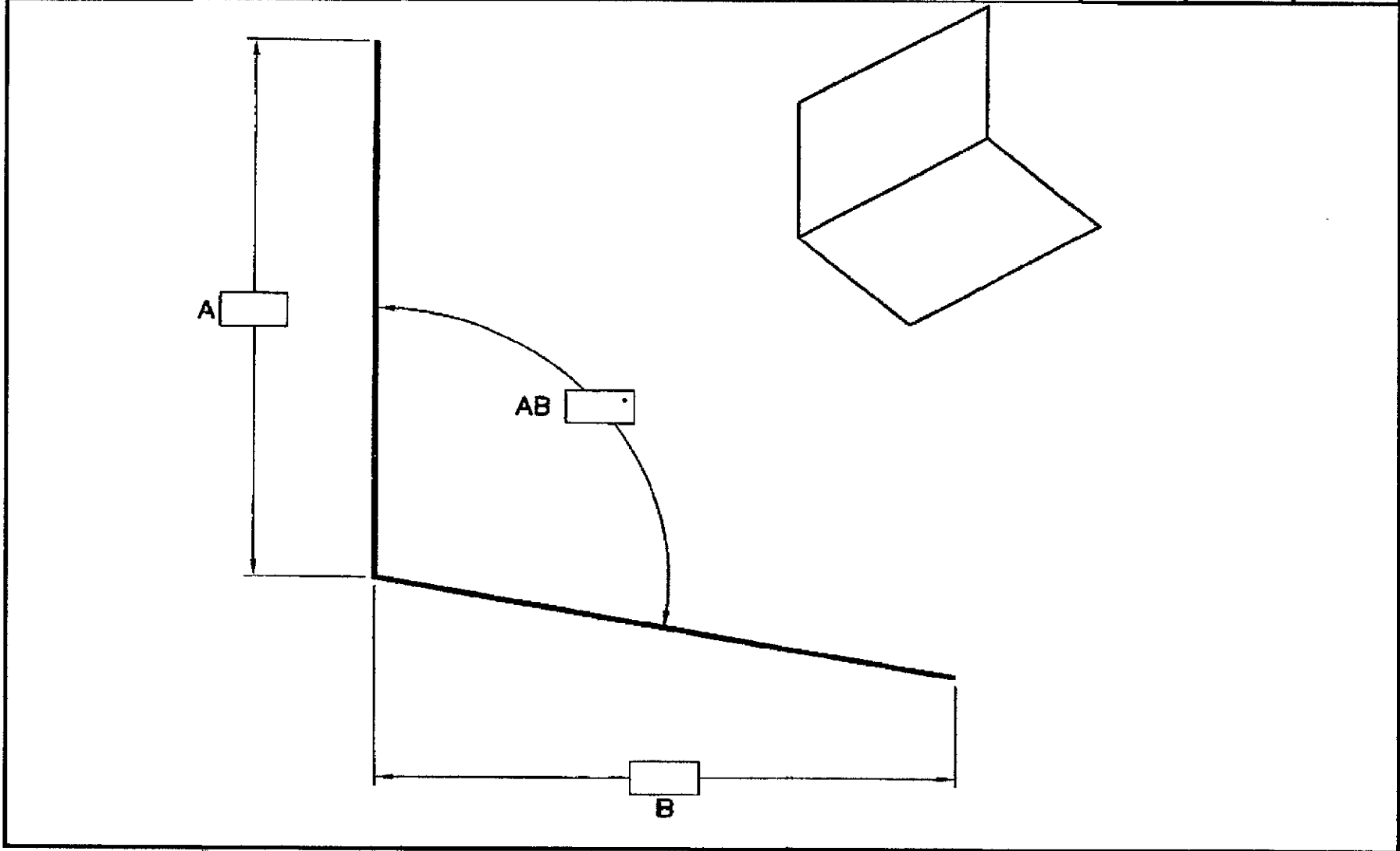
COMPANY						STR8 SHEET FABRICATIONS			
JOB NAME/#						4493 RUSSELL RD. STE. D MUKILTEO, WA 98275			
ORDERED BY:	NAME:		#:			PHONE: 425-789-1755 FAX: 425-789-1808			
						EMAIL: WILL@STR8FAB.COM			
MATERIAL									
GAUGE: CHECK ONE	18		20		22		24		26



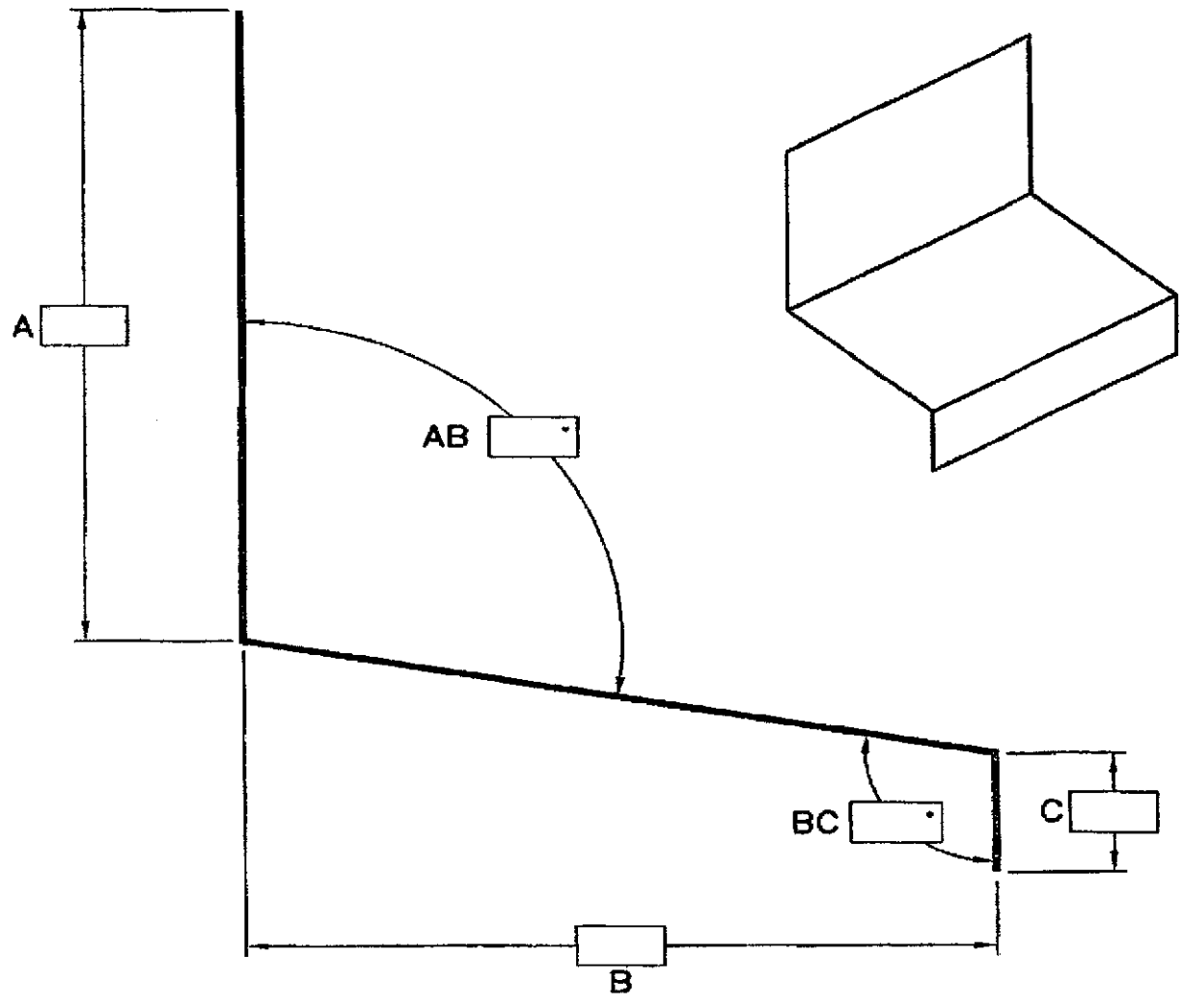
COMPANY							STR8 SHEET FABRICATIONS			
JOB NAME/#							4493 RUSSELL RD. STE. D MUKILTEO, WA 98275			
ORDERED BY:	NAME:				#:		PHONE: 425-789-1755		FAX: 425-789-1808	
							EMAIL: WILL@STR8FAB.COM			
MATERIAL										
GAUGE: CHECK ONE	18		20		22		24		26	



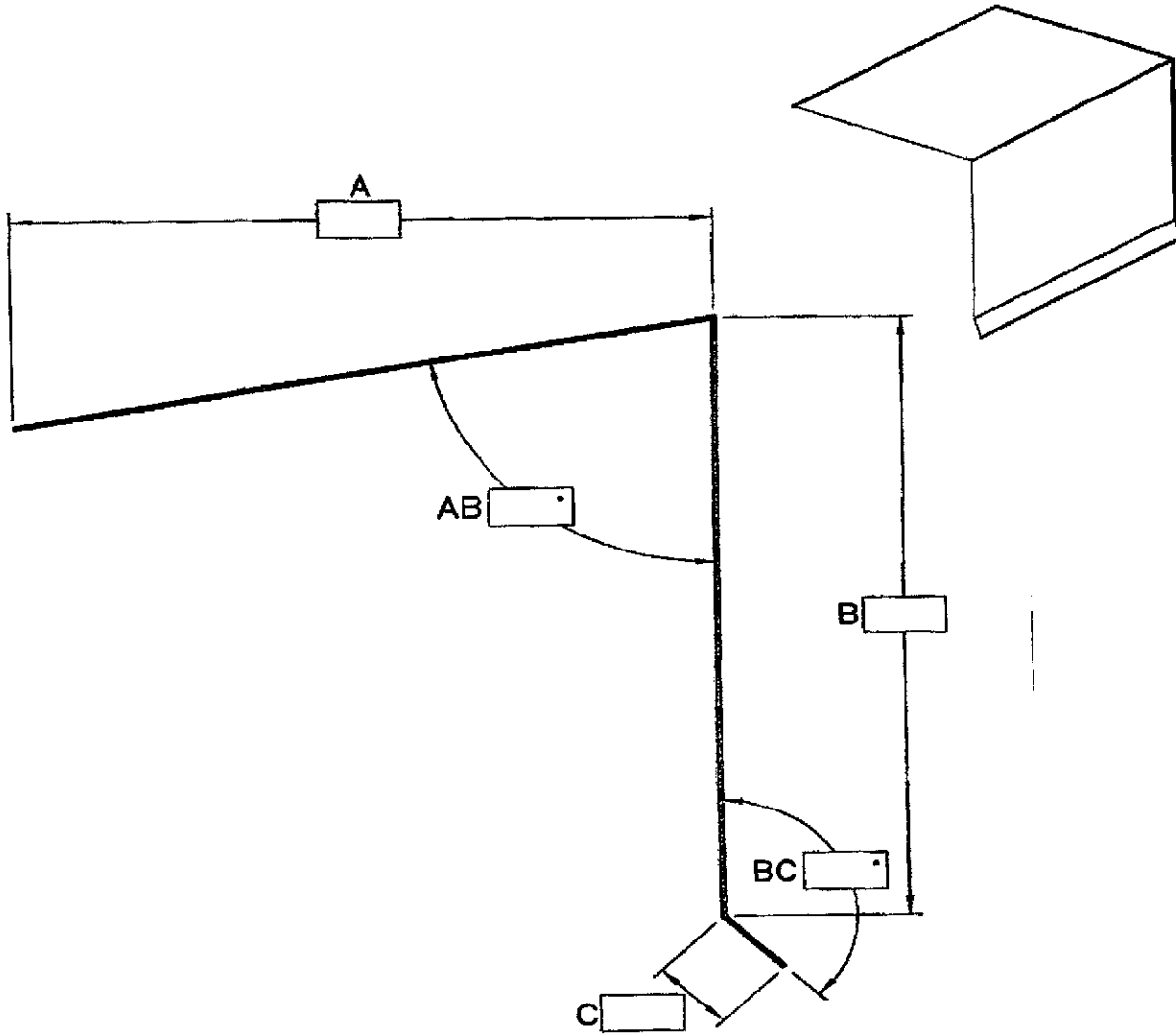
COMPANY						STR8 SHEET FABRICATIONS			
JOB NAME/#						4493 RUSSELL RD. STE. D MUKILTEO, WA 98275			
ORDERED BY:	NAME:		#:			PHONE: 425-789-1755 FAX: 425-789-1808			
						EMAIL: WILL@STR8FAB.COM			
MATERIAL									
GAUGE: CHECK ONE	18		20		22		24		26



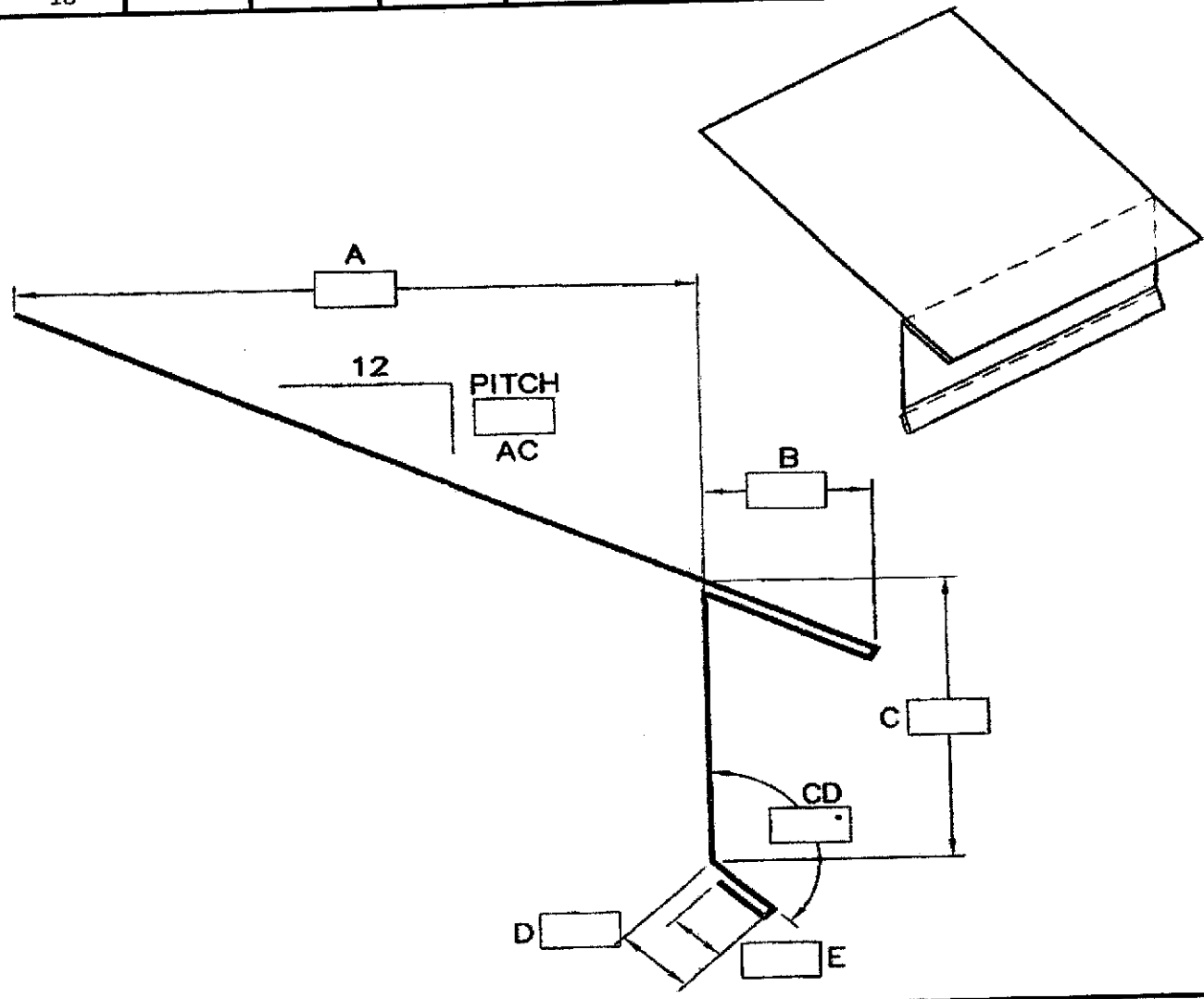
COMPANY							STR8 SHEET FABRICATIONS			
JOB NAME/#							4493 RUSSELL RD. STE. D MUKILTEO, WA 98275			
ORDERED BY:	NAME:		#:				PHONE: 425-789-1755 FAX: 425-789-1808			
							EMAIL: WILL@STR8FAB.COM			
MATERIAL										
GAUGE: CHECK ONE	18		20		22		24		26	



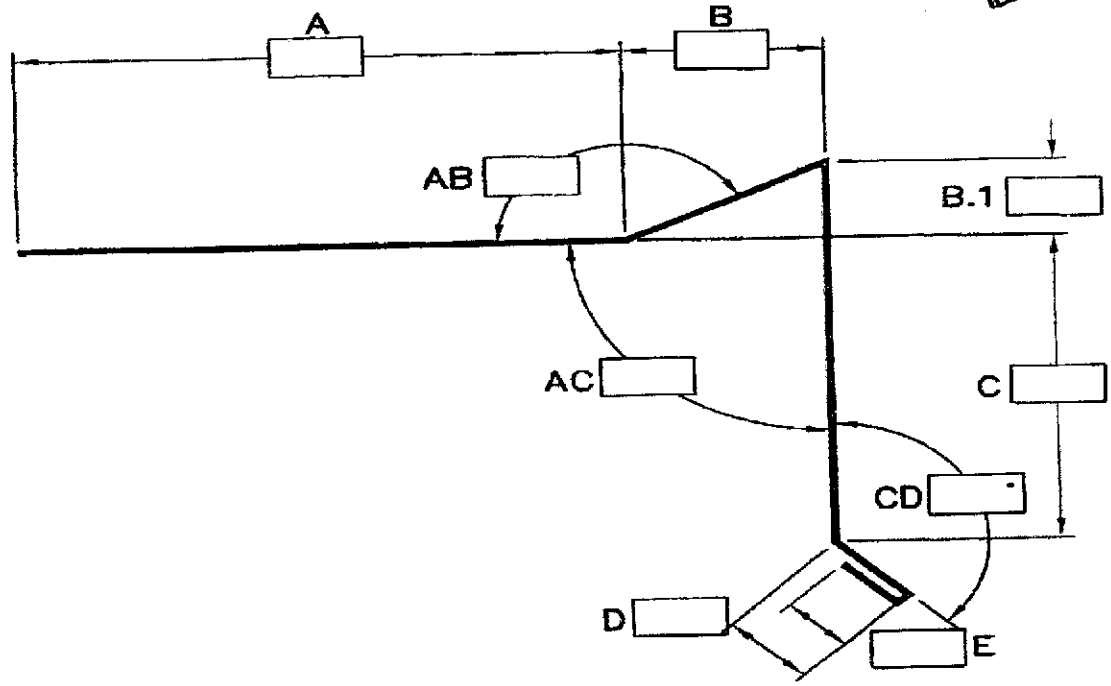
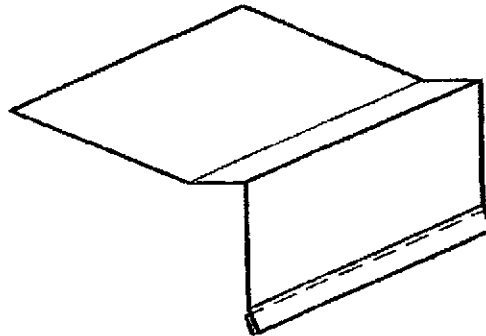
COMPANY						STR8 SHEET FABRICATIONS		
JOB NAME/#						4493 RUSSELL RD. STE. D MUKILTEO, WA 98275		
ORDERED BY:	NAME:		#:			PHONE: 425-789-1755 FAX: 425-789-1808		
						EMAIL: WILL@STR8FAB.COM		
MATERIAL								
GAUGE: CHECK ONE	18		20		22		24	26



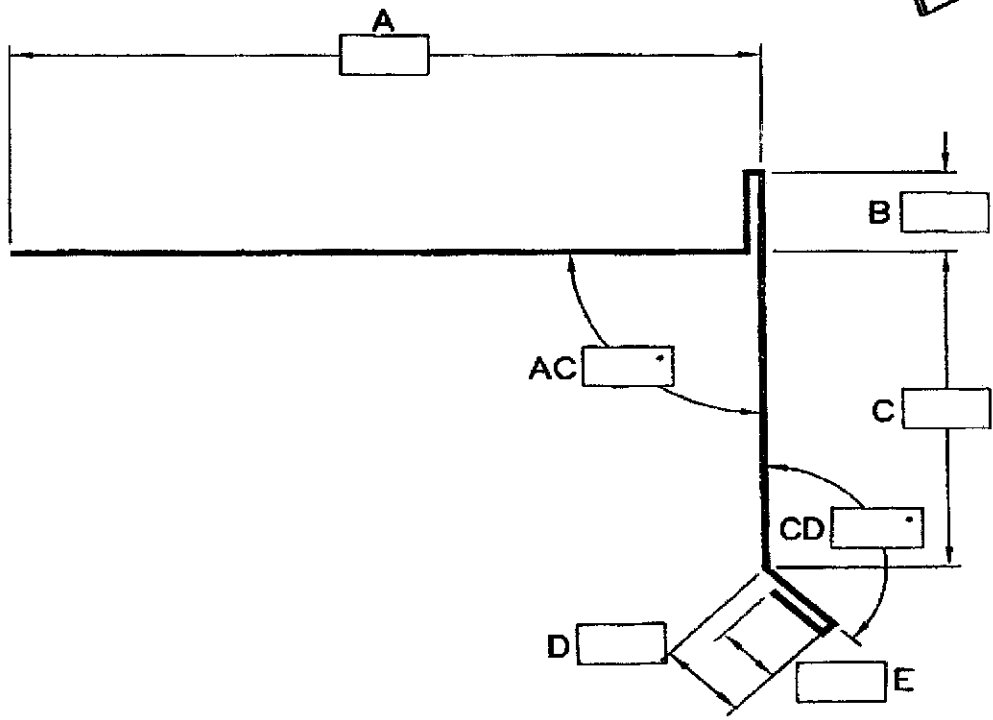
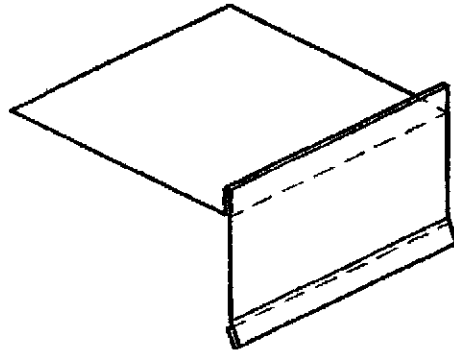
COMPANY		STR8 SHEET FABRICATIONS					
JOB NAME/#		4493 RUSSELL RD. STE. D MUKILTEO, WA 98275					
ORDERED BY:		NAME:		#:		PHONE: 425-789-1755 FAX: 425-789-1808	
MATERIAL		EMAIL: WILL@STR8FAB.COM					
GAUGE: CHECK ONE		18	20	22	24	26	



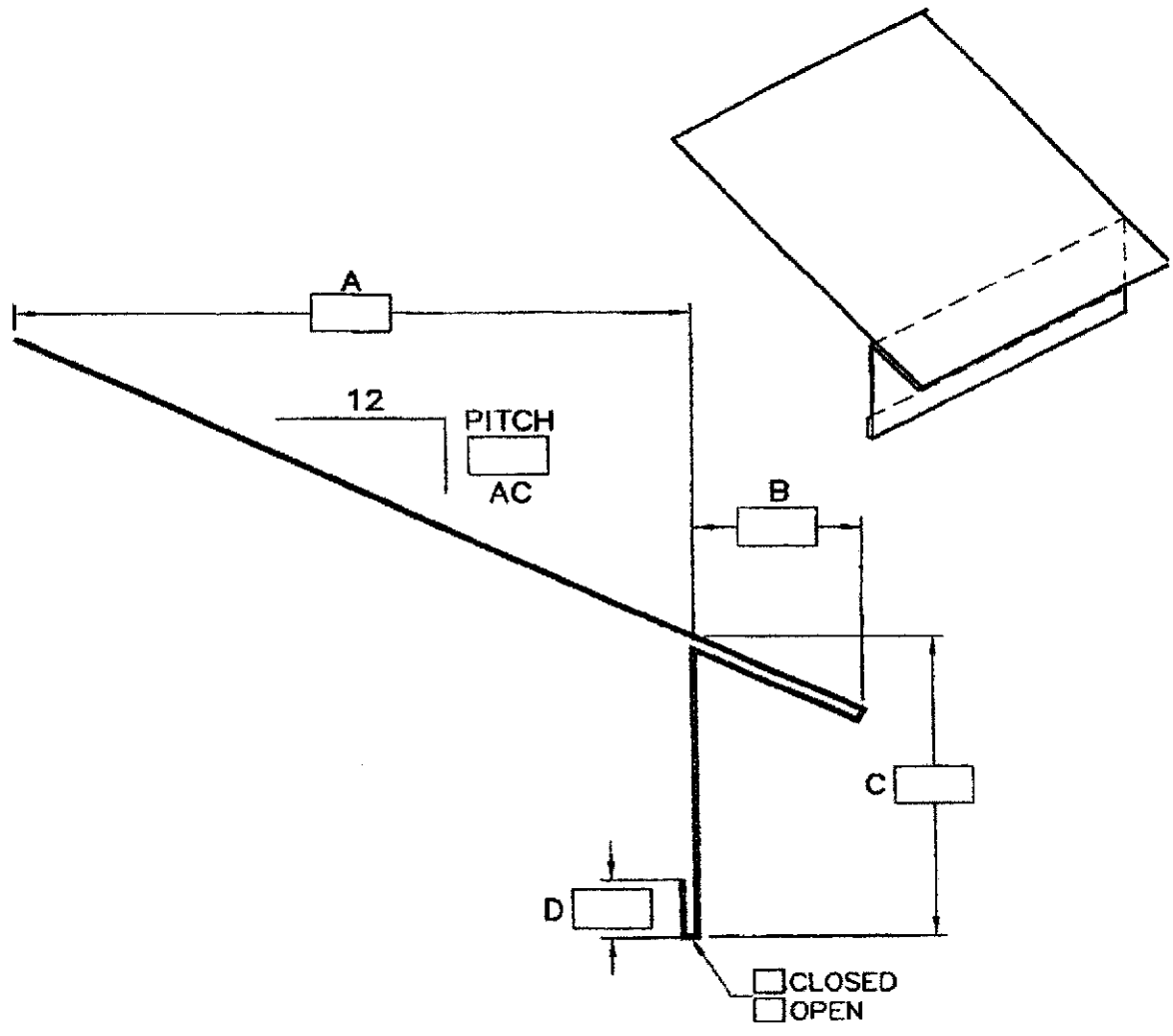
COMPANY		STR8 SHEET FABRICATIONS					
JOB NAME/#		4493 RUSSELL RD. STE. D MUKILTEO, WA 98275					
ORDERED BY:		NAME:		#:		PHONE: 425-789-1755 FAX: 425-789-1808	
MATERIAL		EMAIL: WILL@STR8FAB.COM					
GAUGE: CHECK ONE	18		20		22		24
							26



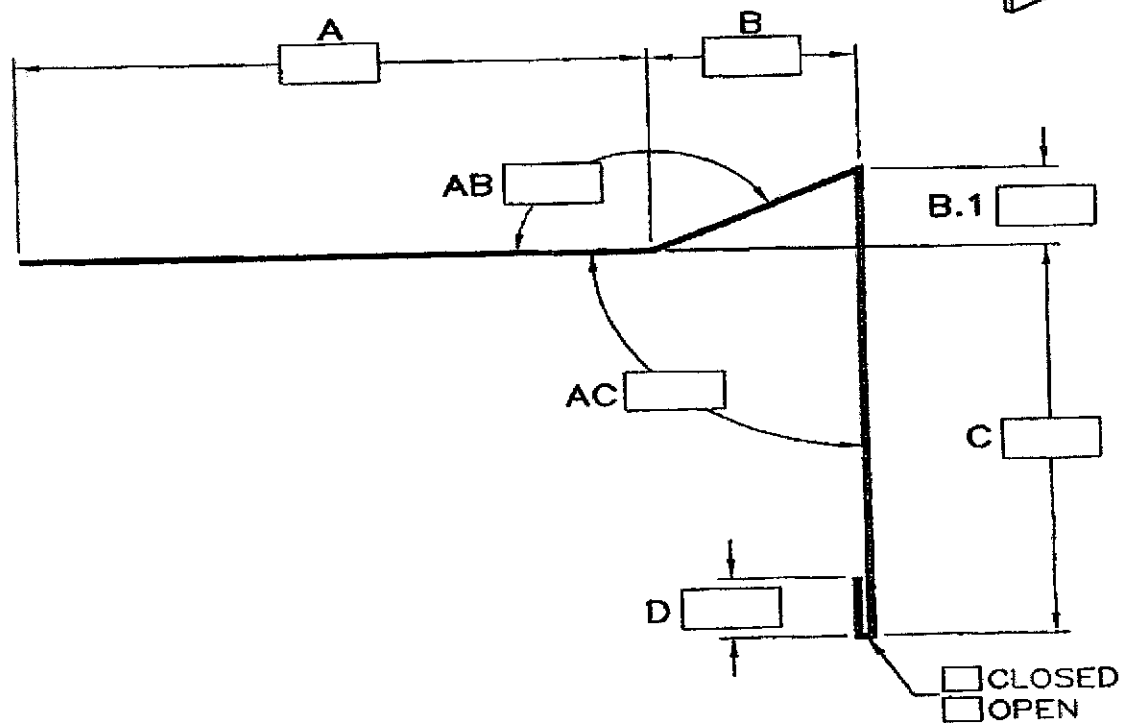
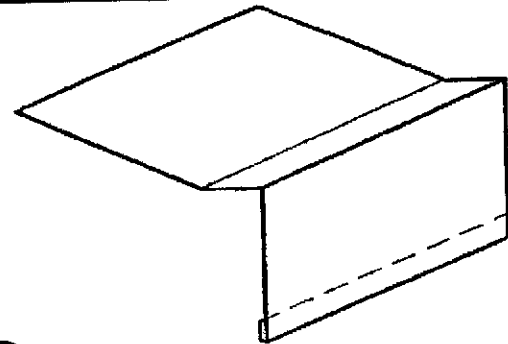
COMPANY						STR8 SHEET FABRICATIONS				
JOB NAME/#						4493 RUSSELL RD. STE. D MUKILTEO, WA 98275				
ORDERED BY:	NAME:		#:			PHONE: 425-789-1755 FAX: 425-789-1808				
						EMAIL: WILL@STR8FAB.COM				
MATERIAL										
GAUGE: CHECK ONE	18		20		22		24		26	



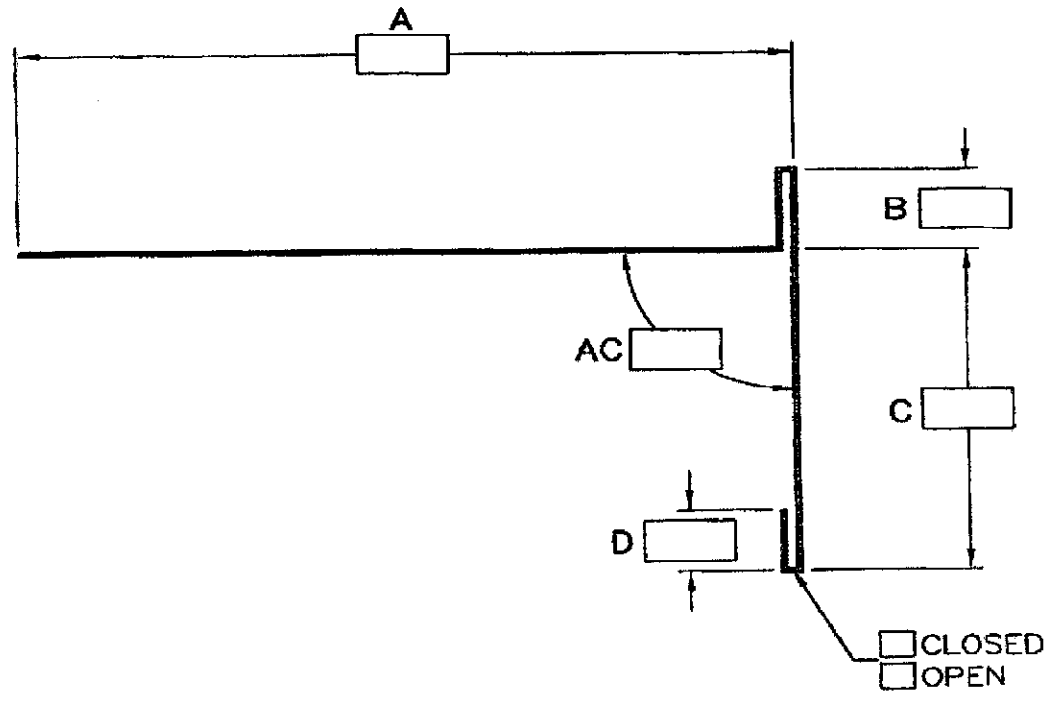
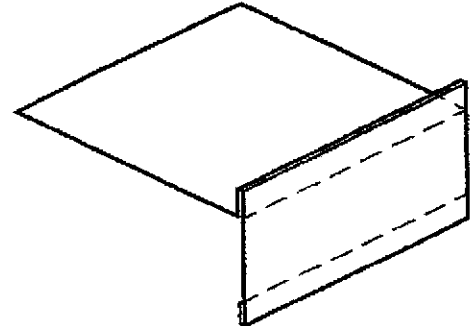
COMPANY						STR8 SHEET FABRICATIONS				
JOB NAME/#						4493 RUSSELL RD. STE. D MUKILTEO, WA 98275				
ORDERED BY:	NAME:		#:			PHONE: 425-789-1755 FAX: 425-789-1808				
						EMAIL: WILL@STR8FAB.COM				
MATERIAL										
GAUGE: CHECK ONE	18		20		22		24		26	



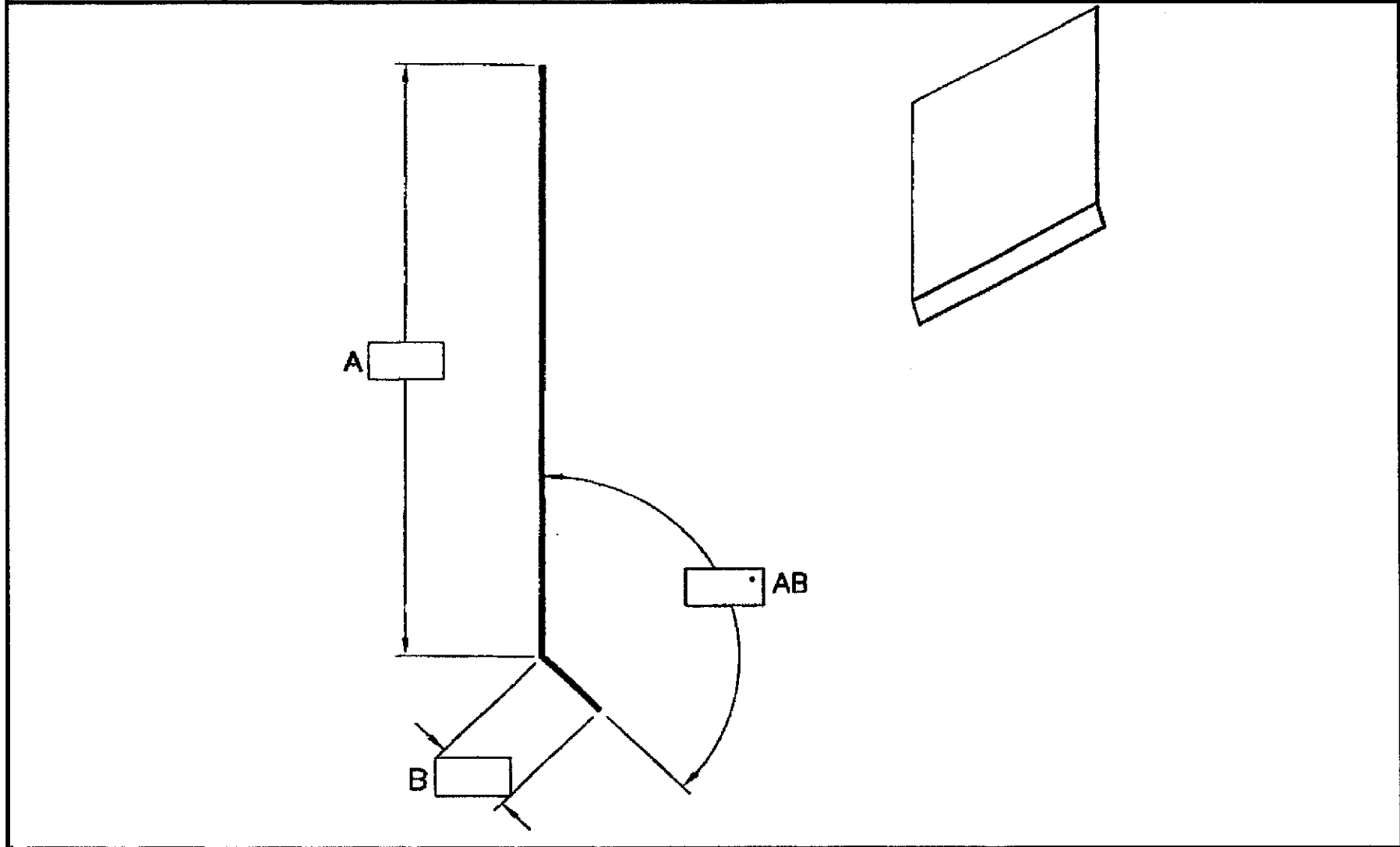
COMPANY		STR8 SHEET FABRICATIONS					
JOB NAME/#		4493 RUSSELL RD. STE. D MUKILTEO, WA 98275					
ORDERED BY:		NAME:		#:		PHONE: 425-789-1755 FAX: 425-789-1808	
MATERIAL		EMAIL: WILL@STR8FAB.COM					
GAUGE: CHECK ONE	18		20		22		24
							26



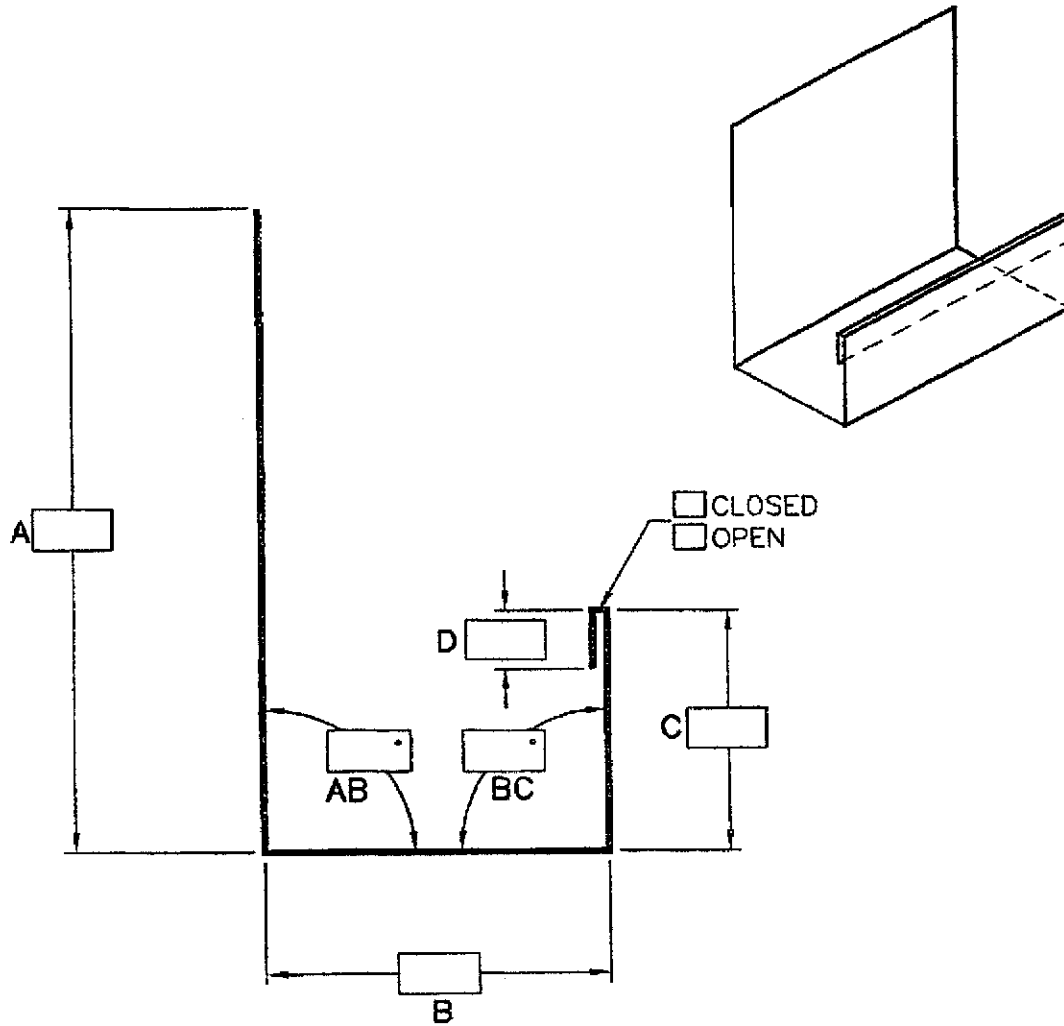
COMPANY						STR8 SHEET FABRICATIONS		
JOB NAME/#						4493 RUSSELL RD. STE. D MUKILTEO, WA 98275		
ORDERED BY:	NAME:		#:			PHONE: 425-789-1755 FAX: 425-789-1808		
						EMAIL: WILL@STR8FAB.COM		
MATERIAL								
GAUGE: CHECK ONE	18		20		22		24	26



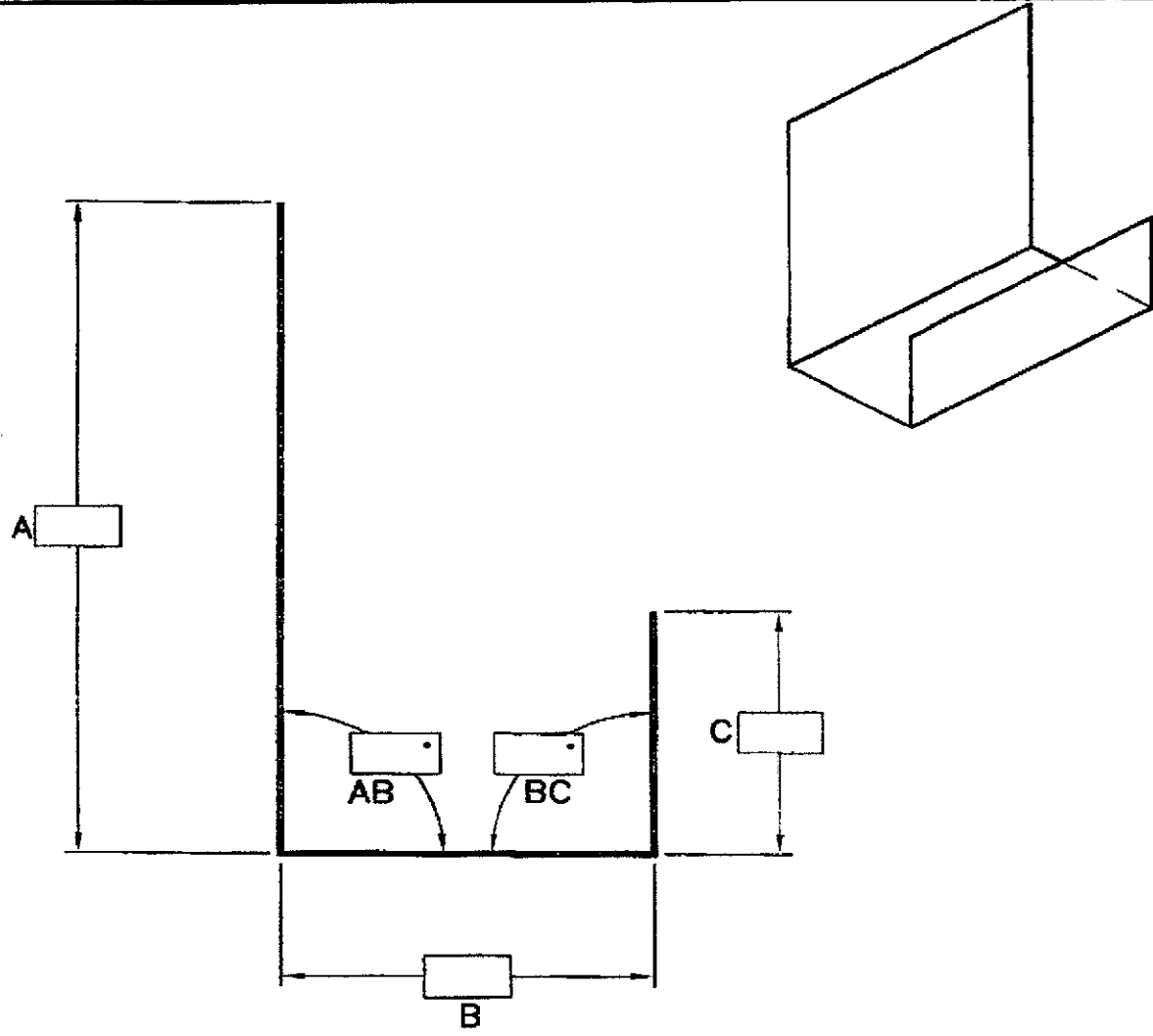
COMPANY							STR8 SHEET FABRICATIONS					
JOB NAME/#							4493 RUSSELL RD. STE. D MUKILTEO, WA 98275					
ORDERED BY:	NAME:				#:		PHONE: 425-789-1755		FAX: 425-789-1808			
						EMAIL: WILL@STR8FAB.COM						
MATERIAL												
GAUGE: CHECK ONE	18		20		22		24		26			



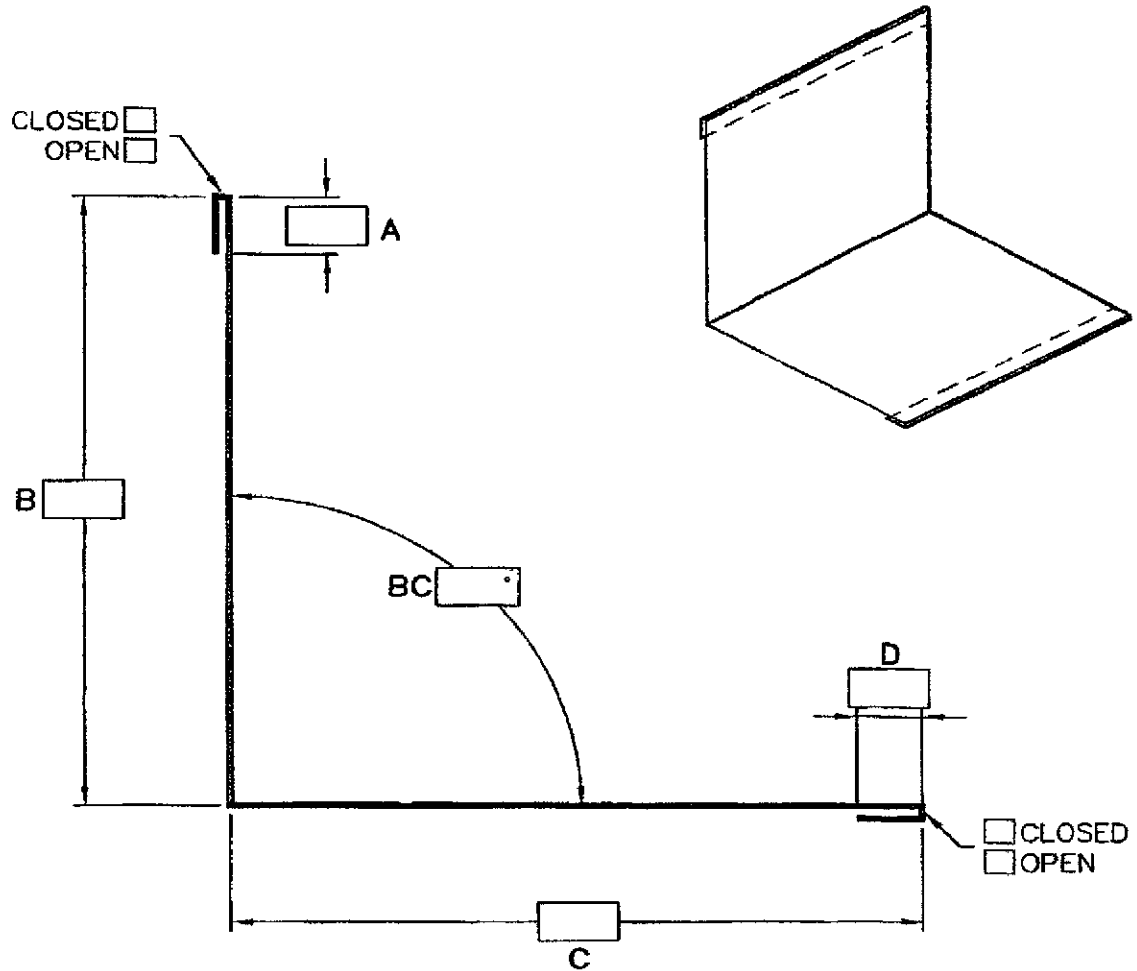
COMPANY						STR8 SHEET FABRICATIONS				
JOB NAME/#						4493 RUSSELL RD. STE. D MUKILTEO, WA 98275				
ORDERED BY:	NAME:		#:			PHONE: 425-789-1755 FAX: 425-789-1808				
						EMAIL: WILL@STR8FAB.COM				
MATERIAL										
GAUGE: CHECK ONE	18		20		22		24		26	



COMPANY						STR8 SHEET FABRICATIONS				
JOB NAME/#						4493 RUSSELL RD. STE. D MUKILTEO, WA 98275				
ORDERED BY:	NAME:		#:			PHONE: 425-789-1755 FAX: 425-789-1808				
						EMAIL: WILL@STR8FAB.COM				
MATERIAL										
GAUGE: CHECK ONE	18		20		22		24		26	

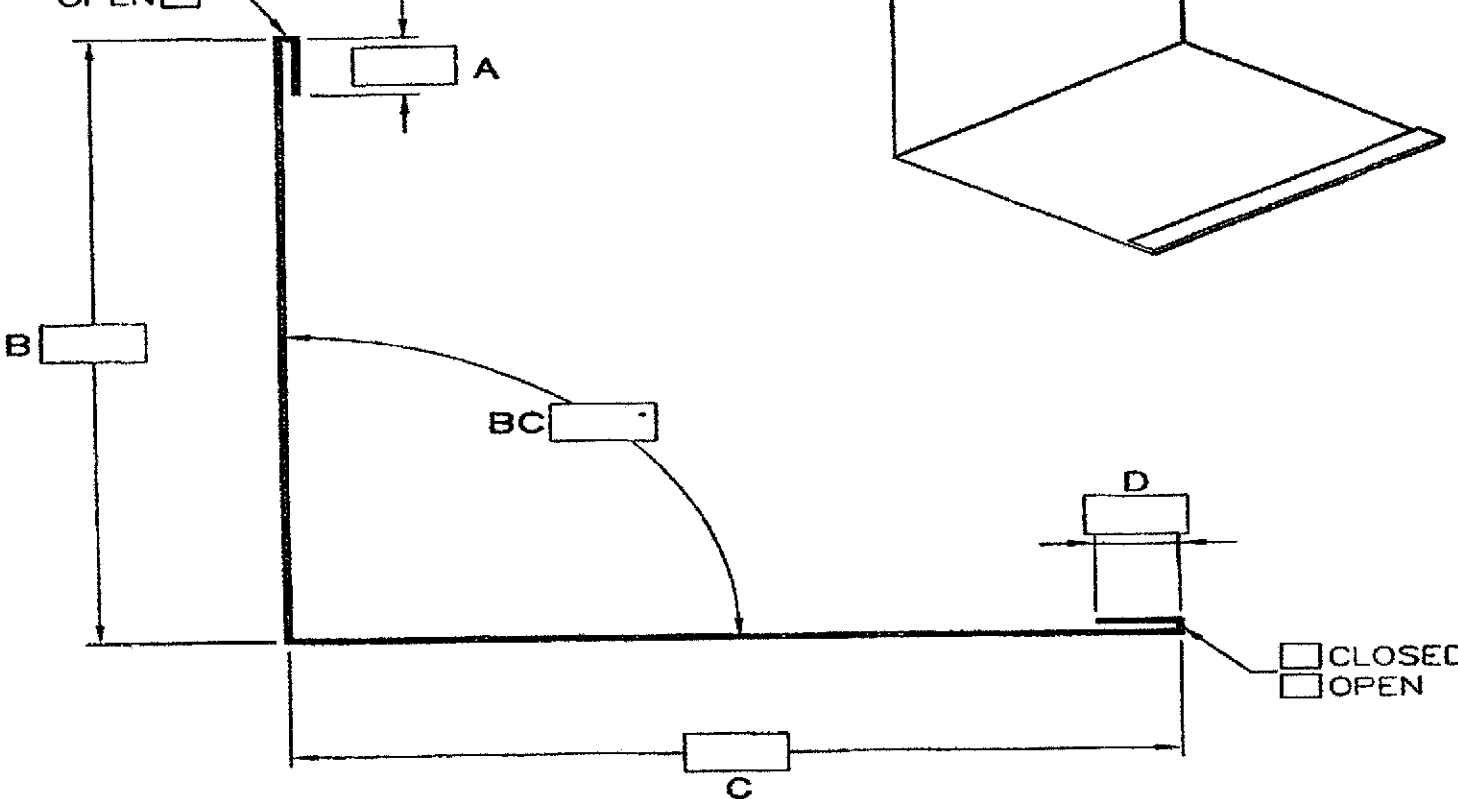


COMPANY							STR8 SHEET FABRICATIONS					
JOB NAME/#							4493 RUSSELL RD. STE. D MUKILTEO, WA 98275					
ORDERED BY:	NAME:				#:		PHONE: 425-789-1755		FAX: 425-789-1808			
						EMAIL: WILL@STR8FAB.COM						
MATERIAL												
GAUGE: CHECK ONE	18		20		22		24		26			

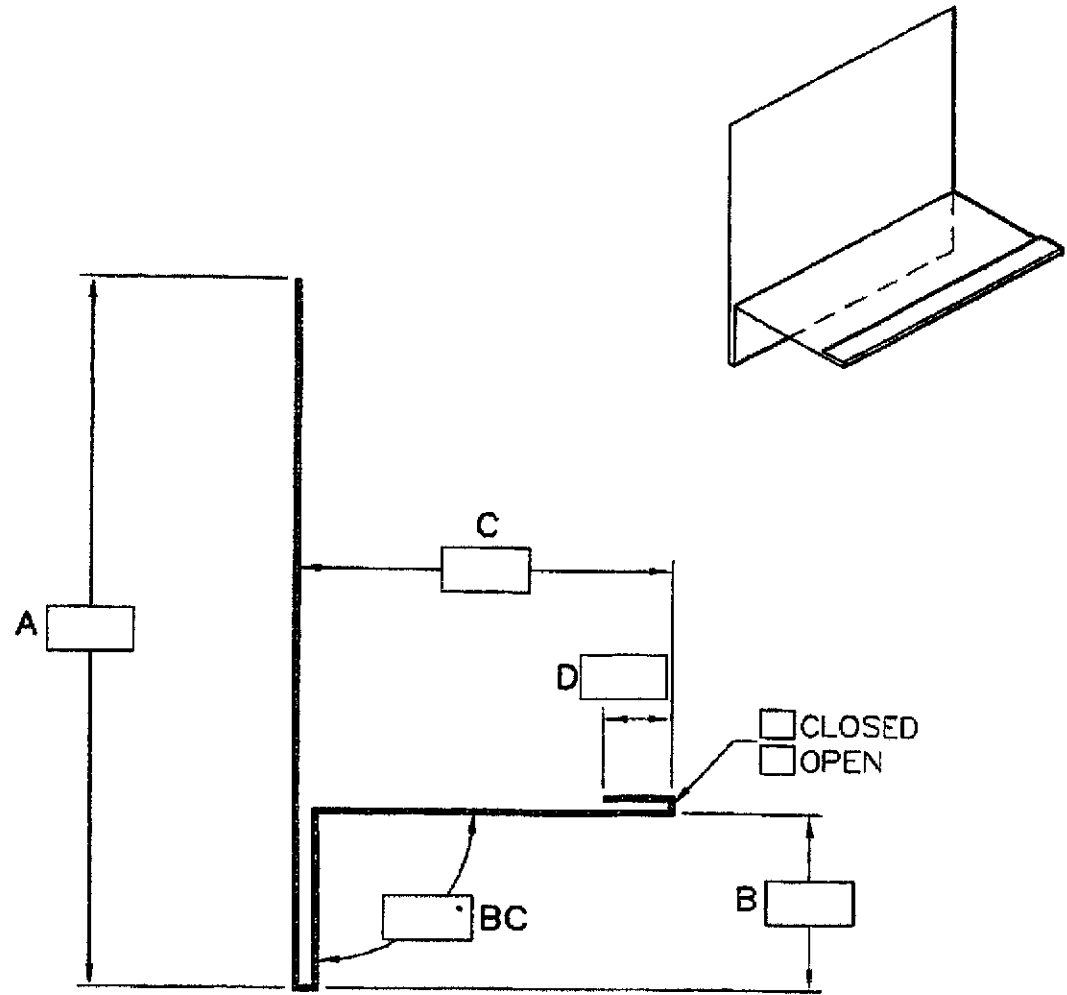


COMPANY						STR8 SHEET FABRICATIONS		
JOB NAME/#						4493 RUSSELL RD. STE. D MUKILTEO, WA 98275		
ORDERED BY:	NAME:		#:		PHONE: 425-789-1755 FAX: 425-789-1808			
						EMAIL: WILL@STR8FAB.COM		
MATERIAL								
GAUGE: CHECK ONE	18		20		22		24	26

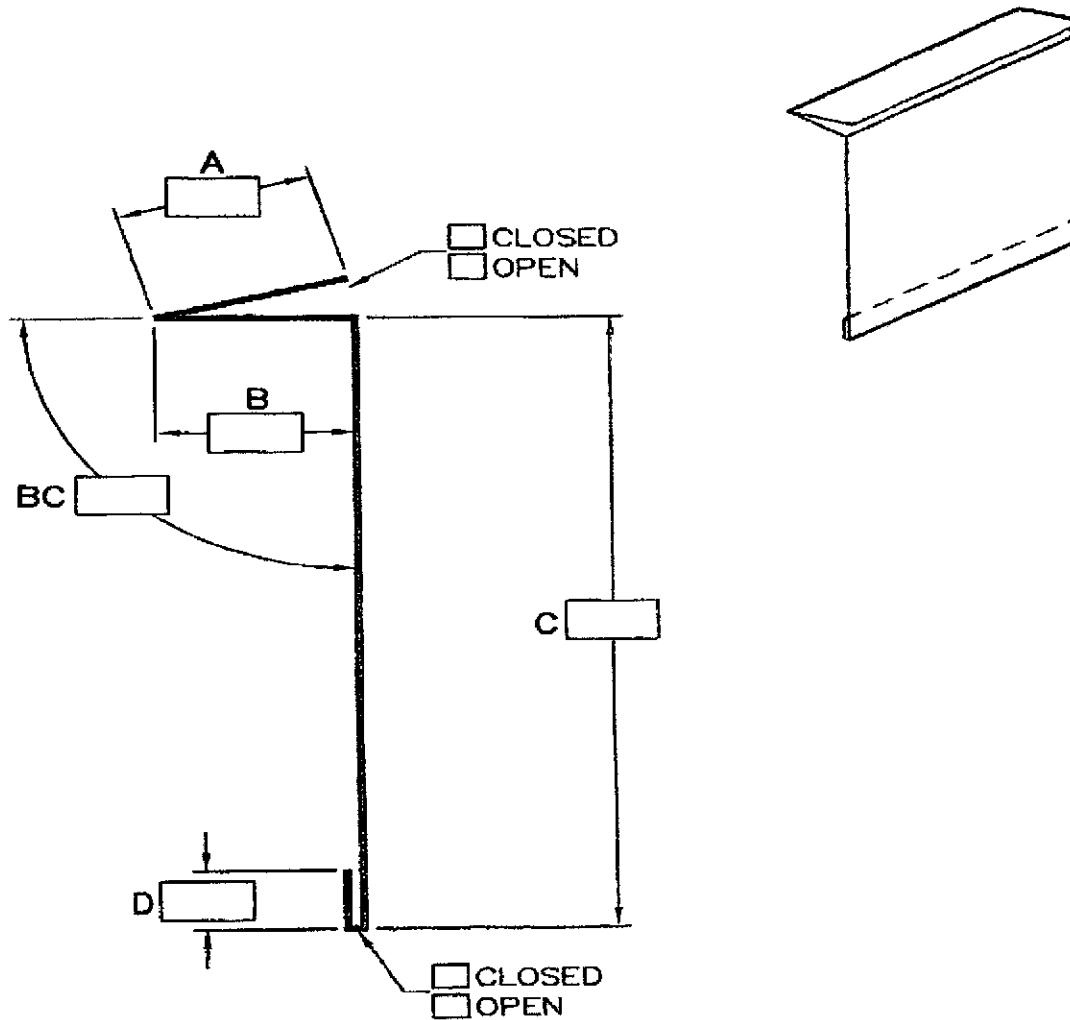
CLOSED
 OPEN



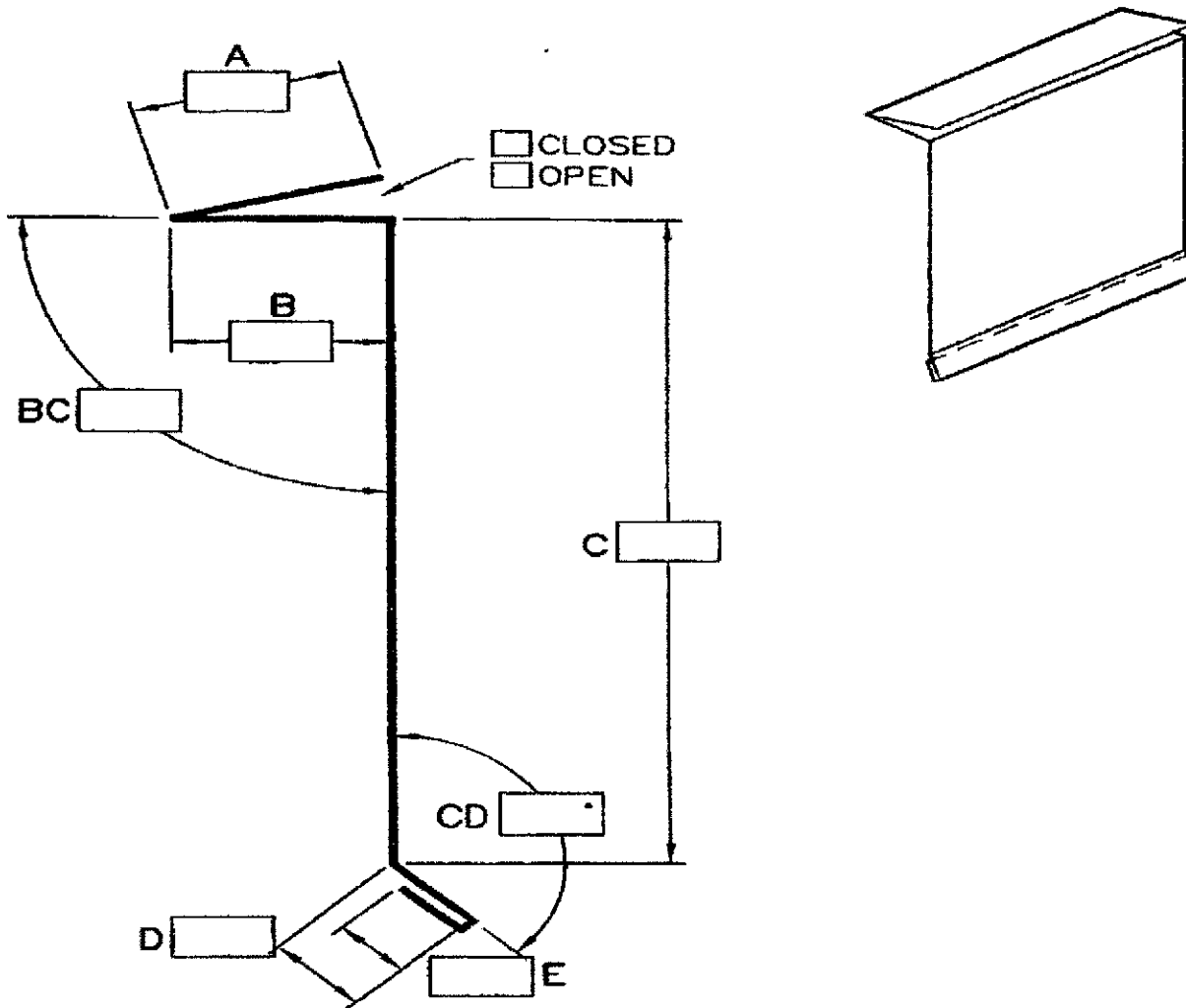
COMPANY						STR8 SHEET FABRICATIONS				
JOB NAME/#						4493 RUSSELL RD. STE. D MUKILTEO, WA 98275				
ORDERED BY:	NAME:		#:			PHONE: 425-789-1755 FAX: 425-789-1808				
						EMAIL: WILL@STR8FAB.COM				
MATERIAL										
GAUGE: CHECK ONE	18		20		22		24		26	



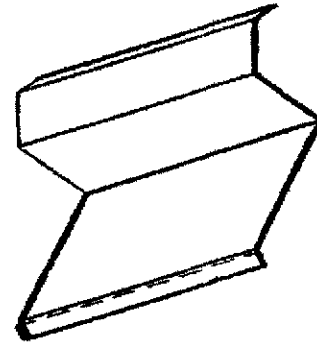
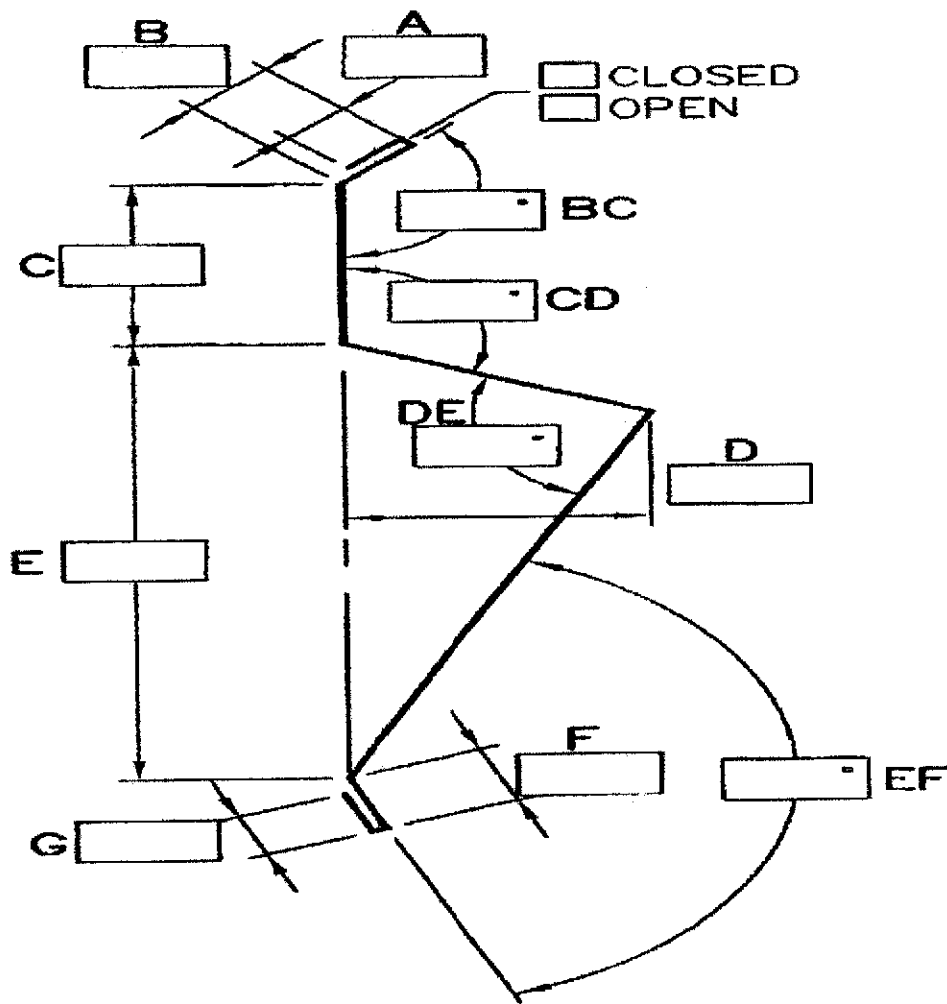
COMPANY						STR8 SHEET FABRICATIONS		
JOB NAME/#						4493 RUSSELL RD. STE. D MUKILTEO, WA 98275		
ORDERED BY:	NAME:		#:			PHONE: 425-789-1755 FAX: 425-789-1808		
						EMAIL: WILL@STR8FAB.COM		
MATERIAL								
GAUGE: CHECK ONE	18	20	22	24	26			



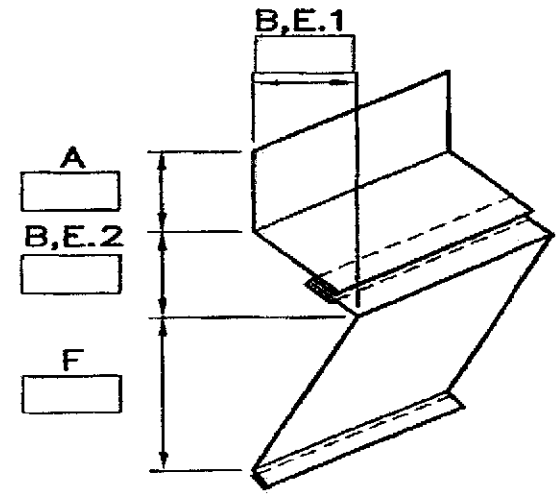
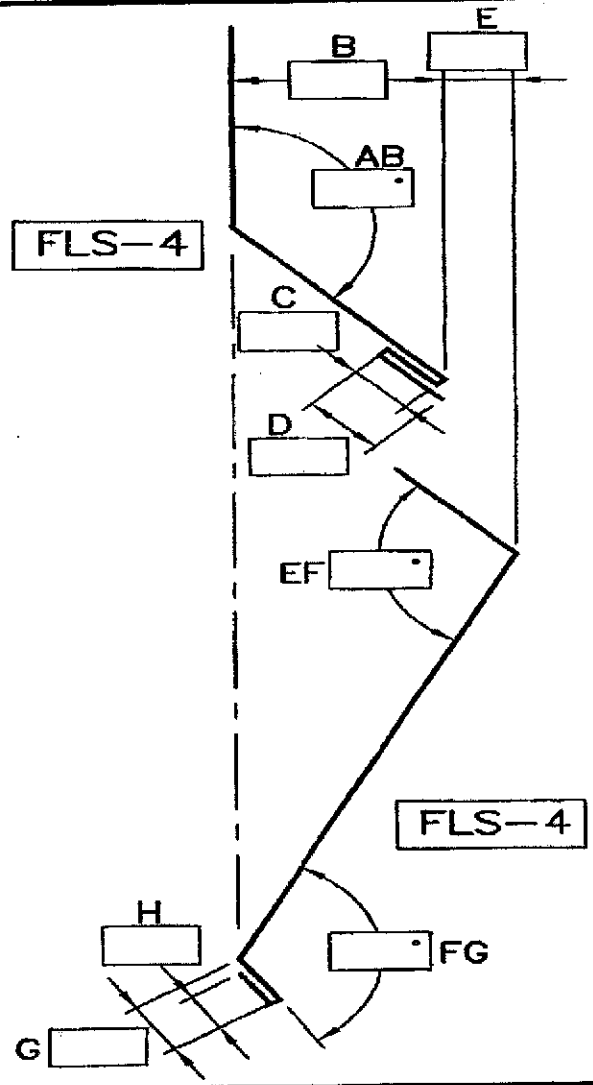
COMPANY						STR8 SHEET FABRICATIONS		
JOB NAME/#						4493 RUSSELL RD. STE. D MUKILTEO, WA 98275		
ORDERED BY:	NAME:		#:		PHONE: 425-789-1755 FAX: 425-789-1808			
MATERIAL						EMAIL: WILL@STR8FAB.COM		
GAUGE: CHECK ONE	18		20		22		24	26



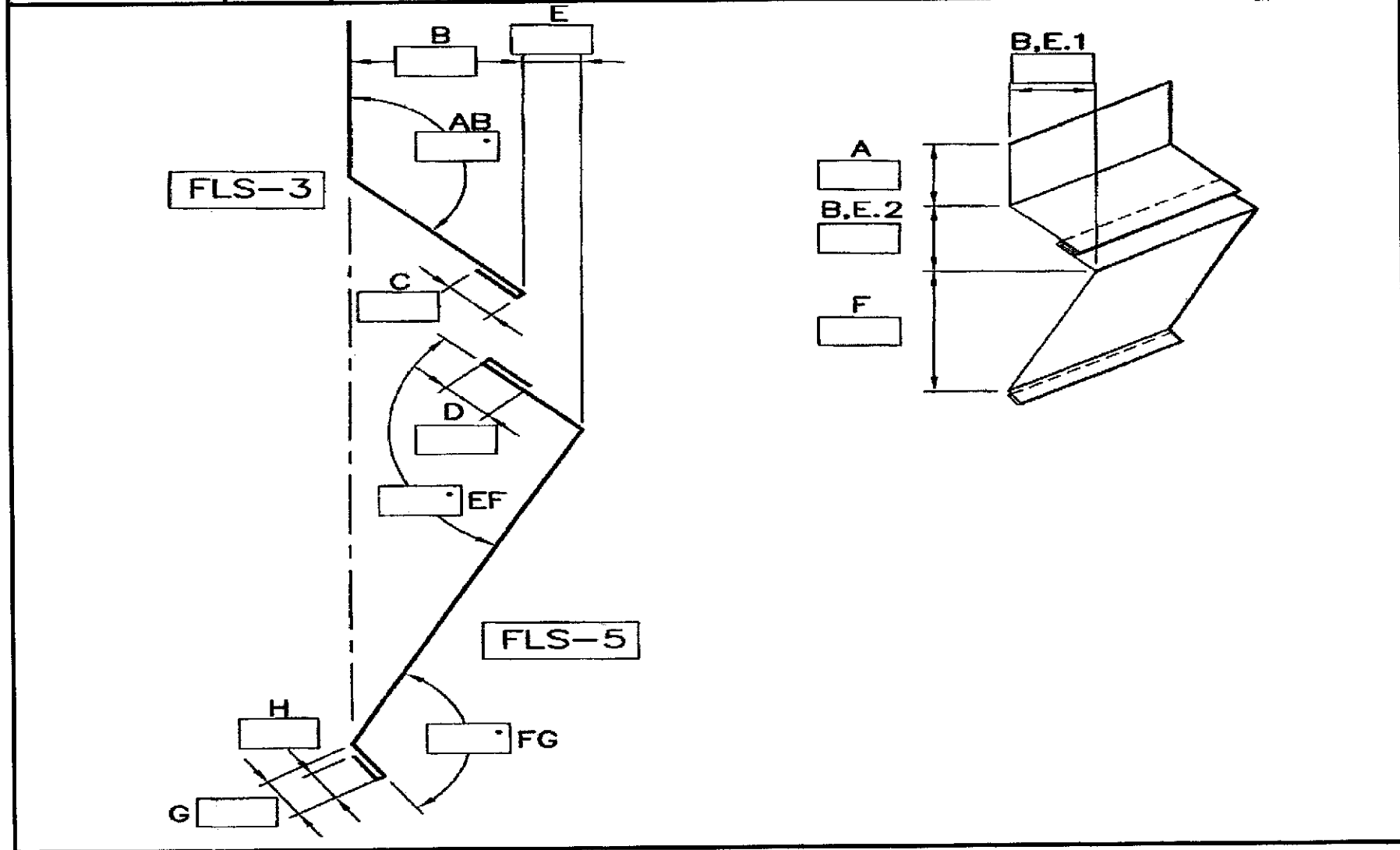
COMPANY						STR8 SHEET FABRICATIONS				
JOB NAME/#						4493 RUSSELL RD. STE. D MUKILTEO, WA 98275				
ORDERED BY:	NAME:		#:			PHONE: 425-789-1755 FAX: 425-789-1808				
						EMAIL: WILL@STR8FAB.COM				
MATERIAL										
GAUGE: CHECK ONE	18		20		22		24		26	



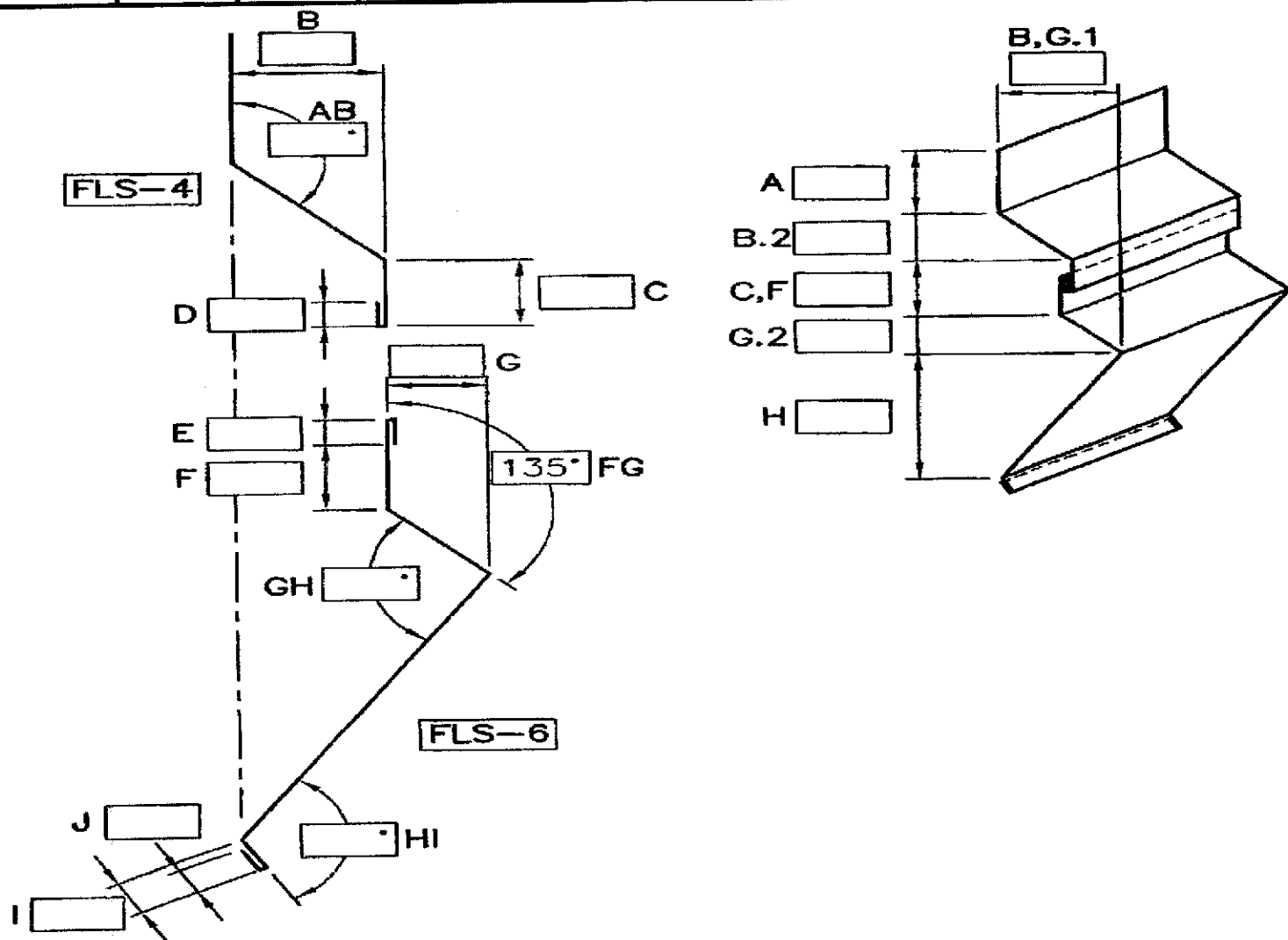
COMPANY						STR8 SHEET FABRICATIONS			
JOB NAME/#						4493 RUSSELL RD. STE. D MUKILTEO, WA 98275			
ORDERED BY:	NAME:		#:			PHONE: 425-789-1755		FAX: 425-789-1808	
MATERIAL						EMAIL: WILL@STR8FAB.COM			
GAUGE: CHECK ONE	18		20		22		24		26



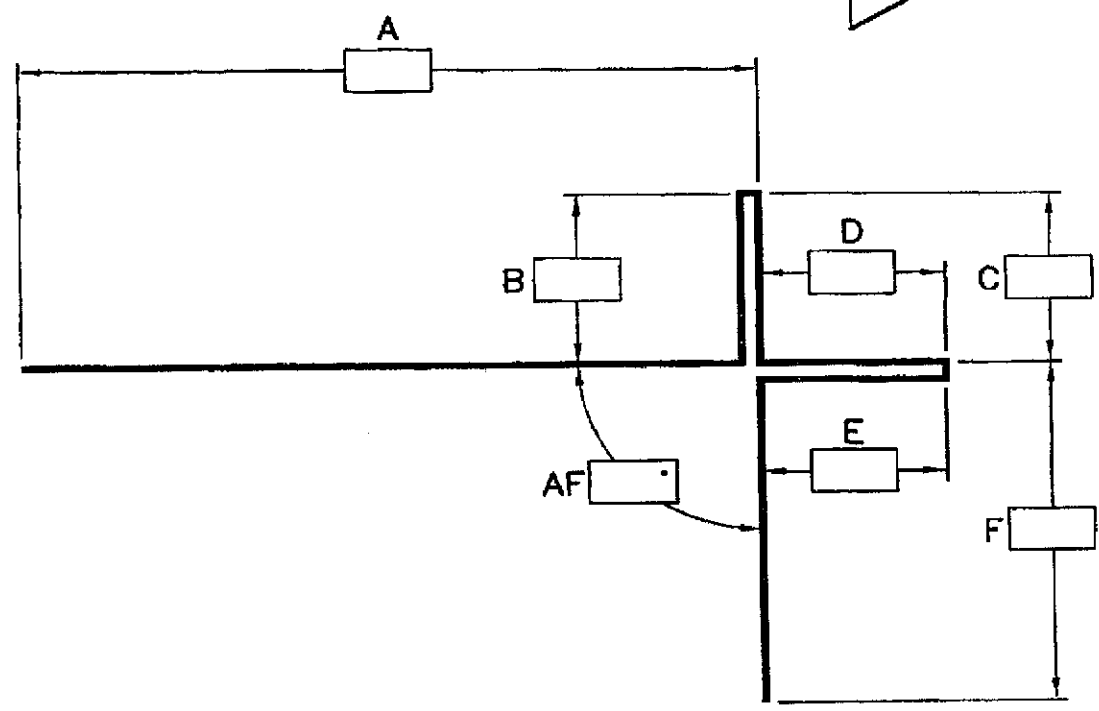
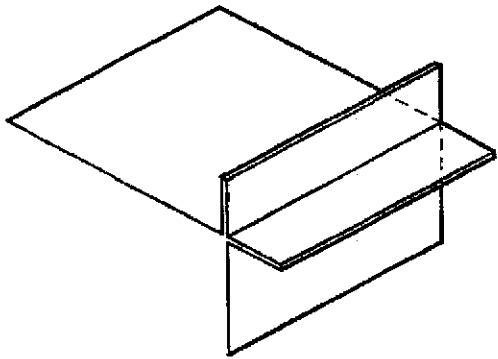
COMPANY					STR8 SHEET FABRICATIONS				
JOB NAME/#					4493 RUSSELL RD. STE. D MUKILTEO, WA 98275				
ORDERED BY:	NAME:		#:		PHONE: 425-789-1755 FAX: 425-789-1808				
					EMAIL: WILL@STR8FAB.COM				
MATERIAL									
GAUGE: CHECK ONE	18		20		22		24	26	



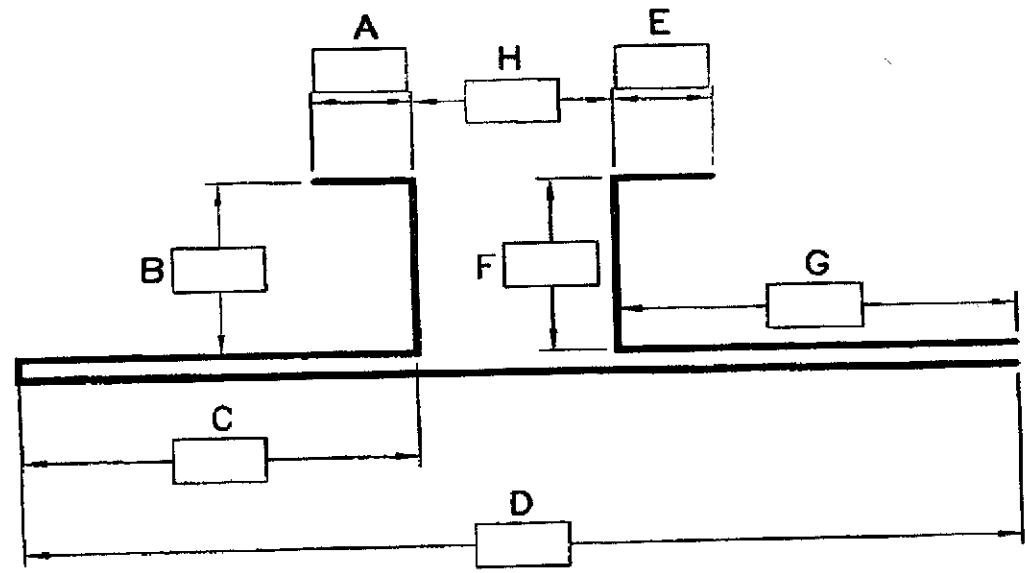
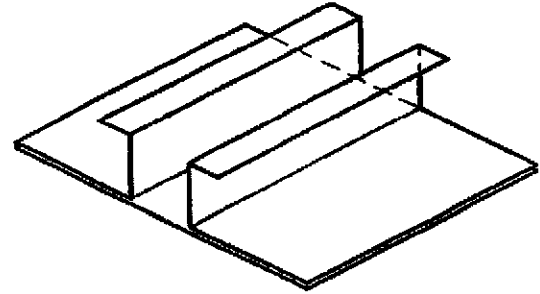
COMPANY						STR8 SHEET FABRICATIONS				
JOB NAME/#						4493 RUSSELL RD. STE. D MUKILTEO, WA 98275				
ORDERED BY:	NAME:		#:			PHONE: 425-789-1755 FAX: 425-789-1808				
						EMAIL: WILL@STR8FAB.COM				
MATERIAL										
GAUGE: CHECK ONE	18		20		22		24		26	



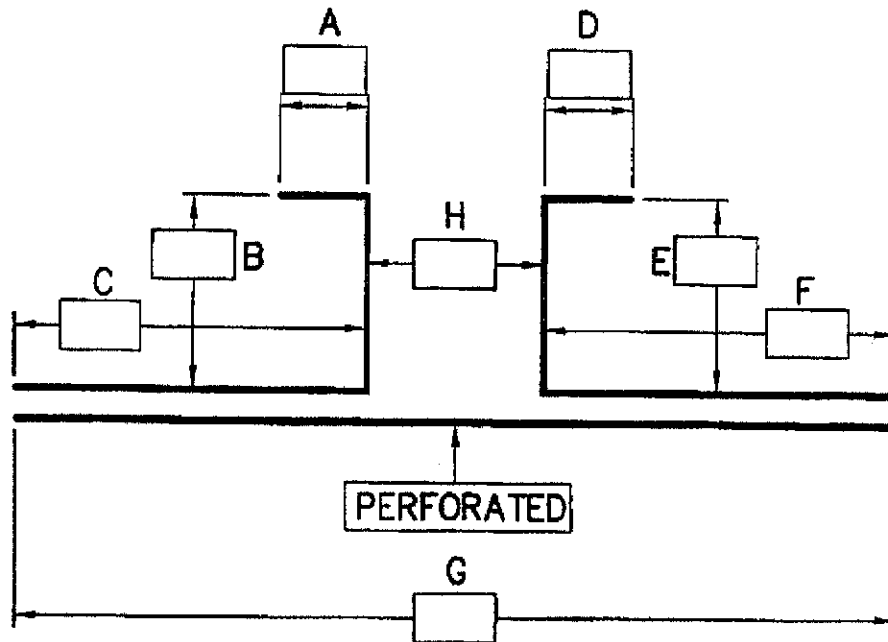
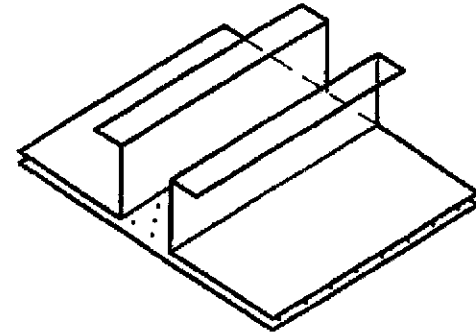
COMPANY						STR8 SHEET FABRICATIONS			
JOB NAME/#						4493 RUSSELL RD. STE. D MUKILTEO, WA 98275			
ORDERED BY:	NAME:		#:			PHONE: 425-789-1755 FAX: 425-789-1808			
						EMAIL: WILL@STR8FAB.COM			
MATERIAL									
GAUGE: CHECK ONE	18		20		22		24		26



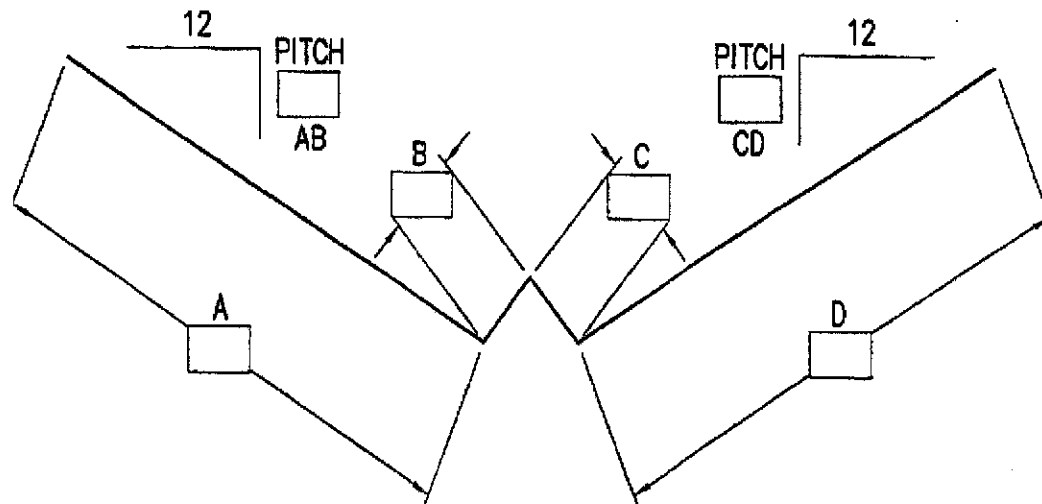
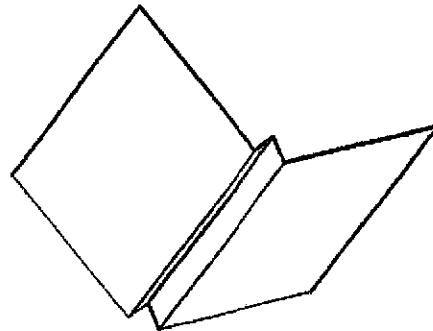
COMPANY						STR8 SHEET FABRICATIONS		
JOB NAME/#						4493 RUSSELL RD. STE. D MUKILTEO, WA 98275		
ORDERED BY:	NAME:		#:		PHONE: 425-789-1755 FAX: 425-789-1808			
						EMAIL: WILL@STR8FAB.COM		
MATERIAL								
GAUGE: CHECK ONE	18		20		22		24	26



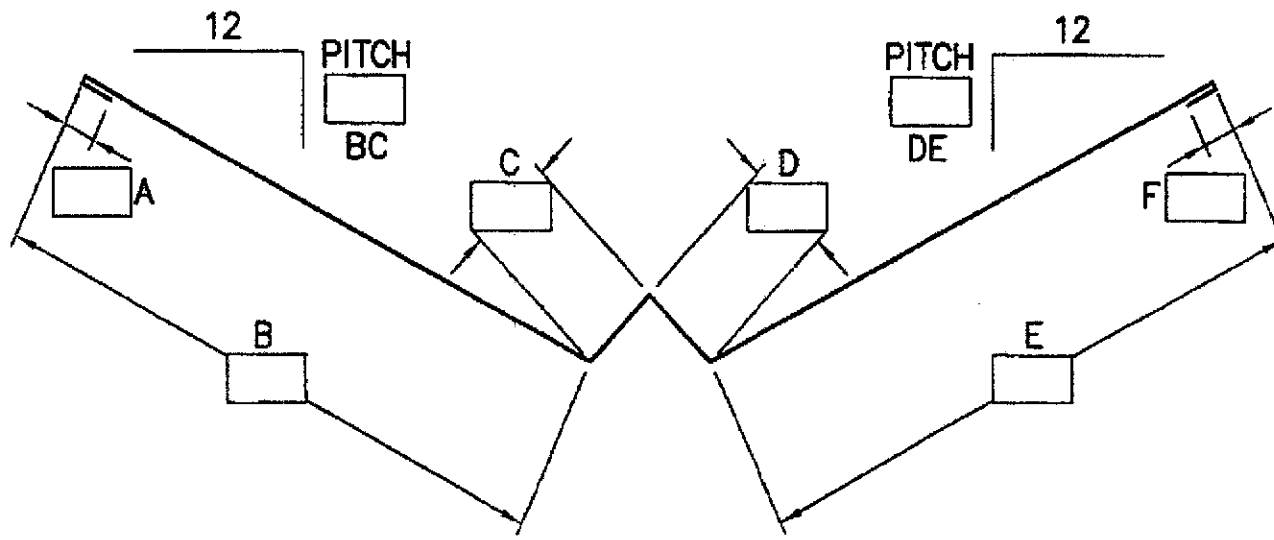
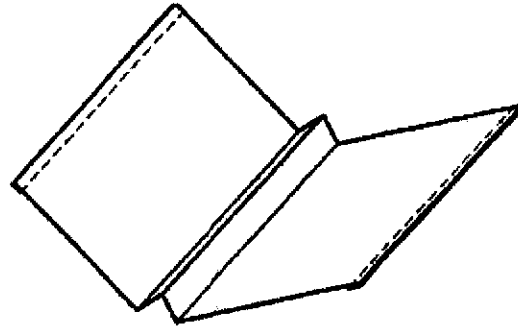
COMPANY						STR8 SHEET FABRICATIONS				
JOB NAME/#						4493 RUSSELL RD. STE. D MUKILTEO, WA 98275				
ORDERED BY:	NAME:		#:		PHONE: 425-789-1755 FAX: 425-789-1808					
MATERIAL						EMAIL: WILL@STR8FAB.COM				
GAUGE: CHECK ONE	18		20		22		24		26	



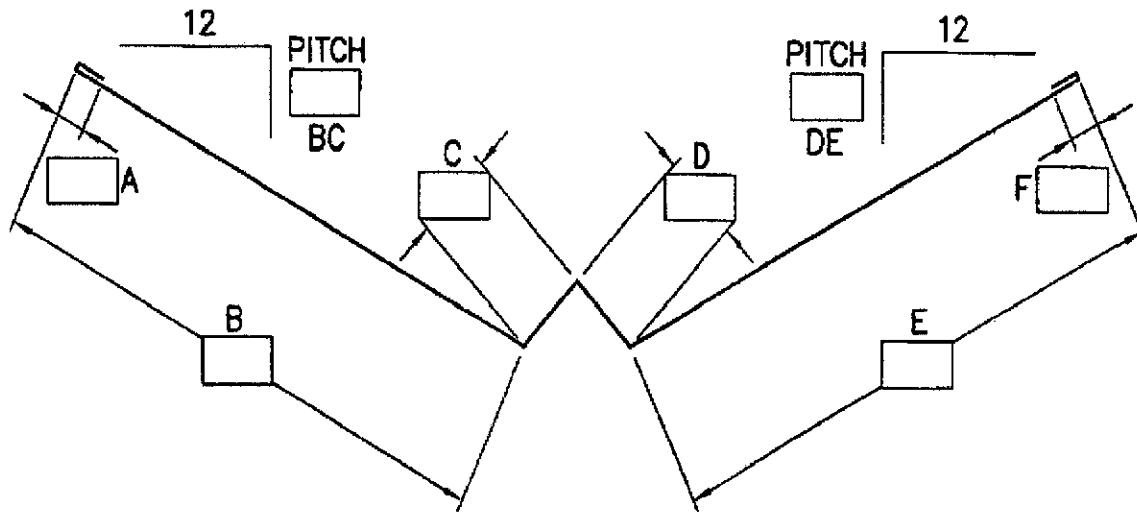
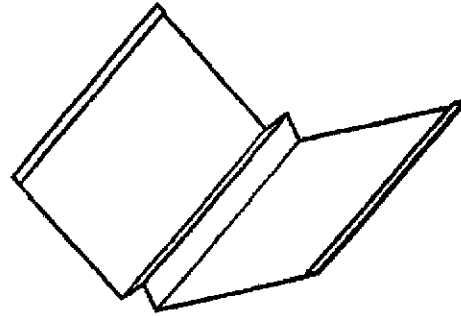
COMPANY					STR8 SHEET FABRICATIONS			
JOB NAME/#					4493 RUSSELL RD. STE. D MUKILTEO, WA 98275			
ORDERED BY:	NAME:		#:		PHONE: 425-789-1755		FAX: 425-789-1808	
					EMAIL: WILL@STR8FAB.COM			
MATERIAL								
GAUGE: CHECK ONE	18		20		22		24	26



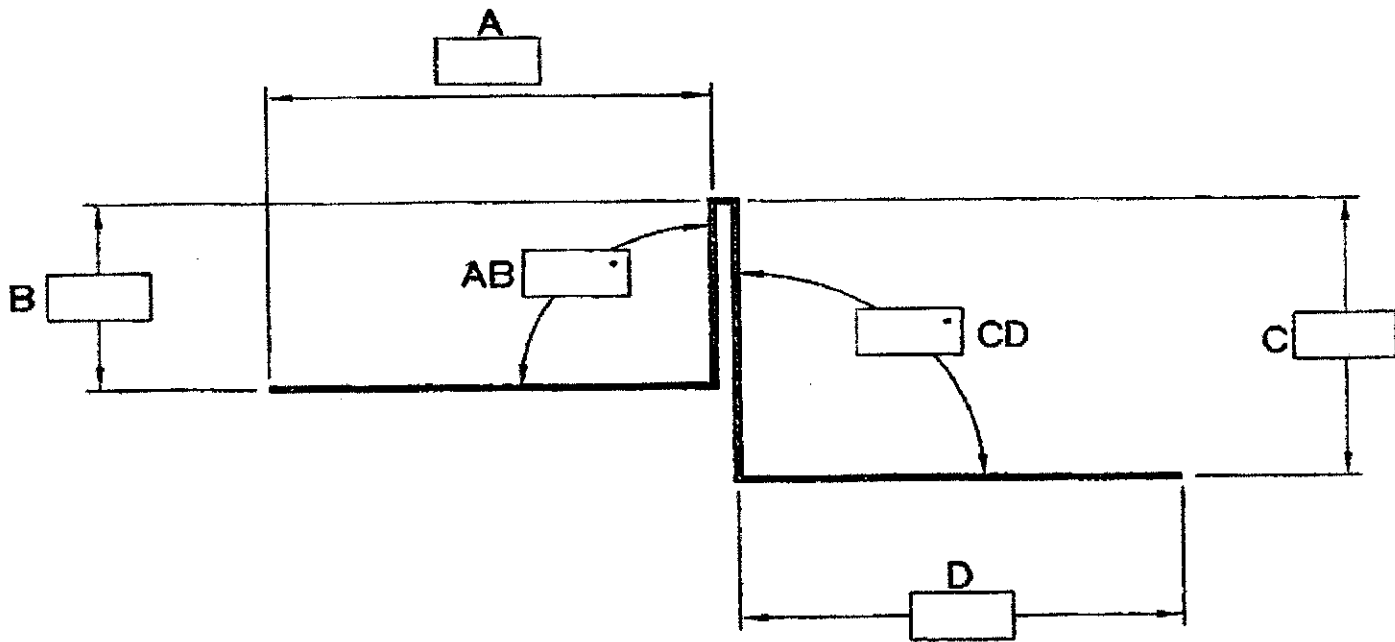
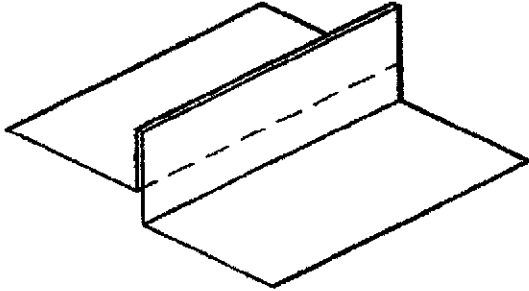
COMPANY						STR8 SHEET FABRICATIONS		
JOB NAME/#						4493 RUSSELL RD. STE. D MUKILTEO, WA 98275		
ORDERED BY:	NAME:					PHONE: 425-789-1755		FAX: 425-789-1808
						EMAIL: WILL@STR8FAB.COM		
MATERIAL								
GAUGE: CHECK ONE	18		20		22		24	26



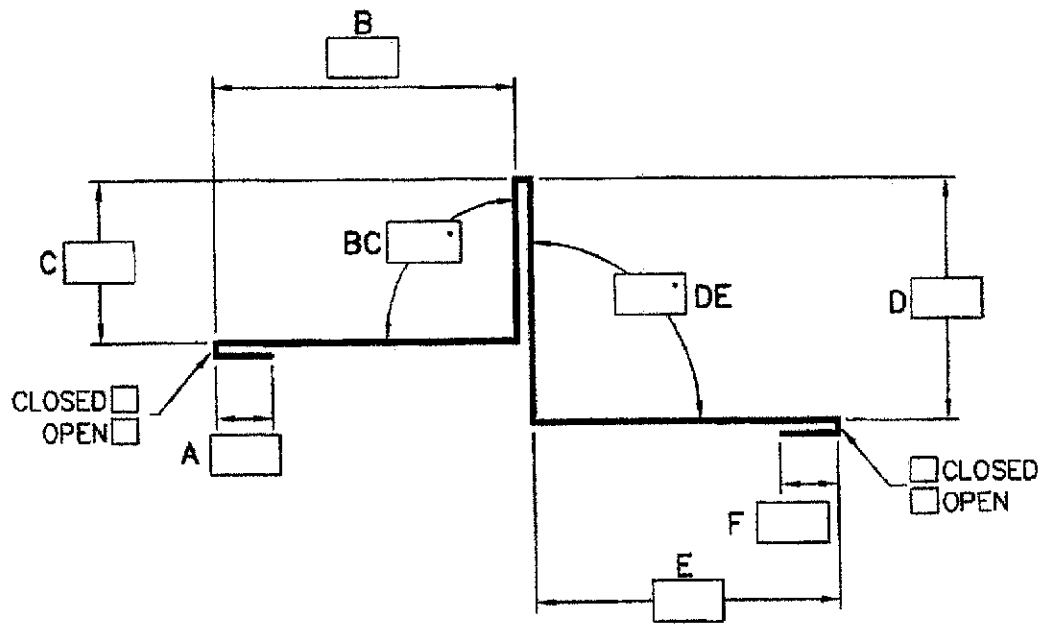
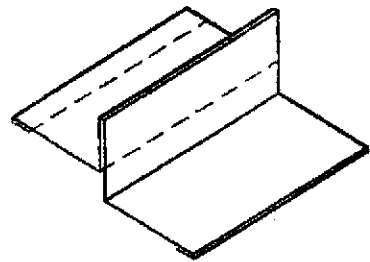
COMPANY							STR8 SHEET FABRICATIONS		
JOB NAME/#							4493 RUSSELL RD. STE. D MUKILTEO, WA 98275		
ORDERED BY:	NAME:				#:		PHONE: 425-789-1755		FAX: 425-789-1808
							EMAIL: WILL@STR8FAB.COM		
MATERIAL									
GAUGE: CHECK ONE	18		20		22		24		26



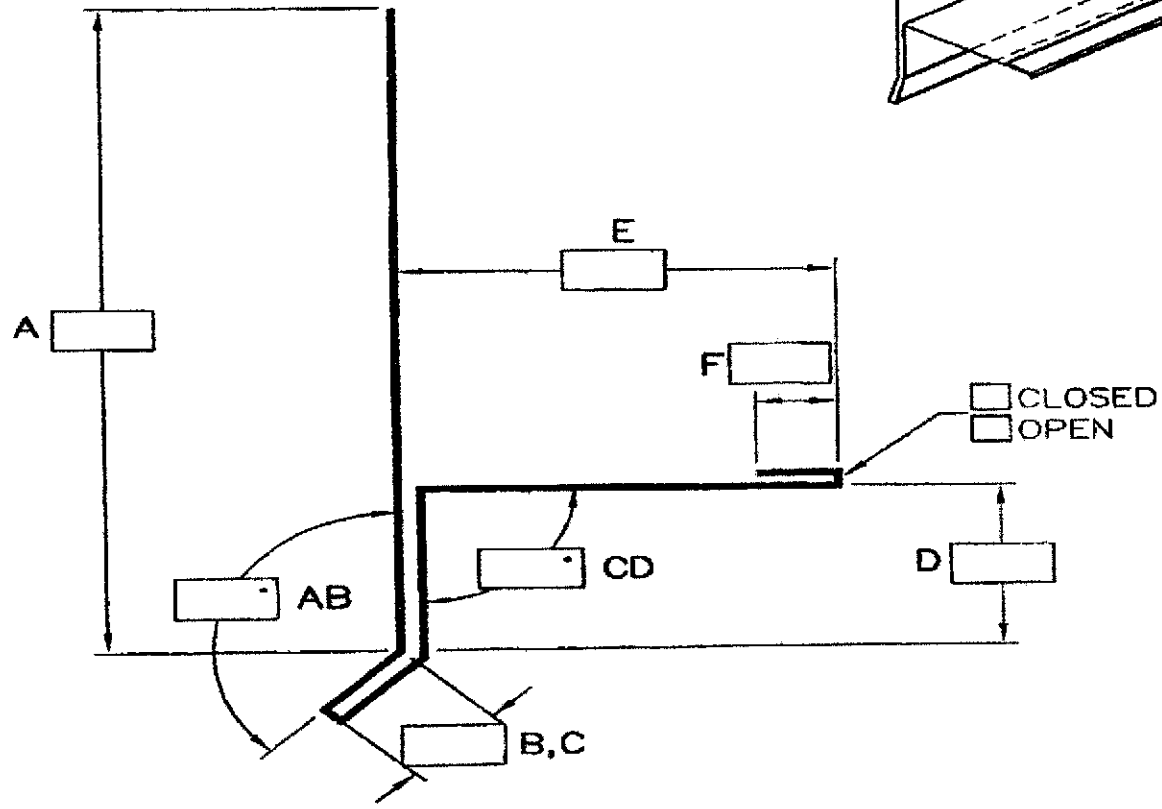
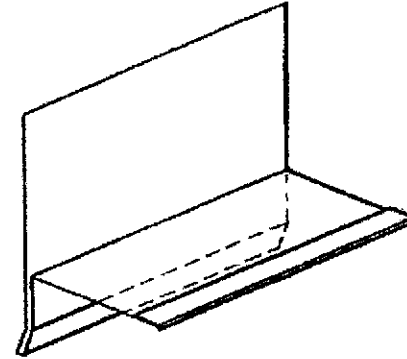
COMPANY						STR8 SHEET FABRICATIONS		
JOB NAME/#						4493 RUSSELL RD. STE. D MUKILTEO, WA 98275		
ORDERED BY:	NAME:		#:			PHONE: 425-789-1755 FAX: 425-789-1808		
						EMAIL: WILL@STR8FAB.COM		
MATERIAL								
GAUGE: CHECK ONE	18		20		22		24	26



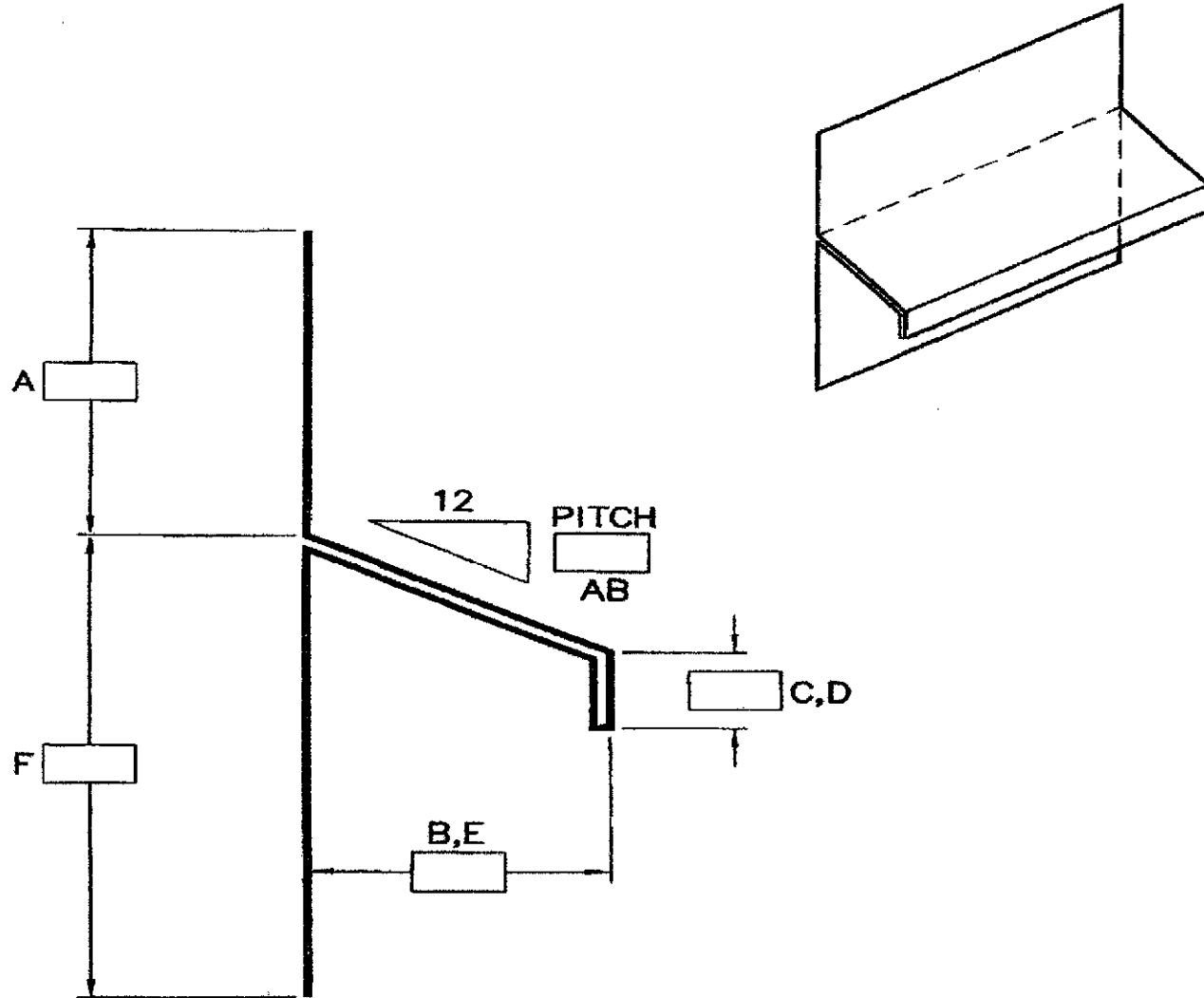
COMPANY						STR8 SHEET FABRICATIONS			
JOB NAME/#						4493 RUSSELL RD. STE. D MUKILTEO, WA 98275			
ORDERED BY:	NAME:		#:			PHONE: 425-789-1755		FAX: 425-789-1808	
						EMAIL: WILL@STR8FAB.COM			
MATERIAL									
GAUGE: CHECK ONE	18		20		22		24		26



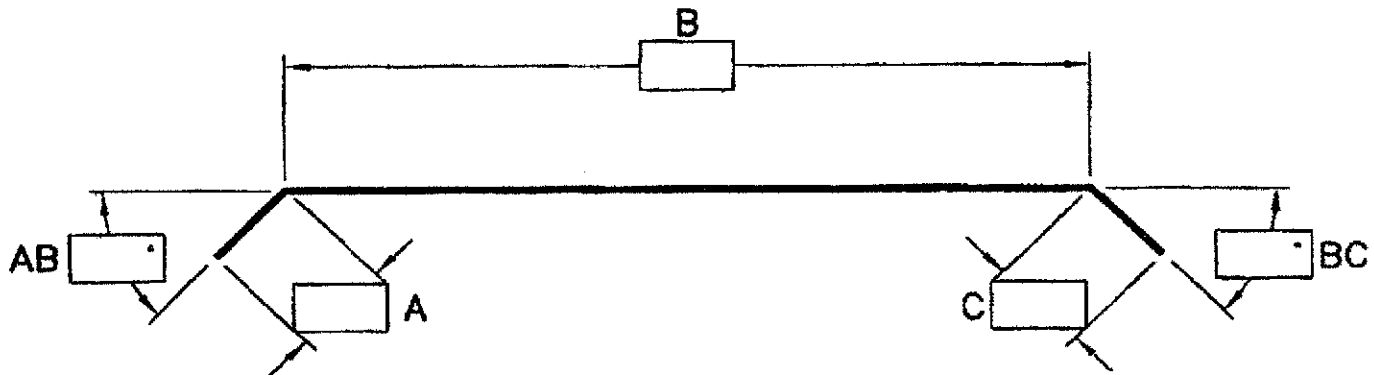
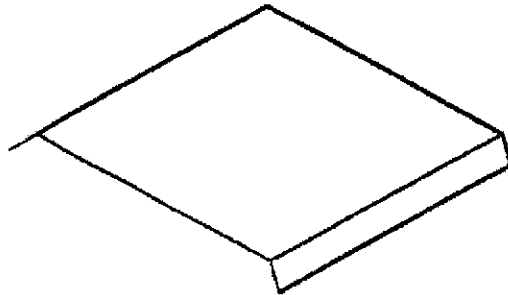
COMPANY						STR8 SHEET FABRICATIONS				
JOB NAME/#						4493 RUSSELL RD. STE. D MUKILTEO, WA 98275				
ORDERED BY:	NAME:		#:			PHONE: 425-789-1755 FAX: 425-789-1808				
						EMAIL: WILL@STR8FAB.COM				
MATERIAL										
GAUGE: CHECK ONE	18		20		22		24		26	



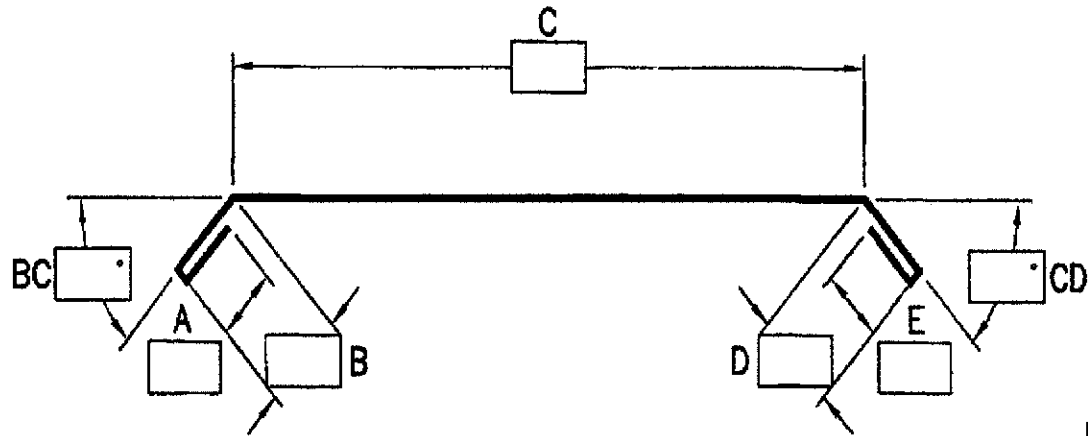
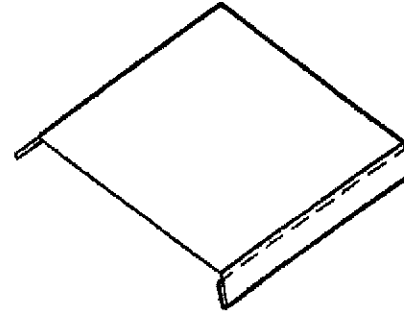
COMPANY						STR8 SHEET FABRICATIONS			
JOB NAME/#						4493 RUSSELL RD. STE. D MUKILTEO, WA 98275			
ORDERED BY:	NAME:		#:			PHONE: 425-789-1755		FAX: 425-789-1808	
						EMAIL: WILL@STR8FAB.COM			
MATERIAL									
GAUGE: CHECK ONE	18		20		22		24		26



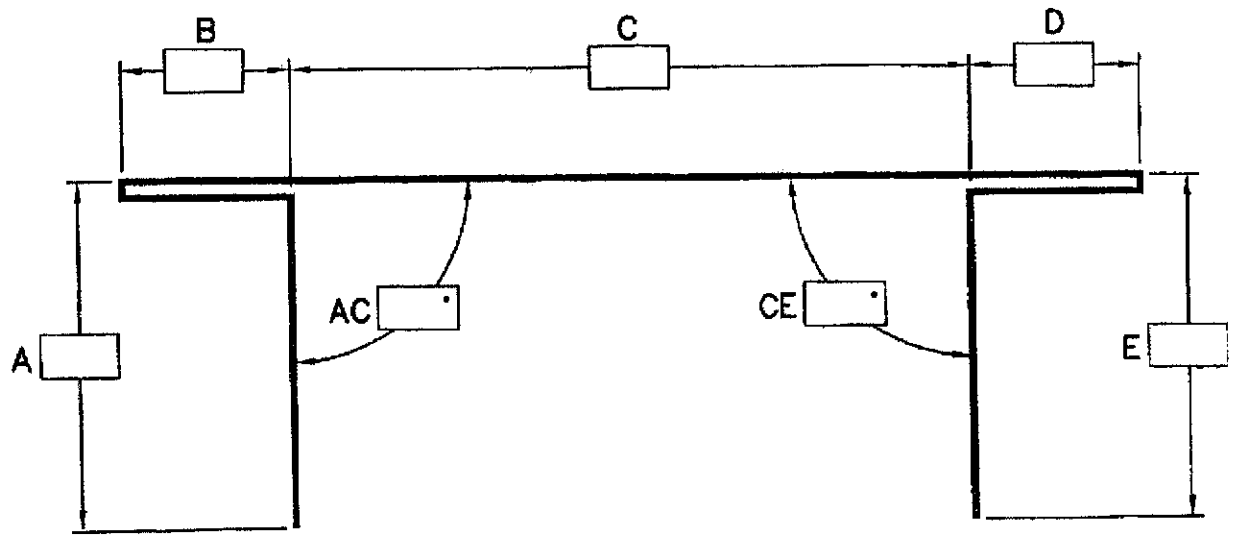
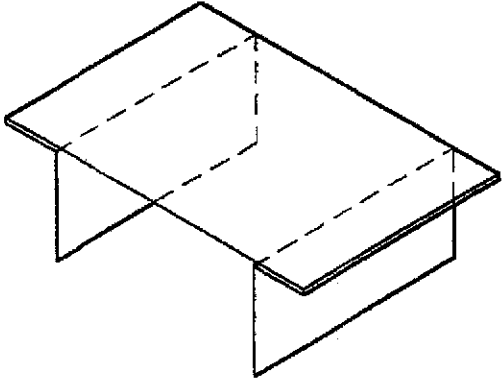
COMPANY						STR8 SHEET FABRICATIONS			
JOB NAME/#						4493 RUSSELL RD. STE. D MUKILTEO, WA 98275			
ORDERED BY:	NAME:		#:			PHONE: 425-789-1755		FAX: 425-789-1808	
						EMAIL: WILL@STR8FAB.COM			
MATERIAL									
GAUGE: CHECK ONE	18		20		22		24		26



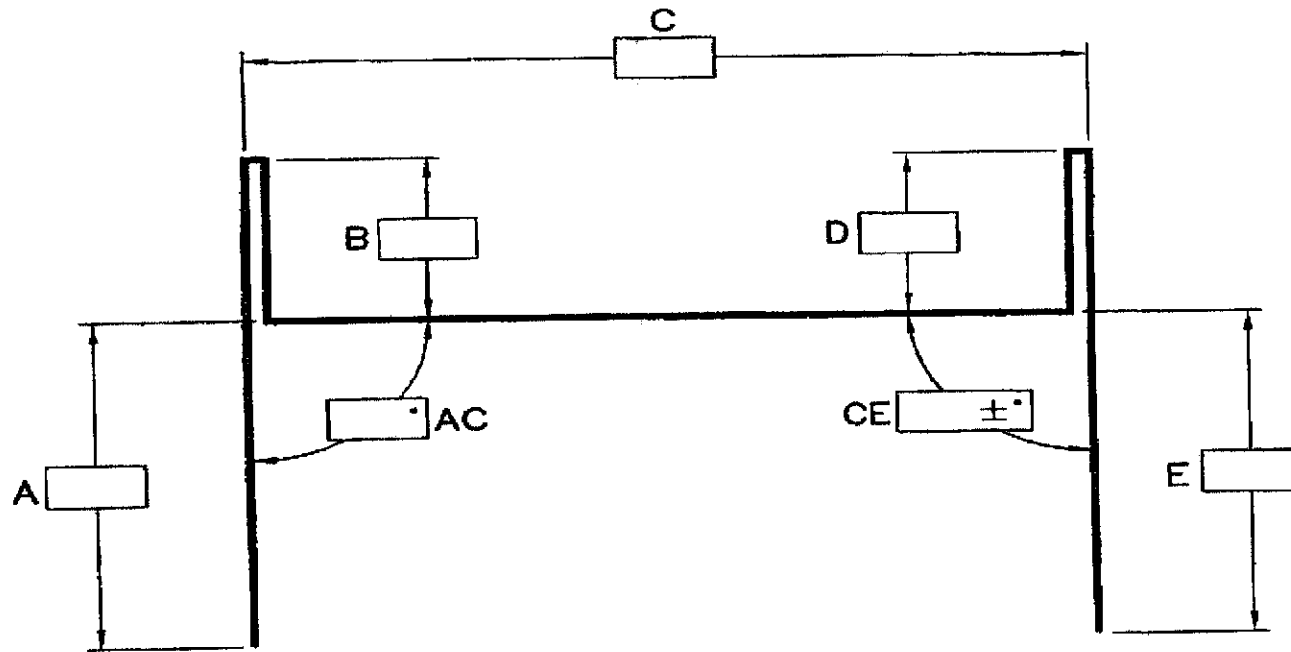
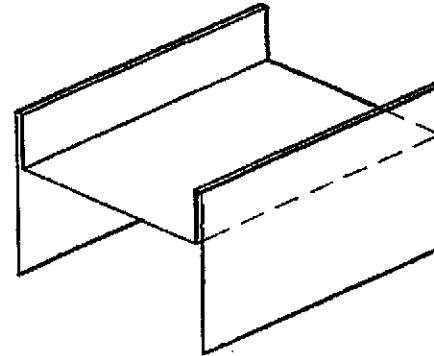
COMPANY						STR8 SHEET FABRICATIONS		
JOB NAME/#						4493 RUSSELL RD. STE. D MUKILTEO, WA 98275		
ORDERED BY:	NAME:		#:			PHONE: 425-789-1755 FAX: 425-789-1808		
MATERIAL						EMAIL: WILL@STR8FAB.COM		
GAUGE: CHECK ONE	18		20		22		24	26



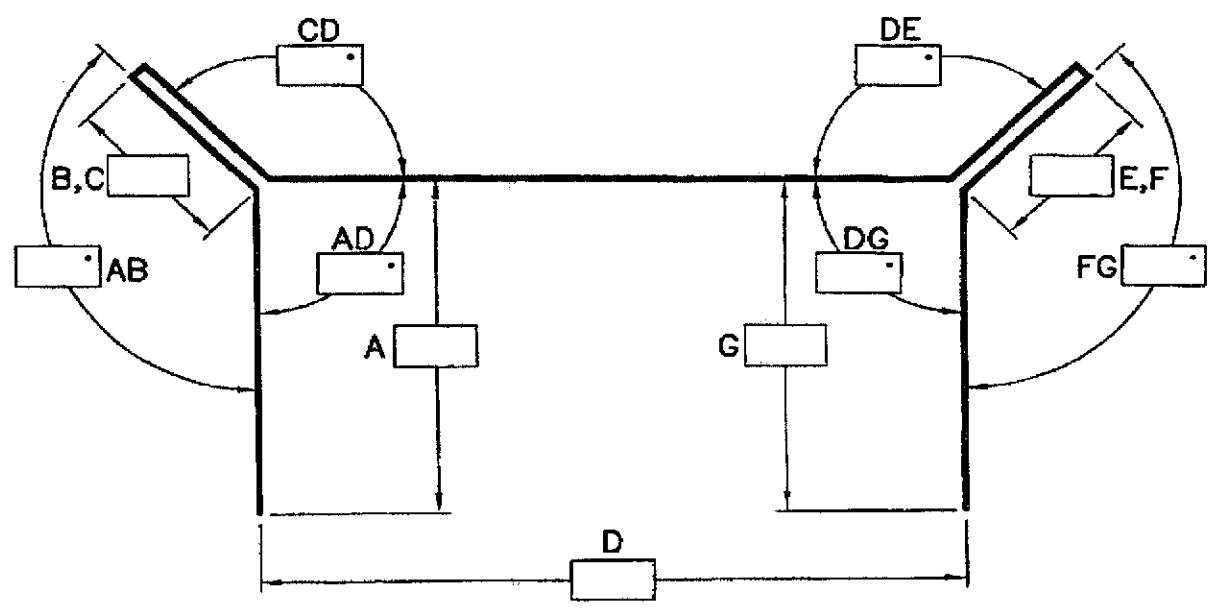
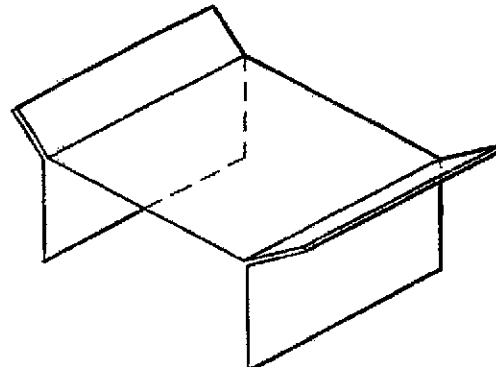
COMPANY						STR8 SHEET FABRICATIONS		
JOB NAME/#						4493 RUSSELL RD. STE. D MUKILTEO, WA 98275		
ORDERED BY:	NAME:		#:			PHONE: 425-789-1755 FAX: 425-789-1808		
						EMAIL: WILL@STR8FAB.COM		
MATERIAL								
GAUGE: CHECK ONE	18		20		22		24	26



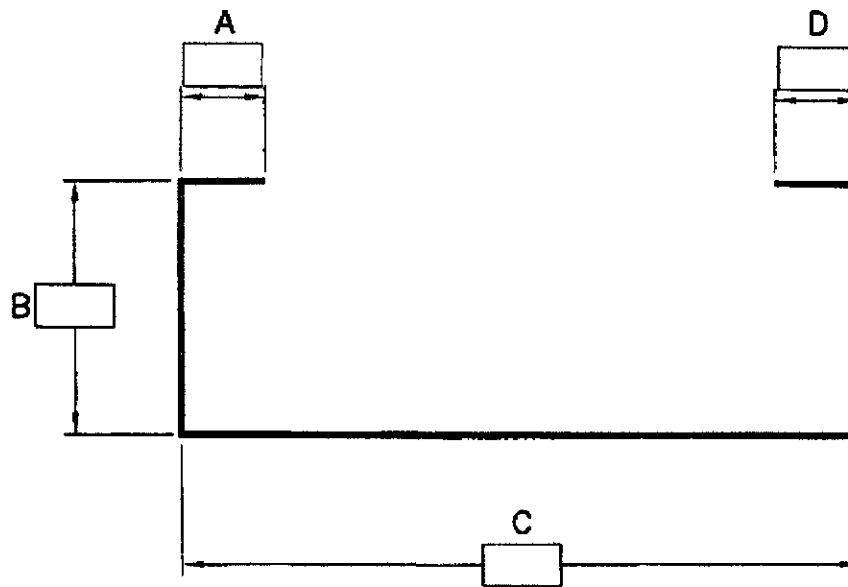
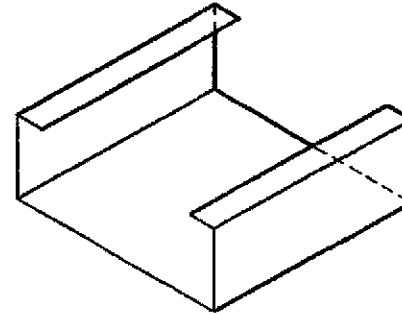
COMPANY						STR8 SHEET FABRICATIONS		
JOB NAME/#						4493 RUSSELL RD. STE. D MUKILTEO, WA 98275		
ORDERED BY:	NAME:					PHONE: 425-789-1755		FAX: 425-789-1808
						EMAIL: WILL@STR8FAB.COM		
MATERIAL								
GAUGE: CHECK ONE	18		20		22		24	26



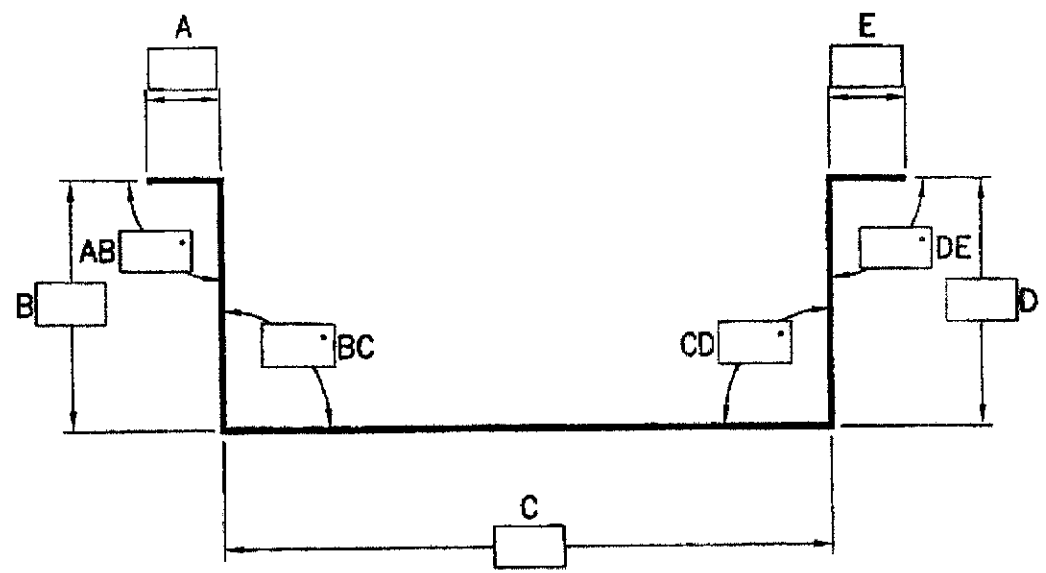
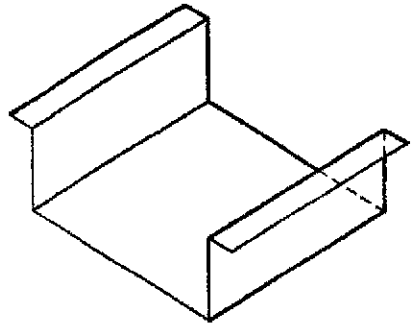
COMPANY						STR8 SHEET FABRICATIONS				
JOB NAME/#						4493 RUSSELL RD. STE. D MUKILTEO, WA 98275				
ORDERED BY:	NAME:		#:			PHONE: 425-789-1755 FAX: 425-789-1808				
						EMAIL: WILL@STR8FAB.COM				
MATERIAL										
GAUGE: CHECK ONE	18		20		22		24		26	



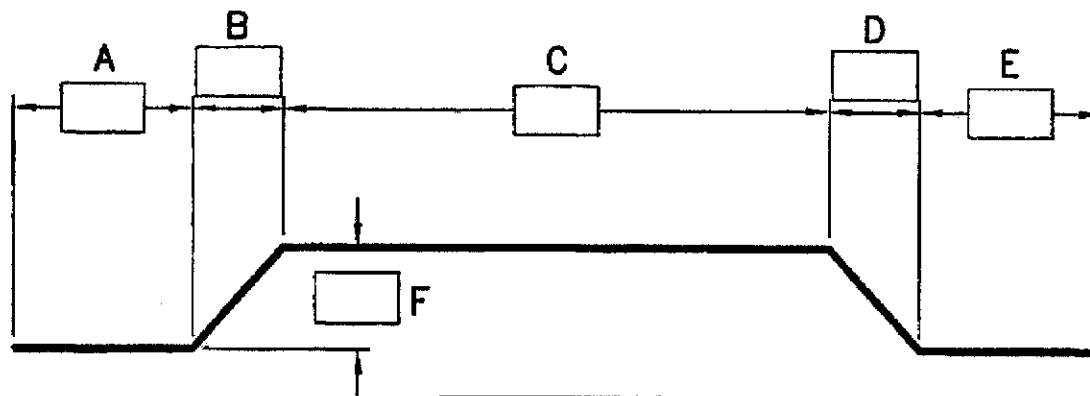
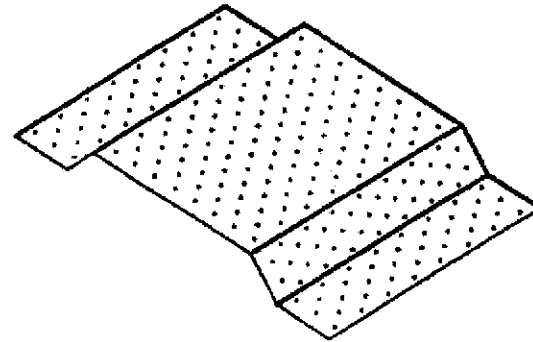
COMPANY						STR8 SHEET FABRICATIONS			
JOB NAME/#						4493 RUSSELL RD. STE. D MUKILTEO, WA 98275			
ORDERED BY:	NAME:		#:			PHONE: 425-789-1755		FAX: 425-789-1808	
						EMAIL: WILL@STR8FAB.COM			
MATERIAL									
GAUGE: CHECK ONE	18		20		22		24		26



COMPANY						STR8 SHEET FABRICATIONS		
JOB NAME/#						4493 RUSSELL RD. STE. D MUKILTEO, WA 98275		
ORDERED BY:	NAME:		#:			PHONE: 425-789-1755 FAX: 425-789-1808		
						EMAIL: WILL@STR8FAB.COM		
MATERIAL								
GAUGE: CHECK ONE	18		20		22		24	26



COMPANY						STR8 SHEET FABRICATIONS			
JOB NAME/#						4493 RUSSELL RD. STE. D MUKILTEO, WA 98275			
ORDERED BY:	NAME:		#:		PHONE: 425-789-1755 FAX: 425-789-1808				
MATERIAL						EMAIL: WILL@STR8FAB.COM			
GAUGE: CHECK ONE	18		20		22		24		26



PERFORATED

COMPANY						STR8 SHEET FABRICATIONS			
JOB NAME/#						4493 RUSSELL RD. STE. D MUKILTEO, WA 98275			
ORDERED BY:	NAME:		#:			PHONE: 425-789-1755		FAX: 425-789-1808	
MATERIAL						EMAIL: WILL@STR8FAB.COM			
GAUGE: CHECK ONE	18		20		22		24		26

