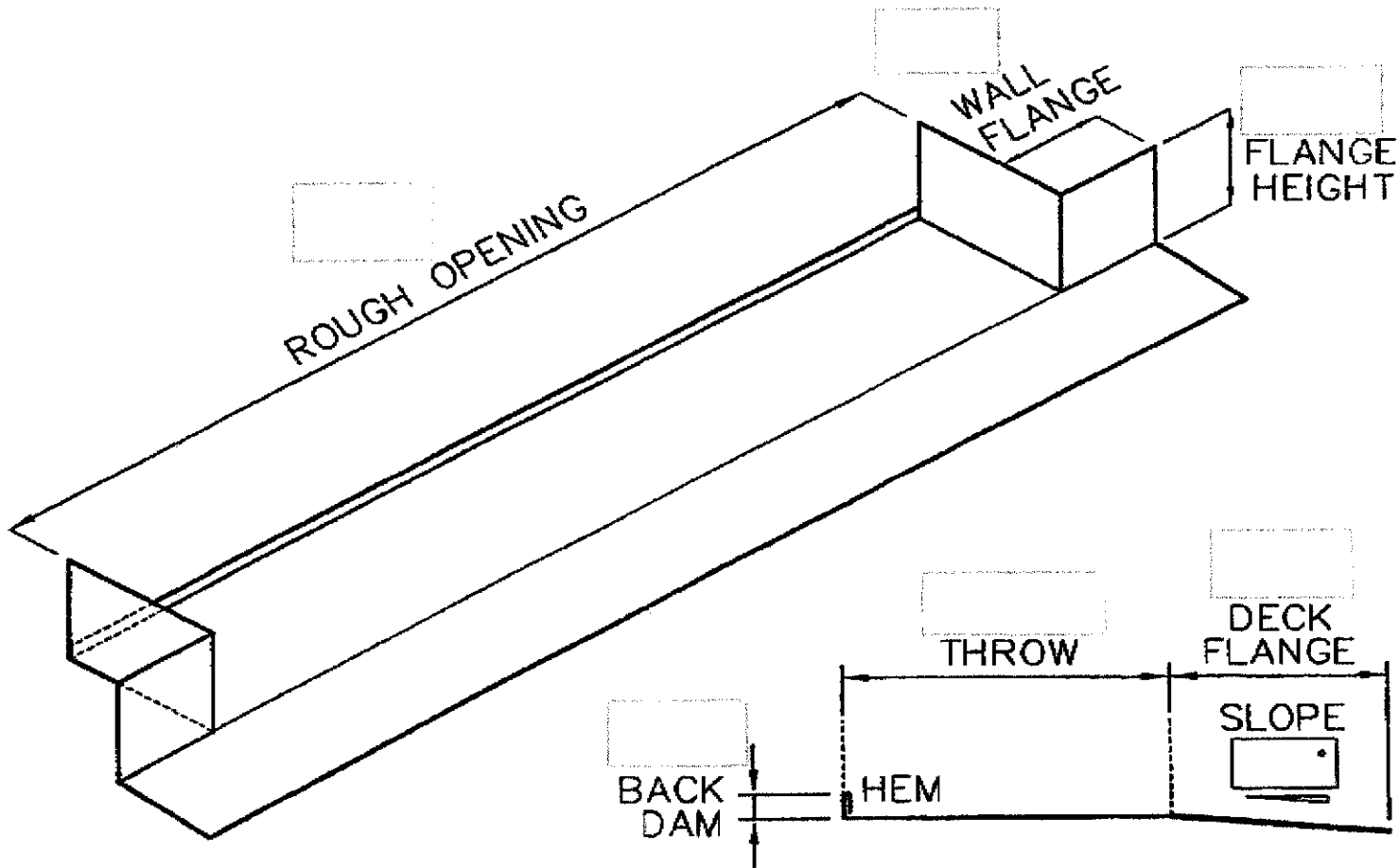
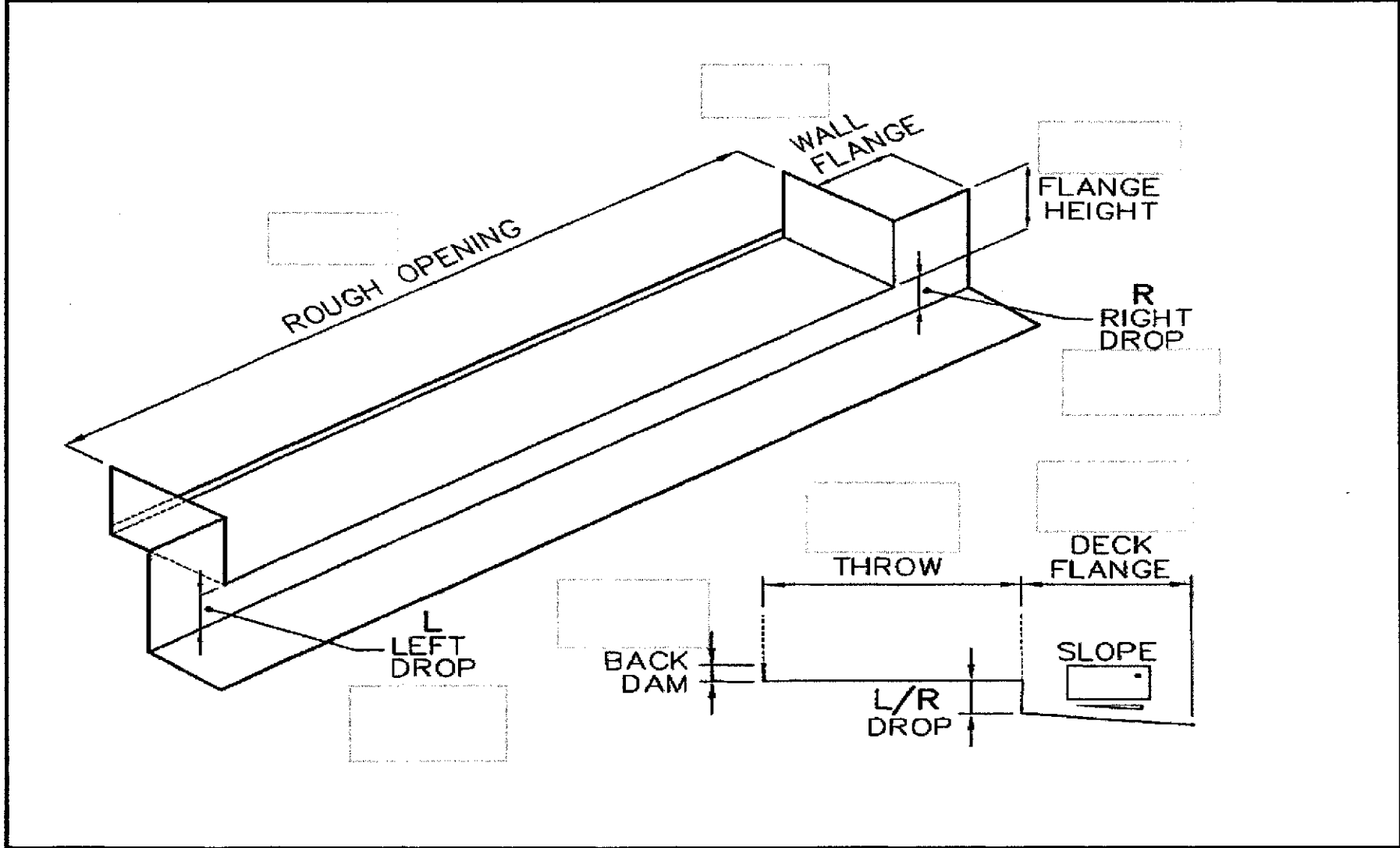


COMPANY							STR8 SHEET FABRICATIONS			
JOB NAME/#							4493 RUSSELL RD. STE. D MUKILTEO, WA 98275			
ORDERED BY:	NAME:		#:				PHONE: 425-789-1755 FAX: 425-789-1808			
							EMAIL: WILL@STR8FAB.COM			
MATERIAL										
GAUGE: CHECK ONE	18		20		22		24		26	



COMPANY						STR8 SHEET FABRICATIONS				
JOB NAME/#						4493 RUSSELL RD. STE. D MUKILTEO, WA 98275				
ORDERED BY:	NAME:		#:			PHONE: 425-789-1755 FAX: 425-789-1808				
						EMAIL: WILL@STR8FAB.COM				
MATERIAL										
GAUGE: CHECK ONE	18		20		22		24		26	



COMPANY:						<b>STR8 SHEET FABRICATIONS</b>				
JOB NAME/#:						4493 RUSSELL RD. STE. D MUKILTEO, WA 98275				
ORDERED BY:	NAME:		#:			PHONE: 425-789-1755		FAX: 425-789-1808		
					EMAIL: WILL@STR8FAB.COM					
MATERIAL:										
GAUGE: CHECK ONE	18		20		22		24		26	

