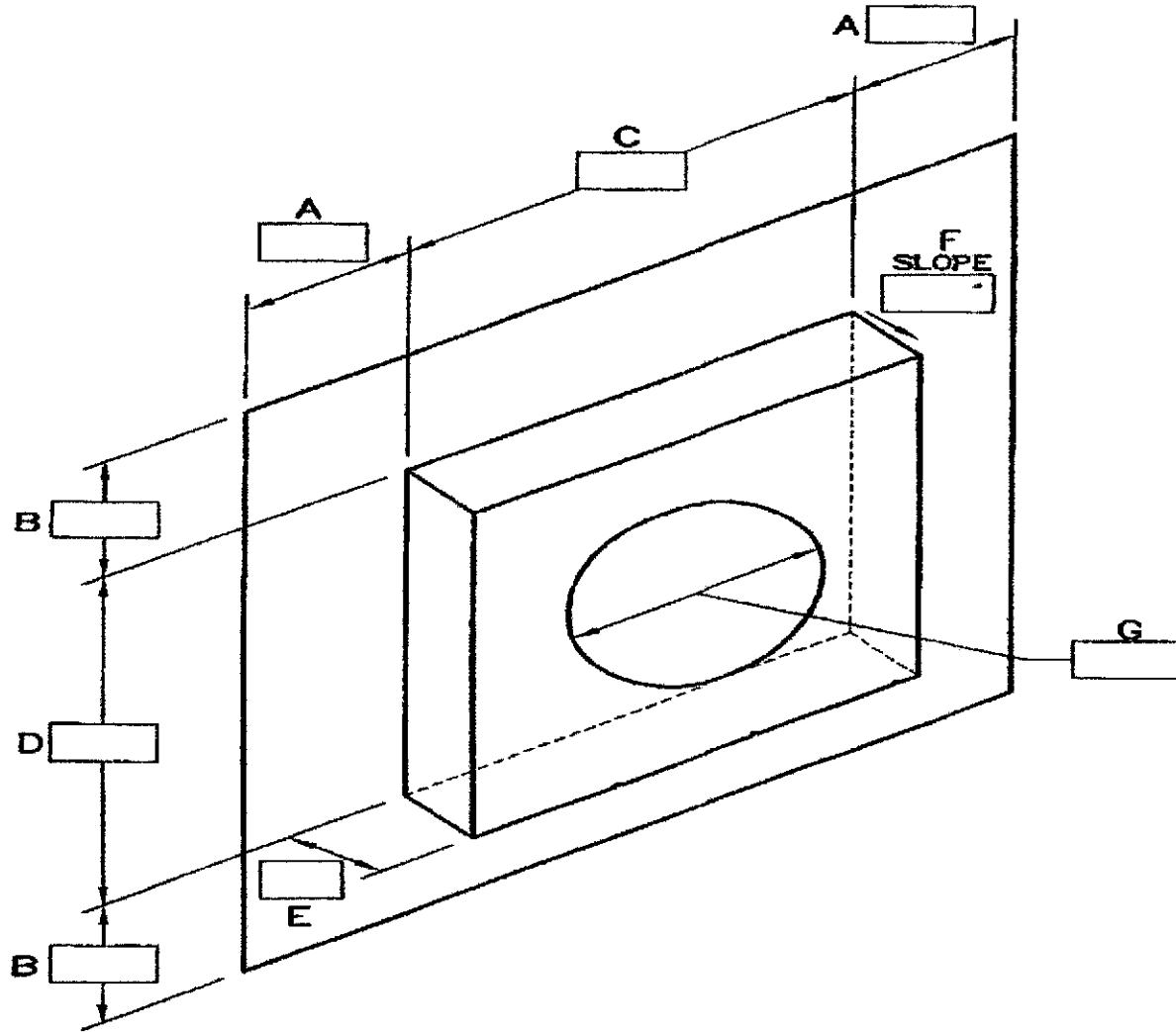
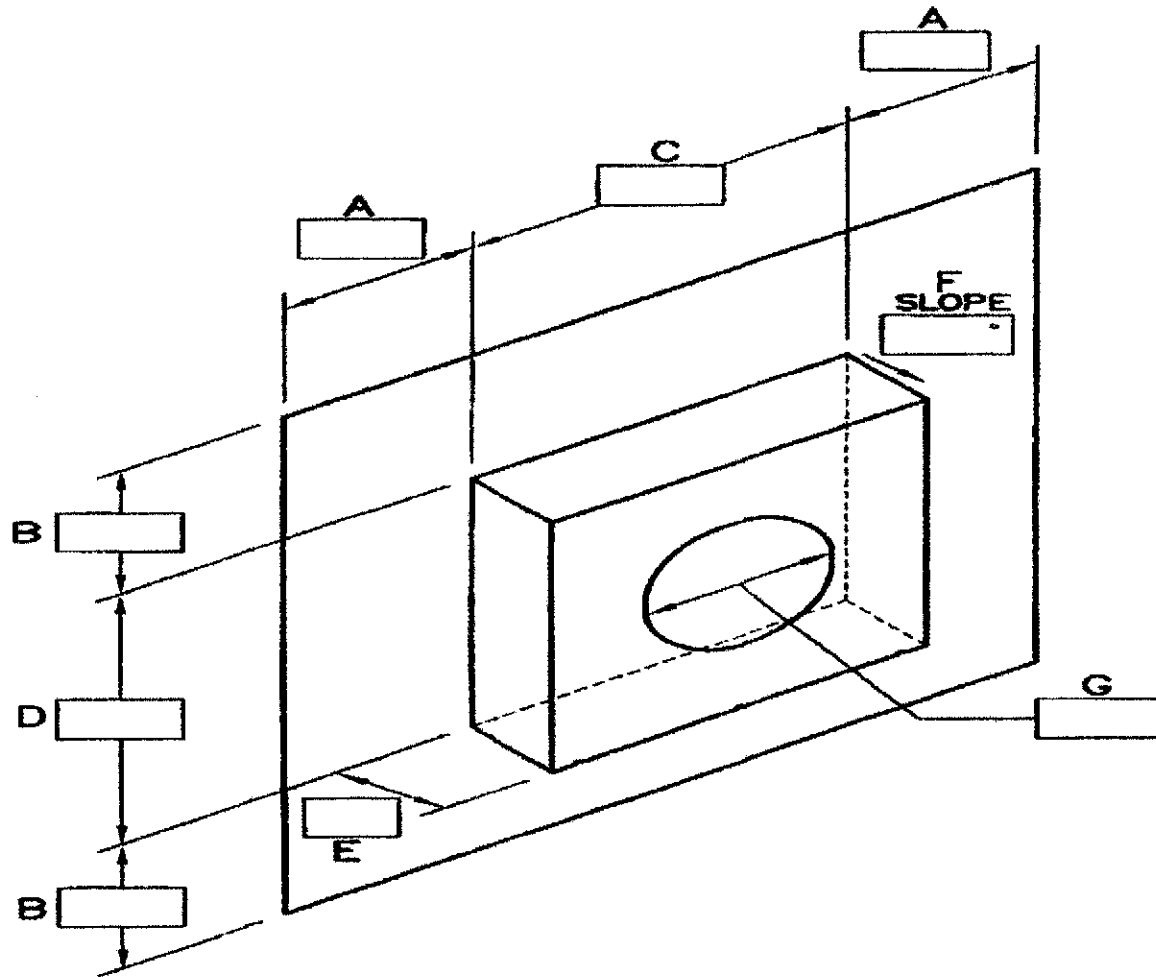


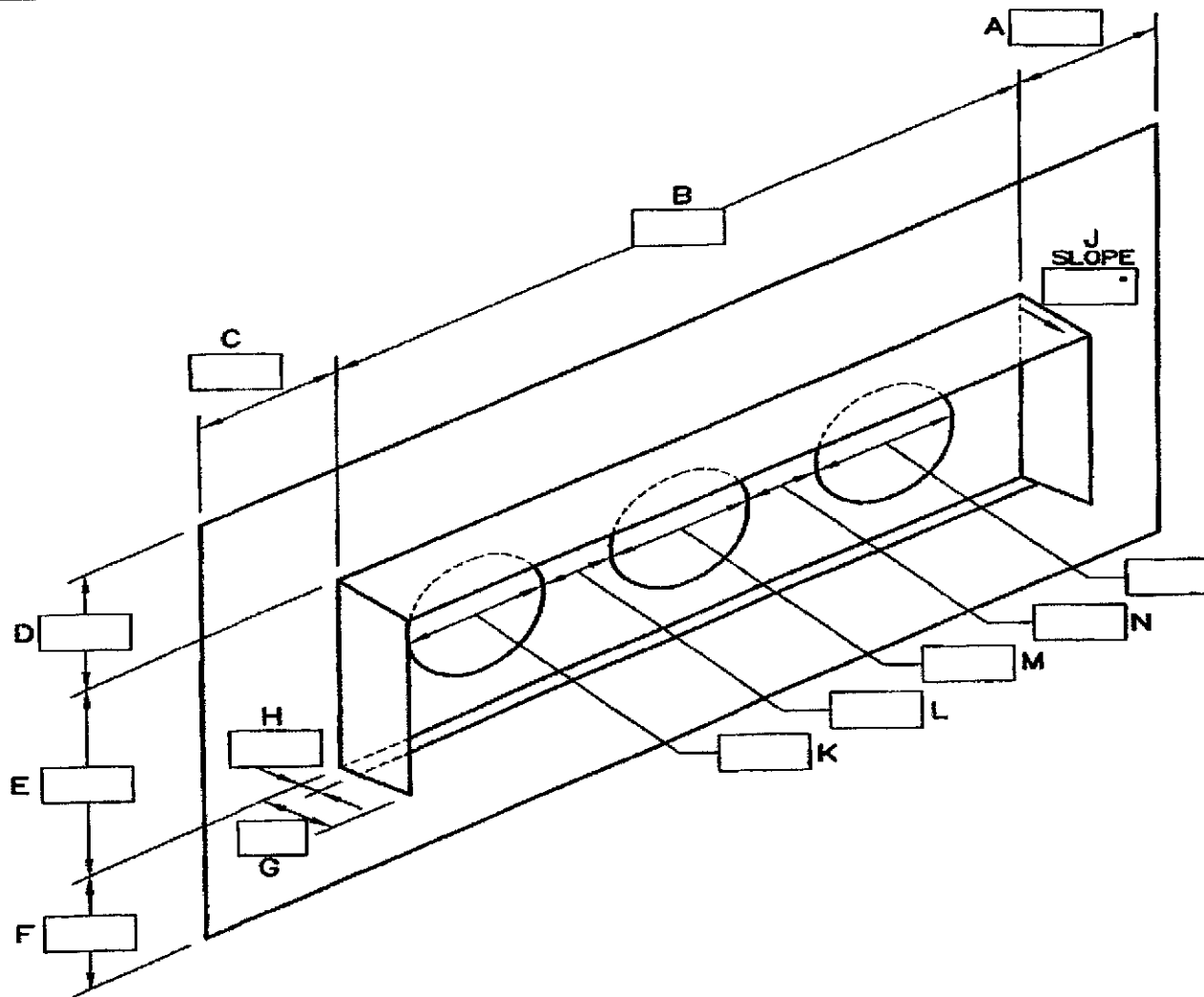
COMPANY						STR8 SHEET FABRICATIONS		
JOB NAME/#						4493 RUSSELL RD. STE. D MUKILTEO, WA 98275		
ORDERED BY:	NAME:				#:			
						PHONE: 425-789-1755 FAX: 425-789-1808		
						EMAIL: WILL@STR8FAB.COM		
MATERIAL								
GAUGE: CHECK ONE	18		20		22		24	26



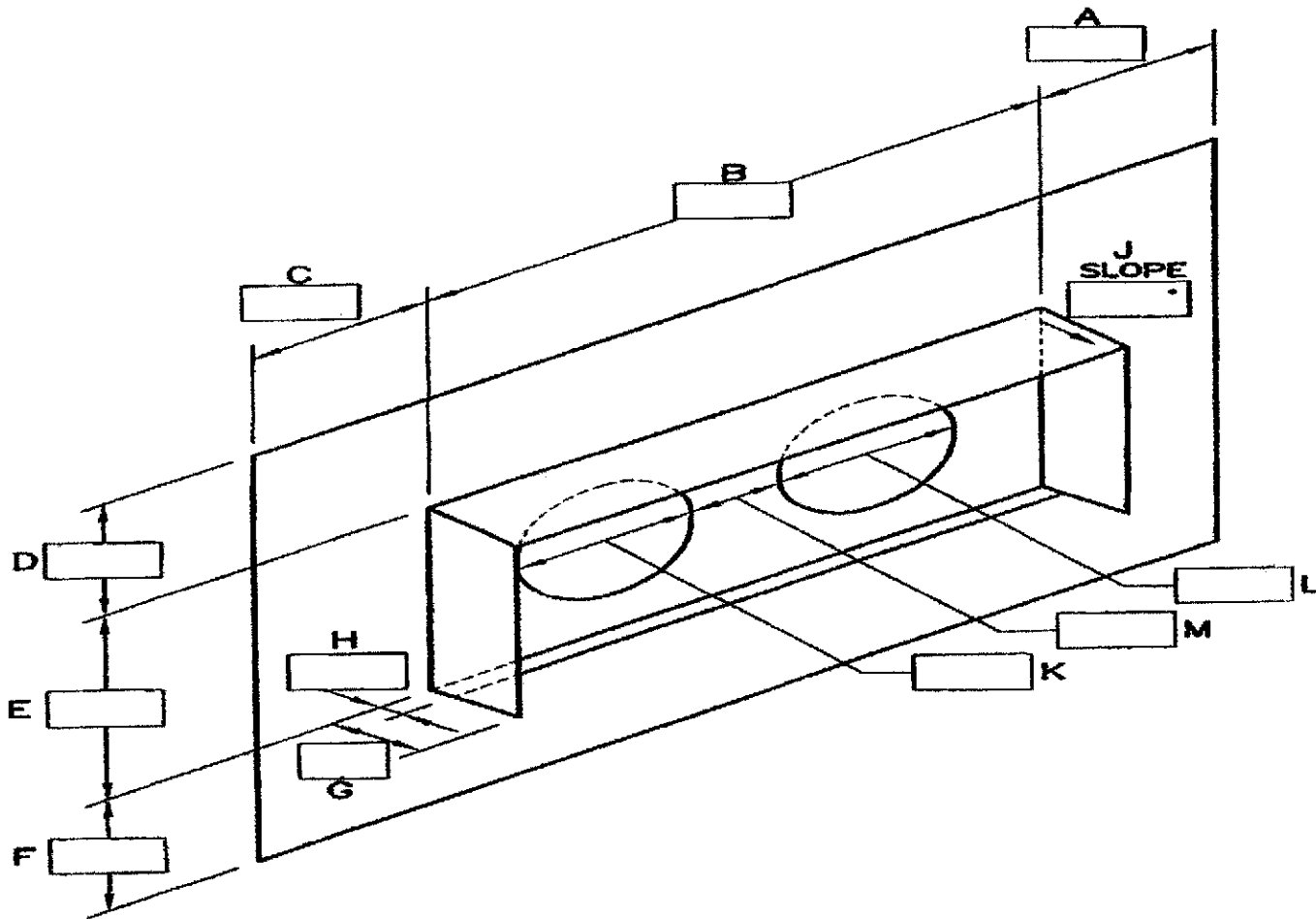
COMPANY						STR8 SHEET FABRICATIONS			
JOB NAME/#						4493 RUSSELL RD. STE. D MUKILTEO, WA 98275			
ORDERED BY:	NAME:		#:			PHONE: 425-789-1755		FAX: 425-789-1808	
						EMAIL: WILL@STR8FAB.COM			
MATERIAL									
GAUGE: CHECK ONE	18		20		22		24		26



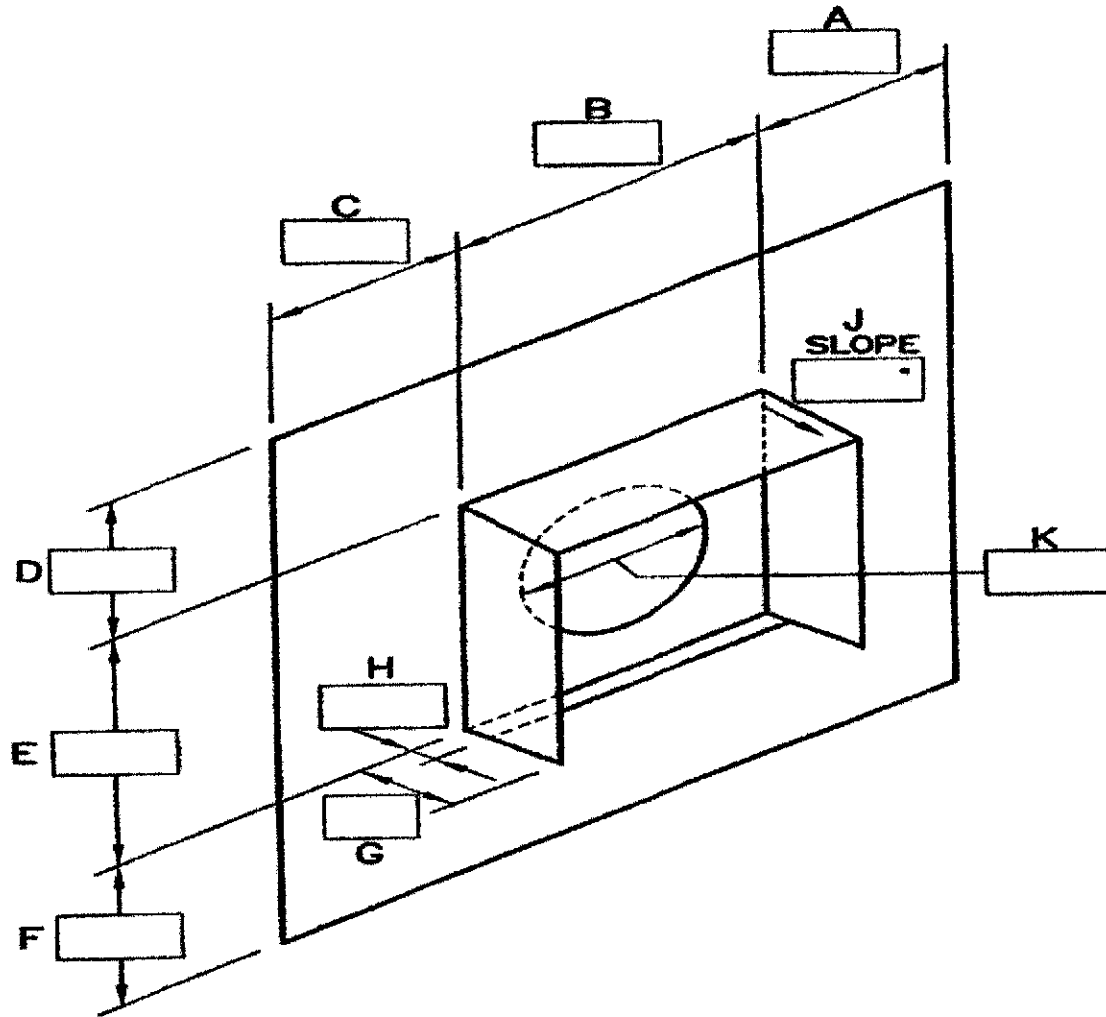
COMPANY					STR8 SHEET FABRICATIONS			
JOB NAME/#					4493 RUSSELL RD. STE. D MUKILTEO, WA 98275			
ORDERED BY:	NAME:		#:		PHONE: 425-789-1755		FAX: 425-789-1808	
					EMAIL: WILL@STR8FAB.COM			
MATERIAL								
GAUGE: CHECK ONE	18	20	22		24	26		



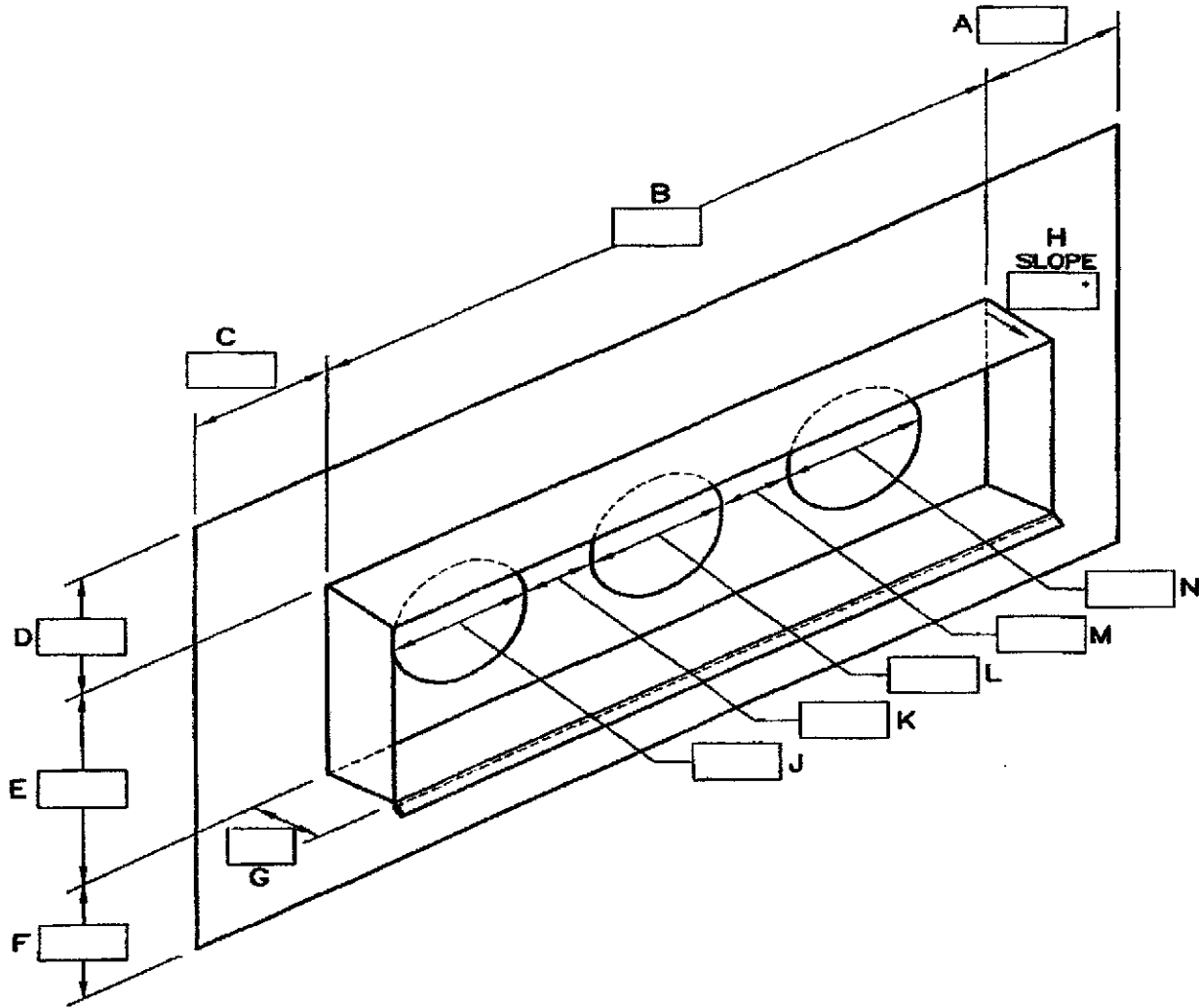
COMPANY					STR8 SHEET FABRICATIONS			
JOB NAME/#					4493 RUSSELL RD. STE. D MUKILTEO, WA 98275			
ORDERED BY:	NAME:		#:		PHONE: 425-789-1755		FAX: 425-789-1808	
					EMAIL: WILL@STR8FAB.COM			
MATERIAL								
GAUGE: CHECK ONE	18	20	22		24	26		



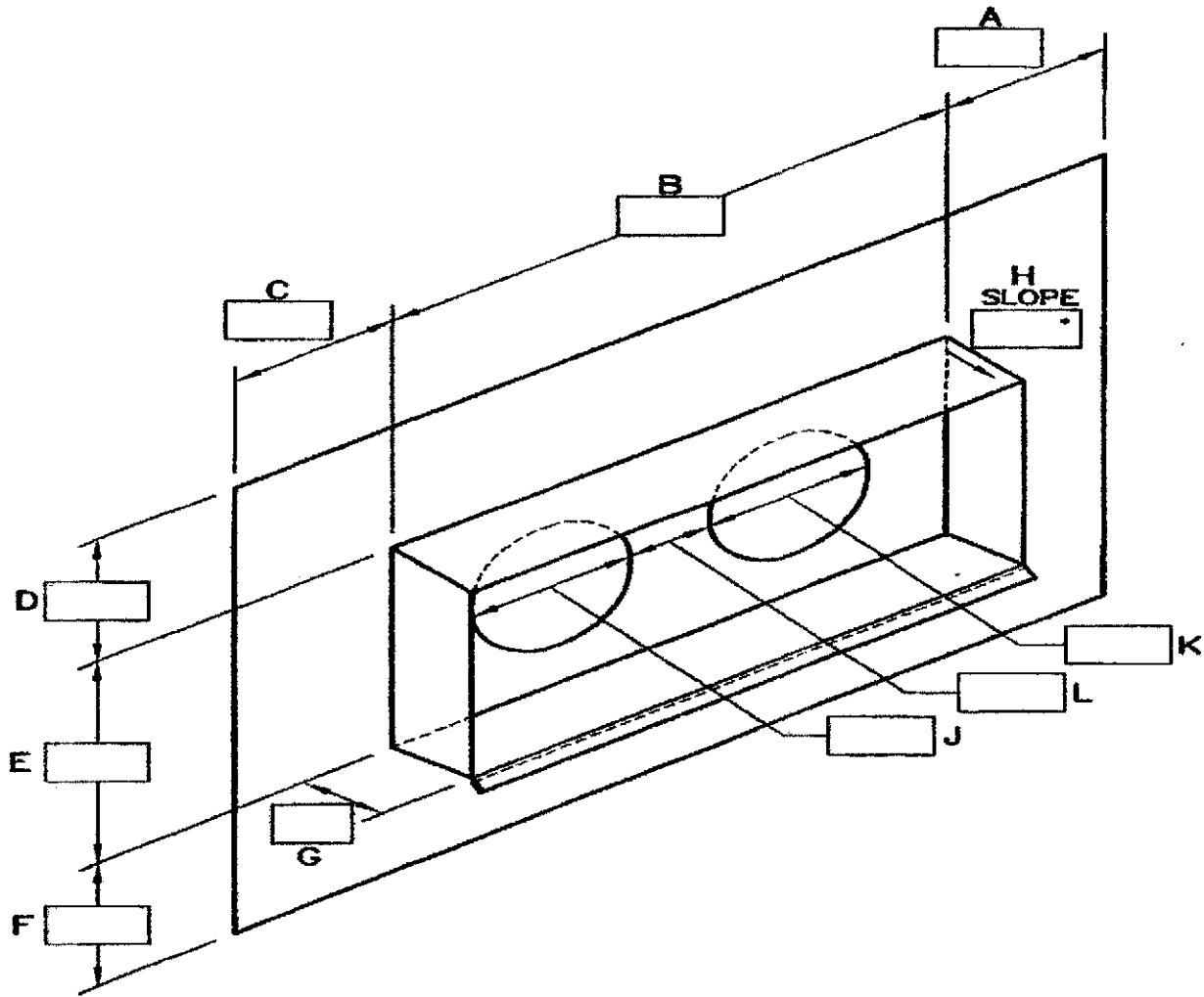
COMPANY						STR8 SHEET FABRICATIONS				
JOB NAME/#						4493 RUSSELL RD. STE. D MUKILTEO, WA 98275				
ORDERED BY:	NAME:		#:			PHONE: 425-789-1755 FAX: 425-789-1808				
						EMAIL: WILL@STR8FAB.COM				
MATERIAL										
GAUGE: CHECK ONE	18		20		22		24		26	



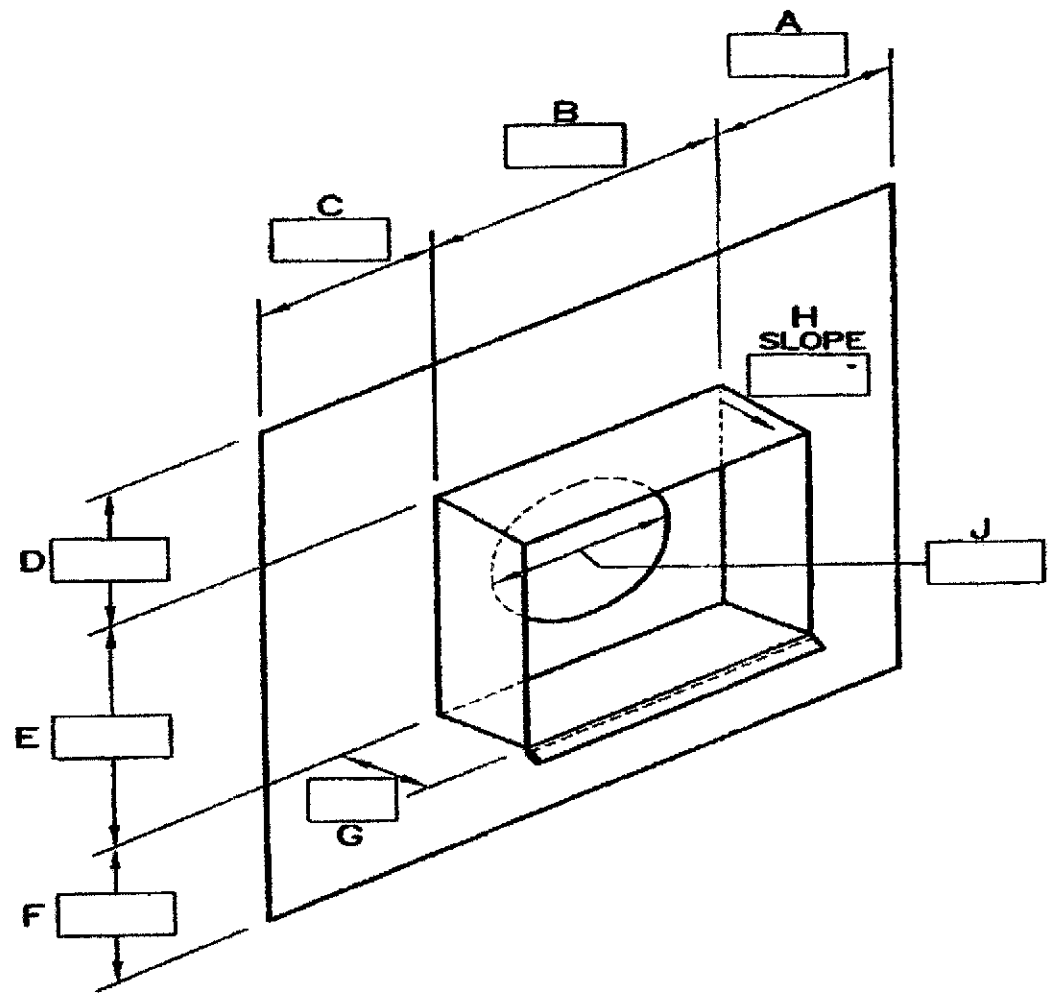
COMPANY						STR8 SHEET FABRICATIONS		
JOB NAME/#						4493 RUSSELL RD. STE. D MUKILTEO, WA 98275		
ORDERED BY:	NAME:		#:			PHONE: 425-789-1755 FAX: 425-789-1808		
						EMAIL: WILL@STR8FAB.COM		
MATERIAL								
GAUGE: CHECK ONE	18		20		22		24	26



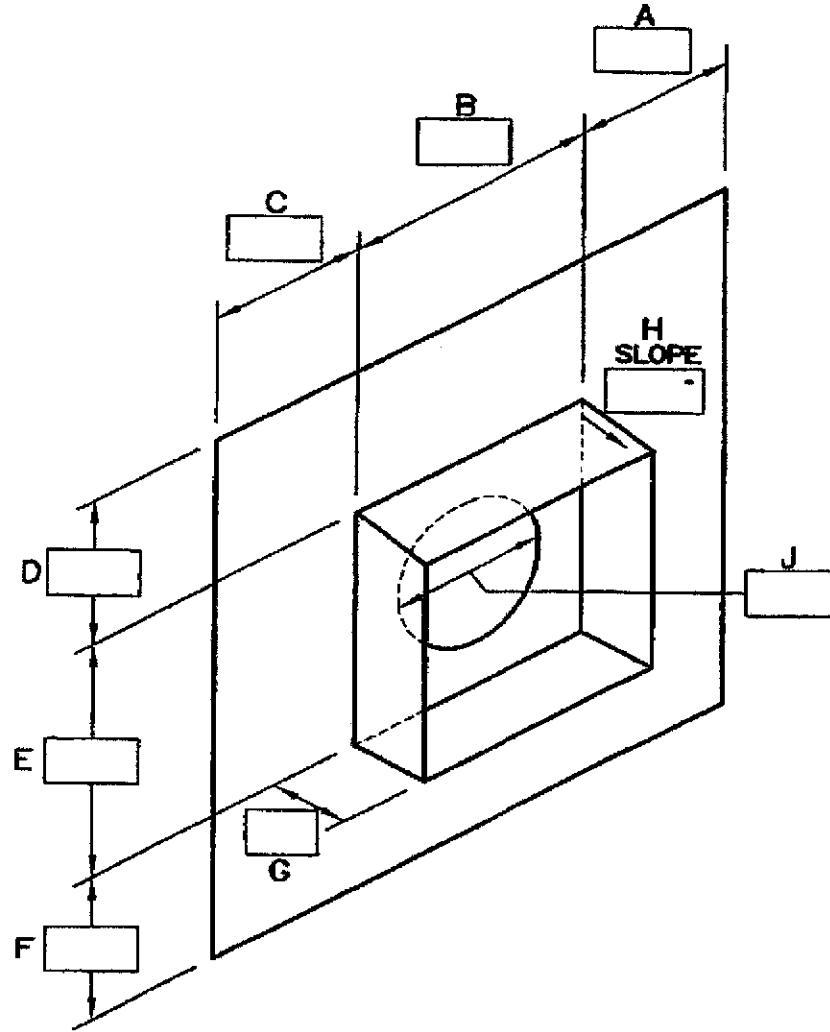
COMPANY						STR8 SHEET FABRICATIONS		
JOB NAME/#						4493 RUSSELL RD. STE. D MUKILTEO, WA 98275		
ORDERED BY:	NAME:				#:		PHONE: 425-789-1755 FAX: 425-789-1808	
						EMAIL: WILL@STR8FAB.COM		
MATERIAL								
GAUGE: CHECK ONE	18		20		22		24	26



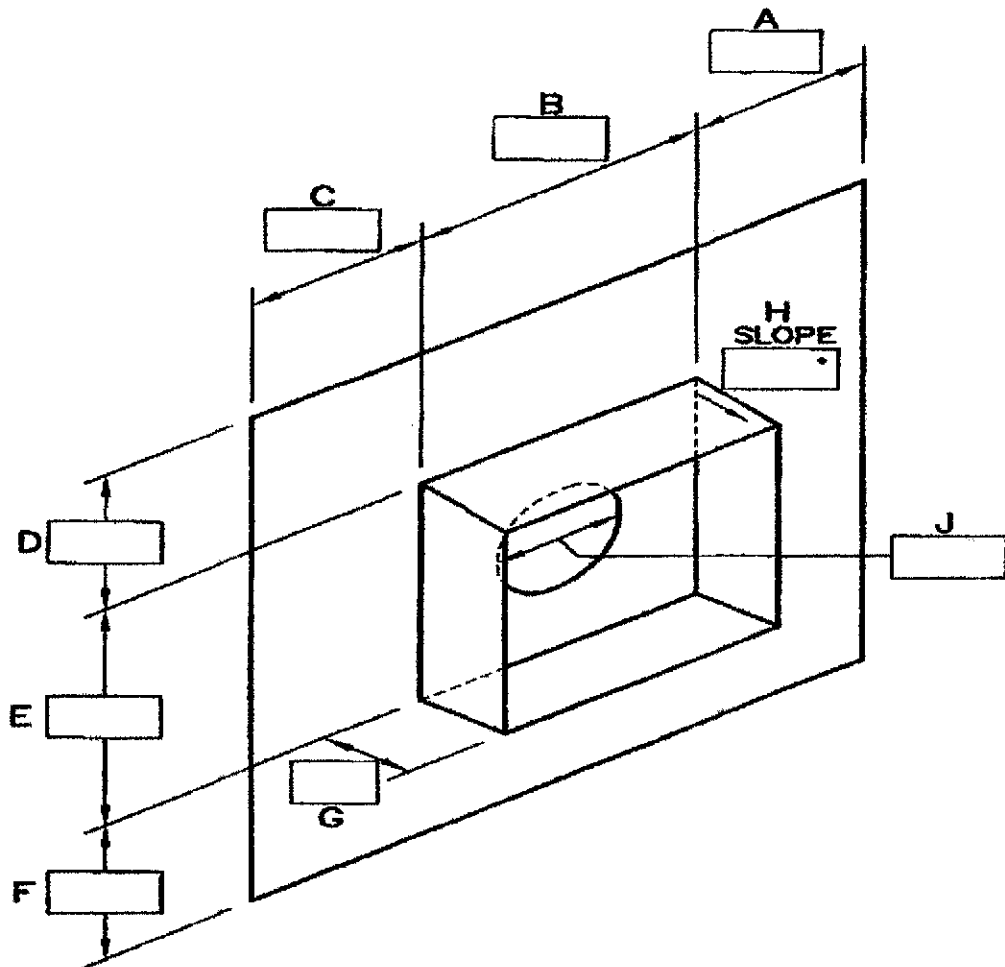
COMPANY						STR8 SHEET FABRICATIONS		
JOB NAME/#						4493 RUSSELL RD. STE. D MUKILTEO, WA 98275		
ORDERED BY:	NAME:				#:	PHONE: 425-789-1755 FAX: 425-789-1808		
						EMAIL: WILL@STR8FAB.COM		
MATERIAL								
GAUGE: CHECK ONE	18	20		22		24	26	



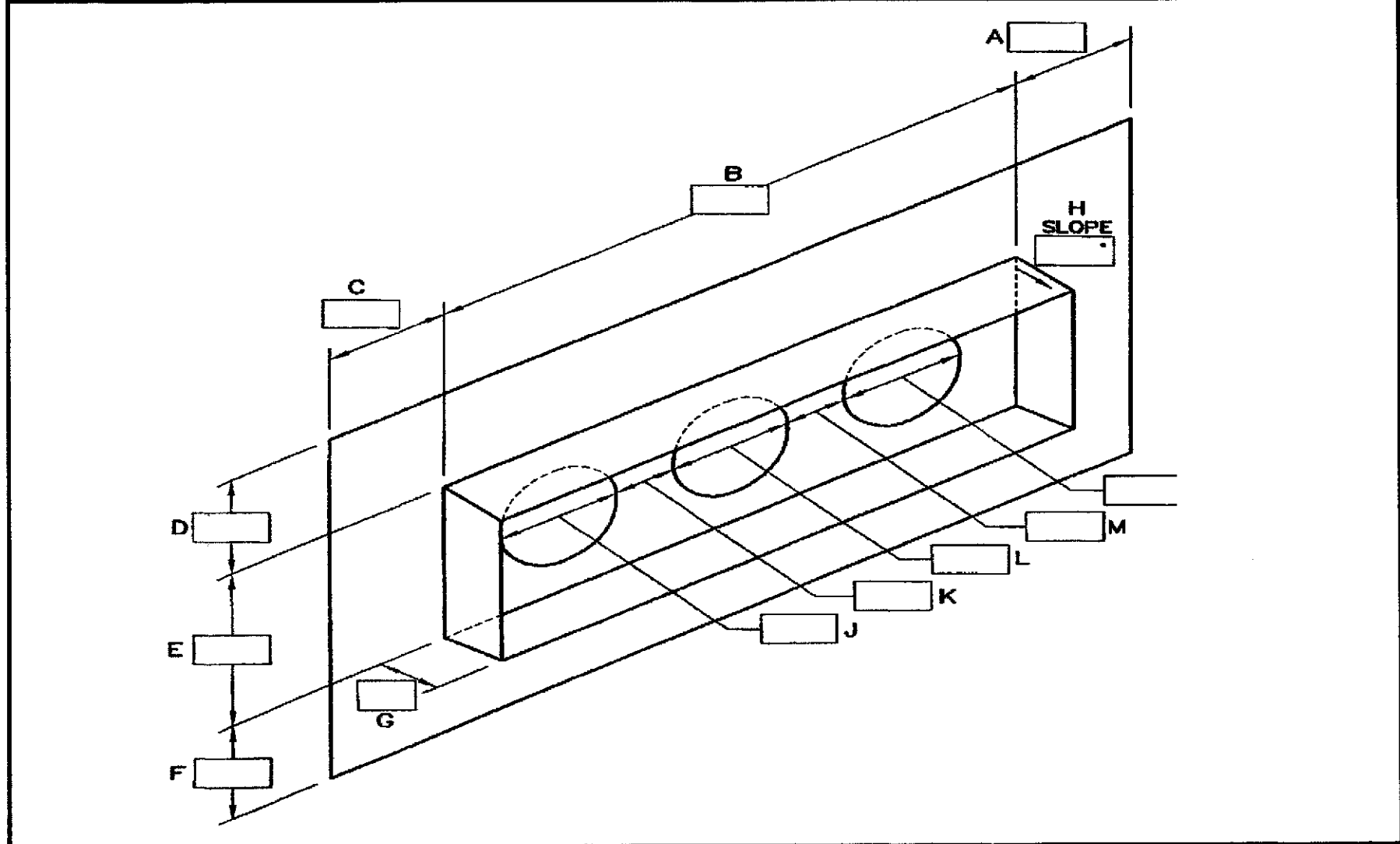
COMPANY						STR8 SHEET FABRICATIONS		
JOB NAME/#						4493 RUSSELL RD. STE. D MUKILTEO, WA 98275		
ORDERED BY:	NAME:				#:			
						PHONE: 425-789-1755 FAX: 425-789-1808		
						EMAIL: WILL@STR8FAB.COM		
MATERIAL								
GAUGE: CHECK ONE	18		20		22		24	26



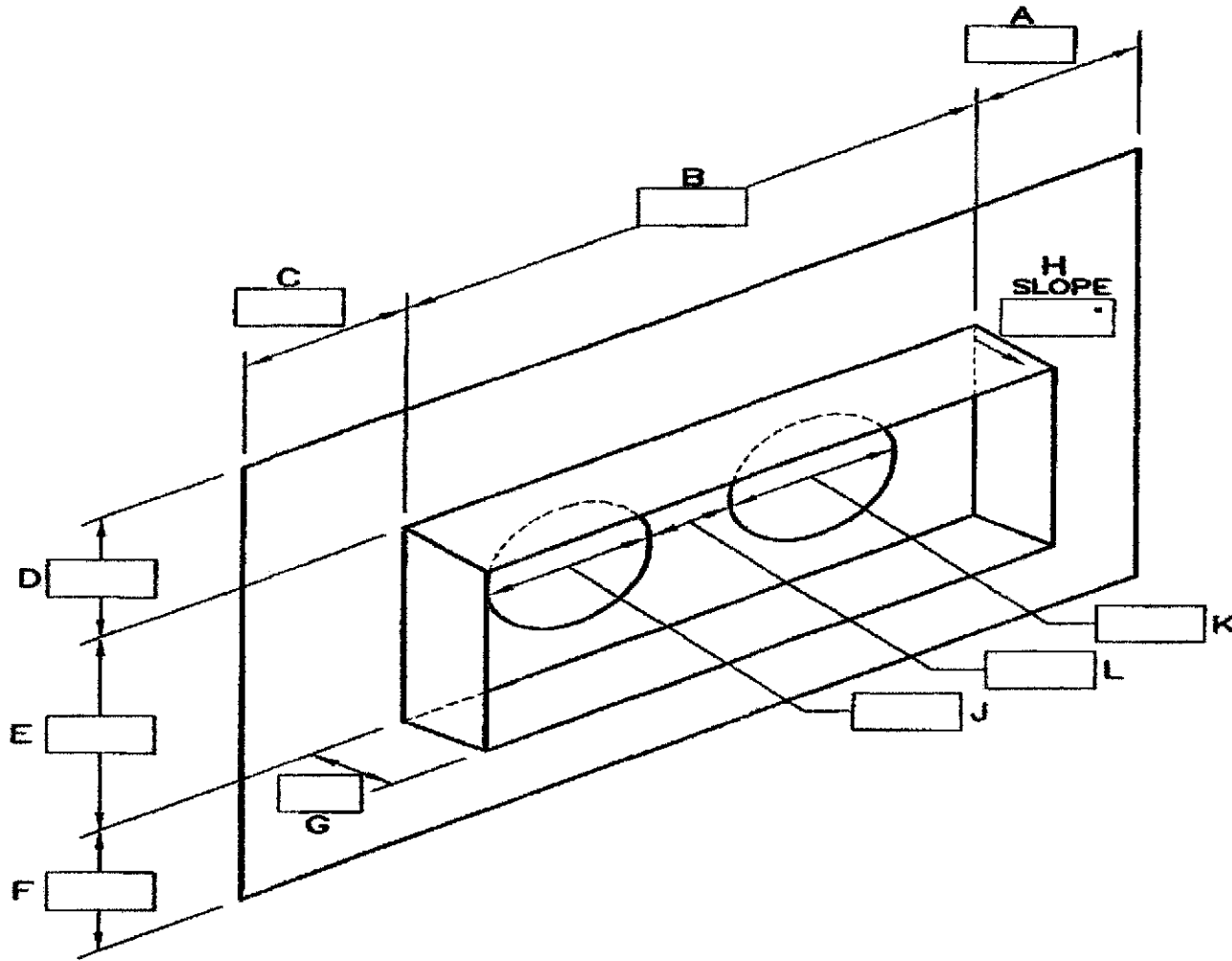
COMPANY					STR8 SHEET FABRICATIONS			
JOB NAME/#					4493 RUSSELL RD. STE. D MUKILTEO, WA 98275			
ORDERED BY:	NAME:		#:		PHONE: 425-789-1755		FAX: 425-789-1808	
					EMAIL: WILL@STR8FAB.COM			
MATERIAL								
GAUGE: CHECK ONE	18		20		22		24	26



COMPANY						STR8 SHEET FABRICATIONS		
JOB NAME/#						4493 RUSSELL RD. STE. D MUKILTEO, WA 98275		
ORDERED BY:	NAME:					PHONE: 425-789-1755		FAX: 425-789-1808
						EMAIL: WILL@STR8FAB.COM		
MATERIAL								
GAUGE: CHECK ONE	18		20		22		24	26



COMPANY						STR8 SHEET FABRICATIONS		
JOB NAME/#						4493 RUSSELL RD. STE. D MUKILTEO, WA 98275		
ORDERED BY:	NAME:					PHONE: 425-789-1755		FAX: 425-789-1808
						EMAIL: WILL@STR8FAB.COM		
MATERIAL								
GAUGE: CHECK ONE	18		20		22		24	26



COMPANY						STR8 SHEET FABRICATIONS				
JOB NAME/#						4493 RUSSELL RD. STE. D MUKILTEO, WA 98275				
ORDERED BY:	NAME:		#:			PHONE: 425-789-1755		FAX: 425-789-1808		
						EMAIL: WILL@STR8FAB.COM				
MATERIAL										
GAUGE: CHECK ONE	18		20		22		24		26	

