



DIVISION 9 ENGINEERED-TO-ORDER WOOD CEILINGS

TOLL-FREE 888.767.9990
 FACSIMILE 888.767.9998

www.9wood.com
 engineering@9wood.com

PROJECT
 2100 - PANELIZED
 LINEAR

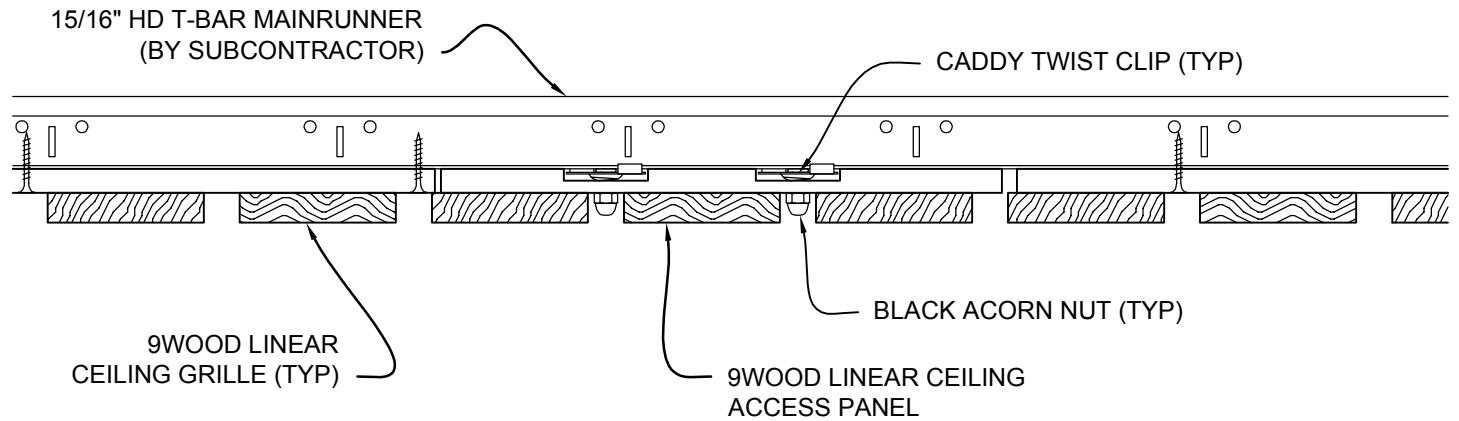
TOLERANCES:
 IF APPLICABLE, AND UNLESS OTHERWISE
 NOTED, THE TOLERANCE WILL BE $\pm 1/32"$.
 .XX ± 0.01
 .XXX ± 0.005
 X° $\pm 1^\circ$

REFERENCE: N/A
 PROJECT NUMBER: N/A
 CONTRACT NUMBER: N/A
 REVISION: N/A
 DATE: 11/22/11
 CAD FILE: 2100.0.0.CADDY CLIP ACCESS
 DRAWN BY: AWM
 CHECKED BY: PWS

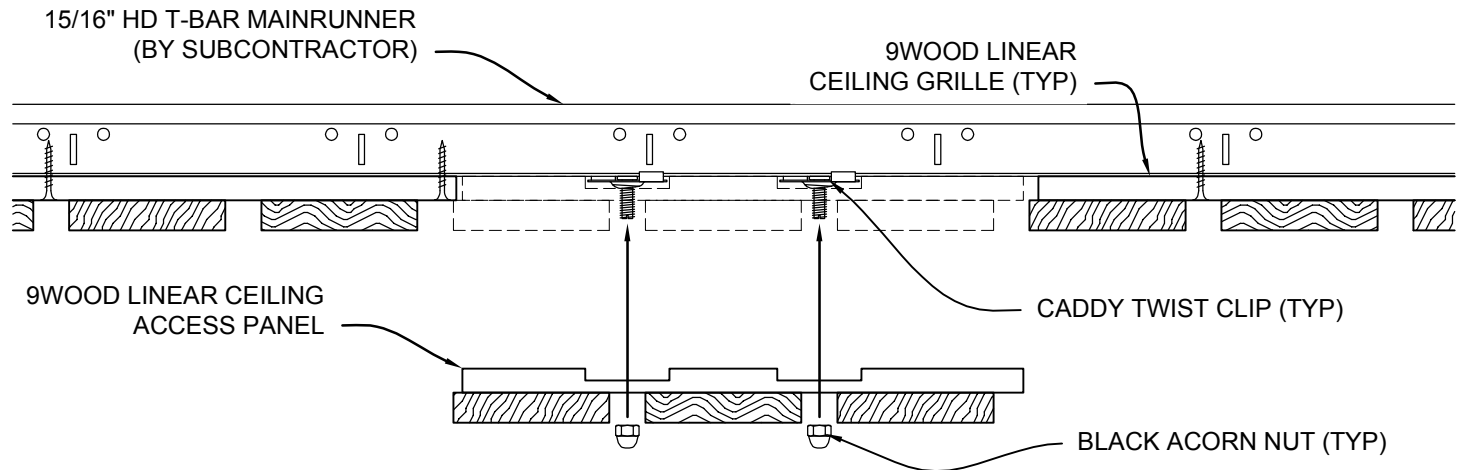
THIS DOCUMENT CONTAINS PROPRIETARY
 INFORMATION OF 9WOOD INC.
 COPYRIGHT 9WOOD INC. 2011
 ALL RIGHTS RESERVED.

SHEET TITLE
 SECTION DETAIL -
 CADDY CLIP ACCESS

Z-501
 SHEET 1 OF 1



B1 PANEL PREVIOUSLY INSTALLED
 SCALE: 1/4" = 1"
 0 2" 4" 8"



A1 PANEL BEING INSTALLED
 SCALE: 1/4" = 1"
 0 2" 4" 8"