

The easiest way to find privacy

Every office deserves a silent space

Keep personal chats uninterrupted



Soundproof

Keep your conversations private while keeping background noise out.



Ventilation

Chatbox uses the same technology that keeps our larger phone booths ventilated, ensuring fresh air throughout your time spent inside.



Made by Silen Space acoustics specialists

Made by the team behind Silen Space, the Chatbox is a simplified version of our most popular phone booth, leaving you with its essential purpose in its simplest functional form.



Quick assembly

It takes about 30 minutes for two people to assemble – and you only need one tool.

Simple assembly, simple choices

Black

Black offers a striking visual accent and attracts attention.

Left- AND right-handed door in one

You can change the door handedness at any time.



White

White is an elegant and unobtrusive choice for light-toned rooms.

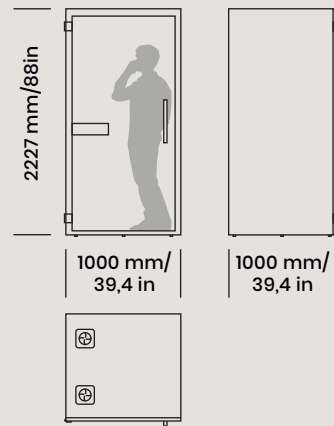
Accessories? Check.

Whiteboard and screen brackets with cable management are available with Chatbox.

Room for everyone

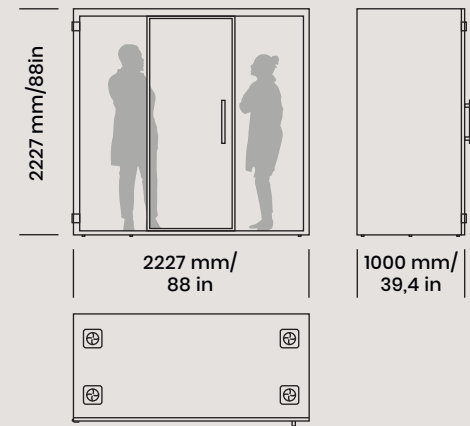
CHATBOX

A space to focus on your own or make uninterrupted phone calls.

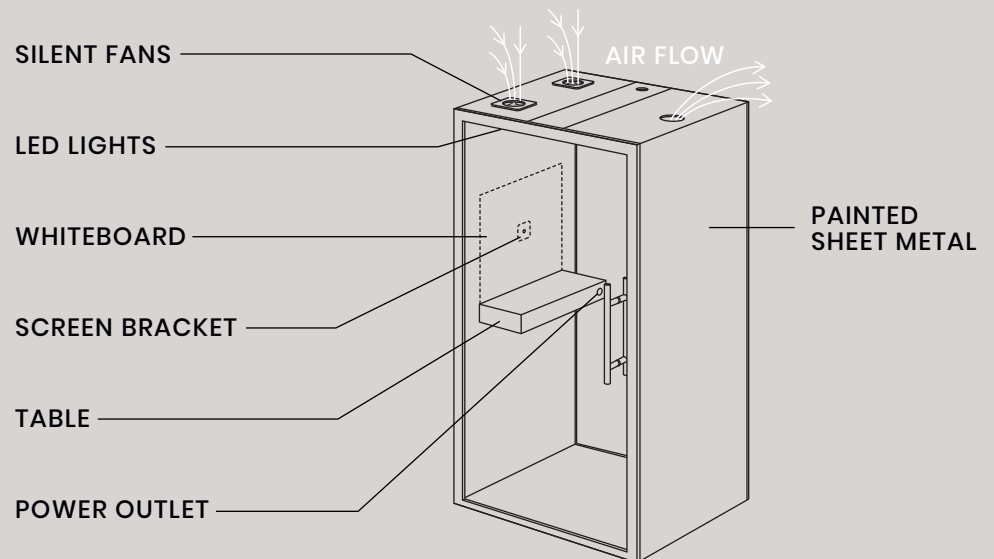


CHATBOX DUO

Room for two people to work or have a conversation, the Chatbox Duo also provides a comfortable space for solo video chats.



Designed for maximum comfort and efficiency



Product info

Size	CHATBOX	1000 x 2227 x 1000 mm 39,4 x 88 x 39,4 in
	CHATBOX DUO	2227 x 2227 x 1000 mm 88 x 88 x 39,4 in
Weight	CHATBOX	240 kg/529 lbs
	CHATBOX DUO	470 kg/1036 lbs
Door	left- and right-handed door in one	
Floor	carpet	
Exterior colors	black or white	
Interior color	dark grey	

Affordable

Direct from our factory to you, Chatbox is shipped flat packed through regular mail service, making it more affordable than other phone booths.

Easy assembly: 2 people + 30 min + 1 tool

No installer needed to set up Chatbox. Just call your friend for a little half-hour meeting. Done!

Durable means sustainable

Well thought-out form, construction, and choice of material allows for extended durability. In addition, easy assembly and disassembly allow you to take it to your next office space.