

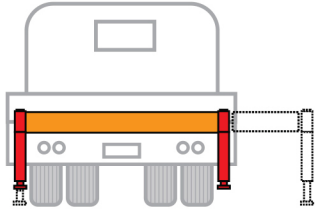
# BIGMAX<sup>®</sup>

BY DRIVE PRODUCTS

# OUTRIGGER STABILIZERS

## BIGMAX Outrigger Type B

### Type B



#### Cross Beam/1 Extension

This type of outrigger has a cross beam with only one side extension. While it can be used with any side mounted equipment, it is often used in conjunction with service bodies to stabilize corner mounted cranes.

Type B outrigger stabilizers are available in three sizes to be used with cranes ranging in size from 4 to 31 t/m. Type B models come with a manual or hydraulic extension and an adjustable, non-adjustable or tilt up leg.



*Continued on next page*



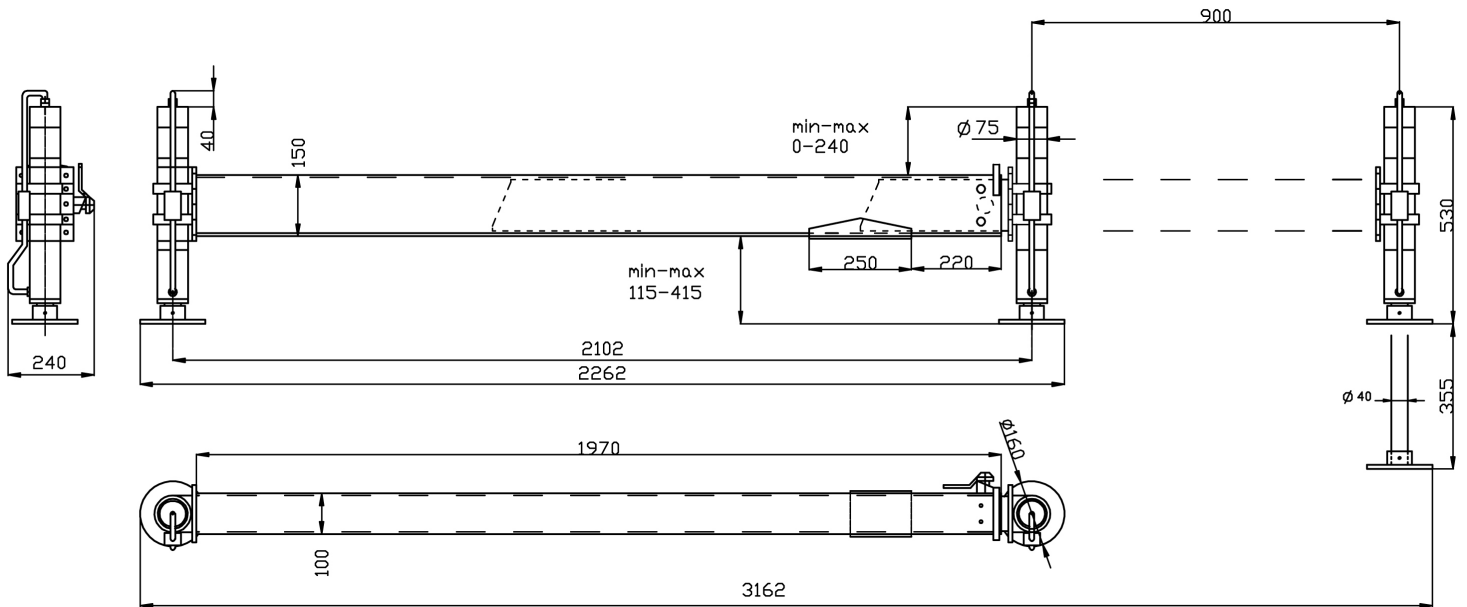
[www.driveproducts.com](http://www.driveproducts.com)

**BIGMAX by Drive Products**

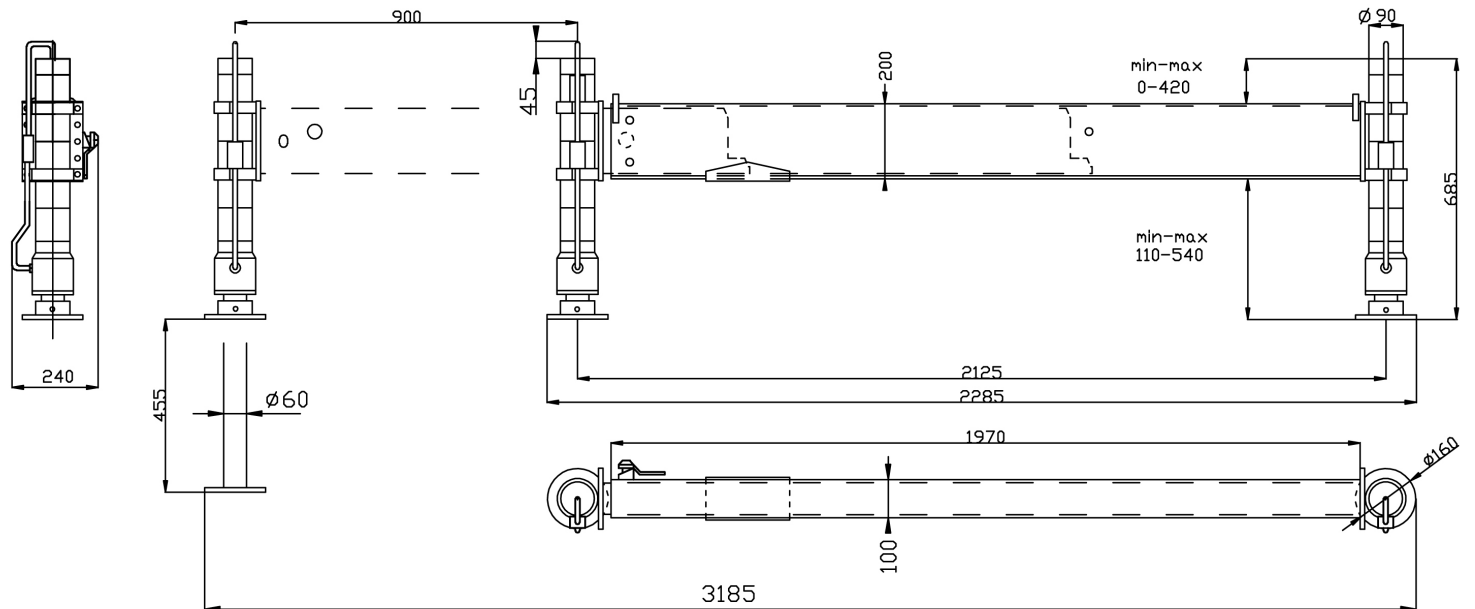
Toll free: 800-661-7335 | [jvehse@driveproducts.com](mailto:jvehse@driveproducts.com)

# BIGMAX Outrigger Type B | pg.2

## Size 0 (Max. Cylinder Load Rating 2950 daN)



## Size 1 (Max. Cylinder Load Rating 6250 daN)



Continued on next page

