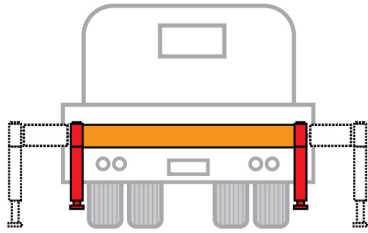




BIGMAX Outrigger Type E

Type E



Cross Beam/2 Extensions

This is the most common outrigger used in conjunction with cranes, aerial devices, boom trucks and digger derricks. A conventional cross beam stabilizer has two side extensions and two hydraulic legs. This type of outrigger stabilizer comes with fixed, tilt up or adjustable legs and manual or pilot-operated lock valves

Type E outriggers can be used as main or auxiliary stabilizers and can be mounted above or below the vehicle frame.

We offer five styles of Type E stabilizers suitable for a range of applications and equipment.



BIGMAX CRANES by Drive Products

26230 Township Rd 531A,
#111
Acheson, AB T7X 5A4

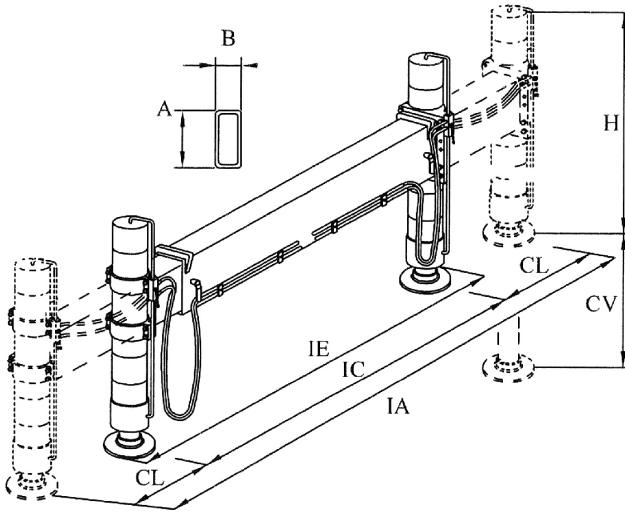
Toll free: 800-661-7335
jvehse@driveproducts.com

Type E Outrigger Stabilizer Styles	Crane Size	Application	Leg Options
In-Line Beam	2 - 31 t/m	for single axle trucks	Adjustable, non-adjustable or tilt-up
Parallel Beam	10 - 50 t/m	for intermediate sized tandem axle trucks	Adjustable, non-adjustable or tilt-up
Parallel Beam Plus	40-70 t/m	with internal tubing suitable for rugged environments	Adjustable, non-adjustable or tilt-up
Parallel Beam Under Chassis Mount	30 - 80 t/m	for special applications demanding a lower centre of gravity and compact mounting	Adjustable or tilt-up
Parallel Beam Extra Wide	Up to 120 t/m	for heavy duty tandem triple-axle trucks	Adjustable leg only

Continued on next page

In-Line Beam (for single axle trucks/ cranes <31 t/m)

Type E In-Line Beam



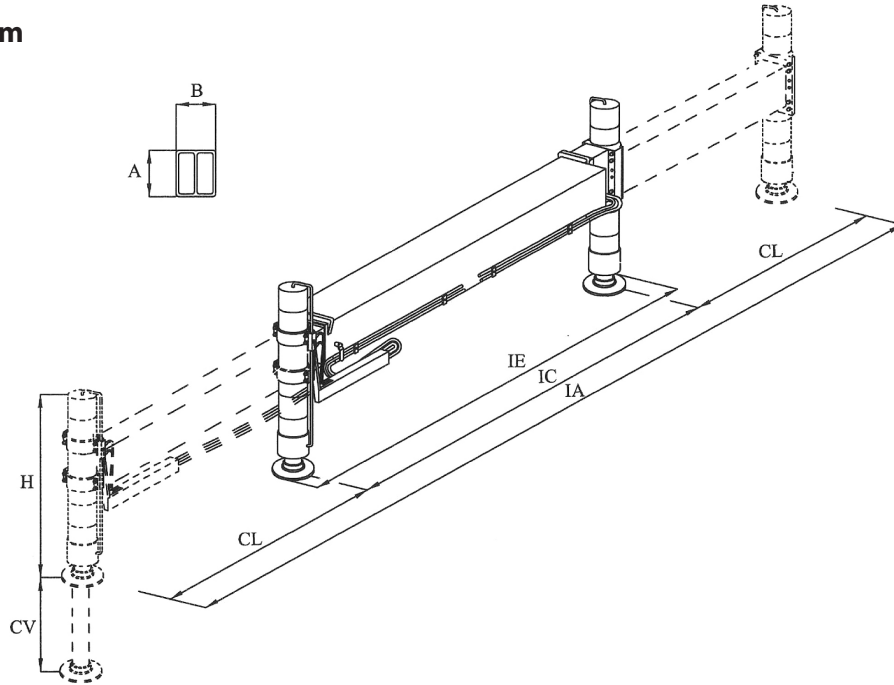
Note: Ratings below are for auxiliary outrigger stabilizers only. For basic information required to select primary (main) stabilizers, see How To Select Outriggers p.3.

CRANE ton-m	SE- RIES	MODEL	MAIN DIMENSIONS mm										ADJUSTABLE LEG CYLINDER DIMENSIONS mm		
			IE	IC	CL	IA	AxB	CV	ØP	ØE1	ØS	H	Peso kg	J min-max	K min-max
2-4	0A-C	TD-EML/S-CR	1720	1560	450	2460	120x80	355	160	75	40	530	105	125-425	0-330
	0A	TD-EML/S-CR	1960	1800	500	2800	120x80	355	160	75	40	530	115	125-425	0-330
4-10	0D	TD-EML/S-CR	1970	1810	440	2690	150x100	355	160	75	40	530	130	115-415	0-240
	0C	TD-EML/S-CR	2070	1910	500	2910	150x100	355	160	75	40	530	140	115-415	0-240
	0	TD-EML/S-CR	2260	2100	600	3300	150x100	355	160	75	40	530	150	115-415	0-240
10-23	1	TD-EML/S-CR	2260	2100	600	3300	200x100	455	160	90	60	685	210	110-540	0-420
	1	TD-EML/L-CR	2260	2100	600	3300	200x100	580	160	90	60	810	220	110-640	0-540
	1	TD-EML/S-CR	2260	2100	600	3300	200x100	455	160	90	60	685	225	110-540	0-420
	1	TD-EML/L-CR	2260	2100	600	3300	200x100	580	160	90	60	810	235	110-640	0-540
18-31	2	TD-EML/C-CR	2300	2100	600	3300	200x120	470	200	100	60	700	245	100-550	0-440
	2	TD-EML/S-CR	2300	2100	600	3300	200x120	550	200	100	60	780	250	100-640	0-530
	2	TD-EML/L-CR	2300	2100	600	3300	200x120	635	200	100	60	865	255	100-	0-
	2	TD-EML/C-CR	2300	2100	600	3300	200x120	470	200	100	60	700	260	100-550	0-440
	2	TD-EML/S-CR	2300	2100	600	3300	200x120	550	200	100	60	780	270	100-640	0-530
	2	TD-EML/L-CR	2300	2100	600	3300	200x120	635	200	100	60	865	280	100-	0-

Continued on next page

Parallel Beam (tandem axle trucks/ cranes <50 t/m)

Type E Parallel Beam



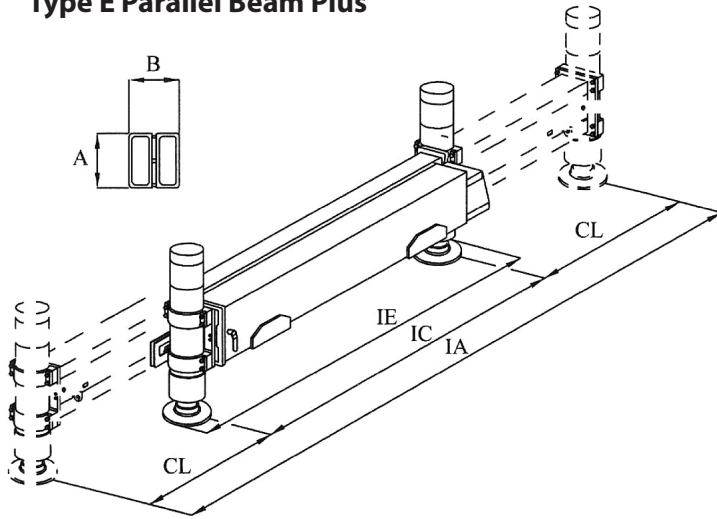
Note: Ratings below are for auxiliary outrigger stabilizers only. For basic information required to select primary (main) stabilizers, see How To Select Outriggers p.3.

CRANE ton-m	SE- RIES	MODEL	MAIN DIMENSIONS mm										ADJUSTABLE LEG CYLINDER DIMENSIONS mm		
			IE	IC	CL	IA	AxB	CV	ØP	ØE1	ØS	H	Peso kg	J min-max	K min-max
10-23	1	TD-EMP/S-CR	2260	2100	1150	4400	200x200	455	160	90	60	685	290	110-540	0-420
	1	TD-EMP/L-CR	2260	2100	1150	4400	200x200	580	160	90	60	810	300	110-640	0-540
	1	TD-EHP/S-CR	2260	2100	1150	4400	200x200	455	160	90	60	685	320	110-540	0-420
	1	TD-EHP/C-CR	2260	2100	1150	4400	200x200	580	160	90	60	810	330	110-640	0-540
18-31	2	TD-EMP/S-CR	2300	2100	1300	4700	200x235	470	200	100	60	700		100-550	0-450
	2	TD-EMP/S-CR	2300	2100	1300	4700	200x235	550	200	100	60	780	350	100-640	0-540
	2	TD-EMP/L-CR	2300	2100	1300	4700	200x235	635	200	100	60	865		100-730	0-610
	2	TD-EHP/C-CR	2300	2100	1300	4700	200x235	470	200	100	60	700	380	100-550	0-450
	2	TD-EHP/S-CR	2300	2100	1300	4700	200x235	550	200	100	60	780	390	100-640	0-540
	2	TD-EHP/L-CR	2300	2100	1300	4700	200x235	635	200	100	60	865	400	100-730	0-610
20-38	3	TD-EHP/C-CR	2400	2200	1400	5000	250x235	470	200	100	60	750	435	135-585	0-410
	3	TD-EHP/S-CR	2400	2200	1400	5000	250x235	550	200	100	60	830	440	135-675	0-500
	3	TD-EHP/L-CR	2400	2200	1400	5000	250x235	635	200	100	60	915	460	135-760	0-540
30-50	4	TD-EHP/C-CR	2400	2200	1400	5000	300x235	565	200	110	70	840	540	120-620	0-470
	4	TD-EHP/S-CR	2400	2200	1400	5000	300x235	735	200	110	70	1000	570	120-	0-

Continued on next page

Parallel Beam Plus (with internal tubing/cranes <70 t/m)

Type E Parallel Beam Plus



Note: Ratings below are for auxiliary outrigger stabilizers only. For basic information required to select primary (main) stabilizers, see How To Select Outriggers below.

CRANE ton-m	SE- RIES	MODEL	MAIN DIMENSIONS mm										ADJUSTABLE LEG CYLINDER DIMENSIONS mm		
			IE	IC	CL	IA	AxB	CV	ØP	ØE1	ØS	H	Weight kg	J min-max	K min-max
30-50	4-TI	TD-EHP/C-CR	2400	2200	1400	5000	300x235	565	200	110	70	685	570	120-620	0-470
	4-TI	TD-EHP/S-CR	2400	2200	1400	5000	300x235	735	200	110	70	810	600	120-	0-
50-80	5-TI	TD-EHP/C-CR	2400	2200	1400	5000	305x280	460	200	120	90	700	740		0-
	5-TI	TD-EHP/L-CR	2400	2200	1400	5000	305x280	610	200	120	90	780	760		0-
40-70	5-TI	TD-EHPL/C-CR	2550	2350	1800	5950	320x320	460	200	120	90	750	885	170-670	0-420
	5-TI	TD-EHPL/L-CR	2550	2350	1800	5950	320x320	610	200	120	90	830	900	170-770	0-570

How to Select Outriggers

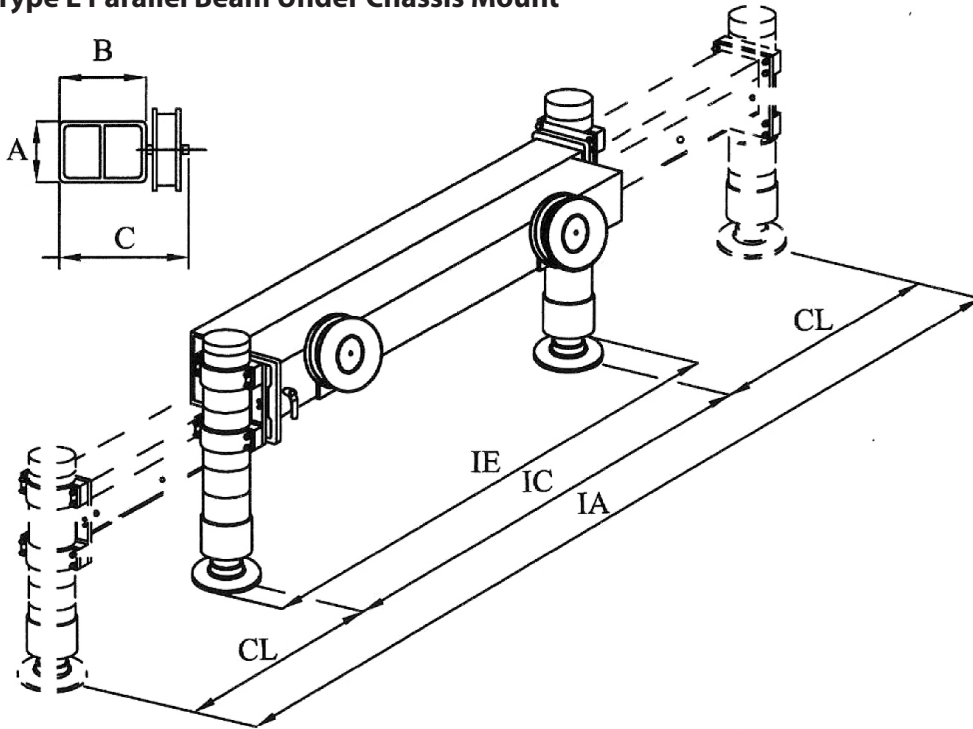
A safe lift begins with choosing the right crane and outriggers for the job. The main function of outriggers, also known as 'stabilizers', is to keep a truck and crane unit stable while in work mode. This can generally be accomplished with a single set of outriggers. In some cases, adding a second set of outriggers can create a more stable platform for loading and unloading materials. This additional support minimizes shifting and leaning creating much less stress on the equipment and the crane operator.

Another important benefit of auxiliary outriggers is the reduced wear and tear on the crane rotation system due to limited side loading. Studies have pointed to the additional repair cost and loss of productivity resulting from operating cranes without adequate outriggers.

Continued on next page

Parallel Beam Under Chassis Mount (with cranes from 30-80 t/m)

Type E Parallel Beam Under Chassis Mount



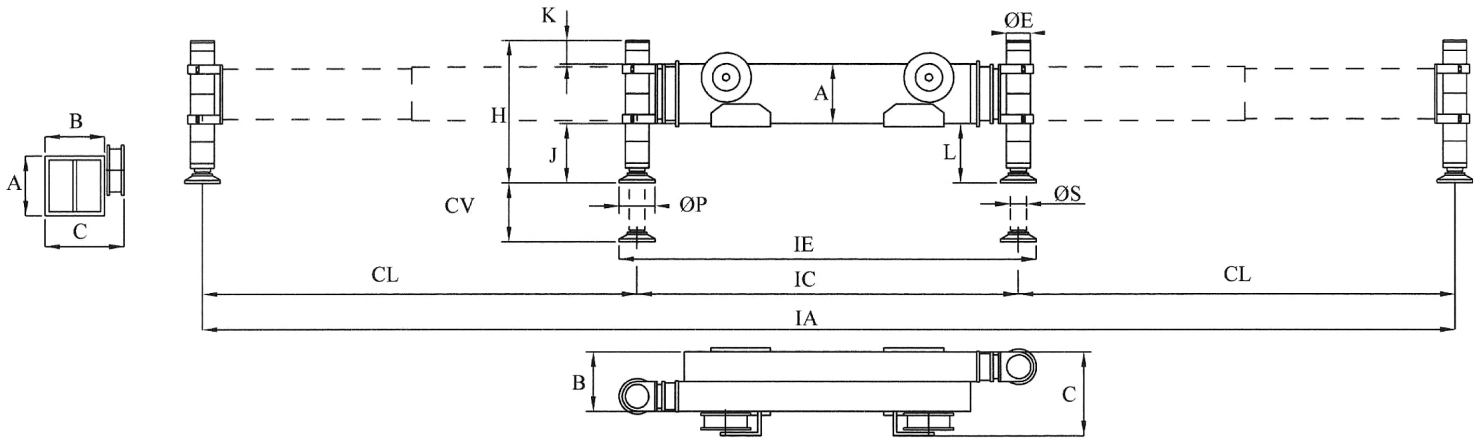
Note: Ratings below are for auxiliary outrigger stabilizers only. For basic information required to select primary (main) stabilizers, see How To Select Outriggers p.3.

CRANE ton-m	SE-RIES	MODEL	MAIN DIMENSIONS mm											ADJUSTABLE LEG CYLINDER DIMENSIONS mm		
			IE	IC	CL	IA	AxB	C	CV	ØP	ØE	ØS	H	Weight kg	J min-max	K min-max
30-50	4	TD-BLEHP/C-CR	2550	2350	1575	5500	170x435	645	565	200	110	70	840	740	230-630	80-485
	4	TD-BLEHP/S-CR	2550	2350	1575	5500	170x435	645	735	200	110	70	1000	760		
50-80	5	TD-R-EHP/C-CR	2550	2350	1800	5950	250x400	610	460	200	120	90	850	900	170-670	0-420
	5	TD-R-EHP/L-CR	2550	2350	1800	5950	250x400	610	610	200	120	90	1000	920	170-770	0-570
40-70	5	TD-R-EXHP/C-CR	2500	2300	1800	6900	270x400	610	460	200	120	90	850	1060	150-650	0-430
	5	TD-R-EXHP/L-CR	2500	2300	1800	6900	270x400	610	610	200	120	90	1000	1080	150-750	0-580

Continued on next page

Parallel Beam Extra Wide (with cranes from 50-120 t/m)

Type E Parallel Beam Extra Wide



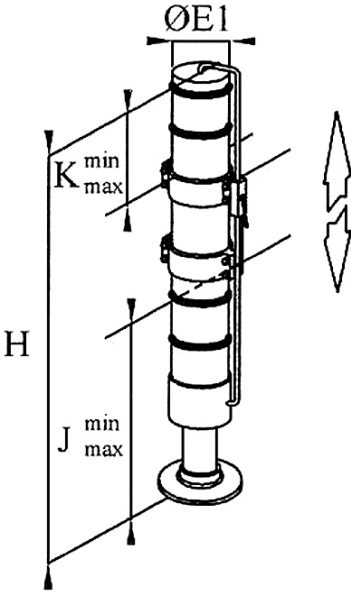
Note: Ratings below are for auxiliary outrigger stabilizers only. For basic information required to select primary (main) stabilizers, see How To Select Outriggers p.3.

CRANE ton-m	SE- RIES	MODEL	MAIN DIMENSIONS mm											ADJUSTABLE LEG CYLINDER DIMENSIONS mm			
			IE	IC	CL	IA	AxB	C	L	CV	ØP	ØE	ØS	H	Weight kg	J min- max	K min- max
50-80	5	TD-EXHP/C-CR	2500	2300	2300	6900	320x350		510	460	200	120	90	840	1060	150-650	0-430
	5	TD-EXHP/L-CR	2500	2300	2300	6900	320x350		660	610	200	120	90	1000	1080	150-750	0-580
	5	TD-EXHPL/C-CR	2500	2300	2800	7900	325x350	560	120	460	200	120	90		1200	120-620	0-440
	5	TD-EXHPL/L-CR	2500	2300	2800	7900	325x350	560			200	120	90		1230		
70-100	6	TD-EXHPL/C-CR	2500	2300	2800	7900	330x446	656	170	460	200	120	90	850	1560	220-520	0-350
	6	TD-EXHPL/L-CR	2500	2300	2800	7900	330x446	656	170	610	200	120	90	1000	1580	220-620	0-530
80-120	7	TD-EXHPL/C-CR	2550	2350	3000	8350	360x530	740	140	470	200	120	100	850	2040	100-640	0-410
	7	TD-EXHPL/L-CR	2550	2350	3000	8350	360x530	740	140	610	200	120	100	1000	2090	100-610	0-710

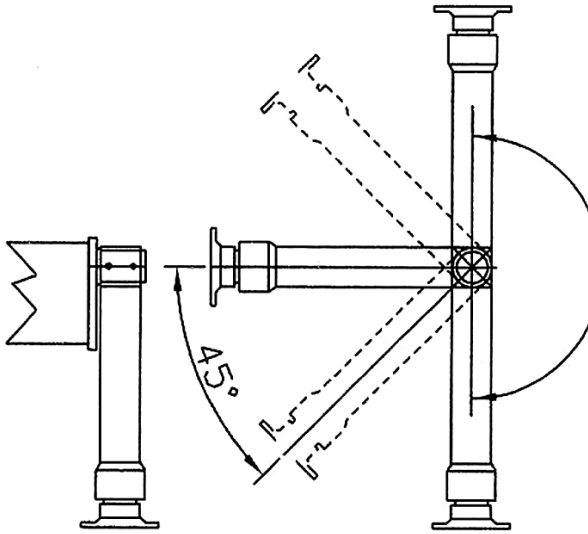
Continued on next page

Leg Options

Adjustable leg



Tilt-up leg



Non-adjustable leg

