



VERWOL WALL PARTITIONS
SOUND INSULATING, STYLISH AND SUSTAINABLE



VERWOL

Wij maken het!

CFNY innovative
group workplace
solutions





Verwol wall partitions

Verwol has been developing, manufacturing, supplying and installing high-quality wall partitions and doors for more than 45 years.

We have our own engineers, a production facility of 12,000 square meters and assembly teams. With this we guarantee quality, flexibility and enable customization.

We make it

- We produce wall partitions, doors and other fit-out products in-house; *we make it!*
- Technical challenges, custom challenges, never realized before? *we make it!*

Facts and figures Verwol

1976

Founded in



130 permanent employees



Solvency 45%



2 offices



Yearly turnover
€50 million



Total production wall
partitions

6.000 km¹ wall partitions



We could fence NL, LU, BE
and FR with all the walls
produced





Characteristics Verwol wall partitions

- The highest sound insulation in the market, supported by sound sheets
- Produced on the basis of C2C Silver principles
- Disassembly and reassembly possible in case of layout changes
- Head tracks and base tracks of just 1.18 inches which makes it possible to connect glazed wall partitions and closed walls perfectly.

Production facility

Verwol wall partitions and doors are produced in our own factory in The Netherlands and stored in a conditioned environment. This makes just-in-time management possible and with this we create customization possibilities.





Verwol wall partitions



Slimline Clearvision 30
Single glass, Rw=39dB, tracks: 1.18 inches, glass to glass connection: flush-joint



Slimline Clearvision 100
Double glazed, Rw=49dB, tracks: 1.18 inches, glass to glass connection: flush-joint



Slimline T100 glass
Rw=43dB, tracks: 1.18 inches, double glazed cassettes with T-profiles



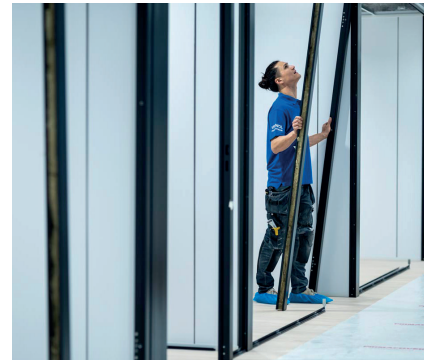
Vintage Vision
Rw=39dB, vertical and horizontal profiles for a Vintage look.



Verwol Doors
Single glazed and double glazed Alu Framed doors



Production and assembly
We produce wall partitions in our own factory and assemble with Verwol teams





Verwol Slimline Clearvision 30 single glazed



The Slimline Clearvision 30 is a single glazed wall partition from Verwol with slim head tracks and base tracks of only 1.18 inches. This glazed wall partition is produced based on Cradle to Cradle Silver principles and has profile- and sealant-free transitions between the glass panels. A sustainable choice that suits a modern office!

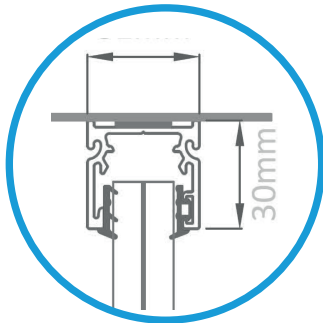


Type of wall partition	Rw-value	DnT,A(LAB)	Thickness
Slimline Clearvision 30	Rw=39dB	DnT,A=38dB (LAB)	1 3/16 inches
Slimline Clearvision 25	Rw=36dB	DnT,A=35dB (LAB)	1 3/16 inches

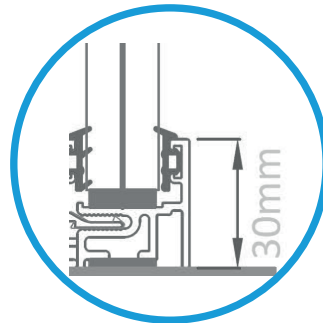


Verwol Slimline Clearvision 30 single glazed

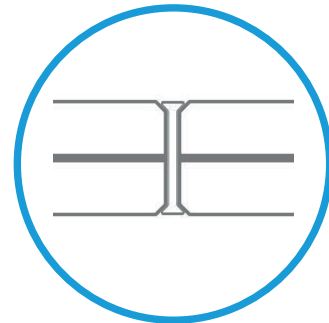
Details Slimline Clearvision 30



Head track
Clearvision 30



Base track
Clearvision 30



Flushjoint glass to glass
connection Clearvision 30

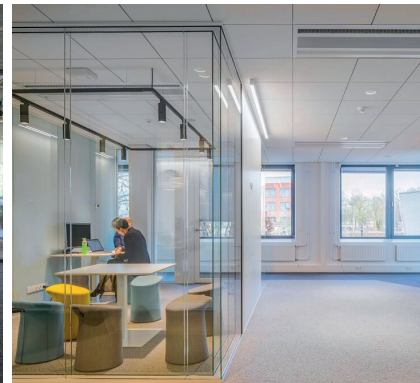
Specifications Slimline Clearvision 30

- Thickness: 1 3/16 inches
- Width of the glass panels: max 35.43 inches with fitting pieces
- Height: up to 10 feet
- Wall profiles: aluminum
- Head tracks: 1 3/16 inches, flat with an integrated picture rail
- Base tracks: 1 3/16 inches, flat
- Glass to glass connection: Transparent and sound insulating flush joint
- Profile colors: standard Verwol RAL color, other colors on request





Verwol Slimline Clearvision 100 double glazed



The Slimline Clearvision 100 is a double glazed wall partition from Verwol with slim head tracks and base tracks of only 1.18 inches. This glazed wall partition is produced based on Cradle to Cradle Silver principles and has profile- and sealant-free transitions between the glass panels. A sustainable choice that suits a modern office!

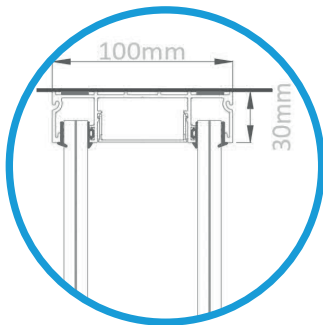


Type of wall partition	Rw-value	DnT,A(LAB)	Thickness
Slimline Clearvision 100	Rw=49dB	DnT,A=47dB (LAB)	4 inches
Slimline Clearvision 100	Rw=46dB	DnT,A=45dB (LAB)	4 inches
Slimline Clearvision 100	Rw=44dB	DnT,A=43dB (LAB)	4 inches

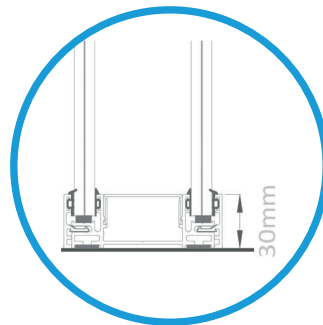


Verwol Slimline Clearvision 100 double glazed

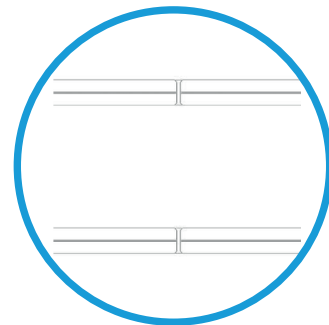
Details Slimline Clearvision 100



Head tracks
Clearvision 100



Base tracks
Clearvision 100



Flushjoint glass to glass
connection Clearvision 100

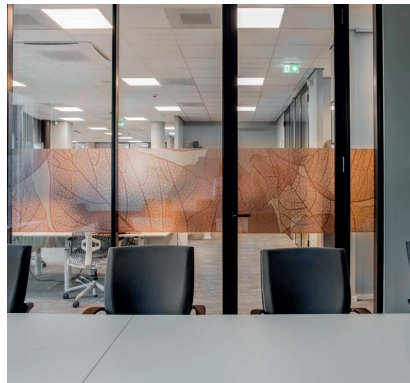
Specifications Slimline Clearvision 100

- Thickness: 4 inches
- Width of the glass panels: max 35.43 inches with fitting pieces
- Height: up to 10 feet
- Wall profiles: aluminum
- Head tracks: 1 3/16 inches, flat with an integrated picture rail
- Base tracks: 1 3/16 inches, flat
- Glass to glass connection: Transparent and sound insulating flush joint
- Profile colors: standard Verwol RAL color, other colors on request





Verwol Slimline T100 glass



The Slimline T100 is a glazed cassette wall partition with slim head tracks and base tracks of only 1.18 inches. This glazed wall partition is produced based on Cradle to Cradle Silver principles and has T-profiles between the glazed cassettes. A sustainable choice that suits a modern office!

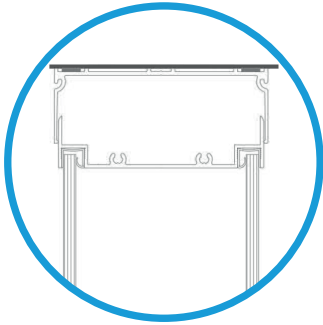


Type of wall partition	Rw-value	DnT,A(LAB)	Thickness
T100 glass	Rw=43dB	DnT,A=42dB (LAB)	4 inches
T100 glass	Rw=40dB	DnT,A=39dB (LAB)	4 inches

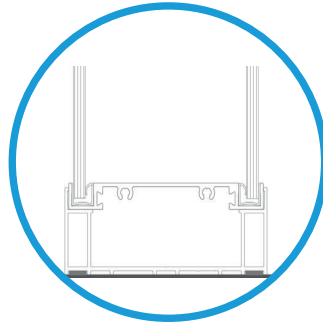


Verwol Slimline T100 glass

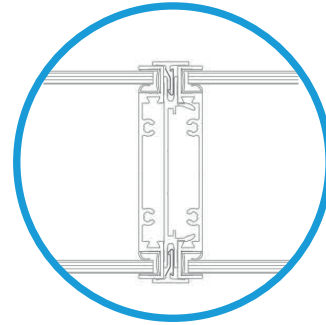
Details Slimline T100 glass



Head track
T100 glass



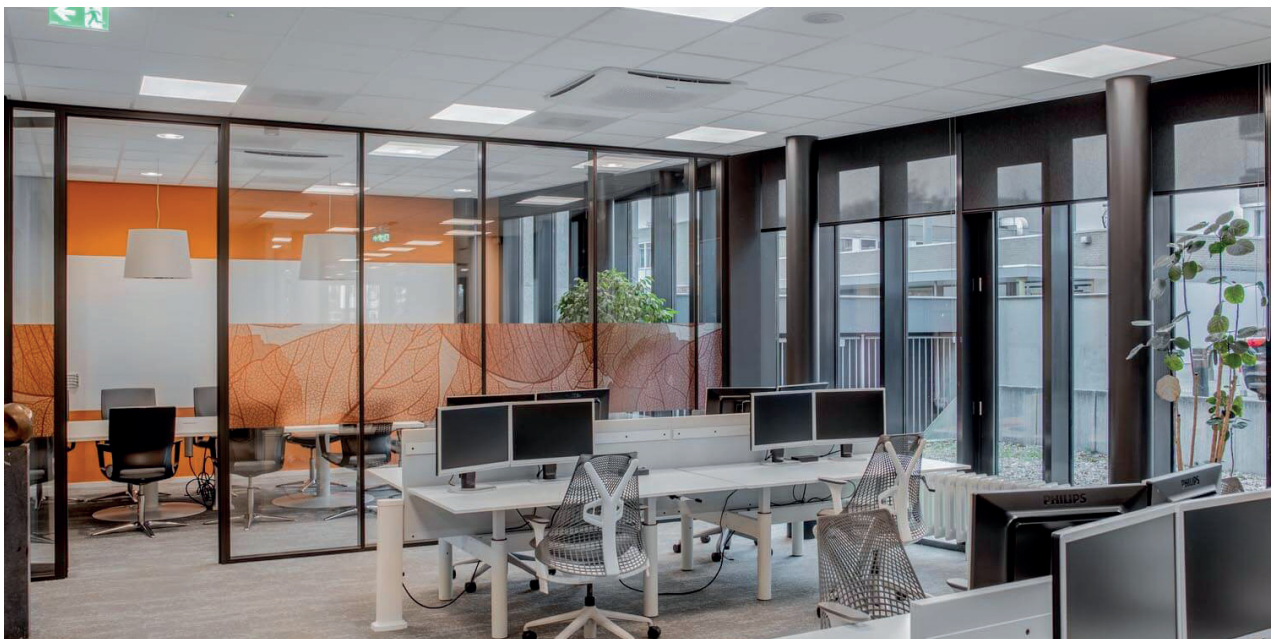
Base track
T100 glass



T100 glass to glass
connection

Specifications Slimline T100 glass

- Thickness: 3.94 inches
- Width of the glass cassettes: max 35.43 inches with fitting pieces
- Height: up to 118 1/10 inches
- Wall profiles: aluminum
- Head tracks: 1 3/16 inches, flat with an integrated picture rail
- Base tracks: 1 3/16 inches, flat
- Glass to glass connection: T profile
- Profile colors: standard Verwol RAL color, other colors on request





Verwol Vintage Vision



The Vintage Vision is a glass partition wall with horizontal and vertical partial line profiles for a vintage look.

You have a wide choice in the detailing and pattern of the profiles. For example, you can have more or fewer profiles included in the wall and you can opt for flat profiles or profiles with an edge.



Type of wall partition	Rw-value	DnT,A(LAB)
Vintage Vision	Rw=39dB	DnT,A=38dB (LAB)
Vintage Vision	Rw=36dB	DnT,A=35dB (LAB)



Verwol Aluminum framed single glass door



Verwol's aluminum frame door is characterized by its modern character and is available with Cradle to Cradle Silver certificate. The door is stylish, can be used in any situation and has excellent acoustic properties.



Type of door	Rw,p-value*	Rw-value**	DnT,A(LAB)
Aluminum frame, single glass	Rw,p=36dB	Rw=40dB	DnT,A=34dB (LAB)

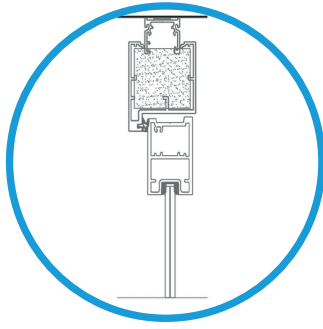
*In a suspended situation, including frame and drop seal

** Door leaf value

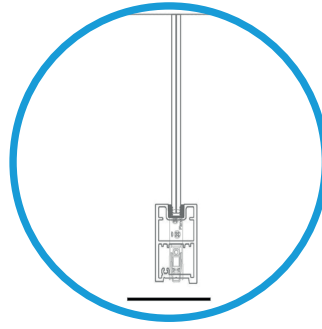


Verwol Aluminum framed single glass door

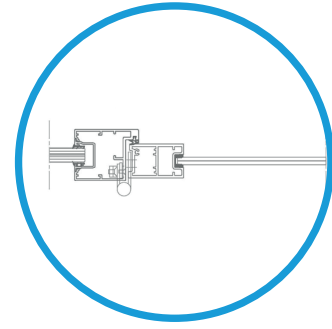
Details Aluminum framed glass door in a Slimline Clearvision Single glass wall partition



Head track
Alu-frame single glass



Base track
Alu-frame single glass



Head track horizontal
Alu frame single glass

Specifications Aluminum Framed Single Glass Doors

- Door thickness: 1.57 inches
- Door width: 36 6/10 inches standard, others on request
- Height: up to 118 1/10 inches standard, others on request
- Door profiles: aluminum, 2 5/10 inches wide
- Door frames: 2 3/10 or 4 inches thick including 3D adjustment option
- Color profiles: standard Verwol RAL color, other colors on request





Verwol Aluminum framed double glass door



Verwol's aluminum frame door is characterized by its modern and sleek character. The door is stylish, can be used in any situation and has excellent acoustic properties. The aluminum framed door is available with a Cradle to Cradle Silver certificate. A sustainable choice that suits a modern and sleek office!



Type of door	Rw,p-value*	Rw-value**	DnT,A(LAB)
Aluminum frame, double glass	Rw,p=39dB	Rw=43dB	DnT,A=38dB (LAB)

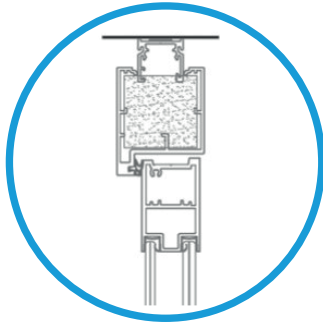
*In a suspended situation, including frame and drop seal

** Door leaf value

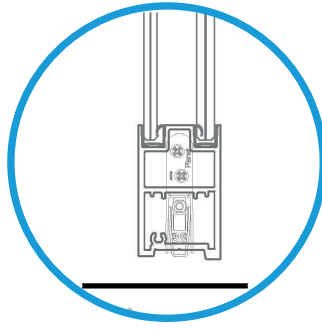


Verwol Aluminum framed double glass door

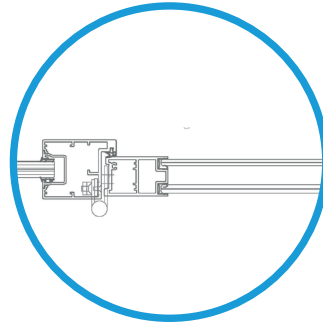
Details Aluminum framed glass door in a Slimline Clearvision Single glass wall partition



Head track
Alu-frame double glass



Base track
Alu-frame double glass



Head track horizontal
Alu frame double glass

Specifications Aluminum Framed Double Glass Doors

- Door thickness: 1 5/10 inches
- Door width: 36 6/10 inches standard, others on request
- Height: up to 118 1/10 inches standard, others on request
- Door profiles: aluminum, 2 5/10 inches wide
- Door frames: 2 3/10 or 4 inches thick including 3D adjustment option
- Color profiles: standard Verwol RAL color, other colors on request





ADDRESS

4th Floor, 110 East 30th Street, New York, NY
10016



PHONE

212-352-0030 ext.101



E-MAIL

info@icfnygroup.com

CFNY innovative
group workplace
solutions

