

Verwol Aluminum framed double glass door



Verwol's aluminum frame door is characterized by its modern and sleek character. The door is stylish, can be used in any situation and has excellent acoustic properties. The aluminum framed door is available with a Cradle to Cradle Silver certificate. A sustainable choice that suits a modern and sleek office!



Type of door	Rw,p-value*	Rw-value**	DnT,A(LAB)
Aluminum frame, double glass	Rw,p=39dB	Rw=43dB	DnT,A=38dB (LAB)

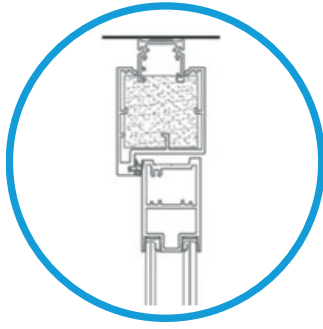
* In a suspended situation, including frame and drop seal

** Door leaf value

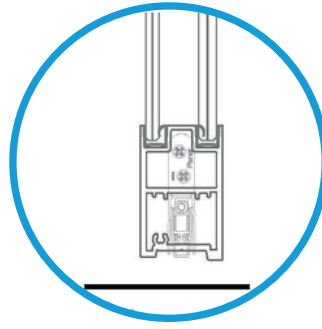


Verwol Aluminum framed double glass door

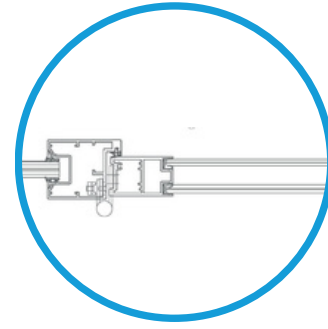
Details Aluminum framed glass door in a Slimline Clearvision Single glass wall partition



Head track
Alu-frame double glass



Base track
Alu-frame double glass



Head track horizontal
Alu frame double glass

Specifications Aluminum Framed Double Glass Doors

- Door thickness: 1 5/10 inches
- Door width: 36 6/10 inches standard, others on request
- Height: up to 118 1/10 inches standard, others on request
- Door profiles: aluminum, 2 5/10 inches wide
- Door frames: 2 3/10 or 4 inches thick including 3D adjustment option
- Color profiles: standard Verwol RAL color, other colors on request

