



CREATING A CLEANER, SAFER, HEALTHIER WORLD.



S30

MID-SIZED RIDE-ON SWEEPER

- Deliver excellent sweeping performance and dry dust control with 3-stage SweepSmart™ system
- Clean indoors and without compromising performance
- Improve operator safety with innovative cab forward design and low 80 dBA noise rating

A QUIET AND PRODUCTIVE INDOOR/OUTDOOR SWEEPER THAT TAKES ON THE TOUGHEST ENVIRONMENTS



Engineered for reliable, industrial-strength sweeping, the Tennant S30 ride-on sweeper improves indoor and outdoor performance, significantly reduces sound levels and features the exclusive SweepSmart™ dust control system.

EXCELLENT SWEEPING PERFORMANCE

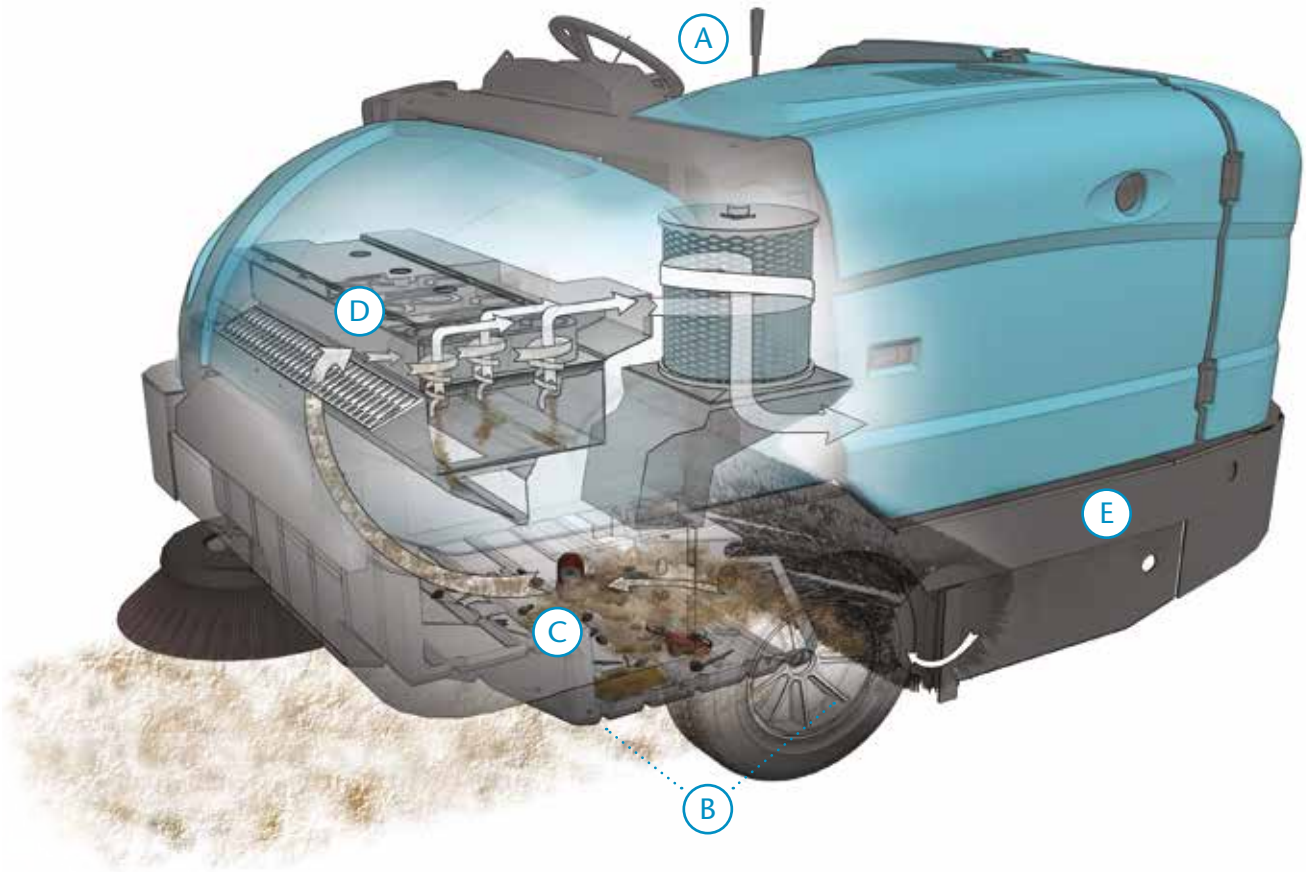
Easily pick up everything from fine grains of sand to light debris on a variety of surfaces. The Tennant S30 offers true indoor/outdoor flexibility while delivering exceptional cleaning results.

UNPARALLELED SAFETY

Focusing on safety, the Tennant S30 provides clear operator sightlines, reduced noise levels, and easy operation. This is achieved with a cab forward design, key material and system improvements.

INSIDE THE

S30



A Effectively remove different types of debris with the II-Speed™ sweep system. This increases the speed of the main brush, side brush, and vacuum fan by 20%.

B Improve sweeping results with the retractable, spring loaded flap that recirculates any debris that may escape over the main brush.

C Ensure operator safety, by alerting and shutting down sweeping functions, if increases in hopper temperature are sensed by Thermo-Sentry™.

D Provide air flow filtration and dry dust control for sweeping all floor surfaces with the SweepSmart™ system.

E Depend on long-term structural reliability with a heavy-gauge steel machine frame designed for greater strength, rigidity, and long life.

MAXIMUM PRODUCTIVITY, REDUCED COSTS, INCREASED SAFETY

- ▶ Reduce downtime, service time, and maintenance costs
 - EasyOpen™ service access
 - Onboard diagnostics and patented colour coded brush wear indicator
 - Large-capacity hydraulic oil tanks, triple accessory pumps and micro component in-line filter
 - Soft ride, higher load capacity solid tires
 - Integrated string and twine guard
- ▶ Maximise productivity indoors and outdoors
 - Dumps at any height from ground level to 1525 mm and reaches up to 760 mm into a dumpster
 - Touch-N-Go™ operation with 1-Step™ decreases operator training time
 - Rear hopper door contains debris during transport
 - II-Speed™ sweeping increases main brush, side brush, and vacuum fan speeds up to 20%
 - Dynamic steering responsiveness and rear suspension system
 - 4-wheel stability for large area cleaning (with the S30 X4 model)
- ▶ Enhance operator safety
 - ErgoSpace™ cab forward operator compartment for improved operator comfort and visibility
 - Thermo-Sentry™ hopper temperature sensor
 - Lowest noise level for an engine-powered sweeper in this class – 80 dBA



Achieve outstanding results in diverse environments with dual side brushes which, combined with a large 395 L Duramer™ hopper, allow you to sweep up to a path width of 2030 mm in a single pass.

Travel between work sites safely and quickly with the S30 X4 configuration that travels up to 24 km/h on a stable 4 wheel platform with comfortable leaf spring suspension.

Increase safety and effective operation, in even the most severe environments, with an optional FOPS (Falling Object Protection) certified (ISO 3449) cabin available with heat and air conditioning.

KEY AVAILABLE FEATURES





SIGNIFICANTLY IMPROVE AIR QUALITY

Maintain cleaner air while delivering powerful sweeping results with the SweepSmart™ dust control system. This 3-stage system filters submicron dust particles to a MERV 13 rating on the ASHRAE 20 point scale, resulting in near HEPA levels.

STAGE 1

Keep bulky debris, moisture and dirt in the hopper with the first stage Perma-filter™.

STAGE 2

Remove fine dust and moisture by redirecting it into the hopper with the second stage cyclonic filters.

STAGE 3

Filter submicron dust particulates down to 0.5 microns at 99% efficiency with a third stage, flame retardant, nanofiber canister filter.

Reliably provide a clean, safe, and productive environment with SweepSmart technology.



GENUINE TENNANT PARTS, SUPPLIES AND SERVICE

Tennant Service Offering

- Maximise safety, productivity and uptime
- Control and protect your investment and lower your total cost of ownership
- Benefit from over 200 factory-trained service technicians across Europe

Tennant Parts & Supplies

- Operate your machine with confidence
- Benefit from years of worry-free operation

Tennant Cleaning Solutions

- Further your sustainable cleaning goals
- Choose sustainable benefits your company wants

S30 RIDE-ON SWEEPER

SWEEPING SYSTEM

Cleaning path	
Single side brush	1590 mm
Dual side brush	2030 mm
Main brush	
Main brush length (<i>tubular</i>)	1145 mm
Main brush lift	Mechanical or Hydraulic
Main brush change	No-tool
Side broom	
Side broom diameter	660 mm
Debris hopper	
Volume capacity	395 L
Weight capacity (<i>plastic</i>)	490 kg
Weight capacity (<i>steel</i>)	545 kg
Dump height (<i>variable to</i>)	1525 mm
Dump reach	760 mm

DUST CONTROL SYSTEM

Filter system (<i>triple stage</i>)	
Stage 1	Perma-filter™
Stage 2	Cyclonic pre-filter
Stage 3	Nanofiber canister filter
Filter area	7.5 m ²
Dust filtration (<i>up to</i>)	0.5 microns @ 99% efficiency
Vacuum fan speed	
Normal sweeping mode	4600 rpm
Litter sweeping mode	5500 rpm
Vacuum diameter	280 mm

PROPELLING SYSTEM

Propel speed forward (<i>variable to</i>)	13/21 km/h
Propel speed reverse (<i>variable to</i>)	5 km/h
Engine-LPG	
Gross Intermittent Power*	38.5 kW (51.6 Hp) @2800 rpm
Tennant Governed Power	31.6 kW (42.4 Hp) @2300 rpm
Engine-diesel	
Gross Intermittent Power*	37.3 kW (50.0 Hp) @2300 rpm
Tennant Governed Power	18.5 kW (24.8 Hp) @2300 rpm
Gradeability	
Full hopper	10° / 18%
Empty hopper	14° / 25%
Ground clearance	100 mm

MACHINE SPECIFICATIONS

Length	2360 mm
Width	1590 mm
Height	
With overhead guard	2095 mm
Without overhead guard	1475 mm
Weight (net)	1595 kg
Minimum aisle turn	2870 mm
Sound level	80 dBA

WARRANTY

See your local representative for warranty information.

* Per SAE J1995

Specifications subject to change without notice.

SEEING IS BELIEVING

For a demonstration or additional information contact us:

TENNANT UK CLEANING SOLUTIONS LTD

0800 111 4402 (local rate UK only)
01 604 583191



sales.uk@tennantco.com
enquiries@tennantco.com

