

Dual-Thread Aerators

FEATURES AND BENEFITS

N3100, N3104, N3205, N3210



Connects with
Most Faucets

Needle Spray Model#
18 individual streams with
the perfect amount of
pressure



Bubble Spray Model
Air-induced providing a full
stream of bubble spray while
using less water



Finishes & Flow Rates

	0.5 GPM	1.0 GPM	1.5 GPM	2.2 GPM
Bubble		N3210 SAW	N3104-1.5	N3100T-2.2 N3100-2.2
Needle	N3205N	N3210N		

Water Savings Without Sacrificing Performance

- Choose 0.5, 1.0, 1.5 or 2.2 GPM Water-Saving Flow Rates, Needle Spray or Bubble Spray
- 1.0 GPM saves 55% over standard faucets*
- Dual-thread brass connection, Male: 15/16-27, Female: 55/64-27
- Housing constructed of solid, low-lead brass with high-polished chrome finish
- Installs easily without tools
- Stylish, modern fits most faucets, works well in both kitchens and baths
- Limited lifetime warranty**

POTENTIAL SAVINGS*

	Water (Gallons)	Electric (kWh)	Gas (therms)	Dollars
Water Savings	3,285			\$26
Energy Savings with Electric Water Heater		482		\$64
Energy Savings with Gas Water Heater			16	\$16

*Factors in calculating savings potential:

- 3-person households each using a bathroom faucet 2.5 minutes per day, 365 days per year
- Comparing water use with this 1.0 GPM aerator vs. a standard 2.2 GPM unit
- Water and sewer cost of \$8 per 1,000 gallons
- 8.34 BTUs to raise the temperature of 1 gallon 1°
- 500.4 BTUs to raise the temperature of 1 gallon 60° (i.e. 50° to 110° F)
- 1 million BTUs = 293 kWh
- Average cost of electricity \$0.133 per kWh (Bureau of Labor Statistics Sept 2012)
- Average cost of gas \$0.953 per therm (Bureau of Labor Statistics Sept 2012)

Corporate HQ

4200 Diplomacy Road
Fort Worth, TX 76155 USA
Toll Free: 800.831.8383
Phone: 817.391.0800 Fax: 817.391.0801
Email: info@nccgreen.com

© 2013 Niagara Conservation MSS3100_3104_3205_3210-04

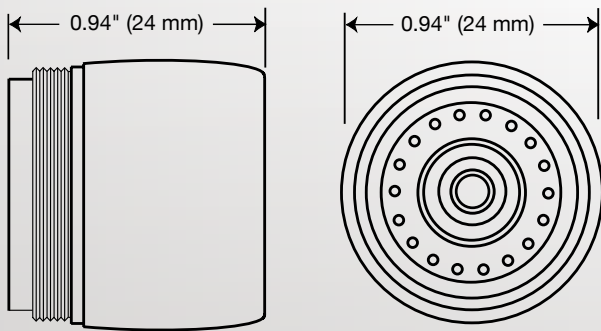


For more information please visit: www.NiagaraConservation.com

Dual-Thread Aerators

SPECIFICATIONS

N3100, N3104, N3205, N3210



*Dimensions are subject to change

Overall Dimensions	Diameter 0.94" Length 0.94"
Materials	Chrome plated parts meets ASTM B368 for corrosion testing
Threads	Dual-thread system accommodating both male and female applications, with 15/16" x 27 threads inside and 55/64" x 27 threads outside
Certifications	Meets or exceeds: ASME A112.18.1 / CSA B125.1; ANSI/NSF 61 N3104-1.5 is WaterSense Labeled - Max. Flow Rate: 1.5 GPM



Certified by
CSA Group

**WARRANTY FOR AERATORS PURCHASED AT RETAIL:

Limited Lifetime Warranty for aerators purchased at retail for as long as the original purchaser owns the product. Niagara will replace any part that, in our opinion has proved defective, provided it has not been abused, misused, altered or damaged after its purchase.

For complete product warranty details, call Niagara Conservation at 1-800-831-8383.

WARRANTY FOR AERATORS OBTAINED THROUGH WHOLESALE, MUNICIPALITIES, UTILITIES OR OTHER COMMERCIAL CHANNELS:

10-year Limited Warranty to the purchaser from the date of purchase. Niagara will replace any part that, in our opinion has proved defective, provided it has not been abused, misused, altered or damaged after its purchase.

For complete product warranty details, call Niagara Conservation at 1-800-831-8383.

1. Only N3104-1.5 is WaterSense Labeled.

Corporate HQ

4200 Diplomacy Road
Fort Worth, TX 76155 USA
Toll Free: 800.831.8383
Phone: 817.391.0800 Fax: 817.391.0801
Email: info@nccgreen.com

© 2013 Niagara Conservation MSS3100_3104_3205_3210-04



For more information please visit: www.NiagaraConservation.com

Dual-Thread Aerators

N3100, N3104, N3205, N3210

Bulk Packaging:

Plastic Bulk Bag



BULK PACKAGING

Item No	N3100, N3104-1.5, N3205N, N3210N, N3210 SAW																								
UPC Code	<table border="0"> <tr> <td>N3100T-2.2:</td> <td>None</td> <td>2.2 GPM</td> <td>Bubble</td> </tr> <tr> <td>N3100-2.2:</td> <td>None</td> <td>2.2 GPM</td> <td>Bubble</td> </tr> <tr> <td>N3104-1.5:</td> <td>732291310413</td> <td>1.5 GPM</td> <td>Bubble</td> </tr> <tr> <td>N3210N:</td> <td>732291321013</td> <td>1.0 GPM</td> <td>Needle</td> </tr> <tr> <td>N3210 SAW:</td> <td>732291321020</td> <td>1.0 GPM</td> <td>Bubble</td> </tr> <tr> <td>N3205N:</td> <td>732291320511</td> <td>0.5 GPM</td> <td>Needle</td> </tr> </table>	N3100T-2.2:	None	2.2 GPM	Bubble	N3100-2.2:	None	2.2 GPM	Bubble	N3104-1.5:	732291310413	1.5 GPM	Bubble	N3210N:	732291321013	1.0 GPM	Needle	N3210 SAW:	732291321020	1.0 GPM	Bubble	N3205N:	732291320511	0.5 GPM	Needle
N3100T-2.2:	None	2.2 GPM	Bubble																						
N3100-2.2:	None	2.2 GPM	Bubble																						
N3104-1.5:	732291310413	1.5 GPM	Bubble																						
N3210N:	732291321013	1.0 GPM	Needle																						
N3210 SAW:	732291321020	1.0 GPM	Bubble																						
N3205N:	732291320511	0.5 GPM	Needle																						
Type of Packaging	Kraft Corrugated																								
Pack Quantities	Plastic Bulk Bag - 500 6-Pack Plastic Tubes - 504																								
Dimensions of Master	Plastic Bulk Bag - Width 8.75" Height 8" Depth 8.5" 6-Pack Plastic Tubes - Width 5.5" Height 16.125" Depth 6.875"																								
Weight of Master	15 lbs																								

Bulk Packaging:

6-Pack Plastic Tubes (N3100T-2.2)



Corporate HQ

4200 Diplomacy Road
Fort Worth, TX 76155 USA
Toll Free: 800.831.8383
Phone: 817.391.0800 Fax: 817.391.0801
Email: info@nccgreen.com

© 2013 Niagara Conservation MSS3100_3104_3205_3210-04



For more information please visit: www.NiagaraConservation.com