



PL30PWB

Modular Small Hand Towel Dispenser

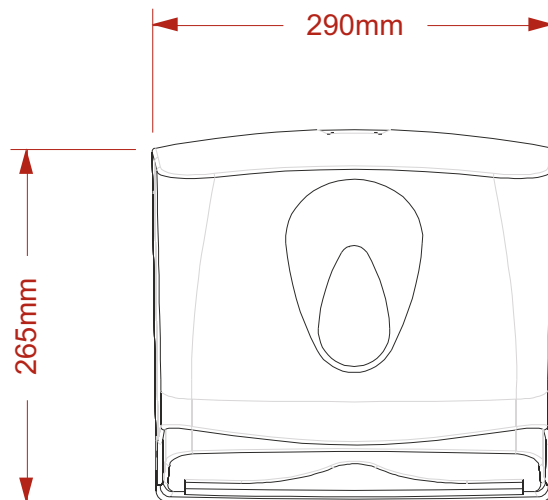
Product Features:

- Versatile design: fits interleaved, C-fold, Z-fold, single towel dispensing minimises waste
- Large front window to check stock levels
- Choice of window colours
- Branding available
- Adaptor plate available
- Cover & Back Plate: Transparent PET & ABS

Manufactured in the UK

The Modular hand towel dispenser is a hard-wearing, versatile system that enables the distribution of interleaved, C-fold, Z-fold and extra-narrow towels.

Product Dimensions:



Height: 256mm

Width: 290mm

Depth: 145mm

Capacity: 200mm Stack