

PL31MWH



White Metal Hand Towel Dispenser

Product Features:

- Dispenses C-Fold and Multifold Hand Towel Paper
- White powder coat epoxy finish
- Key Lockable

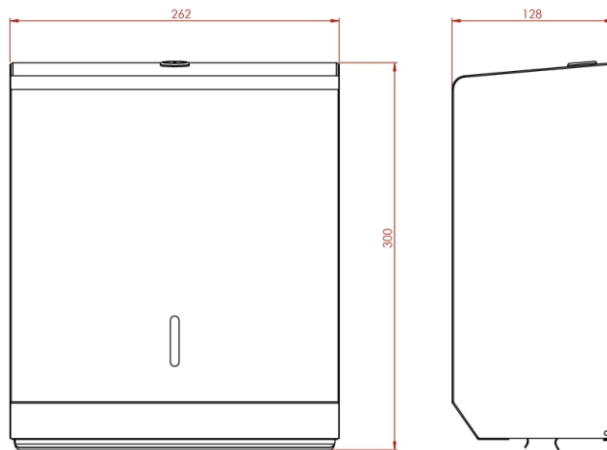
Manufactured in the UK

A modern and stylish hand towel dispenser constructed from mild steel with a white powder coat finish . The key lockable unit is designed to dispense either C/Fold or multifold interleaved paper.

A level indicator is placed at the front to ensure paper is replaced when required. All hand contact areas are protected with a powder coated gloss finish.

Made in a white powder coat epoxy finish.

Product Dimensions:



Height: 300mm Width: 262mm Depth: 128mm Weight: 2.2Kg Capacity: Approx 500 Hand Towels