



## PL42PWB

### Modular Large Jumbo Dispenser

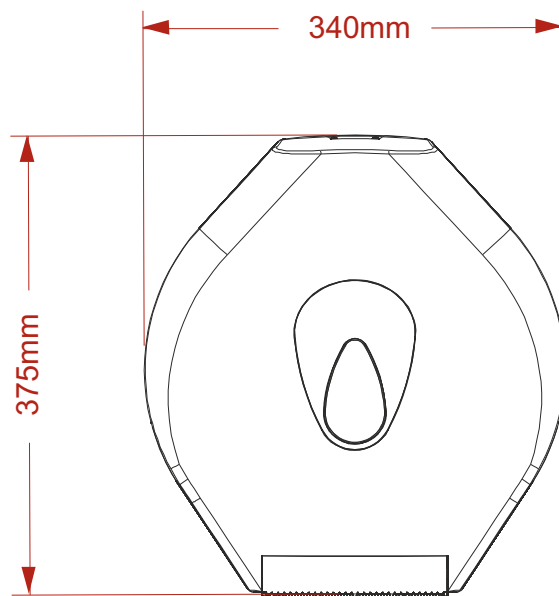
#### Product Features:

- Clever reversible spigot fits different roll-core diameters
- For perforated and non-perforated paper
- Effortless restocking
- Choice of coloured windows
- Branding available
- Cover & Back Plate: Transparent PET & ABS

Manufactured in the UK

This large jumbo dispenser is a strong and compact unit. It is suitable for a wide range of commercial toilet rolls, compatible with both perforated and un-perforated papers and comes with a reversible spigot to accommodate a variety of roll core diameters.

#### Product Dimensions:



Height: 375mm

Width: 340mm

Depth: 145mm

Capacity: 300mm Diameter Roll