



## PL60PWB

### Modular Large Centrefeed Dispenser

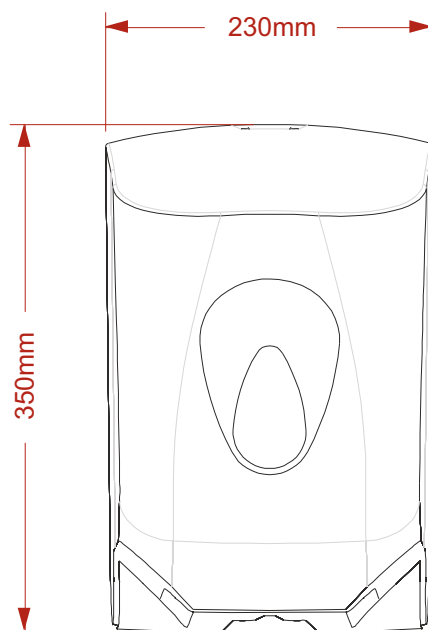
#### Product Features:

- Tear-off aperture minimises paper waste and environmental impact
- Large front window to check stock levels
- Choice of coloured windows
- Branding available
- Cover & Back Plate: Transparent PET & ABS

Manufactured in the UK

This large Modular centrefeed dispenser has been designed for areas that require fast access to paper towels. Space-saving and easy to restock The hard-wearing centrefeed dispenser will stand up to years of constant use in busy environments. centre feed dispenser is made from smooth injection moulded plastic and features a self-locking cover with a universal key supplied.

#### Product Dimensions:



Height: 350mm

Width: 230mm

Depth: 235mm

Capacity: 205mm Diameter Roll