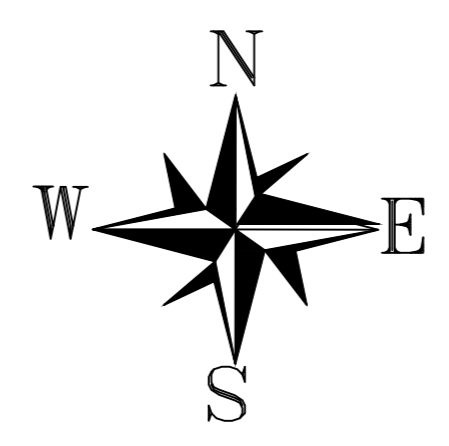
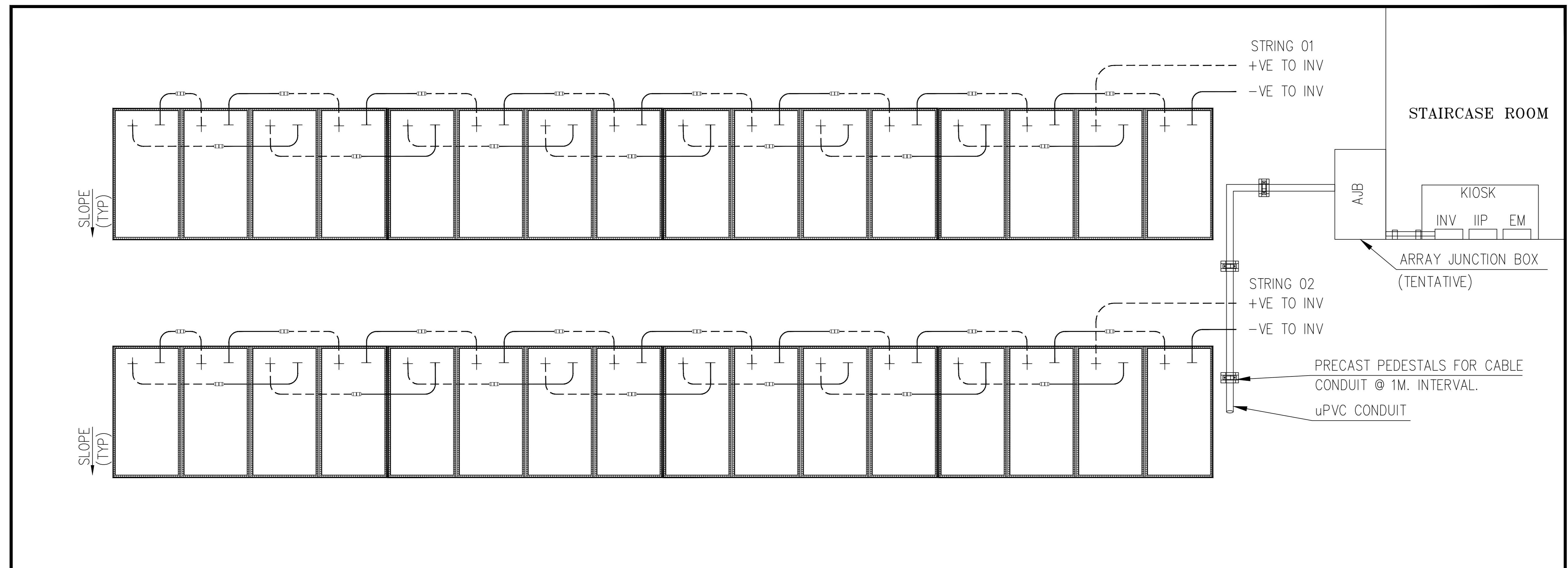


This drawing is the property of L&T Construction, Power Transmission & Distribution and must not be passed on to any person or body not authorised by us to receive it nor be copied or otherwise made use either in full or in part by such person or body without our prior permission in writing.

DC CABLING:-



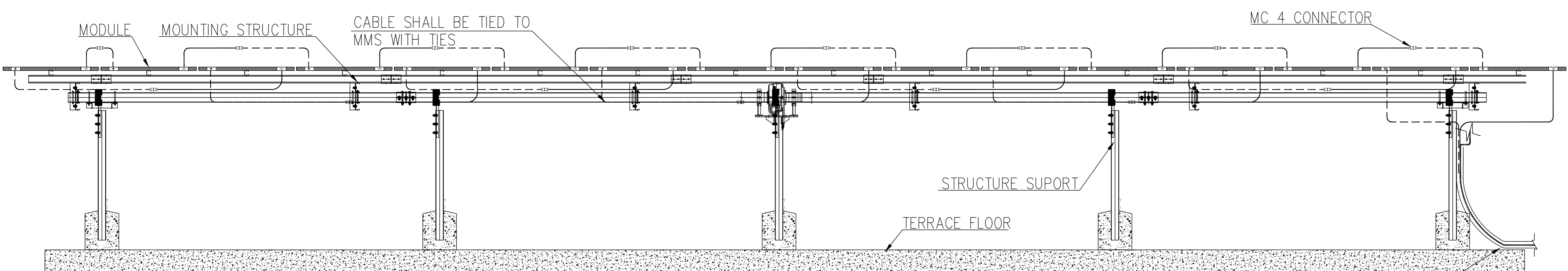
LEGEND & ABBREVIATIONS :

- ROOF BOUNDARY.
- CABLE CONDUIT
- 4Sq.mm CABLE (STRING TO INVERTER) (+VE AND -VE POLARITY)
- MC4 CONNECTOR
- PV MODULE
- AC CABLE
- [AJB] - ARRAY JUNCTION BOX
- RFL - ROOF FLOOR LEVEL
- MMS - MODULE MOUNTING STRUCTURE
- INV - INVERTER
- IIP - INVERTER INTERFACING PANEL
- GIP - GRID INTERFACING PANEL
- EM - ENERGY METER

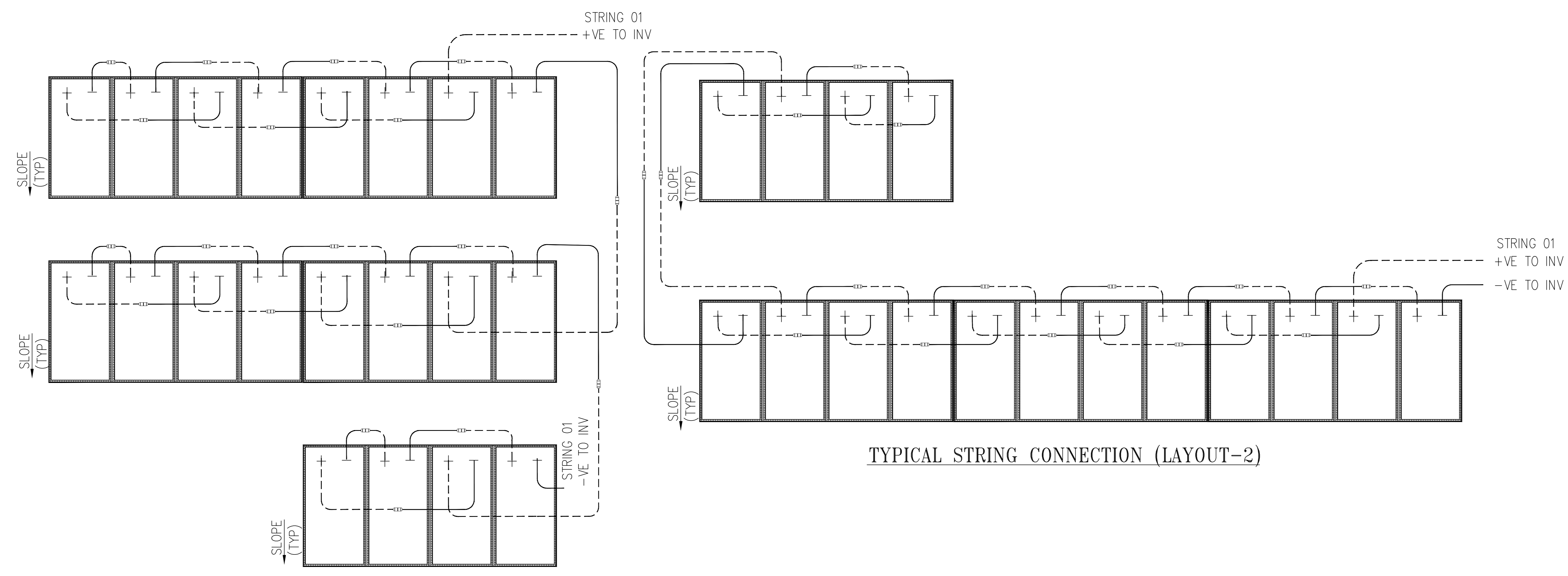
GENERAL NOTES:

1. ALL DIMENSIONS ARE IN MILLIMETERS. UNLESS OTHERWISE SPECIFIED.
2. CABLE CONDUIT MARKED IS INDICATIVE ONLY. SAME SHALL BE CHANGED AS PER SITE CONDITIONS TO SUIT THE REQUIREMENT.
3. CABLE FROM STRUCTURE TO STRING INVERTER SHALL BE LAID BY CABLE CONDUIT HOWEVER THE CABLE FROM STRING START TO CABLE CONDUIT LOCATION SHALL BE IN FLEXIBLE CONDUIT IF REQUIRED.
4. CABLE CONDUIT OPENINGS SHALL BE SEALED PROPERLY WITH EPOXY RESIN/SEALANT.
5. MOUNTING STRUCTURE DRAWING SHOWN TENTATIVE ONLY. FOR DETAILS TYPICAL MODULE MOUNTING STRUCTURE DRAWINGS SHALL BE REFERED .
6. AJB SHALL BE INSTALLED ON PARAPET WALL/STAIRCASE ROOM WALL NEAR TO PV ARRAY.
7. INVERTER, IIP & EM SHALL BE LOCATED INSIDE THE STAIRCASE ROOM. THE LOCATION SHOWN IS INDICATIVE ONLY. SAME SHALL VARY BASED ON SITE CONDITIONS.
8. THE MINIMUM GAP BETWEEN TWO ADJACENT MMS WILL BE 20MM.

TYPICAL PV MODULE LAYOUT FOR SOUTH ORIENTATION



TYPICAL MODULE INTERCONNECTION OF MMS (SCALE: ENLARGED)



TYPICAL STRING CONNECTION (LAYOUT-2)

TYPICAL STRING CONNECTION (LAYOUT-1)

REV. No	DESCRIPTION	DESIGNED	DRAWN	CHECKED	APPROVED
A	FOR APPPROVAL	DSK 05.04.19	TS 05.04.19	RJR 05.04.19	RKJ 05.04.19

REVISIONS

L&T Construction
Power Transmission & Distribution IC
(Solar Projects)

CLIENT : WEST BENGAL RENEWABLE ENERGY DEVELOPMENT AGENCY

CONSULTANT : -

PROJECT : GRID CONNECTED ROOFTOP SOLAR PV POWER PLANTS (10 & 20 KWp) AT VARIOUS LOCATIONS OF WEST BENGAL

SUPPLIER / CONTRACTOR : L&T Construction
Solar Projects

JOB No. : O19100-PTD-S			TITLE :		SCALE 1:88
DSGN	DSK	DSK	05.04.19	TYPICAL CABLING SCHEME	PROJECTION
DRWN	TS	TS	05.04.19		
CHKD	RJR	RJR	05.04.19		
APPD	RKJ	RKJ	05.04.19		

DRG. No. O 1 9 1 0 0 - P T D - S - E L - C R - 0 0 0 3

SHEET 01 OF 02

RELEASED FOR PRELIMINARY TENDER INFORMATION APPROVAL CONSTRUCTION