

This drawing is the property of L&T Construction, Power Transmission & Distribution and must not be passed on to any person or body not authorised by us to receive it nor be copied or otherwise made use either in full or in part by such person or body without our prior permission in writing.

DC EARTHING:-

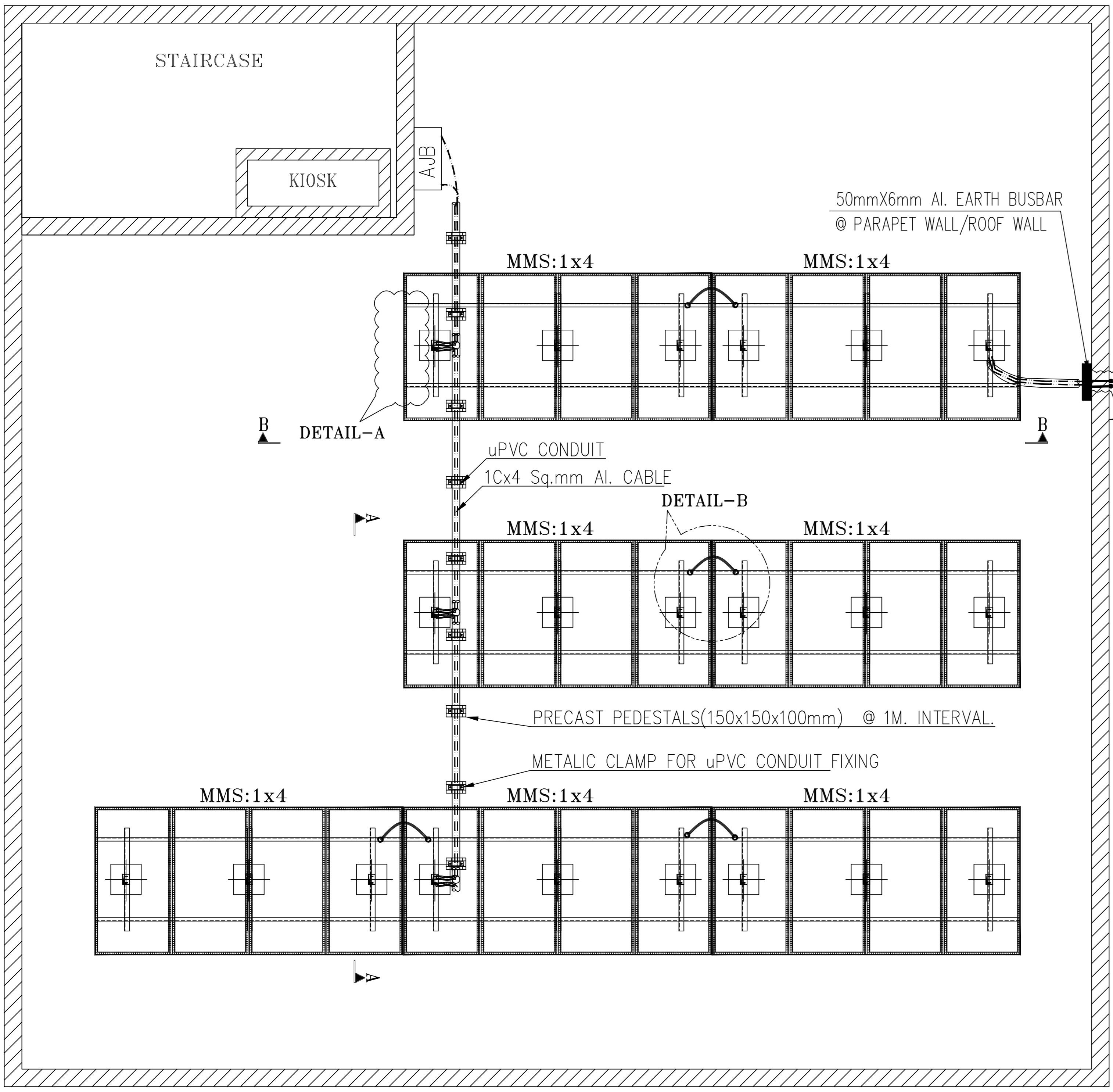
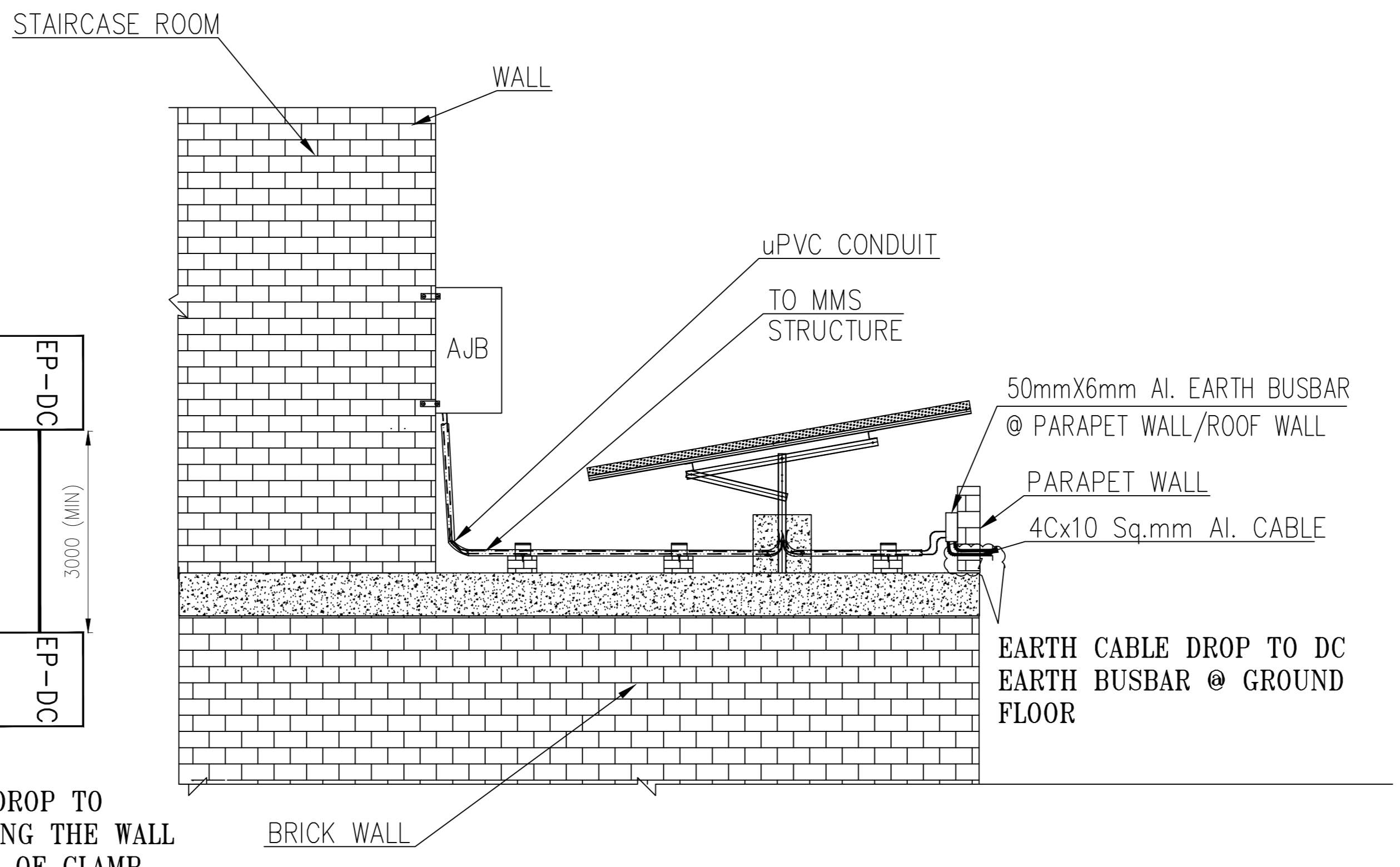


FIG.3 TYPICAL MODULE EARTHING ARRANGEMENT



SECTION B-B: TYPICAL ARRAY JUNCTION BOX EARTHING CONNECTION ON ROOF (WALL MOUNTING)

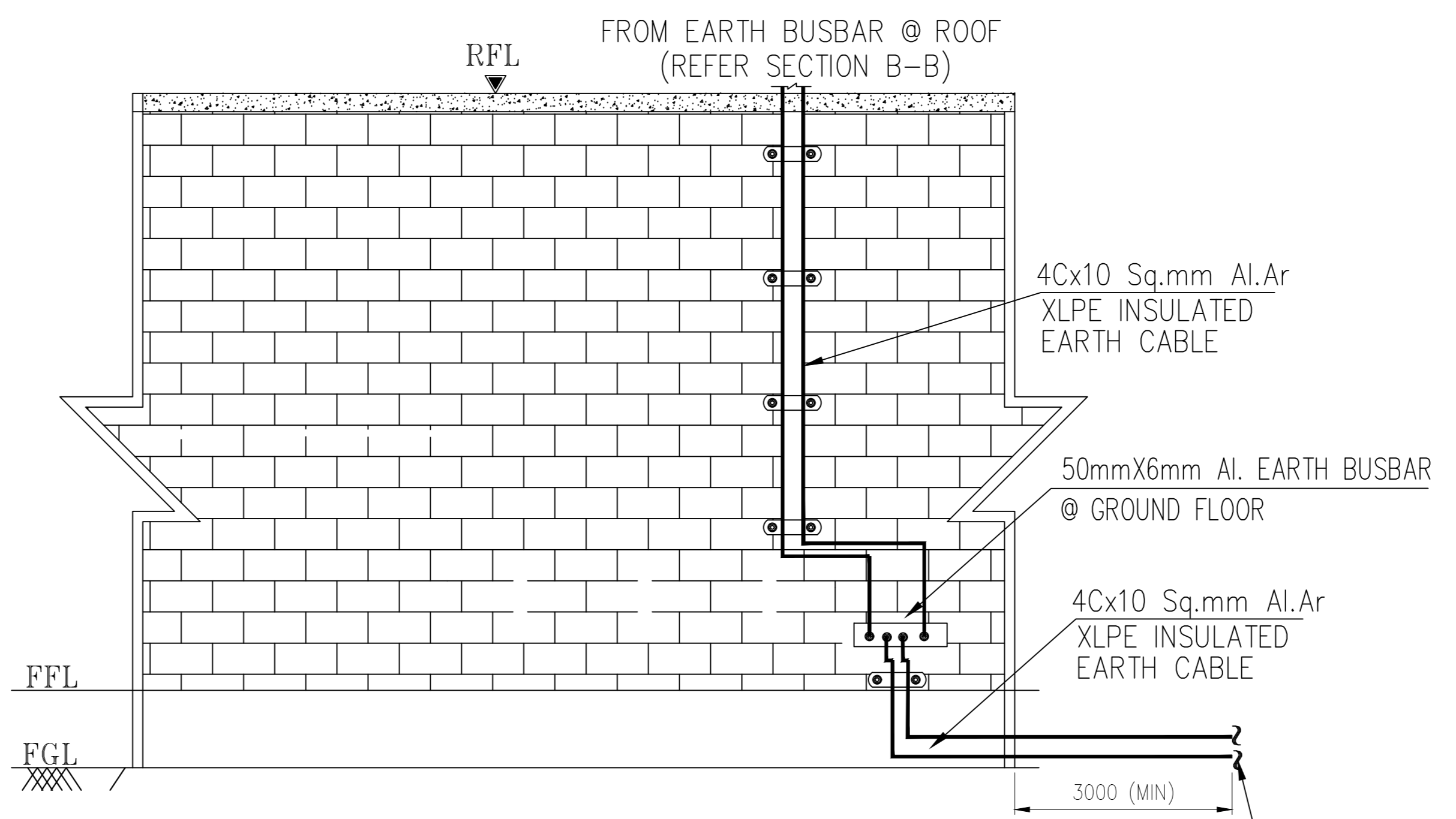
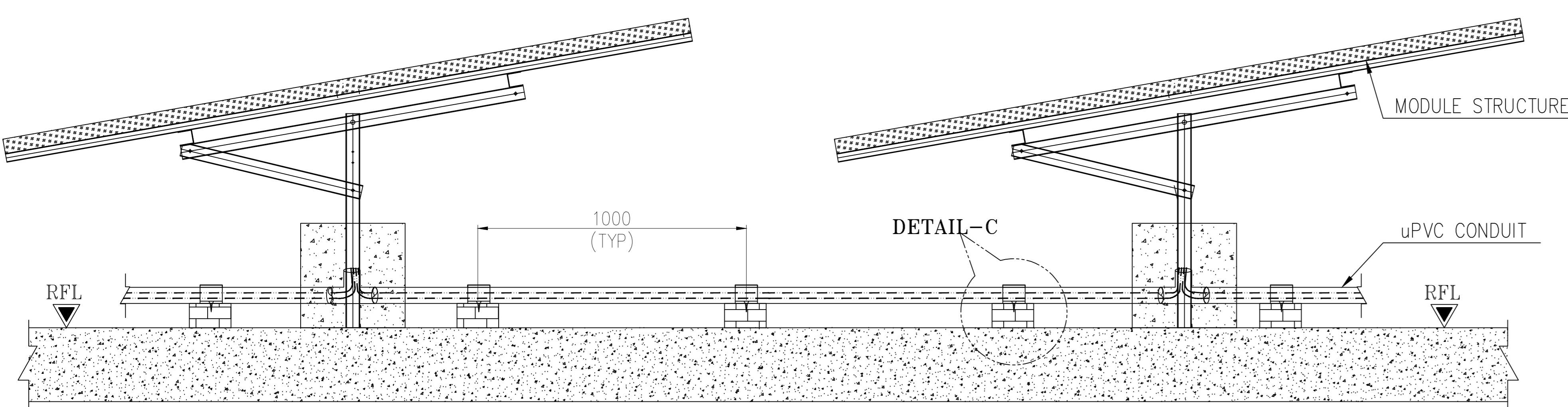
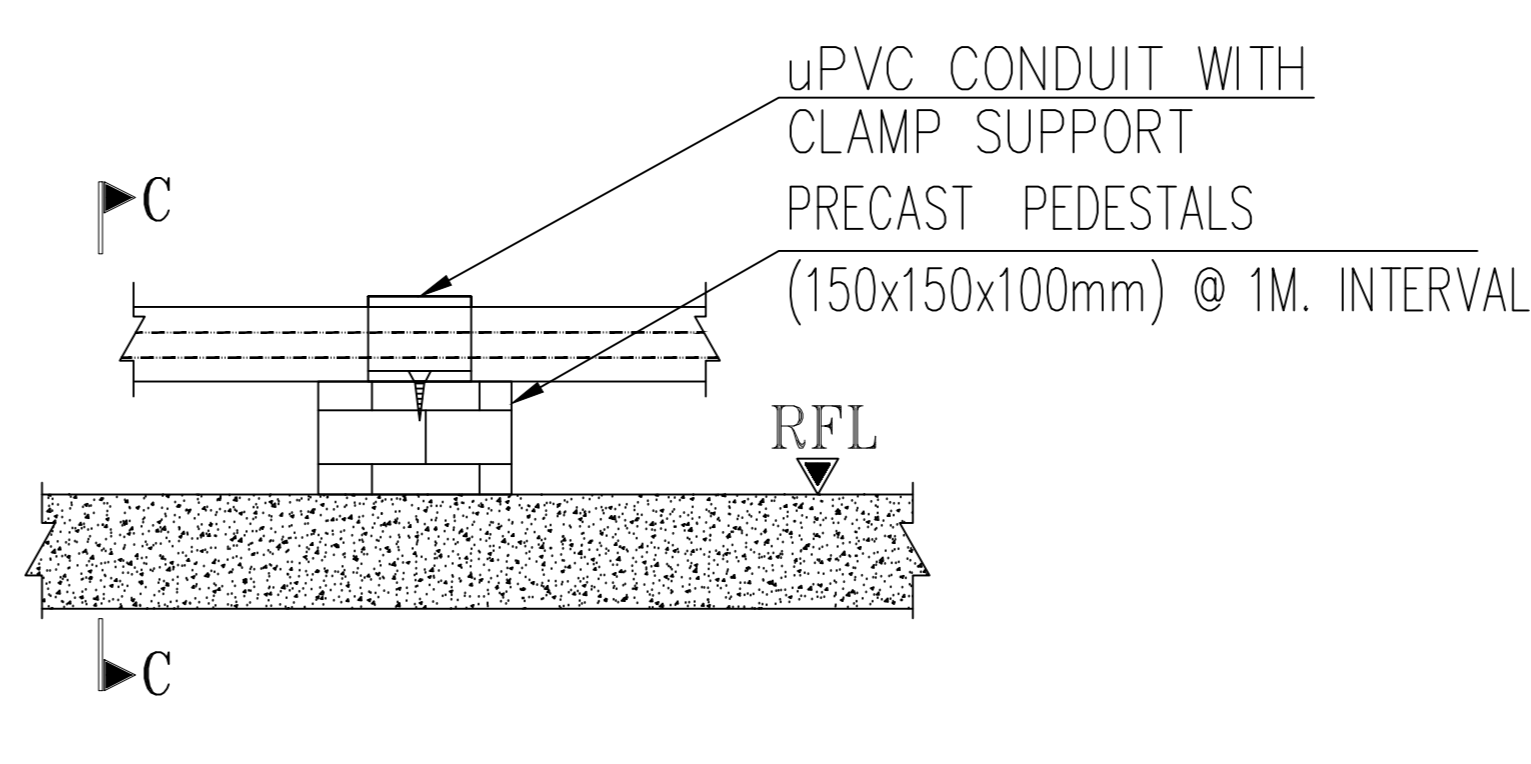


FIG.4: TYPICAL EARTHING ARRANGEMENT (THROUGH WALL)



SECTION A-A
TYPICAL EARTH CABLE ARRANGEMENT (MMS TO MMS)
(SCALE: NTS)



DETAIL-C
TYPICAL EARTHING CABLE IN CONDUIT
INSTALLATION ON ROOF

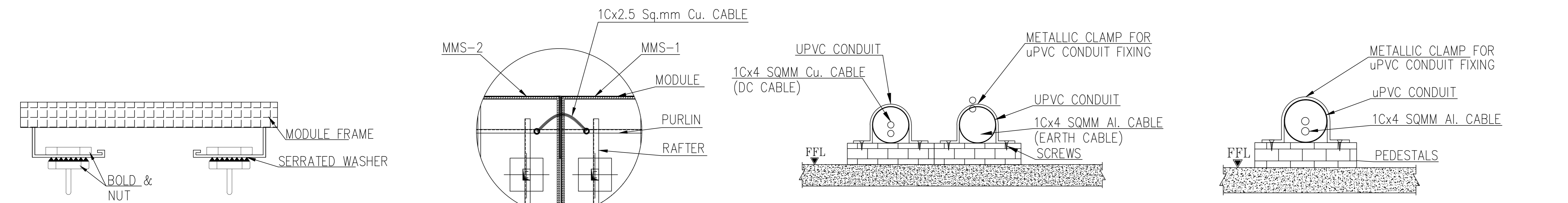


FIG.5 TYPICAL ARRANGEMENT OF DC CABLE & EARTHING CABLE WITH uPVC CONDUIT WITH CLAMP SUPPORT

ABBREVIATIONS/LEGENDS:-

- EP-DC - DC EARTH PIT
- KIOSK - KIOSK
- AJB - ARRAY JUNCTION BOX
- uPVC CONDUIT - uPVC CONDUIT
- RFL - ROOF FLOOR LEVEL
- 1Cx2.5 Sq.mm Cu. CABLE
- 1Cx4 Sq.mm Al. CABLE
- 4Cx10 Sq.mm Ar.Al. CABLE
- MMS - MODULE MOUNTING STRUCTURE.
- ALUMINIUM EARTH BUSBAR

NOTES:-

1. EACH MODULE SHOULD BE CONNECTED WITH SERRATED WASHER(2Nos.) AS SHOWN IN DETAIL-A
2. MODULE, MMS & AJB EARTH PIT SHALL BE PART OF DC EARTH PIT. (2 Nos)
3. PURLIN TO PURLIN TO BE CONNECTED WITH EARTH CABLE IN E-W DIRECTION (MMS) AS SHOWN IN DETAIL 'B'.
4. LEG TO LEG TO BE CONNECTED IN N-S DIRECTION MMS AS SHOWN SECTION A-A.
5. AL. EARTH BUS BAR AND CU EARTH CABLES MUST BE INTERCONNECTED WITH BIMETALIC TERMINALS.
6. EARTH PIT SHALL BE PLACED WITH A MINIMUM DISTANCE OF 3M FROM BUILDING WALL.
7. A MINIMUM DISTANCE OF 3M TO BE MAINTAINED BETWEEN EARTH PITS.
8. DC CABLE CONDUIT & EARTHING CABLE CONDUIT SHALL BE PLACED ON PEDESTALS ADJUST TO EACH OTHER AS PER SITE CONDITION.(REFER FIG:5)
9. AJB SHALL BE INSTALLED ON PARAPET WALL/STAIRCASE ROOM WALL NEAR TO PV ARRAY.
10. EARTH BUSBAR @ ROOF SHALL BE INSTALLED ON STAIRCASE WALL OR PARAPET WALL AS PER SITE CONDITION.
11. AJB EARTHING SHALL BE CONNECTED WITH MMS EARTHING OR BUSBAR AS PER SITE CONDITION.
12. AL. EARTH BUSBAR
1 No. @ ROOF - MODULE, AJB & MMS
1 No. @ GROUND FLOOR - DC EARTH PIT

| | | | | | |
|---------|--------------|----------|-------|---------|----------|
| A | FOR APPROVAL | DSK | FRC | RJR | RKJ |
| REV. No | DESCRIPTION | DESIGNED | DRAWN | CHECKED | APPROVED |

REVISIONS

L&T Construction
Power Transmission & Distribution IC
(Solar Projects)

CLIENT : WEST BENGAL RENEWABLE ENERGY DEVELOPMENT AGENCY CONSULTANT : -

PROJECT : GRID CONNECTED ROOFTOP SOLAR PV POWER PLANTS (10 & 20 KWp)
AT VARIOUS LOCATIONS OF WEST BENGAL

SUPPLIER / CONTRACTOR : **L&T Construction**
Solar Projects

| | | | | | |
|------------------------|------|----------|--------------------------------|--|------------|
| JOB No. : 019100-PTD-S | | | TITLE : | | SCALE |
| NAME | SIGN | DATE | TYPICAL EARTHING SCHEME | | NTS |
| DSGN | DSK | 05.04.19 | | | |
| DRWN | FRC | 05.04.19 | | | |
| CHKD | RJR | 05.04.19 | | | |
| APPD | RKJ | 05.04.19 | | | PROJECTION |

DRG. No. **019100-PTD-S-EL-EA-0002** SIZE **A3** REV. **A**
SHEET 01 OF 02

RELEASED FOR PRELIMINARY TENDER INFORMATION APPROVAL CONSTRUCTION