
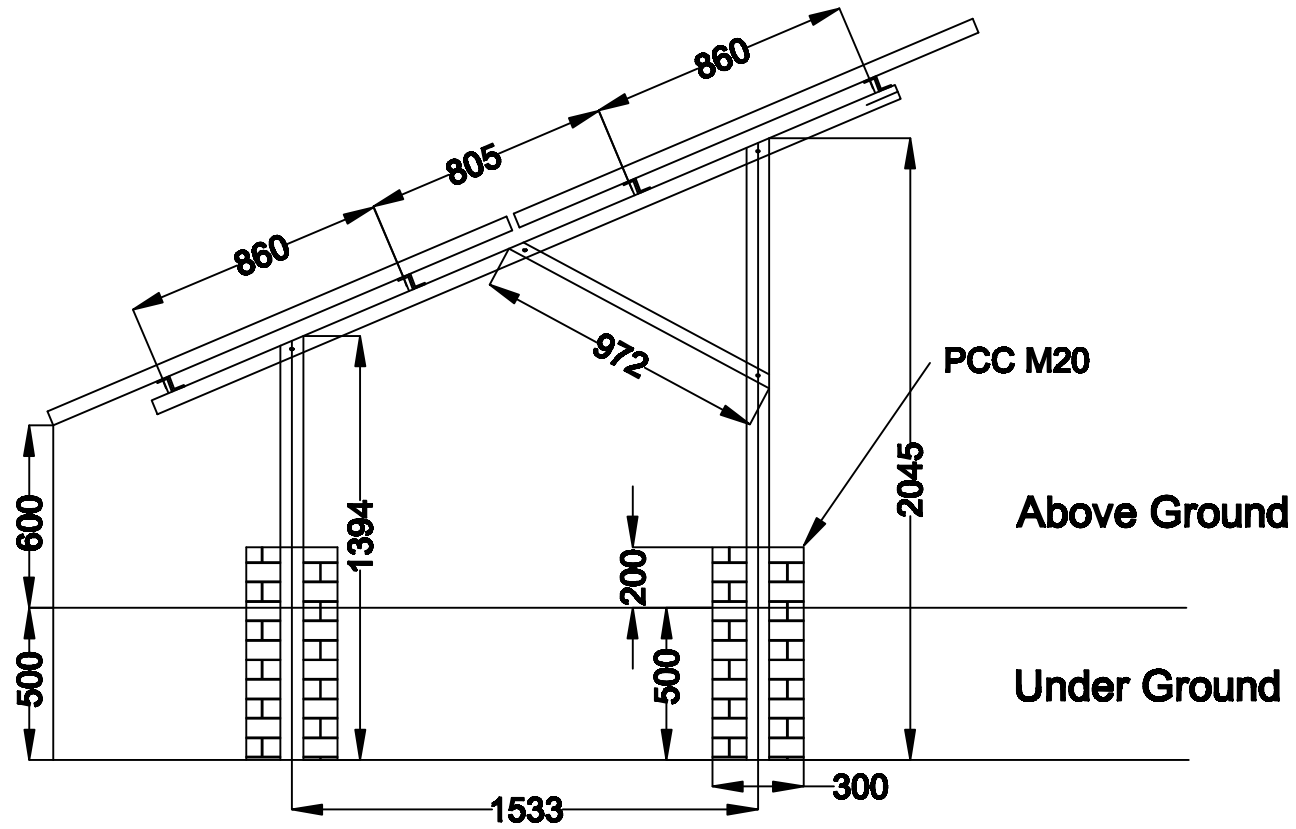


**Top View of 12 Module 6 Leg Structure**


Rev.	Date	Drawing Layout Revision Notes	Revisor	Approval	Scale- Not to Scale	Client-
					All Dimensions are in MM.	Drawn
					Drawing No.	Checked.
					Paper Size-A4	Approved

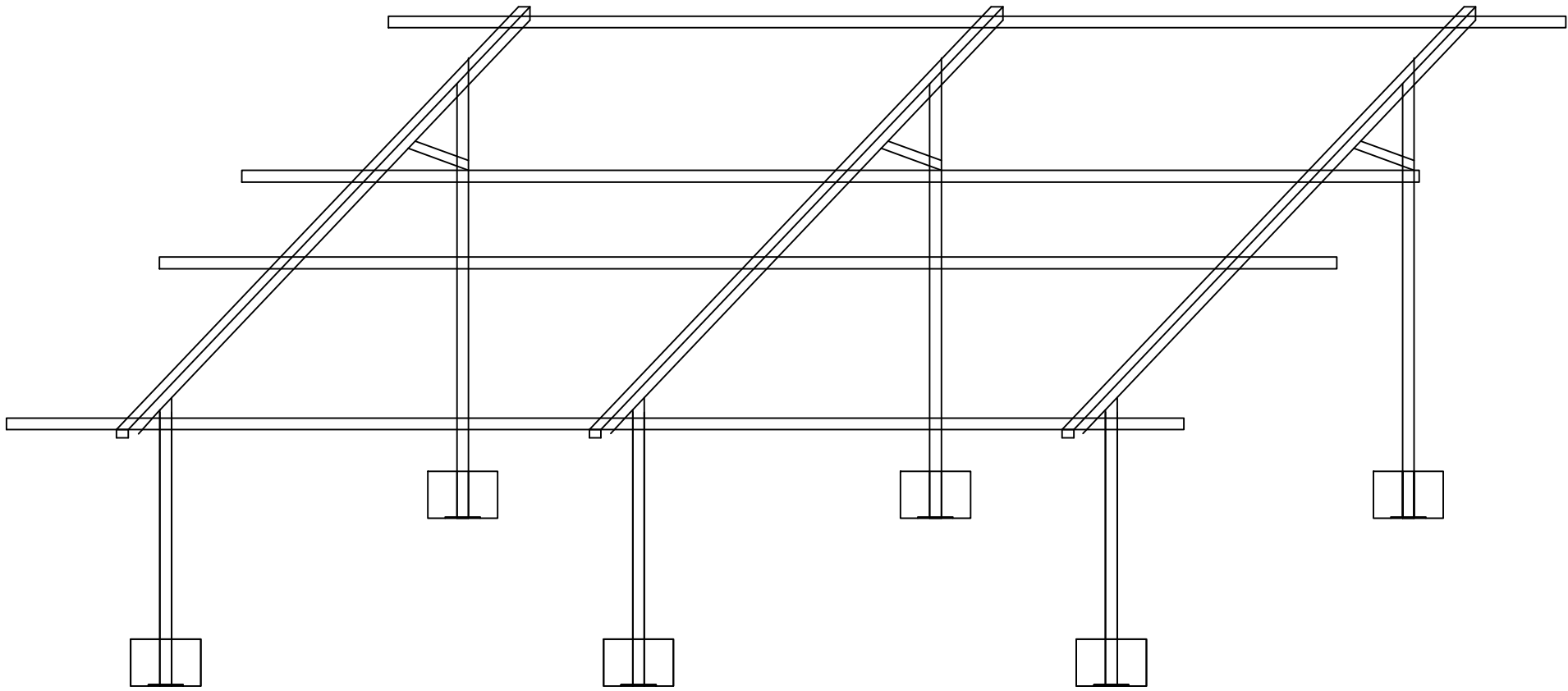


**Punam Energy Pvt Ltd**  
Project-  
Title:-Top View of structure Design




**Side View of Structure**

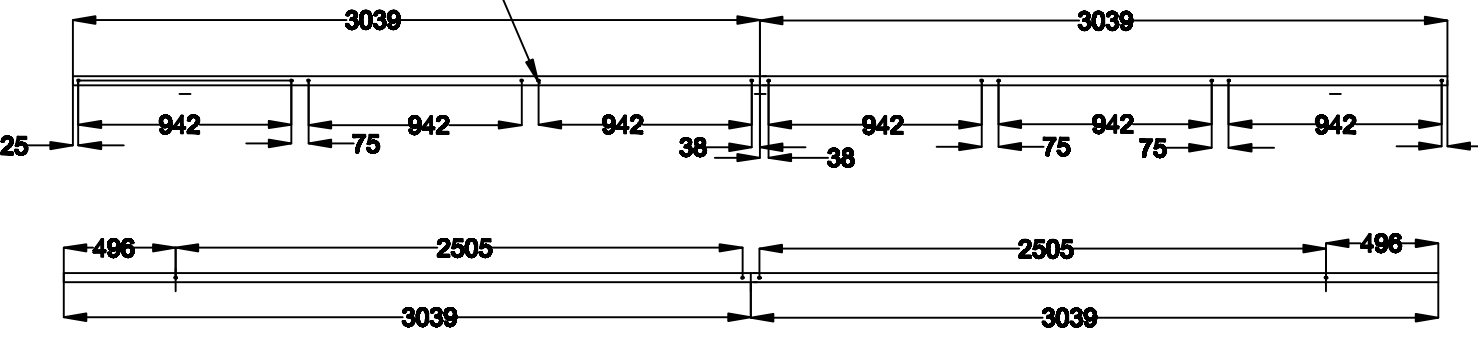
Rev.	Date	Drawing Layout Revision Notes	Revisor	Approval	Scale- Not to Scale	Client-
					All Dimensions are in MM.	Drawn
					Drawing No.	Checked.
					Paper Size-A4	Approved
						 <b>Punam Energy Pvt Ltd</b>
						<b>Title:-Side View of structure Design</b>



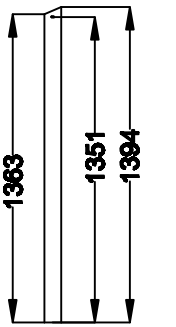
**Isometric View Of 10 Module 6 Leg Structure**

Rev.	Date	Drawing Layout Revision Notes	Revisor	Approval	Scale- Not to Scale	Client-
					All Dimensions are in MM.	Drawn
					Drawing No.	Checked.
					Paper Size-A4	Approved
						 <b>Punam Energy Pvt Ltd</b> <b>Project:-</b> <b>Title:-isometric View of structure Design</b>

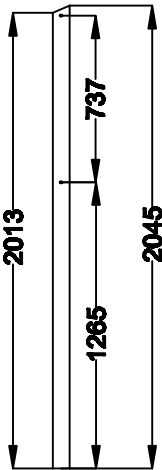
Dia 12mm X 8mm



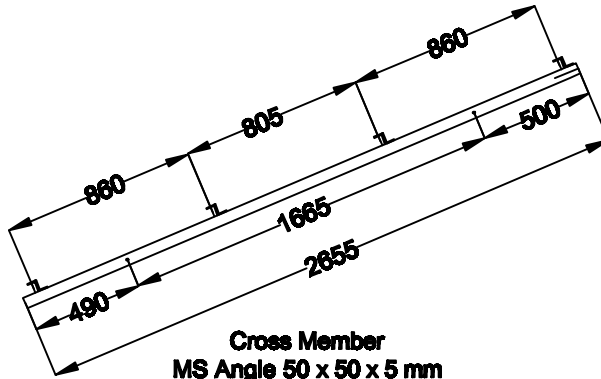
Module Mounting Member MS Angle 40X40X5 4 Nos (3039 MM 8 Nos)



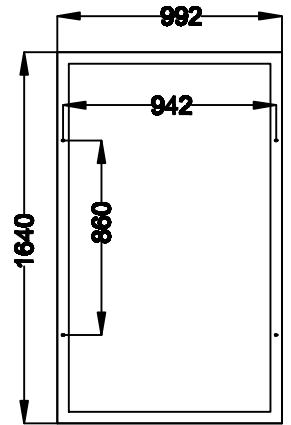
Front Leg MS Channel 75X40X40 x 5 mm 3nos



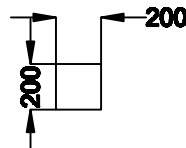
Back Leg MS Channel 75X40X40 x 5 mm 3nos



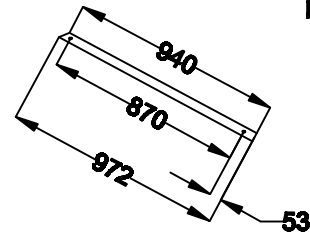
Cross Member MS Angle 50 x 50 x 5 mm 3 Nos



Module



Base Plate 200X200X5 mm 6nos



Tilt Member MS Angle 40X40X5 mm 3nos

Note : All Hole will be 12mm except Module Mounting Member

### Components of 12 Module 6 Leg Structure

Rev.	Date	Drawing Layout Revision Notes	Revisor	Approval	Scale- Not to Scale	Client-
					All Dimensions are in MM.	Drawn
					Drawing No.	Checked
					Paper Size-A4	Approved

**Punam Energy Pvt Ltd**  
Project-  
Title:- Components of Structure Design

**Structure Weight Final One**

<b>Part Name</b>	<b>Specification</b>	<b>Quantity in one set</b>	<b>Length (mm)</b>	<b>Length (meter)</b>	<b>Weight per mtr</b>	<b>Total Weight (KG)</b>
<b>Module Mounting Member (Angle)</b>	40X40X5mm	8	3039	3.039	3.04	73.90848
<b>Cross Member (Angle)</b>	50X50X5mm	3	2655	2.655	3.79	30.18735
<b>Front Leg ( C Channel)</b>	75X40X40X5mm	3	1394	1.394	7.126	29.800932
<b>Back Leg ( C Channel)</b>	75X40X40X5mm	3	2045	2.045	7.126	43.71801
<b>Tilt member</b>	40X40X5mm	3	972	0.972	3.04	8.86464
<b>Clit</b>	40X40X5mm	4	200	0.2	3.004	2.4032
<b>Clit</b>	40X40X5mm	8	100	0.1	4.004	3.2032
<b>Base Plate</b>	200X200X5mm	12		0	39.3	18.864
					Total Weight	210.949812

**KG**