



“ Medicine - Covid-19 ”

"We put at your disposal more than 15 years of experience in the Latin American and international market, in the location and acquisition of new products."

THE POWER OF EXCELLENCE

CONTENT

FACE MASK – 3 PLY

FACE MASK – 3 PLY FOR KIDS

FACE MASK – KN95

FACE MASK – KN95 WITH VALVE

FACE MASK – FFP2

FACE MASK – FACIAL PROTECTORS

GLOVES – NITRILE

GLOVES – VINYL

HAND SANITIZER

THERMOMETER

GOWNS

CONTACT INFORMATION

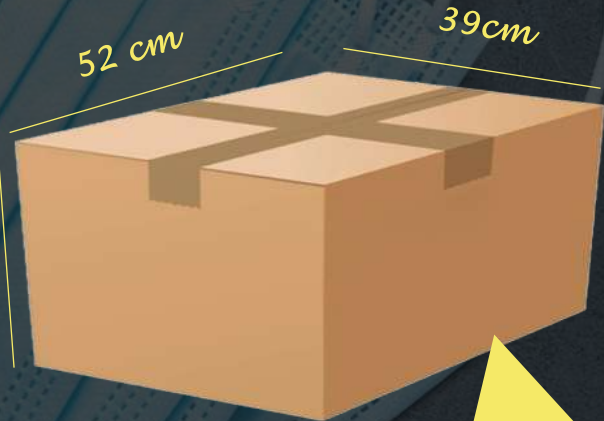




FACE MASK 3 PLY



50 pcs



40 box



LOGISTIC INFORMATION

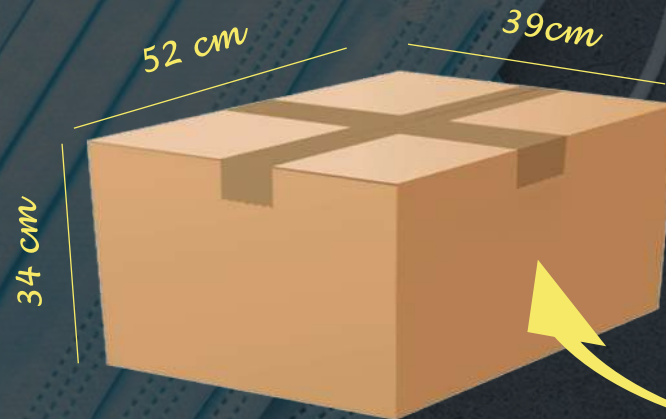
PORT	SHANGHAI
NET WEIGHT	8.0 kg/ctn
GROSS WEIGHT	9.2 kg/ctn
PACKING	$50 \frac{pcs}{box} \rightarrow 40 \frac{box}{ctn} \rightarrow 2000 \frac{pcs}{ctn}$
	$(52 * 39 * 34)cm \rightarrow 0.06895m^3$



FACE MASK 3 PLY FOR KIDS



50 pcs



40 box



LOGISTIC INFORMATION

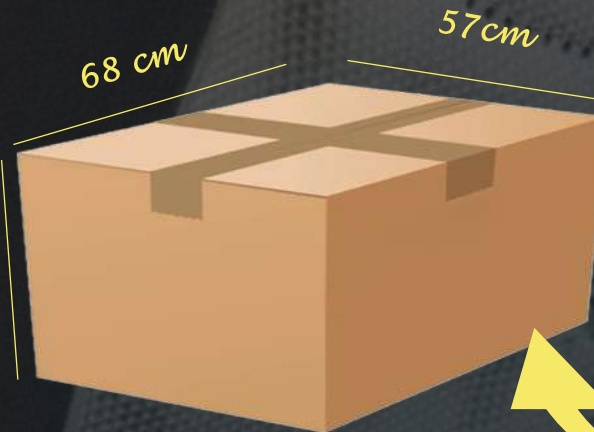
PORT	SHANGHAI
NET WEIGHT	8.0 kg/ctn
GROSS WEIGHT	9.2 kg/ctn
PACKING	$50 \frac{pcs}{box} \rightarrow 40 \frac{box}{ctn} \rightarrow 2000 \frac{pcs}{ctn}$ $(52 * 39 * 34)cm \rightarrow 0.06895m^3$



FACE MASK KN95



10 pcs



200 box



LOGISTIC INFORMATION

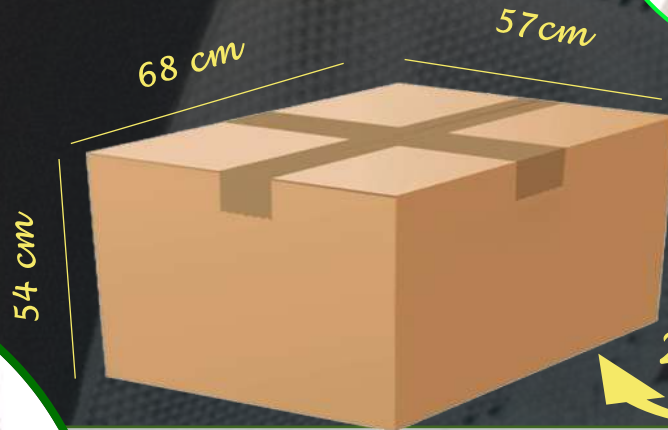
PORT	SHANGHAI
NET WEIGHT	16.0 kg/ctn
GROSS WEIGHT	18.7 kg/ctn
PACKING	$10 \frac{pcs}{box} \rightarrow 200 \frac{box}{ctn} \rightarrow 2000 \frac{pcs}{ctn}$ $(68 * 57 * 54)cm \rightarrow 0.20930m^3$



FACE MASK KN95 WITH VALVE



10 pcs



200 box



LOGISTIC INFORMATION

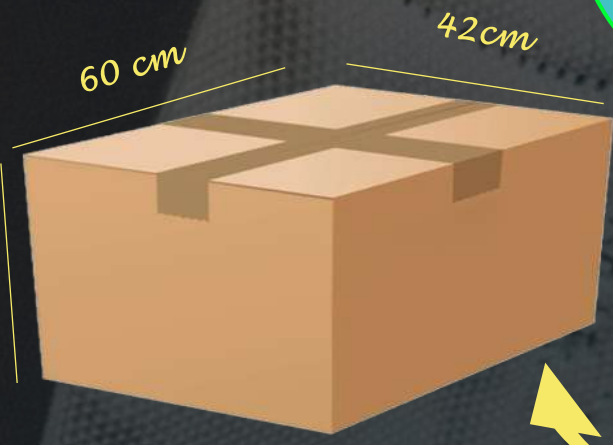
PORT	SHANGHAI
NET WEIGHT	16.0 kg/ctn
GROSS WEIGHT	18.7 kg/ctn
PACKING	$10 \frac{pcs}{box} \rightarrow 200 \frac{box}{ctn} \rightarrow 2000 \frac{pcs}{ctn}$ $(68 * 57 * 54)cm \rightarrow 0.20930m^3$



FACE MASK FFP2



20 pcs



60 box

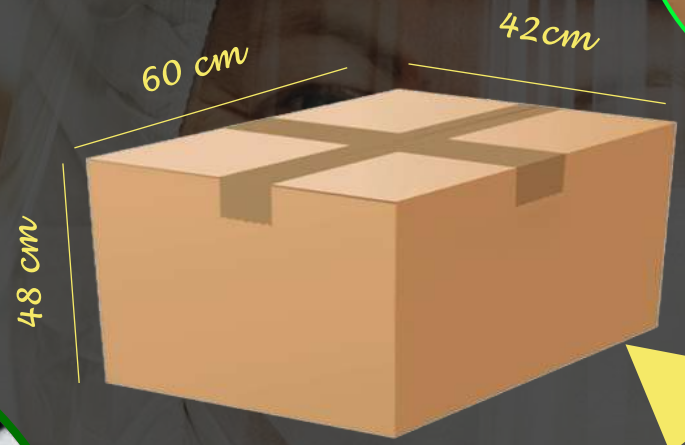


LOGISTIC INFORMATION

PORT	SHANGHAI
NET WEIGHT	-
GROSS WEIGHT	12.0 kg/ctn
PACKING	$20 \frac{pcs}{box} \rightarrow 60 \frac{box}{ctn} \rightarrow 1200 \frac{pcs}{ctn}$
	$(60 * 42 * 48)cm \rightarrow 0.1210m^3$



FACE MASK FACIAL PROTECTOR



30 pcs

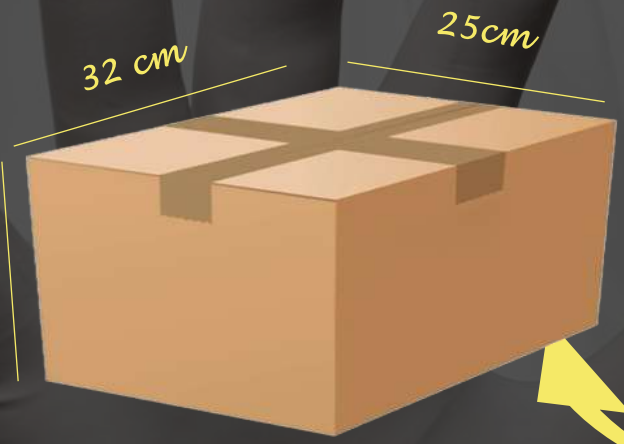


LOGISTIC INFORMATION

PORT	SHANGHAI
NET WEIGHT	-
GROSS WEIGHT	15.0 kg/ctn
PACKING	$1 \frac{pcs}{box} \rightarrow 30 \frac{box}{ctn} \rightarrow 30 \frac{pcs}{ctn}$
	$(60 * 42 * 48)cm \rightarrow 0.1210m^3$



GLOVES-NITRILE



100 pcs

20 box



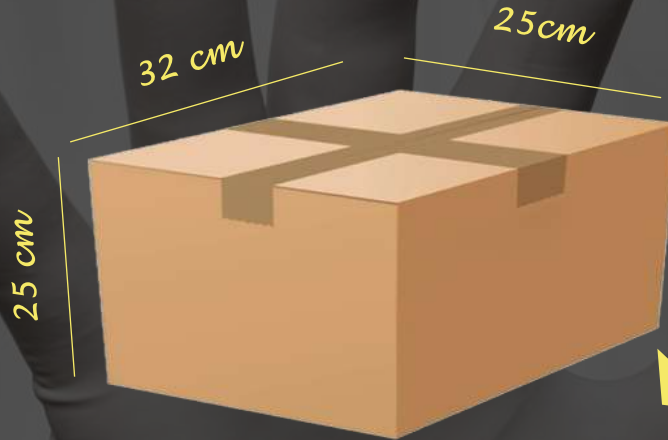
LOGISTIC INFORMATION



	PORT	SHANGHAI
	NET WEIGHT	SIZE M: 4 kg/ctn SIZE L: 4.5 kg/ctn SIZE XL: 5 kg/ctn
	GROSS WEIGHT	SIZE M: 5 kg/ctn SIZE L: 5.5 kg/ctn SIZE XL: 6 kg/ctn
	PACKING	$100 \frac{pcs}{box} \rightarrow 10 \frac{box}{ctn} \rightarrow 1000 \frac{pcs}{ctn}$ $(32 * 25 * 25)cm \rightarrow 0.0200m^3$



GLOVES-VINYL



100 pcs

20 box



LOGISTIC INFORMATION

PORT SHANGHAI

NET WEIGHT

SIZE M: 4 kg/ctn
SIZE L: 4.5 kg/ctn
SIZE XL: 5 kg/ctn

GROSS WEIGHT

SIZE M: 5 kg/ctn
SIZE L: 5.5 kg/ctn
SIZE XL: 6 kg/ctn

PACKING

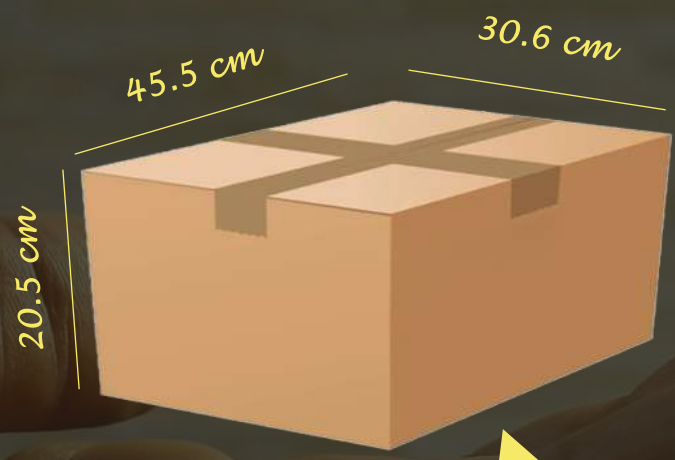
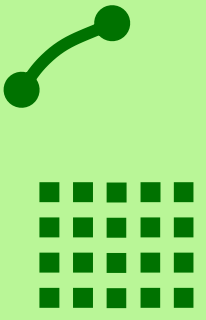
$100 \frac{pcs}{box} \rightarrow 10 \frac{box}{ctn} \rightarrow 1000 \frac{pcs}{ctn}$

$(32 * 25 * 25)cm \rightarrow 0.0200m^3$





HAND SANITIZER

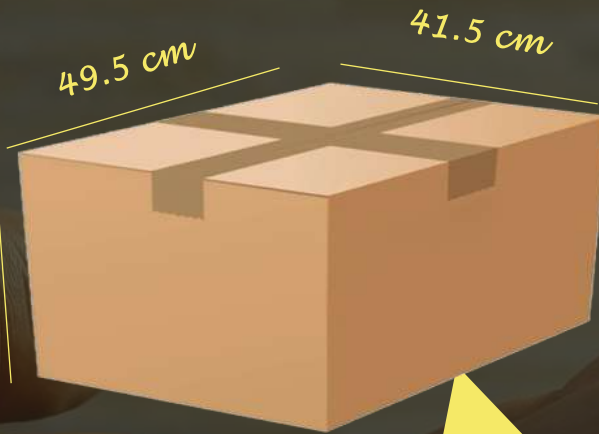


LOGISTIC INFORMATION

PORT	SHANGHAI
NET WEIGHT	12.6 kg/ctn
GROSS WEIGHT	15.5 kg/ctn
PACKING	210 $\frac{pcs}{ctn}$
	$(45.5 * 30.6 * 20.5)cm \rightarrow 0.0285m^3$



HAND SANITIZER



140 pcs

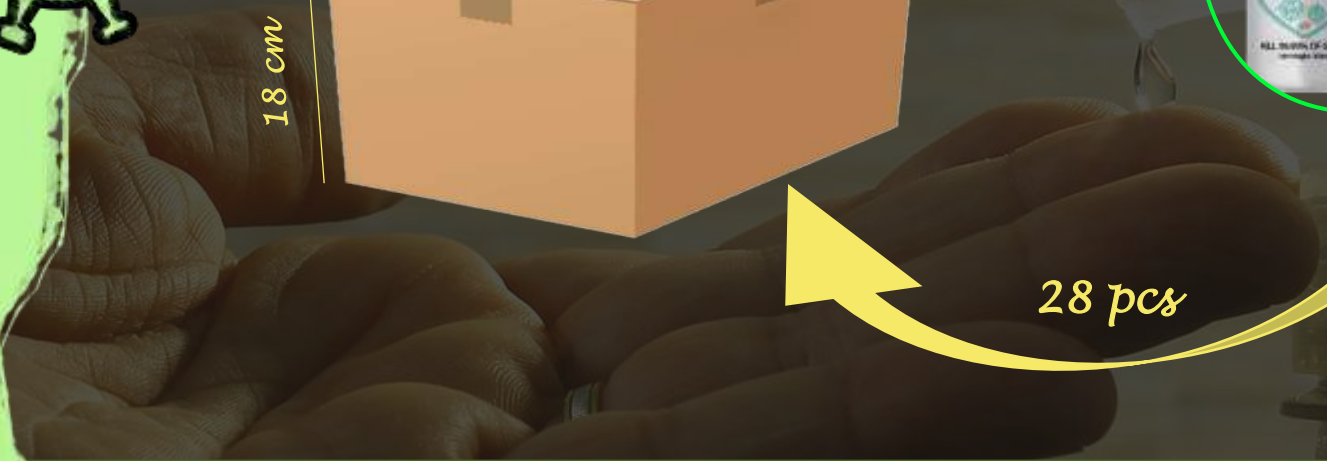
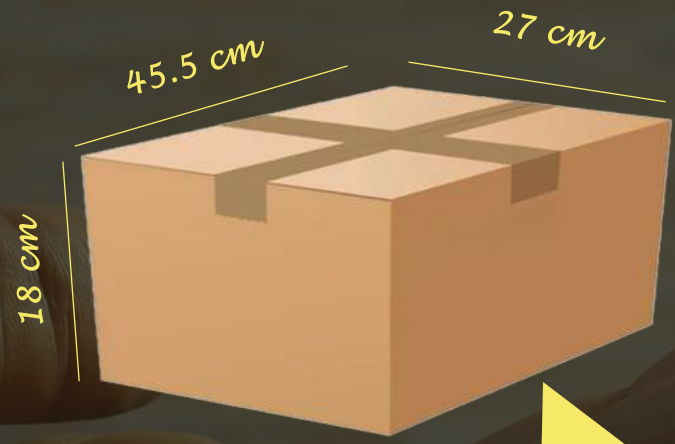


LOGISTIC INFORMATION

PORT	SHANGHAI
NET WEIGHT	14 kg/ctn
GROSS WEIGHT	16.8 kg/ctn
PACKING	140 $\frac{pcs}{ctn}$
	$(49.5 * 41.5 * 13)cm \rightarrow 0.0267m^3$



HAND SANITIZER

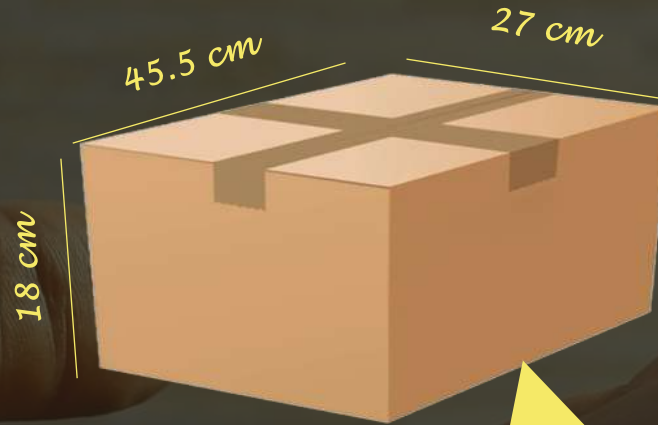


LOGISTIC INFORMATION

PORT	SHANGHAI
NET WEIGHT	8.4 kg/ctn
GROSS WEIGHT	9.32 kg/ctn
PACKING	28 $\frac{pcs}{ctn}$
	(45.5 * 27 * 18)cm → 0.02211m ³



HAND SANITIZER



24 pcs

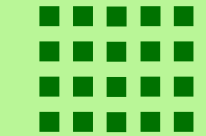


LOGISTIC INFORMATION

PORT	SHANGHAI
NET WEIGHT	12 kg/ctn
GROSS WEIGHT	13.6 kg/ctn
PACKING	24 $\frac{pcs}{ctn}$
	(47 * 31.5 * 19.6)cm \rightarrow 0.0290m ³



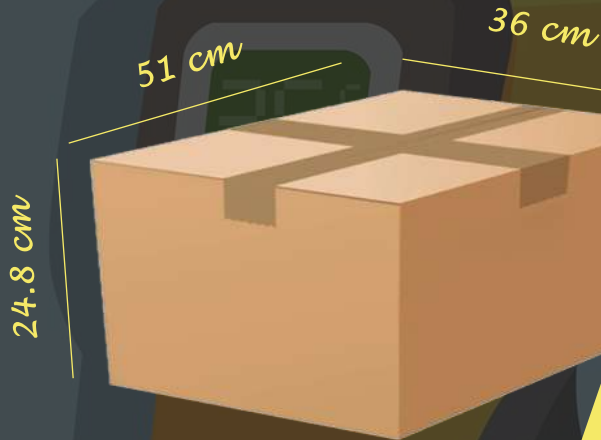
THERMOMETER



**BACKLIGHT DISPLAY
LCD SCREEN**
3 Display colors
indication
Normal/Critical/Fever



FAST READING
Quick & accurate
response
Accurate to
±0.2°C/0.4°F



1 pc



40 pcs

LOGISTIC INFORMATION



**NON CONTACT
THERMOMETER**
3-5cm forehead temp
measurement, Instant
temp reading

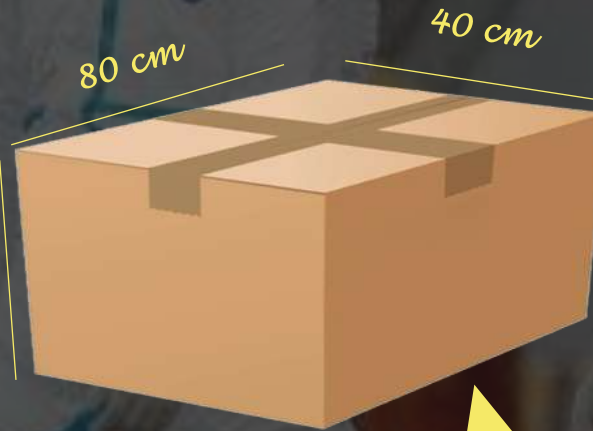
PORT	SHANGHAI
NET WEIGHT	-
GROSS WEIGHT	-
PACKING	1 $\frac{pcs}{box}$ → 40 $\frac{box}{ctn}$ → 40 $\frac{pcs}{ctn}$

(51 * 36 * 24.8)cm → 0.04553m³



GOWNS

Disposable medical isolation gown



10 pcs



10 box



LOGISTIC INFORMATION

PORT SHANGHAI

NET WEIGHT -

GROSS WEIGHT 14.5 kg/ctn

PACKING $10 \frac{pcs}{box} \rightarrow 10 \frac{box}{ctn} \rightarrow 100 \frac{pcs}{ctn}$

$(80 * 40 * 52)cm \rightarrow 0.1664m^3$

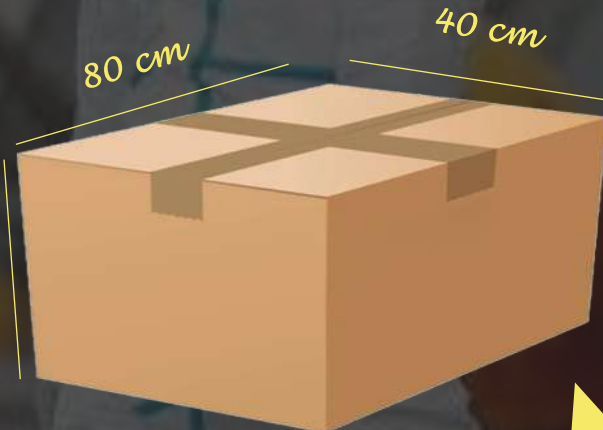


GOWNS

Disposable coverall isolation gown



5 pcs

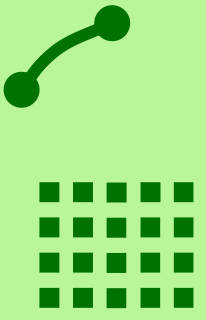


10 box



LOGISTIC INFORMATION

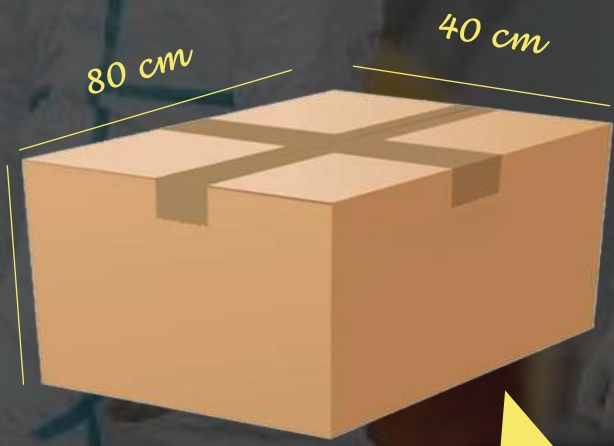
PORT	SHANGHAI
NET WEIGHT	-
GROSS WEIGHT	13.6 kg/ctn
PACKING	$5 \frac{pcs}{box} \rightarrow 10 \frac{box}{ctn} \rightarrow 50 \frac{pcs}{ctn}$
	$(80 * 40 * 52)cm \rightarrow 0.1664m^3$





GOWNS

Sterillie Disposable medical protection closure



5 pcs

10 box



LOGISTIC INFORMATION

PORT	SHANGHAI
NET WEIGHT	-
GROSS WEIGHT	16.5 kg/ctn
PACKING	$5 \frac{pcs}{box} \rightarrow 10 \frac{box}{ctn} \rightarrow 50 \frac{pcs}{ctn}$
	$(80 * 40 * 52)cm \rightarrow 0.1664m^3$

CONTACT INFORMATION

Caribbean-Consultancy and Trade, LLC

ECN324791872233264 EIN81-4254364

1100 Summer St, Apt 12, Palm Springs,
Florida, United States. 33461

Phone Number: +1 561 517 8097

Cellphone: +1 561 692 5622

gerencia@caribbean-ct.com

info@caribbean-ct.com | ventas@caribbean-ct.com

www.caribbean-ct.net

