

Oiler for Elevator Guide Rail
F L A T O I L E R
 Instruction Manual

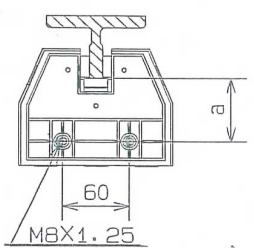
Thank you for purchasing our FLAT OILER. Please follow this instruction manual Correctly to make effective use of its functions and to use it safely.

1. Items to prepared

Prepare the following to install the FLAT OILER.

1) Bracket for installation

The installation dimensions of the FLAT OILER are shown in table 1. Prepare suitable brackets.

Type	Dimensions(a)	
T-8K	66mm	
T-13K	60mm	
T-18-24K	53mm	
T-30K	53mm	

Dimensions of case :: L 138×W114×H60

2) Bolt , plane washer ,spring washer

M8 hex bolt 2 pieces

M8 plane washer 2 pieces

M8 spring washer 2pieces

3) Oil ;ISO VG46~68 300cm³

4) Tools ;Spanner for M8 hex bolt

2. Preparation before installation

1) Cleaning of guide rail

Wipe the guide rail with a rag to remove any stains before installing the FLAT OILER.

2) Filling oil



Open the lid and fill oil evenly from the three oil supply holes.



Prior soaking of oil on the area of contact with the rail can reduce waiying time.