



ECCO[®]



CONSTRUCTION SOLUTIONS

SOLUCIONES PARA LA CONSTRUCCIÓN
SOLUTIONS DE CONSTRUCTION

ECCOESG.COM



STAY ALERT AND ON SCHEDULE

Your crew faces hazardous situations every day as you keep on schedule and meet tight deadlines. Minimize risk and stay of track with ECCO's advanced lighting, warning and safety solutions. Increase visibility on the roadway with lightbars, beacons and directional lighting devices to give drivers advanced warning to slow down and move over. Install back-up alarms and camera systems on fleet vehicles and equipment to protect workers on the job site.

Safety is our top priority, which is why we engineer our products to exceed industry standards. For more than 48 years, construction companies have relied on ECCO to get the job done in rugged, real-world environments. Our safety solutions are designed to mount on virtually any vehicle or application in the fleet, so explore your options and upfit with confidence.

MANTÉNGASE ALERTA Y A TIEMPO

Su equipo enfrenta situaciones peligrosas cada día a medida que se mantiene dentro del programa y cumple con los plazos estrictos. Minimice el riesgo y mantenga el rumbo con las soluciones avanzadas de iluminación, advertencia y seguridad de ECCO. Aumente la visibilidad en la carretera con las barras de luces, las balizas y los dispositivos de iluminación direccionales para brindar a los conductores una advertencia oportuna de reducción de velocidad o avance. Instale alarmas de respaldo y sistemas de cámaras en los vehículos y equipos de la flota para proteger a los trabajadores en el sitio de trabajo.

La seguridad es nuestra máxima prioridad, es por esto que diseñamos nuestros productos para superar los estándares de la industria. Durante más de 48 años, las empresas constructoras han confiado en ECCO para realizar el trabajo en entornos difíciles del mundo real. Nuestras soluciones de seguridad están diseñadas para montarse prácticamente en cualquier vehículo o aplicación de la flota, por lo que puede analizar sus opciones y modernizarse con confianza.

RESTEZ VIGILANT ET DANS LES DÉLAIS

Chaque jour, votre équipe est confrontée à des situations dangereuses tout en respectant des délais serrés. Minimisez les risques et gardez le cap grâce aux solutions d'éclairage, d'avertissement et de sécurité avancées d'ECCO. Augmentez la visibilité sur la chaussée grâce aux barres lumineuses, aux gyrophares et aux dispositifs d'éclairage directionnel, afin d'avertir les autres conducteurs en cas de ralentissement ou de déplacement. Installez des alarmes de secours et des systèmes de caméras sur les véhicules et l'équipement du parc afin de protéger les travailleurs sur le chantier.

La sécurité est notre priorité : c'est pourquoi nous concevons nos produits pour qu'ils dépassent les normes de l'industrie. Les entreprises de construction font confiance à ECCO depuis plus de 48 ans pour accomplir leur travail dans des conditions difficiles et réelles. Nos solutions de sécurité sont conçues pour être montées sur pratiquement tous les véhicules ou toutes les applications du parc. Explorez vos options et améliorez votre équipement en toute confiance.

CONSTRUCTION SOLUTIONS

EXCAVATOR EXCAVADORA EXCAVATRICE	06
GRADER MOTONIVELADORA NIVELEUSE	08
BACKHOE RETROEXCAVADORA RÉTROCAVEUSE	10
FRONT LOADER CARGADOR FRONTAL CHARGEUSE FRONTALE	12
BULLDOZER TOPADORA BOUTEUR	14
CRANE GRÚA GRUE	16
DUMP TRUCK CAMIÓN DE VOLTEO CAMION À BENNE	18
ROAD ROLLER COMPACTADOR ROULEAU COMPRESSEUR	20
CONCRETE TRUCK CAMIÓN HORMIGONERO CAMION MALAXEUR	22
SERVICE BODY PICKUP CAMIONETA CON CARROCERÍA SERVICE-BODY CAMIONNETTE À CARROSSERIE-ATELIER	24
HIGHWAY PAVER PAVIMENTADORA DE CARRETERAS FINISSEUSE POUR VOIE RAPIDE	26
SKID STEER MINICARGADORA CHARGEUSE À DIRECTION À GLISSEMENT	28
PRODUCT APPLICATION WORKSHEETS FICHAS DE SOLICITUD DE PRODUCTOS FEUILLES DE TRAVAIL D'APPLICATION DE PRODUITS	30

STAY ALERT AND ON SCHEDULE



NO-HASSLE WARRANTY

We stand behind our products. Our no-hassle warranty is the best in the business. We are ready to address any of your concerns even after a warranty has expired. Allow our comprehensive policy and expert customer service inspire trust and confidence for your next build.

GARANTÍA SIN COMPLICACIONES

Respaldamos nuestros productos. Nuestra garantía sin complicaciones es la mejor del mercado. Estamos listos para abordar cualquier inquietud, incluso después de que la garantía haya expirado. Permita que nuestra política integral y nuestro servicio experto de atención al cliente inspiren confianza y seguridad para su próxima construcción.

GARANTIE SANS TRACAS

Nous soutenons nos produits. Notre garantie sans tracas est la meilleure sur le marché. Nous sommes prêts à répondre à toutes vos préoccupations, même après l'expiration d'une garantie. Laissez notre politique complète et notre service à la clientèle expert inspirer confiance pour votre prochain projet de construction.

EXCAVATOR SOLUTIONS

SOLUCIONES DE EXCAVADORAS | SOLUTIONS POUR EXCAVATRICES



FEATURED PRODUCT EB7260 SERIES

MINI POLE MOUNT

ECCO's EB7260 Series LED Beacon produces a warning signal that is ideal for a variety of applications. The long, maintenance-free service life of LED technology, backed by a five-year warranty, makes this a perfect replacement solution for existing strobe beacons. This cost-effective, SAE Class I or II light features 12-24V operating range that effectively accommodates electrically powered vehicles and equipment.

La baliza LED de la serie EB7260 de ECCO produce una señal de advertencia que es ideal para una variedad de aplicaciones. La larga vida útil de la tecnología LED libre de mantenimiento, respaldada por una garantía de cinco años, la convierte en una solución perfecta para reemplazar las balizas estroboscópicas actuales. Esta rentable luz SAE de Clase I o II ofrece un alcance de operación de 12 V a 24 V, que se ajusta de manera efectiva a vehículos y equipos eléctricos.

Le gyrophare à DEL de la série EB7260 d'ECCO produit un signal d'avertissement idéal pour une multitude d'applications. La longue durée de vie sans entretien de la technologie à DEL, soutenue par une garantie de cinq ans, en fait une solution de remplacement idéale pour les gyrophares stroboscopiques existants. Cet éclairage économique de classe SAE I ou II est doté d'une plage de fonctionnement de 12 à 24 V qui répond efficacement aux besoins de l'équipement et des véhicules électriques.

A



EB7260 SERIES
MINI POLE MOUNT
SAE CLASS I OR II
5-YEAR WARRANTY



EB7800 SERIES
SINGLE-COLOR LED ROTATOR
SAE CLASS I
5-YEAR WARRANTY



7160 SERIES REFLEX®
SINGLE-COLOR LED BEACON
SAE CLASS I
5-YEAR WARRANTY



7965 SERIES
SINGLE-COLOR LED BEACON
SAE CLASS I
5-YEAR WARRANTY

B



EW2510 SERIES
NINE 10-WATT LEDS
SEVERE DUTY SPOT OR FLOOD
5-YEAR WARRANTY



EW2110 SERIES
SEVEN 1-WATT LEDS
OPTIONAL DEUTSCH CONNECTOR
5-YEAR WARRANTY



EW2605
NINE 7-WATT LEDS
DEUTSCH CONNECTOR
5-YEAR WARRANTY



EW2530
SIX 10-WATT LEDS
120° FLOOD WORKLIGHT
5-YEAR WARRANTY

VEHICLE MOUNTING

7160 SERIES
BRANCH GUARD - #A6050BG
7965 SERIES
BRANCH GUARD - #A6050BG

C



ED3701/3702 SERIES
SINGLE-, SPLIT-, DUAL- OR TRI-COLOR
LOW PROFILE, SURFACE MOUNT
SAE CLASS I
5-YEAR WARRANTY



ED3777 SERIES
SINGLE- OR DUAL-COLOR
180° MULTI-MOUNT
SAE CLASS I
5-YEAR WARRANTY



ED3700 SERIES
SINGLE-, SPLIT- OR DUAL-COLOR
SURFACE MOUNT
SAE CLASS I
5-YEAR WARRANTY



3811/3861 SERIES
SINGLE- OR DUAL-COLOR
SURFACE OR GROMMET MOUNT
SAE CLASS I
5-YEAR WARRANTY

D



EW0360 / EW0370
LED INTERIOR LIGHTING
SURFACE MOUNT
5-YEAR WARRANTY



EW0800 SERIES
LED INTERIOR LIGHTING
90° CORNER MOUNT
5-YEAR WARRANTY



EW0202/203 SERIES
LED INTERIOR LIGHTING
HIGH-BOND TAPE / SCREW MOUNT
5-YEAR WARRANTY



EW0100 SERIES
LED STRIP LIGHTING
HIGH-BOND TAPE / SCREW MOUNT
5-YEAR WARRANTY

E



EW4020
THIRTY-SIX 1.2-WATT LEDS
DEUTSCH CONNECTOR, HEATED LENS
5-YEAR WARRANTY



EW2110 SERIES
SEVEN 1-WATT LEDS
OPTIONAL DEUTSCH CONNECTOR
5-YEAR WARRANTY



EW2601 SERIES
TWENTY-SEVEN 1-WATT LEDS
40° DOWN ANGLE
5-YEAR WARRANTY



EW2101
SIX 3-WATT LEDS
FLOOD WORKLIGHT
5-YEAR WARRANTY

F



EW3208
8" DOUBLE ROW
FLOOD / SPOT COMBO
5-YEAR WARRANTY



EA9724
MULTI-FREQUENCY™ SMART ALARM™
12-24V, 77-97dB
ECCOLIFE™ WARRANTY



SA951
SMART ALARM™
12-48V, 77-97dB
2-YEAR WARRANTY



EC7008-WK
7" QUAD VIEW LCD
COLOR WIRELESS SYSTEM
FOUR CAMERA EXPANDABLE

VEHICLE MOUNTING

ED3701/02 BRACKET
90° L BRACKET - #EZ3704LBKT
GRILLE BRACKET - #EZ3704GBKT
ED3700 SERIES BRACKET
90° L BRACKET - #EZ3703LBKT / #EZ3704LBKT / #EZ3705LBKT
GRILLE BRACKET - #EZ3703GBKT / #EZ3704GBKT / #EZ3705GBKT
LICENSE PLATE BRACKET - #EZ3706LPBKTH



ADDITIONAL ACCESSORIES, MODELS, AND YEARS AVAILABLE AT WWW.ECCOESG.COM
Otros accesorios, modelos y años disponibles en www.ecco.esg.com | Accessoires, modèles et années supplémentaires offerts à l'adresse www.ecco.esg.com

GRADER SOLUTIONS

SOLUCIONES DE MOTONIVELADORAS | SOLUTIONS POUR NIVELEUSES



FEATURED PRODUCT EW4009

THREE 47-WATT LEDS

Replace headlights while melting the snow and ice away with EW4009's heated lenses. These LEDs are weather-resistant and deliver 80,000+ hours of maintenance-free operation with surprisingly low amp draw. The high intensity light output and CE rating make the EW4009 a perfect fit for a variety of DOT applications.

Reemplace los faros y derrita la nieve y el hielo con los lentes calefaccionados EW4009. Estos LED son resistentes al clima y ofrecen más de 80 000 horas de funcionamiento sin mantenimiento con un consumo de amperios sorprendentemente bajo. La salida de luz de alta intensidad y el marcado CE hacen del modelo EW4009 un ajuste perfecto para una variedad de aplicaciones DOT.

Remplacez les phares et faites fondre la neige et la glace avec les lentilles chauffantes du modèle EW4009. Ces LED sont résistantes aux intempéries et offrent plus de 80 000 heures de fonctionnement sans entretien avec une consommation en ampères étonnamment faible. Le flux lumineux à haute intensité et le marquage CE font du modèle EW4009 une solution idéale pour une grande variété d'applications DOT.

 A 7970 SERIES SINGLE-COLOR LED BEACON SAE CLASS I 5-YEAR WARRANTY	 EB7185 SERIES DUAL-COLOR LED BEACON SAE CLASS I 5-YEAR WARRANTY	 7660 SERIES ROTOLED™ LED HYBRID BEACON SAE CLASS I 5-YEAR WARRANTY	 5590 SERIES REFLEX® SINGLE- OR SPLIT-COLOR SAE CLASS I, 15" 5-YEAR WARRANTY
 B EW4009 THREE 47-WATT LEDS DOT CERTIFIED SNOW-MELT & ANTI-ICING SYSTEM 5-YEAR WARRANTY	 EW4010 FOUR 12-WATT LEDS DOT CERTIFIED DOT CERTIFIED WITH SNOW-MELT 5-YEAR WARRANTY	 EW4008 FOUR 12-WATT LEDS DOT CERTIFIED HIGH/LOW BEAM, INDICATOR/MARKER 5-YEAR WARRANTY	 EW2603 FIFTEEN 1.5 WATT LEDS 110° LIGHT OUTPUT FLOOD/SPOT COMBO 5-YEAR WARRANTY

VEHICLE MOUNTING

7970 SERIES
BRANCH GUARD - #A6070BG

 C 7160 SERIES REFLEX® SINGLE-COLOR LED BEACON SAE CLASS I 5-YEAR WARRANTY	 7660 SERIES ROTOLED™ LED HYBRID BEACON SAE CLASS I 5-YEAR WARRANTY	 7965 SERIES SINGLE-COLOR LED BEACON SAE CLASS I 5-YEAR WARRANTY	 7950 SERIES SINGLE-COLOR LED BEACON SAE CLASS II 5-YEAR WARRANTY
 D EW0360 / EW0370 LED INTERIOR LIGHTING SURFACE MOUNT 5-YEAR WARRANTY	 EW0800 SERIES LED INTERIOR LIGHTING 90° CORNER MOUNT 5-YEAR WARRANTY	 EW0202/203 SERIES LED INTERIOR LIGHTING HIGH-BOND TAPE / SCREW MOUNT 5-YEAR WARRANTY	 EW0100 SERIES LED STRIP LIGHTING HIGH-BOND TAPE / SCREW MOUNT 5-YEAR WARRANTY
 E FOCUS360™ SERIES TEN 5-WATT LEDS 360° CONTINUOUS ROTATION 5-YEAR WARRANTY	 EW2110 SERIES SEVEN 1-WATT LEDS OPTIONAL DEUTSCH CONNECTOR 5-YEAR WARRANTY	 EW2601 SERIES LED INTERIOR LIGHTING 40° DOWN ANGLE 5-YEAR WARRANTY	 EW4030 FIFTY-SIX 1.5-WATT LEDS DEUTSCH CONNECTOR 5-YEAR WARRANTY
 F 800 SERIES REVERSE-MOUNTED SPEAKER SMART & OEM OPTIONS ECCOLIFE™ WARRANTY	 SA951 SMART ALARM™™ 12-48V, 77-97dB 2-YEAR WARRANTY	 EA9724 MULTI-FREQUENCY™ SMART ALARM™™ 12-24V, 77-97dB ECCOLIFE™ WARRANTY	 EC7008-WK 7" QUAD VIEW LCD COLOR WIRELESS SYSTEM FOUR CAMERA EXPANDABLE

VEHICLE MOUNTING

7160 SERIES
BRANCH GUARD - #A6050BG
7965 SERIES
BRANCH GUARD - #A6050BG
7950 SERIES
BRANCH GUARD - #A6070BG



BACKHOE SOLUTIONS

SOLUCIONES DE RETROEXCAVADORAS | SOLUTIONS POUR PELLES RÉTROCAVEUSES



FEATURED PRODUCT EW4030

FIFTY-SIX 1.5-WATT LEDS, DEUTSCH CONNECTOR

The EW4030 worklight casts a wide, diffused beam to fully illuminate the operating area. It features 170-degrees of articulation and built-in deutsch connector. The robust LED is built to last and offers a built-in vent to help avoid fogging issues.

La luz de trabajo EW4030 proyecta un haz ancho y difuso para iluminar completamente el área de trabajo. Cuenta con 170 grados de articulación y un conector Deutsch integrado. La sólida luz LED está fabricada para durar y ofrece una ventilación integrada que ayuda a evitar problemas de empañamiento.

La lampe de travail EW4030 projette un faisceau large et diffus pour éclairer entièrement la zone de travail. Elle est dotée d'une articulation à 170 degrés et d'un connecteur Deutsch intégré. La DEL robuste est conçue pour durer et comporte un évent intégré afin de prévenir la formation de buée.

A



EB7260 SERIES
MINI POLE MOUNT
SAE CLASS I OR II
5-YEAR WARRANTY



7660 SERIES ROTOLED™
LED HYBRID BEACON
SAE CLASS I
5-YEAR WARRANTY



7980 SERIES
SINGLE-COLOR LED BEACON
SAE CLASS II
5-YEAR WARRANTY



7965 SERIES
SINGLE-COLOR LED BEACON
SAE CLASS I
5-YEAR WARRANTY

B



EW4030
FIFTY-SIX 1.5-WATT LEDS
DEUTSCH CONNECTOR
5-YEAR WARRANTY



EW4010
FOUR 12-WATT LEDS
DOT CERTIFIED WITH SNOW-MELT
5-YEAR WARRANTY



EW2530
SIX 10-WATT LEDS
120° FLOOD WORKLIGHT
5-YEAR WARRANTY



EW2605
NINE 7-WATT LEDS
DEUTSCH CONNECTOR
5-YEAR WARRANTY

VEHICLE MOUNTING

7980 SERIES
BRANCH GUARD - #A6070BG
7965 SERIES
BRANCH GUARD - #A6050BG



C



7160 SERIES REFLEX®
SINGLE-COLOR LED BEACON
SAE CLASS I
5-YEAR WARRANTY



EB7185 SERIES
DUAL-COLOR LED BEACON
SAE CLASS I
5-YEAR WARRANTY



5580 SERIES REFLEX®
SINGLE-COLOR
SAE CLASS II, 15"
5-YEAR WARRANTY



5550 SERIES REFLEX®
SINGLE- OR DUAL-COLOR
SAE CLASS I, 11"
5-YEAR WARRANTY

D



ED3701/3702 SERIES
SINGLE-, SPLIT-, DUAL- OR TRI-COLOR
SAE CLASS I
5-YEAR WARRANTY



ED3777 SERIES
SINGLE- OR DUAL-COLOR
SAE CLASS I
5-YEAR WARRANTY



ED3700 SERIES
SINGLE-, SPLIT- OR DUAL-COLOR
SAE CLASS I
5-YEAR WARRANTY



3811/3861 SERIES
SINGLE- OR DUAL-COLOR
SAE CLASS I
5-YEAR WARRANTY

E



EW2510 SERIES
NINE 10-WATT LEDS
SEVERE DUTY SPOT OR FLOOD
5-YEAR WARRANTY



EW2110 SERIES
SEVEN 1-WATT LEDS
OPTIONAL DEUTSCH CONNECTOR
5-YEAR WARRANTY



EA9780
MULTI-FREQUENCY™ SMART ALARM™
36-80V, 77-97dB
ECCOLIFE™ WARRANTY



EC7008-WK
7" QUAD VIEW LCD
COLOR WIRELESS SYSTEM
FOUR CAMERA EXPANDABLE

VEHICLE MOUNTING

ED3701/02 BRACKET
90° L BRACKET - #EZ3704LBKT
GRILLE BRACKET - #EZ3704GBKT
ED3700 SERIES BRACKET
90° L BRACKET - #EZ3703LBKT / #EZ3704LBKT / #EZ3705LBKT
GRILLE BRACKET - #EZ3703GBKT / #EZ3704GBKT / #EZ3705GBKT
LICENSE PLATE BRACKET - #EZ3706LPBKTH
7160 SERIES
BRANCH GUARD - #A6050BG



FRONT LOADER SOLUTIONS

SOLUCIONES DE CARGADORAS | SOLUTIONS POUR CHARGEUSES FRONTALES



FEATURED PRODUCT EW4020

THIRTY-SIX 1.2-WATT LEDS, DEUTSCH CONNECTOR, HEATED LENS

The EW4020 worklight offers a heated lens and built-in deutsch connector. This worklight is perfect for a variety of applications, especially those that operate in colder months. The ruggedized worklight is built to last and features a built-in vent to prevent fogging.

La luz de trabajo EW4020 ofrece un lente con calefacción y un conector Deutsch integrado. Esta luz de trabajo es perfecta para una variedad de aplicaciones, especialmente aquellas que operan en los meses más fríos. La resistente luz de trabajo está diseñada para una duración prolongada y cuenta con una ventilación incorporada para evitar el empañamiento.

La lampe de travail EW4020 est équipée d'une lentille chauffante et d'un connecteur Deutsch intégré. Cette lampe de travail est parfaite pour une grande variété d'applications, particulièrement durant les mois plus froids. La lampe de travail robuste est conçue pour durer et comprend un évent intégré pour prévenir la formation de buée.

A



7160 SERIES REFLEX®
SINGLE-COLOR LED BEACON
SAE CLASS I
5-YEAR WARRANTY



7660 SERIES ROTOLED™
LED HYBRID BEACON
SAE CLASS I
5-YEAR WARRANTY



7965 SERIES
SINGLE-COLOR LED BEACON
SAE CLASS I
5-YEAR WARRANTY



7950 SERIES
SINGLE-COLOR LED BEACON
SAE CLASS II
5-YEAR WARRANTY

B



EW4020
THIRTY-SIX 1.2-WATT LEDS
DEUTSCH CONNECTOR, HEATED LENS
5-YEAR WARRANTY



EW2605
NINE 7-WATT LEDS
DEUTSCH CONNECTOR
5-YEAR WARRANTY



EW4010
FOUR 12-WATT LEDS
DOT CERTIFIED WITH SNOW-MELT
5-YEAR WARRANTY



EW2101
SIX 3-WATT LEDS
FLOOD WORKLIGHT
5-YEAR WARRANTY

VEHICLE MOUNTING

- 7160 SERIES**
BRANCH GUARD - #A6050BG
- 7965 SERIES**
BRANCH GUARD - #A6050BG
- 7950 SERIES**
BRANCH GUARD - #A6070BG

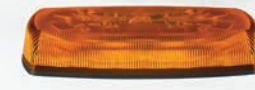
C



7970 SERIES
SINGLE-COLOR LED BEACON
SAE CLASS I
5-YEAR WARRANTY



EB7185 SERIES
DUAL-COLOR LED BEACON
SAE CLASS I
5-YEAR WARRANTY



5580 SERIES REFLEX®
SINGLE-COLOR
SAE CLASS II, 15"
5-YEAR WARRANTY



5550 SERIES REFLEX®
SINGLE- OR DUAL-COLOR
SAE CLASS I, 11"
5-YEAR WARRANTY

D



ED3701/3702 SERIES
SINGLE-, SPLIT, DUAL- OR TRI-COLOR
SAE CLASS I
5-YEAR WARRANTY



ED3779 SERIES
SINGLE- OR DUAL-COLOR
SAE CLASS I
5-YEAR WARRANTY



EW4020
THIRTY-SIX 1.2-WATT LEDS
DEUTSCH CONNECTOR, HEATED LENS
5-YEAR WARRANTY



EW2110 SERIES
SEVEN 1-WATT LEDS
OPTIONAL DEUTSCH CONNECTOR
5-YEAR WARRANTY

E



EW3208
8" DOUBLE ROW
FLOOD / SPOT COMBO
5-YEAR WARRANTY



EA9724
MULTI-FREQUENCY™ SMART ALARM™
12-24V, 77-97dB
ECCOLIFE™ WARRANTY



600 SERIES
REVERSE-MOUNTED SPEAKER
SMART ALARM™ OPTIONS
ECCOLIFE™ WARRANTY



EC5605-WK
5.6" COLOR WIRELESS SYSTEM
FOUR CAMERA EXPANDABLE
1-YEAR WARRANTY

VEHICLE MOUNTING

- ED3701/02 BRACKET**
90° L BRACKET - #EZ3704LBKT
GRILLE BRACKET - #EZ3704GBKT
- ED3779 SERIES BRACKET**
90° L BRACKET - #EZ3799-LBKT
- 7970 SERIES**
BRANCH GUARD - #A6070BG



ADDITIONAL ACCESSORIES, MODELS, AND YEARS AVAILABLE AT WWW.ECCOESG.COM
Otros accesorios, modelos y años disponibles en www.ecco.esg.com | Accessoires, modèles et années supplémentaires offerts à l'adresse www.ecco.esg.com

BULLDOZER SOLUTIONS

SOLUCIONES DE TOPADORAS | SOLUTIONS POUR BOUTEURS



FEATURED PRODUCT EW2530

SIX 10-WATT LEDS | DEUTSCH CONNECTOR

The EW2530 worklight produces a 120-degree beam pattern with extremely bright light. Its compact design makes this worklight perfect for a variety of applications. Mount it where you need it most to illuminate the work site or light the way forward.

La luz de trabajo EW2530 produce un patrón de haz de 120 grados con una luz extremadamente brillante. Su diseño compacto hace que esta luz de trabajo sea perfecta para una variedad de aplicaciones. Móntela donde más lo necesite para iluminar el sitio de trabajo o el camino hacia delante.

La lampe de travail EW2530 produit une trajectoire de faisceau à 120 degrés avec une lumière extrêmement brillante. Grâce à sa conception compacte, cette lampe de travail est parfaite pour une grande variété d'applications. Installez-la à l'endroit où vous en avez le plus besoin pour éclairer le chantier ou la route devant.

A



7970 SERIES
SINGLE-COLOR LED BEACON
SAE CLASS I
5-YEAR WARRANTY



EB7185 SERIES
DUAL-COLOR LED BEACON
SAE CLASS I
5-YEAR WARRANTY



5580 SERIES REFLEX®
SINGLE-COLOR
SAE CLASS II, 15"
5-YEAR WARRANTY



5550 SERIES REFLEX®
SINGLE- OR DUAL-COLOR
SAE CLASS I, 11"
5-YEAR WARRANTY

B



EW2530
SIX 10-WATT LEDS
120° FLOOD WORKLIGHT
5-YEAR WARRANTY



EW2110 SERIES
SEVEN 1-WATT LEDS
OPTIONAL DEUTSCH CONNECTOR
5-YEAR WARRANTY



EW2605
NINE 7-WATT LEDS
DEUTSCH CONNECTOR
5-YEAR WARRANTY



EW3200 SERIES
DOUBLE ROW, 8-25" MODELS
FLOOD/SPOT COMBO
5-YEAR WARRANTY

C



7160 SERIES REFLEX®
SINGLE-COLOR LED BEACON
SAE CLASS I
5-YEAR WARRANTY



7660 SERIES ROTOLED™
LED HYBRID BEACON
SAE CLASS I
5-YEAR WARRANTY



7965 SERIES
SINGLE-COLOR LED BEACON
SAE CLASS I
5-YEAR WARRANTY



7950 SERIES
SINGLE-COLOR LED BEACON
SAE CLASS II
5-YEAR WARRANTY

D



EW0360 / EW0370
LED INTERIOR LIGHTING
SURFACE MOUNT
5-YEAR WARRANTY



EW0800 SERIES
LED INTERIOR LIGHTING
90° CORNER MOUNT
5-YEAR WARRANTY



EW0202/203 SERIES
LED INTERIOR LIGHTING
HIGH-BOND TAPE / SCREW MOUNT
5-YEAR WARRANTY



EW0100 SERIES
LED STRIP LIGHTING
HIGH-BOND TAPE / SCREW MOUNT
5-YEAR WARRANTY

E



EW2101
SIX 3-WATT LEDS
FLOOD WORKLIGHT
5-YEAR WARRANTY



EW2110 SERIES
SEVEN 1-WATT LEDS
OPTIONAL DEUTSCH CONNECTOR
5-YEAR WARRANTY



EW2605
NINE 7-WATT LEDS
DEUTSCH CONNECTOR
5-YEAR WARRANTY



EW2530
SIX 10-WATT LEDS
120° FLOOD WORKLIGHT
5-YEAR WARRANTY

F



800 SERIES
REVERSE-MOUNTED SPEAKER
SMART & OEM OPTIONS
ECCOLIFE™ WARRANTY



EA9724
MULTI-FREQUENCY™ SMART ALARM™
12-24V, 77-97dB
ECCOLIFE™ WARRANTY



EC5605-WK
5.6" COLOR WIRELESS SYSTEM
FOUR CAMERA EXPANDABLE
1-YEAR WARRANTY



EC7008-WK
7" QUAD VIEW LCD
COLOR WIRELESS SYSTEM
FOUR CAMERA EXPANDABLE



VEHICLE MOUNTING

7970 SERIES
BRANCH GUARD - #A6070BG



VEHICLE MOUNTING

7160 SERIES
BRANCH GUARD - #A6050BG
7965 SERIES
BRANCH GUARD - #A6050BG
7950 SERIES
BRANCH GUARD - #A6070BG

ADDITIONAL ACCESSORIES, MODELS, AND YEARS AVAILABLE AT WWW.ECCOESG.COM
Otros accesorios, modelos y años disponibles en www.ecco.esg.com | Accessoires, modèles et années supplémentaires offerts à l'adresse www.ecco.esg.com

CRANE SOLUTIONS

SOLUCIONES DE GRÚAS | SOLUTIONS POUR GRUES



FEATURED PRODUCT 5550 SERIES REFLEX®

11" MICROBAR



5550 Series LED microbars provide a super-compact yet powerful warning solution that offers the flexibility of either permanent or vacuum-magnet mounting. Featuring 12-24 VDC operation, the Reflex microbar uses high intensity LEDs to maximize light output. Operators can select from 35 flash patterns, either by trigger wire on permanent mount models or by cigarette plug switch on vacuum-magnet models.

Las microbarras LED de la serie 5550 ofrecen una solución de advertencia supercompacta, pero potente, que ofrece la flexibilidad de un montaje magnético permanente o de vacío. Con un funcionamiento de 12 V CC a 24 V CC, la microbarra Reflex utiliza luces LED de gran intensidad para aumentar al máximo la salida luminosa. Los operadores pueden seleccionar entre 35 patrones de destello, ya sea mediante un cable de activación en modelos de montaje permanente o un interruptor en el encendedor para cigarrillos en los modelos de imán de vacío.

Les microbarras à DEL de la série 5550 fournissent une solution d'avertissement ultra-compacte et puissante, offrant la flexibilité d'un montage permanent ou d'un support magnétique sous vide. Avec son fonctionnement à 12-24 V c. c., la microbarre Reflex utilise des DEL à haute puissance pour optimiser le flux lumineux. Les conducteurs peuvent choisir parmi 35 schémas de clignotement, soit par le câble de déclenchement sur les modèles à montage permanent, soit par le commutateur de l'allumecigare sur les modèles à support magnétique sous vide.

A



EB7260 SERIES
MINI POLE MOUNT
SAE CLASS I OR II
5-YEAR WARRANTY



7965 SERIES
SINGLE-COLOR LED BEACON
SAE CLASS I
5-YEAR WARRANTY



5580 SERIES REFLEX®
SINGLE-COLOR
SAE CLASS II, 15"
5-YEAR WARRANTY



5550 SERIES REFLEX®
SINGLE- OR DUAL-COLOR
SAE CLASS I, 11"
5-YEAR WARRANTY

B



ED3766 SERIES
DUAL- OR TRI-COLOR
SURFACE MOUNT
SAE CLASS I
5-YEAR WARRANTY



ED3777 SERIES
SINGLE- OR DUAL-COLOR
180° MULTI-MOUNT
SAE CLASS I
5-YEAR WARRANTY



ED3700 SERIES
SINGLE-, SPLIT OR DUAL-COLOR
SURFACE MOUNT
SAE CLASS I
5-YEAR WARRANTY



ED3701/3702 SERIES
SINGLE-, SPLIT-, DUAL- OR TRI-COLOR
LOW-PROFILE SURFACE MOUNT
SAE CLASS I
5-YEAR WARRANTY

C



FOCUS360™ SERIES
TEN 5-WATT LEDs
360° CONTINUOUS ROTATION
5-YEAR WARRANTY



EW2110 SERIES
SEVEN 1-WATT LEDs
OPTIONAL DEUTSCH CONNECTOR
5-YEAR WARRANTY



EW2605
NINE 7-WATT LEDs
DEUTSCH CONNECTOR
5-YEAR WARRANTY



EW2530
SIX 10-WATT LEDs
120° FLOOD WORKLIGHT
5-YEAR WARRANTY

D



EW0360 / EW0370
LED INTERIOR LIGHTING
SURFACE MOUNT
5-YEAR WARRANTY



EW0800 SERIES
LED INTERIOR LIGHTING
90° CORNER MOUNT
5-YEAR WARRANTY



EW0202/203 SERIES
LED INTERIOR LIGHTING
HIGH-BOND TAPE / SCREW MOUNT
5-YEAR WARRANTY



EW0100 SERIES
LED STRIP LIGHTING
HIGH-BOND TAPE / SCREW MOUNT
5-YEAR WARRANTY

E



800 SERIES
REVERSE-MOUNTED SPEAKER
SMART & OEM OPTIONS
ECCOLIFE™ WARRANTY



EA9724
MULTI-FREQUENCY™ SMART ALARM™
12-24V, 77-97dB
ECCOLIFE™ WARRANTY



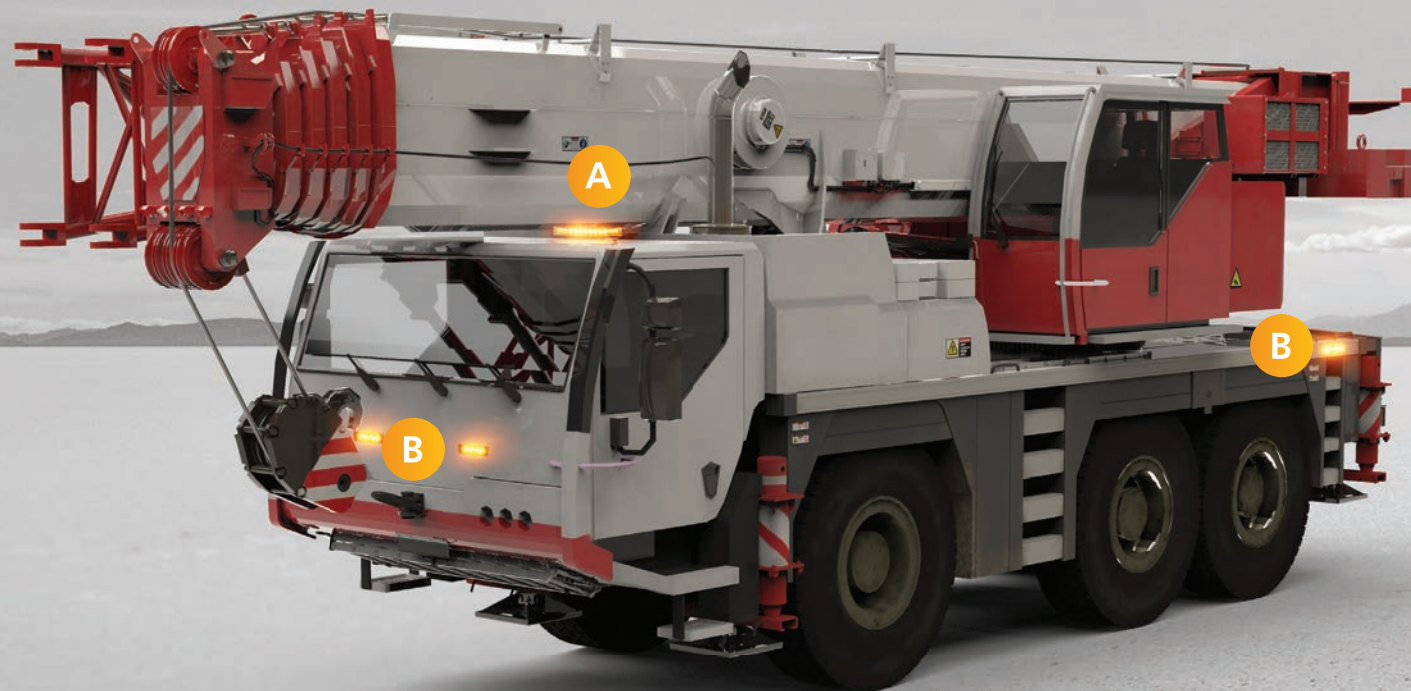
EC5605-WK
5.6" COLOR WIRELESS SYSTEM
FOUR CAMERA EXPANDABLE
1-YEAR WARRANTY



EC7008-WK
7" QUAD VIEW LCD
COLOR WIRELESS SYSTEM
FOUR CAMERA EXPANDABLE

VEHICLE MOUNTING

ED3701/02 BRACKET
90° L BRACKET - #EZ3704LBKT
GRILLE BRACKET - #EZ3704GBKT
ED3766 SERIES BRACKET
UNIVERSAL BRACKET - #EZ3766L



ADDITIONAL ACCESSORIES, MODELS, AND YEARS AVAILABLE AT WWW.ECCOESG.COM
Otros accesorios, modelos y años disponibles en www.ecco.esg.com | Accessoires, modèles et années supplémentaires offerts à l'adresse www.ecco.esg.com

DUMP TRUCK SOLUTIONS

SOLUCIONES DE CAMIONES DE VOLTEO | SOLUTIONS POUR CAMIONS À BENNE



FEATURED PRODUCT ED9215 SERIES

COMBO WARNING AND WORKLIGHT



The ED9215 is ideal for mounting on bumpers or the grille. It produces 135° of coverage and features a powerful light to illuminate the job site. The intense white light is in the center and it is flanked by dual-color warning lights. Two Hide-A-LED™ warning lights are mounted at a 45° angle on each end to provide effective off-angle visibility. Be seen and get the job done safely with this all-in-one, directional lighting solution.

El modelo ED9215 es ideal para montarlo en parachoques o en la rejilla. Produce 135° de cobertura y cuenta con una potente luz para iluminar el sitio de trabajo. La intensa luz blanca está en el centro, rodeada por luces de advertencia de dos colores. Dos luces de advertencia Hide-A-LED™ están montadas en un ángulo de 45° en cada extremo para proporcionar una eficaz visibilidad fuera del ángulo. Destáquese y realice el trabajo de manera segura con esta solución de iluminación direccional todo en uno.

Le modèle ED9215 est idéal pour le montage sur le pare-chocs ou la calandre. Il offre une couverture sur 135° et un éclairage puissant pour éclairer le chantier. L'éclairage blanc extrêmement éblouissant se trouve au centre et est flanqué de feux de détresse bicolores. Deux feux de détresse Hide-A-LED™ sont montés à un angle de 45° à chaque extrémité pour offrir une bonne visibilité sans limites d'angle. Soyez visible et accomplissez votre travail en toute sécurité grâce à cette solution d'éclairage directionnel tout-en-un.

A



12+ SERIES VANTAGE™
SAE CLASS I LIGHTBAR
24-72" LENGTHS
5-YEAR WARRANTY



21 SERIES
SAE CLASS I LIGHTBAR
22-91" LENGTHS
5-YEAR WARRANTY



5590 SERIES REFLEX®
SINGLE- OR DUAL-COLOR
SAE CLASS I, 15"
5-YEAR WARRANTY



5550 SERIES REFLEX®
SINGLE- OR DUAL-COLOR
SAE CLASS I, 11"
5-YEAR WARRANTY

B



ED5051 SERIES
SINGLE- OR DUAL-COLOR
SAE CLASS I
5-YEAR WARRANTY



ED3777 SERIES
SINGLE- OR DUAL-COLOR
SAE CLASS I
5-YEAR WARRANTY



ED3700 SERIES
SINGLE-, SPLIT OR DUAL-COLOR
SAE CLASS I
5-YEAR WARRANTY



ED9040 SERIES
SINGLE- OR DUAL-COLOR
SAE CLASS I
5-YEAR WARRANTY

C



ED9215 SERIES
COMBO WARNING AND WORKLIGHT
SAE CLASS I
5-YEAR WARRANTY

VEHICLE MOUNTING

12+ SERIES VANTAGE™
HEADACHE RACK BRACKET - #A1032RMK
STANDARD FEET KIT - #ER0002

21/27 SERIES
HEADACHE RACK BRACKET - #A2127HRMK
STANDARD FEET KIT - #A2127FT

ED3700 SERIES BRACKET

90° L BRACKET - #E23703LBKT / #E23704LBKT / #E23705LBKT
GRILLE BRACKET - #E23703GBKT / #E23704GBKT / #E23705GBKT
LICENSE PLATE BRACKET - #E23706LPBKTH



D



FOCUS360™ SERIES
TEN 5-WATT LEDS
360° CONTINUOUS ROTATION
5-YEAR WARRANTY



EW2110 SERIES
SEVEN 1-WATT LEDS
OPTIONAL DEUTSCH CONNECTOR
5-YEAR WARRANTY



EW3420
50" COMBINATION UTILITY BAR
WITH SAFETY DIRECTOR™
5-YEAR WARRANTY



ED3300 SERIES
HIGH-INTENSITY WARNING
SAFETY DIRECTOR™
5-YEAR WARRANTY

E



EW0360 / EW0370
LED INTERIOR LIGHTING
SURFACE MOUNT
5-YEAR WARRANTY



EW0800 SERIES
LED INTERIOR LIGHTING
90° CORNER MOUNT
5-YEAR WARRANTY



EW0202/203 SERIES
LED INTERIOR LIGHTING
HIGH-BOND TAPE / SCREW MOUNT
5-YEAR WARRANTY



EW0100 SERIES
LED STRIP LIGHTING
HIGH-BOND TAPE / SCREW MOUNT
5-YEAR WARRANTY

F



ED9040 SERIES
SINGLE- OR DUAL-COLOR
CONCEALED WARNING
SAE CLASS I
5-YEAR WARRANTY



ED3766 SERIES
DUAL- OR TRI-COLOR
SURFACE MOUNT
SAE CLASS I
5-YEAR WARRANTY



ED3701/3702 SERIES
SINGLE-, SPLIT-, DUAL- OR TRI-COLOR
LOW PROFILE, SURFACE MOUNT
SAE CLASS I
5-YEAR WARRANTY



3811/3861 SERIES
SINGLE- OR DUAL-COLOR
SURFACE OR GROMMET MOUNT
SAE CLASS I
5-YEAR WARRANTY

G



800 SERIES
REVERSE-MOUNTED SPEAKER
SMART & OEM OPTIONS
ECCOLIFE™ WARRANTY



EA9724
MULTI-FREQUENCY™ SMART ALARM™
12-24V, 77-97dB
ECCOLIFE™ WARRANTY



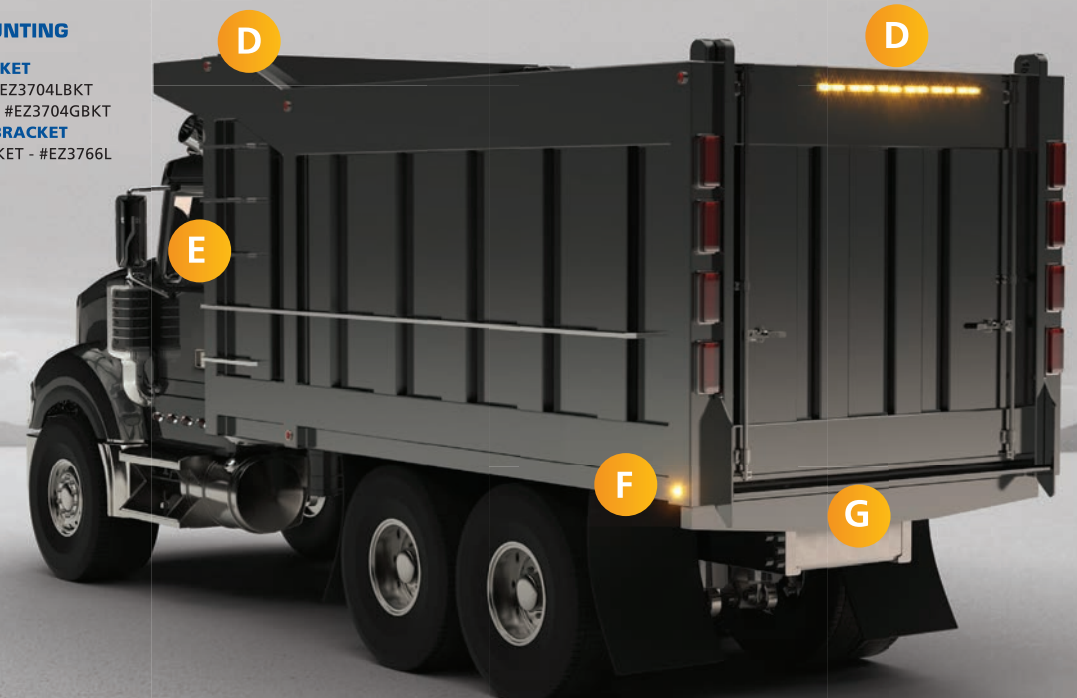
EC5605-WK
5.6" COLOR WIRELESS SYSTEM
FOUR CAMERA EXPANDABLE
1-YEAR WARRANTY



EC7008-WK
7" QUAD VIEW LCD
COLOR WIRELESS SYSTEM
FOUR CAMERA EXPANDABLE

VEHICLE MOUNTING

ED3701/02 BRACKET
90° L BRACKET - #E23704LBKT
GRILLE BRACKET - #E23704GBKT
ED3766 SERIES BRACKET
UNIVERSAL BRACKET - #E23766L



ADDITIONAL ACCESSORIES, MODELS, AND YEARS AVAILABLE AT WWW.ECCOESG.COM
Otros accesorios, modelos y años disponibles en www.ecco.esg.com | Accessoires, modèles et années supplémentaires offerts à l'adresse www.ecco.esg.com

ROAD ROLLER SOLUTIONS

SOLUCIONES DE COMPACTADOR | SOLUTIONS POUR ROULEAUX COMPRESSEURS



FEATURED PRODUCT 7965 SERIES

SINGLE-COLOR LED BEACON

The 7965 Series beacon combines all the major benefits of the latest LED technology with a traditional, strobe-style housing at a price point comparable to a strobe. Available in either 5" or 7" height profiles, the 7965 is suitable for a wide range of applications where a high-intensity SAE Class I light is required. The 7965 features 12-24VDC operation and 11 flash patterns that produce an attention-getting warning signal. Each unit is backed by a five-year warranty.

La baliza de la serie 7965 combina todas las ventajas más importantes de la tecnología LED más avanzada con una caja de estilo tradicional de luz estroboscópica a un precio comparable al de una luz estroboscópica. Disponible en perfiles de altura de 127 mm (5 in) o 178 mm (7 in), el modelo 7965 es adecuado para una amplia gama de aplicaciones en las que se requiere una luz SAE Clase I de gran intensidad. El modelo 7965 cuenta con un funcionamiento de 12 V CC a 24 V CC y 11 patrones de destello que producen una señal de advertencia que llama la atención. Cada unidad está respaldada por una garantía de cinco años.

Le gyrophare de la série 7965 combine tous les avantages de la plus récente technologie à DEL avec un boîtier de style stroboscopique traditionnel à un prix comparable à celui d'un stroboscope. Disponible en profils de hauteur de 12,7 cm (5 po) ou 17,8 cm (7 po), la 7965 convient à une multitude d'applications nécessitant un éclairage à haute puissance SAE de classe I. La série 7965 est dotée d'un fonctionnement de 12 à 24 V c. c. et de 11 schémas de clignotement qui produisent un signal d'avertissement bien visible. Chaque unité est couverte par une garantie de cinq ans.

A



7965 SERIES
SINGLE-COLOR LED BEACON
SAE CLASS I
5-YEAR WARRANTY



EB7260 SERIES
MINI POLE MOUNT
SAE CLASS I OR II
5-YEAR WARRANTY



5580 SERIES REFLEX®
SINGLE-COLOR
SAE CLASS II, 15"
5-YEAR WARRANTY



5550 SERIES REFLEX®
SINGLE- OR DUAL-COLOR
SAE CLASS I, 11"
5-YEAR WARRANTY

B



EW4020
THIRTY-SIX 1.2-WATT LEDS
DEUTSCH CONNECTOR, HEATED LENS
5-YEAR WARRANTY



EW2603
FIFTEEN 1.5 WATT LEDS
110° LIGHT OUTPUT
5-YEAR WARRANTY



EW2605
NINE 7-WATT LEDS
DEUTSCH CONNECTOR
5-YEAR WARRANTY



EW2530
SIX 10-WATT LEDS
120° FLOOD WORKLIGHT
5-YEAR WARRANTY

VEHICLE MOUNTING

7965 SERIES
BRANCH GUARD - #A6050BG



C



EW0360 / EW0370
LED INTERIOR LIGHTING
SURFACE MOUNT
5-YEAR WARRANTY



EW0800 SERIES
LED INTERIOR LIGHTING
90° CORNER MOUNT
5-YEAR WARRANTY



EW0202/203 SERIES
LED INTERIOR LIGHTING
HIGH-BOND TAPE / SCREW MOUNT
5-YEAR WARRANTY



EW0100 SERIES
LED STRIP LIGHTING
HIGH-BOND TAPE / SCREW MOUNT
5-YEAR WARRANTY

D



EW2101
SIX 3-WATT LEDS
FLOOD WORKLIGHT
5-YEAR WARRANTY



EW2110 SERIES
SEVEN 1-WATT LEDS
OPTIONAL DEUTSCH CONNECTOR
5-YEAR WARRANTY



EW2603
FIFTEEN 1.5 WATT LEDS
110° LIGHT OUTPUT
5-YEAR WARRANTY



EW2530
SIX 10-WATT LEDS
120° FLOOD WORKLIGHT
5-YEAR WARRANTY

E



EW3208
8" DOUBLE ROW
FLOOD / SPOT COMBO
5-YEAR WARRANTY



EA9724
MULTI-FREQUENCY™ SMART ALARM™
12-24V, 77-97dB
ECCOLIFE™ WARRANTY



600 SERIES
REVERSE-MOUNTED SPEAKER
SMART ALARM™ OPTIONS
ECCOLIFE™ WARRANTY



EC5605-WK
5.6" COLOR WIRELESS SYSTEM
FOUR CAMERA EXPANDABLE
1-YEAR WARRANTY

A



VEHICLE MOUNTING

7160 SERIES
BRANCH GUARD - #A6050BG
7965 SERIES
BRANCH GUARD - #A6050BG
7950 SERIES
BRANCH GUARD - #A6070BG

CONCRETE TRUCK SOLUTIONS

SOLUCIONES DE CAMIONES HORMIGONEROS | SOLUTIONS POUR CAMIONS-MALAXEURS



FEATURED PRODUCT ED3777 SERIES

ULTIMATE COMBINATION LIGHT, SAE CLASS I



A bright and versatile 180-degree warning light with worklight and puddle-light functions that are suited to a wide variety of applications. Its low profile, narrow shape and multiple mounting options provide superior flexibility.

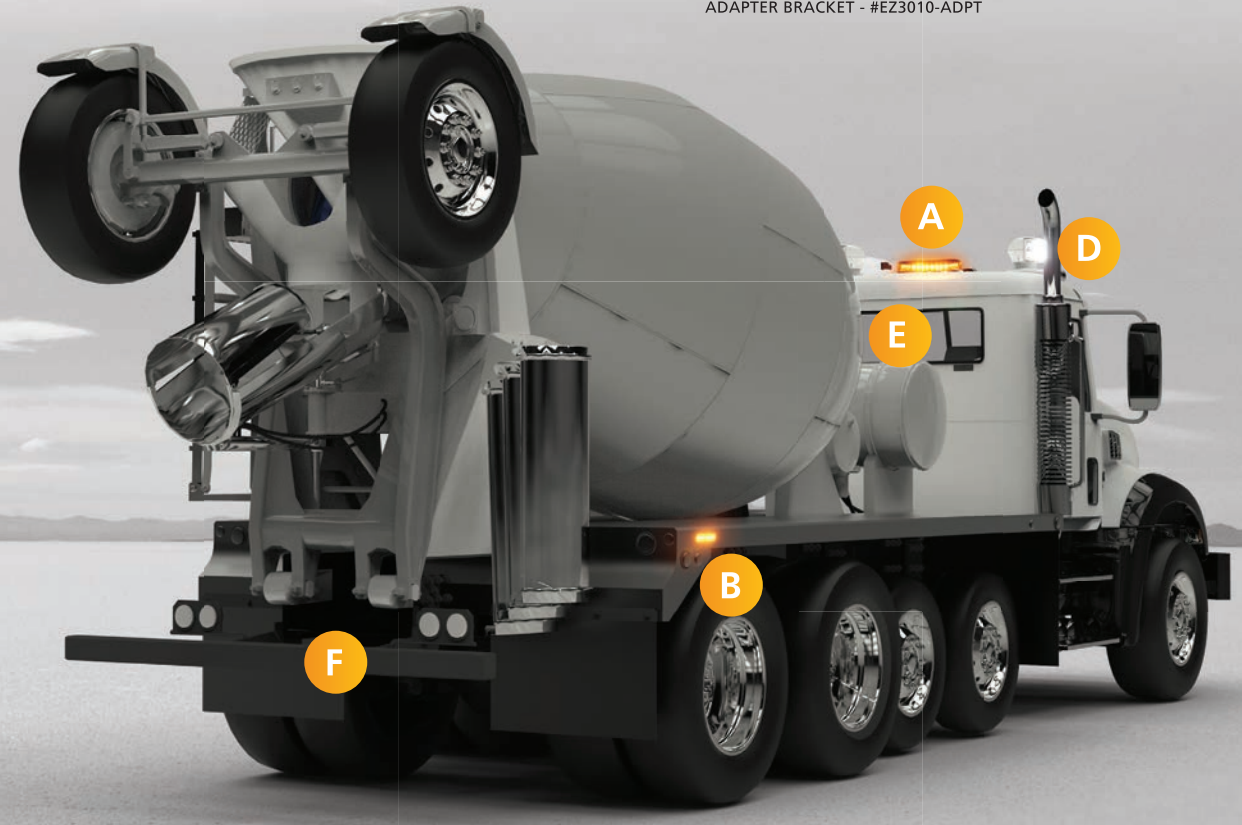
Una brillante y versátil luz de advertencia de 180 grados que combina una luz de trabajo y de iluminación amplia adecuada para una amplia gama de aplicaciones. Su bajo perfil, forma angosta y las diversas opciones de montaje proporcionan una flexibilidad superior.

Un feu de détresse lumineux et polyvalent à 180 degrés avec des fonctions de lampes de travail et d'éclairage au sol adaptées à une grande variété d'applications. Son profil bas, sa forme étroite et ses nombreuses options de montage offrent une flexibilité supérieure.

<p>A</p> <p>7460 SERIES PROFILE™ SINGLE-COLOR LED BEACON SAE CLASS I OR II 5-YEAR WARRANTY</p>	<p>7965 SERIES SINGLE-COLOR LED BEACON SAE CLASS I 5-YEAR WARRANTY</p>	<p>5580 SERIES REFLEX® SINGLE-COLOR SAE CLASS II, 15" 5-YEAR WARRANTY</p>	<p>5550 SERIES REFLEX® SINGLE- OR DUAL-COLOR SAE CLASS I, 11" 5-YEAR WARRANTY</p>
<p>B</p> <p>ED3777 SERIES SINGLE- OR DUAL-COLOR 180° MULTI-MOUNT SAE CLASS I 5-YEAR WARRANTY</p>	<p>ED3701/3702 SERIES SINGLE-, SPLIT-, DUAL- OR TRI-COLOR LOW PROFILE, SURFACE MOUNT SAE CLASS I 5-YEAR WARRANTY</p>	<p>ED3700 SERIES SINGLE-, SPLIT OR DUAL-COLOR SURFACE MOUNT SAE CLASS I 5-YEAR WARRANTY</p>	<p>ED3766 SERIES DUAL- OR TRI-COLOR SURFACE MOUNT SAE CLASS I 5-YEAR WARRANTY</p>
<p>C</p> <p>ED9215 SERIES COMBO WARNING AND WORKLIGHT SAE CLASS I 5-YEAR WARRANTY</p>	<p>VEHICLE MOUNTING ED3701/02 BRACKET 90° L BRACKET - #EZ3704LBKT GRILLE BRACKET - #EZ3704GBKT ED3766 SERIES BRACKET UNIVERSAL BRACKET - #EZ3766L</p>		

<p>D</p> <p>FOCUS360™ SERIES TEN 5-WATT LEDS 360° CONTINUOUS ROTATION 5-YEAR WARRANTY</p>	<p>EW2110 SERIES SEVEN 1-WATT LEDS OPTIONAL DEUTSCH CONNECTOR 5-YEAR WARRANTY</p>	<p>EW2605 NINE 7-WATT LEDS DEUTSCH CONNECTOR 5-YEAR WARRANTY</p>	<p>EW2530 SIX 10-WATT LEDS 120° FLOOD WORKLIGHT 5-YEAR WARRANTY</p>
<p>E</p> <p>EW0360 / EW0370 LED INTERIOR LIGHTING SURFACE MOUNT 5-YEAR WARRANTY</p>	<p>EW0800 SERIES LED INTERIOR LIGHTING 90° CORNER MOUNT 5-YEAR WARRANTY</p>	<p>EW0202/203 SERIES LED INTERIOR LIGHTING HIGH-BOND TAPE / SCREW MOUNT 5-YEAR WARRANTY</p>	<p>EW0100 SERIES LED STRIP LIGHTING HIGH-BOND TAPE / SCREW MOUNT 5-YEAR WARRANTY</p>
<p>F</p> <p>800 SERIES REVERSE-MOUNTED SPEAKER SMART & OEM OPTIONS ECCOLIFE™ WARRANTY</p>	<p>EA9724 MULTI-FREQUENCY™ SMART ALARM™ 12-24V, 77-97dB ECCOLIFE™ WARRANTY</p>	<p>EC5605-WK 5.6" COLOR WIRELESS SYSTEM FOUR CAMERA EXPANDABLE 1-YEAR WARRANTY</p>	<p>EC7008-WK 7" QUAD VIEW LCD COLOR WIRELESS SYSTEM FOUR CAMERA EXPANDABLE</p>

VEHICLE MOUNTING
FOCUS360™ SERIES
ADAPTER BRACKET - #EZ3010-ADPT



ADDITIONAL ACCESSORIES, MODELS, AND YEARS AVAILABLE AT WWW.ECCOESG.COM
Otros accesorios, modelos y años disponibles en www.ecco.esg.com | Accessoires, modèles et années supplémentaires offerts à l'adresse www.ecco.esg.com

SERVICE BODY PICKUP SOLUTIONS

SOLUCIONES DE CAMIONETAS CON CARROCERÍA SERVICE-BODY
SOLUTIONS POUR CAMIONNETTES À CARROSSERIE-ATELIER



FEATURED PRODUCT ED5051 SERIES

SINGLE- OR DUAL-COLOR, MULTI-MOUNT, SAE CLASS I

The ED5051 Series directional has three mounting options and can be installed virtually anywhere on the vehicle's surface, from the grille to the rear hatch. SAE Class I light output, synchronization capability and a wide variety flash patterns deliver an effective multi-color warning system.

El direccional de la serie ED5051 tiene tres opciones de montaje y se puede instalar prácticamente en cualquier lugar de la superficie del vehículo, desde la rejilla hasta el maletero. SAE La salida luminosa de Clase I, la capacidad de sincronización y una amplia variedad de patrones de destello proporcionan un eficaz sistema de advertencia multicolor.

La série ED5051 directionnelle dispose de trois options de montage et peut être installée pratiquement n'importe où sur la surface du véhicule, de la calandre au hayon arrière. Le flux lumineux SAE de classe I, la capacité de synchronisation et une grande variété de schémas de clignotement offrent un système d'avertissement multicolore efficace.

A

12+ SERIES VANTAGE™
SAE CLASS I LIGHTBAR
24-72" LENGTHS
5-YEAR WARRANTY

21 SERIES
SAE CLASS I LIGHTBAR
22-91" LENGTHS
5-YEAR WARRANTY

5580 SERIES REFLEX®
SINGLE-COLOR LED MINIBAR
SAE CLASS II, 15"
5-YEAR WARRANTY

5550 SERIES REFLEX®
SINGLE- OR DUAL-COLOR
SAE CLASS I, 11"
5-YEAR WARRANTY

B

ED5051 SERIES
SINGLE- OR DUAL-COLOR
SAE CLASS I
5-YEAR WARRANTY

ED3701/3702 SERIES
SINGLE-, SPLIT-, DUAL- OR TRI-COLOR
SAE CLASS I
5-YEAR WARRANTY

ED3777 SERIES
SINGLE- OR DUAL-COLOR
SAE CLASS I
5-YEAR WARRANTY

ED3760 SERIES
DUAL-COLOR
RUNNING BOARDS, TAILGATES
5-YEAR WARRANTY

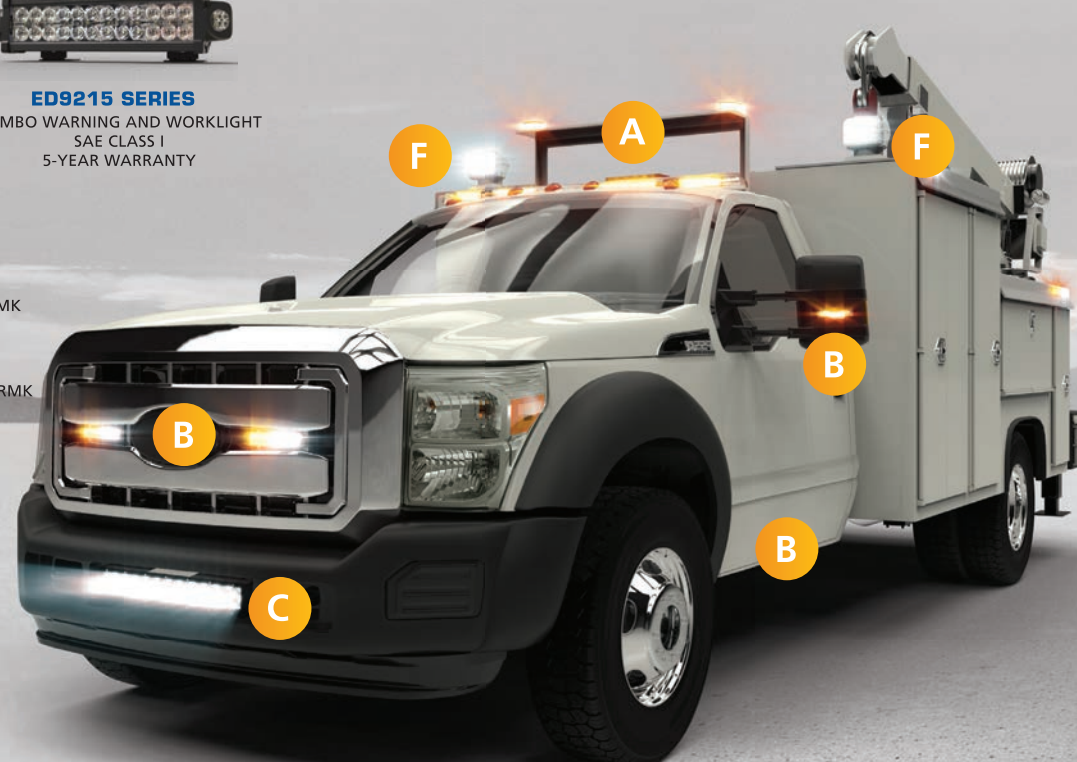
C

EW3200 SERIES
DOUBLE ROW, 8-25" MODELS
FLOOD/SPOT COMBO
5-YEAR WARRANTY

EW9215 SERIES
COMBO WARNING AND WORKLIGHT
SAE CLASS I
5-YEAR WARRANTY

VEHICLE MOUNTING

12+ SERIES VANTAGE™
HEADACHE RACK BRACKET - #A1032RMK
STANDARD FEET KIT - #ER0002
VEHICLE SPECIFIC BASKETS AVAILABLE
21 SERIES
HEADACHE RACK BRACKET - #A2127HRMK
STANDARD FEET KIT - #A2127FT
VEHICLE SPECIFIC BASKETS AVAILABLE



D

EW3420
50" COMBINATION UTILITY BAR
WITH SAFETY DIRECTOR™
5-YEAR WARRANTY

ED3300 SERIES
HIGH-INTENSITY WARNING
SAFETY DIRECTOR™
5-YEAR WARRANTY

E

EW0360 / EW0370
LED INTERIOR LIGHTING
SURFACE MOUNT
5-YEAR WARRANTY

EW0800 SERIES
LED INTERIOR LIGHTING
90° CORNER MOUNT
5-YEAR WARRANTY

EW0202/203 SERIES
LED INTERIOR LIGHTING
HIGH-BOND TAPE / SCREW MOUNT
5-YEAR WARRANTY

EW0100 SERIES
LED STRIP LIGHTING
HIGH-BOND TAPE / SCREW MOUNT
5-YEAR WARRANTY

F

FOCUS360™ SERIES
TEN 5-WATT LEDS
360° CONTINUOUS ROTATION
5-YEAR WARRANTY

EW2601 SERIES
TWENTY-SEVEN 1-WATT LEDS
40° DOWN ANGLE
5-YEAR WARRANTY

EW2605
NINE 7-WATT LEDS
DEUTSCH CONNECTOR
5-YEAR WARRANTY

EW2530
SIX 10-WATT LEDS
120° FLOOD WORKLIGHT
5-YEAR WARRANTY

G

EW3208
8" DOUBLE ROW
FLOOD / SPOT COMBO
5-YEAR WARRANTY

EA9724
MULTI-FREQUENCY™ SMART ALARM™
12-24V, 77-97dB
ECCOLIFE™ WARRANTY

500 SERIES
COMPACT SIZE
UNIVERSAL MOUNTING BRACKET
2-YEAR WARRANTY

EC7008-WK
7" QUAD VIEW LCD
COLOR WIRELESS SYSTEM
FOUR CAMERA EXPANDABLE



VEHICLE MOUNTING

FOCUS360™ SERIES
ADAPTER BRACKET - #EZ3010-ADPT

HIGHWAY PAVER SOLUTIONS

SOLUCIONES DE PAVIMENTADORAS DE CARRETERAS | SOLUTIONS POUR FINISSEUSES



FEATURED PRODUCT EW2520

TWENTY-FOUR 1.5 WATT LEDS

The EW2520 worklight produces extremely bright light to illuminate the vehicle's perimeter, truck bed or wherever it is needed most. Its compact design and easy installation make the EW2520 an effective and efficient lighting solution for any application in the fleet.

La luz de trabajo del modelo EW2520 produce una luz extremadamente brillante para iluminar el perímetro del vehículo, la plataforma del camión o donde sea que más se necesite. Su diseño compacto y de fácil instalación hace del EW2520 una solución de iluminación eficaz y eficiente para cualquier aplicación en la flota.

La lampe de travail EW2520 produit une lumière extrêmement brillante pour éclairer le périmètre du véhicule, la plateforme du camion ou tout autre endroit où elle peut être nécessaire. Son design compact et son installation facile font de la EW2520 une solution d'éclairage efficace et performante pour toutes les applications du parc.

A



EB7260 SERIES
MINI POLE MOUNT
SAE CLASS I OR II
5-YEAR WARRANTY



EB7185 SERIES
DUAL-COLOR LED BEACON
SAE CLASS I
5-YEAR WARRANTY



5580 SERIES REFLEX®
SINGLE-COLOR
SAE CLASS II, 15"
5-YEAR WARRANTY



5550 SERIES REFLEX®
SINGLE- OR DUAL-COLOR
SAE CLASS I, 11"
5-YEAR WARRANTY



7160 SERIES REFLEX®
SINGLE-COLOR LED BEACON
SAE CLASS I
5-YEAR WARRANTY



7660 SERIES ROTOLED™
LED HYBRID BEACON
SAE CLASS I
5-YEAR WARRANTY



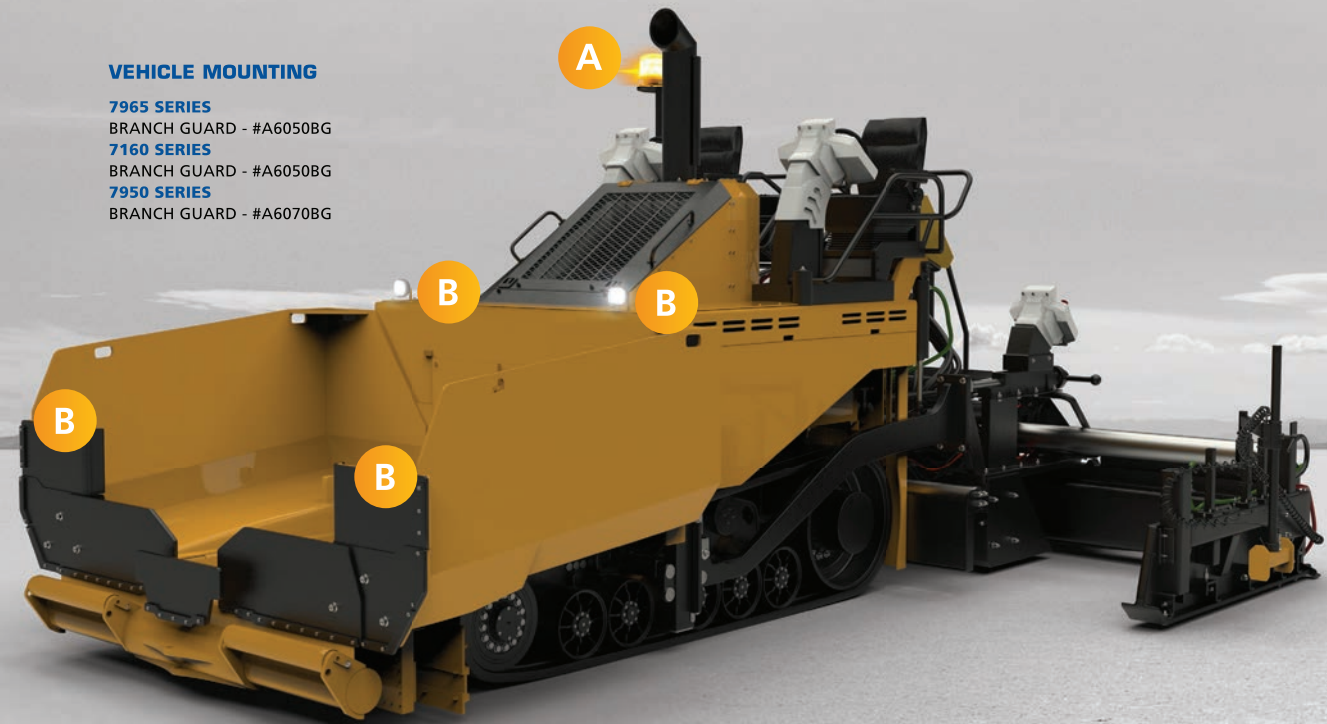
7965 SERIES
SINGLE-COLOR LED BEACON
SAE CLASS I
5-YEAR WARRANTY



7950 SERIES
SINGLE-COLOR LED BEACON
SAE CLASS II
5-YEAR WARRANTY

VEHICLE MOUNTING

- 7965 SERIES**
BRANCH GUARD - #A6050BG
- 7160 SERIES**
BRANCH GUARD - #A6050BG
- 7950 SERIES**
BRANCH GUARD - #A6070BG



B



EW2520
TWENTY-FOUR 1.5-WATT LEDS
DEUTSCH CONNECTOR
5-YEAR WARRANTY



EW2601 SERIES
TWENTY-SEVEN 1-WATT LEDS
40° DOWN ANGLE
5-YEAR WARRANTY



EW2530
SIX 10-WATT LEDS
120° FLOOD WORKLIGHT
5-YEAR WARRANTY



EW2101
SIX 3-WATT LEDS
FLOOD WORKLIGHT
5-YEAR WARRANTY



EW4020
THIRTY-SIX 1.2-WATT LEDS
DEUTSCH CONNECTOR, HEATED LENS
5-YEAR WARRANTY



EW2110 SERIES
SEVEN 1-WATT LEDS
OPTIONAL DEUTSCH CONNECTOR
5-YEAR WARRANTY



EW2605
NINE 7-WATT LEDS
DEUTSCH CONNECTOR
5-YEAR WARRANTY



EW2510 SERIES
NINE 10-WATT LEDS
SEVERE DUTY SPOT OR FLOOD
5-YEAR WARRANTY

C



EW3208
8" DOUBLE ROW
FLOOD / SPOT COMBO
5-YEAR WARRANTY



EA9724
MULTI-FREQUENCY™ SMART ALARM™
12-24V, 77-97dB
ECCOLIFE™ WARRANTY



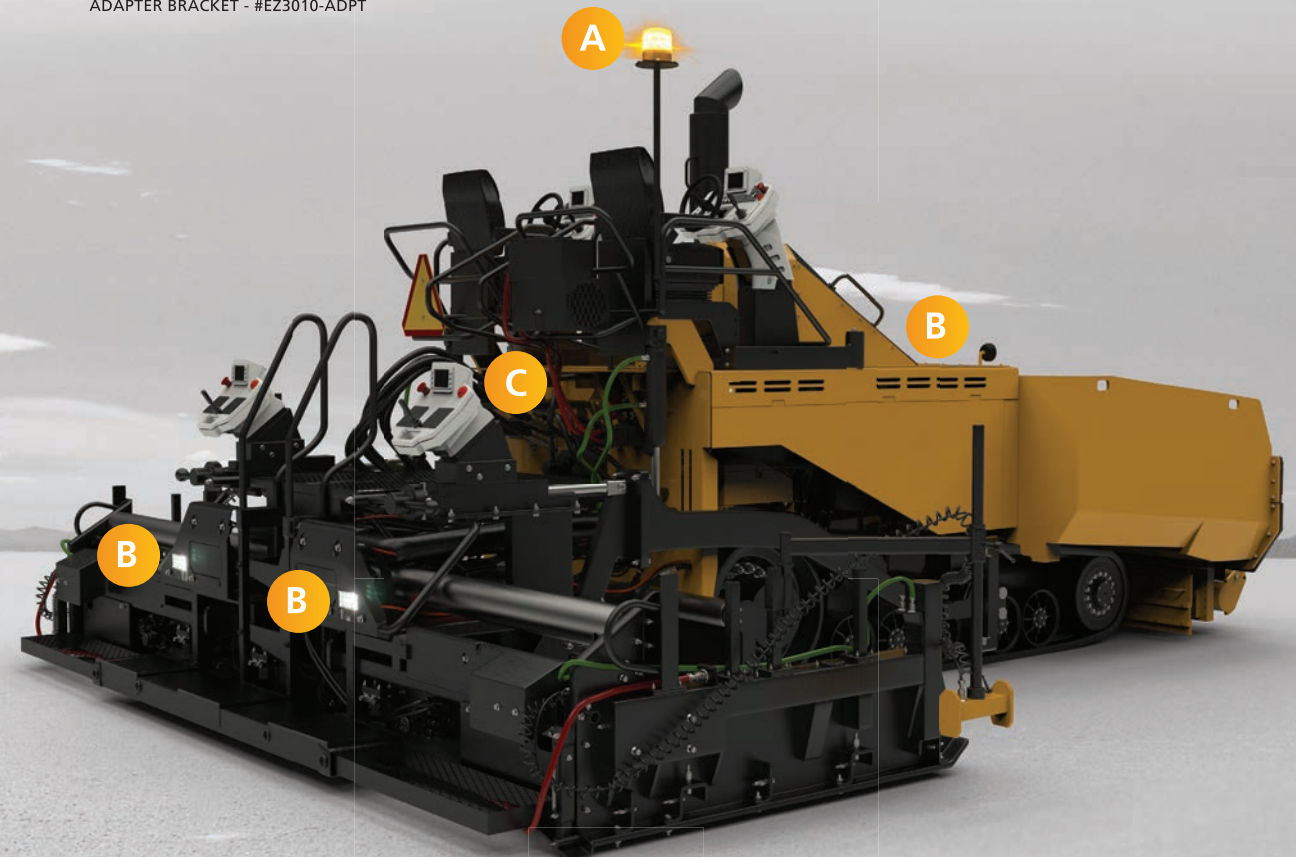
500 SERIES
COMPACT SIZE
UNIVERSAL MOUNTING BRACKET
2-YEAR WARRANTY



EC7008-WK
7" QUAD VIEW LCD
COLOR WIRELESS SYSTEM
FOUR CAMERA EXPANDABLE

VEHICLE MOUNTING

- FOCUS360™ SERIES**
ADAPTER BRACKET - #EZ3010-ADPT



ADDITIONAL ACCESSORIES, MODELS, AND YEARS AVAILABLE AT WWW.ECCOESG.COM
Otros accesorios, modelos y años disponibles en www.ecco.esg.com | Accessoires, modèles et années supplémentaires offerts à l'adresse www.ecco.esg.com

SKID STEER SOLUTIONS

SOLUCIONES PARA MINICARGADORAS | SOLUTIONS POUR CHARGEUSES À DIRECTION À GLISSEMENT



FEATURED PRODUCT EW3200 SERIES

DOUBLE ROW | ADJUSTABLE END OR EXTRUSION MOUNT

ECCO's double row utility bars offer a long, maintenance-free life, low amp draw, and intense white light output. The EW3200 is available in three lengths, each with a choice of two mounting options. Features include combination flood/spot beam patterns, durable aluminum housing, polycarbonate lens and five-year warranty.

Las barras utilitarias de doble fila de ECCO ofrecen una larga vida útil libre de mantenimiento, un bajo consumo de corriente y una intensa salida de luz blanca. El modelo EW3200 está disponible en tres longitudes, cada una con dos opciones de montaje. Las características incluyen una combinación de patrones reflectores o de haz, carcasa duradera de aluminio, lente de policarbonato y cinco años de garantía.

Les barres utilitaires à rangées doubles d'ECCO offrent une longue durée de vie sans entretien, une faible consommation en ampères et un éclairage blanc extrêmement éblouissant. La barre EW3200 est offerte en trois longueurs, chacune avec deux options de montage. Les caractéristiques incluent des motifs de faisceau large/étroit combinés, un boîtier en aluminium et une lentille en polycarbonate et une garantie de cinq ans.

A



7970 SERIES
SINGLE-COLOR LED BEACON
SAE CLASS I
5-YEAR WARRANTY



EB7185 SERIES
DUAL-COLOR LED BEACON
SAE CLASS I
5-YEAR WARRANTY



5580 SERIES REFLEX®
SINGLE-COLOR
SAE CLASS II, 15"
5-YEAR WARRANTY



5550 SERIES REFLEX®
SINGLE- OR DUAL-COLOR
SAE CLASS I, 11"
5-YEAR WARRANTY



7160 SERIES REFLEX®
SINGLE-COLOR LED BEACON
SAE CLASS I
5-YEAR WARRANTY



EB7260 SERIES
MINI POLE MOUNT
SAE CLASS I OR II
5-YEAR WARRANTY



7965 SERIES
SINGLE-COLOR LED BEACON
SAE CLASS I
5-YEAR WARRANTY



7460 SERIES PROFILE™
SINGLE-COLOR LED BEACON
SAE CLASS I OR II
5-YEAR WARRANTY

VEHICLE MOUNTING

7970 SERIES
BRANCH GUARD - #A6070BG
7160 SERIES
BRANCH GUARD - #A6050BG
7965 SERIES
BRANCH GUARD - #A6050BG

B



EW3200 SERIES
DOUBLE ROW, 8-25" MODELS
FLOOD/SPOT COMBO
5-YEAR WARRANTY



EW2110 SERIES
SEVEN 1-WATT LEDS
OPTIONAL DEUTSCH CONNECTOR
5-YEAR WARRANTY



EW2605
NINE 7-WATT LEDS
DEUTSCH CONNECTOR
5-YEAR WARRANTY



EW2530
SIX 10-WATT LEDS
120° FLOOD WORKLIGHT
5-YEAR WARRANTY

C



EW0360 / EW0370
LED INTERIOR LIGHTING
SURFACE MOUNT
5-YEAR WARRANTY



EW0800 SERIES
LED INTERIOR LIGHTING
90° CORNER MOUNT
5-YEAR WARRANTY



EW0202/203 SERIES
LED INTERIOR LIGHTING
HIGH-BOND TAPE / SCREW MOUNT
5-YEAR WARRANTY



EW0100 SERIES
LED STRIP LIGHTING
HIGH-BOND TAPE / SCREW MOUNT
5-YEAR WARRANTY

D



EA9724
MULTI-FREQUENCY™ SMART ALARM™
12-24V, 77-97dB
ECCOLIFE™ WARRANTY



SA951
SMART ALARM™
12-48V, 77-97dB
2-YEAR WARRANTY



ED3701/3702 SERIES
SINGLE-, SPLIT-, DUAL- OR TRI-COLOR
SAE CLASS I
5-YEAR WARRANTY



ED3777 SERIES
SINGLE- OR DUAL-COLOR
SAE CLASS I
5-YEAR WARRANTY

VEHICLE MOUNTING

ED3701/02 BRACKET
90° L BRACKET - #EZ3704LBKT
GRILLE BRACKET - #EZ3704GBKT



ADDITIONAL ACCESSORIES, MODELS, AND YEARS AVAILABLE AT WWW.ECCOESG.COM
Otros accesorios, modelos y años disponibles en www.ecco.esg.com | Accessoires, modèles et années supplémentaires offerts à l'adresse www.ecco.esg.com

EXCAVATOR PRODUCT APPLICATION WORKSHEET

EXCAVADORA FICHA DE SOLICITUD DE PRODUCTOS
EXCAVATRICE FEUILLE DE TRAVAIL D'APPLICATION DE PRODUITS

Sales Rep Name _____ Sales Rep Phone # _____
Agency Name _____ Agency Phone # _____ Date _____



A _____	F _____	K _____
B _____	G _____	L _____
C _____	H _____	M _____
D _____	I _____	N _____
E _____	J _____	O _____

NOTES

GRADER PRODUCT APPLICATION WORKSHEET

MOTONIVELADORA FICHA DE SOLICITUD DE PRODUCTOS
NIVELEUSE FEUILLE DE TRAVAIL D'APPLICATION DE PRODUITS

Sales Rep Name _____ Sales Rep Phone # _____
Agency Name _____ Agency Phone # _____ Date _____



A _____	F _____	K _____
B _____	G _____	L _____
C _____	H _____	M _____
D _____	I _____	N _____
E _____	J _____	O _____

NOTES

BACKHOE PRODUCT APPLICATION WORKSHEET

RETROEXCAVADORA FICHA DE SOLICITUD DE PRODUCTOS
RÉTROCAVEUSE FEUILLE DE TRAVAIL D'APPLICATION DE PRODUITS

Sales Rep Name _____ Sales Rep Phone # _____
Agency Name _____ Agency Phone # _____ Date _____



- | | | |
|---------|---------|---------|
| A _____ | F _____ | K _____ |
| B _____ | G _____ | L _____ |
| C _____ | H _____ | M _____ |
| D _____ | I _____ | N _____ |
| E _____ | J _____ | O _____ |

NOTES

FRONT LOADER PRODUCT APPLICATION WORKSHEET

CARGADOR FRONTAL FICHA DE SOLICITUD DE PRODUCTOS
CHARGEUSE FRONTALE FEUILLE DE TRAVAIL D'APPLICATION DE PRODUITS

Sales Rep Name _____ Sales Rep Phone # _____
Agency Name _____ Agency Phone # _____ Date _____



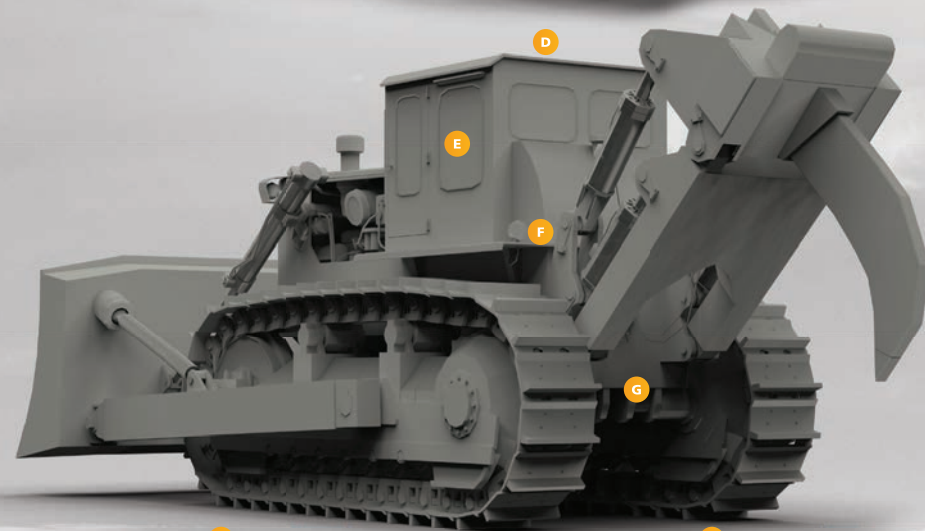
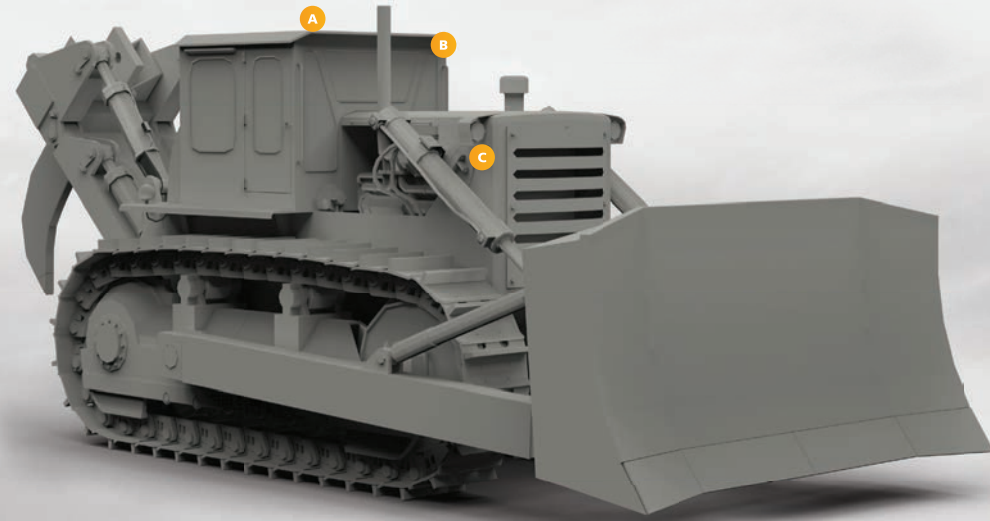
- | | | |
|---------|---------|---------|
| A _____ | F _____ | S _____ |
| B _____ | G _____ | L _____ |
| C _____ | H _____ | M _____ |
| D _____ | I _____ | N _____ |
| E _____ | J _____ | O _____ |

NOTES

BULL DOZER PRODUCT APPLICATION WORKSHEET

TOPADORA FICHA DE SOLICITUD DE PRODUCTOS
BOUTEUR FEUILLE DE TRAVAIL D'APPLICATION DE PRODUITS

Sales Rep Name _____ Sales Rep Phone # _____
Agency Name _____ Agency Phone # _____ Date _____



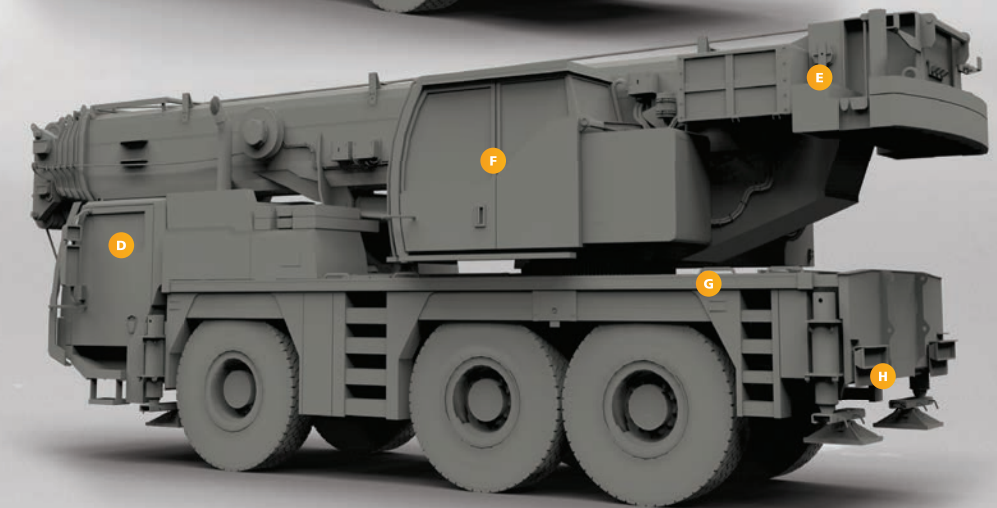
- | | | |
|---|---|---|
| A | F | K |
| B | G | L |
| C | H | M |
| D | I | N |
| E | J | O |

NOTES

CRANE PRODUCT APPLICATION WORKSHEET

GRÚA FICHA DE SOLICITUD DE PRODUCTOS
GRUE FEUILLE DE TRAVAIL D'APPLICATION DE PRODUITS

Sales Rep Name _____ Sales Rep Phone # _____
Agency Name _____ Agency Phone # _____ Date _____



- | | | |
|---|---|---|
| A | F | K |
| B | G | L |
| C | H | M |
| D | I | N |
| E | J | O |

NOTES

DUMP TRUCK PRODUCT APPLICATION WORKSHEET

CAMIÓN DE VOLTEO FICHA DE SOLICITUD DE PRODUCTOS
CAMION À BENNE FEUILLE DE TRAVAIL D'APPLICATION DE PRODUITS

Sales Rep Name _____ Sales Rep Phone # _____
Agency Name _____ Agency Phone # _____ Date _____



- | | | |
|---|---|---|
| A | F | K |
| B | G | L |
| C | H | M |
| D | I | N |
| E | J | O |

NOTES

ROAD ROLLER PRODUCT APPLICATION WORKSHEET

COMPACTADOR FICHA DE SOLICITUD DE PRODUCTOS
ROULEAU COMPRESSEUR FEUILLE DE TRAVAIL D'APPLICATION DE PRODUITS

Sales Rep Name _____ Sales Rep Phone # _____
Agency Name _____ Agency Phone # _____ Date _____



- | | | |
|---|---|---|
| A | F | K |
| B | G | L |
| C | H | M |
| D | I | N |
| E | J | O |

NOTES

CONCRETE TRUCK PRODUCT APPLICATION WORKSHEET

CAMIÓN HORMIGONERO FICHA DE SOLICITUD DE PRODUCTOS
CAMION MALAXEUR FEUILLE DE TRAVAIL D'APPLICATION DE PRODUITS

Sales Rep Name _____ Sales Rep Phone # _____
Agency Name _____ Agency Phone # _____ Date _____



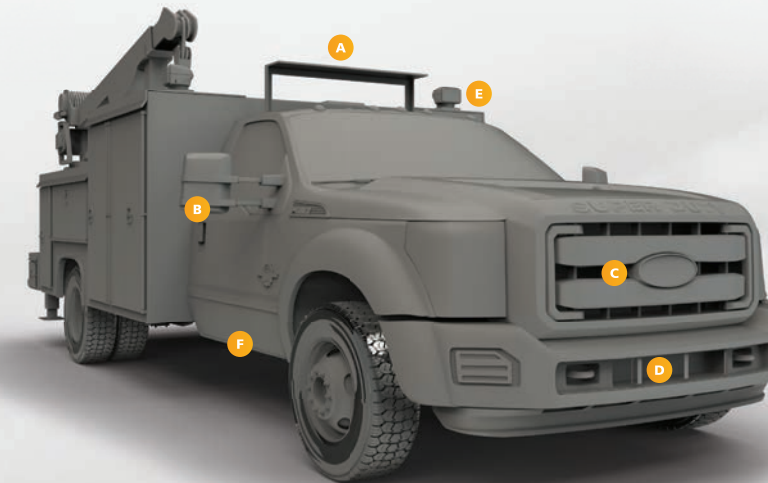
- | | | |
|---|---|---|
| A | F | K |
| B | G | L |
| C | H | M |
| D | I | N |
| E | J | O |

NOTES

SERVICE BODY PICKUP PRODUCT APPLICATION WORKSHEET

CAMIONETA CON CARROCERÍA SERVICE-BODY FICHA DE SOLICITUD DE PRODUCTOS
CAMIONNETTE À CARROSSERIE-ATELIER FEUILLE DE TRAVAIL D'APPLICATION DE PRODUITS

Sales Rep Name _____ Sales Rep Phone # _____
Agency Name _____ Agency Phone # _____ Date _____



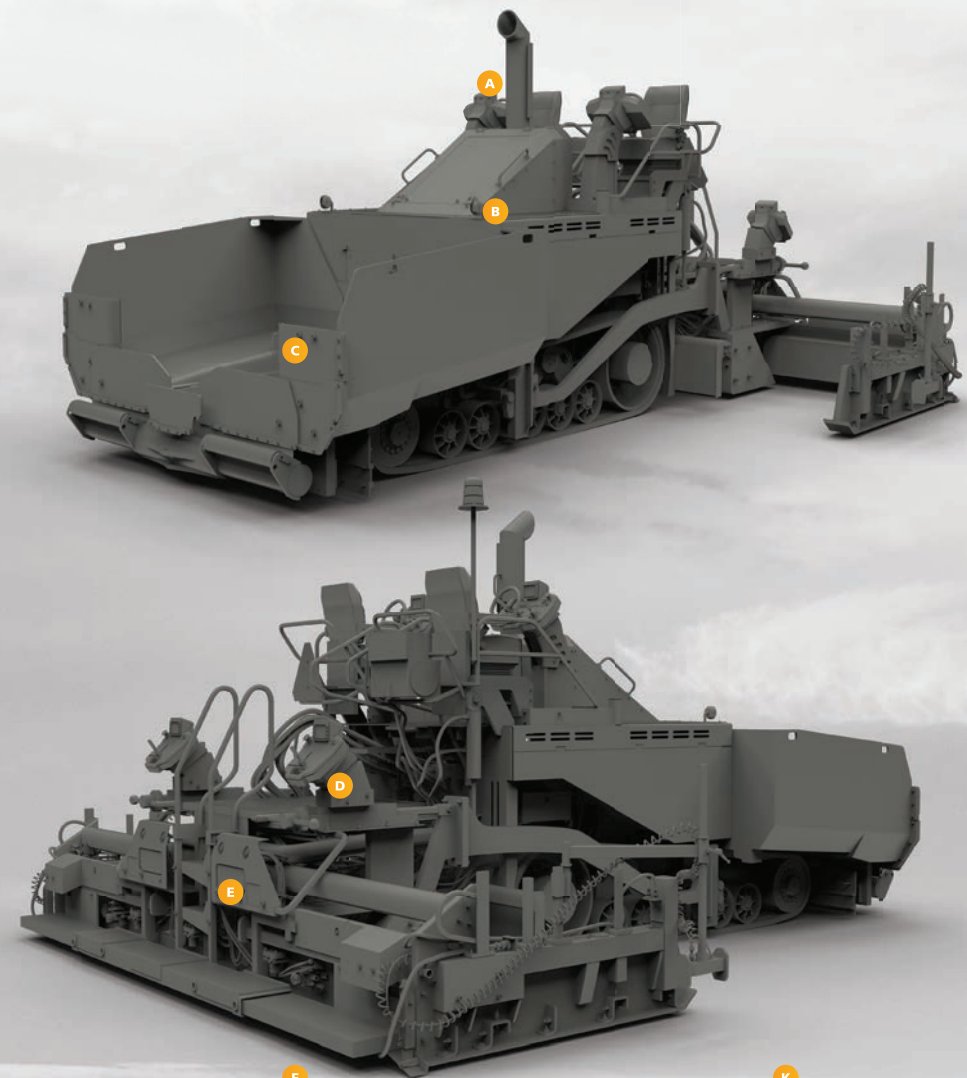
- | | | |
|---|---|---|
| A | F | K |
| B | G | L |
| C | H | M |
| D | I | N |
| E | J | O |

NOTES

HIGHWAY PAVER PRODUCT APPLICATION WORKSHEET

PAVIMENTADORA DE CARRETERAS FICHA DE SOLICITUD DE PRODUCTOS
FINISSEUSE POUR VOIE RAPIDE FEUILLE DE TRAVAIL D'APPLICATION DE PRODUITS

Sales Rep Name _____ Sales Rep Phone # _____
Agency Name _____ Agency Phone # _____ Date _____



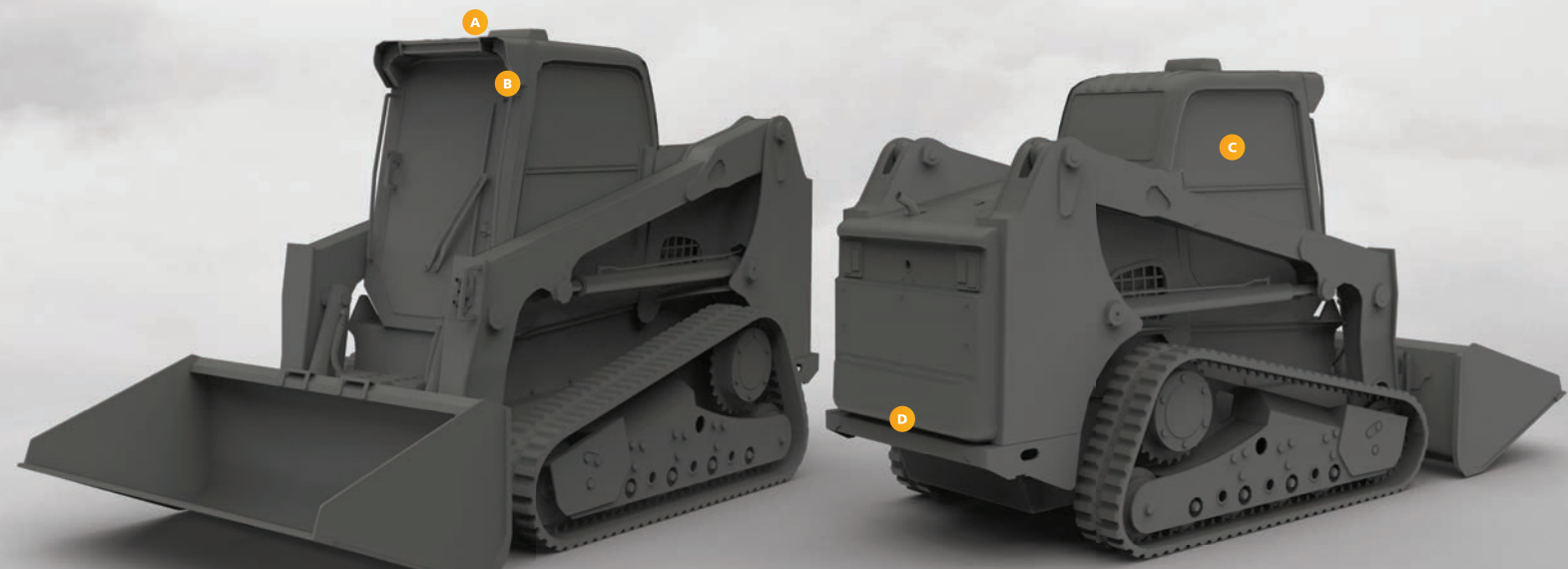
- | | | |
|---|---|---|
| A | F | K |
| B | G | L |
| C | H | M |
| D | I | N |
| E | J | O |

NOTES

SKID STEER PRODUCT APPLICATION WORKSHEET

MINICARGADORA FICHA DE SOLICITUD DE PRODUCTOS
CHARGEUSE À DIRECTION À GLISSEMENT FEUILLE DE TRAVAIL D'APPLICATION DE PRODUITS

Sales Rep Name _____ Sales Rep Phone # _____
Agency Name _____ Agency Phone # _____ Date _____



- | | | |
|---|---|---|
| A | F | K |
| B | G | L |
| C | H | M |
| D | I | N |
| E | J | O |

NOTES





DISTRIBUTED BY



ECCOESG.COM

© 2020 ECCO, INC. ALL RIGHTS RESERVED. ECCONSTRUCTION20
833 WEST DIAMOND STREET, BOISE, ID 83705
800-635-5900 | ORDERS@ECCOGROUP.COM