

# POZ-LOC<sup>®</sup> Slip Base

## SIGN POSTS & SIGN SUPPORTS

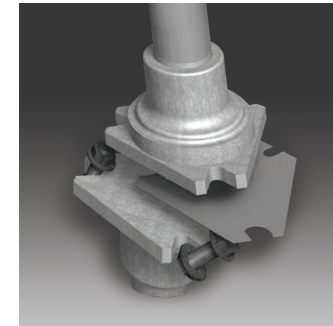
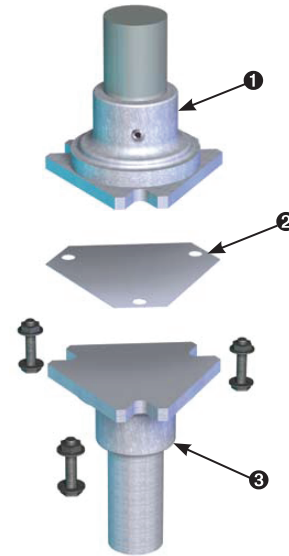


## POZ-LOC® Slip Base

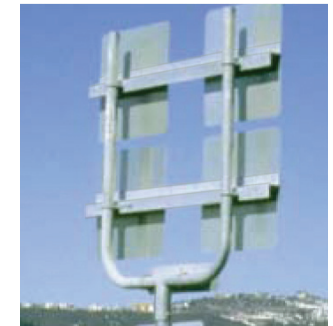
POZ-LOC® Slip Base breakaway signpost system is designed to release on impact from any direction and rotates clear of the impacting vehicle with minimal change in vehicle velocity. The POZ-LOC® Slip Base is tested to NCHRP Report 350 and designed to AASHTO guidelines.

The breakaway feature is designed to help minimize damage to posts. Signposts are potentially reusable after an impact within NCHRP Report 350 crash test standards.\*

A single POZ-LOC® Slip Base stub can be used with the galvanized 2-7/8" BWG 10, NP 40 or Schedule 80 post. Bolt on T-bracket or U-bracket to help provide stability for large signs or multiple sign installations. Use the bolt-down stub for pre-existing concrete.



- ❶ Upper Casting
- ❷ Retainer Plate
- ❸ Ground Stub



### POZ-LOC Post and Socket Assemblies

Post available from 8' to 16' in 1' increments

POZ-LOC Post Size	O.D.	Wall (Nominal)	Weight
2-1/2" BWG 10		0.134" (3.4 mm)	3.92 lb/ft (5.83 kg/m)
2-1/2" NP-40	2.875" (73.0 mm)	0.160" (4.0 mm)	4.80 lb/ft (7.14 kg/m)
2-1/2" Sch 80		0.276" (7.01 mm)	7.66 lb/ft (11.40 kg/m)

### Brackets

The galvanized "T" & "U" sign support brackets are available to help provide stability for large signs or multiple sign installations.

### Bolt-Down Stubs

The galvanized bolt down stub is available for installations involving pre-existing concrete.

DISTRIBUTED BY