

iQ1800 Jumbo

RADAR SPEED SIGNS



THE iQ SERIES OF RADAR SPEED SIGNS

The iQ Series is our full-featured Radar Speed Sign that includes a full-matrix display, speed triggered messages, and beacon outputs, along with traffic data collection.

The large, bright 18" characters of the iQ1800 Jumbo Sign can be seen from up to 1,000 ft (304.8m) away and help increase traffic safety on the most dangerous roads in the country – highways.

Speed can kill. A pedestrian is 82 percent more likely to be fatally injured if hit by a vehicle traveling 40 MPH (64 KPH) vs a vehicle traveling 20 MPH (32 KPH). Speeding drivers are almost three times more likely to be involved in fatal or serious-injury crashes. Radar Speed Signs have been proven, in multiple third-party studies*, to be highly effective at reducing average vehicle speeds and slowing speeding drivers, creating safer roadways and communities.

FEATURES

Full Matrix Display

Full matrix displays allow the vehicle speed to be displayed in conjunction with speed-triggered messages such as "SLOW DOWN" or "TOO FAST."

Traffic Data Collection

Stores up to 9 months of traffic and speed data. TC-Speed Connect™ Data Collection and Reporting Software is included with the sign, providing free local data collection for the life of the sign.

Stealth Mode

The radar can remain active without the sign displaying any message. Speed data will be collected on the controller. This is great for before and after studies to prove the effectiveness of the sign at slowing speeding drivers.

100% MUTCD Compliant

Amber LED's are used to meet the Federal Highway Administration Manual on Uniform Traffic Control Devices (MUTCD). Multi-color LED's and strobes that are not MUTCD compliant are not utilized.

Ruggedized Electronics

Built tougher than other systems on the market. Polycarbonate high-impact, non-glare display cover is vandal resistant. The enclosure is a metal and weather-proof sealed NEMA 3R rated enclosure.

Made in the USA

TraffiCalm® Radar Speed Signs are manufactured in the USA in an ISO 9001:2015 certified facility, meeting and exceeding industry and state testing requirements. TraffiCalm® signs are unmatched in durability, brightness, accuracy and ease of installation and use. Build America/Buy America Compliant.

*Call for speed studies

TRAFFICALM.COM



SPECIFICATIONS

DISPLAY

Full matrix electronic Light Emitting Diode (LED) display

Speed display features 18" (45.7 cm) high electronic numbers, will display MPH or KPH, Minimum 5 MPH (8 KPH) in 1 MPH/1.6 KPH increments, Maximum 99 MPH/159.3 KPH

Speed triggered messages: "SLOW DOWN" or "TOO FAST" in 8" (20.3 cm) high electronic characters, two-line display for text. Highway Gothic font

LEDS: Amber (590 nanometers) in color, 100,000-hour life, 15° viewing angle, AlinGap technology

Brightness: 20,000 candela per square meter, Auto dimming

Legibility distance: 1000 ft (304.8 m)

YOUR SPEED Legend: 8" (20.3 cm) Highway Gothic font

Front face sheeting: 3M™ Diamond Grade™ high visibility prismatic retroreflective sheeting

YOUR SPEED Sign Color: Yellow, Fluorescent Yellow-Green, Fluorescent Orange, or White

RADAR SENSOR

Doppler Radar

K-Band (24.15 GHz), license-free (FCC part 15 compliant)

Radar detection range up to 1000 ft. (304.8 m) depending upon vehicle size, speed of approach, and configuration

CONSTRUCTION

Outside dimensions 48" w x 60" h x 2 7/8" d (121.9 cm x 152.4 cm x 7.3 cm)

Weight: 79 lbs (35.8 kg)

Aluminum metal enclosure, powder coated green

High impact polycarbonate face

NEMA 3R Rated Cabinet

COMMUNICATION

RS-232 and Bluetooth Class 1 or 2 adaptors

(capabilities: V1.0, V1.2, V2.0, V2.1 + Enhanced Data Rate, EDR)

POWER

Solar/Battery kits or AC power supply sold separately

Power requirements: 12VDC, low standby, average day at 8.5 watts, night at 1.5 watts

Voltage requirements: 9VDC-30VDC

ENVIRONMENTAL

-40°F to +165°F operating range (-40°C to +74°C)

WARRANTY

3 year limited warranty + 1 year on batteries

DETAILS

TC-SPEED CONNECT™ CONFIGURATION AND TRAFFIC DATA COLLECTION SOFTWARE

Local configuration, scheduling and data reports

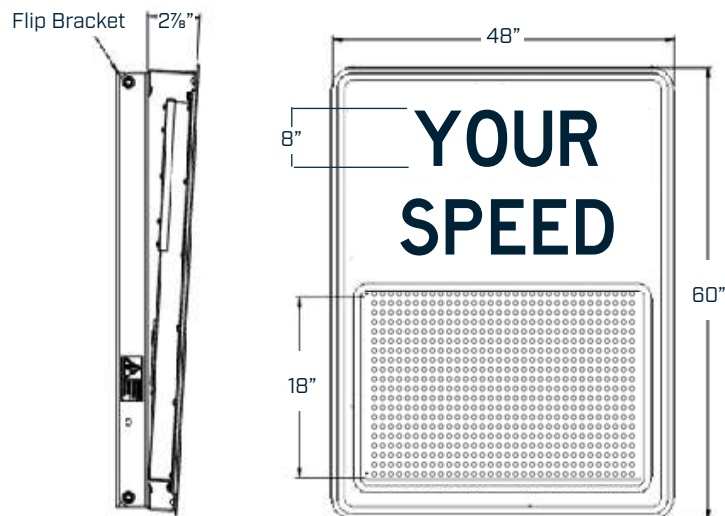
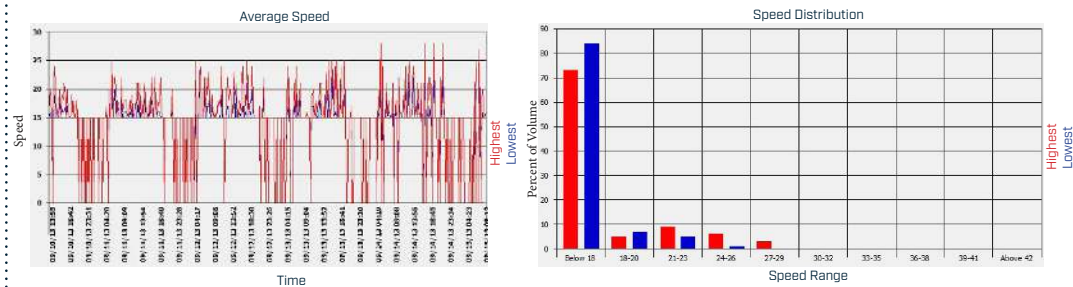
License Free

App for Android and Microsoft Store

System Health Data: battery voltage, internal temperature, ambient light lux, display function status

Speed Data: date stamp, time stamp, vehicle count, minimum speed, maximum speed, 10 speed bins, average speed, 25th percentile speed, 50th percentile speed, 85th percentile speed

Schedule can be programmed up to 1 year in advance



iq1800 Jumbo Full Matrix Radar Speed Sign

Part #	Reflective Sheeting Color
M75-018IE-0001	White*
M75-018IE-0002	Fluorescent Yellow-Green
M75-018IE-0003	Fluorescent Orange
M75-018IE-0004	Yellow

*Non MUTCD Compliant

iQ1800

RADAR SPEED SIGNS



THE IQ SERIES OF RADAR SPEED SIGNS

The iQ Series is our full-featured Radar Speed Sign that includes a full-matrix display, speed triggered messages, and beacon outputs, along with traffic data collection.

The iQ1800 features bright 18" [45.7 cm] characters that can be seen from up to 1,000 ft [304.8 m] away and help increase driver awareness of their speed on highways.

Speed can kill. A pedestrian is 82 percent more likely to be fatally injured if hit by a vehicle traveling 40 MPH [64 KPH] vs a vehicle traveling 20 MPH [32 KPH]. Speeding drivers are almost three times more likely to be involved in fatal or serious-injury crashes. Radar Speed Signs have been proven, in multiple third-party studies*, to be highly effective at reducing average vehicle speeds and slowing speeding drivers, creating safer roadways and communities.

FEATURES

Full Matrix Display

Full matrix displays allow the vehicle speed to be displayed in conjunction with speed-triggered messages such as "SLOW DOWN" or "TOO FAST."

Traffic Data Collection

Stores up to 9 months of traffic and speed data. TC-Speed Connect™ Data Collection and Reporting Software is included with the sign, providing free local data collection for the life of the sign.

Stealth Mode

The radar can remain active without the sign displaying any message. Speed data will be collected on the controller. This is great for before and after studies to prove the effectiveness of the sign at slowing speeding drivers.

100% MUTCD Compliant

Amber LED's are used to meet the Federal Highway Administration Manual on Uniform Traffic Control Devices (MUTCD). Multi-color LED's and strobes that are not MUTCD compliant are not utilized.

Ruggedized Electronics

Built tougher than other systems on the market. Polycarbonate high-impact, non-glare display cover is vandal resistant. The enclosure is a metal and weather-proof sealed NEMA 3R rated enclosure.

Made in the USA

TrafficCalm® Radar Speed Signs are manufactured in the USA in an ISO 9001:2015 certified facility, meeting and exceeding industry and state testing requirements. TrafficCalm® signs are unmatched in durability, brightness, accuracy and ease of installation and use. Build America/Buy America Compliant.

*Call for speed studies

TRAFFICCALM.COM



SPECIFICATIONS

DISPLAY

Full matrix electronic Light Emitting Diode (LED) display

Speed display features 18" (45.7 cm) high electronic numbers, will display MPH or KPH, Minimum 5 MPH (8 KPH) in 1 MPH/1.6 KPH increments, Maximum 99 MPH/159.3 KPH

Speed triggered messages: "SLOW DOWN" or "TOO FAST" in 8" (20.3 cm) high electronic characters, two-line display for text. Highway Gothic font

LEDs: Amber (590 nanometers) in color, 100,000-hour life, 15° viewing angle, AlinGap technology

Brightness: 20,000 candela per square meter, Auto dimming

Legibility distance: 1,000 ft (304.8 m)

YOUR SPEED Legend: 6" (15.2 cm) Highway Gothic font

Front face sheeting: 3M™ Diamond Grade™ high visibility prismatic retroreflective sheeting

YOUR SPEED Sign Color: Yellow, Fluorescent Yellow-Green, Fluorescent Orange, or White

RADAR SENSOR

Doppler Radar

K-Band (24.15 GHz), license-free (FCC part 15 compliant)

Radar detection range up to 1,000 ft (304.8 m) depending upon vehicle size, speed of approach, and configuration

CONSTRUCTION

Outside dimensions 36" w x 48" h x 2 7/8" d (91.44 cm x 121.9 cm x 7.3 cm)

Weight: 59 lbs (26.8 kg)

Aluminum metal enclosure, powder coated green

High impact polycarbonate face

NEMA 3R Rated Cabinet

COMMUNICATION

RS-232 and Bluetooth Class 1 or 2 adaptors (capabilities: V1.0, V1.2, V2.0, V2.1 + Enhanced Data Rate, EDR)

POWER

Solar/Battery kits or AC power supply sold separately

Power requirements: 12VDC, low standby, average day at 8.5 watts, night at 1.5 watts

Voltage requirements: 9VDC-30VDC

ENVIRONMENTAL

-40°F to +165°F operating range (-40°C to +74°C)

WARRANTY

3 year limited warranty + 1 year on batteries

DETAILS

TC-SPEED CONNECT™ CONFIGURATION AND TRAFFIC DATA COLLECTION SOFTWARE

Local configuration, scheduling and data reports

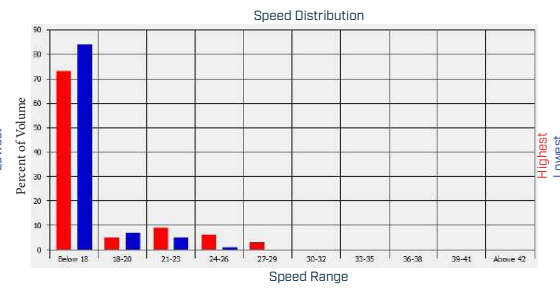
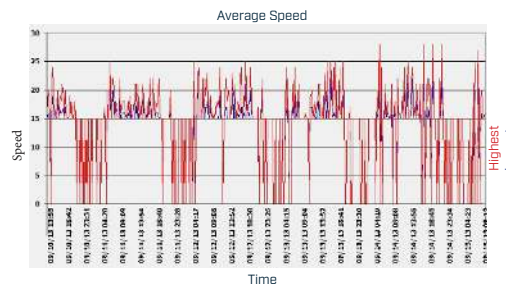
License Free

App for Android and Microsoft Store

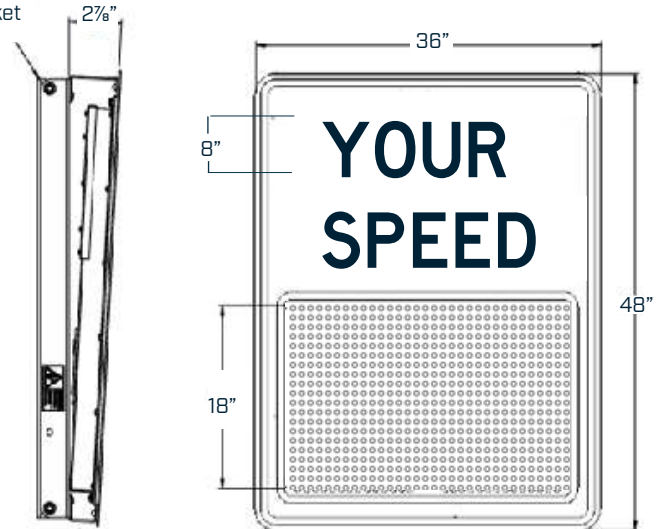
System Health Data: battery voltage, internal temperature, ambient light lux, display function status

Speed Data: date stamp, time stamp, vehicle count, minimum speed, maximum speed, 10 speed bins, average speed, 25th percentile speed, 50th percentile speed, 85th percentile speed

Programmable up to 1 year schedule in advance



Flip Bracket



iQ1800 Full Matrix Radar Speed Sign

Part #	Reflective Sheeting Color
M75-18DFB-0001	White*
M75-18DFB-0002	Fluorescent Yellow-Green
M75-18DFB-0003	Fluorescent Orange
M75-18DFB-0004	Yellow

*Non MUTCD Compliant

9" Value

RADAR SPEED SIGNS



THE VALUE SERIES OF RADAR SPEED SIGNS

The TrafficCalm® Value series of Radar Speed Signs offer an economical yet rugged solution to help reduce vehicle speeds and increase road and pedestrian safety. They are designed for situations where drivers need to be alerted to their current speed, but the additional data collection and speed-triggered warning messages are not needed.

The Value Series features bright 9" (22.9 cm) LED characters that can be legible from up to 450 ft (137.2 m) away and help increase awareness of their speed on neighborhood streets where so many crashes occur every year.

Speed can kill. A pedestrian is 82 percent more likely to be fatally injured if hit by a vehicle traveling 40 MPH (64 kph) compared to a vehicle traveling 20 MPH (32 kph). Speeding drivers are almost three times more likely to be involved in fatal or serious-injury crashes. Radar Speed Signs have been proven by multiple third-party studies*, to be highly effective at reducing average vehicle speeds and slowing speeding drivers, creating safer roadways and communities.

FEATURES

Fixed Matrix Display

The seven-segment display is able to display up to two digits from 1 to 99 with super-bright LEDs.

100% MUTCD Compliant

Amber LEDs are used to meet the Federal Highway Administration's Manual on Uniform Traffic Control Devices (MUTCD). Multi-color LEDs and strobes that are non-MUTCD compliant are not utilized.

Ruggedized Electronics

Built tougher than other systems on the market. Polycarbonate's high-impact, non-glare display cover is vandal-resistant. The enclosure is a metal, weather-proof, sealed NEMA 3R-rated enclosure.

Made in the USA

TrafficCalm Systems are manufactured in the USA in an ISO 9001:2015 certified facility, meeting and exceeding industry and state testing requirements. TrafficCalm signs are unmatched in durability, brightness, accuracy, and ease of installation and use. Build America/Buy America Compliant.

*Call for speed studies

TRAFFICALM.COM



SPECIFICATIONS

DISPLAY

Electronic Light Emitting Diode (LED) display

Speed display features 9" (22.9 cm) high electronic numbers. Will display MPH or KPH, Minimum 5 MPH (8 KPH) in 1 MPH/1.6 KPH increments, Maximum 99 MPH/159.3 KPH

YOUR SPEED Legend: 3" (7.6 cm) Highway Gothic font

LEDs: Amber (590 nanometers) in color, 100,000-hour life, 30° viewing angle, AllnGaP technology

Brightness: 20,000 candela per square meter, Auto dimming

Legibility distance: 450 ft (137.2 m)

Front face sheeting: 3M™ Diamond Grade™ high visibility prismatic retroreflective sheeting

YOUR SPEED Sign Color: Yellow, Fluorescent Yellow-Green, Fluorescent Orange or White

RADAR SENSOR

K-Band (24.15 GHz), license-free (FCC part 15 compliant)

Range: Up to 1000 ft (304.8 m)

CONSTRUCTION

Outside dimensions 18" w x 24" h x 1 7/8" d (45.7 cm x 61 cm x 4.8 cm)

Weight: 20 lbs (9.07 kg)

Aluminum metal enclosure, powder coated green

High impact polycarbonate face

NEMA 3R Rated Cabinet

Includes quick disconnect pole/post bracket

COMMUNICATION

Infrared Wireless Remote

POWER

Power requirements: 12VDC, low standby, average day at 8.5 watts, night at 1.5 watts

Voltage requirements: 9VDC-30VDC, 12VDC Nominal (Battery protection at 11.5VDC and 10.8VDC, startup at 12.3VDC)

Solar Package comes with 20W or 60W Polycrystalline panel, rack, and integrated TrafficCalm® Smart Solar Charger

Integrated 20 Ah NiMH battery pack

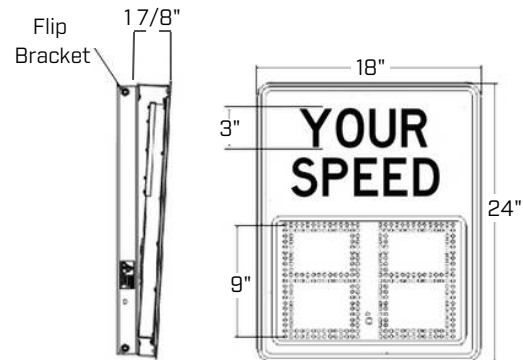
ENVIRONMENTAL

-40°F to +165°F operating range [-40°C to +74°C]

WARRANTY

3-year limited warranty, 1-year on batteries

Unlimited tech support from US based factory technicians



9" Value Radar Speed Sign with 20W Solar Panel

Part #	Reflective Sheeting Color
M75-009SE-0001	White*
M75-009SE-0002	Fluorescent Yellow-Green
M75-009SE-0003	Fluorescent Orange
M75-009SE-0004	Yellow

*Non MUTCD Compliant

9" Value Radar Speed Sign with 60W Solar Panel

Part #	Reflective Sheeting Color
M75-009SE-0021	White*
M75-009SE-0022	Fluorescent Yellow-Green
M75-009SE-0023	Fluorescent Orange
M75-009SE-0024	Yellow

*Non MUTCD Compliant

9" Value Radar Speed Sign with AC Power Supply

Part #	Reflective Sheeting Color
M75-009SE-0061	White*
M75-009SE-0062	Fluorescent Yellow-Green
M75-009SE-0063	Fluorescent Orange
M75-009SE-0064	Yellow

*Non MUTCD Compliant

iQ900 Portable

RADAR SPEED SIGNS



THE iQ SERIES OF RADAR SPEED SIGNS

The iQ Series is our full-featured Radar Speed Sign that includes a full-matrix display, speed-triggered messages, and traffic data collection.

The iQ900 features bright 9" (22.9 cm) characters that can be seen from up to 450 ft (137.2 m) away and help increase driver awareness of their speed on neighborhood streets. The 9" Portable sign offers multi-site versatility. Temporarily deploy the lightweight sign to locations of your choice with the ease of our quick disconnect mounting system.

Speed can kill. A pedestrian is 82 percent more likely to be fatally injured if hit by a vehicle traveling 40 MPH (64 KPH) compared to a vehicle traveling 20 MPH (32 KPH). Speeding drivers are almost three times more likely to be involved in fatal or serious-injury crashes. Radar Speed Signs have been proven, in multiple third-party studies*, to be highly effective at reducing average vehicle speeds and slowing speeding drivers, creating safer roadways and communities.

FEATURES

Full Matrix Display

Full matrix displays allow the vehicle speed to be displayed in conjunction with speed-triggered messages such as "SLOW DOWN" or "TOO FAST."

Traffic Data Collection

Stores up to nine months of traffic and speed data. TC-Speed Connect™ Data Collection and Reporting Software is included with the sign, providing free local data collection for the life of the sign.

Stealth Mode

The radar can remain active without the sign displaying any message. Speed data will be collected on the controller. This is great for before and after studies to prove the effectiveness of the sign at slowing speeding drivers.

100% MUTCD Compliant

Amber LEDs are used to meet the Federal Highway Administration's Manual on Uniform Traffic Control Devices (MUTCD). Multi-color LEDs and strobes that are non-MUTCD compliant are not utilized.

Ruggedized Electronics

Built tougher than other systems on the market. Polycarbonate high-impact, non-glare display cover is vandal-resistant. The enclosure is a metal, weather-proof, sealed NEMA 3R-rated enclosure.

Made in the USA

TrafficCalm Systems are manufactured in the USA in an ISO 9001:2015 certified facility, meeting and exceeding industry and state testing requirements. TrafficCalm signs are unmatched in durability, brightness, accuracy, and ease of installation and use. Build America/Buy America Compliant.

**Call for speed studies*

TRAFFICALM.COM



SPECIFICATIONS

DISPLAY

Full matrix electronic Light Emitting Diode (LED) display

Speed display features 9" [22.9 cm] high electronic numbers. Will display MPH or KPH, Minimum 5 MPH (8 KPH) in 1 MPH/1.6 KPH increments, Maximum 99 MPH/159.3 KPH

Speed triggered messages: "SLOW DOWN" or "TOO FAST" in 3" [7.6 cm] high electronic characters, two-line display for text Highway Gothic font

LEDs: Amber (590 nanometers) in color, 100,000-hour life, 30° viewing angle, AlInGaP technology

Brightness: 20,000 candela per square meter, Auto dimming

Legibility distance: 450 ft (137.2 m)

YOUR SPEED Legend: 3" h [7.6 cm] Highway Gothic font

Front face sheeting: 3M™ Diamond Grade™ high visibility prismatic retroreflective sheeting

YOUR SPEED Sign Color: Yellow, Fluorescent Yellow-Green, Fluorescent Orange or White

RADAR SENSOR

Doppler Radar

K-Band [24.15 GHz], license-free (FCC part 15 compliant)

Radar detection range up to 1000 ft. (304.8 m) depending upon vehicle size, speed of approach, and configuration

CONSTRUCTION

Outside dimensions 18" w x 24" h x 1 7/8" d [45.7 cm x 61 cm x 4.8 cm]

Weight: 29 lbs. [13.2 kg]

Aluminum metal enclosure, powder coated green

High impact polycarbonate face

NEMA 3R Rated Cabinet

Includes quick disconnect pole/post bracket.

COMMUNICATION

RS-232 and Bluetooth Class 1 or 2 adaptors [capabilities; V1.0, V1.2, V2.0, V2.1,+ Enhanced Data Rate, EDR]

POWER

Power requirements: 12VDC, low standby, average day at 8.5 watts, night at 1.5 watts

Voltage requirements: 9VDC-30VDC

Integrated 20 Ah NiMH battery pack

ENVIRONMENTAL

-40°F to +165°F operating range [-40°C to +74°C]

WARRANTY

3-year limited warranty, 1-year on batteries

Unlimited tech support from US based factory technicians

DETAILS

TC-SPEED CONNECT™ CONFIGURATION AND TRAFFIC DATA COLLECTION SOFTWARE

Local configuration, scheduling and data reports

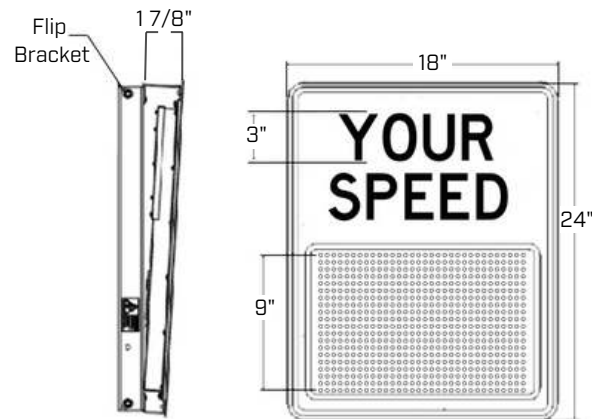
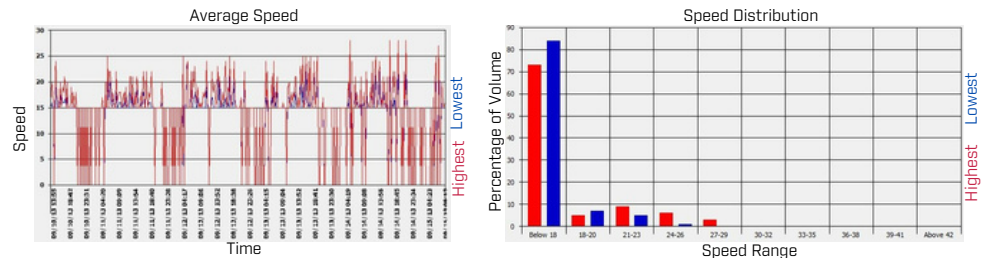
License Free

App for Android and Microsoft Store

System Health Data: battery voltage, internal temperature, ambient light lux, display function status

Speed Data: date stamp, time stamp, vehicle count, minimum speed, maximum speed, 10 speed bins, average speed, 25th percentile speed, 50th percentile speed, 85th percentile speed

Schedule can be programmed up to 1year in advance



iq900 Portable Sign w/ 20Ah Battery w/ Key

Part #	Reflective Sheeting Color
M75-91DFB-PK01	White*
M75-91DFB-PK02	Fluorescent Yellow-Green
M75-91DFB-PK03	Fluorescent Orange
M75-91DFB-PK04	Yellow

*Non MUTCD Compliant

iQ900

RADAR SPEED SIGNS



THE IQ SERIES OF RADAR SPEED SIGNS

The iQ Series is our full-featured Radar Speed Sign that includes a full-matrix display, speed-triggered messages, and beacon outputs, along with traffic data collection.

The iQ900 features bright 9" (22.9 cm) characters that can be seen from up to 450 ft (137.2 m) away and help increase driver awareness of their speed on neighborhood streets.

Speed can kill. A pedestrian is 82 percent more likely to be fatally injured if hit by a vehicle traveling 40 MPH (64 KPH) compared to a vehicle traveling 20 MPH (32 KPH). Speeding drivers are almost three times more likely to be involved in fatal or serious-injury crashes. Radar Speed Signs have been proven, in multiple third-party studies*, to be highly effective at reducing average vehicle speeds and slowing speeding drivers, creating safer roadways and communities.

FEATURES

Full Matrix Display

Full matrix displays allow the vehicle speed to be displayed in conjunction with speed-triggered messages such as "SLOW DOWN" or "TOO FAST."

Traffic Data Collection

Stores up to nine months of traffic and speed data. TC-Speed Connect™ Data Collection and Reporting Software is included with the sign, providing free local data collection for the life of the sign.

Stealth Mode

The radar can remain active without the sign displaying any message. Speed data will be collected on the controller. This is great for before and after studies to prove the effectiveness of the sign at slowing speeding drivers.

100% MUTCD Compliant

Amber LEDs are used to meet the Federal Highway Administration's Manual on Uniform Traffic Control Devices (MUTCD). Multi-color LEDs and strobes that are non-MUTCD compliant are not utilized.

Ruggedized Electronics

Built tougher than other systems on the market. Polycarbonate high-impact, non-glare display cover is vandal-resistant. The enclosure is a metal, weather-proof, sealed NEMA 3R-rated enclosure.

Made in the USA

TraffiCalm Systems are manufactured in the USA in an ISO 9001:2015 certified facility, meeting and exceeding industry and state testing requirements. TraffiCalm signs are unmatched in durability, brightness, accuracy, and ease of installation and use. Build America/Buy America Compliant.

**Call for speed studies*

TRAFFICALM.COM



SPECIFICATIONS

DISPLAY

Full matrix electronic Light Emitting Diode (LED) display

Speed display features 9" (22.9 cm) high electronic numbers. Will display MPH or KPH, Minimum 5 MPH (8 KPH) in 1 MPH/1.6 KPH increments, Maximum 99 MPH/159.3 KPH

Speed triggered messages: "SLOW DOWN" or "TOO FAST" in 3" (7.6 cm) high electronic characters, two-line display for text Highway Gothic font

LEDs: Amber (590 nanometers) in color, 100,000-hour life, 30° viewing angle, AlInGaP technology

Brightness: 20,000 candela per square meter, Auto dimming

Legibility distance: 450 ft (137.2 m)

YOUR SPEED Legend: 3"h (7.6 cm) Highway Gothic font

Front face sheeting: 3M™ Diamond Grade™ high visibility prismatic retroreflective sheeting

YOUR SPEED Sign Color: Yellow, Fluorescent Yellow-Green, Fluorescent Orange or White

RADAR SENSOR

Doppler Radar

K-Band (24.15 GHz), license-free (FCC part 15 compliant)

Radar detection range up to 1000 ft. (304.8 m) depending upon vehicle size, speed of approach, and configuration

CONSTRUCTION

Outside dimensions 18" w x 24" h x 1 7/8" d (45.7 cm x 61 cm x 4.8 cm)

Weight: 10 lbs (4.5 kg)

Aluminum metal enclosure, powder coated green

High impact polycarbonate face

NEMA 3R Rated Cabinet

Includes bracket for mounting to a post/pole (Only 2 bolts required to remove from pole)

COMMUNICATION

RS-232 and Bluetooth Class 1 or 2 adaptors (capabilities; V1.0, V1.2, V2.0, V2.1,+ Enhanced Data Rate, EDR)

POWER

Solar/Battery kits or AC power supply sold separately

Power requirements: 12VDC, low standby, average day at 8.5 watts, night at 1.5 watts

Voltage requirements: 9VDC-30VDC

ENVIRONMENTAL

-40°F to +165°F operating range (-40°C to +74°C)

WARRANTY

3-year limited warranty, 1-year on batteries

Unlimited tech support from US based factory technicians

DETAILS

TC-SPEED CONNECT™ CONFIGURATION AND TRAFFIC DATA COLLECTION SOFTWARE

Local configuration, scheduling and data reports

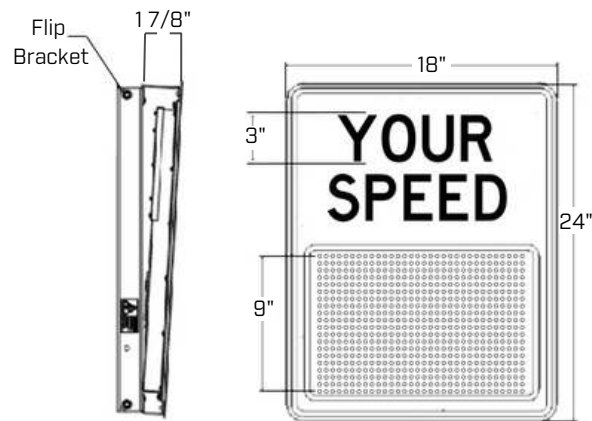
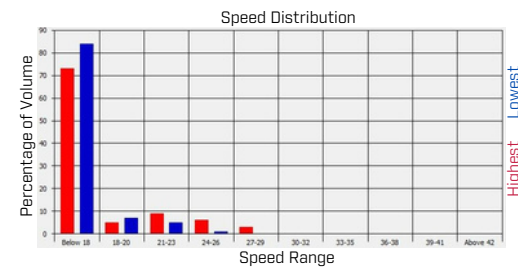
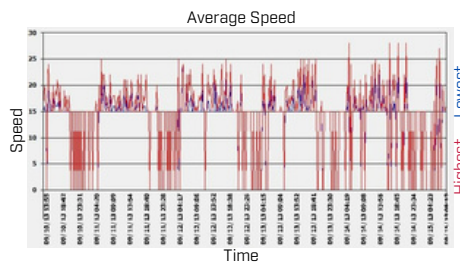
License Free

App for Android and Microsoft Store

System Health Data: battery voltage, internal temperature, ambient light lux, display function status

Speed Data: date stamp, time stamp, vehicle count, minimum speed, maximum speed, 10 speed bins, average speed, 25th percentile speed, 50th percentile speed, 85th percentile speed

Schedule can be programmed up to 1 year in advance



iQ900 Full-Matrix Sign

Part #	Reflective Sheeting Color
M75-91DFB-0001	White*
M75-91DFB-0002	Fluorescent Yellow-Green
M75-91DFB-0003	Fluorescent Orange
M75-91DFB-0004	Yellow

*Non MUTCD Compliant

iQ1200 Portable

RADAR SPEED SIGNS



THE IQ SERIES OF RADAR SPEED SIGNS

The iQ Series is our full-featured Radar Speed Sign that includes a full-matrix display, speed-triggered messages, and traffic data collection.

The iQ1200 features bright 12" (30.5 cm) characters that can be seen from up to 600 ft (182.9 m) away and help increase driver awareness of their speed on neighborhood streets. The 12" Portable sign offers multi-site versatility. Temporarily deploy the lightweight sign at locations of your choice with the ease of our quick-disconnect mounting system.

Speed can kill. A pedestrian is 82 percent more likely to be fatally injured if hit by a vehicle traveling 40 MPH (64 KPH) compared to a vehicle traveling 20 MPH (32 KPH). Speeding drivers are almost three times more likely to be involved in fatal or serious-injury crashes. Radar Speed Signs have been proven, in multiple third-party studies* to be highly effective at reducing average vehicle speeds and slowing speeding drivers, creating safer roadways and communities.

FEATURES

Full Matrix Display

Full matrix displays allow the vehicle speed to be displayed in conjunction with speed-triggered messages such as "SLOW DOWN" or "TOO FAST."

Traffic Data Collection

Stores up to nine months of traffic and speed data. TC-Speed Connect™ Data Collection and Reporting Software is included with the sign, providing free local data collection for the life of the sign.

Stealth Mode

The radar can remain active without the sign displaying any message. Speed data will be collected on the controller. This is great for before and after studies to prove the effectiveness of the sign at slowing speeding drivers.

100% MUTCD Compliant

Amber LEDs are used to meet the Federal Highway Administration's Manual on Uniform Traffic Control Devices (MUTCD). Multi-color LEDs and strobes that are non-MUTCD compliant are not utilized.

Ruggedized Electronics

Built tougher than other systems on the market. Polycarbonate high-impact, non-glare display cover is vandal-resistant. The enclosure is a metal, weather-proof, sealed NEMA 3R-rated enclosure.

Made in the USA

TrafficCalm Systems are manufactured in the USA in an ISO 9001:2015 certified facility, meeting and exceeding industry and state testing requirements. TrafficCalm signs are unmatched in durability, brightness, accuracy, and ease of installation and use. Build America/Buy America Compliant.

**Call for speed studies*

TRAFFICALM.COM



SPECIFICATIONS

DISPLAY

Full matrix electronic Light Emitting Diode (LED) display
Speed display features 12" (30.5 cm) high electronic numbers. Will display MPH or KPH, Minimum 5 MPH (8 KPH) in 1 MPH/1.6 KPH increments, Maximum 99 MPH/159.3 KPH

Speed triggered messages: "SLOW DOWN" or "TOO FAST" in 5" (12.7 cm) high electronic characters, two-line display for text. Highway Gothic font

LEDs: Amber (590 nanometers) in color, 100,000-hour life, 30° viewing angle, AllnGaP technology

Brightness: 20,000 candela per square meter, Auto dimming

Legibility distance: 600 feet (182.9 meters)

YOUR SPEED Legend: 4" (10.2 cm) Highway Gothic font

Front face sheeting: 3M™ Diamond Grade™ high visibility prismatic retroreflective sheeting

YOUR SPEED Sign Color: Yellow, Fluorescent Yellow-Green, Fluorescent Orange or White

RADAR SENSOR

Doppler Radar

K-Band (24.15 GHz), license-free (FCC part 15 compliant)

Radar detection range up to 1000 ft. (304.8 m) depending upon vehicle size, speed of approach, and configuration

CONSTRUCTION

Outside dimensions 24" w x 30" h x 2 1/4" d (61 cm x 76.2 cm x 5.7 cm)

Weight: 39 lbs (17.7 kg)

Aluminum metal enclosure, powder coated green

High impact polycarbonate face

NEMA 3R Rated Cabinet

Includes quick disconnect pole/post bracket.

COMMUNICATION

RS-232 and Bluetooth Class 1 or 2 adaptors (capabilities; V1.0, V1.2, V2.0, V2.1,+ Enhanced Data Rate, EDR)

POWER

Power requirements: 12VDC, low standby, average day at 8.5 watts, night at 1.5 watts

Voltage requirements: 9VDC-30VDC

Integrated 30 Ah NiMH battery pack

ENVIRONMENTAL

-40°F to +165°F operating range (-40°C to +74°C)

WARRANTY

3-year limited warranty, 1-year on batteries

Unlimited tech support from US based factory technicians

DETAILS

TC-SPEED CONNECT™ CONFIGURATION AND TRAFFIC DATA COLLECTION SOFTWARE

Local configuration, scheduling and data reports

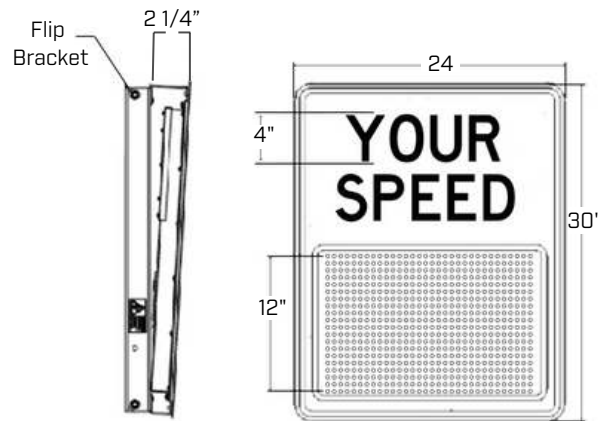
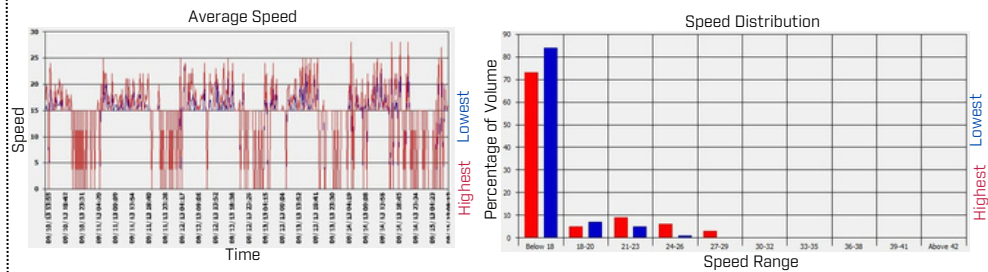
License Free

App for Android and Microsoft Store

System Health Data: battery voltage, internal temperature, ambient light lux, display function status

Speed Data: date stamp, time stamp, vehicle count, minimum speed, maximum speed, 10 speed bins, average speed, 25th percentile speed, 50th percentile speed, 85th percentile speed

Schedule can be programmed up to 1 year in advance



iq1200 Portable Sign w/ 30Ah Battery w/ Key

Part #	Reflective Sheeting Color
M75-12DFB-PK01	White*
M75-12DFB-PK02	Fluorescent Yellow-Green
M75-12DFB-PK03	Fluorescent Orange
M75-12DFB-PK04	Yellow

*Non MUTCD Compliant

iQ1200

RADAR SPEED SIGNS



THE IQ SERIES OF RADAR SPEED SIGNS

The iQ Series is our full-featured Radar Speed Sign that includes a full-matrix display, speed-triggered messages, and beacon outputs, along with traffic data collection.

The iQ1200 features bright 12" (30.5 cm) characters that can be seen from up to 600 ft (182.9 m) away and help increase driver awareness of their speed on neighborhood streets.

Speed can kill. A pedestrian is 82 percent more likely to be fatally injured if hit by a vehicle traveling 40 MPH (64 KPH) compared to a vehicle traveling 20 MPH (32 KPH). Speeding drivers are almost three times more likely to be involved in fatal or serious-injury crashes. Radar Speed Signs have been proven, in multiple third-party studies*, to be highly effective at reducing average vehicle speeds and slowing speeding drivers, creating safer roadways and communities.

FEATURES

Full Matrix Display

Full matrix displays allow the vehicle speed to be displayed in conjunction with speed-triggered messages such as "SLOW DOWN" or "TOO FAST."

Traffic Data Collection

Stores up to nine months of traffic and speed data. TC-Speed Connect™ Data Collection and Reporting Software is included with the sign, providing free local data collection for the life of the sign.

Stealth Mode

The radar can remain active without the sign displaying any message. Speed data will be collected on the controller. This is great for before and after studies to prove the effectiveness of the sign at slowing speeding drivers.

100% MUTCD Compliant

Amber LEDs are used to meet the Federal Highway Administration's Manual on Uniform Traffic Control Devices (MUTCD). Multi-color LEDs and strobes that are non-MUTCD compliant are not utilized.

Ruggedized Electronics

Built tougher than other systems on the market. Polycarbonate high-impact, non-glare display cover is vandal-resistant. The enclosure is a metal, weather-proof, sealed NEMA 3R-rated enclosure.

Made in the USA

TrafficCalm Systems are manufactured in the USA in an ISO 9001:2015 certified facility, meeting and exceeding industry and state testing requirements. TrafficCalm signs are unmatched in durability, brightness, accuracy, and ease of installation and use. Build America/Buy America Compliant.

**Call for speed studies*

TRAFFICALM.COM



SPECIFICATIONS

DISPLAY

Full matrix electronic Light Emitting Diode (LED) display

Speed display features 12" (30.5 cm) high electronic numbers. Will display MPH or KPH, Minimum 5 MPH (8 KPH) in 1 MPH/1.6 KPH increments, Maximum 99 MPH/159.3 KPH

Speed triggered messages: "SLOW DOWN" or "TOO FAST" in 5" (12.7cm) high electronic characters, two-line display for text Highway Gothic font

LEDs: Amber (590 nanometers) in color, 100,000-hour life, 30° viewing angle, AllnGaP technology

Brightness: 20,000 candela per square meter, Auto dimming

Legibility distance: 600 ft (182.9 m)

YOUR SPEED Legend: 4" h (10.2 cm) Highway Gothic font

Front face sheeting: 3M™ Diamond Grade™ high visibility prismatic retroreflective sheeting

YOUR SPEED Sign Color: Yellow, Fluorescent Yellow-Green, Fluorescent Orange or White

RADAR SENSOR

Doppler Radar

K-Band (24.15 GHz), license-free (FCC part 15 compliant)

Radar detection range up to 1000 ft. (304.8 m) depending upon vehicle size, speed of approach, and configuration

CONSTRUCTION

Outside dimensions 24" w x 30" h x 1 7/8" d (61 cm x 76.2 cm x 4.8 cm)

Weight: 24 lbs (10.8 kg)

Aluminum metal enclosure, powder coated green

High impact polycarbonate face

NEMA 3R Rated Cabinet

Includes quick disconnect pole/post bracket

COMMUNICATION

RS-232 and Bluetooth Class 1 or 2 adaptors (capabilities; V1.0, V1.2, V2.0, V2.1,+ Enhanced Data Rate, EDR)

POWER

Solar/Battery kits or AC power supply sold separately

Power requirements: 12VDC, low standby, average day at 8.5 watts, night at 1.5 watts

Voltage requirements: 9VDC-30VDC

ENVIRONMENTAL

-40°F to +165°F operating range (-40°C to +74°C)

WARRANTY

3-year limited warranty, 1-year on batteries

Unlimited tech support from US based factory technicians

DETAILS

TC-SPEED CONNECT™ CONFIGURATION AND TRAFFIC DATA COLLECTION SOFTWARE

Local configuration, scheduling and data reports

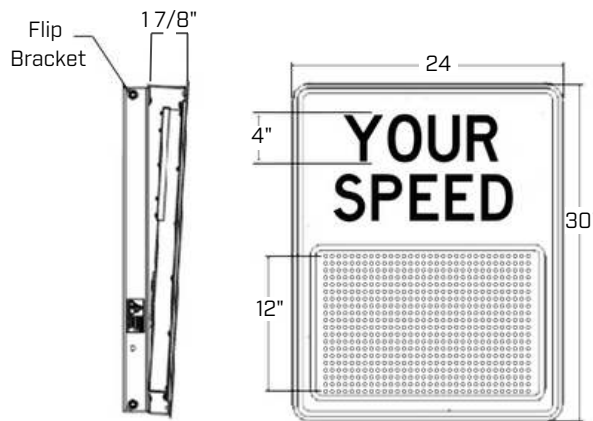
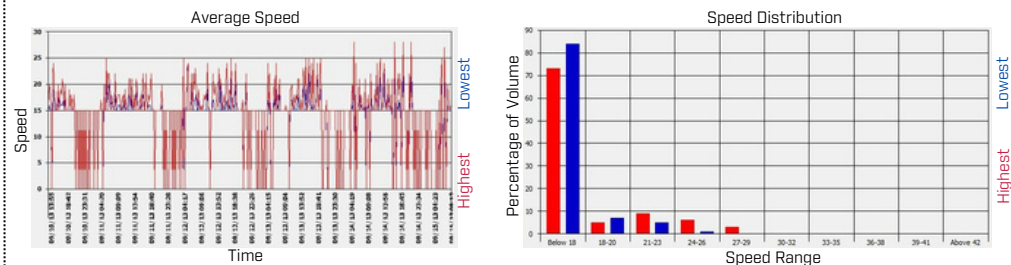
License Free

App for Android and Microsoft Store

System Health Data: battery voltage, internal temperature, ambient light lux, display function status

Speed Data: date stamp, time stamp, vehicle count, minimum speed, maximum speed, 10 speed bins, average speed, 25th percentile speed, 50th percentile speed, 85th percentile speed

Schedule can be programmed up to 1 year in advance



iq1200 Full-Matrix Sign

Part #	Reflective Sheeting Color
M75-12DFB-0001	White*
M75-12DFB-0002	Fluorescent Yellow-Green
M75-12DFB-0003	Fluorescent Orange
M75-12DFB-0004	Yellow

*Non MUTCD Compliant

12" Value Portable

RADAR SPEED SIGNS



THE VALUE SERIES OF RADAR SPEED SIGNS

The TrafficCalm® Value series of Radar Speed Signs offer an economical, yet rugged solution to help reduce vehicle speeds and increase road and pedestrian safety. They are designed for situations where drivers need to be alerted to their current speed, but the additional data collection and speed triggered warning messages are not needed. The portable versions are battery powered and designed to be lightweight so they can easily be removed from a post, recharged, and moved to another location by one person.

The Value Series features bright 12" (30.5 cm) LED characters that can be legible from up to 600 ft (182.9 m) away and help increase driver awareness of their speed on neighborhood streets where so many crashes occur each year.

Speed can kill. A pedestrian is 82 percent more likely to be fatally injured if hit by a vehicle traveling 40 MPH (64 KPH) vs a vehicle traveling 20 MPH (32 KPH). Speeding drivers are almost three times more likely to be involved in fatal or serious-injury crashes. Radar Speed Signs have been proven, by multiple third-party studies*, to be highly effective at reducing average vehicle speeds and slowing speeding drivers, creating safer roadways and communities.

FEATURES

Fixed Matrix Display

The seven-segment display is able to display up to two digits from 1 to 99 with super-bright LEDs.

100% MUTCD Compliant

Amber LED's are used to meet the Federal Highway Administration Manual on Uniform Traffic Control Devices (MUTCD). Multi-color LED's and strobes that are not MUTCD compliant are not utilized.

Ruggedized Electronics

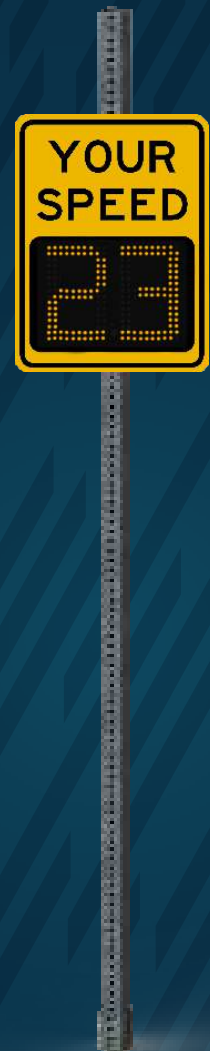
Built tougher than other systems on the market. Polycarbonate high-impact, non-glare display cover is vandal resistant, the enclosure is a metal and weather-proof sealed NEMA 3R rated enclosure.

Made in the USA

TrafficCalm® Radar Speed Signs are manufactured in the USA in an ISO 9001:2015 certified facility, meeting and exceeding industry and state testing requirements. TrafficCalm® signs are unmatched in durability, brightness, accuracy and ease of installation and use. Build America/Buy America Compliant.

*Call for speed studies

TRAFFICALM.COM



RELEASED: 2023/01/17

+1 855.738.2722 / sales@trafficalm.com / www.trafficalm.com

SPECIFICATIONS

DISPLAY

Electronic Light Emitting Diode (LED) display

Speed display features 12" (30.5 cm) high electronic numbers, will display MPH or KPH, Minimum 5 MPH (8 KPH) in 1 MPH/1.6 KPH increments, Maximum 99 MPH/159.3 KPH

YOUR SPEED Legend: 4" (10.2cm) Highway Gothic font

LEDS: Amber (590 nanometers) in color, 100,000-hour life, 15° viewing angle, AlInGaP technology

Brightness: 20,000 candela per square meter, Auto dimming

Legibility distance: 600 ft (182.9 m)

Front face sheeting: 3M™ Diamond Grade™ high visibility prismatic retroreflective sheeting

YOUR SPEED Sign Color: Yellow, Fluorescent Yellow-Green, Fluorescent Orange or White

RADAR SENSOR

K-Band (24.15 GHz), license-free (FCC part 15 compliant)

Range: Up to 1000 ft (304.8 m)

CONSTRUCTION

Outside dimensions 24" w x 30" h x 2 1/4" d

(61 cm x 76.2 cm x 5.7 cm)

Weight: 39 lbs (17.7 kg)

Aluminum metal enclosure, powder coated green

High impact polycarbonate face

NEMA 3R Rated Cabinet

COMMUNICATION

Infrared Wireless Remote

POWER

Power requirements: 12VDC, low standby, average day at 8.5 watts, night at 1.5 watts

Voltage requirements: 9VDC-30VDC, 12VDC

Nominal (Battery protection at 11.5VDC and 10.8VDC, startup at 12.3VDC)

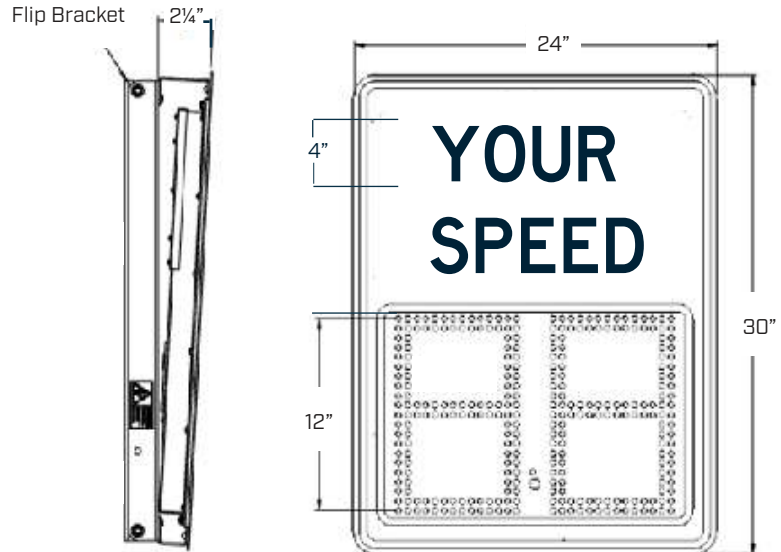
Integrated 30 Ah NiMH battery pack

ENVIRONMENTAL

-40°F to +165°F operating range (-40°C to +74°C)

WARRANTY

3 year limited warranty excluding batteries



12" Value Portable w/ 30Ah Battery and Key

Part #	Reflective Sheeting Color
M75-012SE-PK01	White*
M75-012SE-PK02	Fluorescent Yellow-Green
M75-012SE-PK03	Fluorescent Orange
M75-012SE-PK04	Yellow

*Non MUTCD Compliant

iQ1500

RADAR SPEED SIGNS



THE IQ SERIES OF RADAR SPEED SIGNS

The iQ Series is our full-featured Radar Speed Sign that includes a full-matrix display, speed triggered messages, and beacon outputs, along with traffic data collection.

The iQ1500 features bright 15" [38.1 cm] characters that can be seen from up to 750 ft [228.6 m] away and help increase driver awareness of their speed on neighborhood streets.

Speed can kill. A pedestrian is 82 percent more likely to be fatally injured if hit by a vehicle traveling 40 MPH [64 KPH] vs a vehicle traveling 20 MPH [32 KPH]. Speeding drivers are almost three times more likely to be involved in fatal or serious-injury crashes. Radar Speed Signs have been proven, in multiple third-party studies*, to be highly effective at reducing average vehicle speed and slowing speeding drivers, creating safer roadways and communities.

FEATURES

Full Matrix Display

Full matrix displays allow the vehicle speed to be displayed in conjunction with speed-triggered messages such as "SLOW DOWN" or "TOO FAST."

Traffic Data Collection

Stores up to 9 months of traffic and speed data. TC-Speed Connect™ Data Collection and Reporting Software is included with the sign, providing free local data collection for the life of the sign.

Stealth Mode

The radar can remain active without the sign displaying any message. Speed data will be collected on the controller. This is great for before and after studies to prove the effectiveness of the sign at slowing speeding drivers.

100% MUTCD Compliant

Amber LED's are used to meet the Federal Highway Administration Manual on Uniform Traffic Control Devices (MUTCD). Multi-color LED's and strobes that are not MUTCD compliant are not utilized.

Ruggedized Electronics

Built tougher than other systems on the market. Polycarbonate high-impact, non-glare display cover is vandal resistant. The enclosure is a metal and weather-proof sealed NEMA 3R rated enclosure.

Made in the USA

TrafficCalm® Radar Speed Signs are manufactured in the USA in an ISO 9001:2015 certified facility, meeting and exceeding industry and state testing requirements. TrafficCalm® signs are unmatched in durability, brightness, accuracy and ease of installation and use. Build America/Buy America Compliant.

*Call for speed studies

TRAFFICALM.COM



RELEASED: 2023/01/17

+1 855.738.2722 / sales@trafficalm.com / www.trafficalm.com

SPECIFICATIONS

DISPLAY

Full matrix electronic Light Emitting Diode (LED) display

Speed display features 15" (38.1 cm) high electronic numbers, will display MPH or KPH, Minimum 5 MPH (8 KPH) in 1 MPH/1.6 KPH increments, Maximum 99 MPH/159.3 KPH

Speed triggered messages: "SLOW DOWN" or "TOO FAST" in 7" (17.8 cm) high electronic characters, two-line display for text. Highway Gothic font

LEDs: Amber (590 nanometers) in color, 100,000-hour life, 15° viewing angle, AlInGaP technology

Brightness: 20,000 candela per square meter, Auto dimming

Legibility distance: 750 ft (228.6 m)

YOUR SPEED Legend: 6" (15.2 cm) Highway Gothic font

Front face sheeting: 3M™ Diamond Grade™ high visibility prismatic retroreflective sheeting

YOUR SPEED Sign Color: Yellow, Fluorescent Yellow-Green, Fluorescent Orange or White

RADAR SENSOR

Doppler Radar

K-Band (24.15 GHz), license-free (FCC part 15 compliant)

Radar detection range up to 1000 ft. (304.8 m) depending upon vehicle size, speed of approach, and configuration.

CONSTRUCTION

Outside dimensions 30" w x 41" h x 3" d (76.2 cm x 104.1 cm x 7.6 cm)

Weight: 40 pounds (18.1 kg)

Aluminum metal enclosure, powder coated green

High impact polycarbonate face

NEMA 3R Rated Cabinet

COMMUNICATION

RS-232 and Bluetooth Class 1 or 2 adaptors

[capabilities; V1.0, V1.2, V2.0, V2.1 + Enhanced Date Rate, EDR]

POWER

Solar/Battery kits or AC power supply sold separately

Power requirements: 12VDC, low standby, average day at 8.5 watts, night at 1.5 watts

Voltage requirements: 9VDC-30VDC

ENVIRONMENTAL

-40°F to +165°F operating range (-40°C to +74°C)

WARRANTY

3 year limited warranty + 1 year on batteries

DETAILS

TC-SPEED CONNECT™ CONFIGURATION AND TRAFFIC DATA COLLECTION SOFTWARE

Local configuration, scheduling and data reports

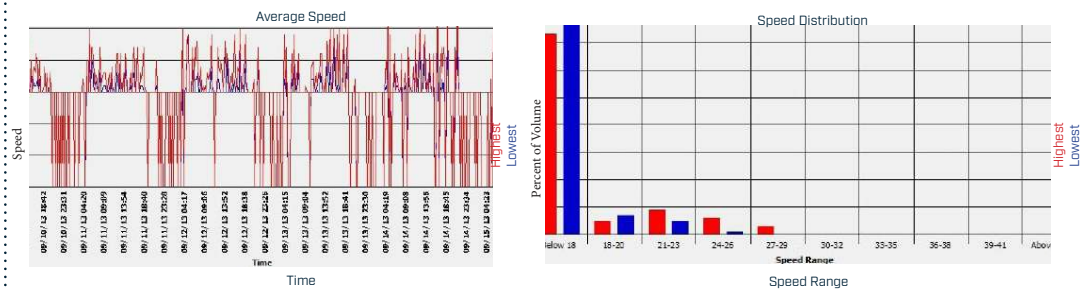
License Free

App for Android and Microsoft Store

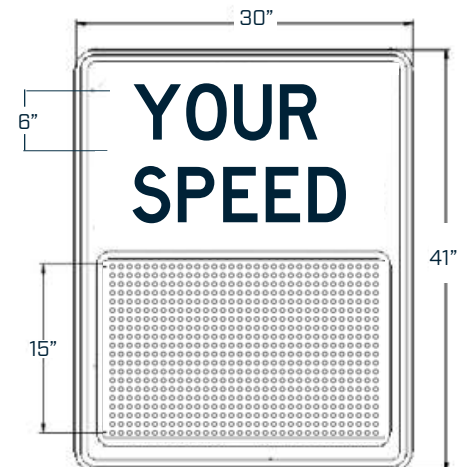
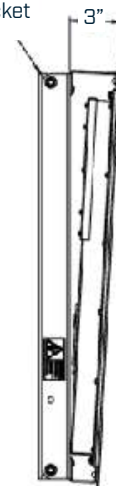
System Health Data: battery voltage, internal temperature, ambient light lux, display function status

Speed Data: date stamp, time stamp, vehicle count, minimum speed, maximum speed, 10 speed bins, average speed, 25th percentile speed, 50th percentile speed, 85th percentile speed

Schedule can be programmed up to 1 year in advance



Flip Bracket



iQ1500 Full Matrix Radar Speed Sign

Part #	Reflective Sheeting Color
M75-15DFB-U001	White*
M75-15DFB-U002	Fluorescent Yellow-Green
M75-15DFB-U003	Fluorescent Orange
M75-15DFB-U004	Yellow

*Non MUTCD Compliant