

Post Top Beacons

INTELLIGENT BEACON SOLUTIONS



POST TOP BEACONS

Adding Flashing Beacons to new or existing signs can increase awareness and compliance with regulatory and warning signs at challenging roadway locations. TrafficCalm's Intelligent Post Top Beacons are a quick and easy-to-install solution that is only comprised of three parts:

- Solar controller
- Integrated 12" beacon assembly
- Post top mount

TrafficCalm Post Top Beacons are affordable, bright, and rugged.

FEATURES

Ruggedized Electronics

All electronics, radios, and LEDs are fully epoxy-potted and environmentally sealed. The entire pole with the beacon, solar controller, and batteries can be fully submerged and still operate.

Ease of Installation

The system consists of only three subassemblies and can be quickly installed on most poles and posts. For round poles, we offer 4.5" OD and 2.5" round pole mounts. For square poles, we have a universal square pole mount that works on wooden and tubular steel posts.

Built-in Beacon Timer and Scheduler

No external beacon timer is required when an intelligent controller is selected. The system comes with a built-in software timer and the ability to schedule the beacon activity up to 1 year in advance or run it 24/7. Systems with basic controllers are plug-n-play with no programming or scheduling options.

Made in the USA

TrafficCalm Intelligent Beacons are manufactured in the USA in an ISO 9001:2015-certified facility, meeting and exceeding industry and state testing requirements. TrafficCalm® Intelligent Beacons are unmatched in durability, brightness, and ease of installation and use. Build America/Buy America Compliant.

TRAFFICALM.COM



SPECIFICATIONS

Beacon Illumination

Single 12" red or amber beacon ball options
 ITE VTCSH-LED Circular Signal Supplement Compliant (ITE 2005)
 Auto dimming
 Selectable daylight non-dimming option
 Maintains 70% of initial lumens after 100,000 hours of operation

LED Beacon Electrical

Wattage: 4.4W (red), 10W (amber)
 Input Voltage: 10-28VDC
 Multiple flash pattern selections with intelligent controllers and standard MUTCD flash pattern available with basic controllers
 Beacon Controller includes 24 Ah battery

Beacon Dimensions

Housing dimensions for all Intelligent Beacons:
 13.5"h x 13.5"w x 17"d (34.29cm x 34.29cm x 43.18cm)

Beacon Housing

Powder-coated aluminum housing in black or yellow
 Hinged door of matching aluminum material and color
 All brackets and mounting points serrated for positive positioning and locking
 Black or yellow aluminum tunnel visor sold separately
 Black contrast back plate sold separately

Compatibility

Mounts to all industry standard square posts - including Telespar and wooden posts, 4.5" round or 2.5" round poles.
 Round pole mounts are available for 4.5" OD and 2.5-2 7/8" OD round poles.

Environmental

NEMA 4X Enclosure
 -40°F to +165°F (-40°C to +74°C) operating range

System Ordering Options

Beacon LED colors: Red or amber
 Housing colors: Gloss black or yellow
 Intelligent Duplex Solar Controller/Collaborator or a Basic Duplex Solar Controller
 Mounting: 2.5" round pole mount, 4.5" round pole mount, or universal square post mount

DETAILS

Input/Output

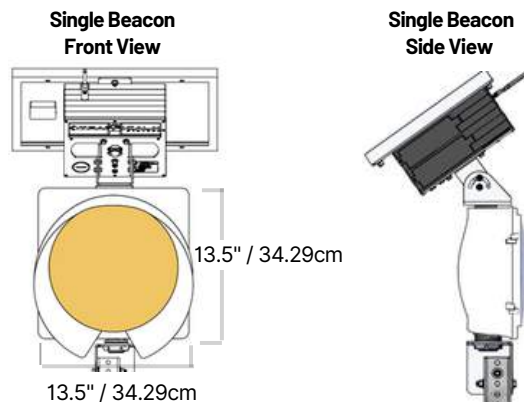
Inputs: 1 per controller, accepts dry contact closure, optional input devices include push button, environmental sensors, and other
 Outputs: 2 per controller, 12W max requirement, default output rated at 1 flash per second, to comply with MUTCD guidelines, including section 4N.02
 Radar Port: Accepts input from TrafficCalm Radar
 Light sensor for configurable auto-dimming feature based on ambient light conditions

TrafficCalm User Interface

Wi-Fi connectivity - No internet connection required
 Configurable flash duration: 1 flash/second by default
 Built-in timer and scheduler (Intelligent Controllers Only)
 Ability to send schedule/program to 1 controller and the schedule/program will automatically be pushed to all paired controllers within range. Saving time and complexity (Intelligent Controllers Only)
 On screen status reporting includes: Controller to Collaborator(s) signal strength, Controller to Collaborator(s) flasher output voltages, Controller to Collaborator(s) input voltage (battery or AC devices), Controller to Collaborator(s) charging voltage, Controller to Collaborator(s) firmware versions

Performance, Warranty, and Service

Wireless activation within 100mS
 Wireless range of 1500 ft/457m (2.4GHz radios)
 5-year limited warranty
 Unlimited tech support from US based factory technicians



Square Pole Post Top Mount Bracket with Beacon on Top



Square Pole Post Top Mount Bracket



Round Pole Post Top Mount Bracket

