






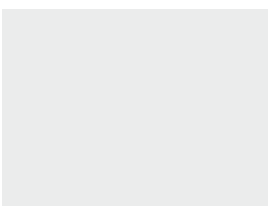












www.kpt.co.in

KPT Products Spares









INDEX

Sr. No	Product	Service Sheet No.	Rev.	Page. No.	Image
DRILLS					
1	PR108 K4	728560	6		
2	PR110 K1	728882	8		
3	GD25 K2	742531	6		
4	HD16 K2	742591	6		
HEAVY DUTY DRILLS					
5	HD1115C K3	728453	15		
6	HD1115MT K4	728455	15		
7	KW10 K3	729328	20		
					









INDEX

Sr. No	Product	Service Sheet No.	Rev.	Page. No.	Image
IMPACT DRILLS					
8	KPT561 K1	729790	10		
9	KPT563 K1	729946	10		
10	KPT563VR K1	742927	5		
BROACH CUTTER					
11	KMS-BRC K1	886809	14		
12	KBC50	744178	00		
13	KBRC42 K1	743920	00		
14	KBRC40	744092	00		
MINI ANGLE GRINDERS					
15	P34-01 K1	741570	4		









INDEX

Sr. No	Product	Service Sheet No.	Rev.	Page. No.	Image
16	KPT850-100	742712	10		
17	P55-02 K3	742582	7		
18	KPT11-125 K1	742936	3		
ANGLE GRINDERS					
19	P57-91 K5	742479	13		
20	P57-91/24 K1	742962	9		
21	P59-91 K5	742609	11		
22	P59-91/24	742963	9		
STRAIGHT GRINDERS					
23	K-600 K1	741005	7		









INDEX

Sr. No	Product	Service Sheet No.	Rev.	Page. No.	Image
24	P44-01 K2	742601	3		
25	P44-01HW K1	743817	1		
26	HD1290 K3	728324	12		
27	P77-91LH	728806	10		
ORBITAL SANDERS					
28	KOS K1	728744	6		
SANDERS / POLISERS					
29	HD1285 K4	742155	14		
30	KF-2	730260	3		
OTHERS					
31	KF2HW K1	743814	0		

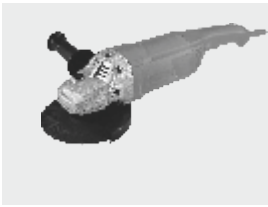
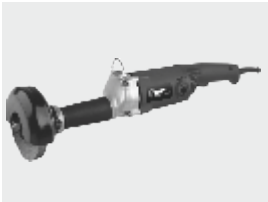





INDEX

Sr. No	Product	Service Sheet No.	Rev.	Page. No.	Image
32	KWB350	727939	12		
33	KM4SA K4	743243	2		
34	KC355+ K1	742694	10		
35	KCS190 K1	800238	4		
36	KIS K6	728201	5		
DRILL STANDS					
37	GD70 K4	728409	2		
38	GD60 K1	GEN439	2		
39	KMS95RT K1	741575	6		




INDEX

Sr. No	Product	Service Sheet No.	Rev.	Page. No.	Image
DRILLS					
40	KID10	-	0		
41	KID13	-	0		
42	KPD10 RE	-	0		
MINI ANGLE GRINDER					
43	KAG10-4	--	00		
44	KPT900-100	--	00		
45	KAG14-5	--	00		
46	KAG5BL	--	00		
ANGLE GRINDER					
47	KAG20-7	--	00		



INDEX

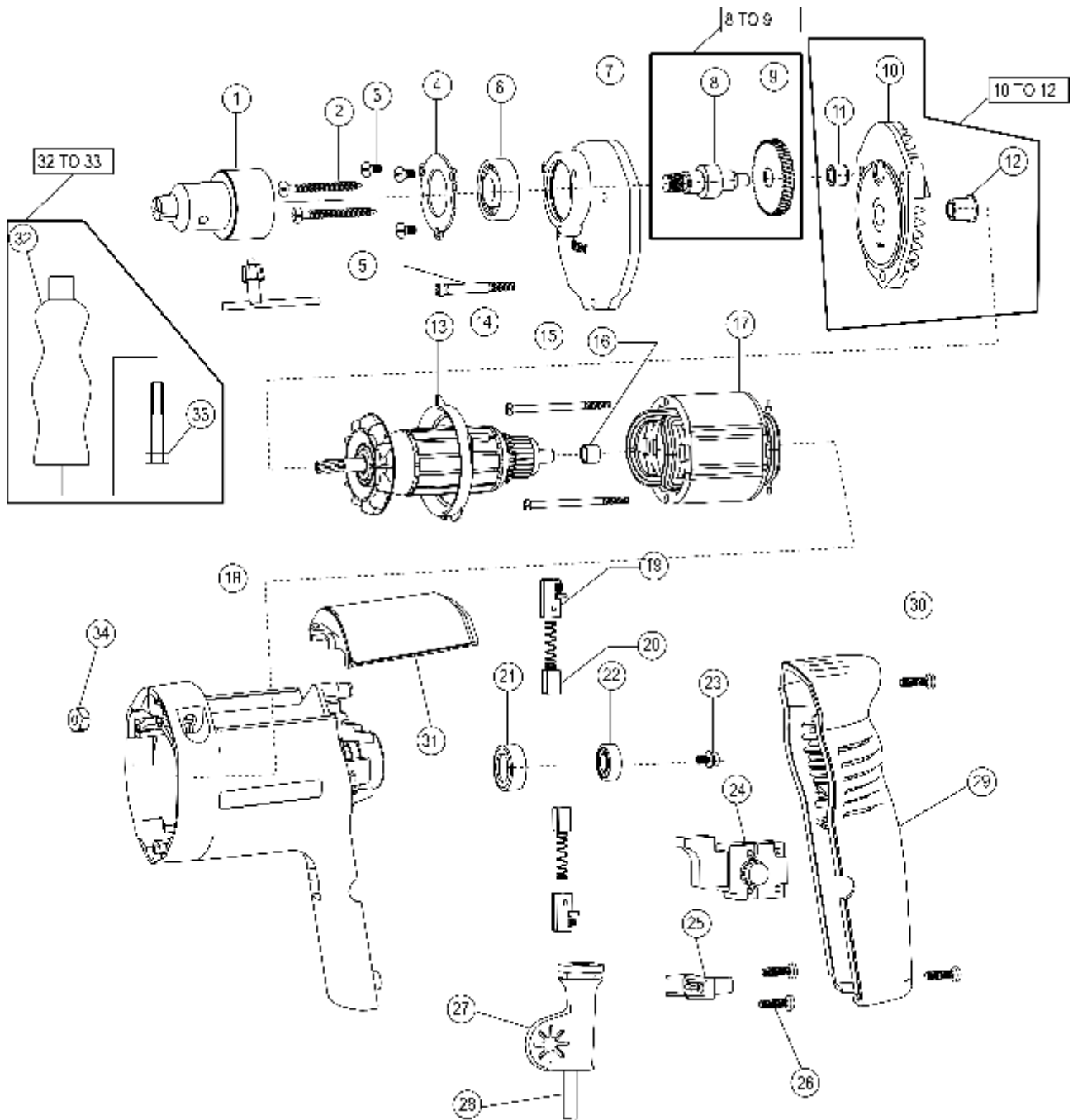
Sr. No	Product	Service Sheet No.	Rev.	Page. No.	Image
48	KAG24-7	—	00		
STRAIGHT GRINDERS					
49	KSG4	--	00		
50	KDG6N	—	00		
TILE CUTTER					
51	KPTTC4	--	00		
52	KPTTC5	--	00		
CUT-OFF-SAW					
53	KPTCS355	—	00		
ROTARY HAMMER					
54	KRH13	--	00		

INDEX

Sr. No	Product	Service Sheet No.	Rev.	Page. No.	Image
55	KPTRH22	--	00		
56	KPTRH26	--	00		
DEMOLITION HAMMER					
57	KPT5DHN	--	00		
58	KPT11DHN	--	00		
59	KDH11	--	00		
60	KPT16DHN	--	00		
ROUTER					
61	KRT12	--	00		
DRILL KIT					
62	KDK13H	--	00		

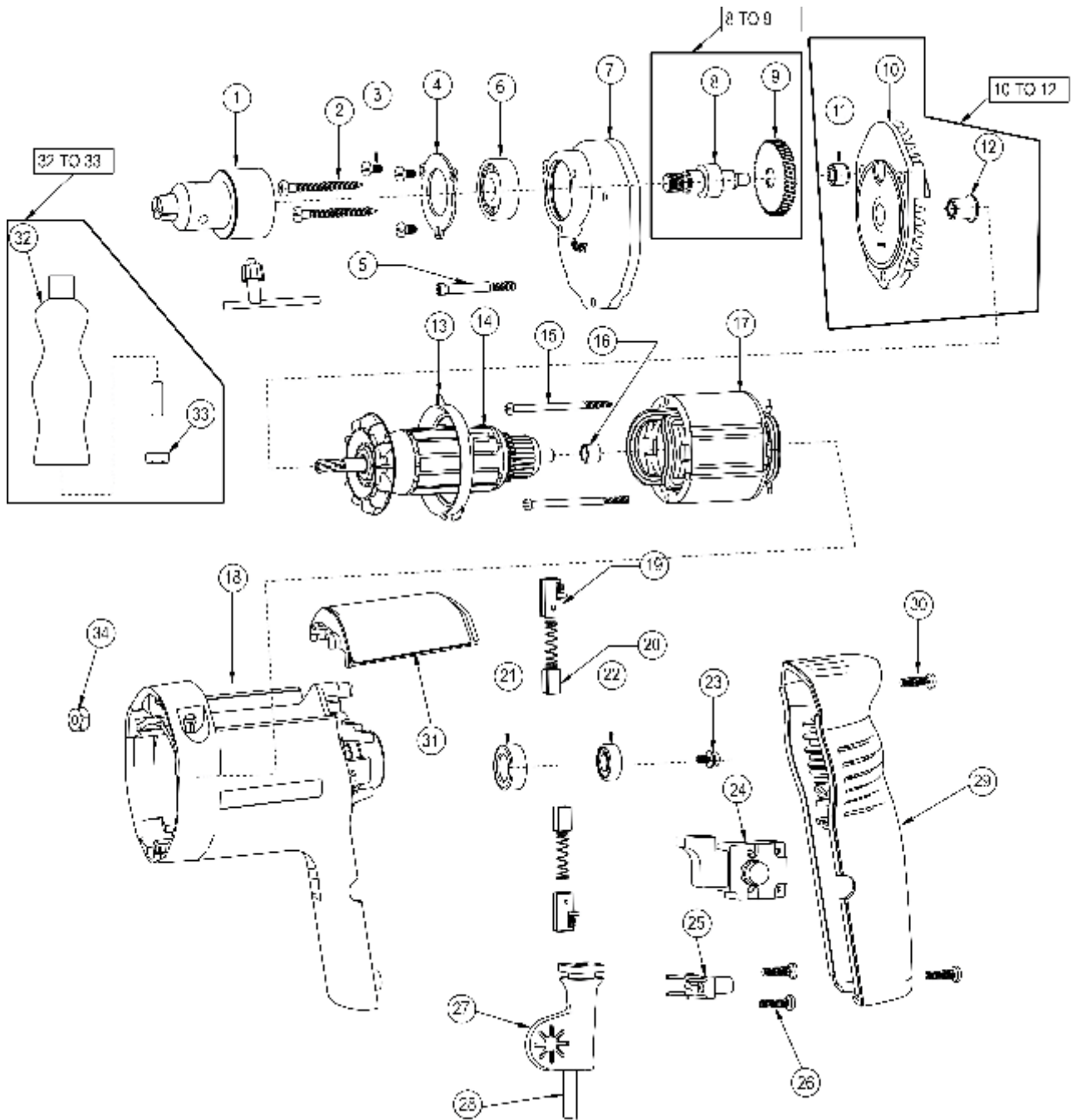
INDEX

Sr. No	Product	Service Sheet No.	Rev.	Page. No.	Image
OTHER					
63	KB500N	-	00		
64	KSD10	-	00		
65	KCS190N	-	00		



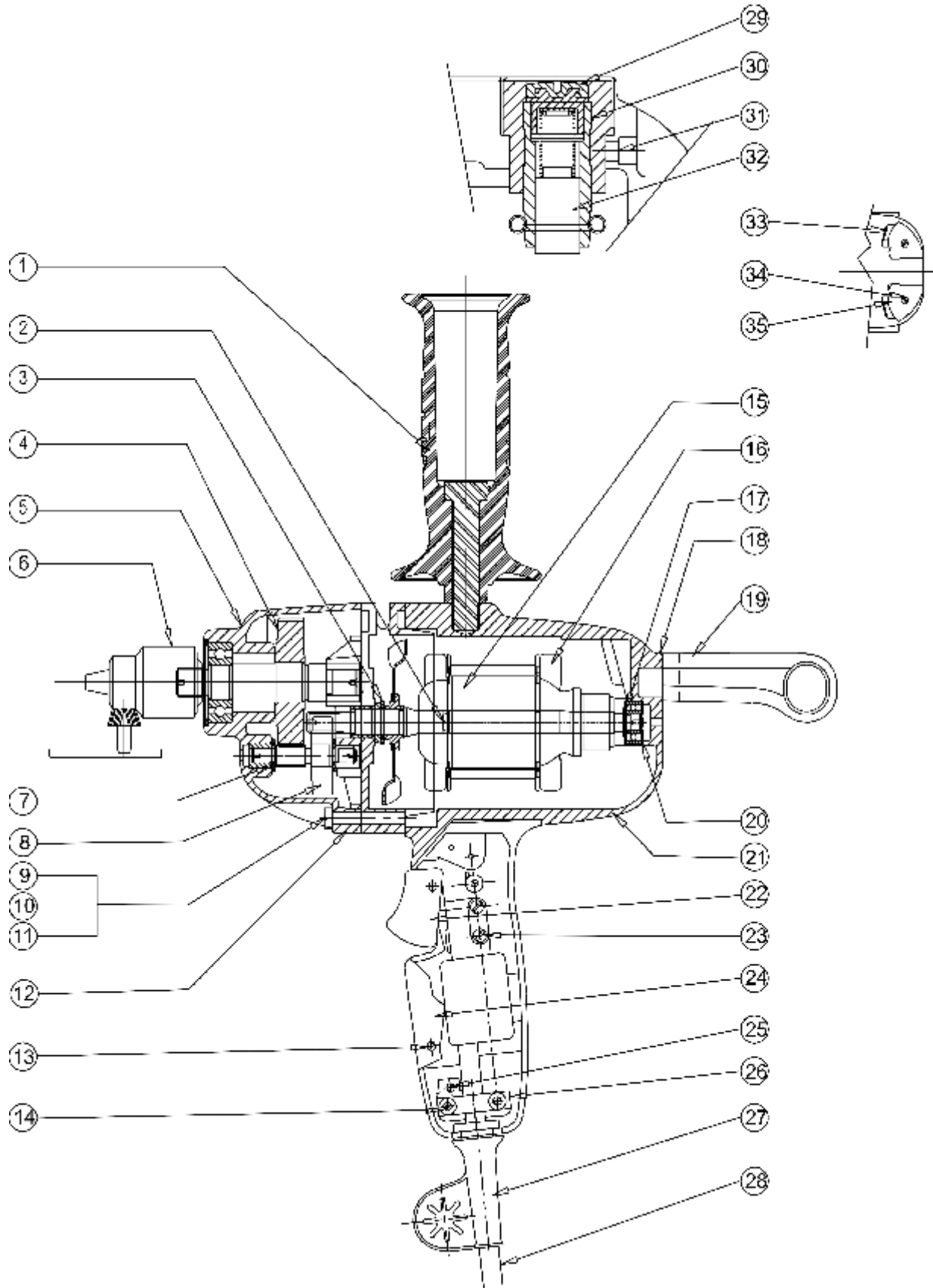
PRODUCT
PR108 K4
 6mm HEAVY DUTY DRILL





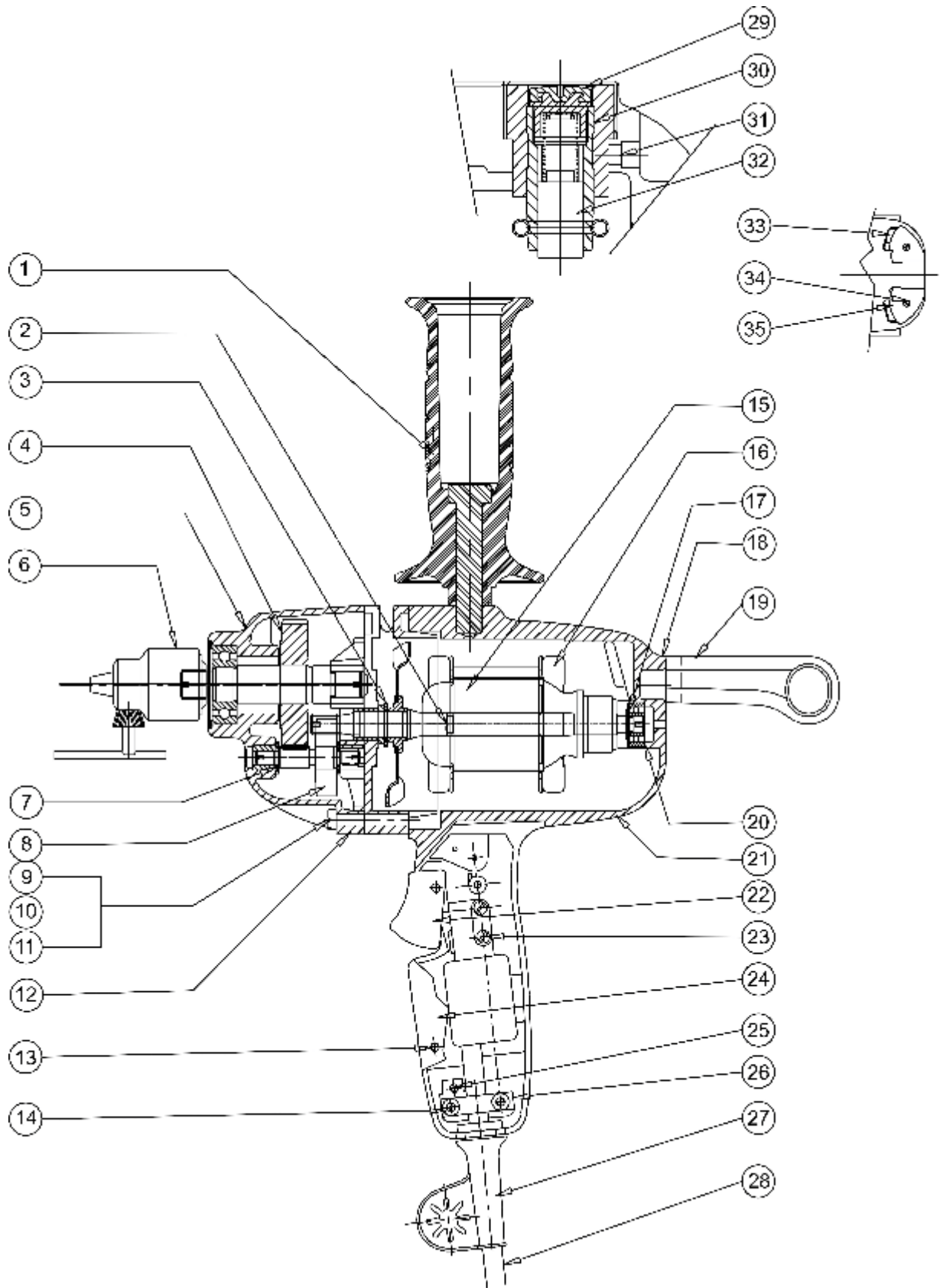
PRODUCT
PR110 K1
10mm HEAVY DUTY DRILL





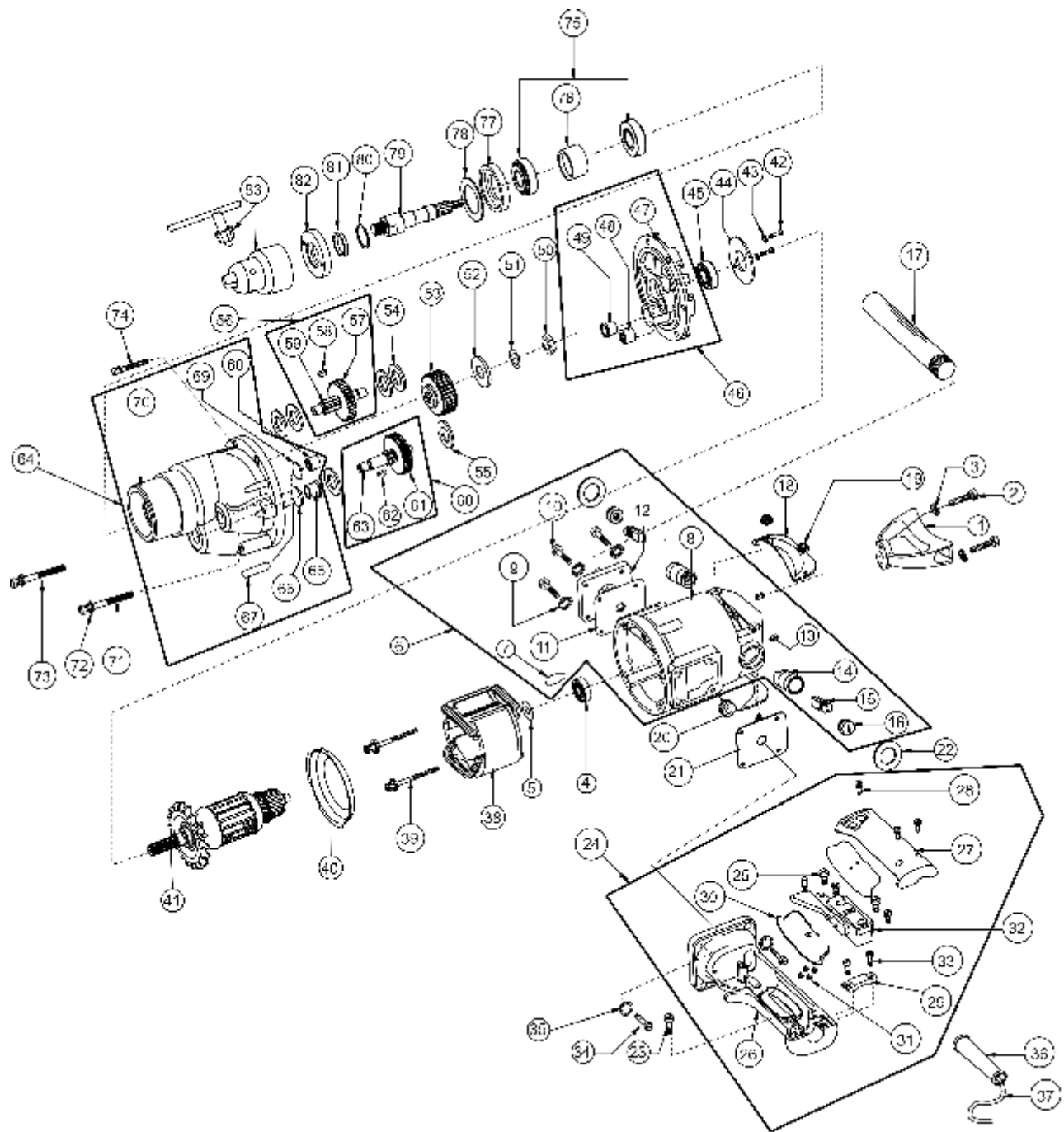
PRODUCT
GD 25
1/2 (13mm) GENERAL DUTY TYPE





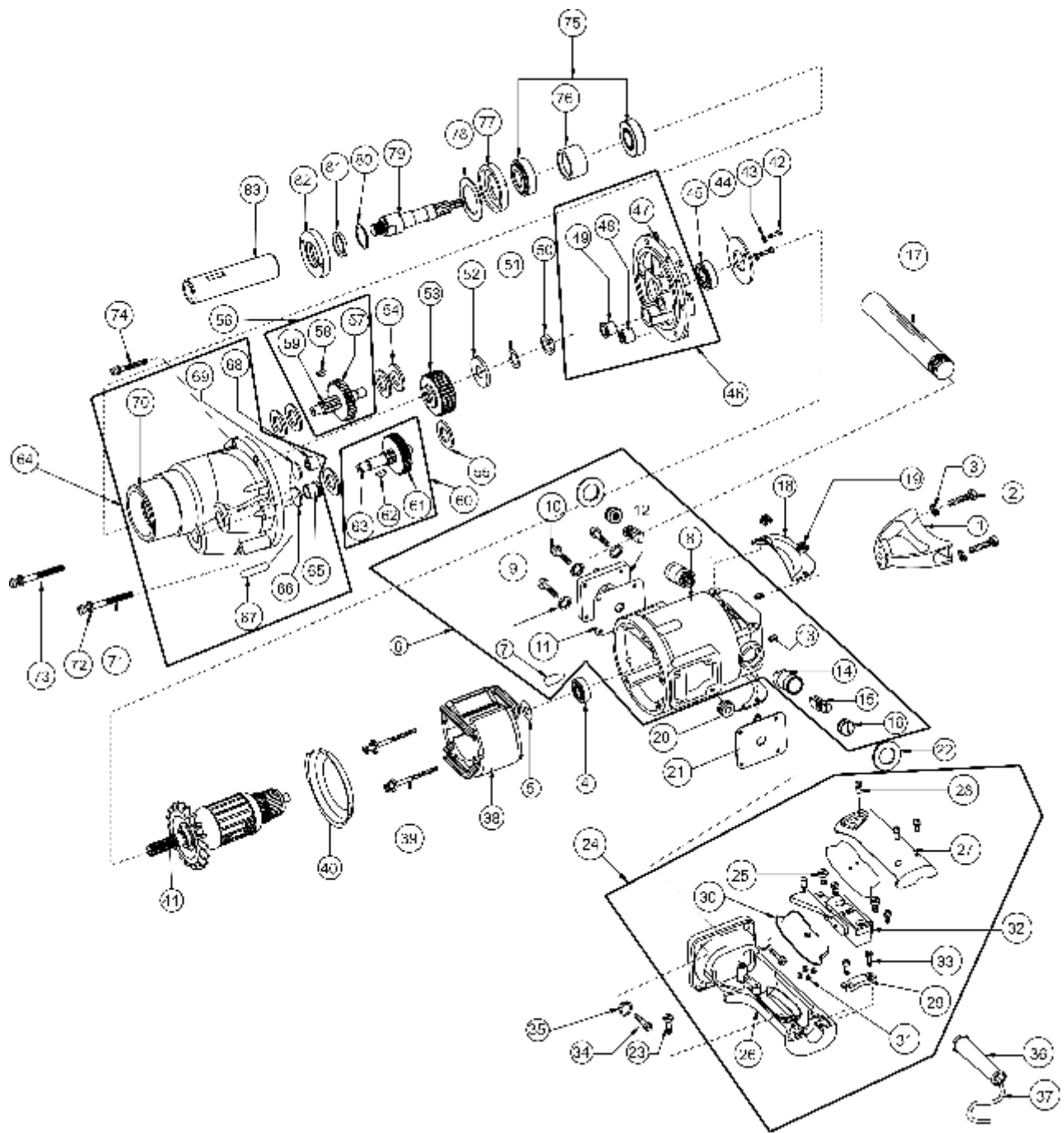
PRODUCT
HD 16 K2
(16mm) HEAVY DUTY TYPE





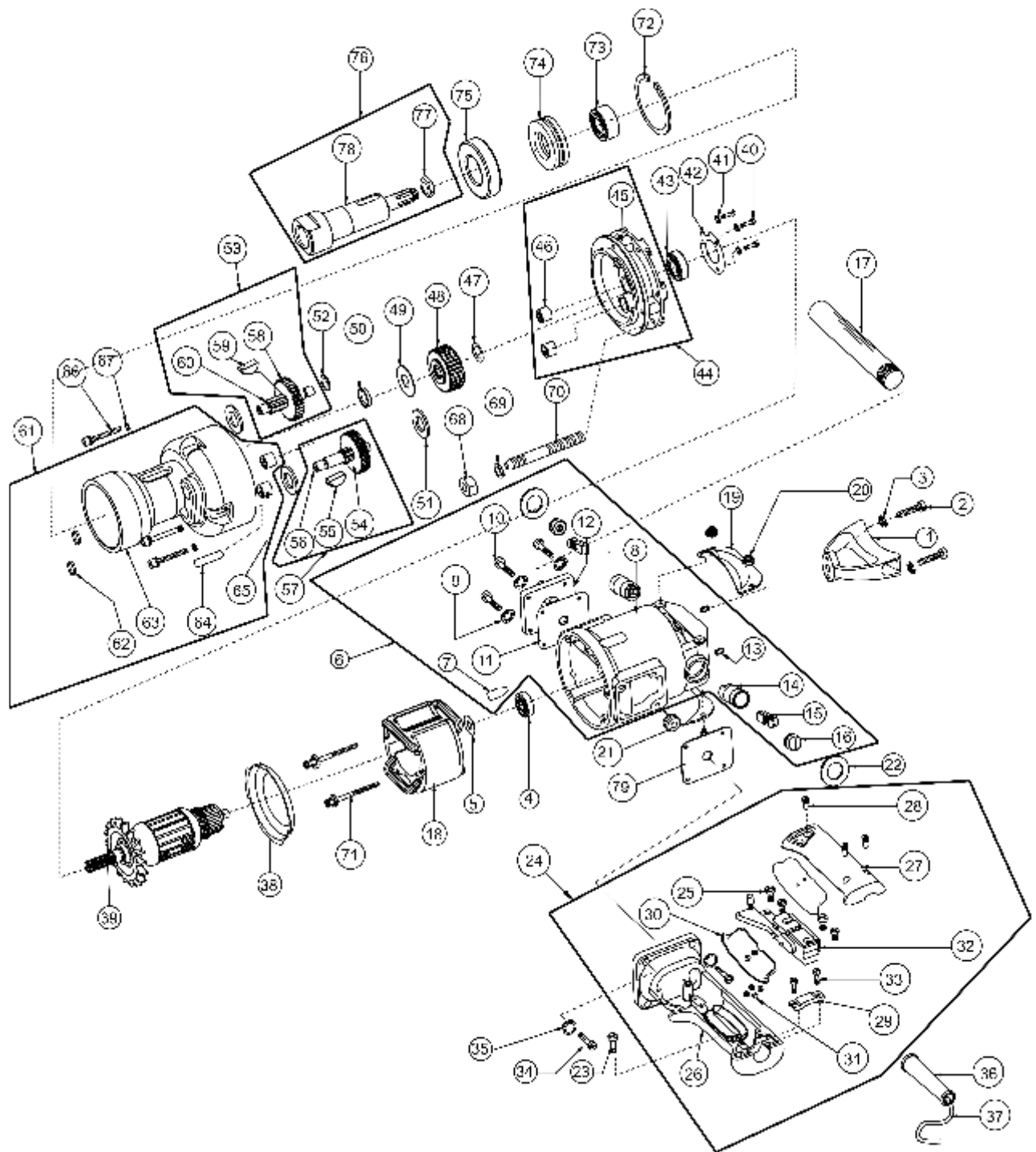
PRODUCT
HD 1115C K3
19mm HEAVY DUTY DRILL





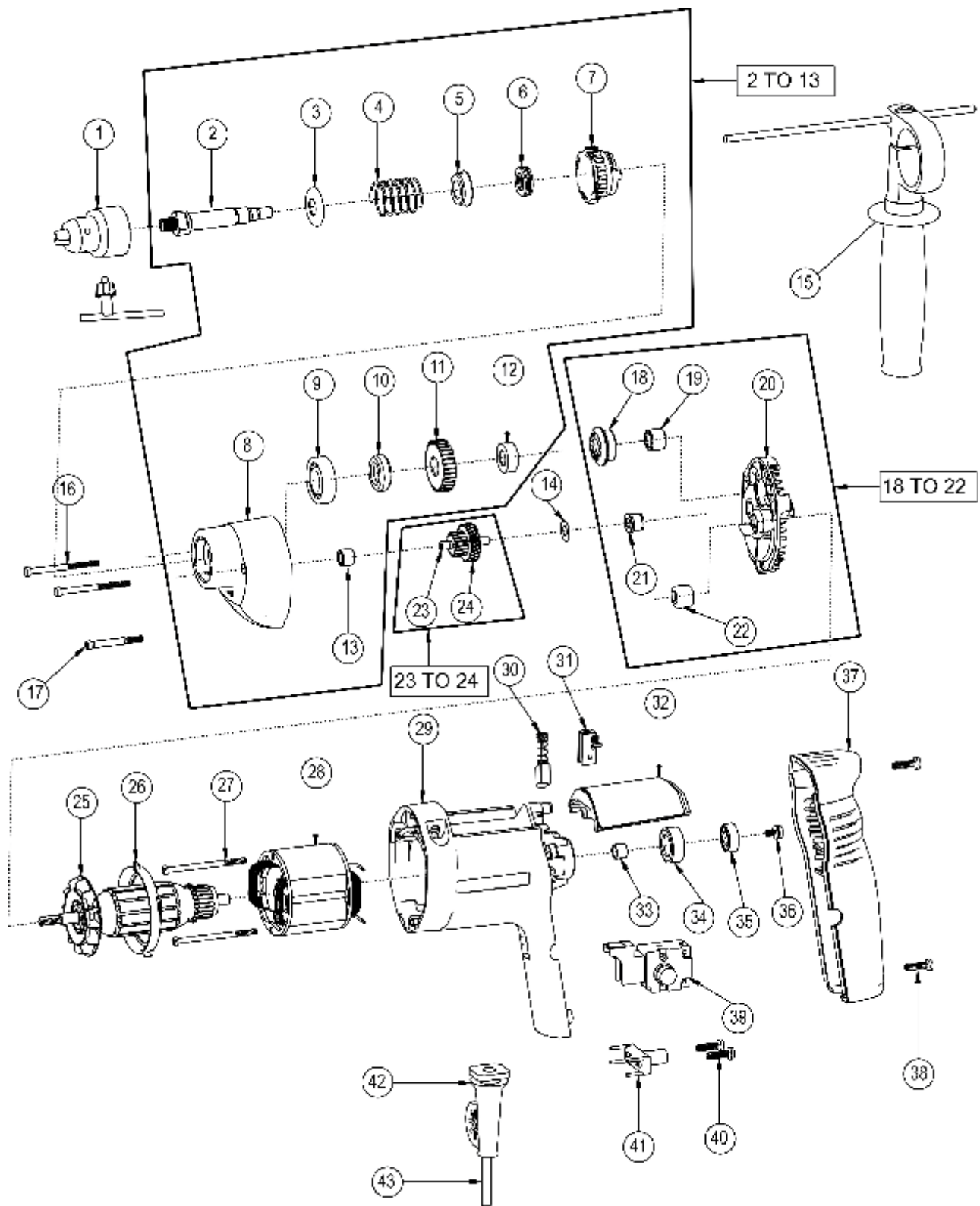
PRODUCT
HD 1115MT K4
23mm HEAVY DUTY DRILL





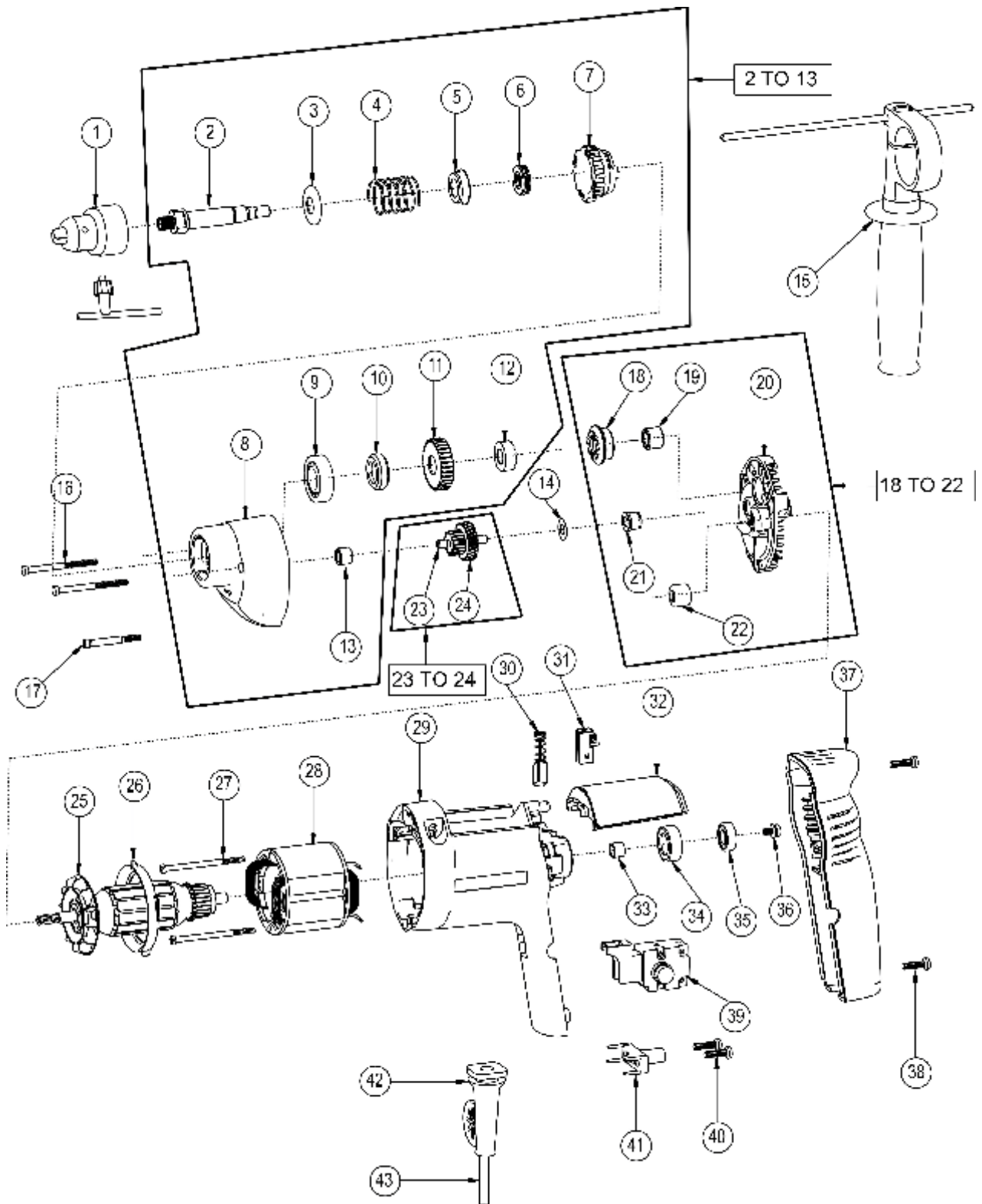
PRODUCT
KW10 K3
DRILL





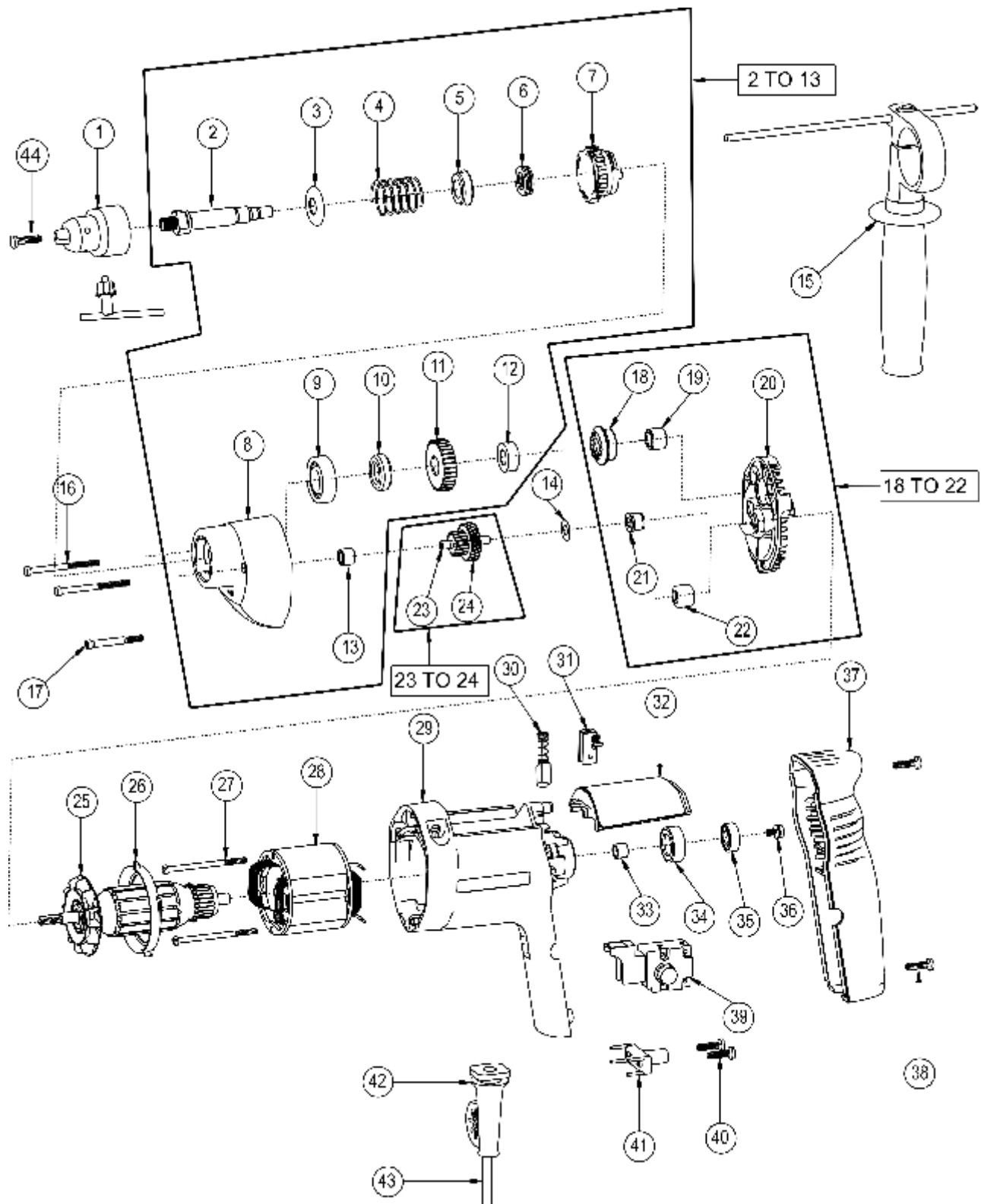
PRODUCT
KPT561 K1
10mm HAMMER DRILL





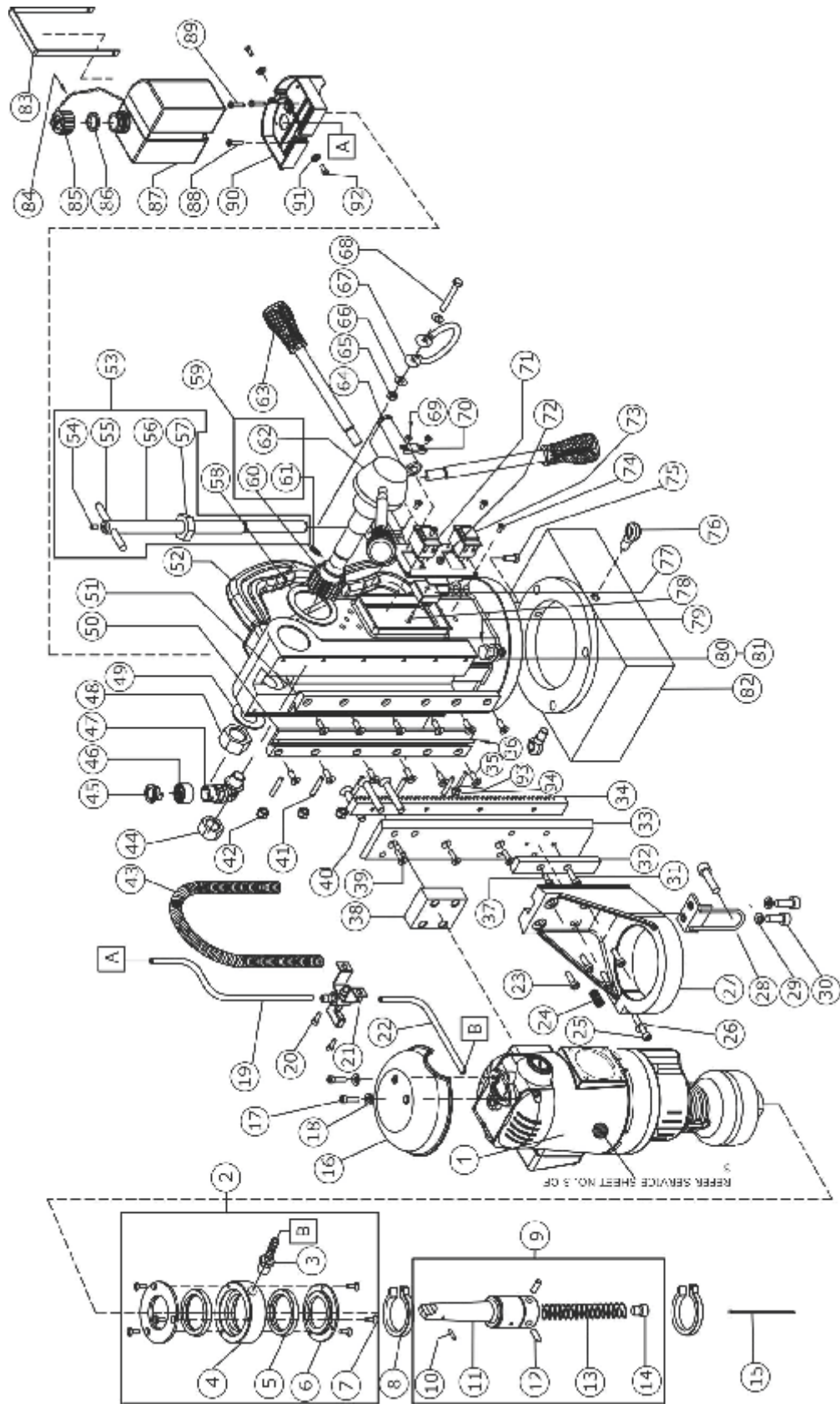
PRODUCT
KPT563 K1
13mm HAMMER DRILL





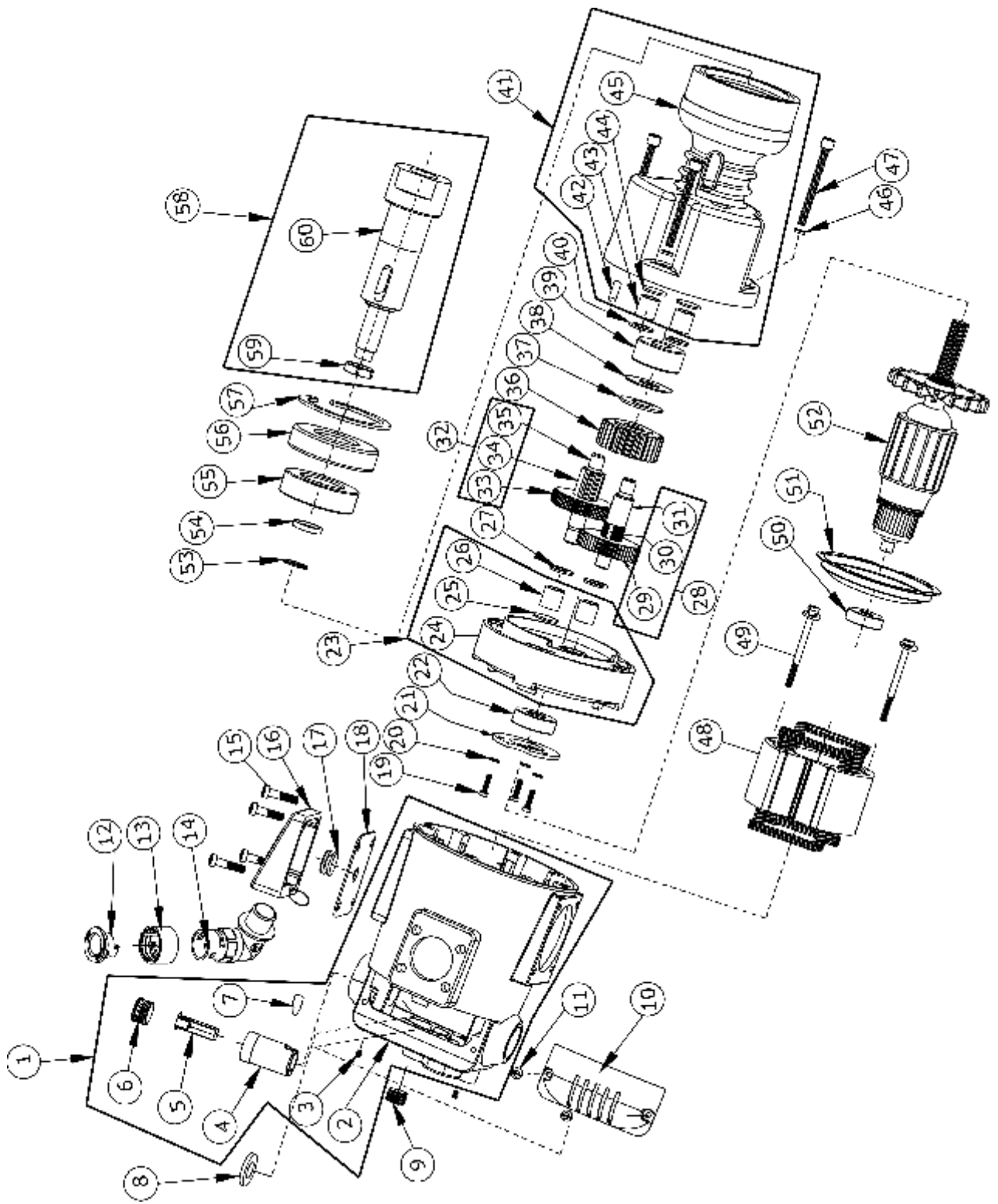
PRODUCT
KPT563VR K1
13mm HAMMER DRILL





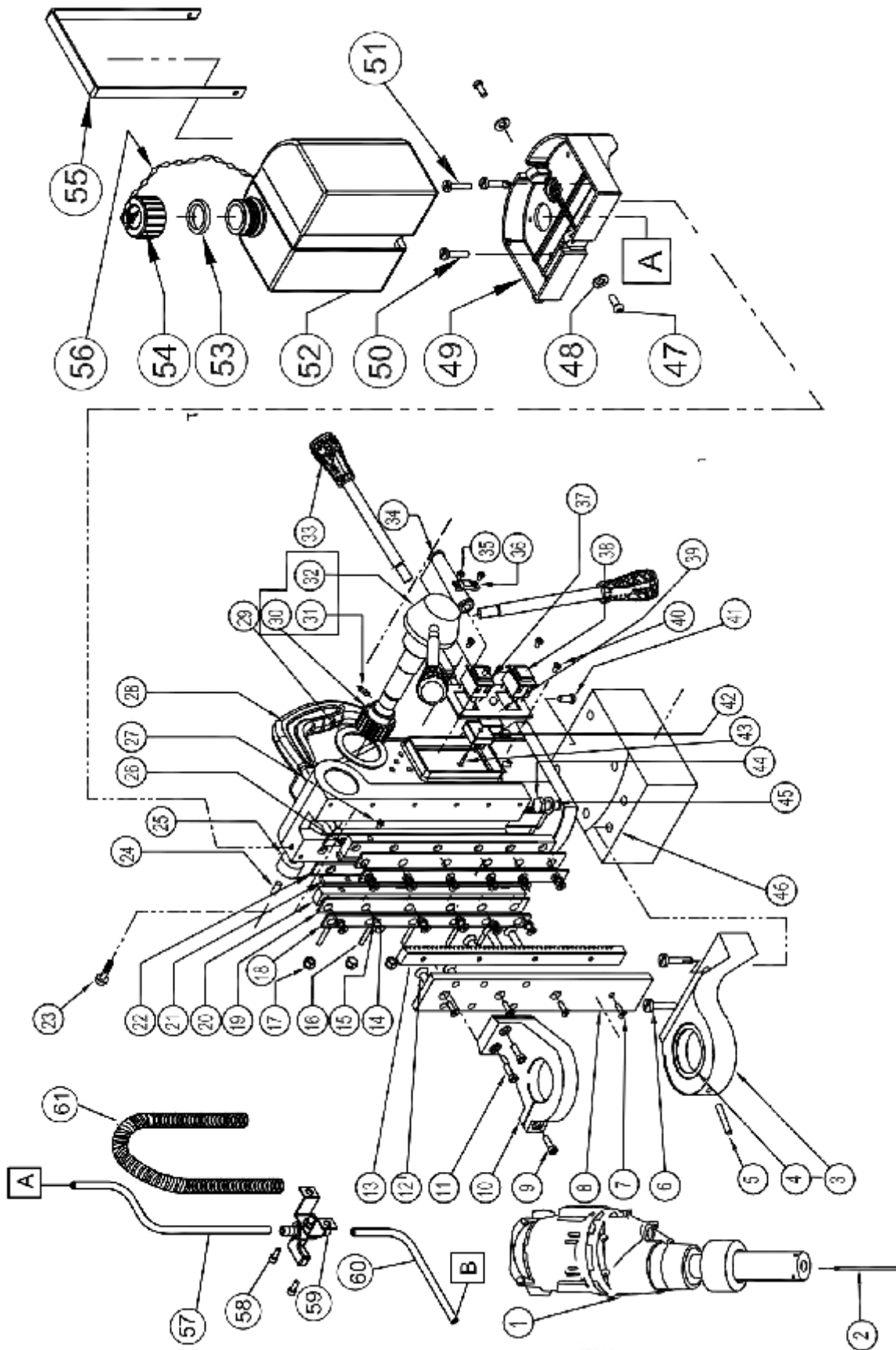
PRODUCT
KMS-BRC K1
MAGNETIC DRILLING M/C USING BROACH CUTTER





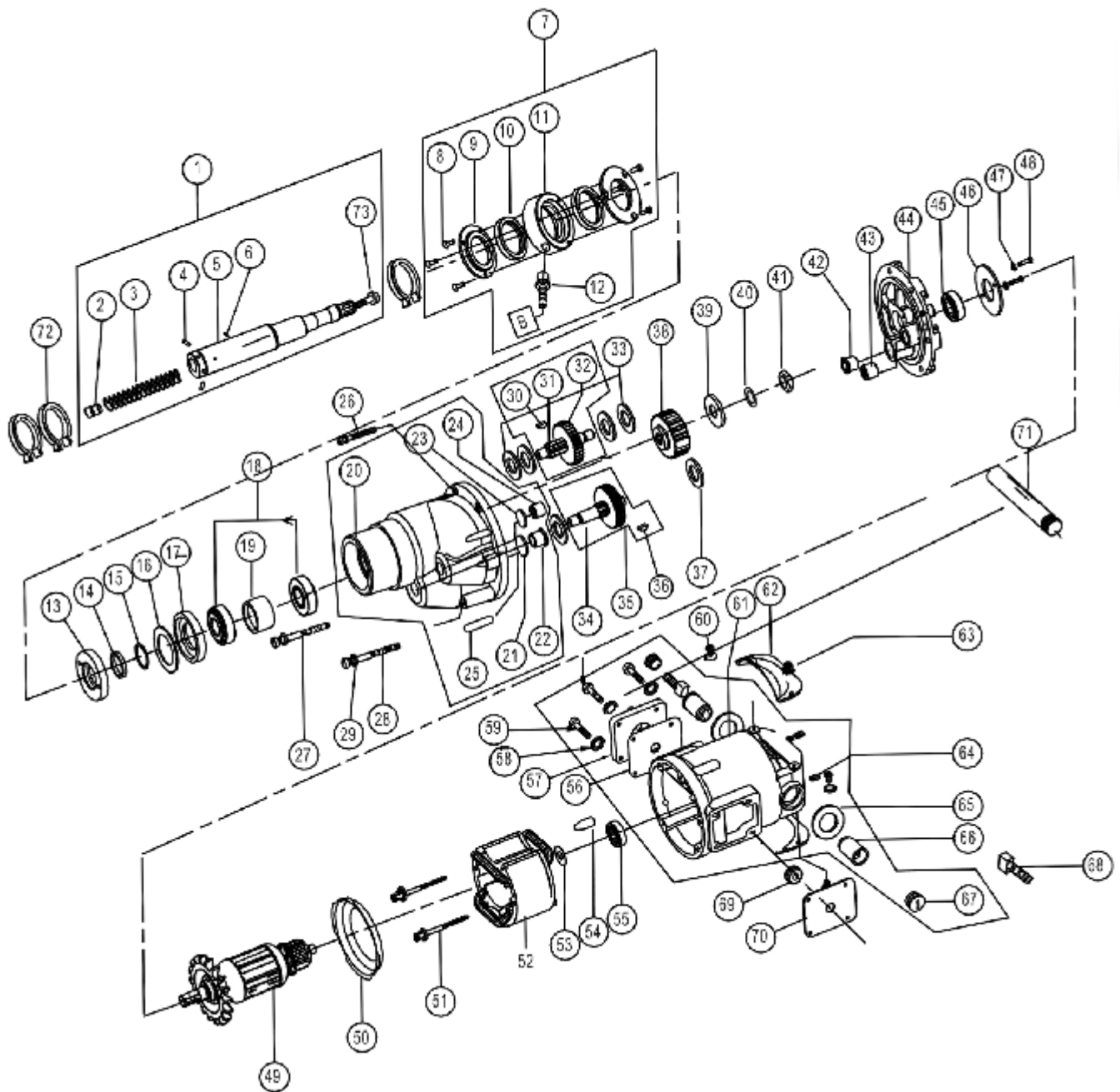
PRODUCT
KMS-BRC K1
 MAGNETIC DRILLING M/C USING BROACH CUTTER





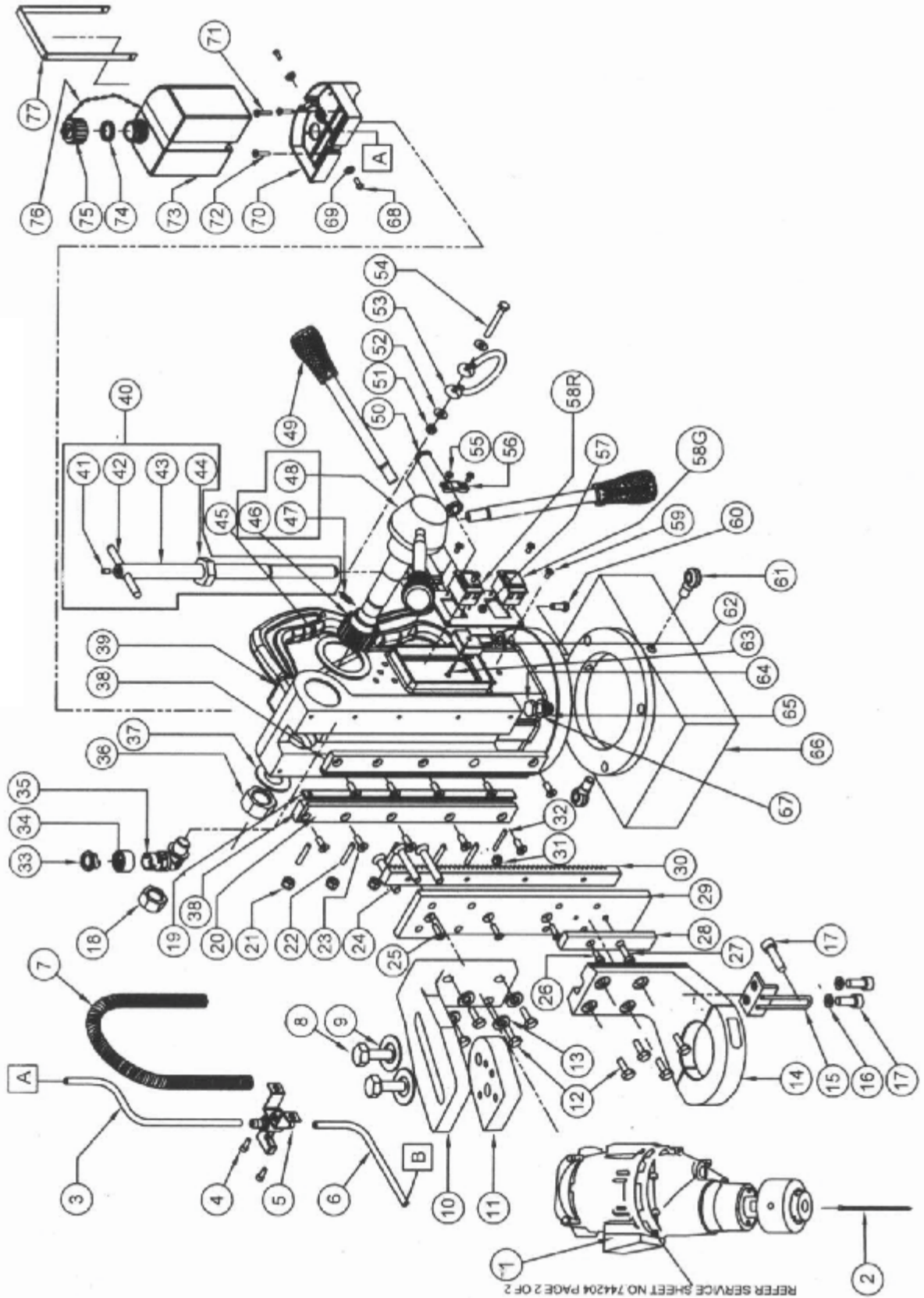
PRODUCT
KBC50
50mm BROACH CUTTER





PRODUCT
KBC50
50mm BROACH CUTTER

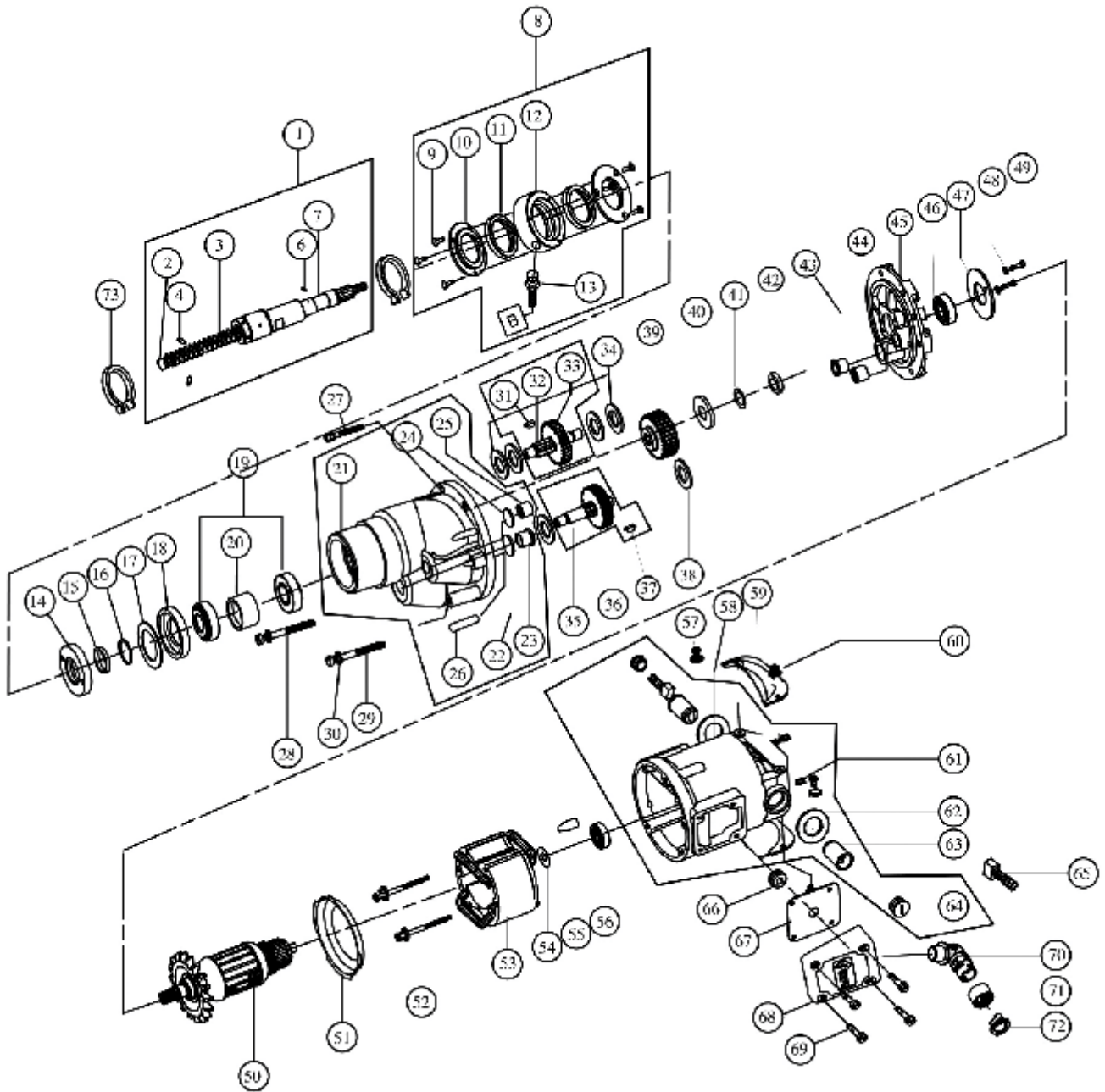




REFER SERVICE SHEET NO. 744204 PAGE 2 OF 2

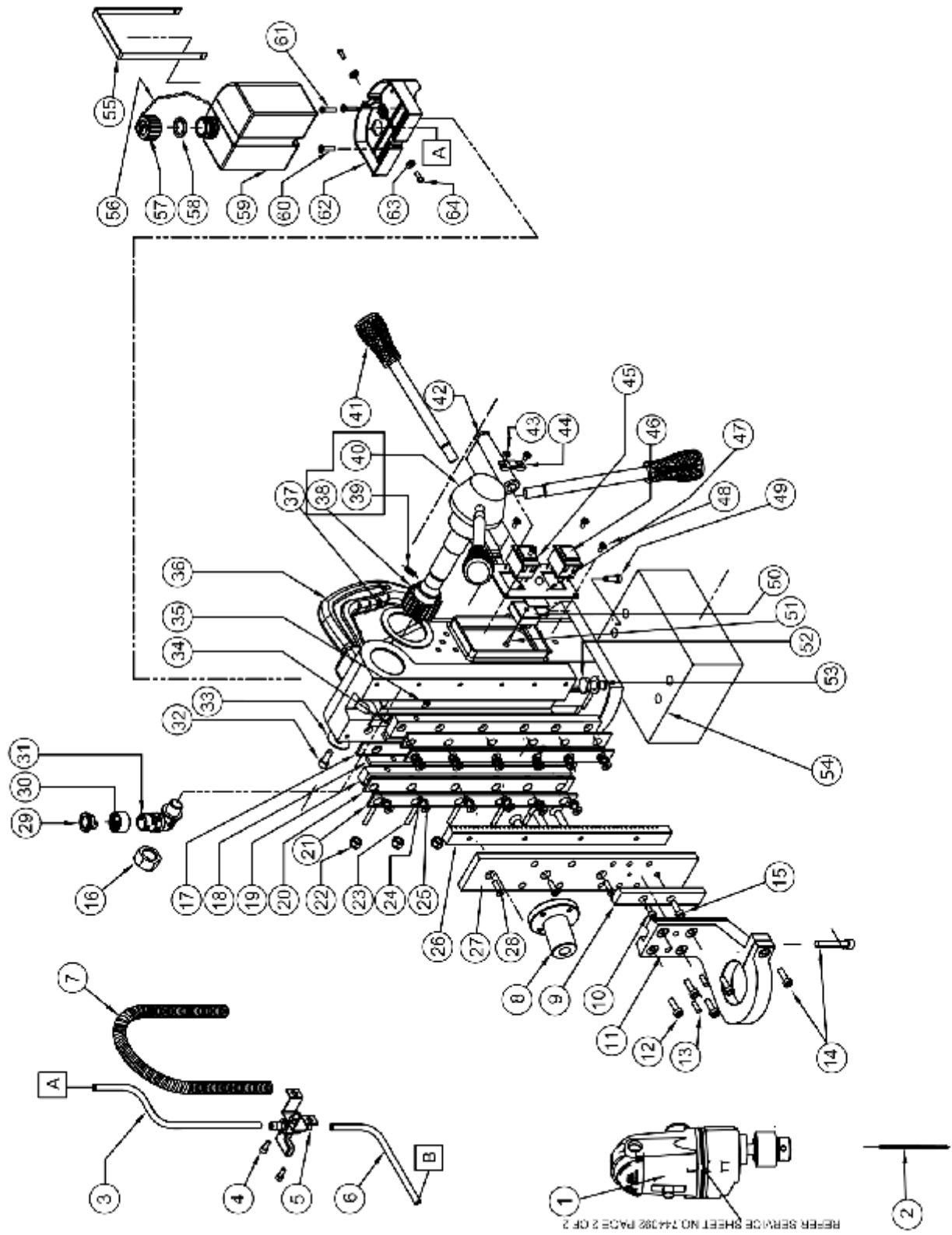
PRODUCT
KBR42 K1
MAGNETIC BROACH CUTTER





PRODUCT
KBR42 K1
MAGNETIC BROACH CUTTER

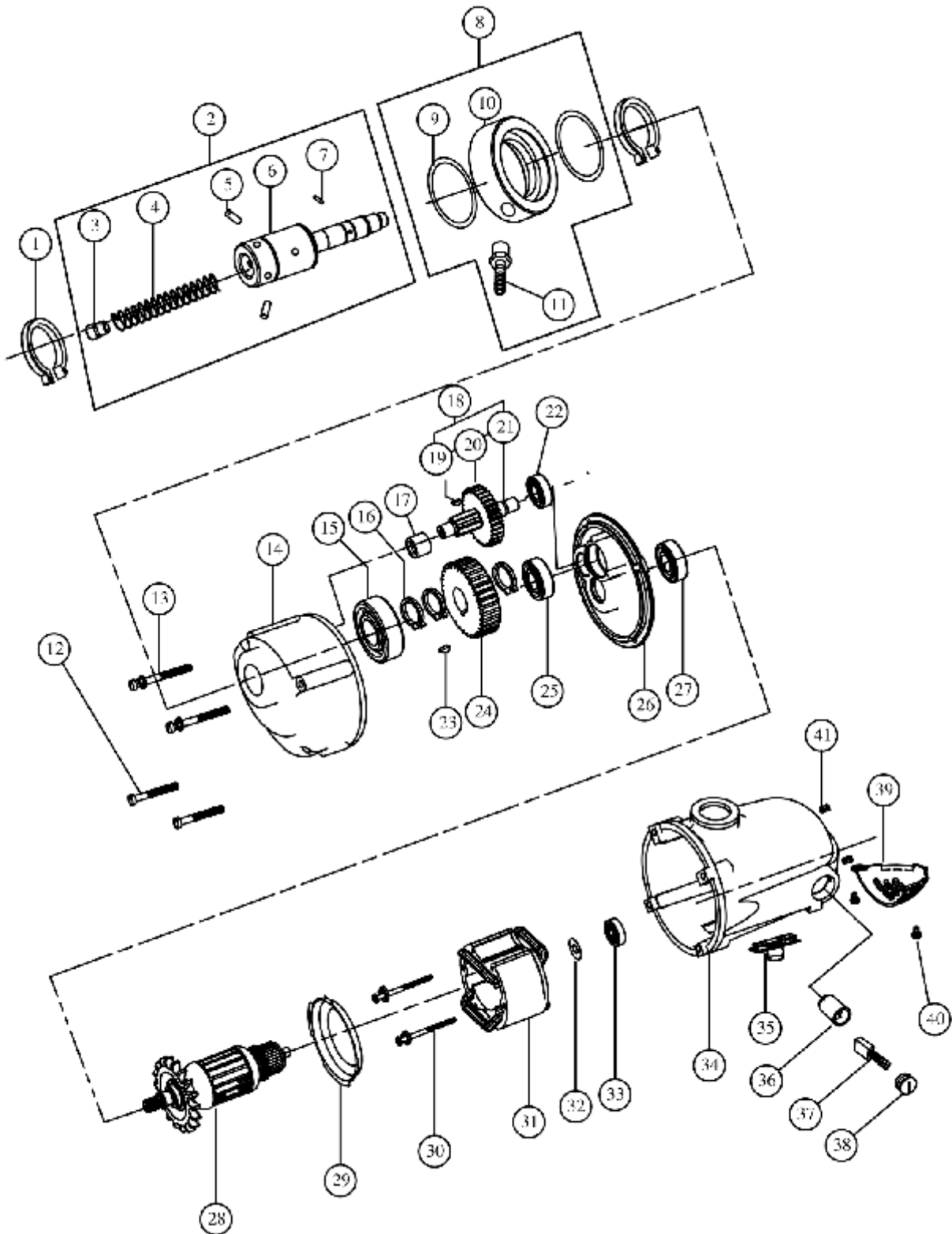




REFER SERVICE SHEET NO. T44282 PAGE 2 OF 2

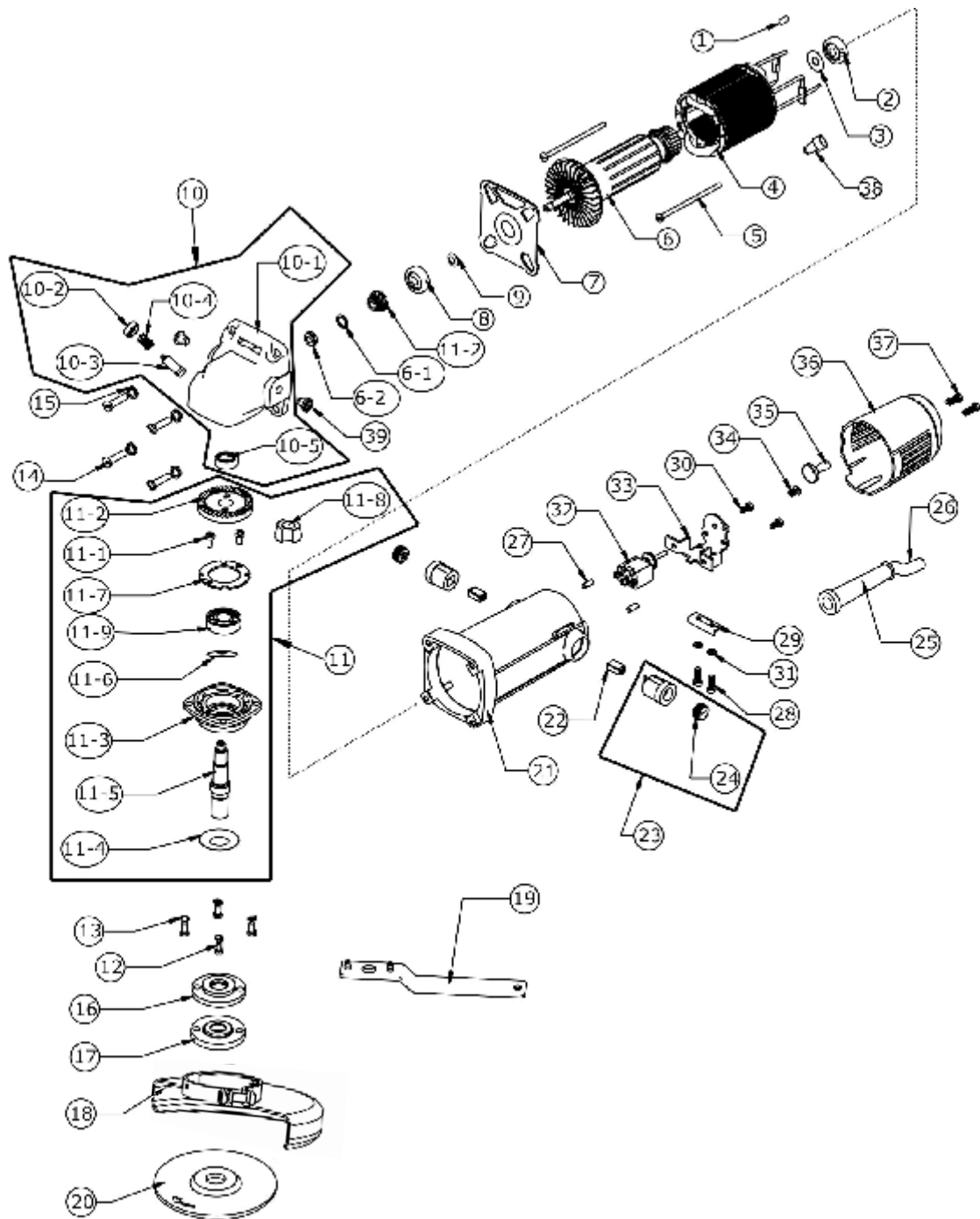
PRODUCT
KBC40
MAGNETIC BROACH CUTTER





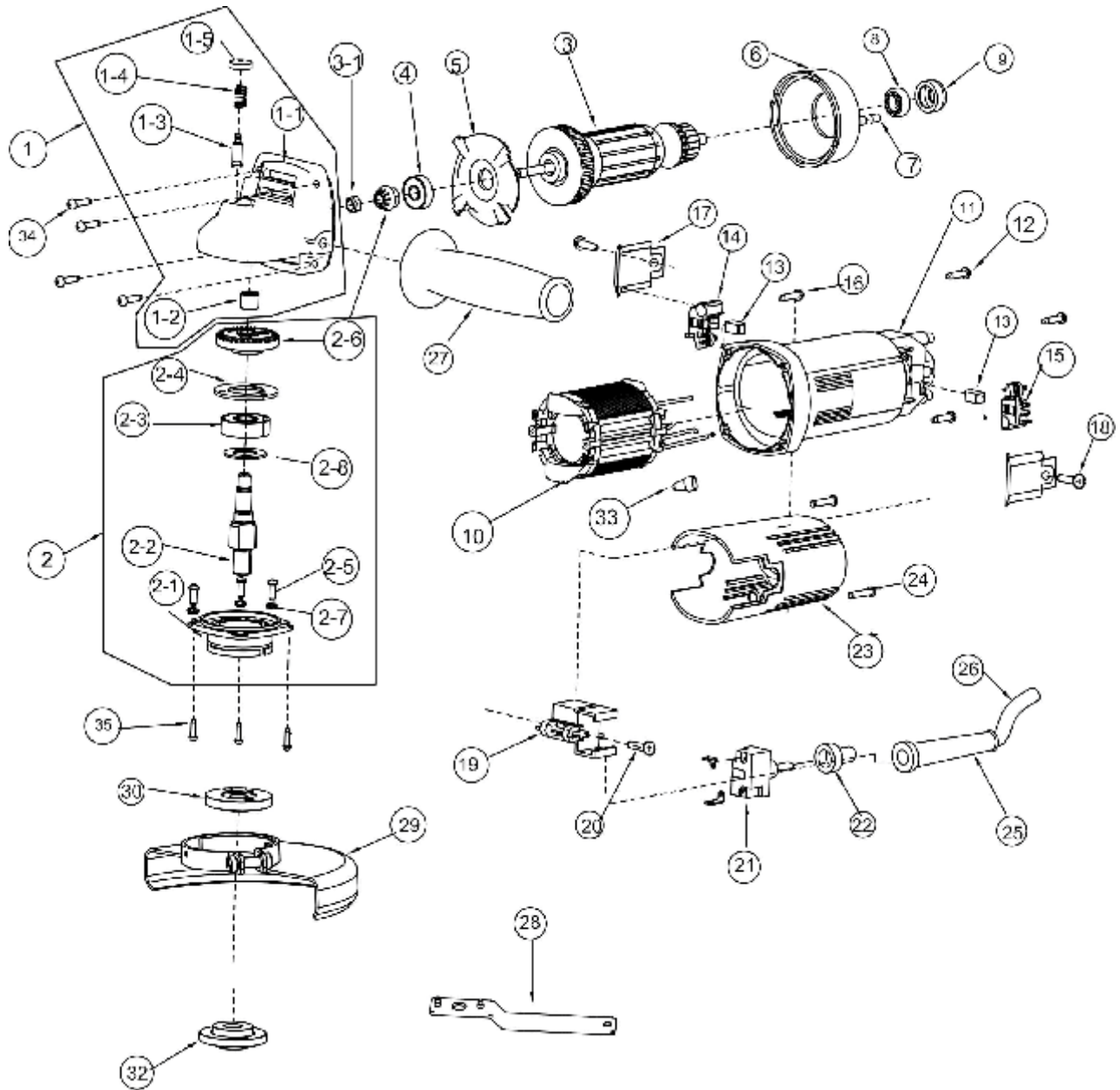
PRODUCT
KBRC40
MAGNETIC BROACH CUTTER





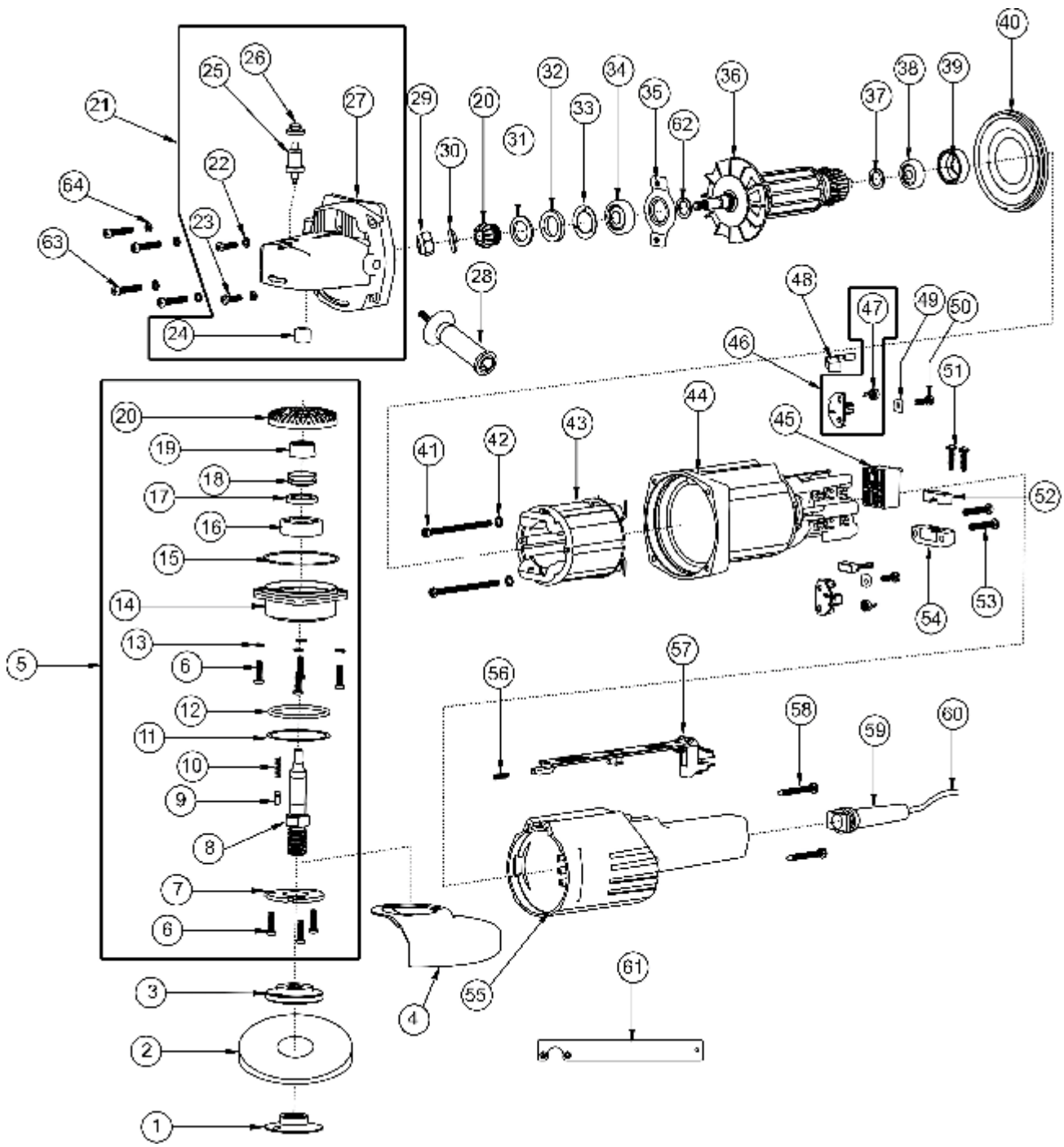
PRODUCT
P34-01 K1
100mm ANGLE GRINDER





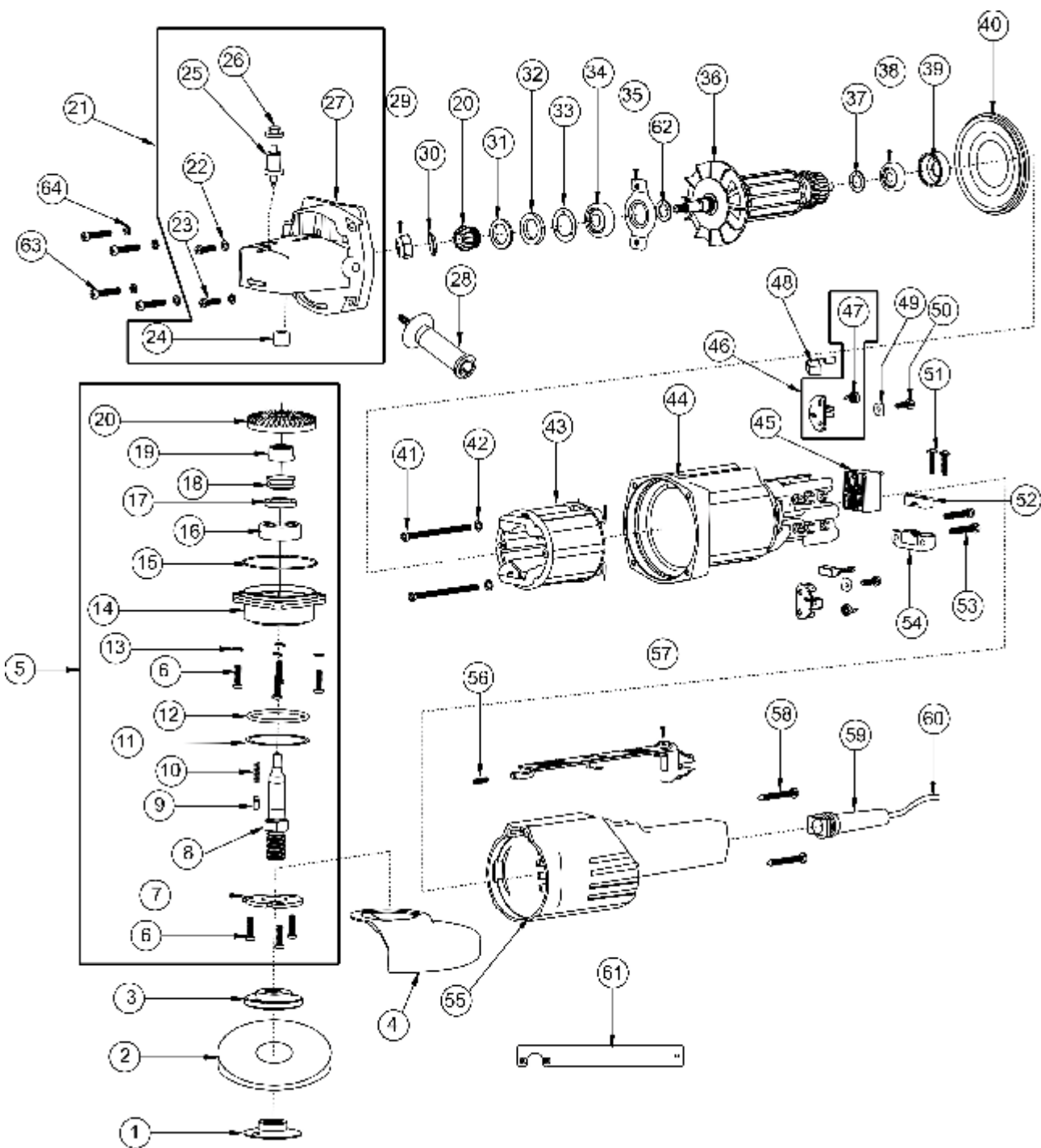
PRODUCT
KPT850-100 K1
100mm ANGLE GRINDER





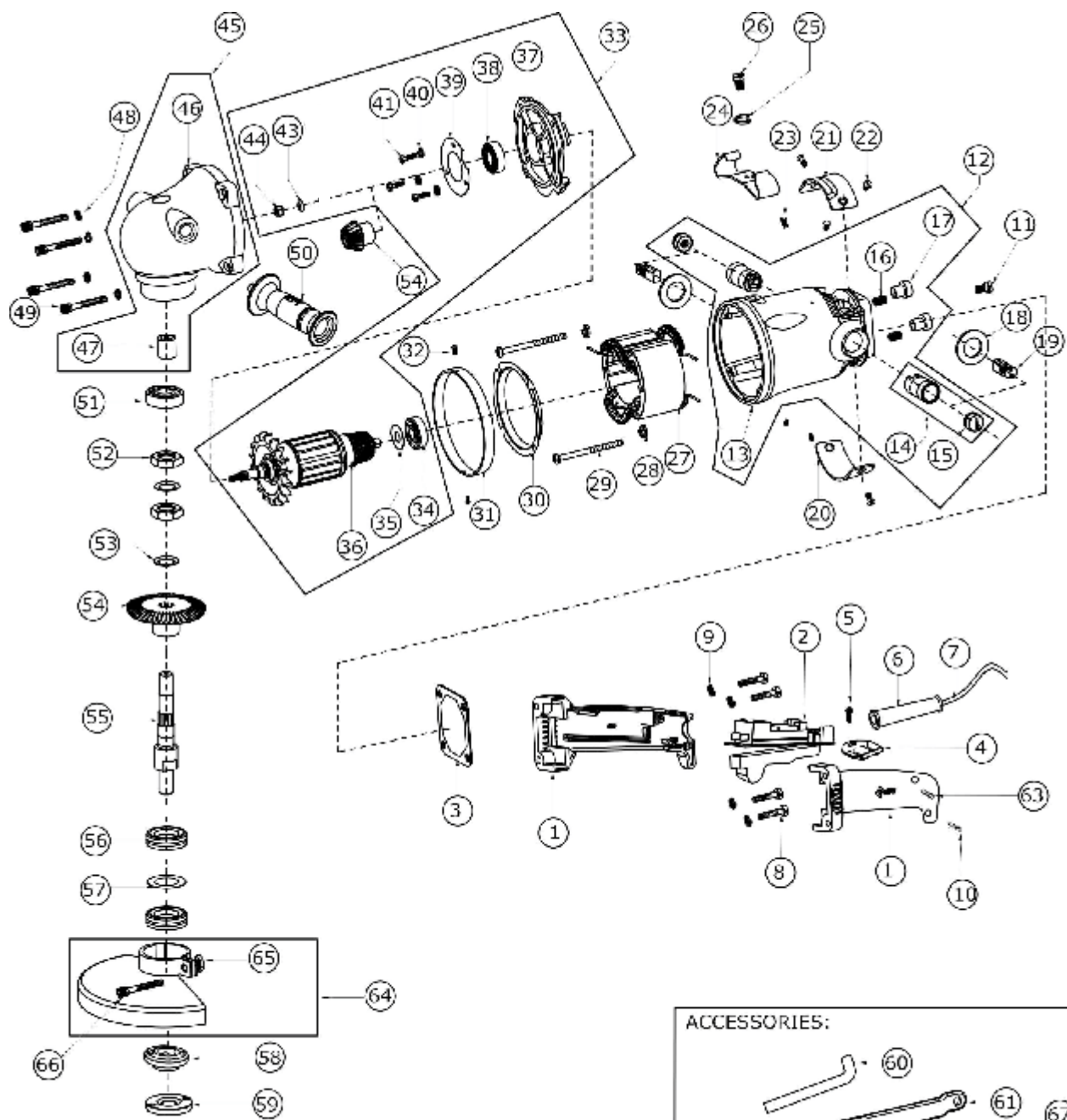
PRODUCT
P55-02 K3
5" ANGLE GRINDER



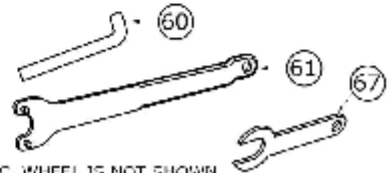


PRODUCT
KPT11-125 K1
125mm ANGLE GRINDER





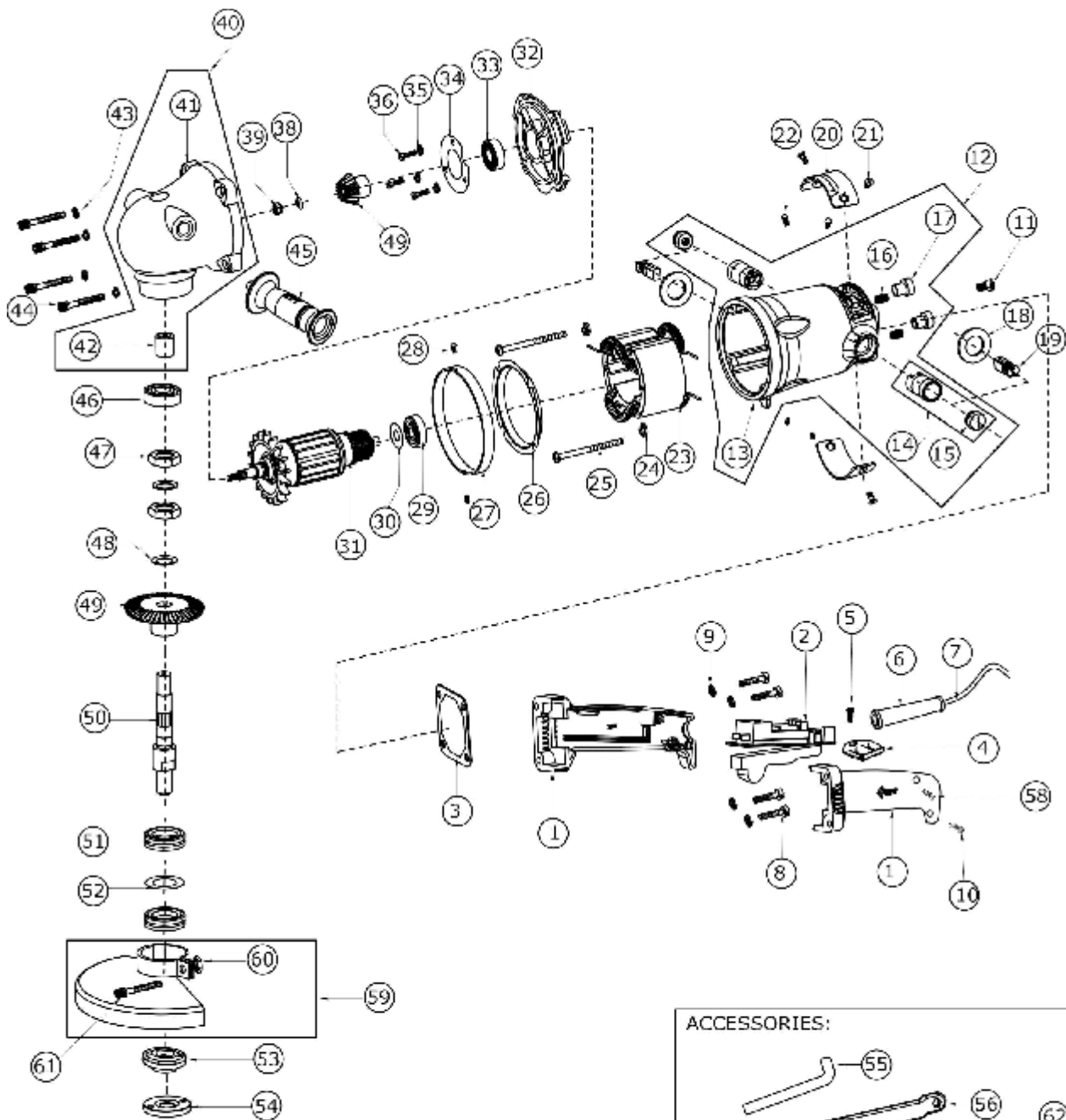
ACCESSORIES:



NOTE: D.C. WHEEL IS NOT SHOWN

PRODUCT
P57-91 K5
7" ANGLE GRINDER



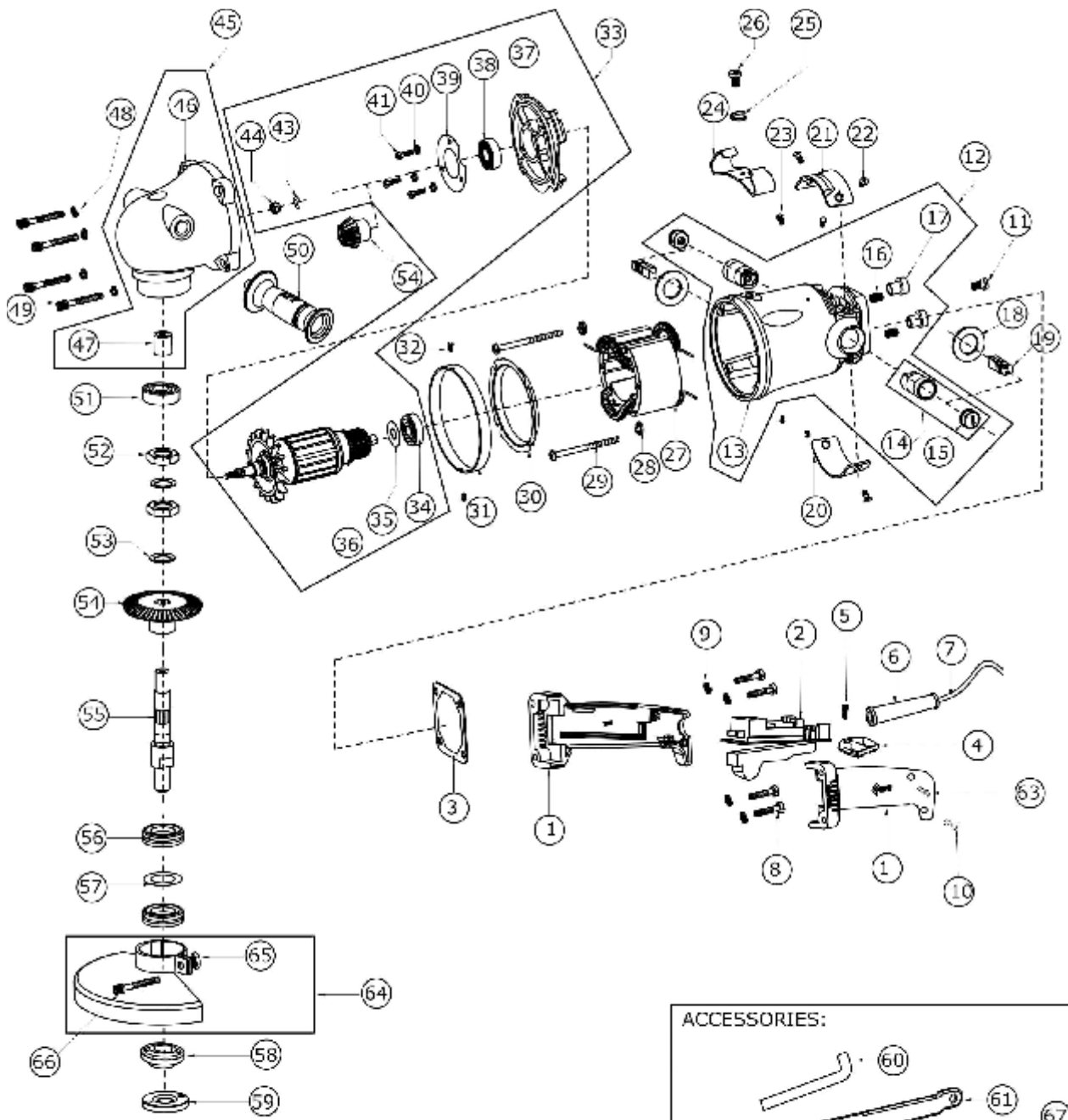


ACCESSORIES:

NOTE: D.C. WHEEL IS NOT SHOWN

PRODUCT
P57-91/24 K1
7"ANGLE GRINDER



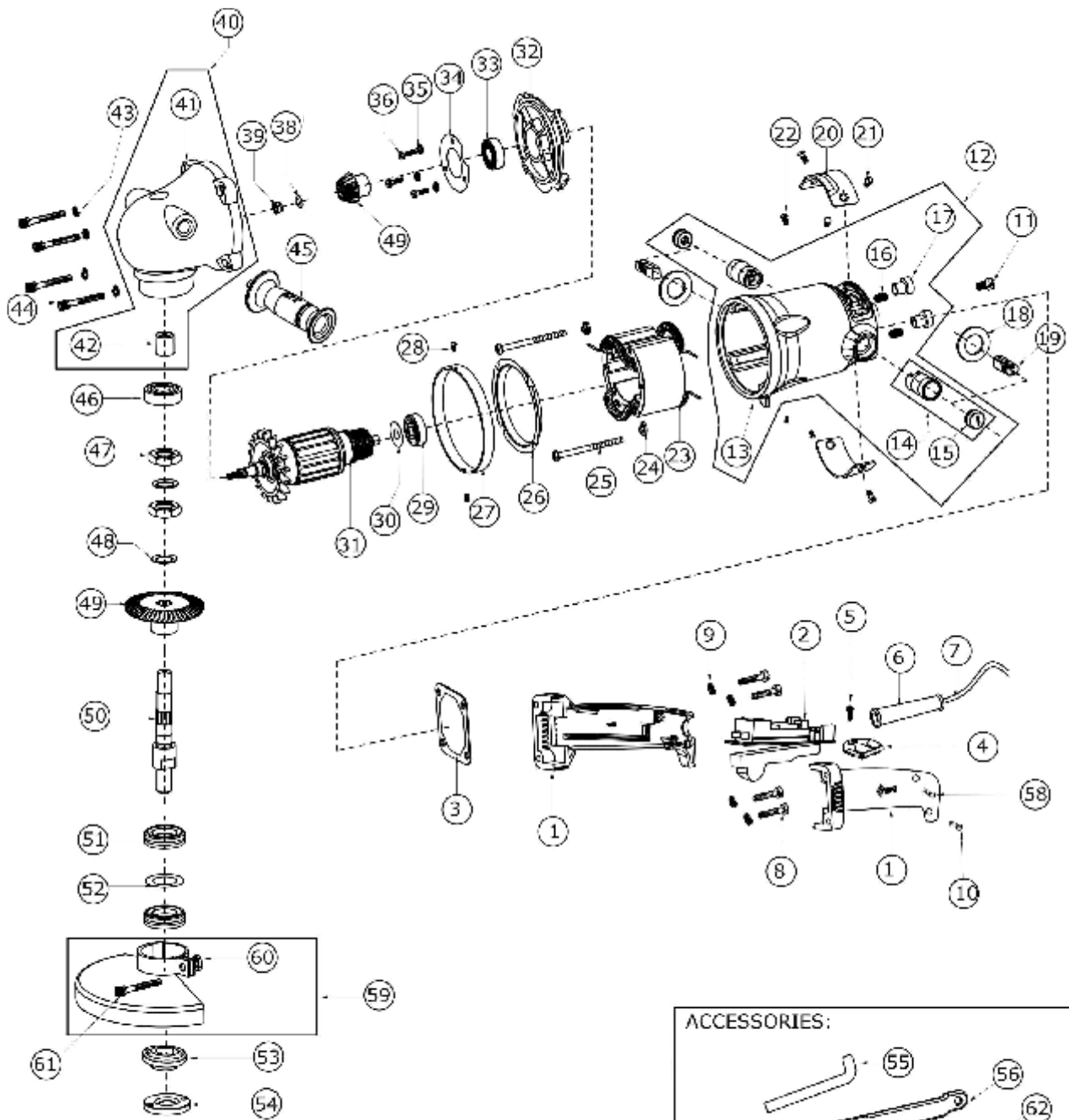


ACCESSORIES:

NOTE: D.C. WHEEL IS NOT SHOWN

PRODUCT
P59-91 K5
9°ANGLE GRINDER





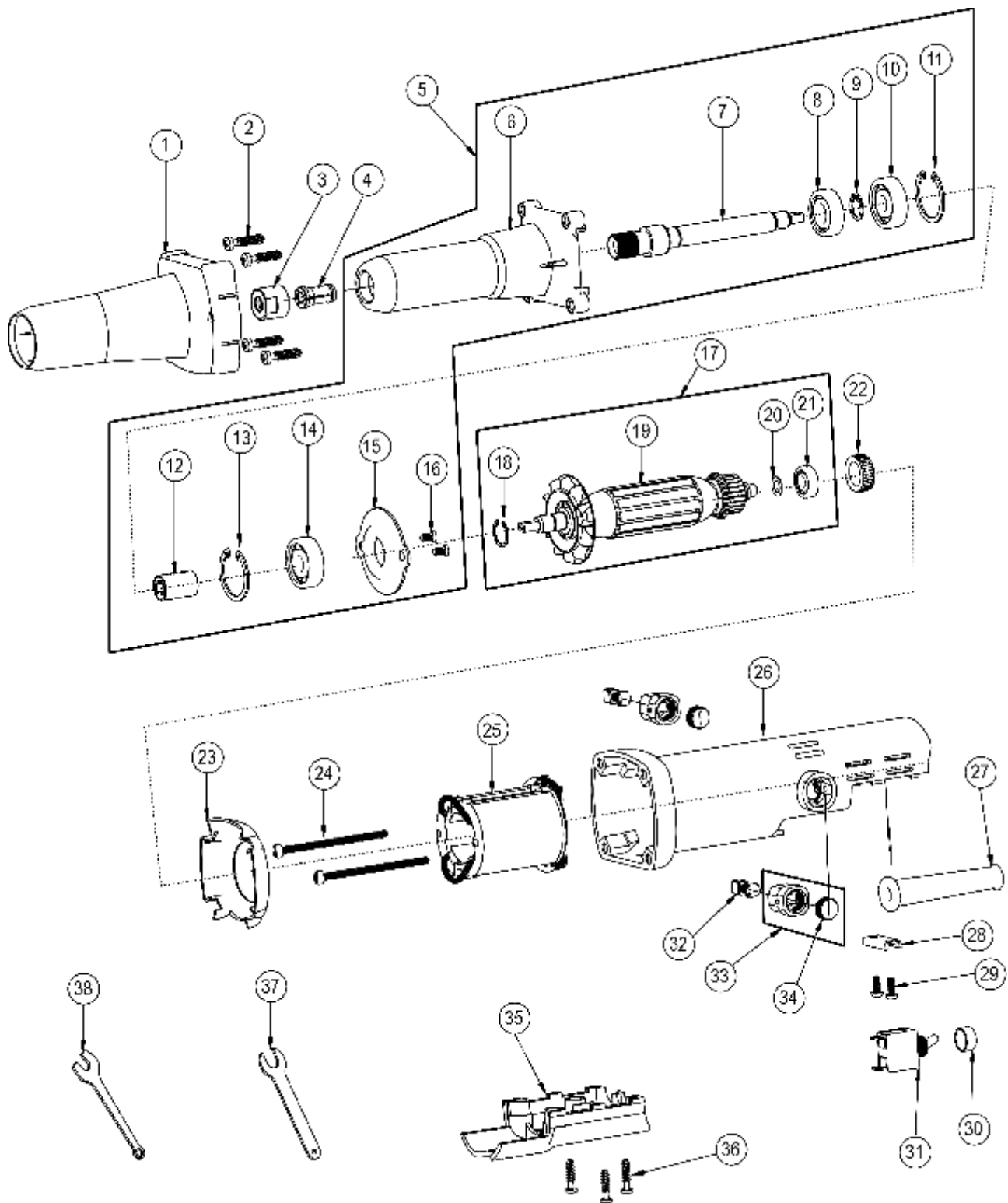
ACCESSORIES:



NOTE: D.C. WHEEL IS NOT SHOWN

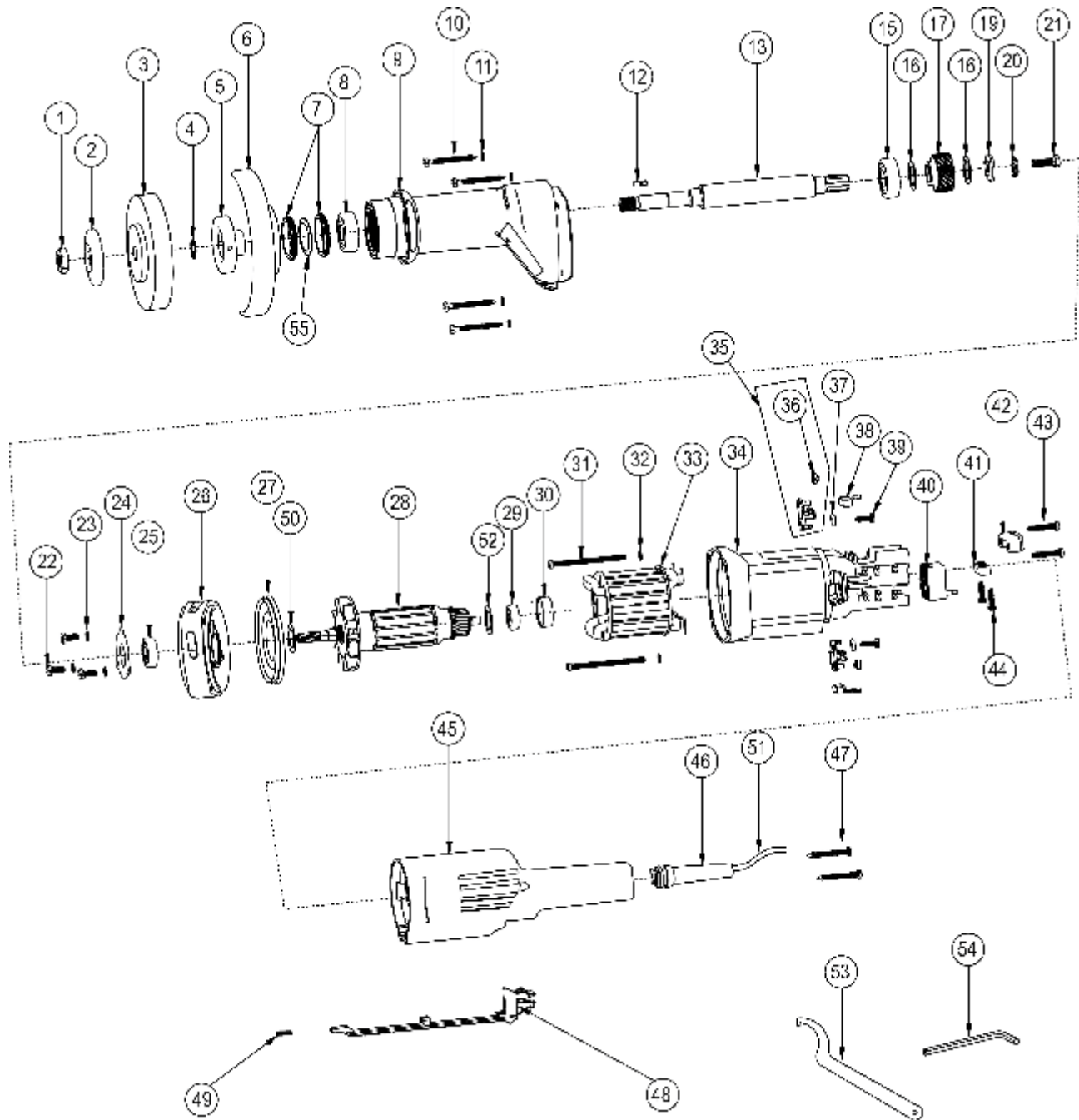
PRODUCT
P59-91/24 K1
9"ANGLE GRINDER





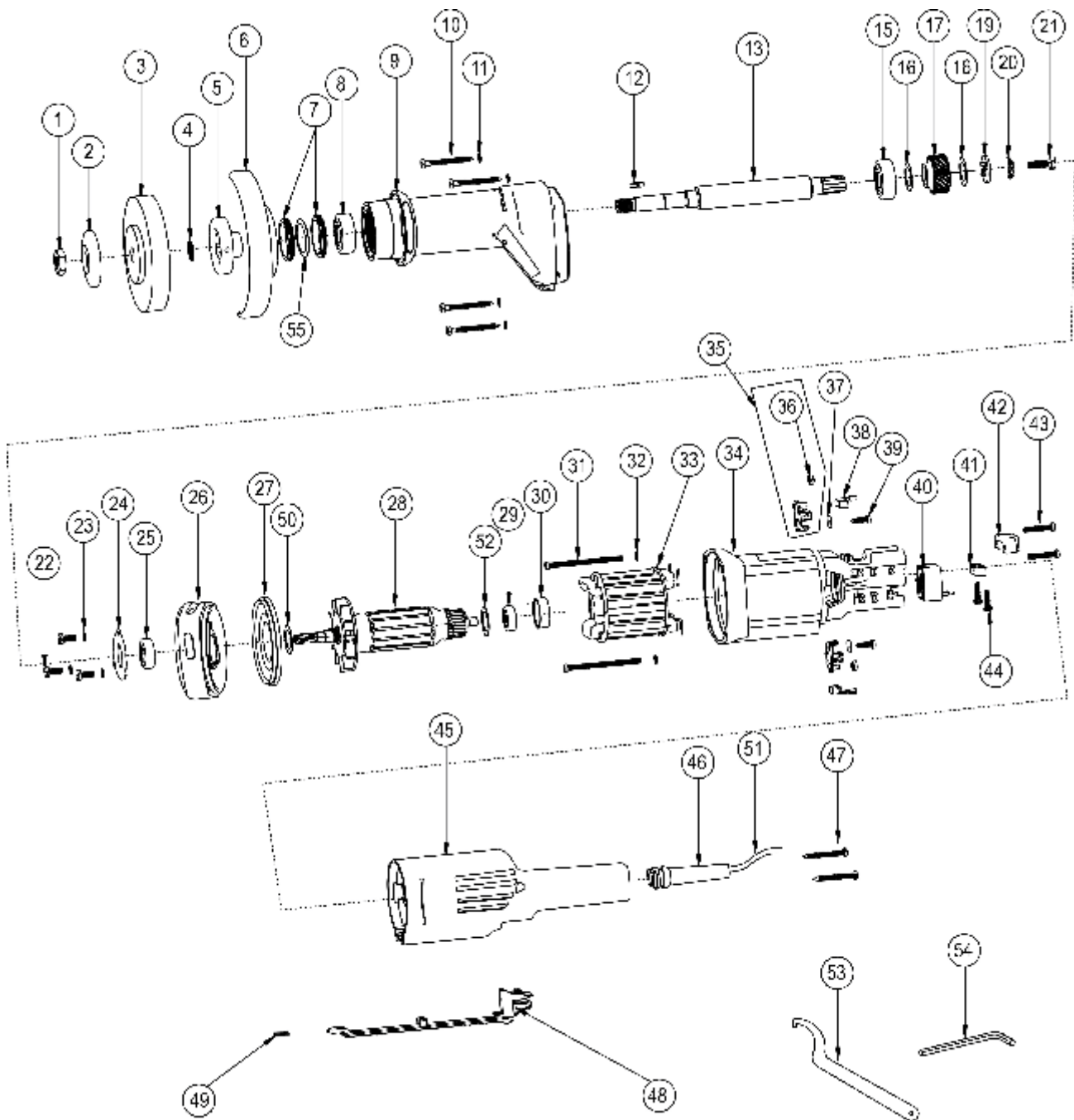
PRODUCT
K-600 K1
DIE GRINDER





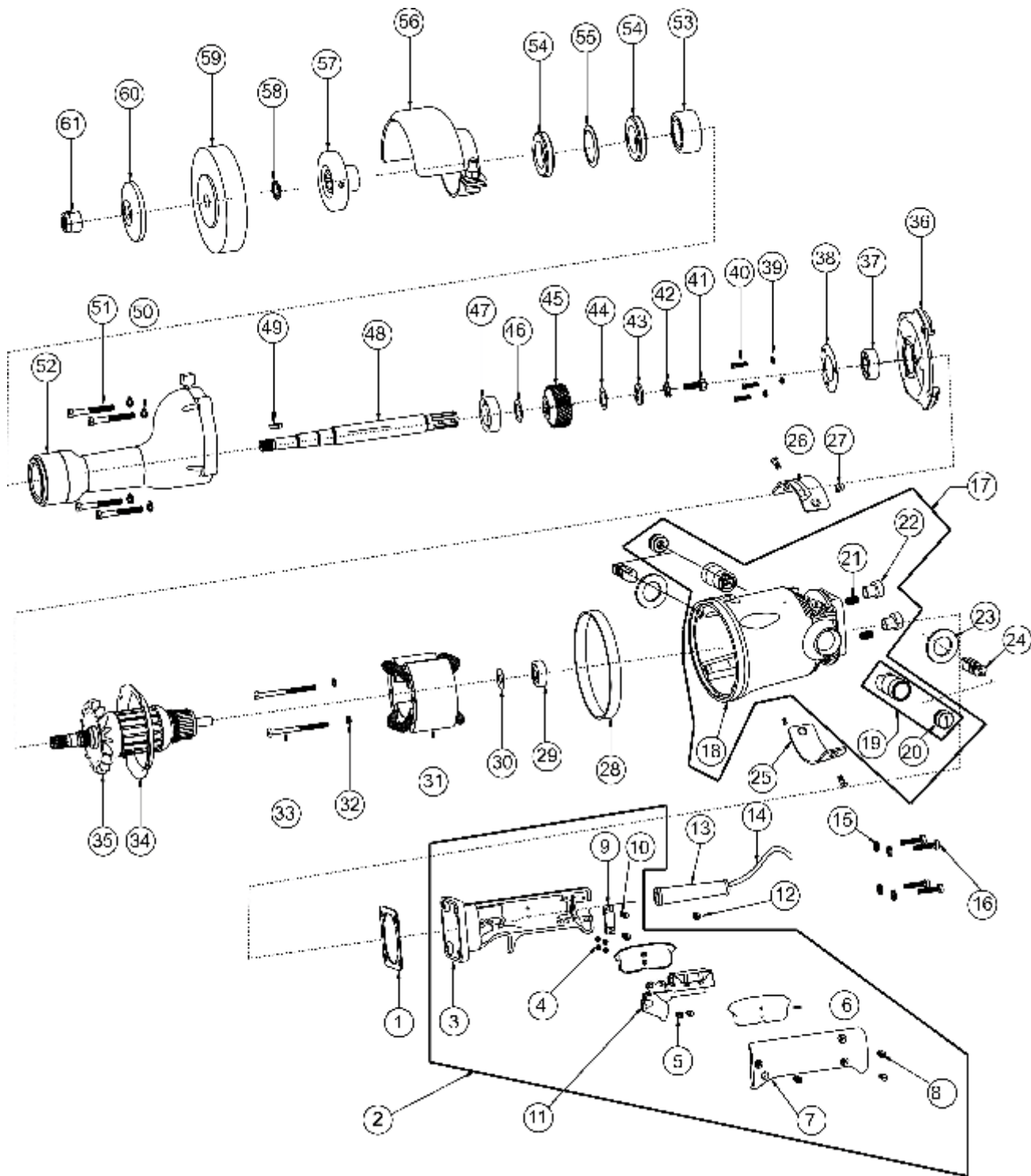
PRODUCT
P44-01 K2
100 mm STRAIGHT GRINDER





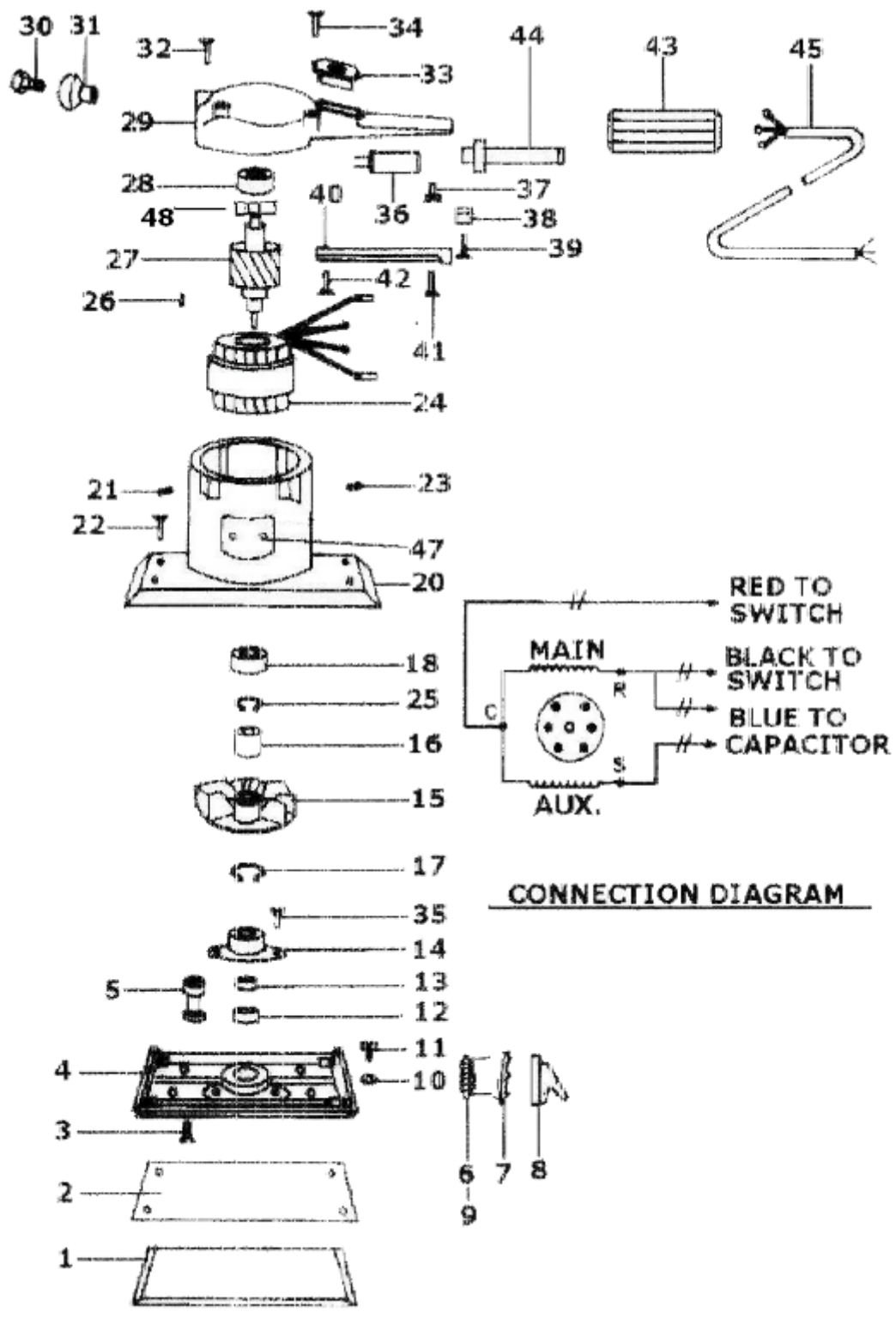
PRODUCT
P44-01HW K1
100 mm STRAIGHT GRINDER





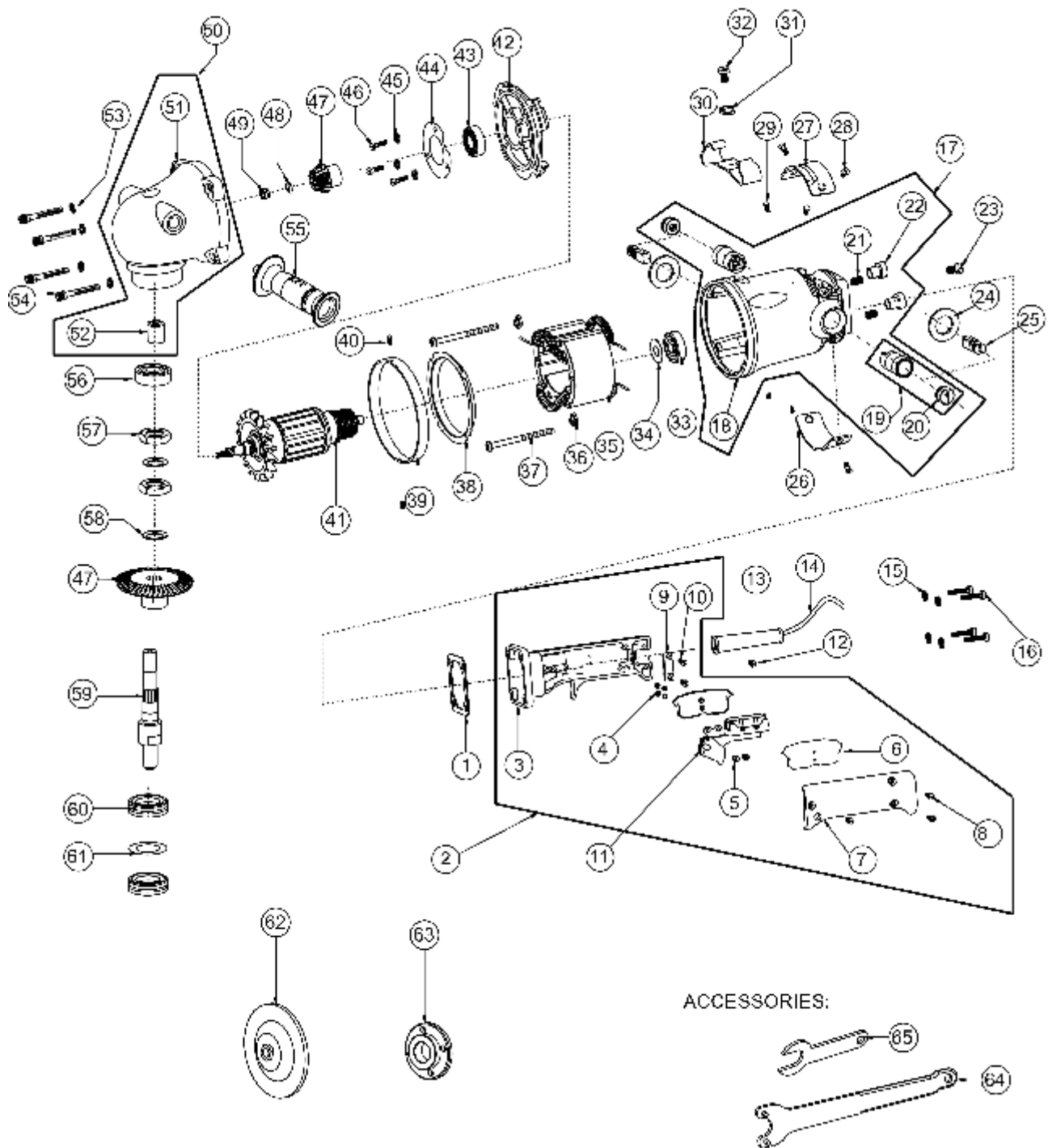
PRODUCT
HD1290 K3
(100mm) SUPER DUTY STRAIGHT GRINDER





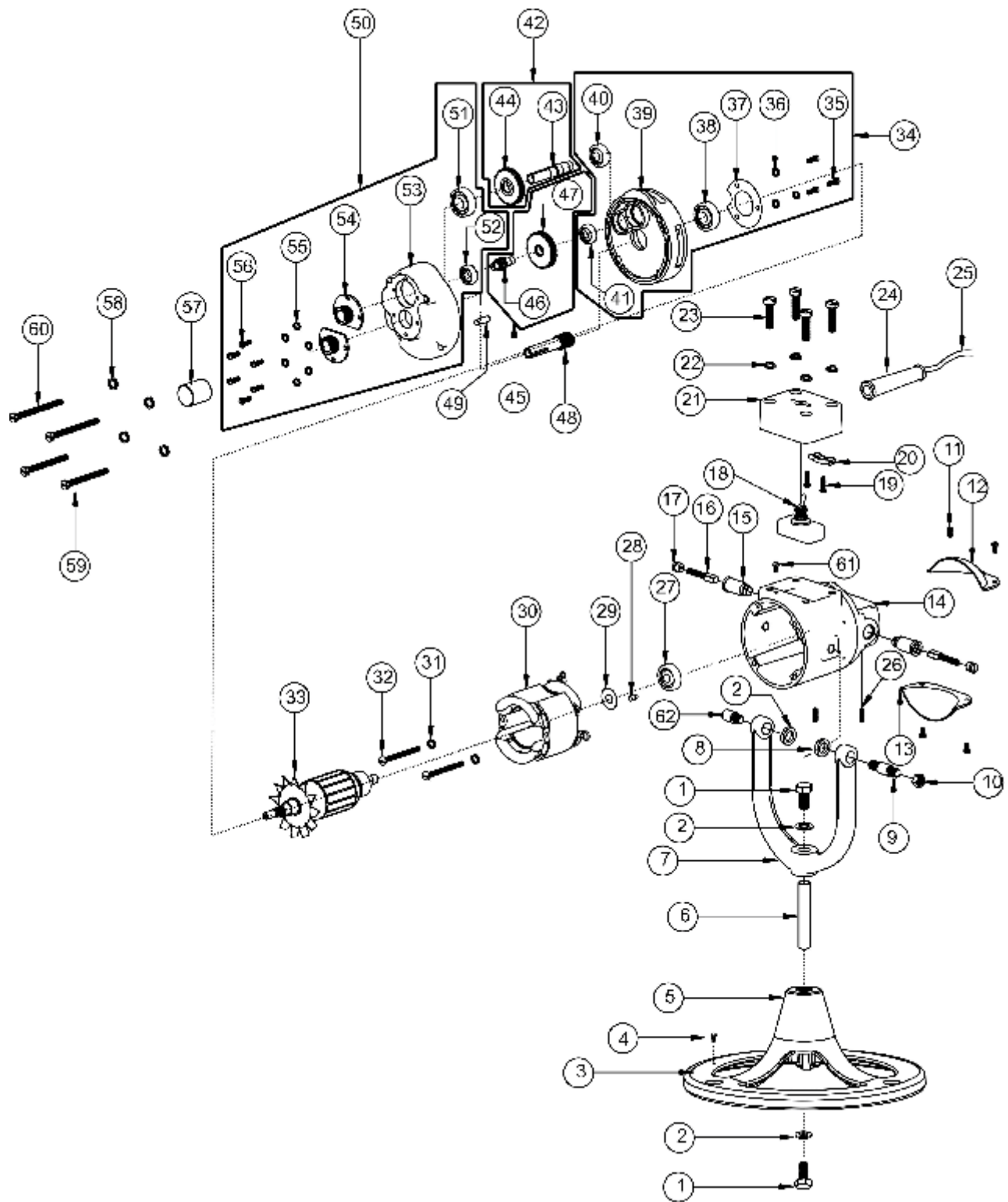
PRODUCT
KOS K1
ORBITAL SANDER





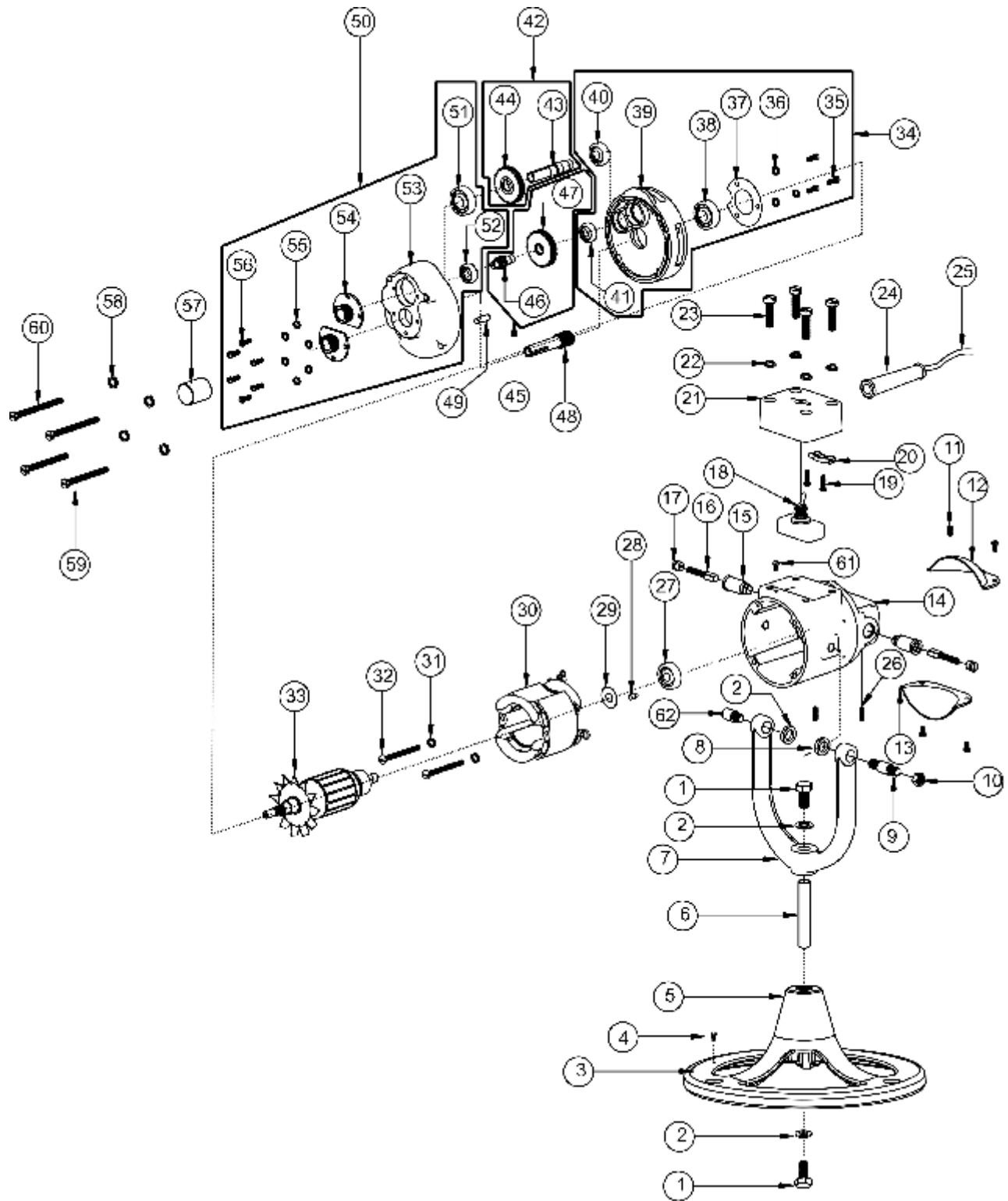
PRODUCT
HD1285 K4
180mm SANDER POLISHER





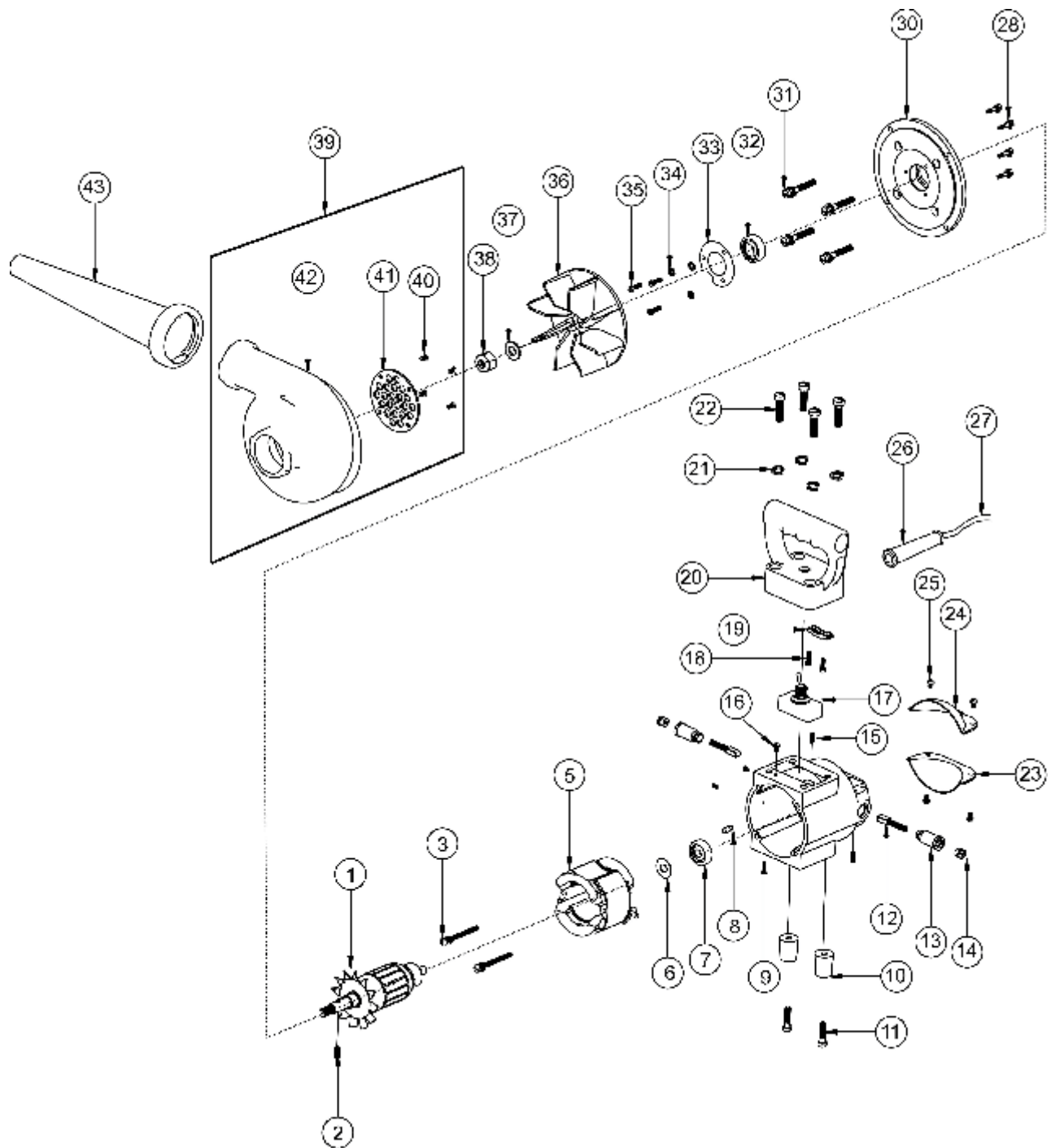
PRODUCT
KF-2 K1
FLEXIBLE SHAFT GRINDER 2 SPEED





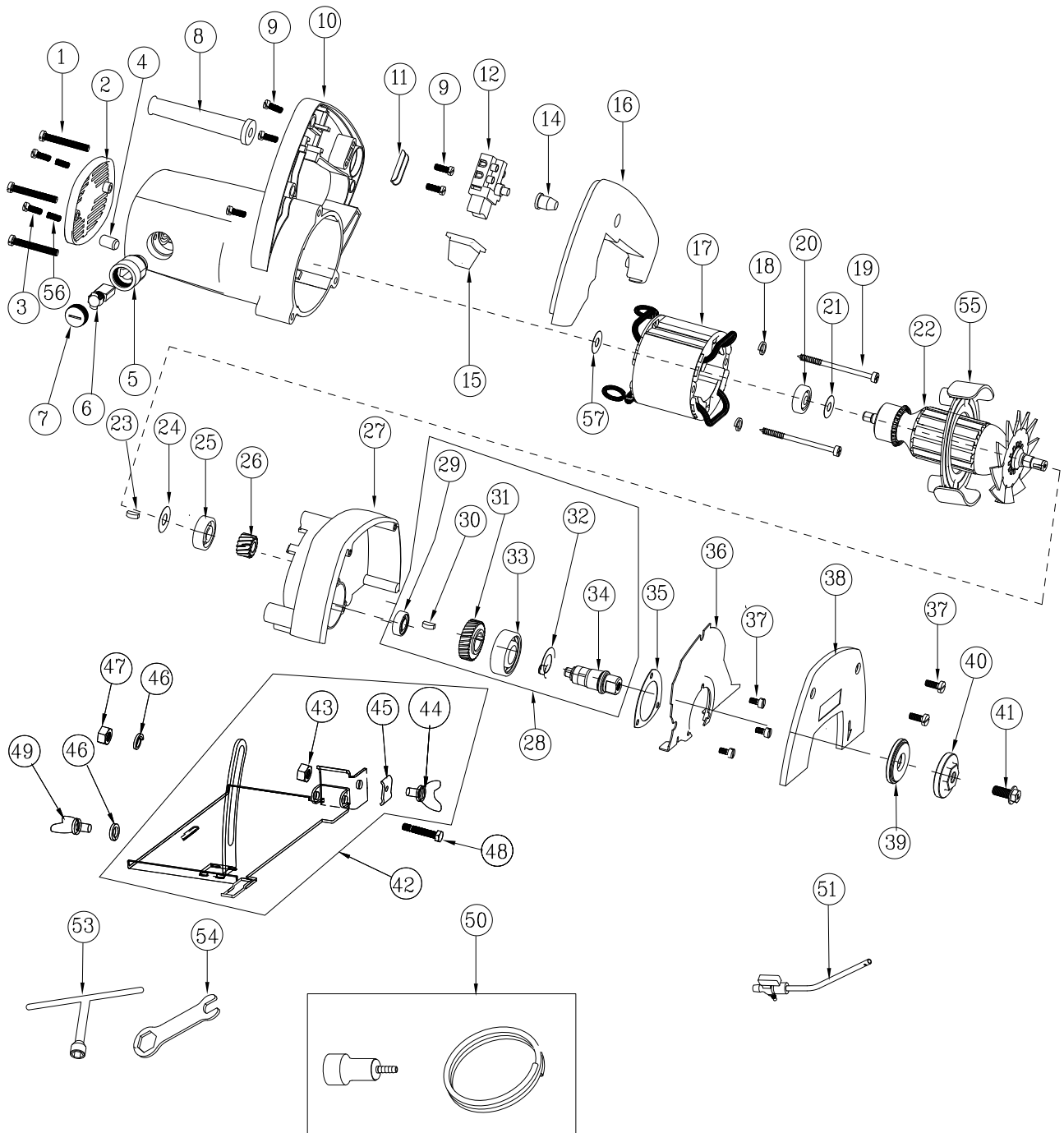
PRODUCT
KF-2HW K1
FLEXIBLE SHAFT GRINDER 2 SPEED





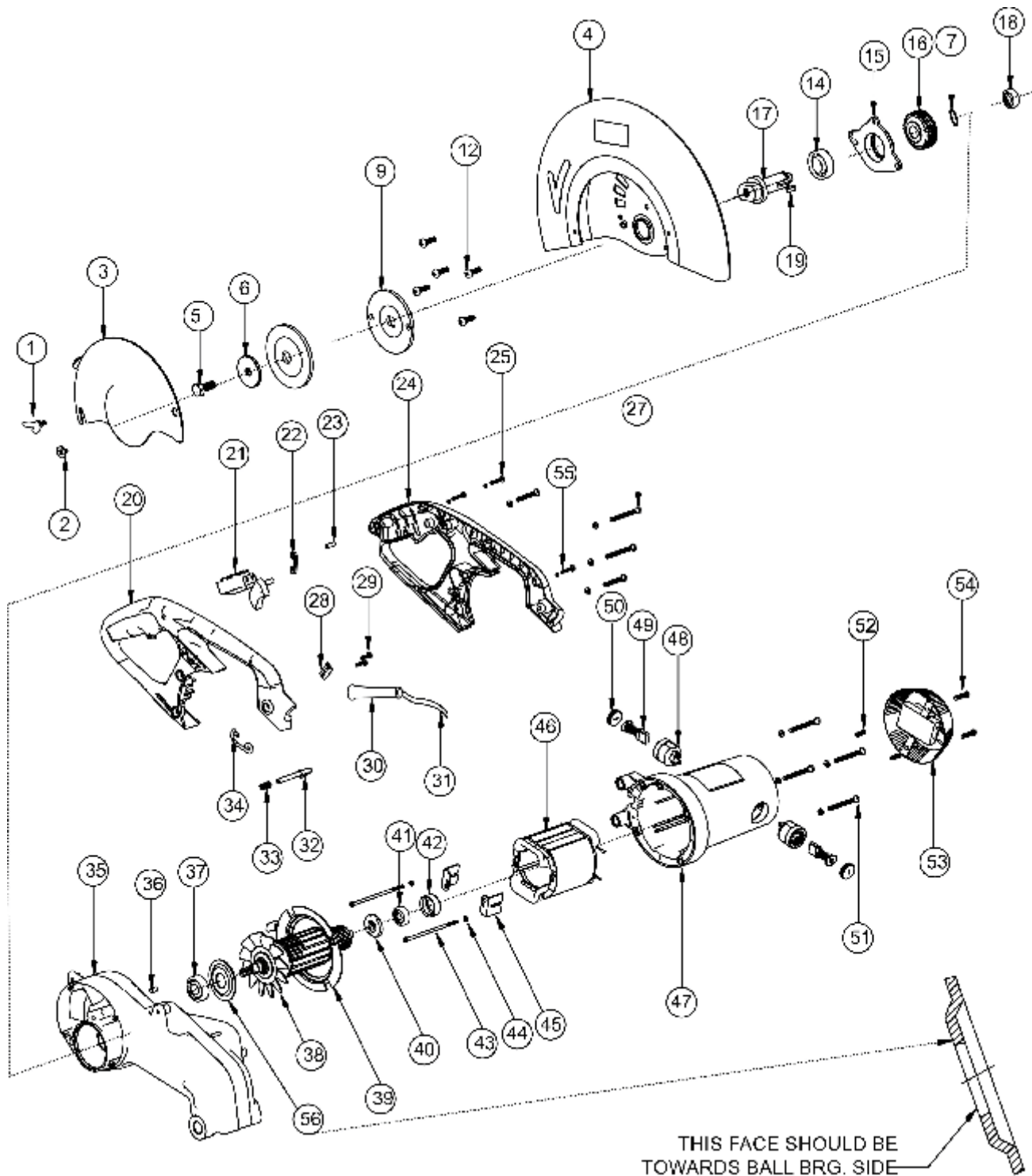
PRODUCT
KWB350 K1
BLOWER





PRODUCT
KM4SA K4
125mm TILE CUTTER

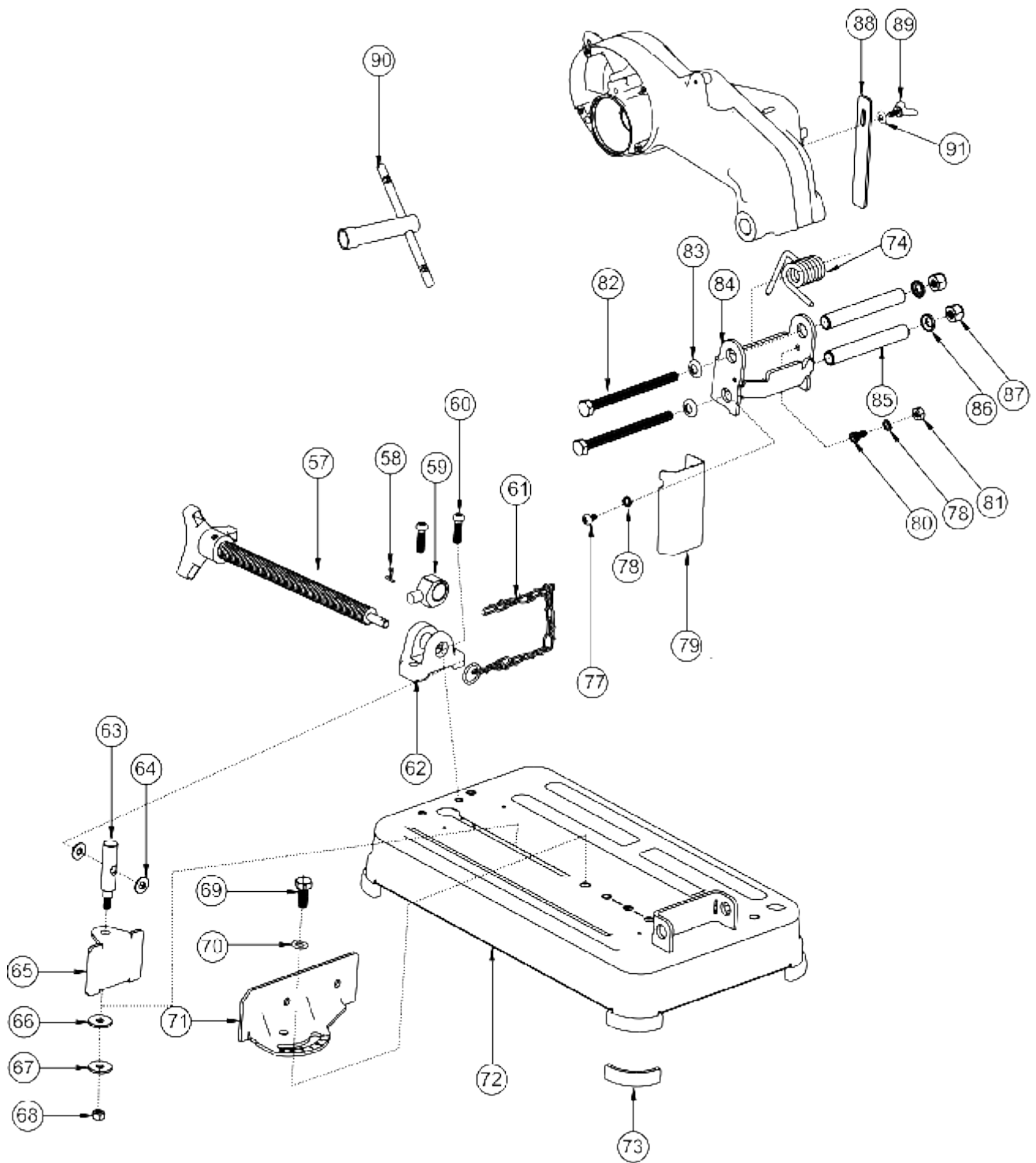




THIS FACE SHOULD BE
TOWARDS BALL BRG. SIDE

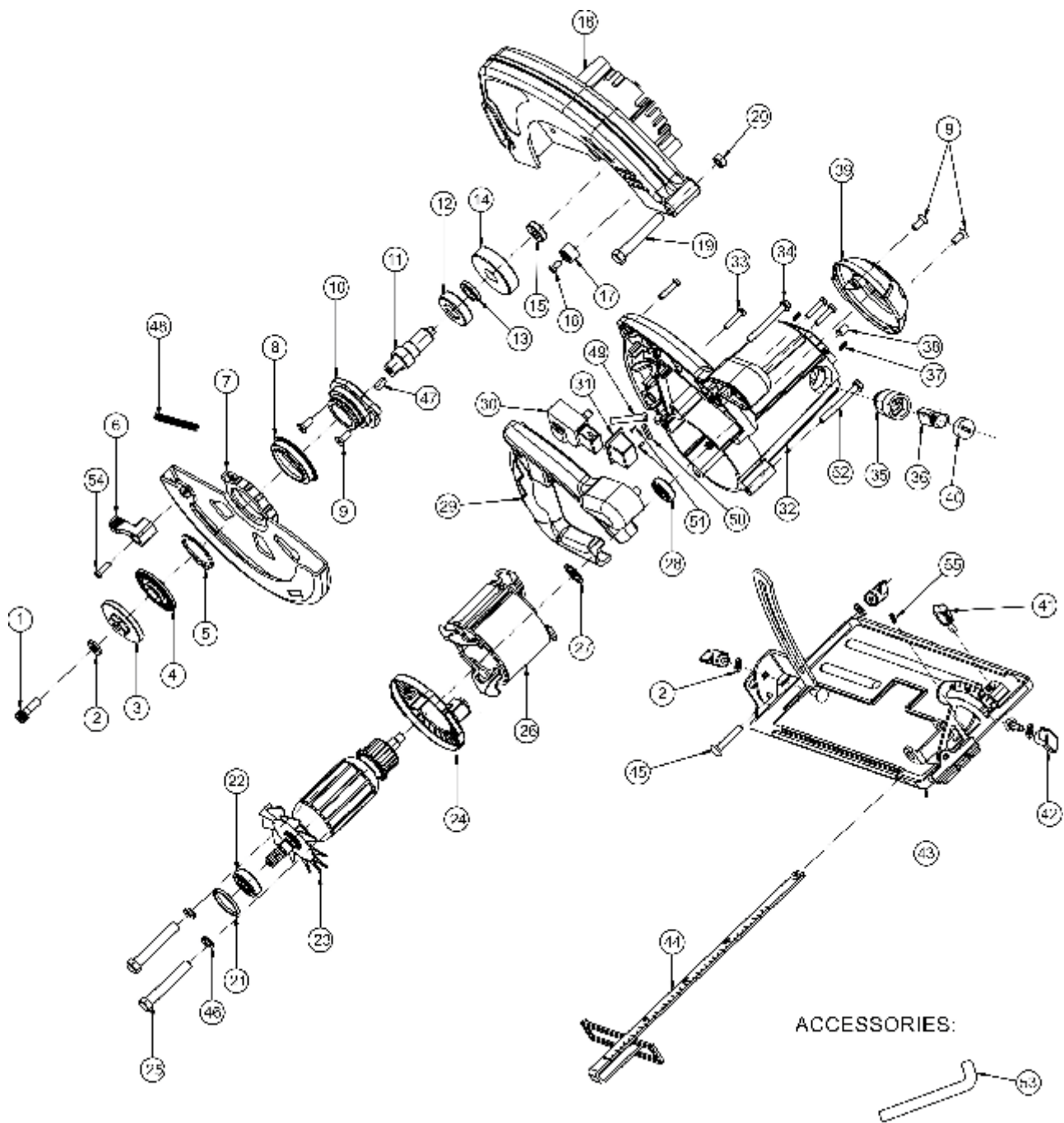
PRODUCT
KC355+ K1
CUT OFF SAW





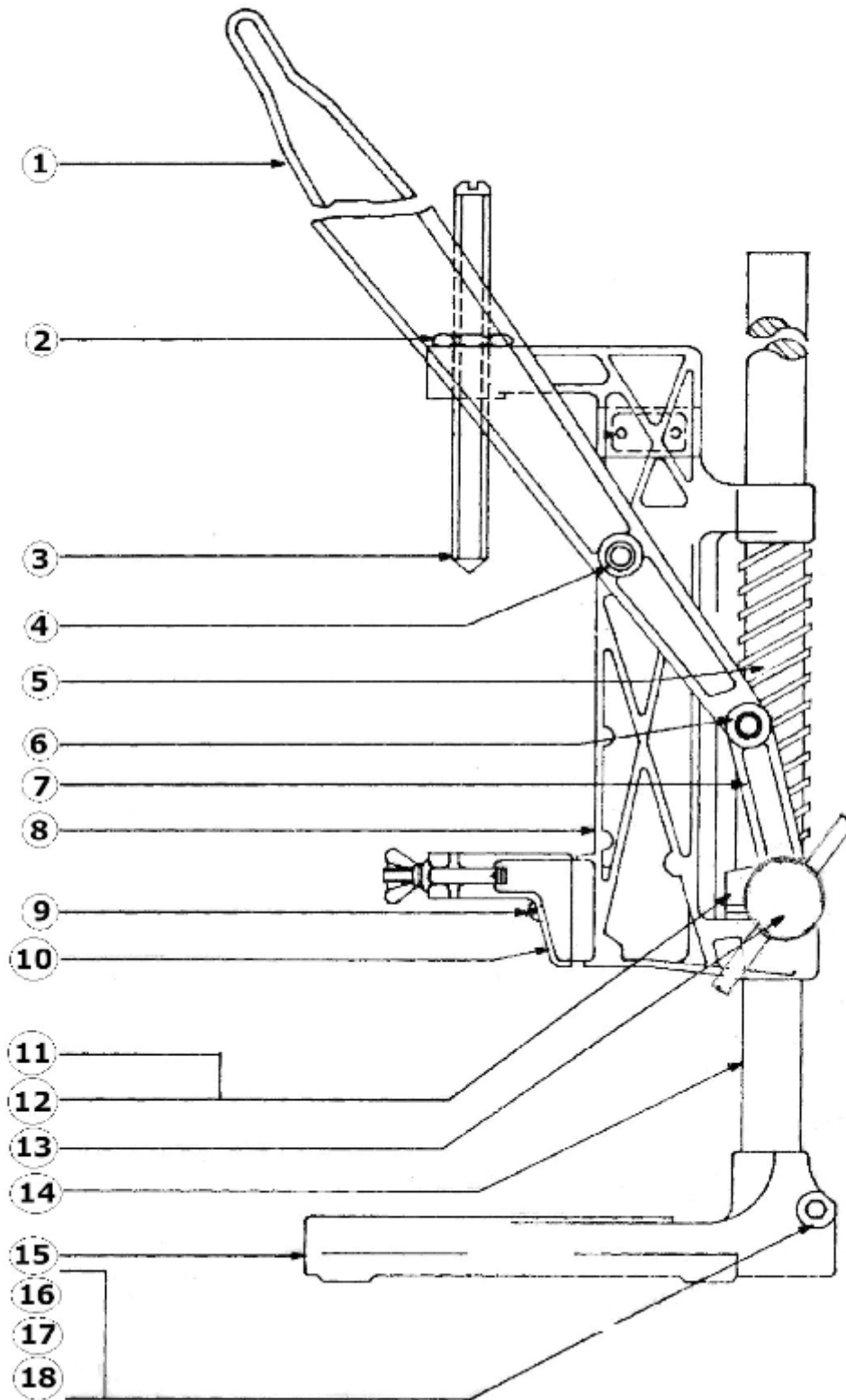
PRODUCT
KC355+ K1
CUT OFF SAW





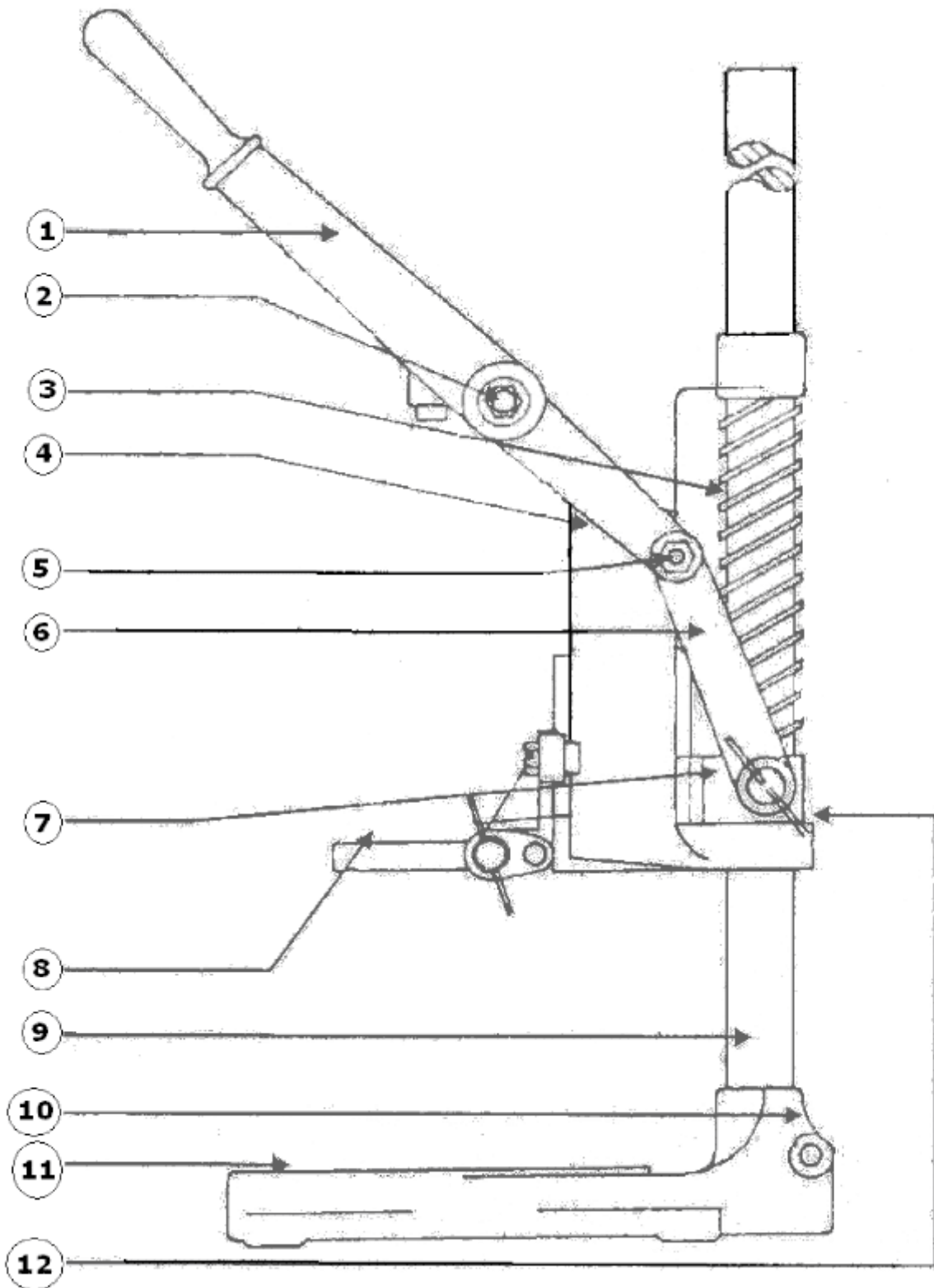
PRODUCT
KCS190 K1
190mm CIRCULAR SAW





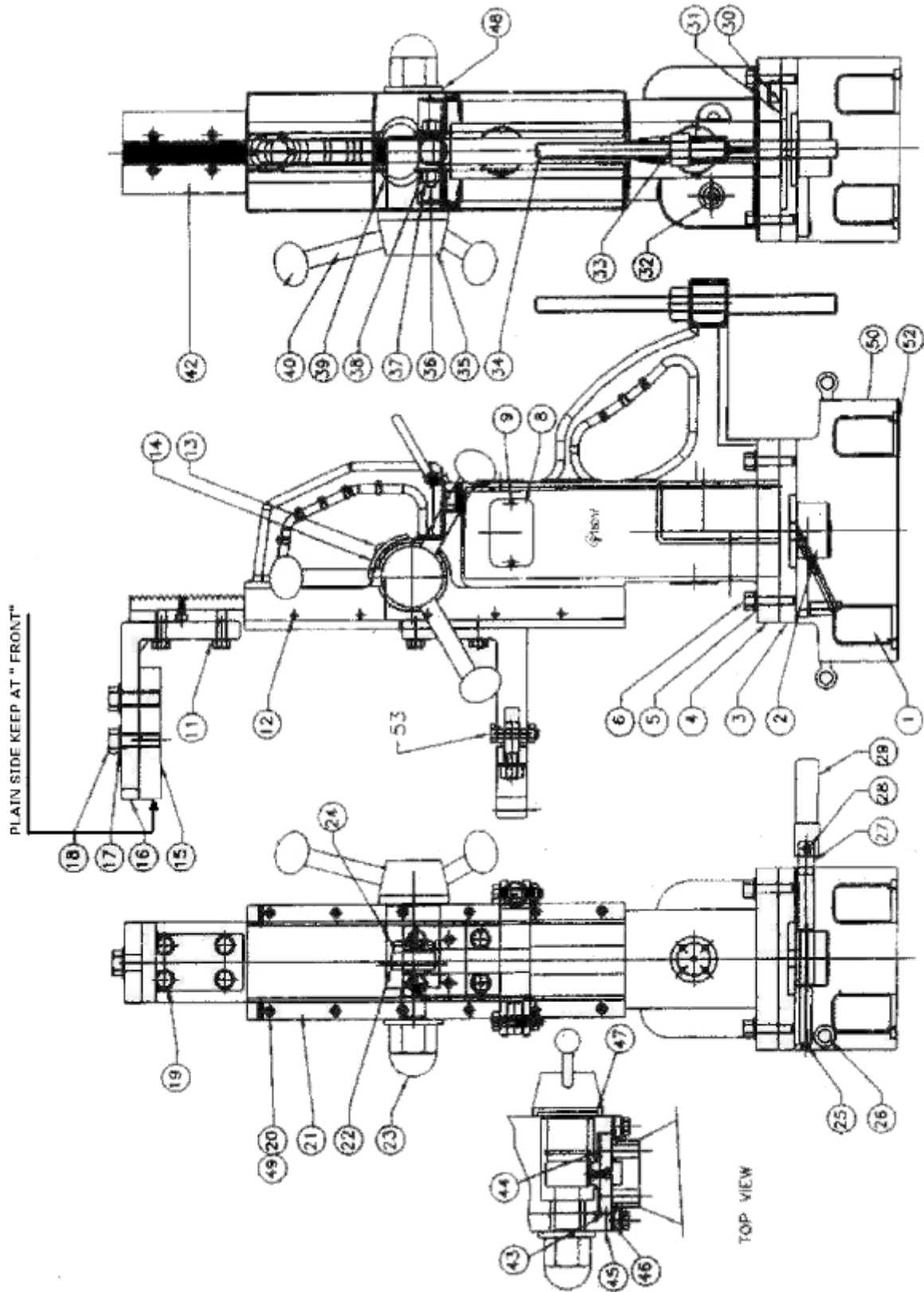
PRODUCT
GD 70 K4
BENCH DRILL STAND





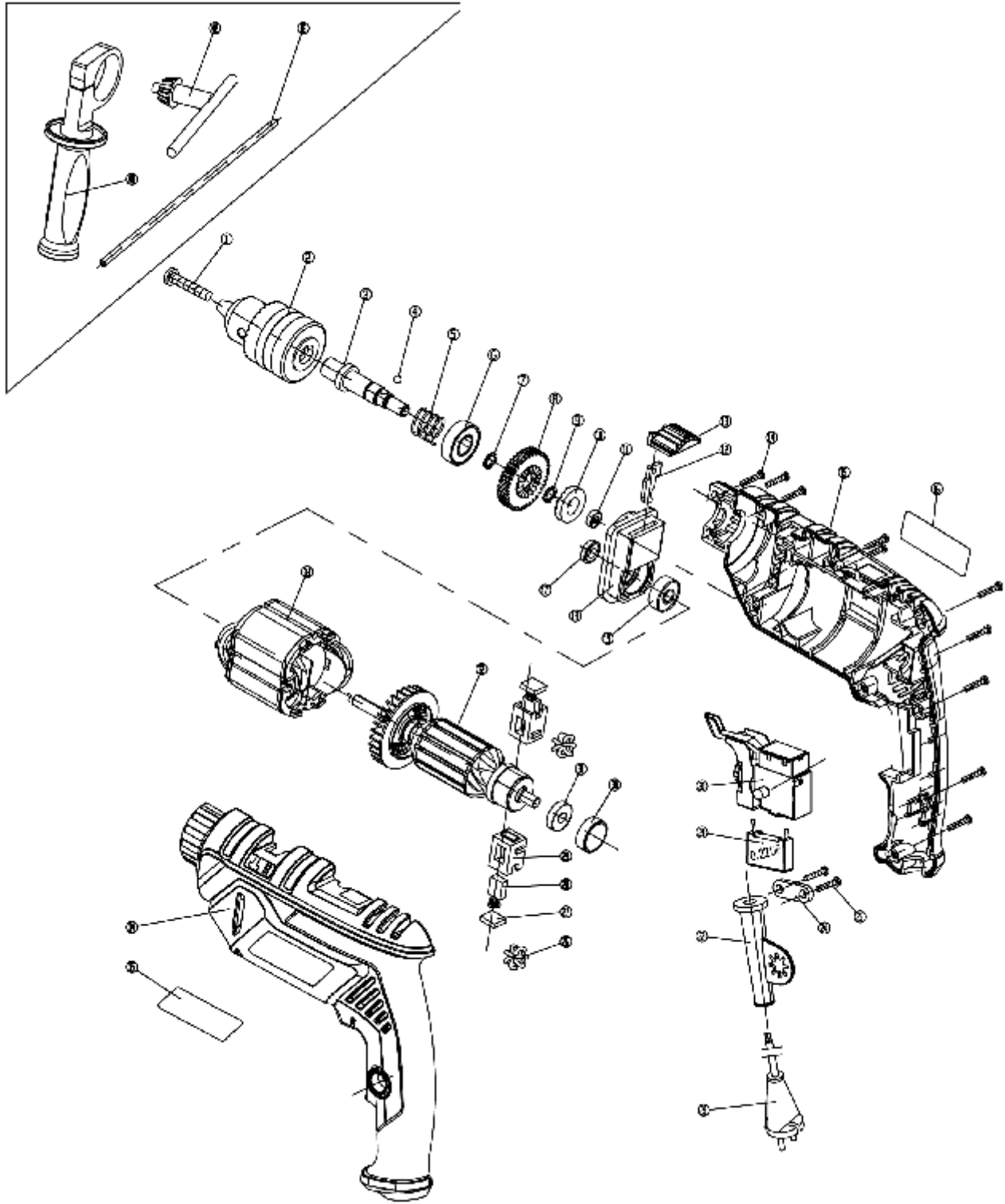
PRODUCT
GD 60 K1
BENCH DRILL STAND





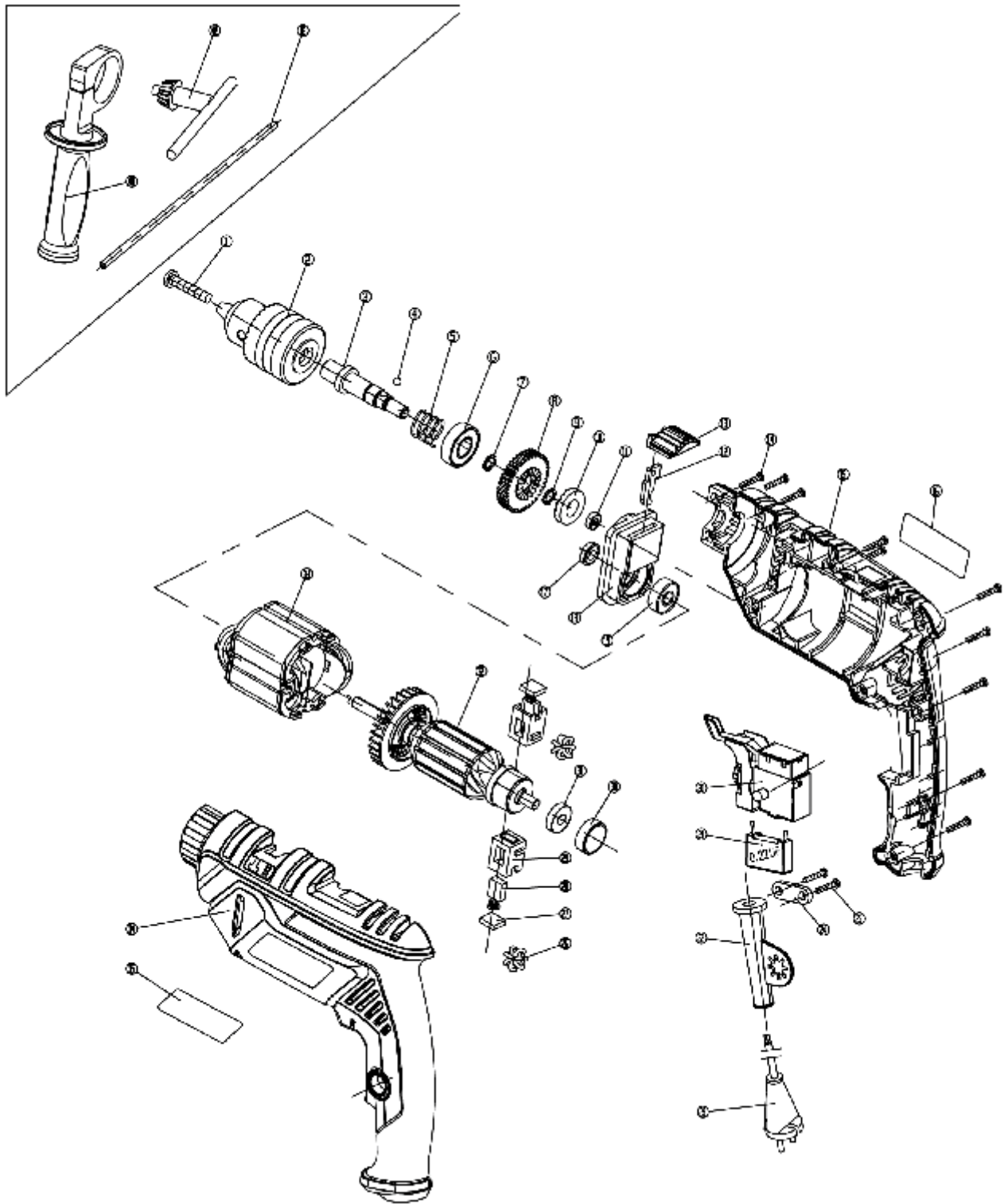
PRODUCT
KMS95RT K1
MAGNETIC DRILL STAND





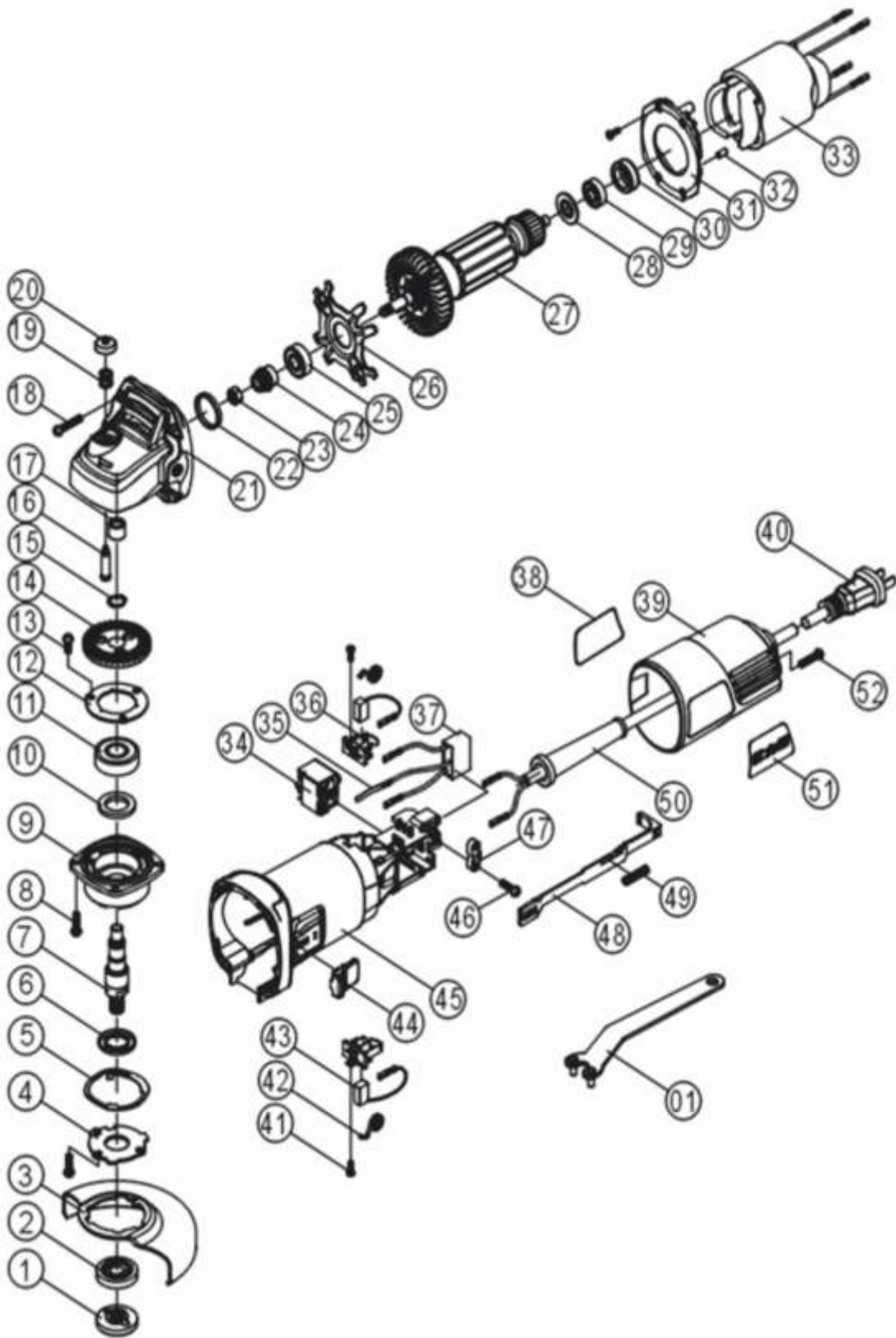
PRODUCT
KID10
10MM IMPACT DRILL





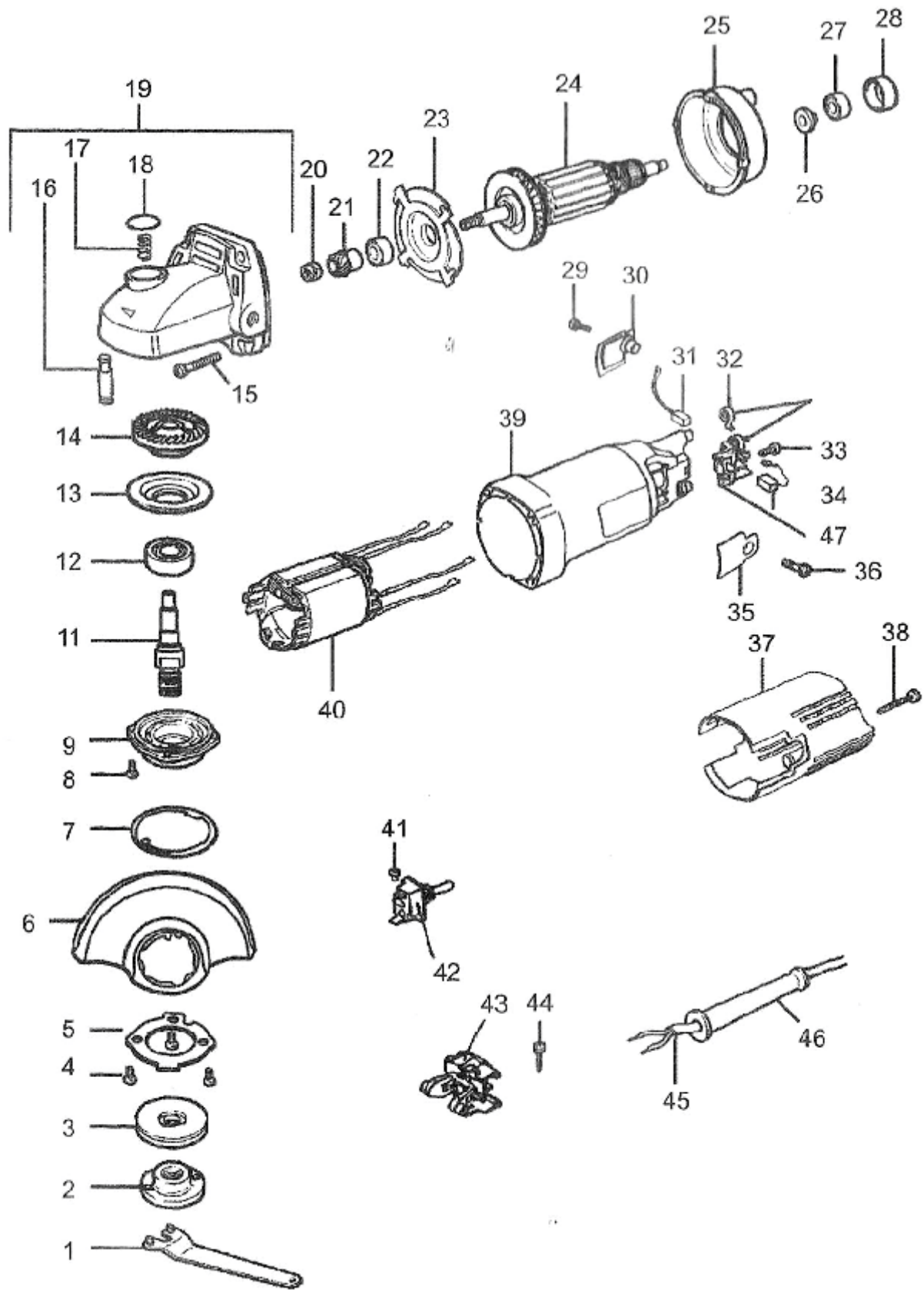
PRODUCT
KID13
13MM IMPACT DRILL





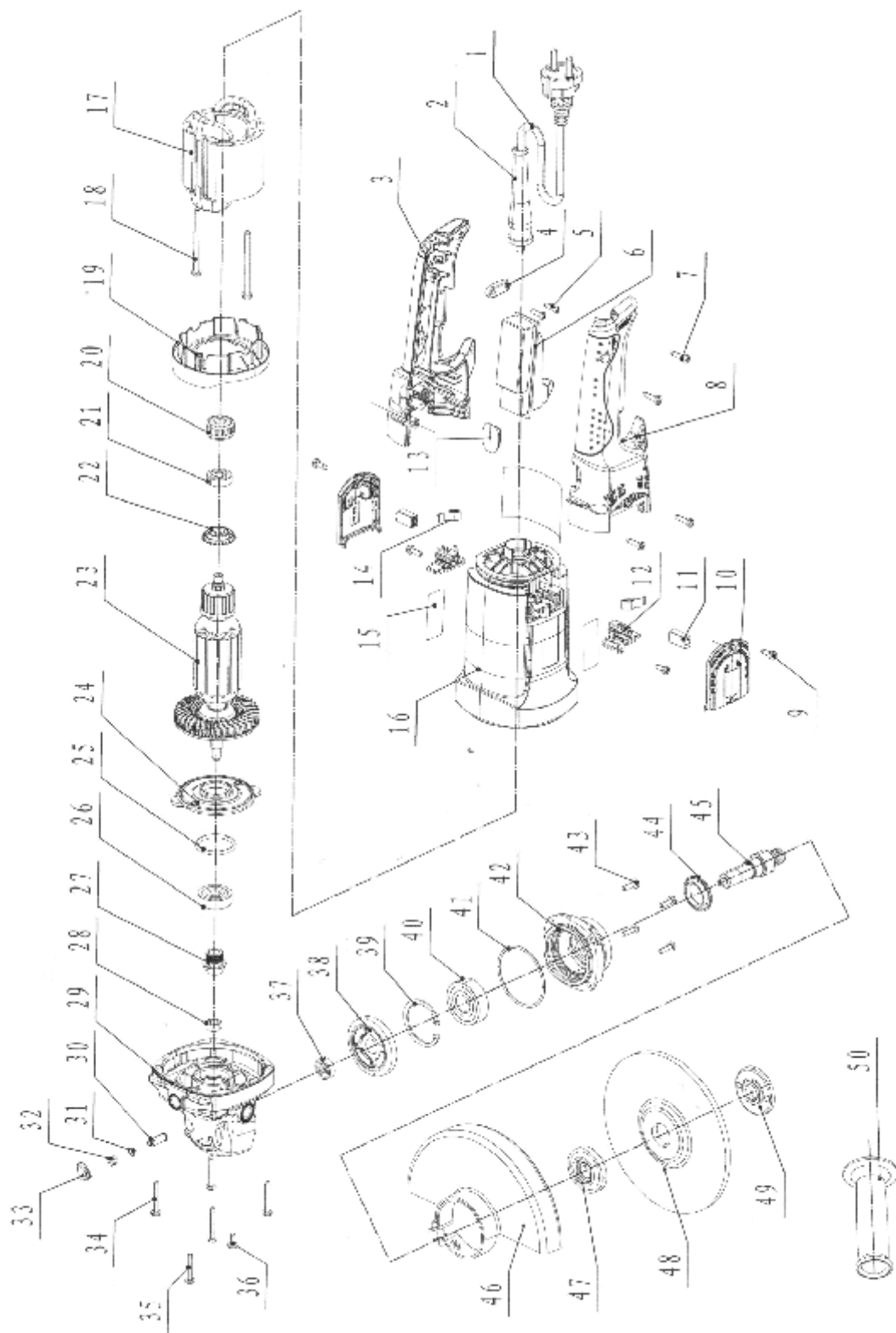
PRODUCT
KAG10-4
100MM ANGLE GRINDER





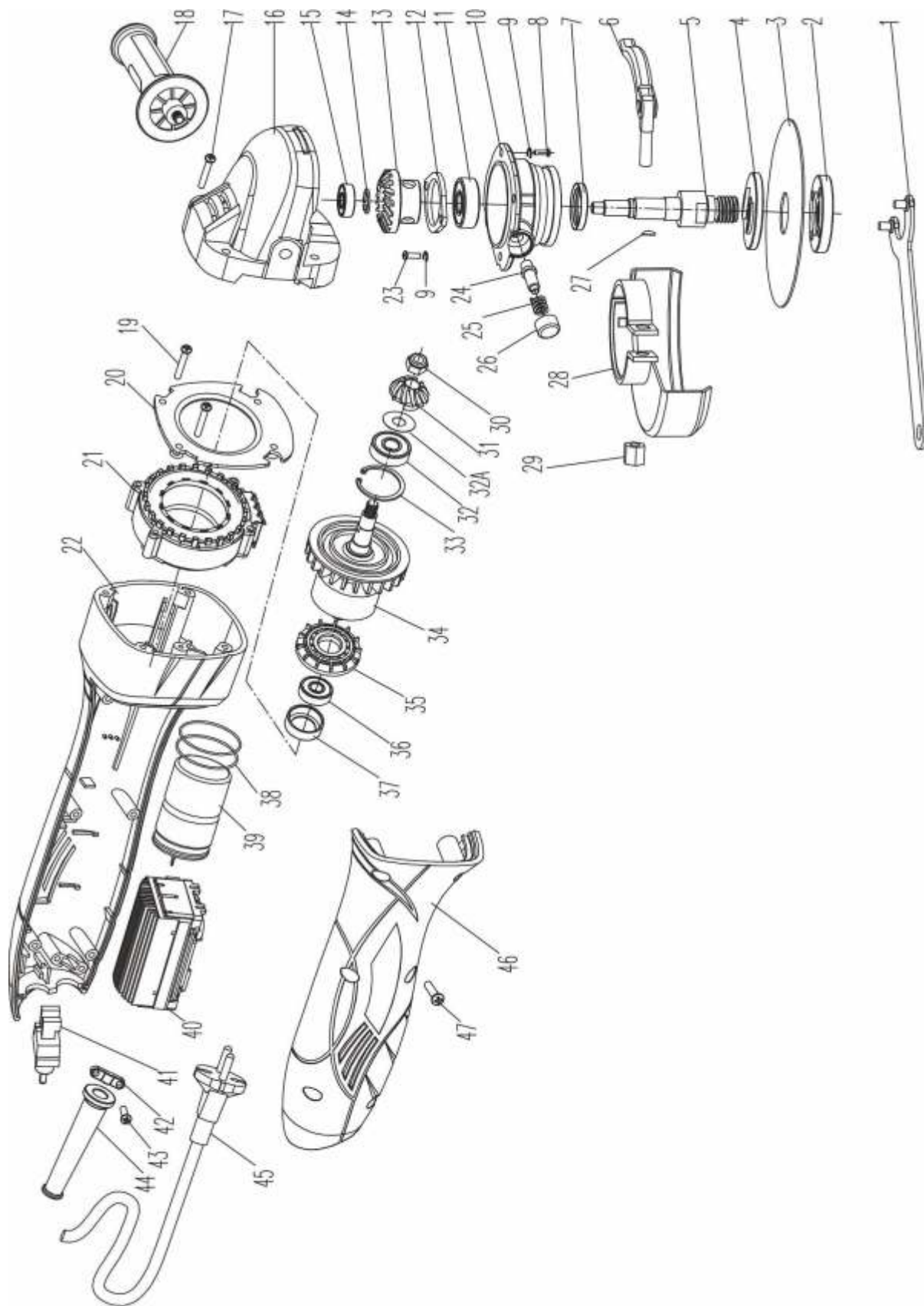
PRODUCT
KPT900-100
4" ANGLE GRINDER





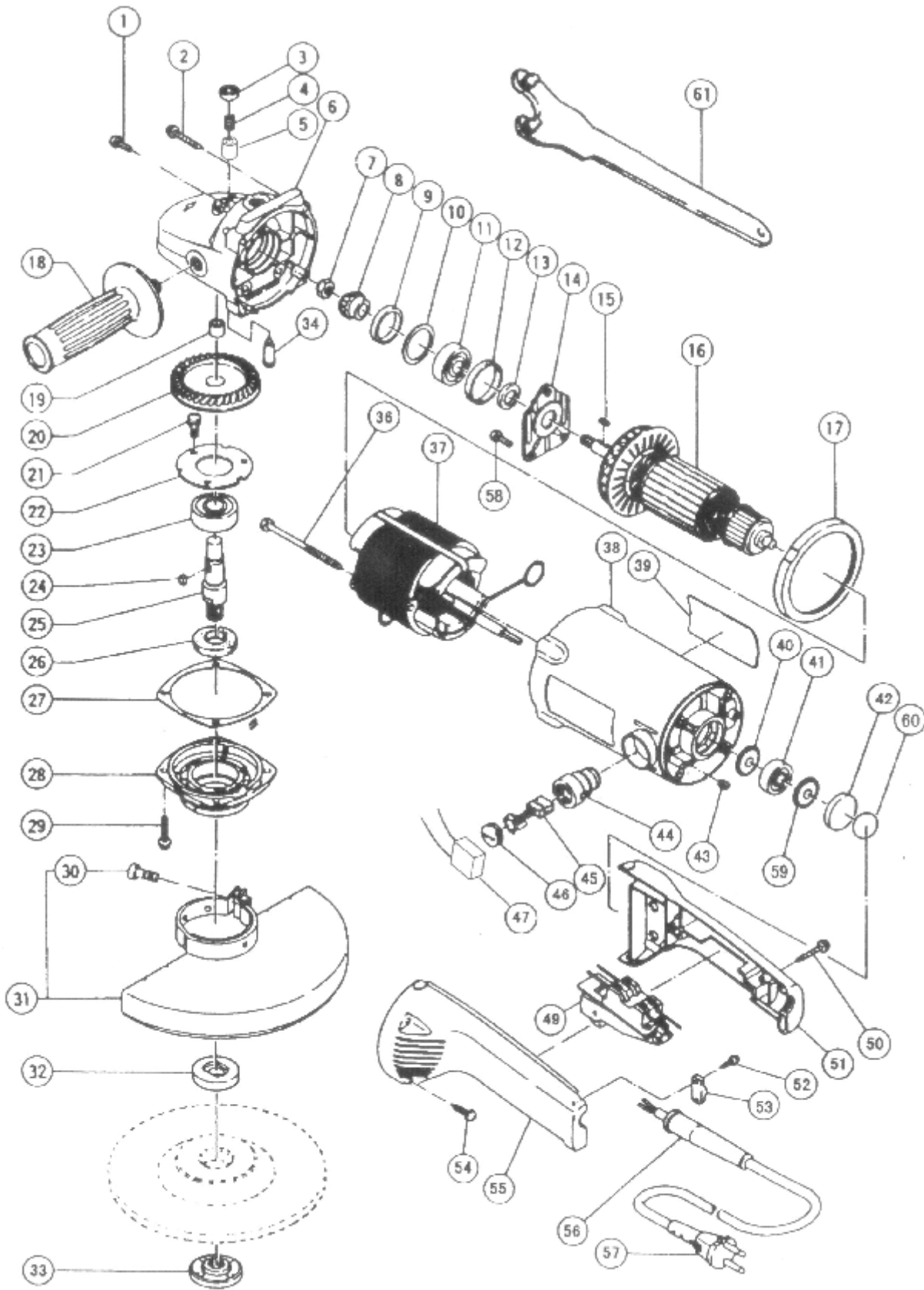
PRODUCT
KAG14-5
125MM ANGLE GRINDER





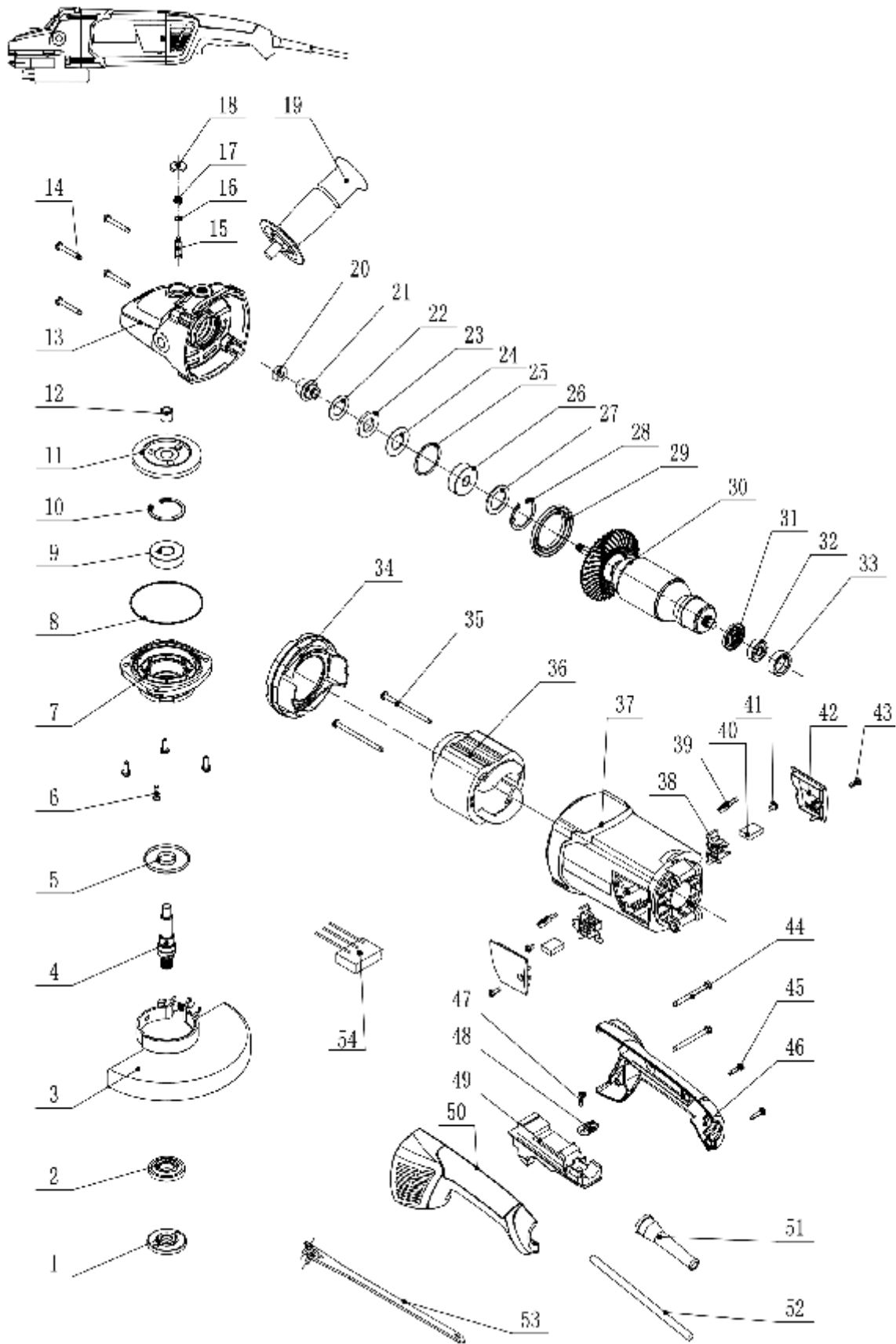
PRODUCT
KAG5BL
125MM BRUSHLESS ANGLE GRINDER





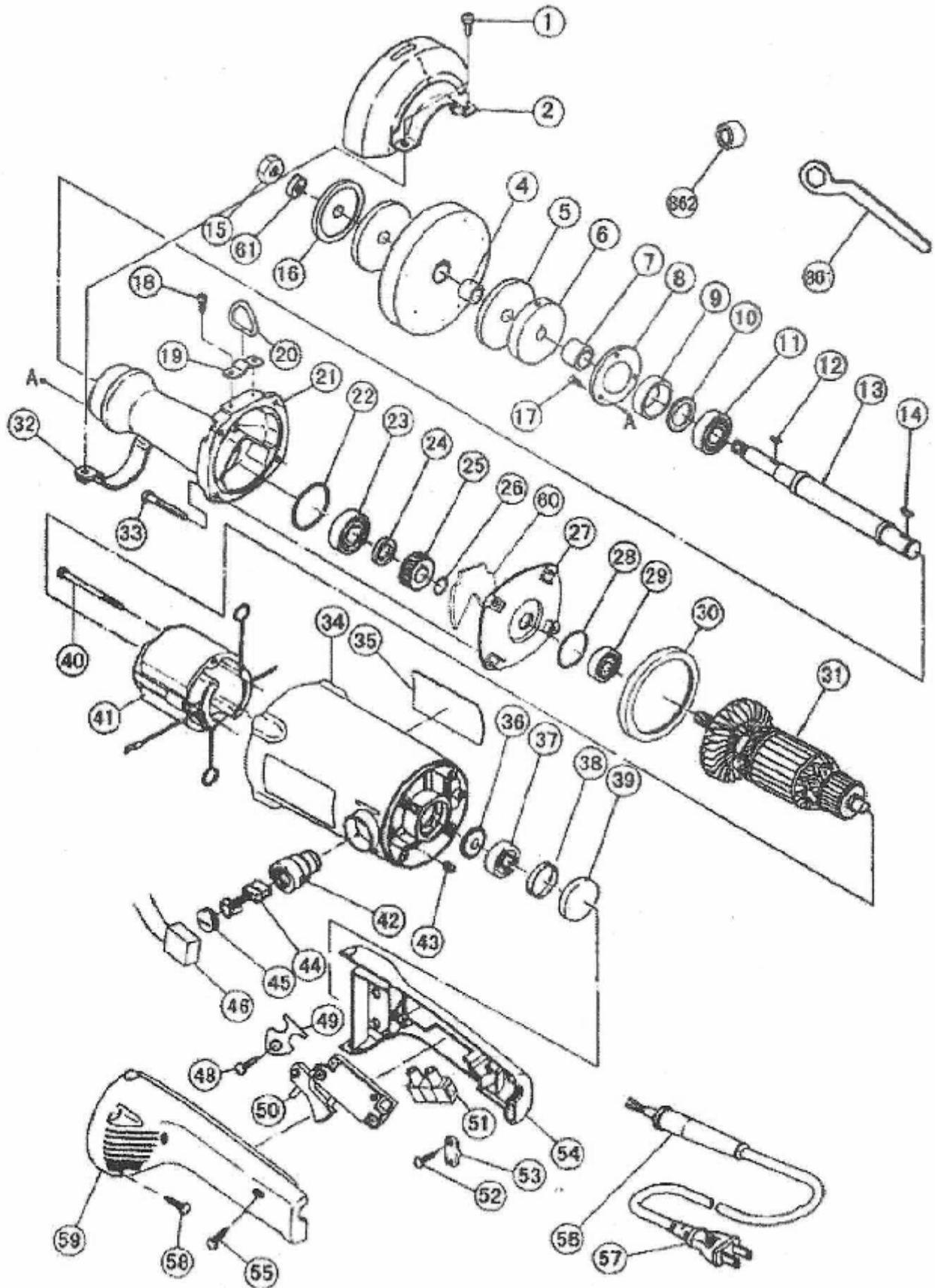
PRODUCT
KAG20-7
180MM ANGLE GRINDER





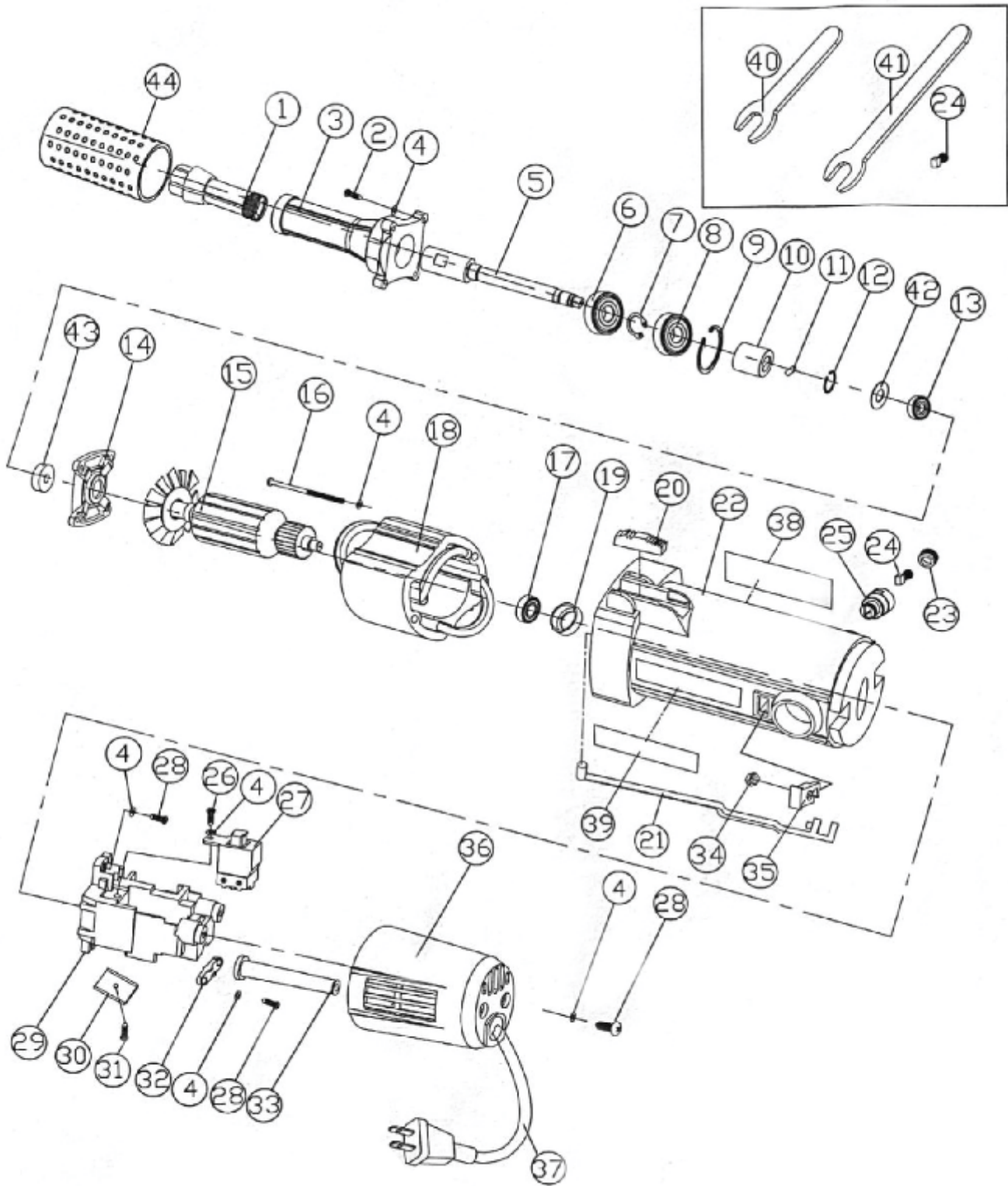
PRODUCT
KAG24-7
180MM ANGLE GRINDER





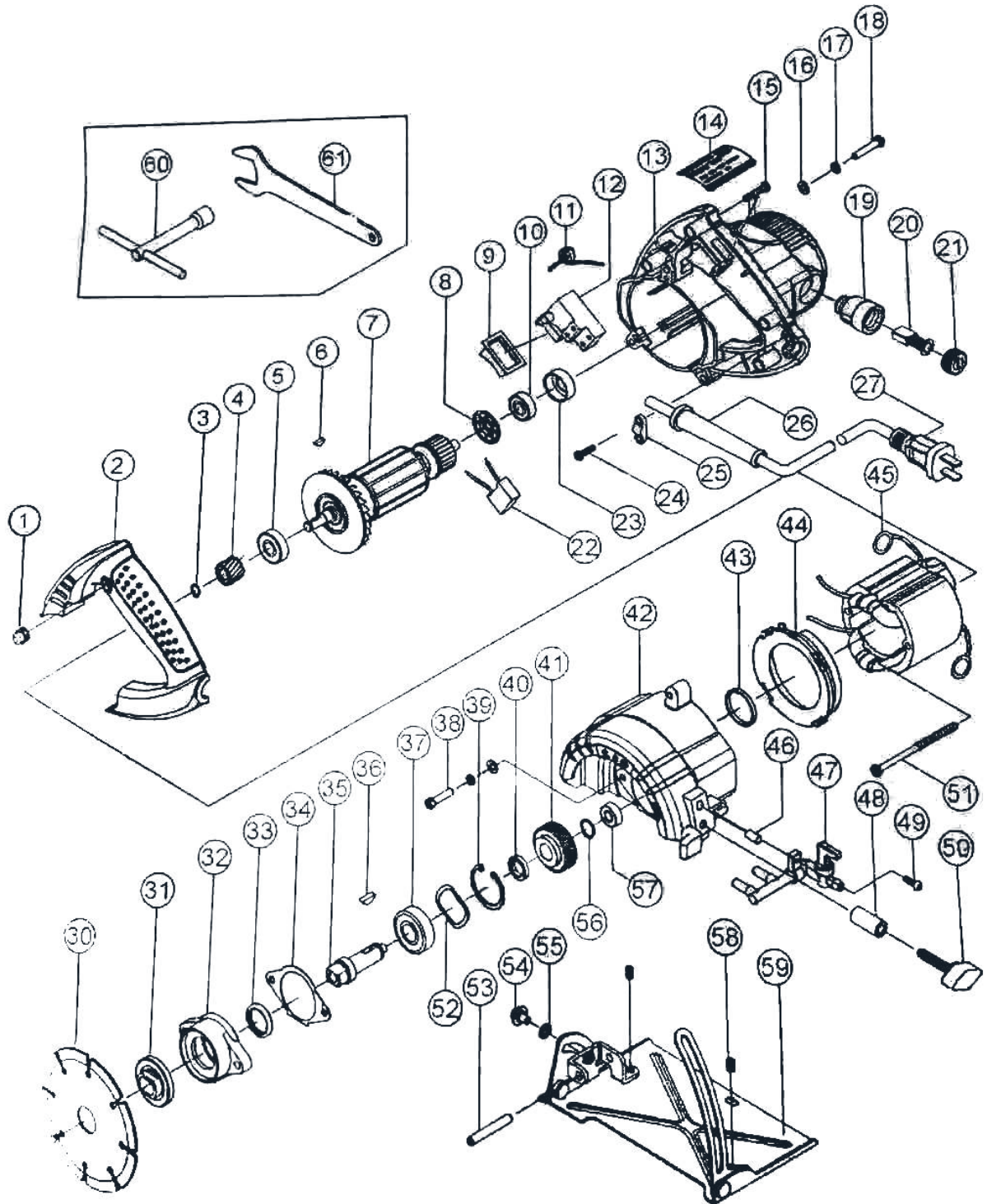
PRODUCT
KSG4
4" STRAIGHT GRINDER





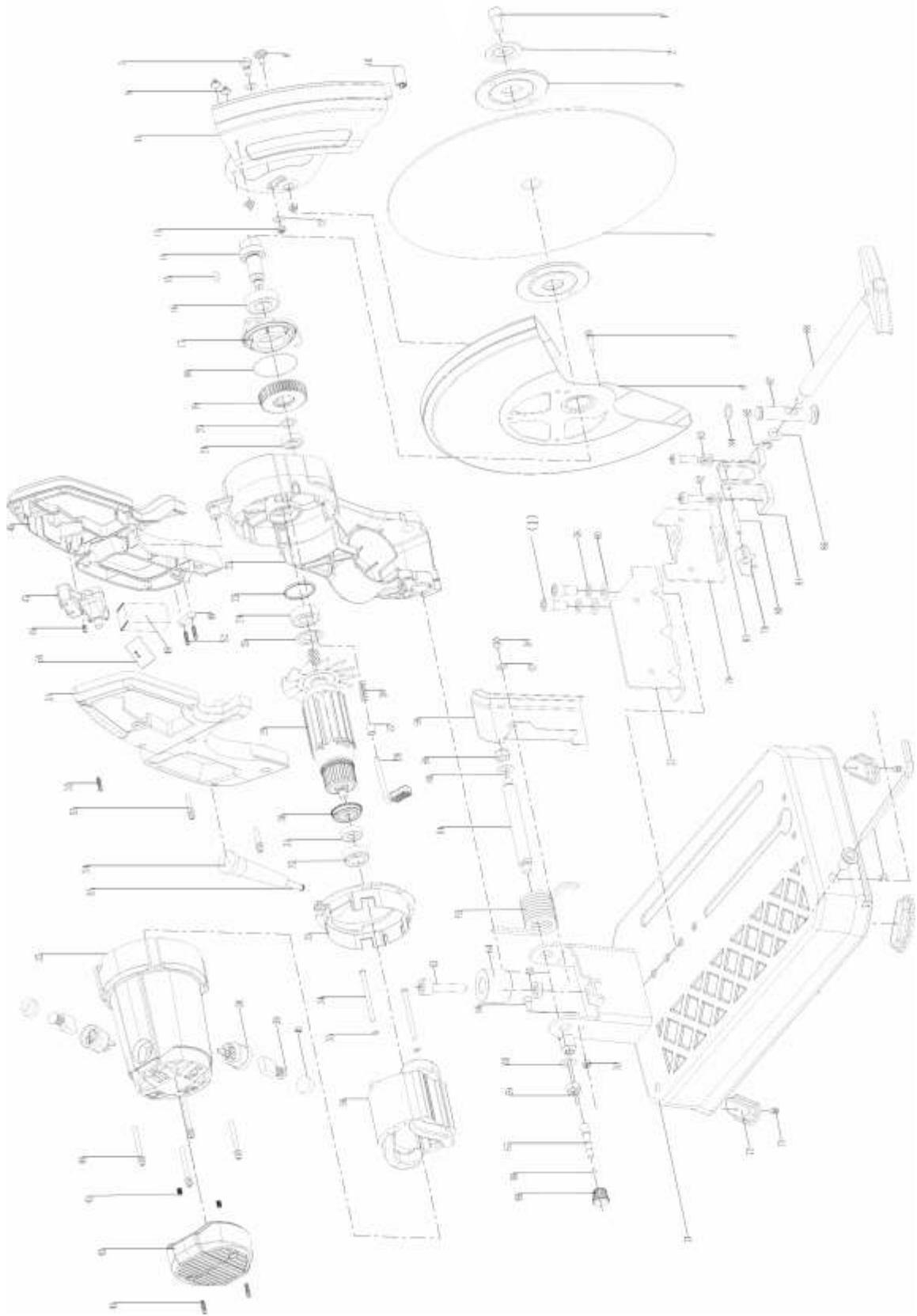
PRODUCT
KDG6N
6" DIE GRINDER





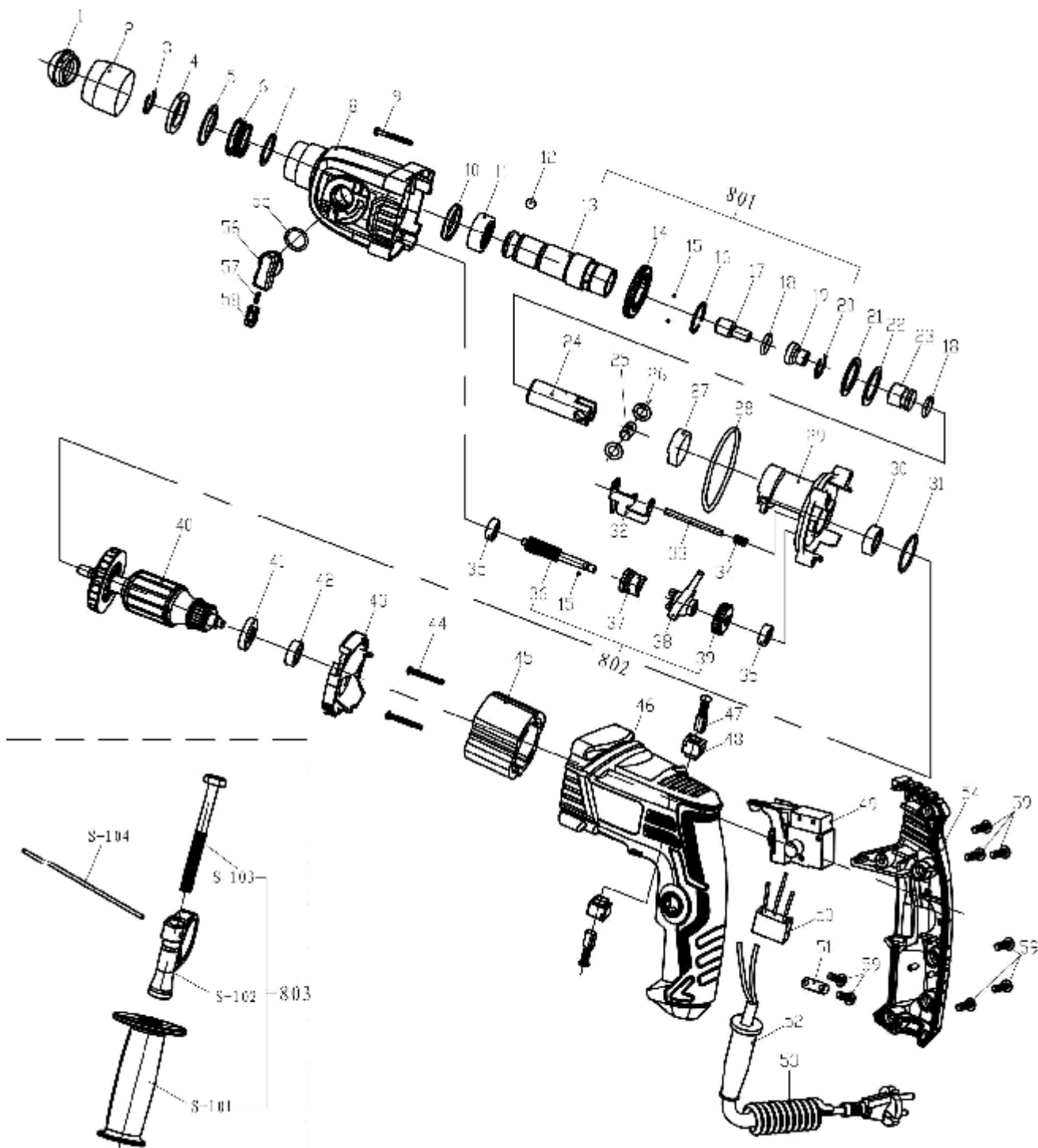
PRODUCT
KPTTC5
5" MARBLE CUTTER





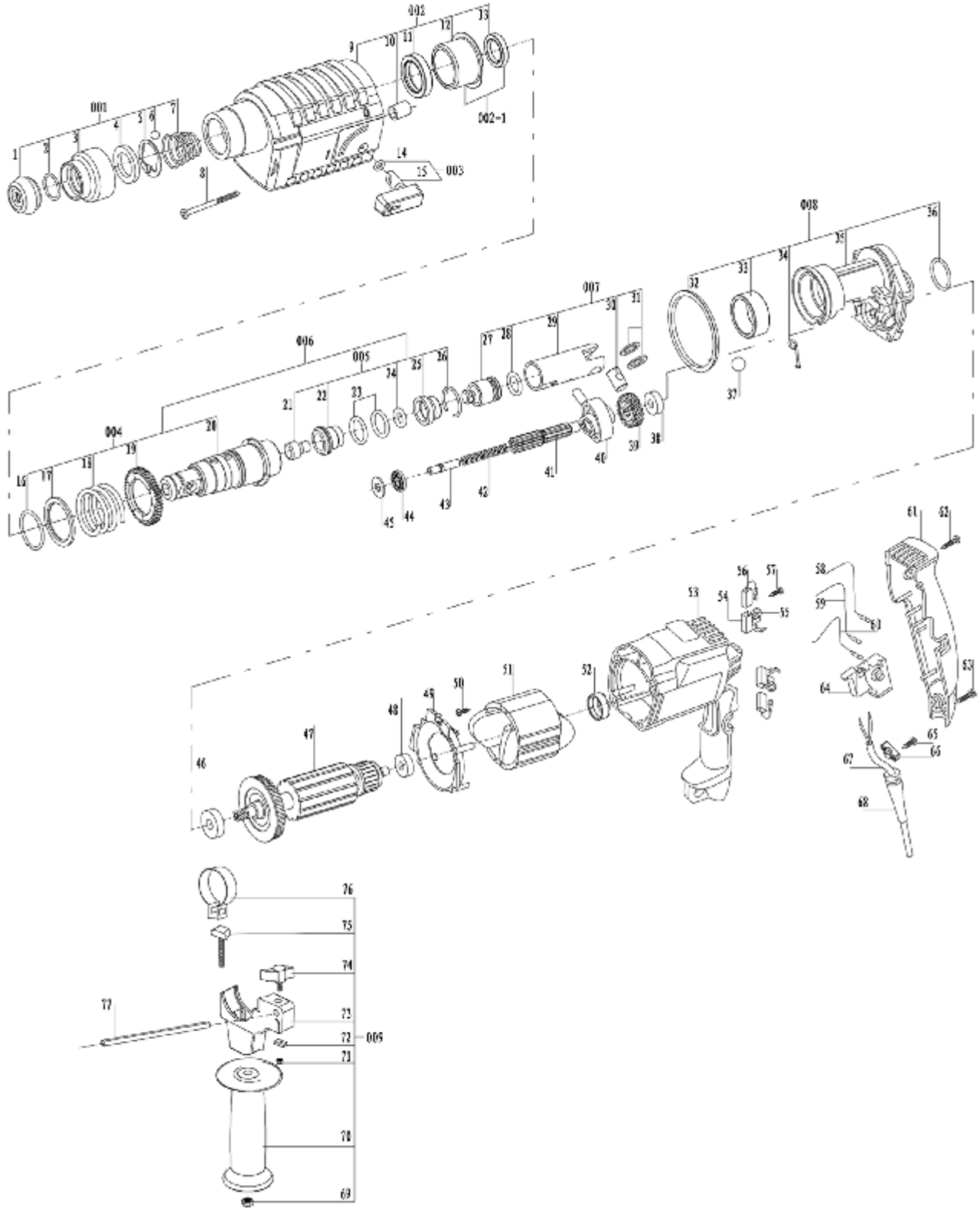
PRODUCT
KPTCS355
355MM CUT-OFF-SAW





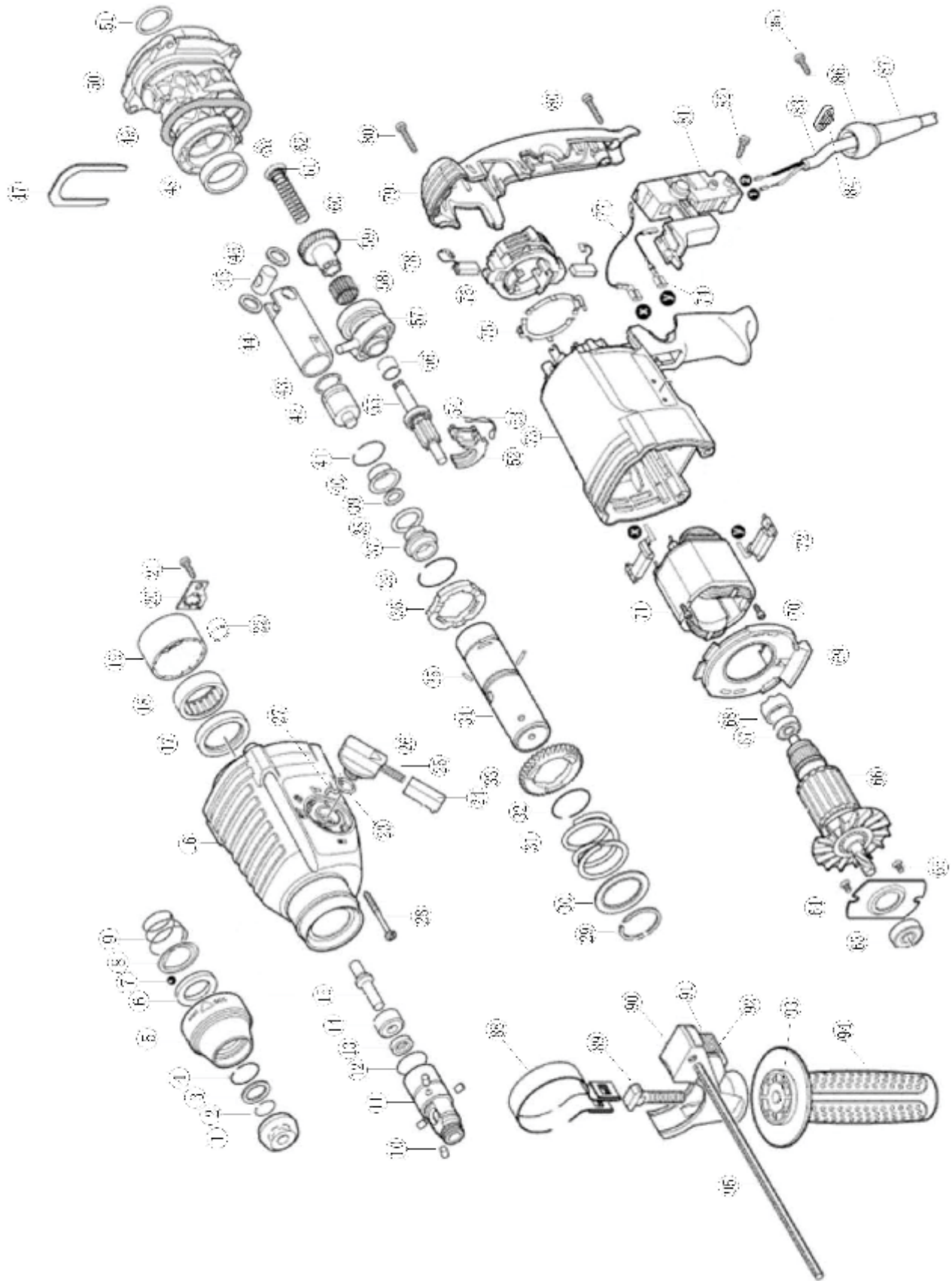
PRODUCT
KRH13
13MM ROTARY HAMMER





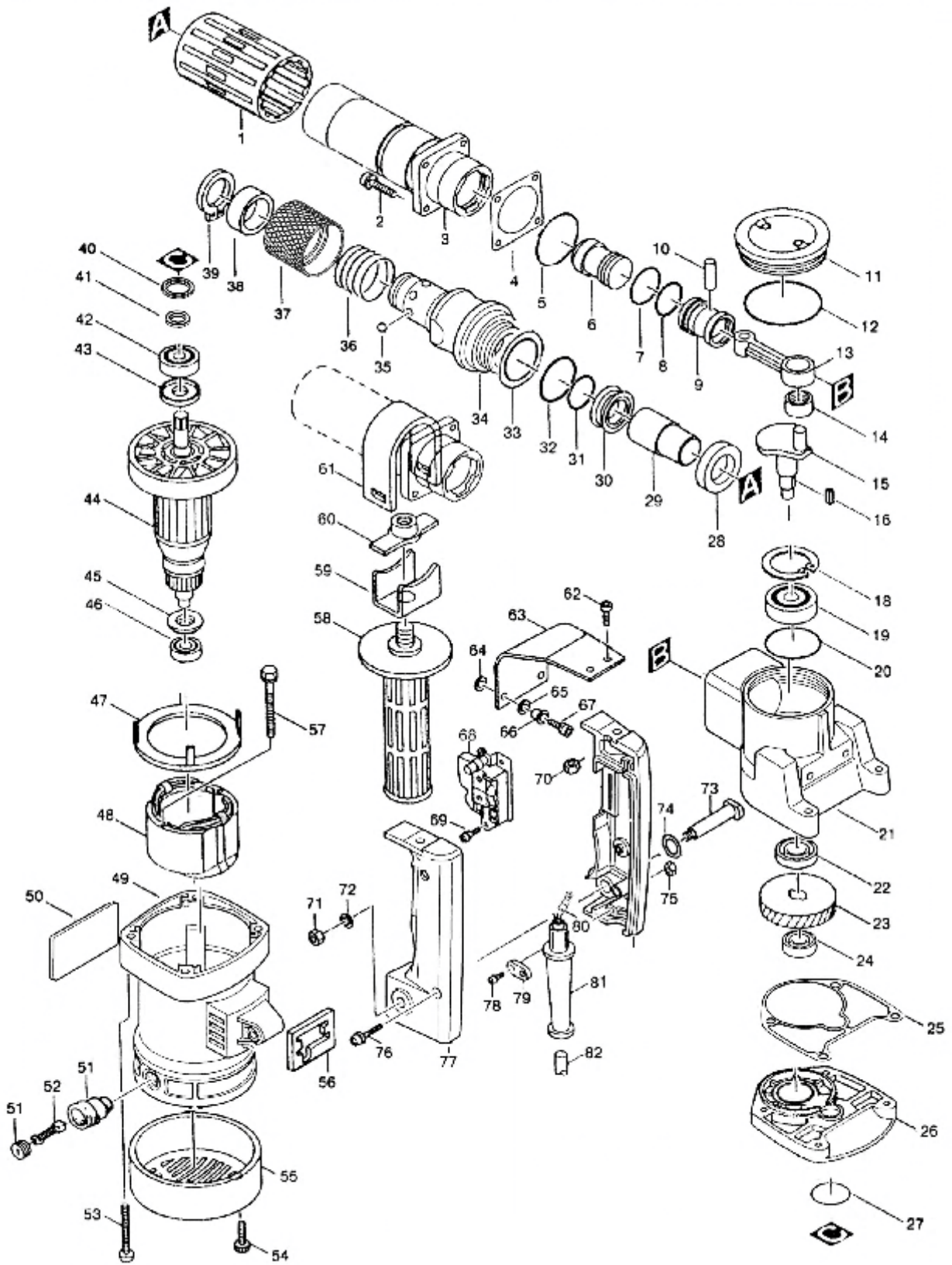
PRODUCT
KPTRH22
22MM ROTARY HAMMER





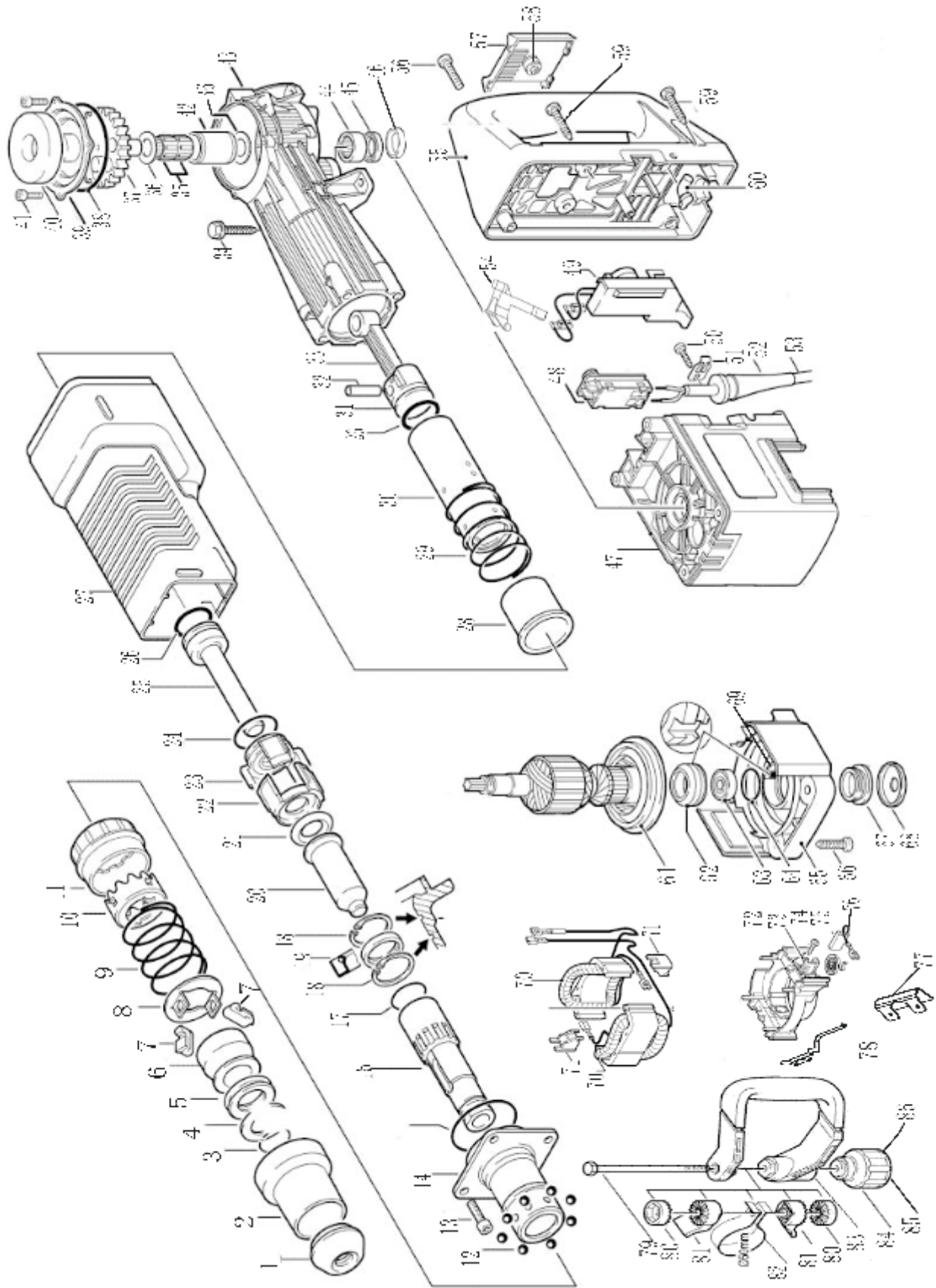
PRODUCT
KPTRH26
26MM ROTARY HAMMER





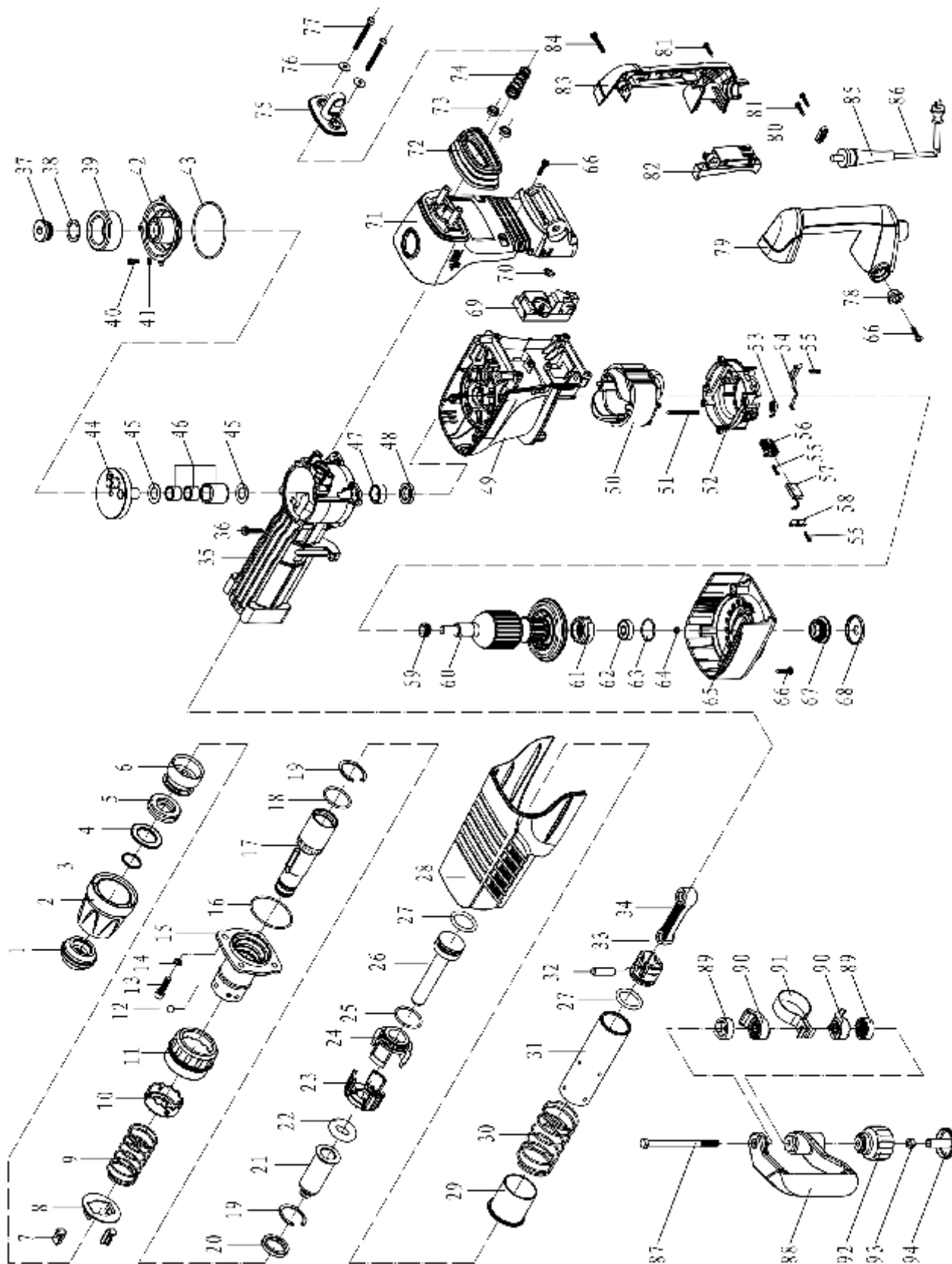
PRODUCT
KPT5DHN
5Kg DEMOLITION HAMMER





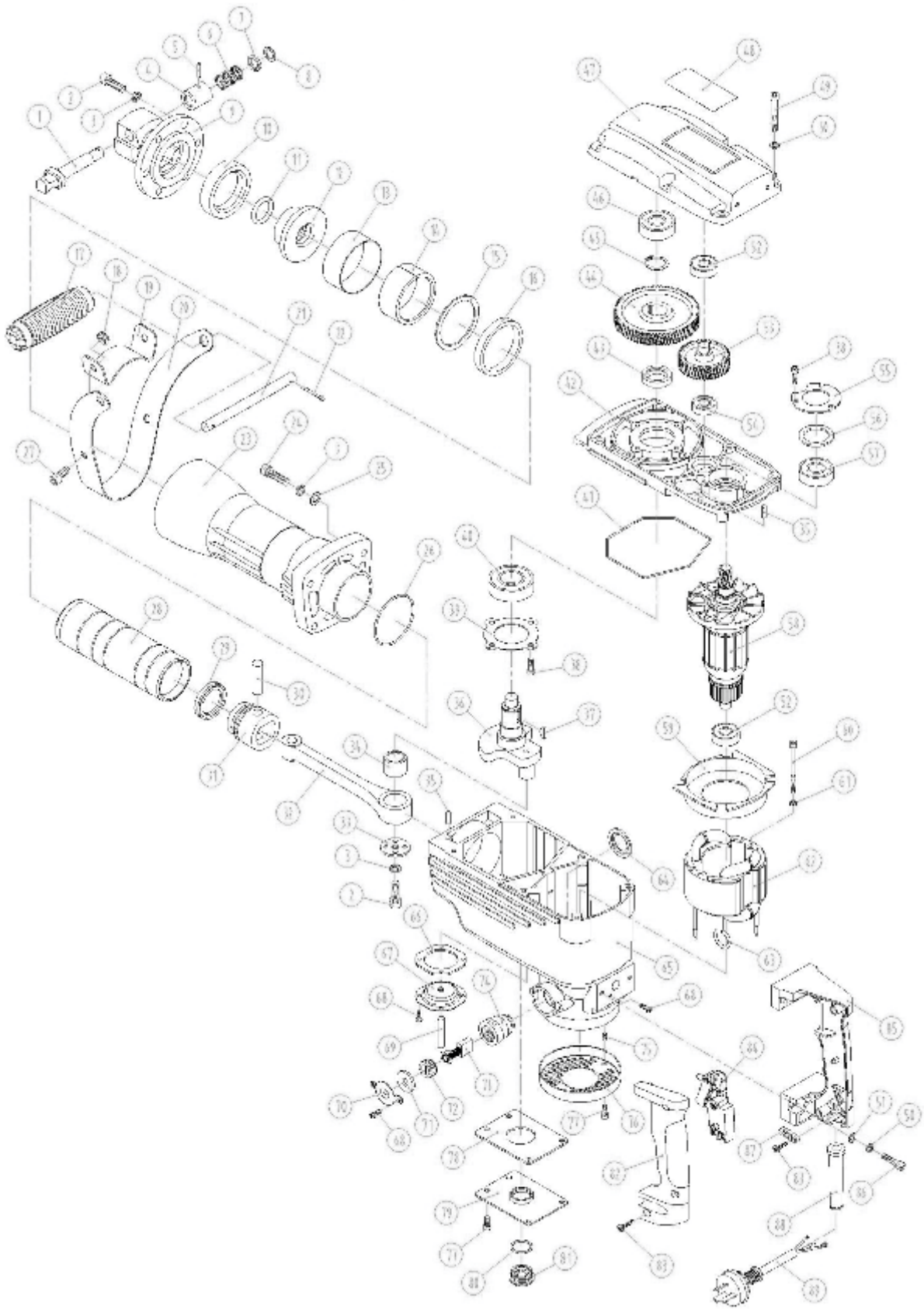
PRODUCT
KPT11DHN
11Kg DEMOLITION HAMMER





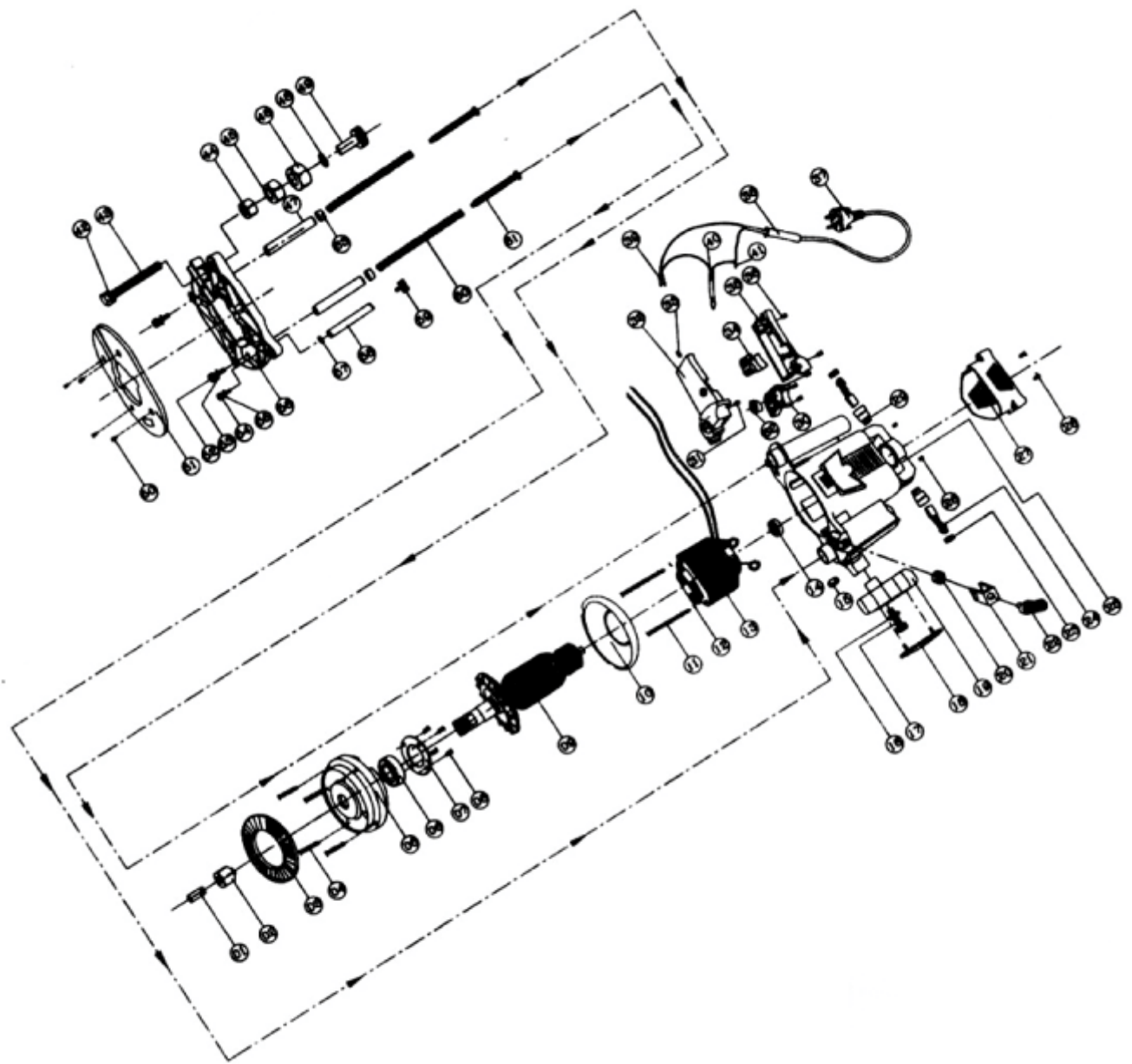
PRODUCT
KDH11
11Kg DEMOLITION HAMMER





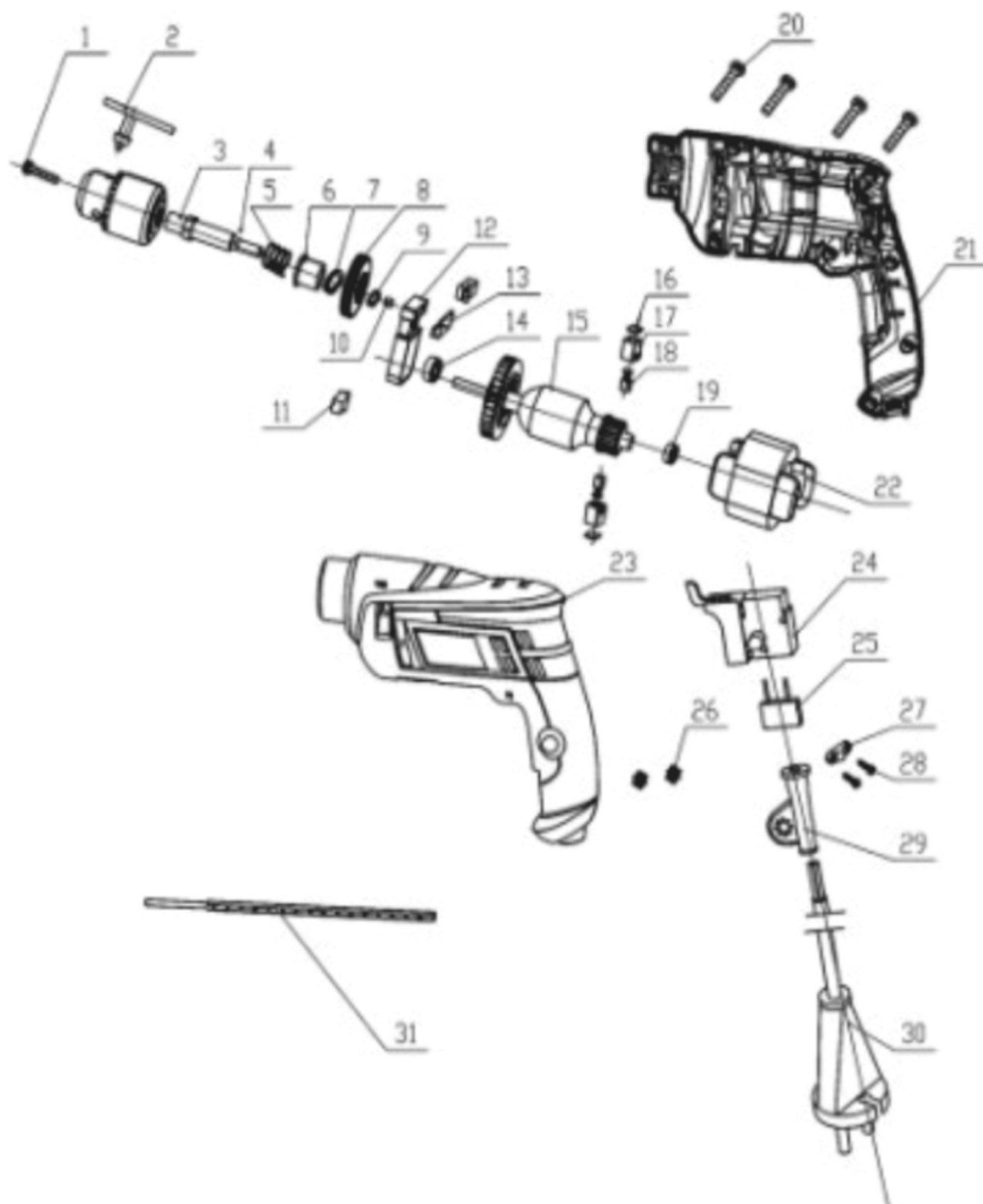
PRODUCT
KPT16DHN
16Kg DEMOLITION HAMMER





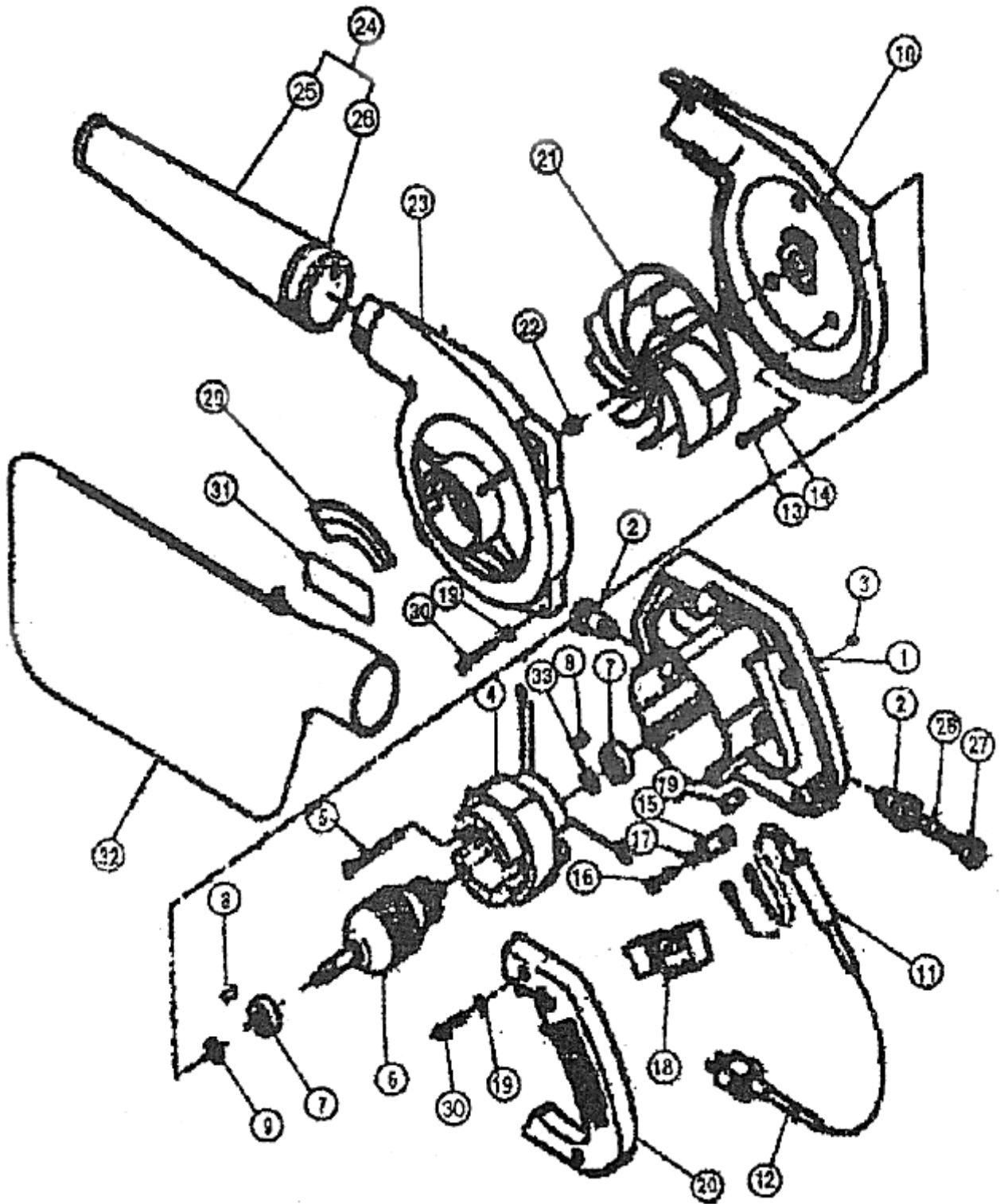
PRODUCT
KRT12
ROUTER





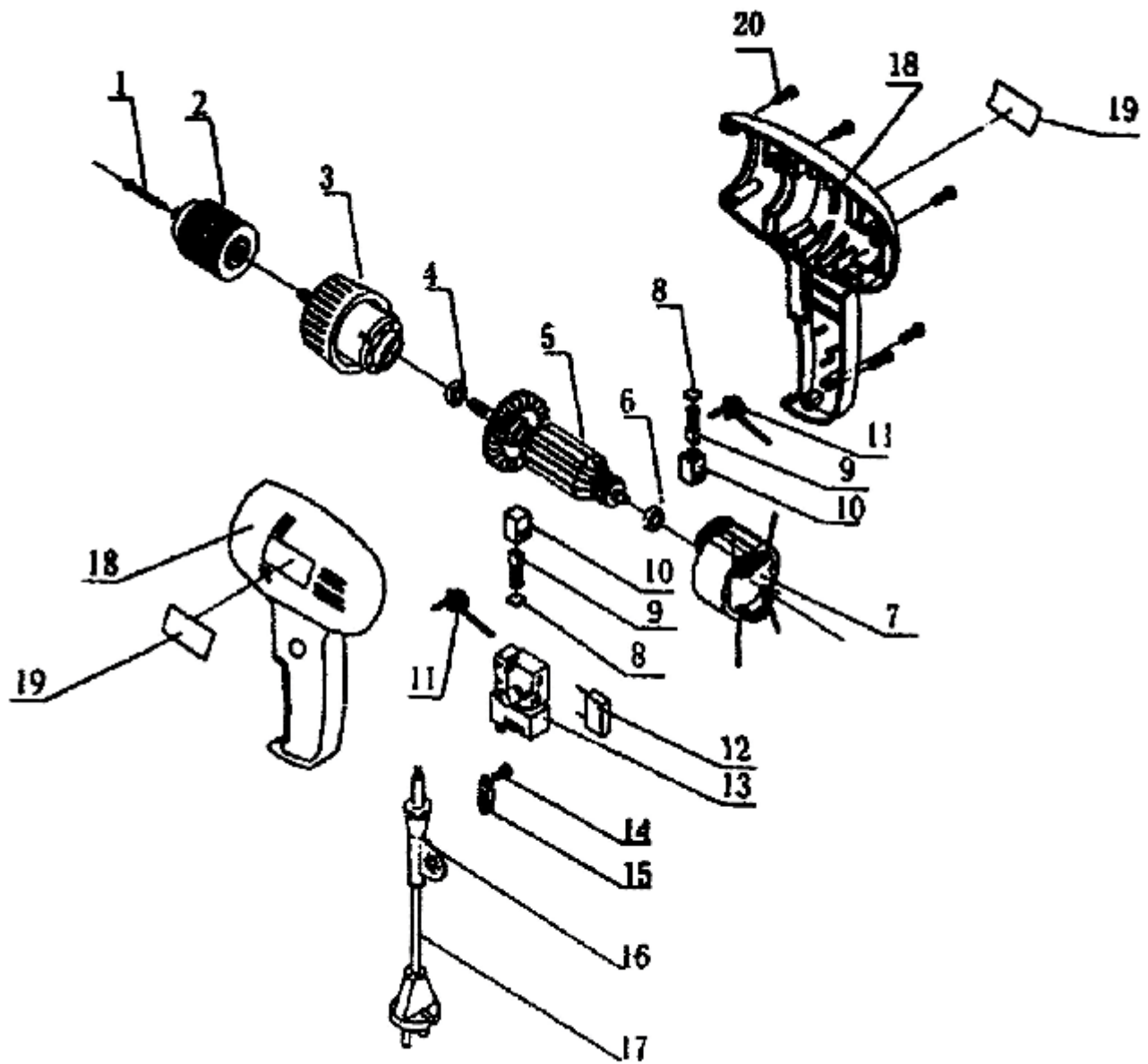
KDK13H
13MM IMPACT DRILL KIT





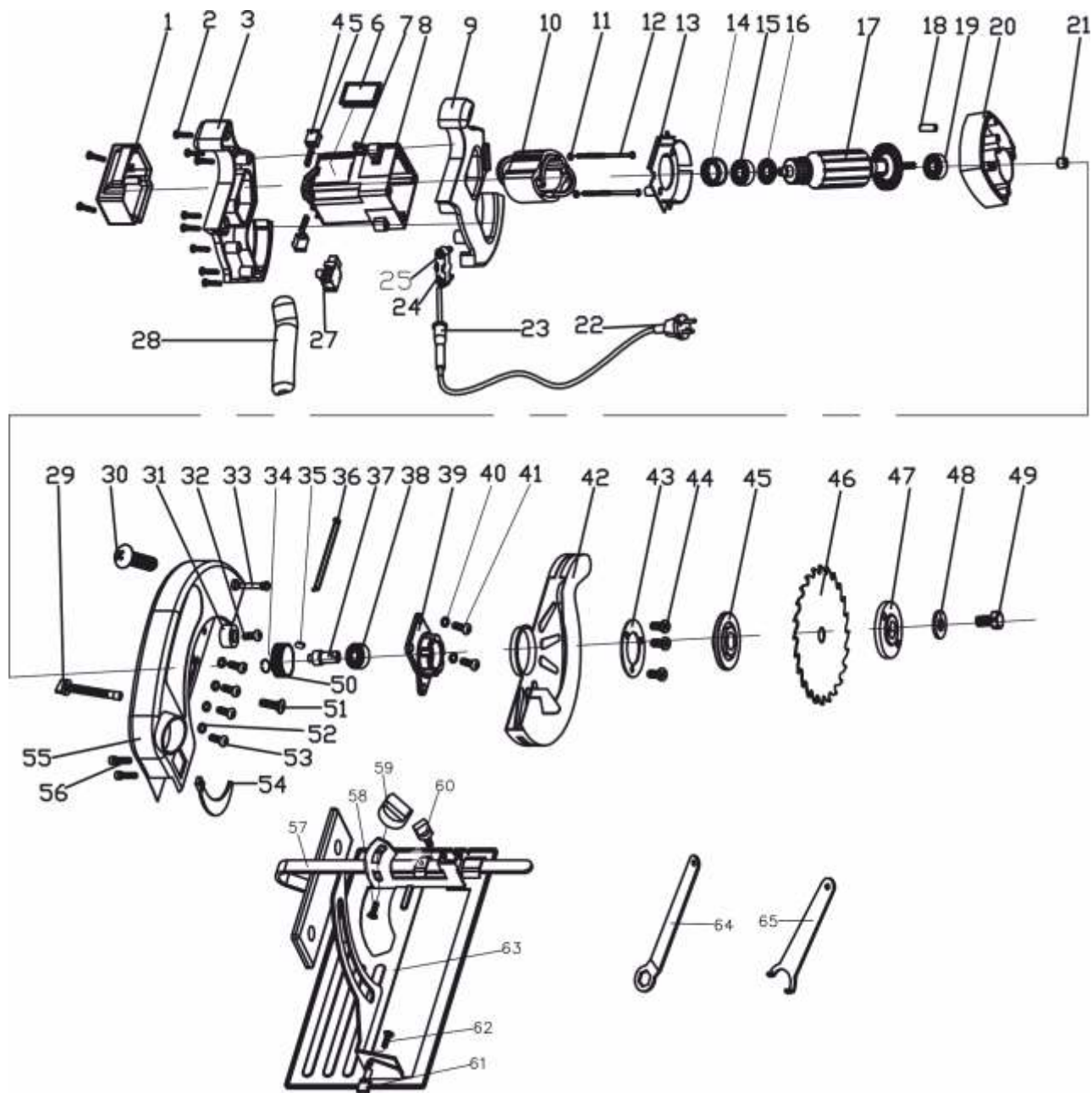
PRODUCT
KB500N
ELECTRIC BLOWER





PRODUCT
KSD10
10MM ELECTRIC SCREW DRAWER





PRODUCT
KCS190N
185MM CIRCULAR SAW

