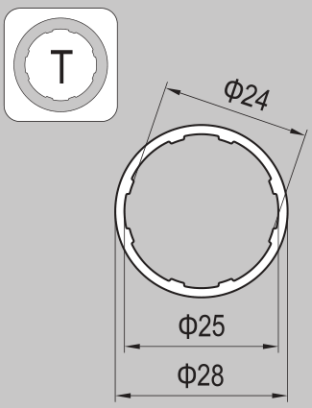
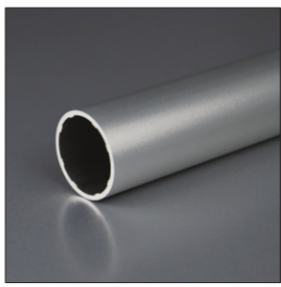


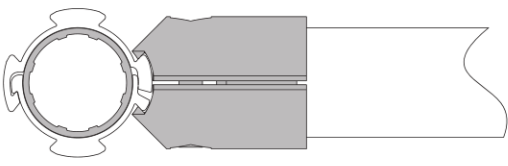
Profile Tube

TFS Profile Tube applies standard tolerance of GB 5237-2008, the surface treatment is satin anodized. Standard length of delivery profiles are : 6000mm for delivity inside china, 5800mm for international shippment.

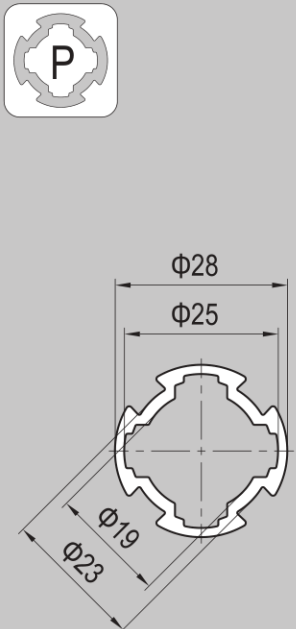


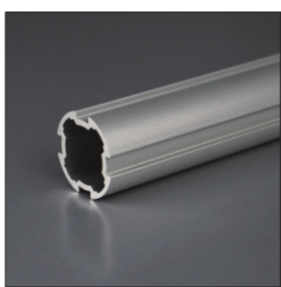


Tube D28

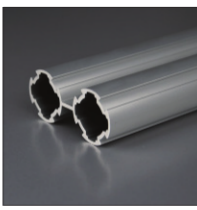


Tube D28 is suitable for connecting outer connector or tube connector, and tube adapter is required to connect with other tubes, Refer to Page 28 in this catalogue for more details.

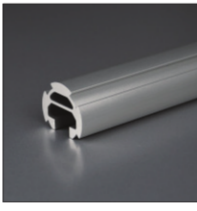




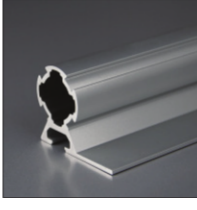
Profile Tube D28



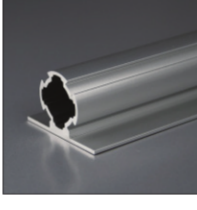
Double Profile Tube D28



Profile Tube D28 10slots

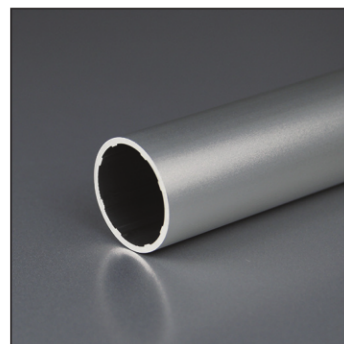
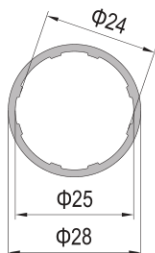


SW Profile Tube D28



DW Profile Tube D28

Tube D28



Modular Assembly System

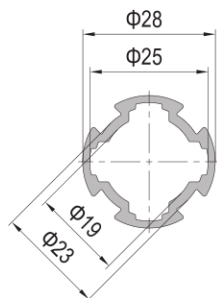
MAS

Description	Moment of Inertia $I_x(\text{cm}^4)$	Moment of Inertia $I_y(\text{cm}^4)$	Moment of Resistance $W_x(\text{cm}^3)$	Moment of Resistance $W_y(\text{cm}^3)$	Mass (kg/m)	Part No.
Tube D28	1.3	1.3	0.9	0.9	0.36	TFS.D28

Machine Guard System

MGS

Profile Tube D28



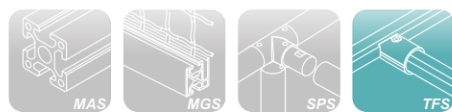
Stair and Platform System

SPS

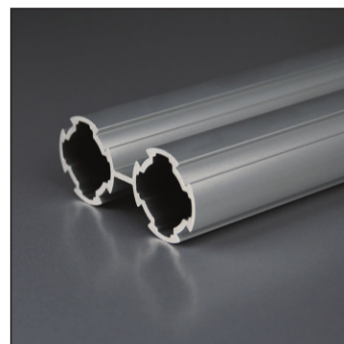
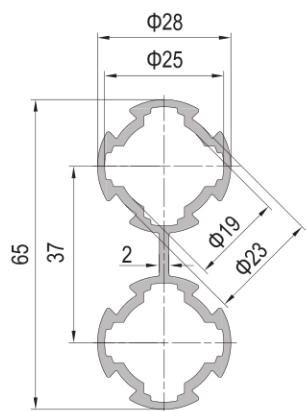
Description	Moment of Inertia $I_x(\text{cm}^4)$	Moment of Inertia $I_y(\text{cm}^4)$	Moment of Resistance $W_x(\text{cm}^3)$	Moment of Resistance $W_y(\text{cm}^3)$	Mass (kg/m)	Part No.
Profile Tube D28	1.6	1.6	1.03	1.03	0.48	TFS.D28.1

Tubular Framing System

TFS

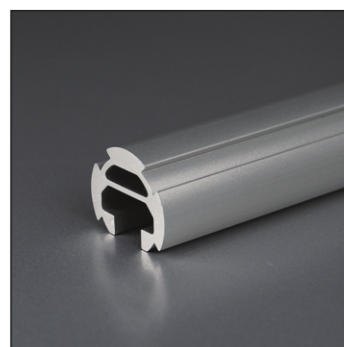
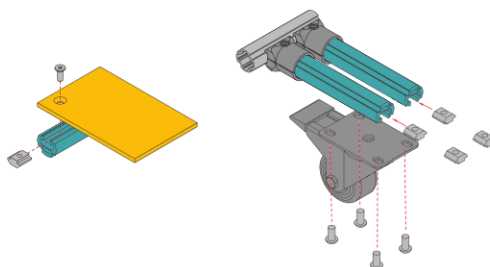
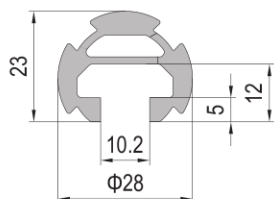


Double Profile Tube D28



Description	Moment of Inertia $I_x(\text{cm}^4)$	Moment of Inertia $I_y(\text{cm}^4)$	Moment of Resistance $W_x(\text{cm}^3)$	Moment of Resistance $W_y(\text{cm}^3)$	Mass (kg/m)	Part No.
Double Profile Tube D28	14.97	2.67	4.6	1.9	1.15	TFS.D28.1.D

Profile Tube D28 10slots

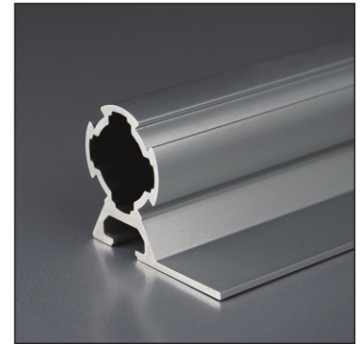
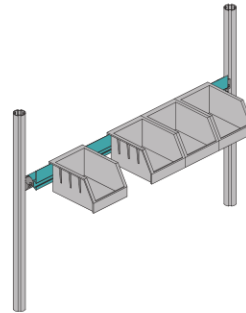
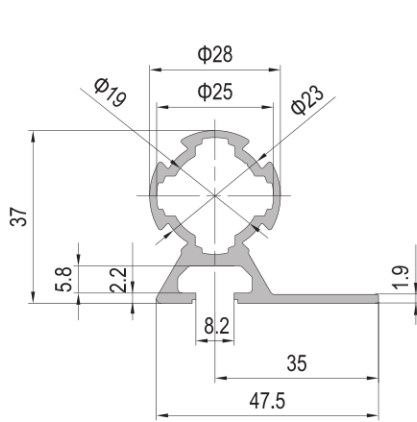


Profile Tube D28 10slots is mainly used for connecting panel or castor with plate, and it can only be connected by outer connector

Description	Moment of Inertia $I_x(\text{cm}^4)$	Moment of Inertia $I_y(\text{cm}^4)$	Moment of Resistance $W_x(\text{cm}^3)$	Moment of Resistance $W_y(\text{cm}^3)$	Mass (kg/m)	Part No.
Profile Tube D28 10slots	1.1	1.9	0.8	1.3	0.68	TFS.D28.1.10



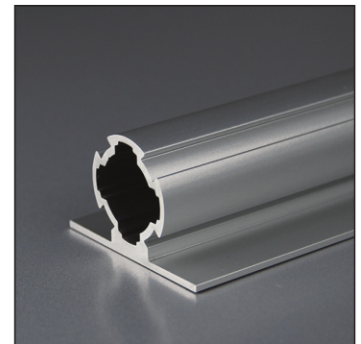
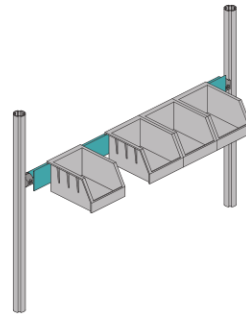
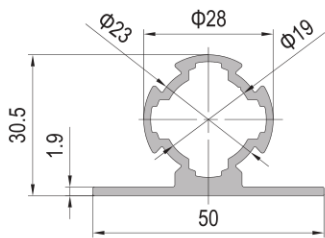
SW Profile Tube D28



SW Profile Tube D28 is mainly used for suspending material box which can only be connected by inner connector.

Description	Moment of Inertia $I_x(\text{cm}^4)$	Moment of Inertia $I_y(\text{cm}^4)$	Moment of Resistance $W_x(\text{cm}^3)$	Moment of Resistance $W_y(\text{cm}^3)$	Mass (kg/m)	Part No.
SW Profile Tube D28	5.7	2.95	3.1	1.24	0.86	TFS.D28.1.SW

DW Profile Tube D28



SW Profile Tube D28 is mainly used for suspending material box which can only be connected by inner connector.

Description	Moment of Inertia $I_x(\text{cm}^4)$	Moment of Inertia $I_y(\text{cm}^4)$	Moment of Resistance $W_x(\text{cm}^3)$	Moment of Resistance $W_y(\text{cm}^3)$	Mass (kg/m)	Part No.
DW Profile Tube D28	3.35	2.95	1.2	1.18	0.79	TFS.D28.1.DW

Modular Assembly System

MAS

Machine Guard System

MGS

Stair and Platform System

SPS

Tubular Framing System

TFS

