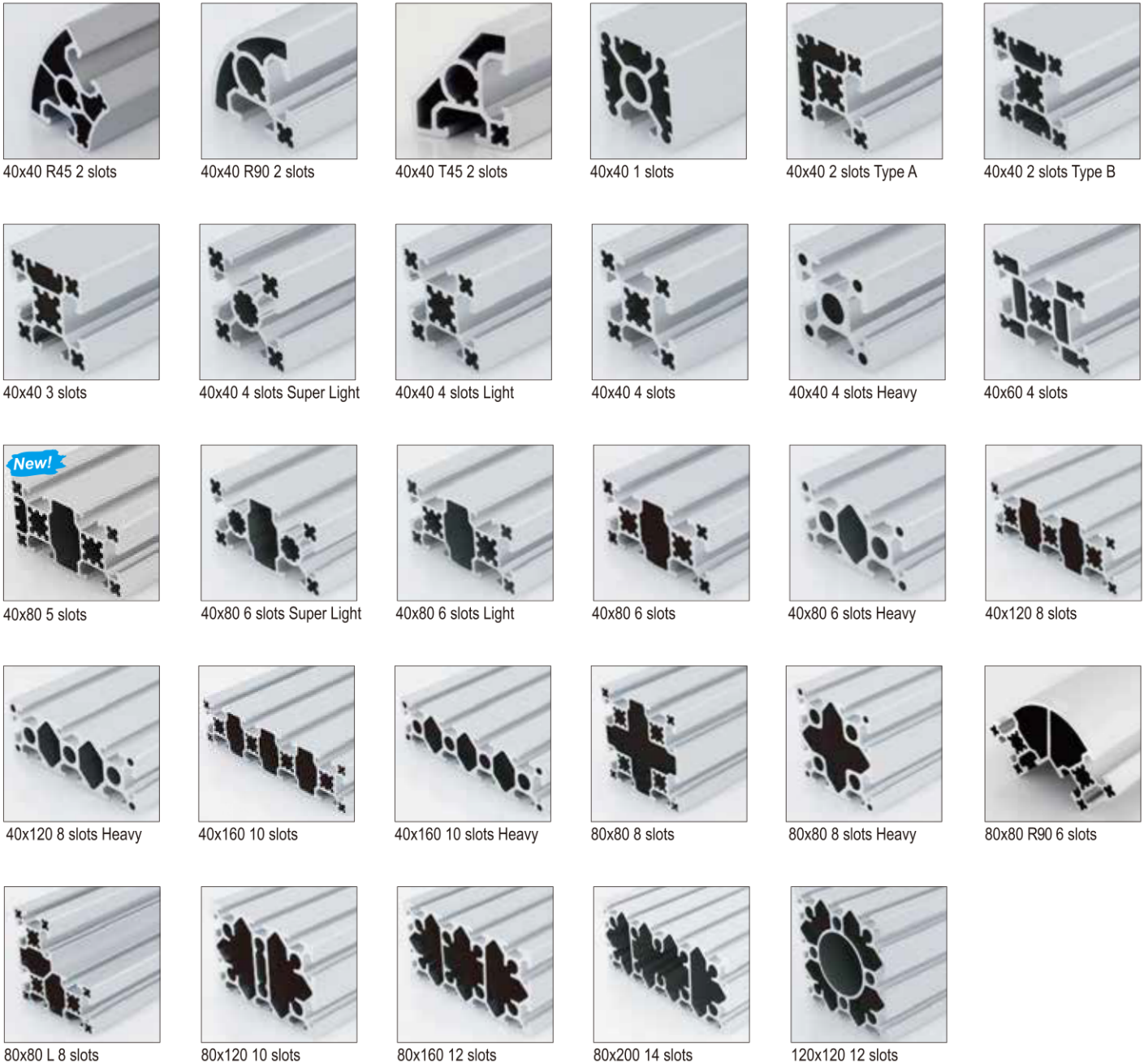


Strut Profile PG40



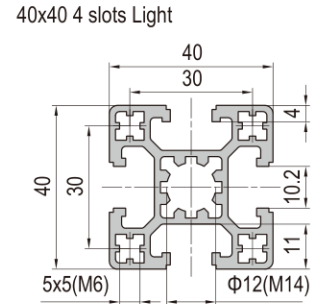
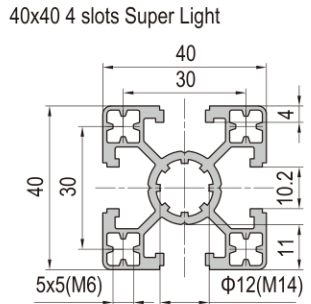
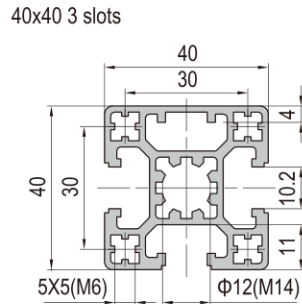
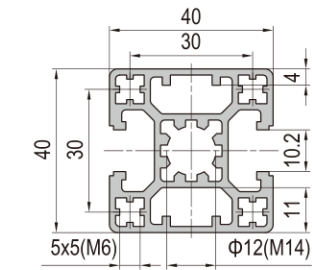
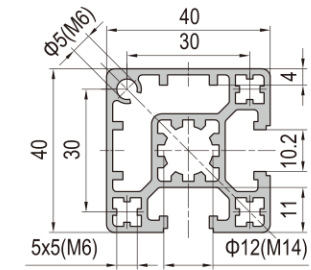
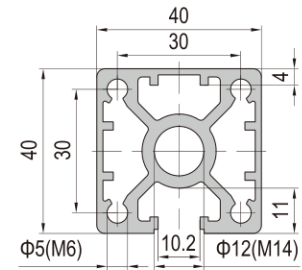
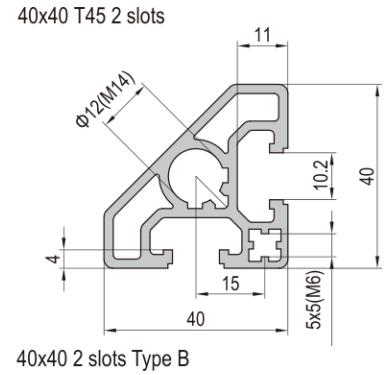
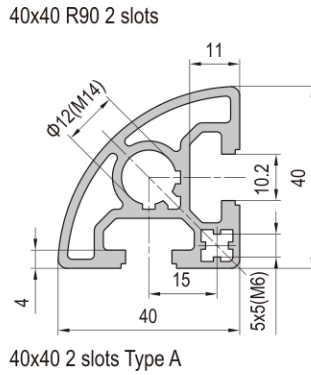
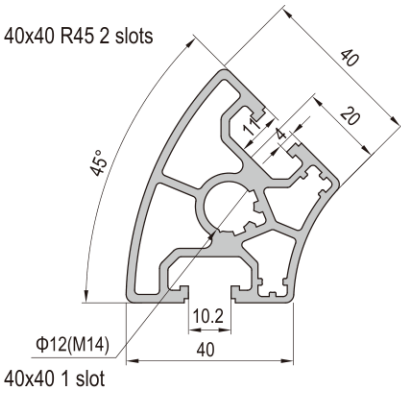
Strut profile PG40 featuring 10mm T-slot is designed for constructing medium or heavy weight assemblies, such as machine structure frame, trolley, work station, partition and display frames etc. (Profile PG40 is frequently used).

Connector selection





Strut Profile PG40



Description	Moment of Inertia $I_x(\text{cm}^4)$	Moment of Inertia $I_y(\text{cm}^4)$	Moment of Resistance $W_x(\text{cm}^3)$	Moment of Resistance $W_y(\text{cm}^3)$	Mass (kg/m)	Part No.
Strut Profile PG40 40x40 R45 slots	13.6	10.4	5.9	4.2	1.7	1.11.40.040040.R45.02
Strut Profile PG40 40x40 R90 slots	6.5	6.5	3.7	3.7	1.3	1.11.40.040040.R90.02
Strut Profile PG40x40 T45 2 slots	6.5	6.5	3.25	3.25	1.21	1.11.40.040040.T45.02
Strut Profile PG40 40x40 1 slot	10.4	10.1	5.2	5.0	1.68	1.11.40.040040.01
Strut Profile PG40 40x40 2 slots Type A	9.6	9.6	4.5	4.5	1.5	1.11.40.040040.02A
Strut Profile PG40 40x40 2 slots Type B	9.6	8.6	4.8	4.3	1.5	1.11.40.040040.02B
Strut Profile PG40 40x40 3 slots	9.1	8.6	4.5	4.3	1.5	1.11.40.040040.03
Strut Profile PG40 40x40 4 slots Super Light	7.3	7.3	3.6	3.6	1.3	1.11.40.040040.04SL
Strut Profile PG40 40x40 4 slots Light	8.6	8.6	4.3	4.3	1.5	1.11.40.040040.04L

Modular Assembly System  
MAS

Machine Guard System  
MGS

Stair and Platform System  
SPS

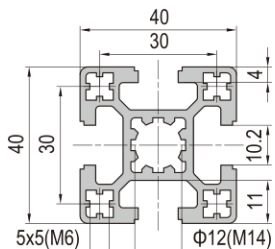
Tubular Framing System  
TFS



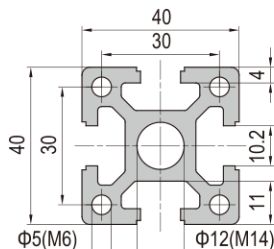


Strut Profile PG40

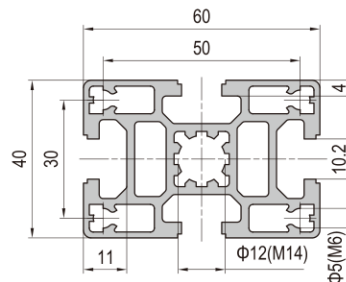
40x40 4 slots



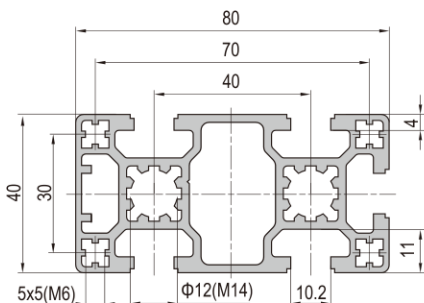
40x40 4 slots Heavy



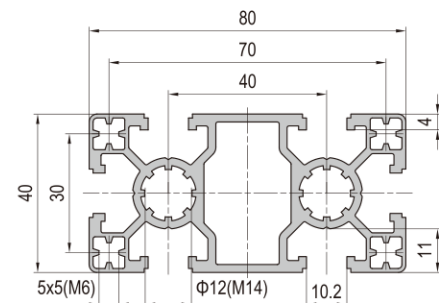
40x60 4 slots



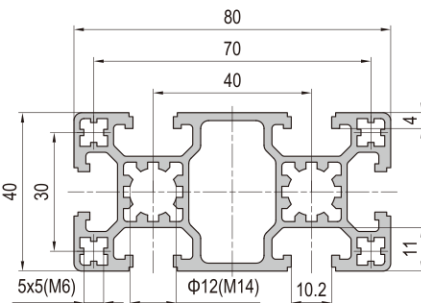
40x80 5 slots



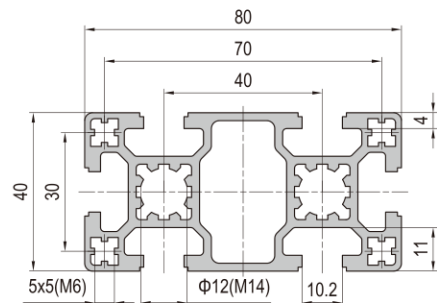
40x80 6 slots Super Light



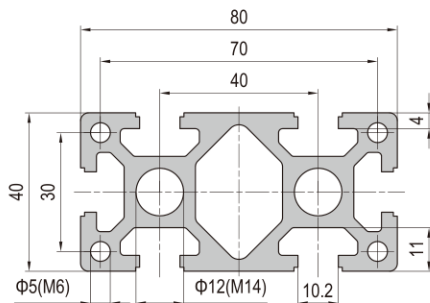
40x80 6 slots Light



40x80 6 slots



40x80 6 slots Heavy

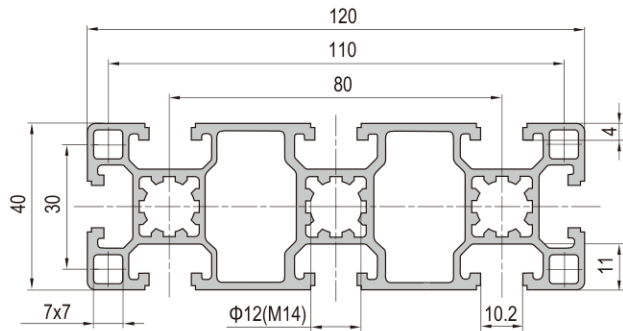


Description	Moment of Inertia $I_x(\text{cm}^4)$	Moment of Inertia $I_y(\text{cm}^4)$	Moment of Resistance $W_x(\text{cm}^3)$	Moment of Resistance $W_y(\text{cm}^3)$	Mass (kg/m)	Part No.
Strut Profile PG40 40x40 4 slots	9.1	9.1	4.6	4.6	1.6	1.11.40.040040.04
Strut Profile PG40 40x40 4 slots Heavy	11.5	11.5	5.8	5.8	2.0	1.11.40.040040.04H
Strut Profile PG40 40x60 4 slots	13.3	27.6	6.6	9.2	2.3	1.11.40.040060.04
Strut Profile PG40 40x80 5 slots	17.5	92.7	8.7	18.9	2.7	1.11.40.040080.05 <b>New!</b>
Strut Profile PG40 40x80 6 slots Super Light	14.3	52.0	7.2	13.0	2.3	1.11.40.040080.06SL
Strut Profile PG40 40x80 6 slots Light	15.8	59.1	7.9	14.8	2.5	1.11.40.040080.06L
Strut Profile PG40 40x80 6 slots	16.6	63.2	8.3	15.8	2.7	1.11.40.040080.06
Strut Profile PG40 40x80 6 slots Heavy	22.2	80.8	11.1	20.2	3.6	1.11.40.040080.06H

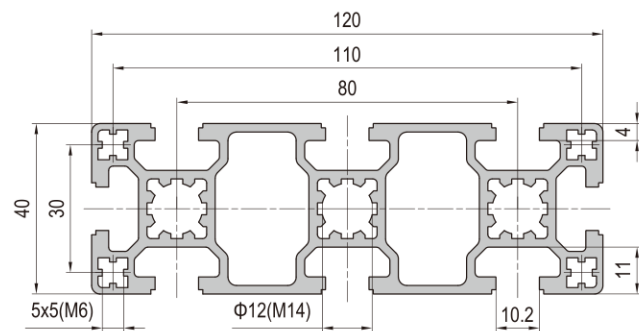


Strut Profile PG40

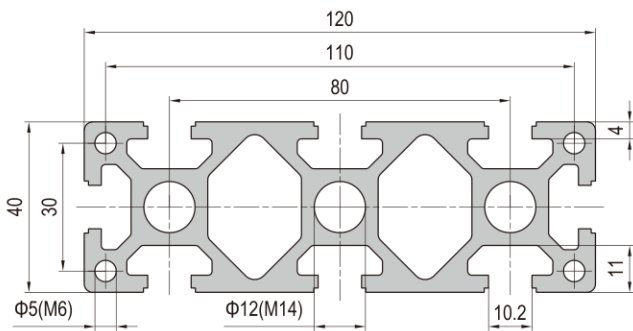
40x120 8 slots Light



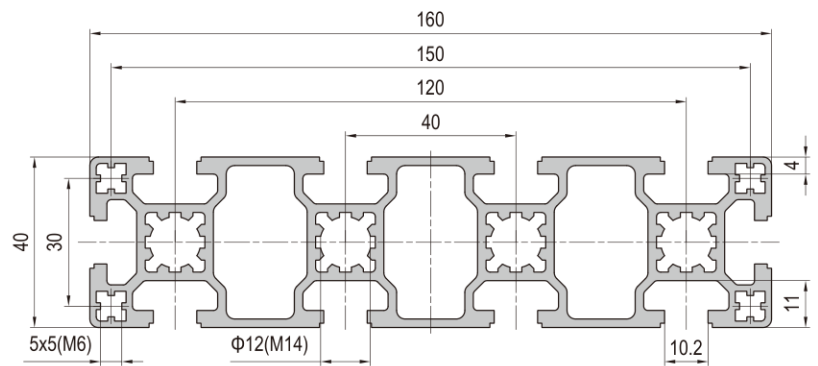
40x120 8 slots



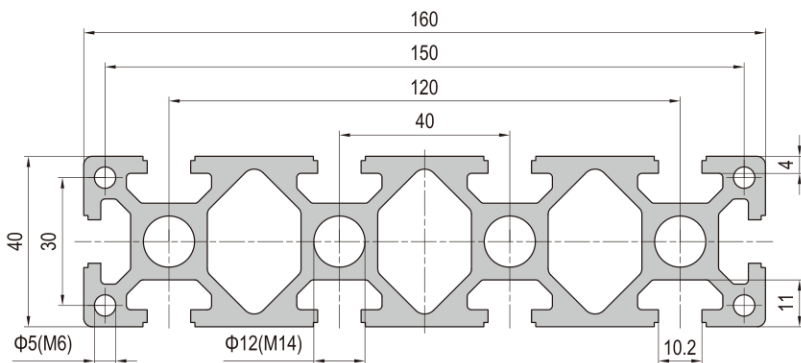
40x120 8 slots Heavy



40x160 10 slots



40x160 10 slots Heavy



Description	Moment of Inertia $I_x(\text{cm}^4)$	Moment of Inertia $I_y(\text{cm}^4)$	Moment of Resistance $W_x(\text{cm}^3)$	Moment of Resistance $W_y(\text{cm}^3)$	Mass (kg/m)	Part No.
Strut Profile PG40 40x120 8 slots Light	21	171	10.5	28.5	3.41	1.11.40.040120.08L
Strut Profile PG40 40x120 8 slots	24.1	194.8	12.1	32.5	3.8	1.11.40.040120.08
Strut Profile PG40 40x120 8 slots Heavy	33.0	255.3	16.5	42.6	5.2	1.11.40.040120.08H
Strut Profile PG40 40x160. 10 slots	31.6	435.7	15.8	54.5	4.8	1.11.40.040160.10
Strut Profile PG40 40x160 10 slots Heavy	43.7	582.2	21.8	72.8	6.8	1.11.40.040160.10H

Modular Assembly System  
MAS

Machine Guard System  
MGS

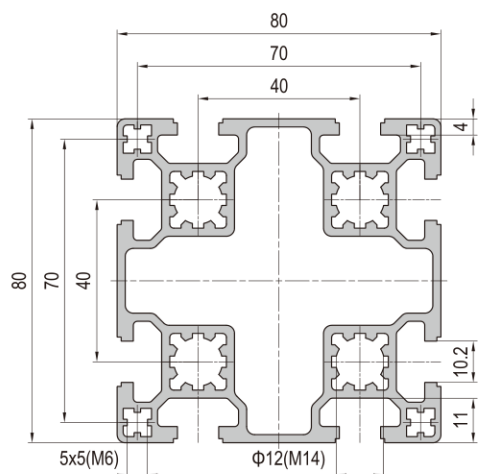
Stair and Platform System  
SPS

Tubular Framing System  
TFS

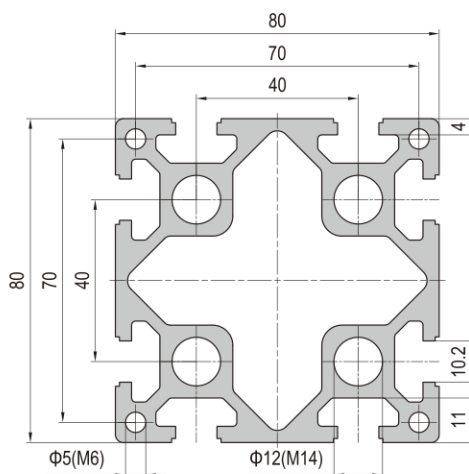


Strut Profile PG40  
 40

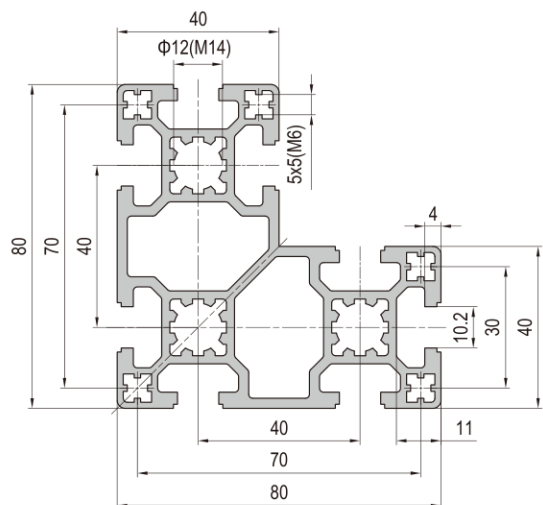
80x80 8 slots



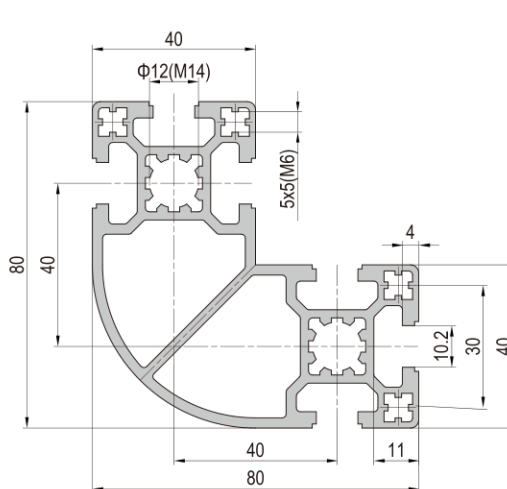
80x80 8 slots Heavy



80x80 L 8 slots



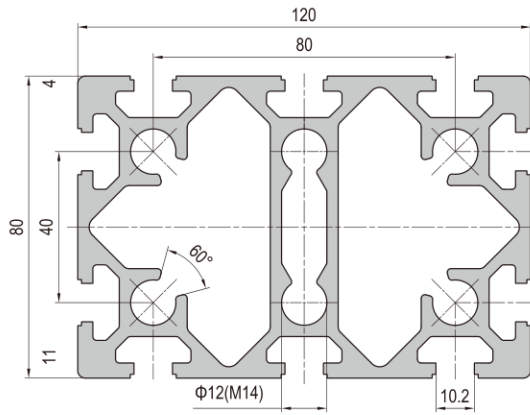
80x80 R90 6 slots



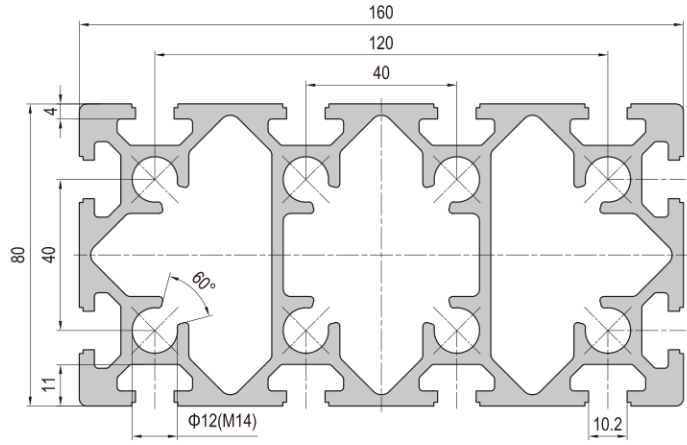
Description	Moment of Inertia $I_x(\text{cm}^4)$	Moment of Inertia $I_y(\text{cm}^4)$	Moment of Resistance $W_x(\text{cm}^3)$	Moment of Resistance $W_y(\text{cm}^3)$	Mass (kg/m)	Part No.
Strut Profile PG40 80x80 8 slots	109.9	109.9	27.5	27.5	4.2	1.11.40.080080.08
Strut Profile PG40 80x80 8 slots Heavy	148.2	148.2	37.1	37.1	5.7	1.11.40.080080.08H
Strut Profile PG40 80x80 L 8 slots	83.9	83.9	24.7	24.7	4.0	1.11.40.080080L.08
Strut Profile PG40 80x80 R90 6 slots	73	73	20	20	3.4	1.11.40.080080.R90.06

Strut Profile PG40

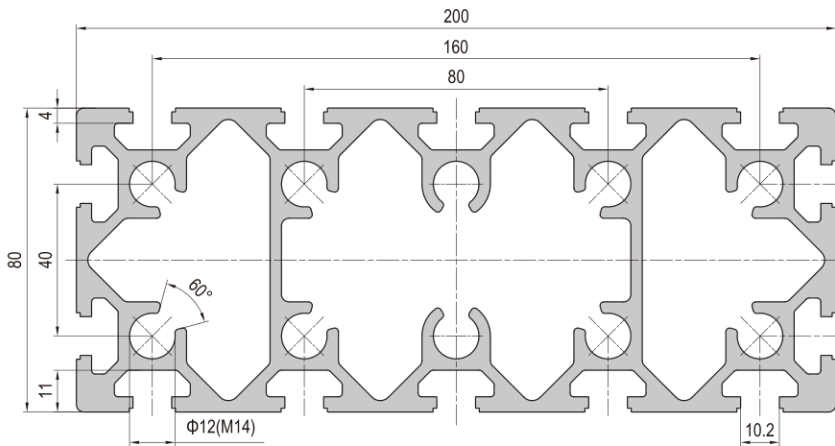
80x120 10 slots



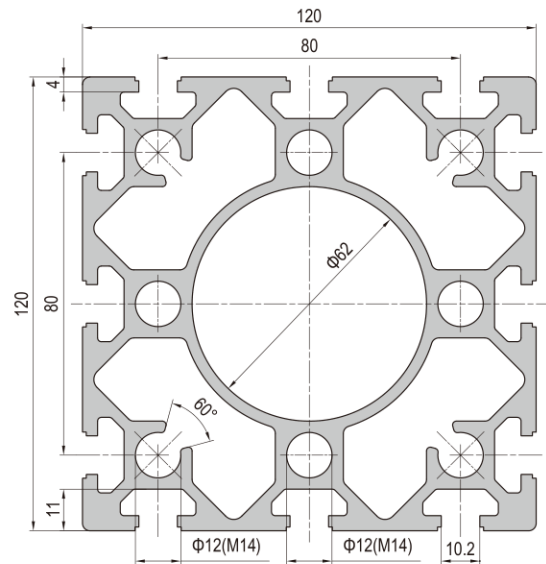
80x160 12 slots



80x200 14 slots



120x120 12 slots



Modular Assembly System  
 MAS  
 Machine Guard System  
 MGS  
 Stair and Platform System  
 SPS  
 Tubular Framing System  
 TFS

Description	Moment of Inertia $I_x(\text{cm}^4)$	Moment of Inertia $I_y(\text{cm}^4)$	Moment of Resistance $W_x(\text{cm}^3)$	Moment of Resistance $W_y(\text{cm}^3)$	Mass (kg/m)	Part No.
Strut Profile PG40 80x120 10 slots	222.1	449.2	55.5	74.8	8.3	1.11.40.080120.10
Strut Profile PG40 80x160 12 slots	287.5	975.5	71.9	121.9	10.4	1.11.40.080160.12
Strut Profile PG40 80x200 14 slots	353.1	1789.8	88.3	179.0	12.3	1.11.40.080200.14
Strut Profile PG40 120x120 12 slots	659.1	659.1	109.9	109.9	11.5	1.11.40.120120.12

