

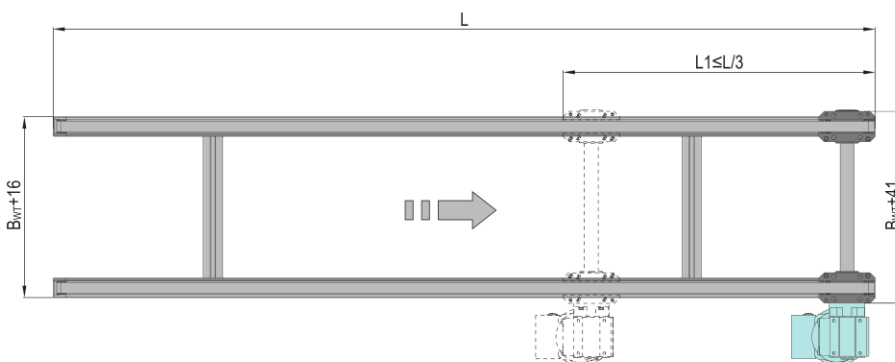
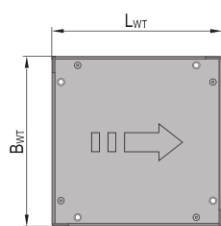
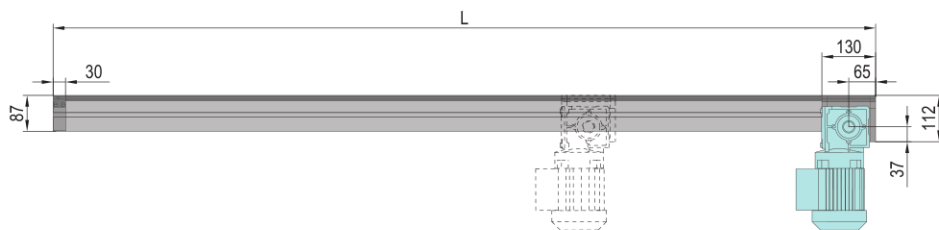
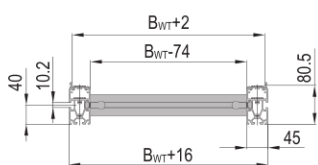
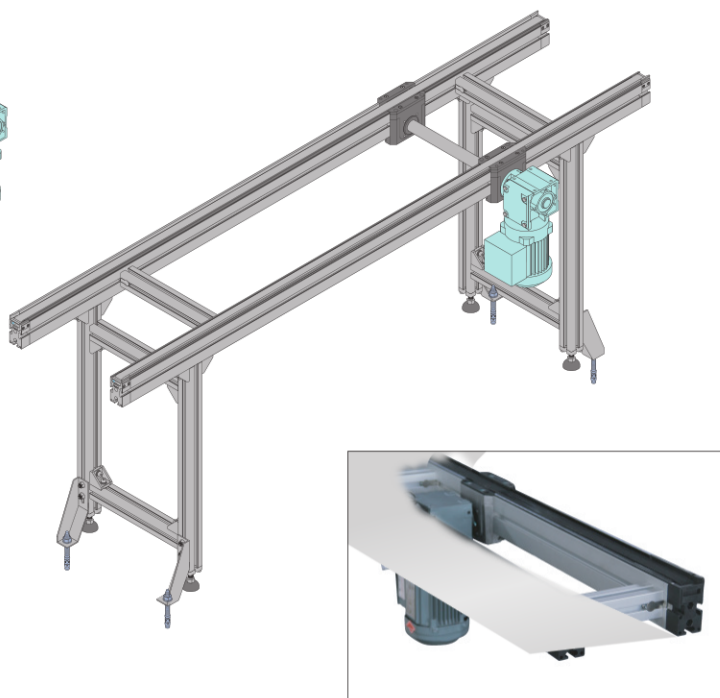






PTS1 Pallet Conveyor (End Drive/Center Drive)

 Delivery **15** Workday
 Please contact us for non-standard products

End Drive

Center Drive

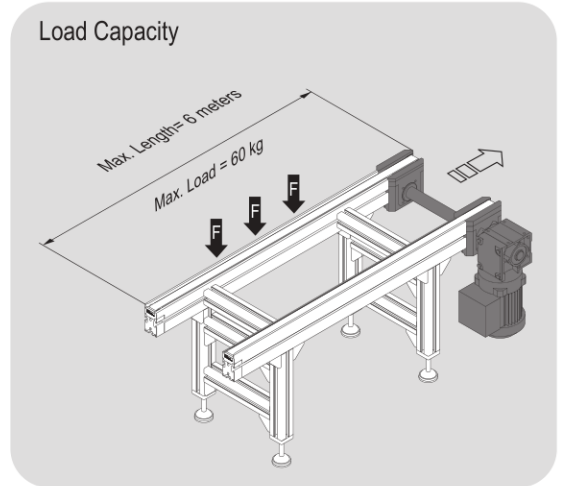


-  To be used only with Modular pallet for now. For the pallet from other suppliers or made by customers, we need to verify for the compatibility in advance, or we don't guarantee on the main conveyor line or related units.
-  Workpiece pallets should be conveyed toward a drive unit. Reversible operation will lower a third of conveying capacity.
-  When selecting center drive conveyor, the drive unit should be close to the conveyor end and within a third of conveyor length.
-  The length of conveyor body should be multiple of five. Pallet conveying width B_{WT}+2 tolerance range is ±1mm.



Specifications

Conveyor Length	$400 \leq L \leq 6000$ mm
Pallet Width	$160 \leq B_{WT} \leq 1200$ mm
Conveyor Height	Customer Specified
Max. Load Capacity	60 kg
Max. Conveyor Speed	V max. = 20 m/min
Drive Model	Direct
Conveying Medium	Special toothed belt



Unit Load Capacity ≤ 1 kg/cm.

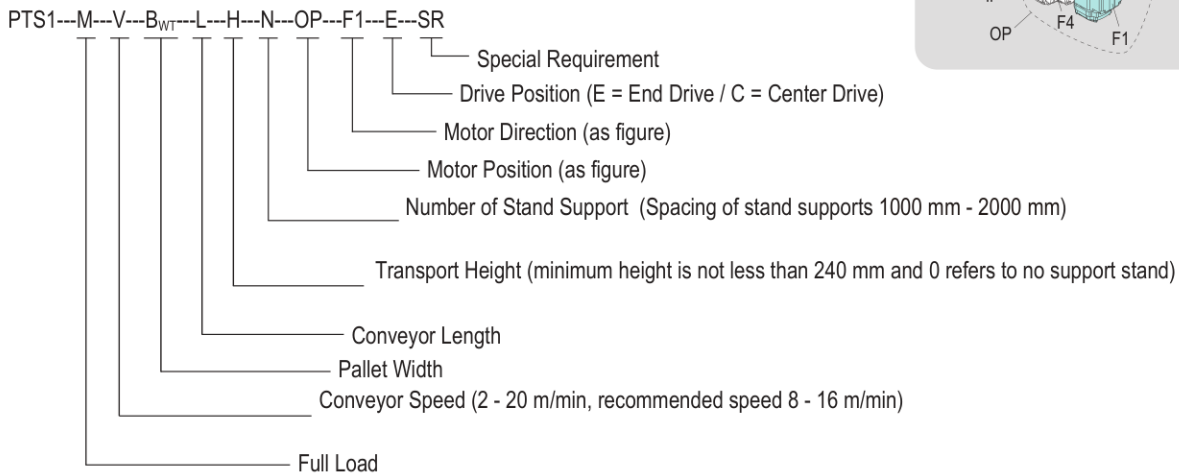
Features/Benefits

1. Modular design, part production in mold, easy to assemble and maintenance.
2. Due to its modular components, it can be adapted to suit specific production conditions and in conjunction with specific units including rotate unit, curve, lift and transverse unit and lift unit.
3. T slot aluminum profile frame for easy accessory attachment (sensor, bracket etc).
4. Conveying medium is antistatic toothed belt.

Industries Served

Factory Automation, Electronics, Automobile Parts etc.

Ordering Reference



Example

PTS1---M30---V16---B_{WT}160---L2000---H800---N2---OP---F1---C300

PTS1 pallet conveyor---full load 30 kg---conveyor speed 16 m/min---pallet width 160 mm---conveyor length 2000 mm---transport height 800 mm--- 2 sets of stand supports---motor position OP---motor direction F1---center drive, L1=300.

Motor Layout

