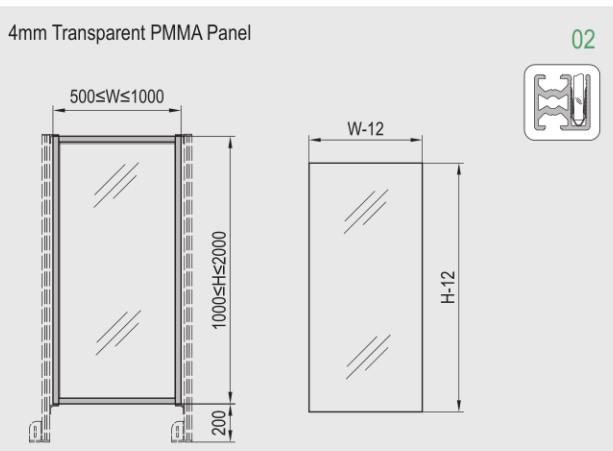
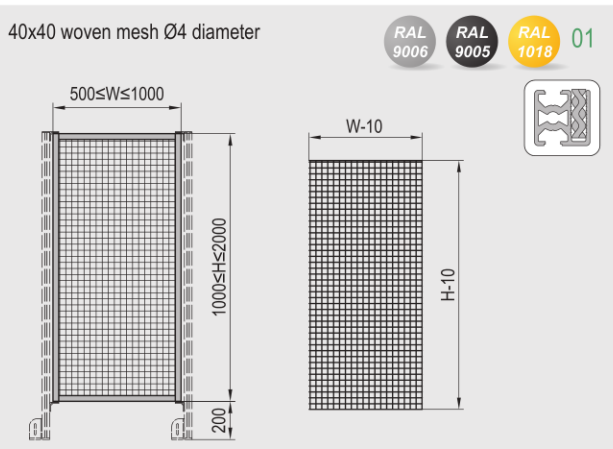


Protective Grille Unit

PG30 Type A

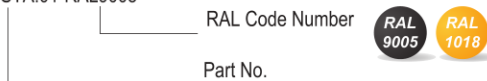


Description	H (mm)	W (mm)	Mass (kg)	Part No.
PG30-Type A-01	1400	425	6.5	PN30.14000425.STA.01
		675	8.8	PN30.14000675.STA.01
		925	11	PN30.14000925.STA.01
	1800	425	8.2	PN30.18000425.STA.01
		675	10.9	PN30.18000675.STA.01
		925	13.7	PN30.18000925.STA.01
PG30-Type A-02	1400	425	6.5	PN30.14000425.STA.02
		675	8.7	PN30.14000675.STA.02
		925	10.8	PN30.14000925.STA.02
	1800	425	8.1	PN30.18000425.STA.02
		675	10.7	PN30.18000675.STA.02
		925	12.9	PN30.18000925.STA.02

Item Number Reference

The part number is for gray woven mesh in the default configuration, please specify with RAL code if other color is required, such as RAL9005 for black, RAL1018 for yellow.

ex: PN30.14000425.STA.01-RAL9005



Associated kits (To be ordered separately)



Strut Elements Page 19-24



Connecting Element Page 25

Modular Assembly System

MAS

Machine Guard System

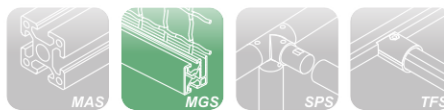
MGS

Stair and Platform System

SPS

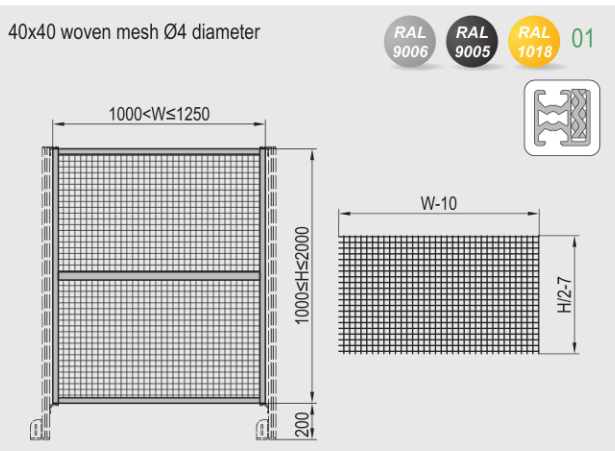
Tubular Framing System

TFS



Protective Grille Unit

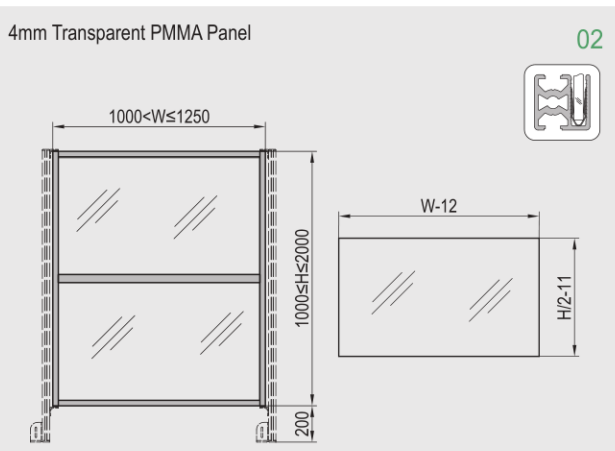
PG30 Type B



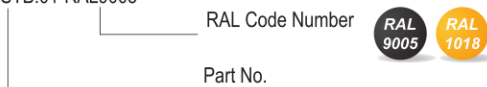
Description	H (mm)	W (mm)	Mass (kg)	Part No.
PG30-Type B-01	1400	1175	14.6	PN30.14001175.STB.01
	1800		17.8	PN30.18001175.STB.01
PG30-Type B-02	1400		14.4	PN30.14001175.STB.02
	1800		17.5	PN30.18001175.STB.02

Item Number Reference

The part number is for gray woven mesh in the default configuration, please specify with RAL code if other color is required, such as RAL9005 for black, RAL1018 for yellow.



ex: PN30.14001175.STB.01-RAL9005



Associated kits (To be ordered separately)



Strut Elements Page 19-24

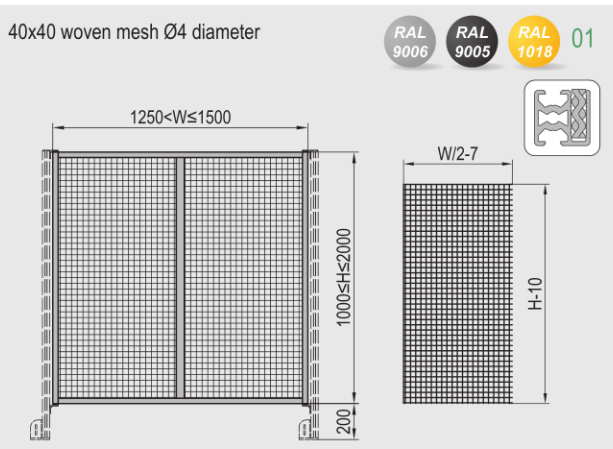


Connecting Element Page 25



Protective Grille Unit

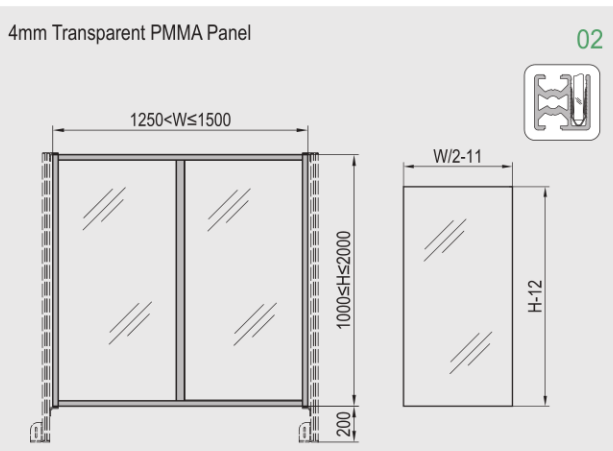
PG30 Type C



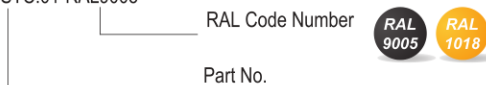
Description	H (mm)	W (mm)	Mass (kg)	Part No.
PG30-Type C-01	1400	1425	17.1	PN30.14001425.STC.01
	1800		21.3	PN30.18001425.STC.01
PG30-Type C-02	1400		16.9	PN30.14001425.STC.02
	1800		20.9	PN30.18001425.STC.02

Item Number Reference

The part number is for gray woven mesh in the default configuration, please specify with RAL code if other color is required, such as RAL9005 for black, RAL1018 for yellow.



ex: PN30.14001425.STC.01-RAL9005



Associated kits (To be ordered separately)



Strut Elements Page 19-24



Connecting Element Page 25

Modular Assembly System

MAS

Machine Guard System

MGS

Stair and Platform System

SPS

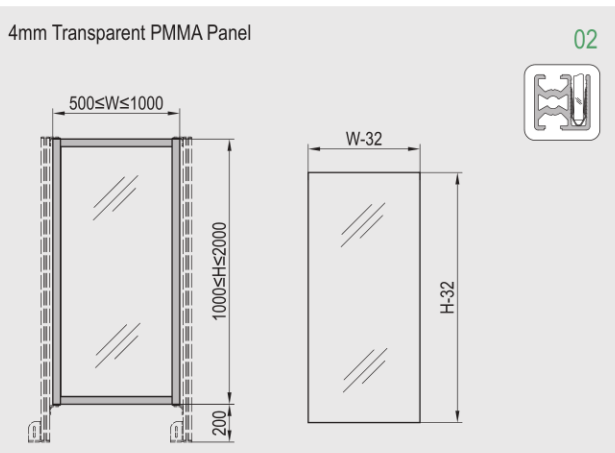
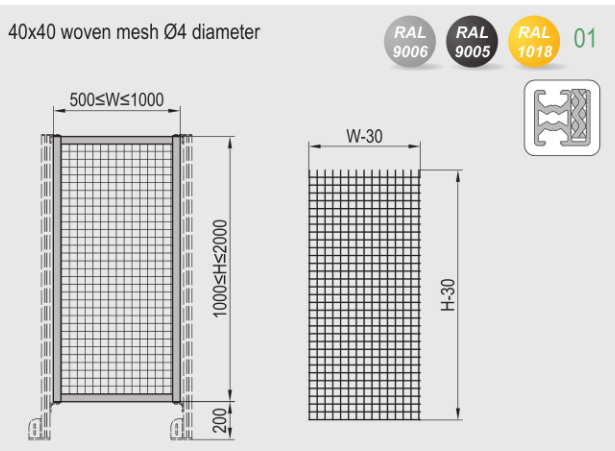
Tubular Framing System

TFS



Protective Grille Unit

PG40 Type A

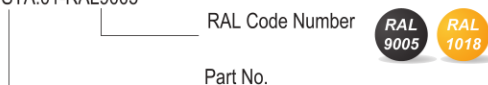


Description	H (mm)	W (mm)	Mass (kg)	Part No.
PG40-Type A-01	1400	420	8.3	PN40.14000420.STA.01
		670	10.8	PN40.14000670.STA.01
		920	13.4	PN40.14000920.STA.01
	1800	420	10.4	PN40.18000420.STA.01
		670	13.4	PN40.18000670.STA.01
		920	16.4	PN40.18000920.STA.01
PG40-Type A-02	1400	420	8.3	PN40.14000420.STA.02
		670	10.7	PN40.14000670.STA.02
		920	13.2	PN40.14000920.STA.02
	1800	420	10.3	PN40.18000420.STA.02
		670	12.5	PN40.18000670.STA.02
		920	16.2	PN40.18000920.STA.02

Item Number Reference

The part number is for gray woven mesh in the default configuration, please specify with RAL code if other color is required, such as RAL9005 for black, RAL1018 for yellow.

ex: PN40.14000420.STA.01-RAL9005



Associated kits (To be ordered separately)



Strut Elements Page 19-24

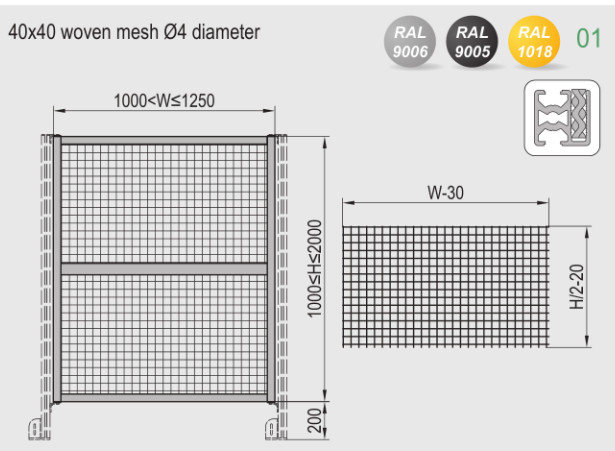


Connecting Element Page 25



Protective Grille Unit

PG40 Type B

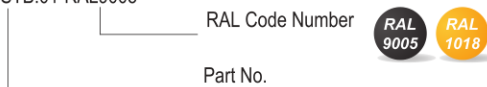


Description	H (mm)	W (mm)	Mass (kg)	Part No.
PG40-Type B-01	1400	1170	18.1	PN40.14001170.STB.01
	1800		21.6	PN40.18001170.STB.01
PG40-Type B-02	1400		17.9	PN40.14001170.STB.02
	1800		23.4	PN40.18001170.STB.02

Item Number Reference

The part number is for gray woven mesh in the default configuration, please specify with RAL code if other color is required, such as RAL9005 for black, RAL1018 for yellow.

ex: PN40.14001170.STB.01-RAL9005



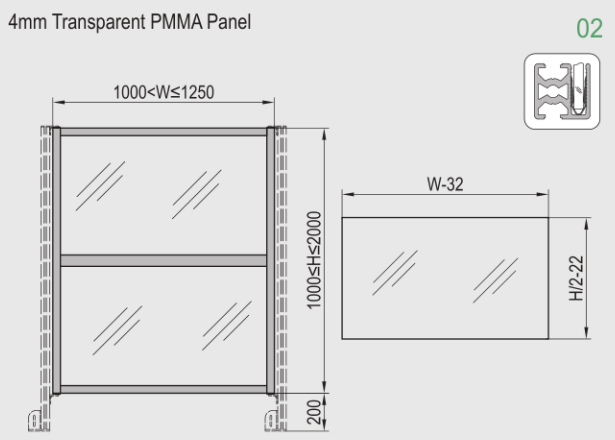
Associated kits (To be ordered separately)



Strut Elements Page 19-24



Connecting Element Page 25



Modular Assembly System

MAS

Machine Guard System

MGS

Stair and Platform System

SPS

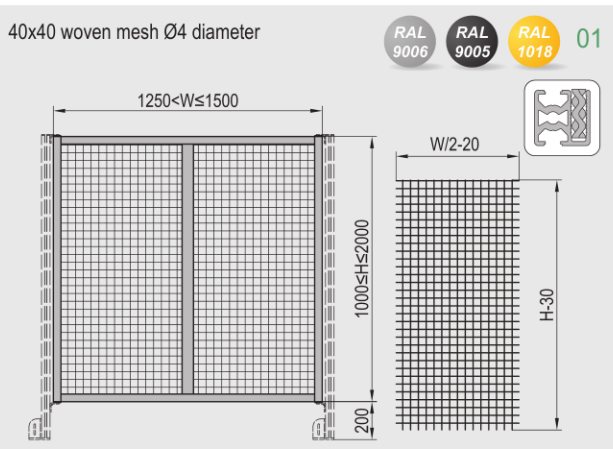
Tubular Framing System

TFS



Protective Grille Unit

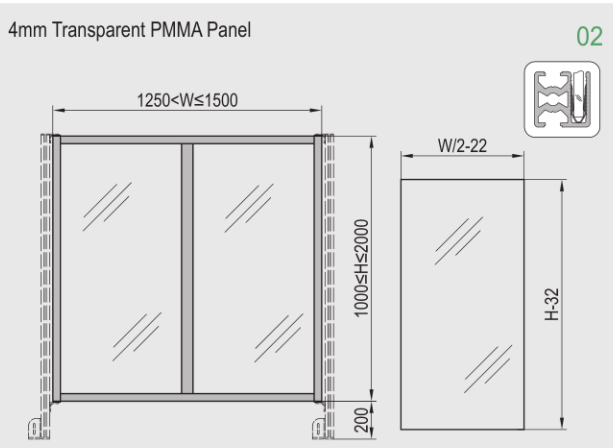
PG40 Type C



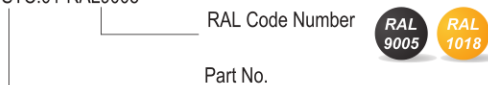
Description	H (mm)	W (mm)	Mass (kg)	Part No.
PG40-Type C-01	1400	1420	21	PN40.14001420.STC.01
	1800		25.9	PN40.18001420.STC.01
PG40-Type C-02	1400		20.8	PN40.14001420.STC.02
	1800		25.5	PN40.18001420.STC.02

Item Number Reference

The part number is for gray woven mesh in the default configuration, please specify with RAL code if other color is required, such as RAL9005 for black, RAL1018 for yellow.



ex: PN40.14001420.STC.01-RAL9005



Associated kits (To be ordered separately)



Strut Elements Page 19-24



Connecting Element Page 25



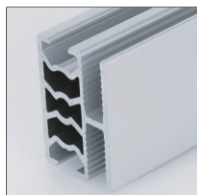
Protective Grille Profile

Protective grille profile could insert not only the meshes but also the panels, and the spring clamping nut will be used if inserting panels, the recommended distance of nut is 300mm (refer to Page 15).

PG30



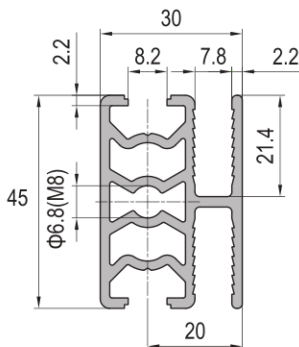
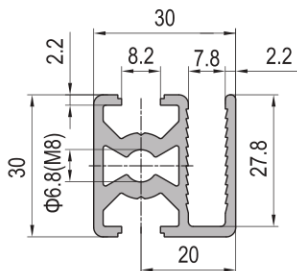
30x30 1 Grille slot



30x45 2 Grille slots

30x30 1 Grille slot

30x45 2 Grille slots



Description	Moment of Inertia $I_x(\text{cm}^4)$	Moment of Inertia $I_y(\text{cm}^4)$	Moment of Resistance $W_x(\text{cm}^3)$	Moment of Resistance $W_y(\text{cm}^3)$	Mass (kg/m)	Part No.
Protective Grille Profile PG30 30x30 1 Grille slot	3.37	2.47	2.2	1.6	0.94	1.22.30.030030.01
Protective Grille Profile PG30 30x45 2 Grille slots	7.22	4.67	4.81	2.08	1.24	1.22.30.030045.02

Modular Assembly System

MAS

Machine Guard System

MGS

Stair and Platform System

SPS

Tubular Framing System

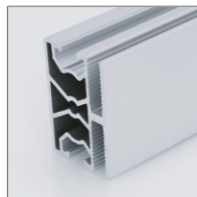
TFS



PG40 40

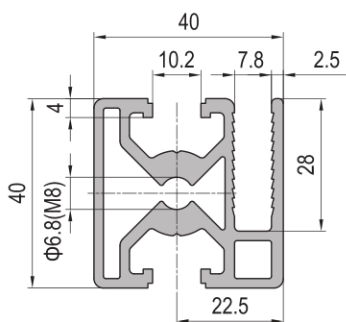


40x40 1 Grille slot

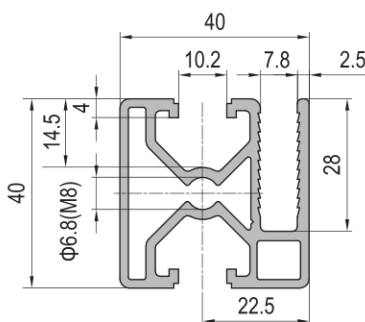


40x60 2 Grille slots

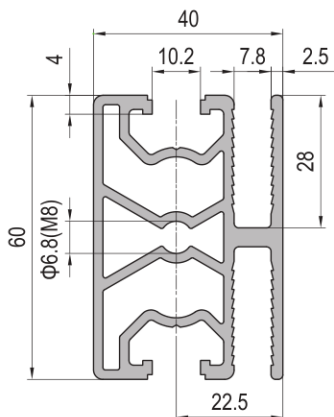
40x40 1 Grille slot



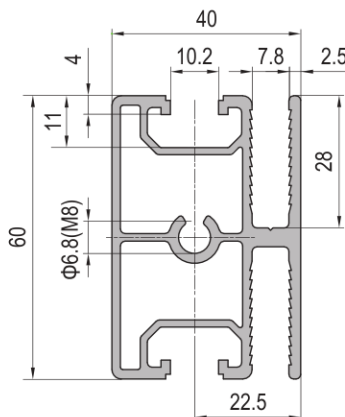
40x40 1 Grille slot Light



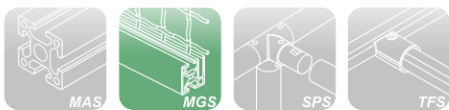
40x60 2 Grille slots

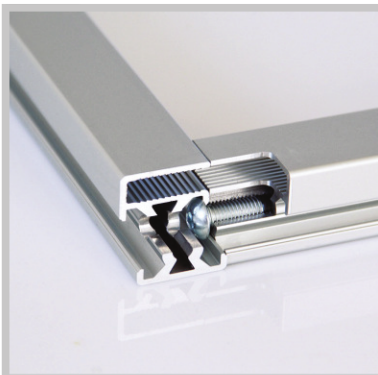


40x60 2 Grille slots Light



Description	Moment of Inertia $I_x(\text{cm}^4)$	Moment of Inertia $I_y(\text{cm}^4)$	Moment of Resistance $W_x(\text{cm}^3)$	Moment of Resistance $W_y(\text{cm}^3)$	Mass (kg/m)	Part No.
Protective Grille Profile PG40 40x40 1 Grille slot	9.85	8.05	4.93	4.03	1.6	1.22.40.040040.01
Protective Grille Profile PG40 40x60 2 Grille slots Light	7.38	8.7	3.56	4.03	1.35	1.22.40.040040.01L
Protective Grille Profile PG40 40x40 1 Grille slot	23.25	13.57	11.63	4.52	2.0	1.22.40.040060.02
Protective Grille Profile PG40 40x60 2 Grille slots Light	20.8	13.87	6.93	6.6	1.76	1.22.40.040060.02L

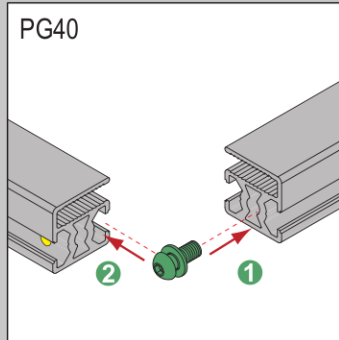




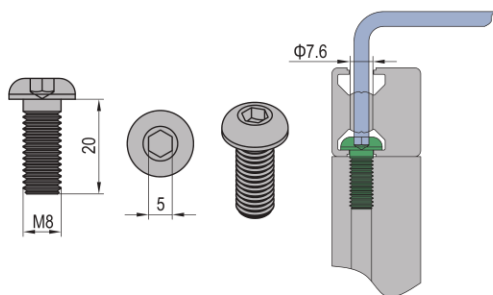
Bolt Connector

A simple and economic way to replace end connector with more connection reliability.

Material: zinc plated steel



AE	Fastening Set
	M8 Washer zinc plated



Description	Fastening Set	Mass (g)	Part No.
Bolt Connector-PG30		10	3.81.M8.20
Bolt Connector-PG40	1xAE	12	3.81.M8.20.ST

Modular Assembly System

MAS

Machine Guard System

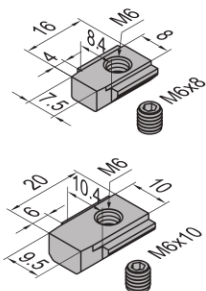
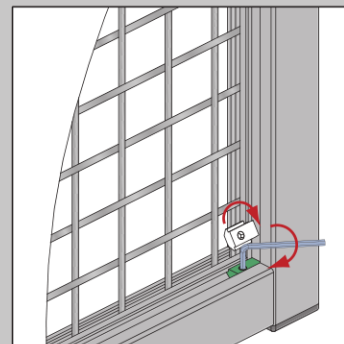
MGS



Anti-torsion Subsequent Nut

Prevent torsion from connecting profiles with screw connectors.

Material: nickel plated steel



	6.2 2.0		8.2 2.2		10.2 4.0		10.2 6.0
	6.2 2.0		8.2 2.2		10.2 4.0		10.2 6.0

Description	Mass (g)	Part No.
Anti-torsional Subsequent Nut-8 (with top thread)	10	2.32.08.M6
Anti-torsional Subsequent Nut-10 (with top thread)	15	2.32.10.M6

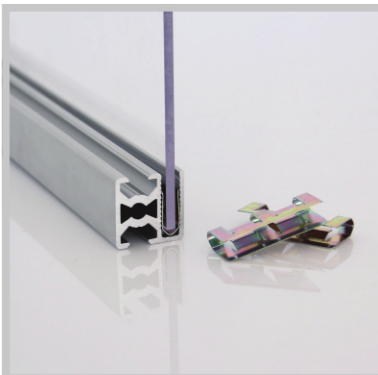
Stair and Platform System

SPS

Tubular Framing System

TFS

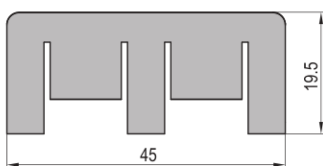
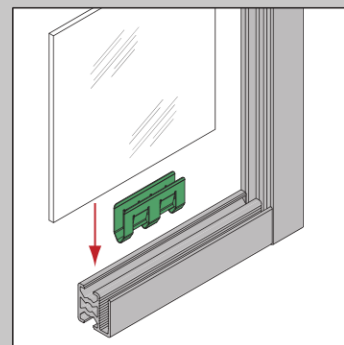




Spring Clamping Nut

Spring clamping nut has to be used when inserting panels and recommend installing distance is 300mm.

Material: spring steel



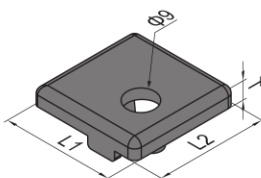
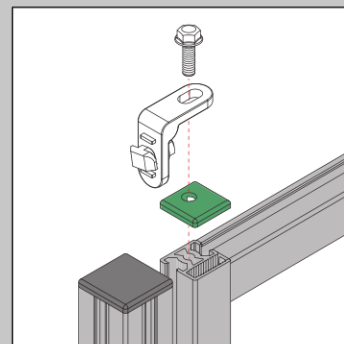
Description	Mass (g)	Part No.
Spring Clamping Nut	7	6.42.01



End Cap for Protective Grille Profile

To prevent injury and improve end appearance, the bore hole enables assembly of profile and connectors.

Material: Black ABS



Description	L1 (mm)	L2 (mm)	T (mm)	Mass (g)	Part No.
End Cap for Protective Grille Profile- PG30-3030	30	30	5	4	4.13.30.3030.SM
End Cap for Protective Grille Profile- PG40-4040	40	40		6	4.13.40.4040.SM

