



**NICOLA'S
MACHINERY**

TRACTOR PARTS CATALOGUE

TRIDENT MODEL 404/454



ABN: 14617249831

Direct Line: 08 7228 6817



Website: www.nicolasmachinery.com.au

Address: 40 Donegal Road Lonsdale, SA 5160

目录 CONTENTS

序号 No.	代码 Code	名称 Description		页次 Page
1	TE250.11F	11-空气滤清系总成	11-AIR FILTER SYSTEM ASSEMBLY	1
2	TE250.13B	13-冷却系总成	13-COOLING SYSTEM ASSEMBLY	3
3	TE250.212B	21.2-离合器操纵总成	21.2-CLUTCH CONTROL ASSEMBLY	5
4	TE250.22	22-排气系总成	22-EXHAUST SYSTEM ASSEMBLY	7
5	TE254.312G	31.2-托架总成	31.2-BRACKET ASSEMBLY	9
6	TE254.312M	31.2-托架总成	31.2-BRACKET ASSEMBLY	11
7	TE254.313G	31.3-前支撑座总成	31.3-FRONT SUPPORT SEAT ASSEMBLY	13
8	TE254.314G	31.4-后支撑座总成	31.4-REAR SUPPORTING SEAT ASSEMBLY	15
9	TE284.32F	32-前驱动轮总成	32-FRONT DRIVING WHEEL ASSEMBLY	17
10	FT250.34F.001	34-后驱动轮总成	34-REAR DRIVING WHEEL ASSEMBLY	19
11	FT250.35.001	35-牵引装置装配总成	35-TOWING MECHANISM INSTALLATION ASSEMBLY	21
12	TE254.361K	36.1-离合器壳体总成	36.1-CLUTCH HOUSING ASSEMBLY	23
13	TE250.373C-1	37.3传动箱操纵机构总成-1	37.3TRANSMISSION CONTROL MECHANISM	27
14	TE250.373C-2	37.3传动箱操纵机构总成-2	37.3TRANSMISSION CONTROL MECHANISM	29
15	TE250.373C-3	37.3传动箱操纵机构总成-3	37.3TRANSMISSION CONTROL MECHANISM	33
16	TE250.391	39.1-最终传动总成(左)	39.1-FINAL TRANSMISSION ASSEMBLY (LEFT)	35
17	TE250.392	39.2-最终传动总成(右)	39.2-FINAL TRANSMISSION ASSEMBLY (RIGHT)	37
18	TE250.401GZC	40.1-转向盘	STEERING PLATE	39
19	TE254.402D-1	40.2转向管路总成-1	40.2STEERING PIPE ASSEMBLY-1	41
20	TE254.402D-2	40.2转向管路总成-2	40.2STEERING PIPE ASSEMBLY-2	45
21	TE250.403B	40.3-转向管柱总成	40.3-STEERING PIPE COLUMN ASSEMBLY	47
22	TE250.411C	41.1-动力输出轴总成	41.1-PTO SHAFT ASSEMBLY	49
23	TE250.412C	41.2-动力输出齿轮总成	41.2-PTO GEAR ASSEMBLY	51
24	TE250.413B	41.3-动力输出操纵机构总成	41.3-PTO CONTROL MECHANISM ASSEMBLY	53
25	TE254.421B	42.1-分动箱总成	42.1-TRANSFER CASE ASSEMBLY	57

目录 CONTENTS

序号 No.	代码 Code	名称 Description		页次 Page
26	TE254.422A	42.2-分动箱传动轴总成	42.2-TRANSFER CASE TRANSMISSION SHAFT	61
27	TE254.423A	42.3-分动箱操纵总成	42.3-TRANSFER CASE CONTROL ASSEMBLY	63
28	FT250.43.001-1	43制动器及操纵机构	43BRAKE AND CONTROL MECHANISM	67
29	FT250.43.001-2	43制动器及操纵机构-2	43BRAKE AND CONTROL MECHANISM-2	69
30	FT250.44B.001	44-座椅总成	44-SEAT ASSEMBLY	73
31	TE250.45U	45-地板总成	45-FLOOR ASSEMBLY	75
32	TE250.46B	46-安全架总成	46-SAFETY FRAME ASSEMBLY	79
33	TE250.471D	47.1-机罩装配总成	47.1-HOOD MOUNTING ASSEMBLY	81
34	TE250.472	47.2-仪表台装配总成	47.2-DASHBOARD INSTALLATION ASSEMBLY	85
35	TE250.475A	47.5-龙门架安装总成	47.5-PORTAL FRAME INSTALLATION ASSEMBLY	87
36	TE250.476	47.6-气弹簧安装总成	47.6-PNEUMATIC SPRING INSTALLATION ASSEMBLY	89
37	TE250.477	47.7-机罩锁装配总成	47.7-BONNET LOCK INSTALLATION ASSEMBLY	91
38	TE250.481	48.1-发动机线束安装总成	48.1-ENGINE HARNESS INSTALLATION ASSEMBLY	93
39	TE250.482G	48.2-车身线束安装总成	48.2-BODY HARNESS INSTALLATION ASSEMBLY	95
40	TE250.483	48.3-前灯线束安装总成	48.3-FRONT LAMP HARNESS INSTALLATION	97
41	TE250.484D	48.4-后灯线束安装总成	48.4-REAR LAMP HARNESS INSTALLATION ASSEMBLY	99
42	TE250.485C	48.5-蓄电池安装总成	48.5-BATTERY INSTALLATION ASSEMBLY	103
43	TE250.487ZC	48.7-组合仪表总成	48.7-COMBINED INSTRUMENT ASSEMBLY	105
44	FT250.49.001	49-工具箱安装总成	49-TOOL BOX INSTALLATION ASSEMBLY	107
45	TE300.50E	50-燃油箱总成	50-FUEL OIL TANK ASSEMBLY	109
46	TE250.55-1	55提升器装配总成-1	55RAISER MOUNTING ASSEMBLY-1	111
47	TE250.55-2	55提升器装配总成-2	55RAISER MOUNTING ASSEMBLY-2	119
48	FT250.56.001-1	56悬挂机构总成-1	SUSPENSION MECHANISM ASSEMBLY-1	123
49	FT250.56.001-2	56悬挂机构总成-2	SUSPENSION MECHANISM ASSEMBLY-2	127
50	FT250.57.001	57-分配器总成	57-DISTRIBUTOR ASSEMBLY	131

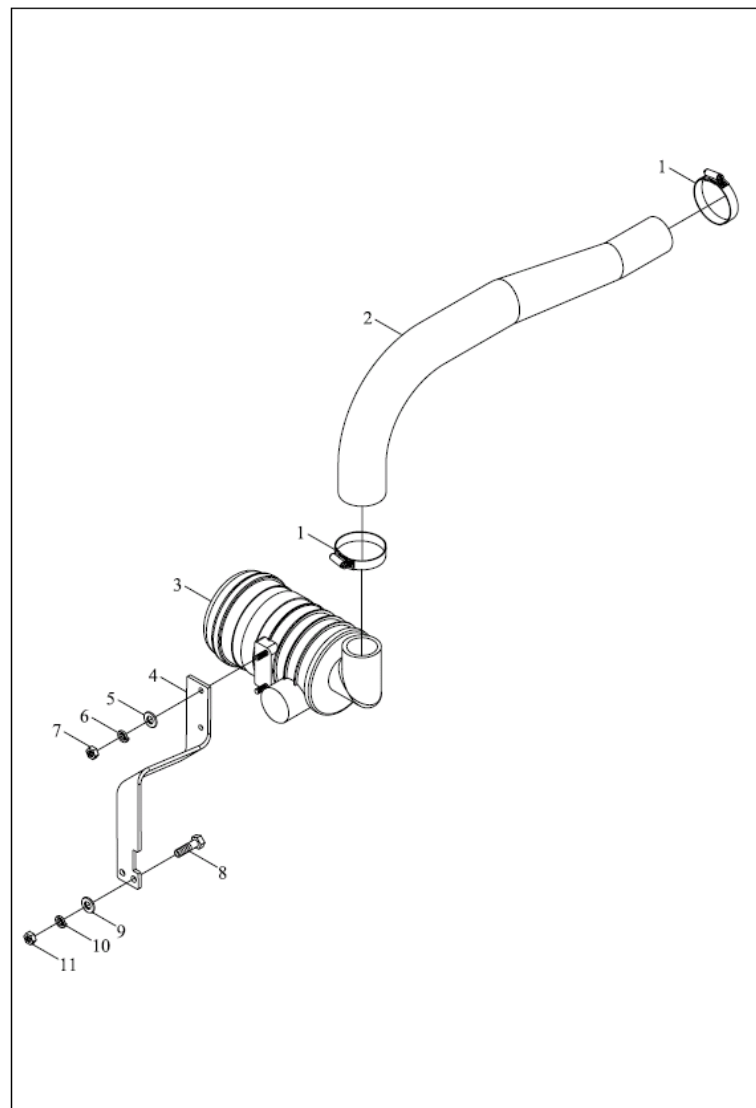
目录 CONTENTS

序号 No.	代码 Code	名称 Description		页次 Page
51	TE250.58A	58-液压输出管路总成	58-HYDRAULIC OUTPUT PIPE ASSEMBLY	135
52	TE254.581F	58.1-油泵油管总成	58.1-OIL PUMP PIPE ASSEMBLY	137
53	TE254.582M	58.2-多路阀油管总成	58.2-MULTI-WAY VALVE OIL PIPE ASSEMBLY	139
54	TA600.62ZC	62-安全带	62-SAFETY BELT	141
55	FT250.74.001	74-前配重总成	74-FRONT BALLAST ASSEMBLY	143
56	FT250.91B.001	91-后配重总成	91-REAR BALLAST ASSEMBLY	145
57	TE250.372B-1	传动箱后中央总成-1	TRANSMISSION REAR CENTER ASSEMBLY-1	147
58	TE250.372B-2	传动箱后中央总成-2	TRANSMISSION REAR CENTER ASSEMBLY-2	151
59	TE250.371E-1	传动箱总成-1	TRANSMISSION CASE ASSEMBLY-1	153
60	TE250.371E-2	传动箱总成-2	TRANSMISSION CASE ASSEMBLY-2	157
61	KM385BT-1E1-06	凸轮轴总成	CAMSHAFT ASSEMBLY	161
62	TE254.311G-1	前驱动桥总成-1	FRONT DRIVING AXLE ASSEMBLY-1	163
63	TE254.311G-2.1	前驱动桥总成-2.1	FRONT DRIVING AXLE ASSEMBLY-2.1	167
64	TE254.311G-2.2	前驱动桥总成-2.2	FRONT DRIVING AXLE ASSEMBLY-2.2	171
65	TE254.311G-3.1	前驱动桥总成-3.1	FRONT DRIVING AXLE ASSEMBLY-3.1	175
66	TE254.311G-3.2	前驱动桥总成-3.2	FRONT DRIVING AXLE ASSEMBLY-3.2	179
67	TE254.311G-4.1	前驱动桥总成-4.1	FRONT DRIVING AXLE ASSEMBLY-4.1	181
68	TE254.311G-4.2	前驱动桥总成-4.2	FRONT DRIVING AXLE ASSEMBLY-4.2	185
69	TE254.311G-5	前驱动桥总成-5	FRONT DRIVING AXLE ASSEMBLY-5	189
70	TE254.311G-6	前驱动桥总成-6	FRONT DRIVING AXLE ASSEMBLY-6	193
71	TE254.20-1	发动机操纵机构总成-1	ENGINE CONTROL MECHANISM ASSEMBLY-1	197
72	TE254.20-2	发动机操纵机构总成-2	ENGINE CONTROL MECHANISM ASSEMBLY-2	199
73	KM385BT-1E1-12	排气系统总成	EXHAUST SYSTEM	201
74	KM385BT-1E1-09	曲轴总成	CRANK SHAFT ASSEMBLY	203
75	KM385BT-1E1-01	机体总成 (一)	CYLINDER BLOCK 1	205

目录 CONTENTS

序号 No.	代码 Code	名称 Description		页次 Page
76	KM385BT-1E1-02	机体总成 (二)	CYLINDER BLOCK 2	209
77	KM385BT-1E1-13	机油泵总成	OIL PUMP ASSEMBLY	213
78	KM385BT-1E1-07	气缸盖总成	CYLINDER HEAD ASSEMBLY	215
79	KM385BT-1E1-10	水泵总成	PUMP	219
80	KM385BT-1E1-03	油底壳	OIL SUMP	221
81	KM385BT-1E1-08	活塞连杆总成	PISTON&CONNECTING ROD ASSEMBLY	223
82	KM385BT-1E1-14	燃油系统总成	FUEL SYSTEM ASSY	225
83	KM385BT-1E1-15	电器系统总成	ELECTRIC SYSTEM ASSEMBLY	227
84	FT250.21B.011	离合器分总成	CLUTCH SUBASSEMBLY	229
85	KM385BT-1E1-11	进气系统总成	INTAKE MANIFOLD ASSY	233
86	KM385BT-1E1-04	飞轮壳总成	FLYWHEEL HOUSING ASSEMBLY	235
87	KM385BT-1E1-05	齿轮室总成	GEAR HOUSING ASSEMBLY	237

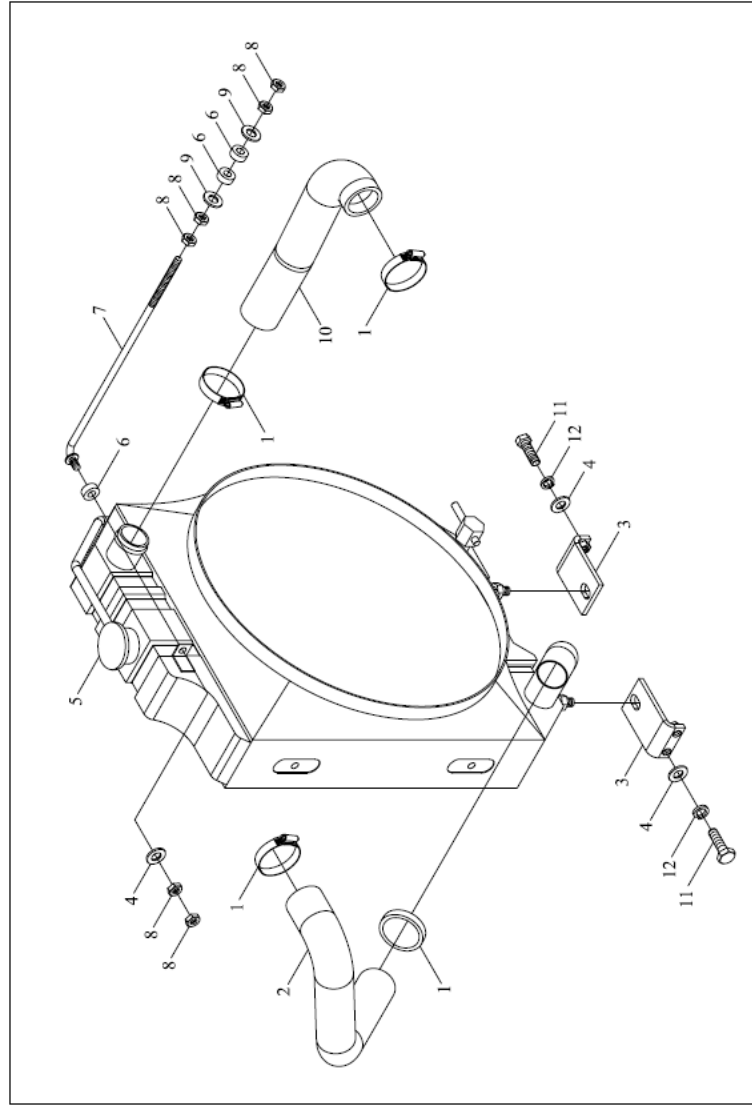
TE250.11F 空气滤清系总成



TE250.11F 11-空气滤清系总成 11-AIR FILTER SYSTEM ASSEMBLY

标号 No.	代号 Code	名称 Description		数量 Quantity	备注 Remark
1	Q67676	环箍	HOOP	2	2011-11_
10	GBT93-10-A0P	标准型弹簧垫圈	PLAIN WASHER-LARGE SSRIE	2	2011-11_
11	GBT6170-M10-A3L	螺母	NUT	2	2011-11_
2	TE250.11F-01	进气软管	HOSE,INTAKE AIR	1	2011-11_
3	TE250.11F.1	空气滤清器总成	AIR FILTER ASSEMBLY	1	2011-11_
3.1	TE250.11F.1-05	空滤器滤芯	AIR FILTER ELEMENT	1	2011-11_
4	TE250.11F-02	空滤器安装板	FIXING PLATE OF AIR FILTER	1	2011-11_
5	GBT97.1-8-A0P	平垫圈	FLAT WASHER	2	2011-11_
6	GBT93-8-A0P	垫圈	WAHSER	2	2011-11_
7	GBT6170-M8-A2L	螺母	NUT	2	2011-11_
8	GBT5783-M10X30-A3L	螺栓	BOLT	2	2011-11_
9	GBT97.1-10-A0P	平垫圈	FLAT WASHER	2	2011-11_

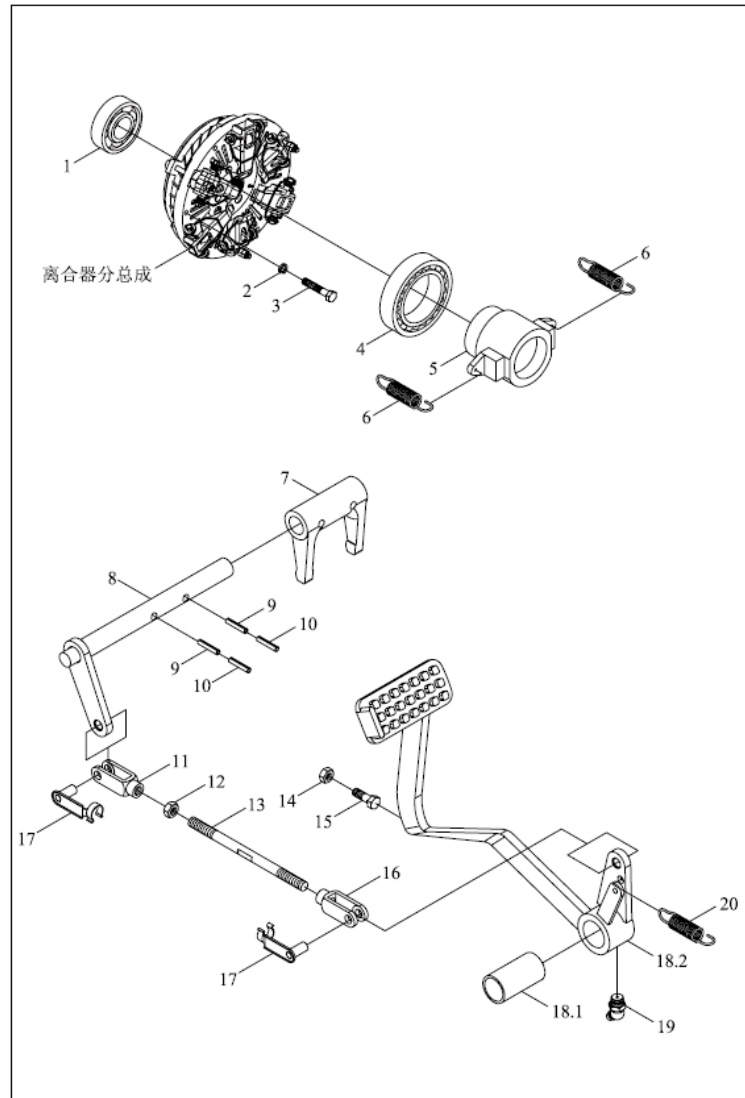
TE250.13B 冷却系总成



TE250.13B 13-冷却系总成 13-COOLING SYSTEM ASSEMBLY

标号 No.	代号 Code	名称 Description		数量 Quantity	备注 Remark
1	Q67650	B型蜗杆传动式软管环箍	B-TYPE WORM TRANSMISSION HOSE CLAMP	4	2011-11_
10	TE250.13B-01	水箱进水软管	WATER TANK INLET HOSE	1	2011-11_
12	GBT93-8-A0P	垫圈	WAHSER	4	2011-11_
2	TE250.13B-02	水箱出水软管	WATER TANK OUTLET HOSE	1	2011-11_
3	TE250.13B.2	散热器支架焊合	RADIATOR BRACKET WELDMENT	2	2011-11_
4	GBT97.1-8-A0P	平垫圈	FLAT WASHER	5	2011-11_
5	TE250.13B.1	散热器总成	RADIATOR ASSEMBLY	1	2011-11_
6	FT650.13.135	橡胶垫块	RUBBER PAD BLOCK	3	2011-11_
7	TE250.13B.3	散热器拉杆焊合	RADIATOR PULL ROD WELDMENT	1	2011-11_
8	GBT6172.1-M8-A2L	螺母	NUT	6	2011-11_
9	GBT96.1-8-A0P	垫圈	WAHSER	2	2011-11_

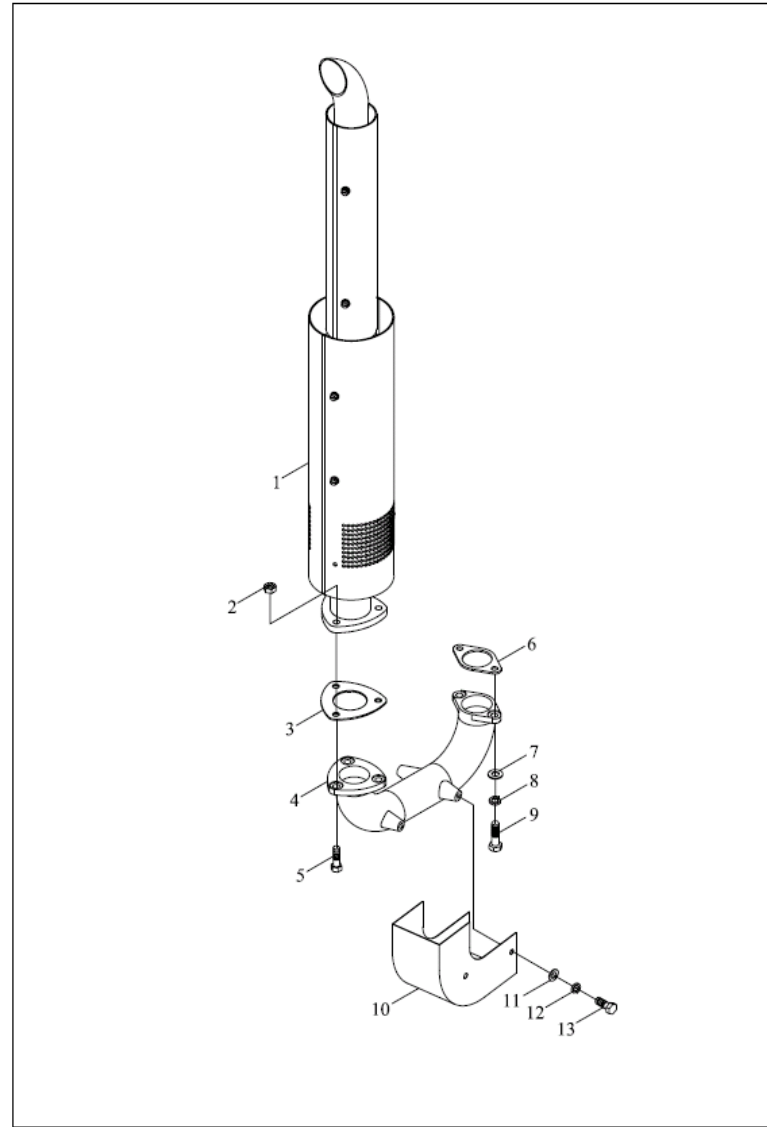
TE250.212B 离合器操纵总成



TE250.212B 21.2-离合器操纵总成 21.2-CLUTCH CONTROL ASSEMBLY

标号 No.	代号 Code	名称 Description		数量 Quantity	备注 Remark
1	GBT276-6203-2Z	深沟球轴承	BEARING	1	2011-11_
10	GBT879.2-5X32	弹性圆柱销	PIN,LOCK	2	2011-11_
11	FT800A.43B.116	右旋拉杆叉	RIGHT REVOLVING PULL ROD FORK	1	2011-11_
12	GBT6170-M10-A3L	螺母	NUT	1	2011-11_
13	TE250.212-01	拉杆	PULL ROD	1	2011-11_
14	GBT6172.1-M12-A3L	螺母	NUT	1	2011-11_
15	GBT5783-M12X30-A3L	螺栓	BOLT	1	2011-11_
16	FT800A.43B.119	左旋拉杆叉	LEFT REVOLVING PULL ROD FORK	1	2011-11_
17	FT800A.43B.011	定位销铆合件	LOCATING PIN RIVET UNIT	2	2011-11_
18	TE250.212B.1	离合器踏板总成	CLUTCH PEDAL ASSEMBLY	1	2011-11_
18.1	TE250.212.1-01	离合器踏板轴衬套	CLUTCH PEDAL SHAFT BUSH	1	2011-11_
18.2	TE250.212B.1.1	离合器踏板焊合件	CLUTCH PEDAL WELDMENT	1	2011-11_
19	JBT7940.2-45° M10X1	油杯	OIL CUP	1	2011-11_
2	GBT93-8-A0P	垫圈	WAHSER	6	2011-11_
20	TE250.212-03	离合器踏板弹簧	CLUTCH PEDAL SPRING	1	2011-11_
4	TE250.212B-01	分离轴承	RELEASE BEARING	1	2011-11_
5	FT200.21B.103	分离轴承座	RELEASE BEARING SEAT	1	2011-11_
6	FT200.21.106	分离轴承座回位弹簧	RETURN SPRING OF RELEASE BEARING SEAT	2	2011-11_
7	FT200.21.105a	离合器拨叉	CLUTCH FORK	1	2009-04_
7	FT200.21.105	离合器拨叉	CLUTCH FORK	1	2004-01_
8	FT200.21.013a	离合器分离摇臂合件	CLUTCH RELEASE ROCKER UNIT	1	2009-04_
8	FT200.21.013	离合器分离摇臂合件	CLUTCH RELEASE ROCKER UNIT	1	2004-01_
9	GBT879.1-8X32	弹性圆柱销	PIN,LOCK	2	2011-11_

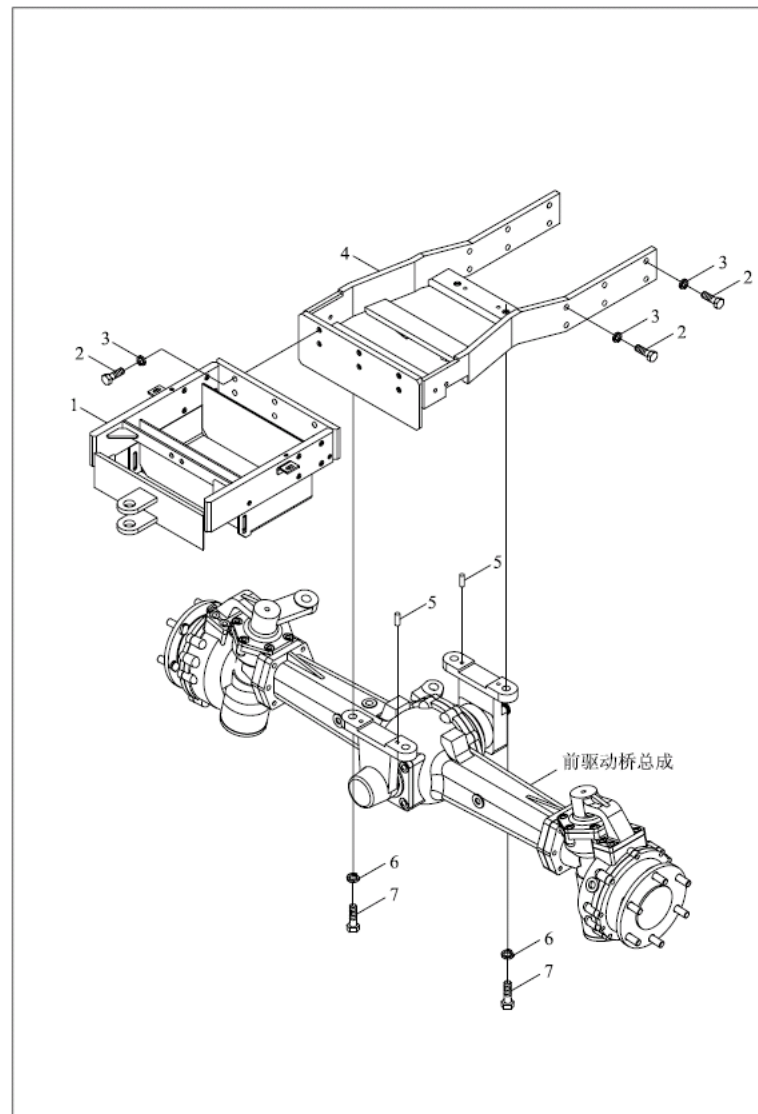
TE250.22 排气系总成



TE250.22 22-排气系总成 22-EXHAUST SYSTEM ASSEMBLY

标号 No.	代号 Code	名称 Description		数量 Quantity	备注 Remark
1	TE250.22.1	消声器总成	MUFFLER ASSEMBLY	1	2011-11_
10	TE250.22-03	排气管护网	EXHAUST PIPE SHIELD NET	1	2011-11_
11	GBT97.1-8-A0P	平垫圈	FLAT WASHER	4	2011-11_
12	GBT93-8-A0P	垫圈	WAHSER	4	2011-11_
13	GBT5783-M8X16-A2L	螺栓	BOLT	4	2011-11_
2	SPL6175PT-M10X1.5-8F3	施必牢2型六角自锁防脱螺母	HEXAGON SELF-LOCKING NUT、STYLE 2	3	2011-11_
3	FT250.22.030	密封垫合件	SEAL GASKET UNIT	1	2011-11_
4	FT250.22B.111	排气弯管	EXHAUST BENDING PIPE	1	2004-01_
4	TE250.22-01	排气弯管	EXHAUST BENDING PIPE	1	2007-06_
5	GBT5783-M10X40-A3L	螺栓	BOLT	3	2011-11_
6	FT250.22C.030	密封垫合件	SEAL GASKET UNIT	1	2011-11_
7	GBT97.1-10-A0P	平垫圈	FLAT WASHER	2	2011-11_
8	GBT93-10-A0P	标准型弹簧垫圈	PLAIN WASHER-LARGE SSRIE	2	2011-11_
9	GBT5783-M10X30-A3L	螺栓	BOLT	2	2011-11_

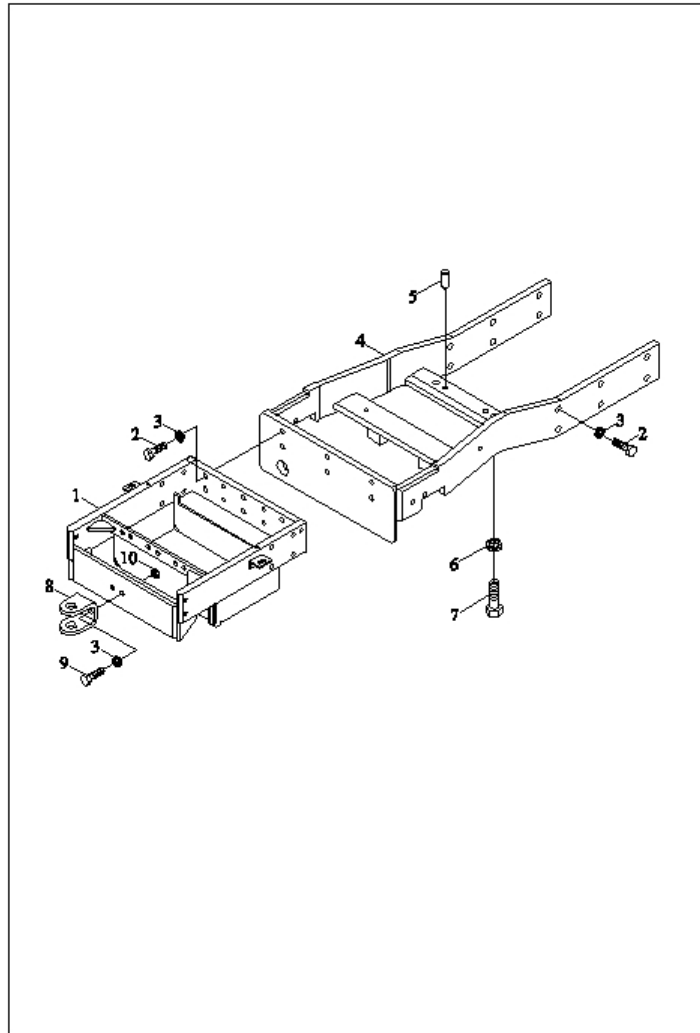
TE254.312G 托架总成



TE254.312G 31.2-托架总成 31.2-BRACKET ASSEMBLY

标号 No.	代号 Code	名称 Description		数量 Quantity	备注 Remark
1	TE254.312B.2	电瓶安装架焊合	BATTERY BRACKET WELDMENT	1	2011-11_
2	GBT5783-M12X35-A3L	螺栓	BOLT	18	2011-11_
2	GBT5783-M12X35-A3L	螺栓	BOLT	18	2011-11_
3	GBT93-12-A0P	垫圈	WASHER	18	2011-11_
4	TE254.312G.1	半架焊合	HALF-BRACKET WELDMENT	1	2011-11_
5	GBT119.2-8X20-A0P	圆柱销	PIN	4	2011-11_
6	GBT93-16-A0P	弹簧垫圈	SPRING WASHER	4	2011-11_
7	GBT5783-M16X45-10.9	六角头螺栓全螺纹	HEXAGON HEAD BOLT, FULL THREAD	2	2011-01_

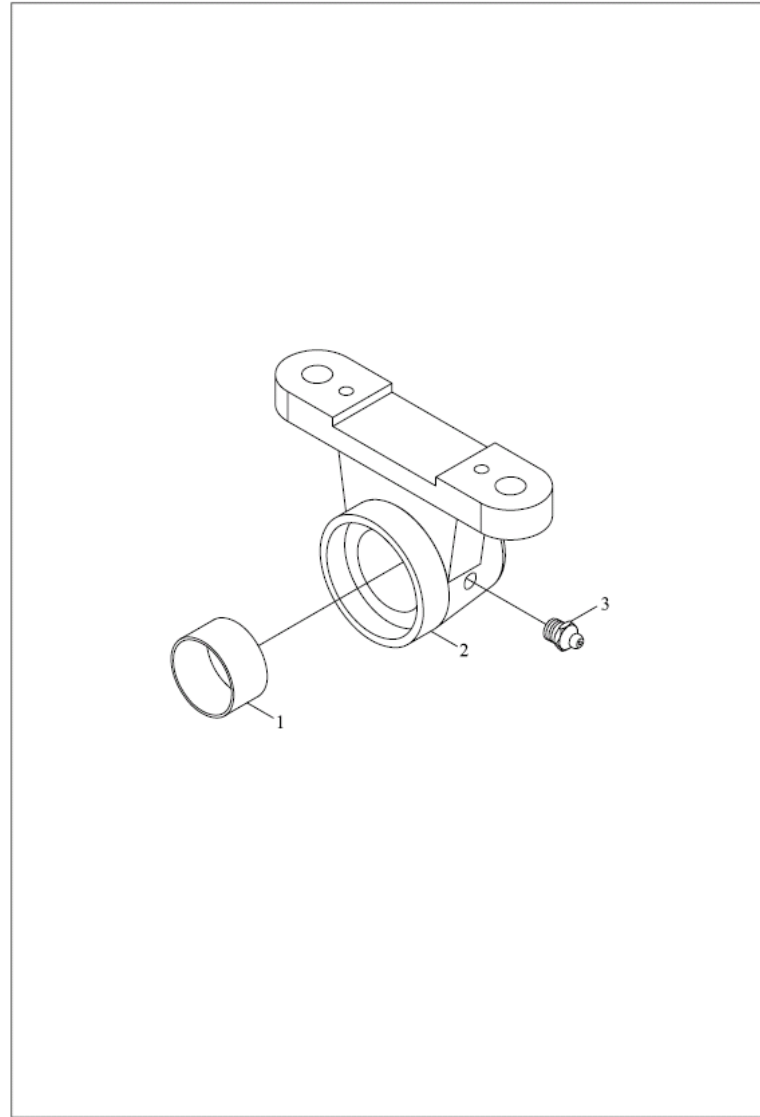
TE254.312M 托架总成



TE254.312M 31.2-托架总成 31.2-BRACKET ASSEMBLY

标号 No.	代号 Code	名称 Description		数量 Quantity	备注 Remark
1	TE254.312D.1	电瓶安装架焊合	BATTERY BRACKET WELDMENT	1	2012-05_
10	GB/T6170-M12-8-A3L	1型六角螺母	HEXAGON NUT, TYPE-1	2	2012-05_
2	GB/T5783-M12X35-8.8-A3L	六角头螺栓	BOLT;SOCKET;THROUGH	18	2012-05_
3	GB/T93-12-A0P	垫圈	WASHER	20	2012-05_
4	TE254.312G.1	半架焊合	HALF-BRACKET WELDMENT	1	2012-05_
5	GB/T119.2-8X20-A0P	圆柱销	PIN	4	2012-05_
6	GB/T93-16-A0P	弹簧垫圈	SPRING WASHER	4	2012-05_
7	GB/T5783-M16X45-8.8-A3L	六角头螺栓	BOLT;SOCKET;THROUGH	4	2012-05_
8	TE254.31A.2-01	配重夹板	BALLAST CLIP PLATE	1	2012-05_
9	GB/T5783-M12X40-8.8-A3L	六角头螺栓	BOLT;SOCKET;THROUGH	2	2012-05_

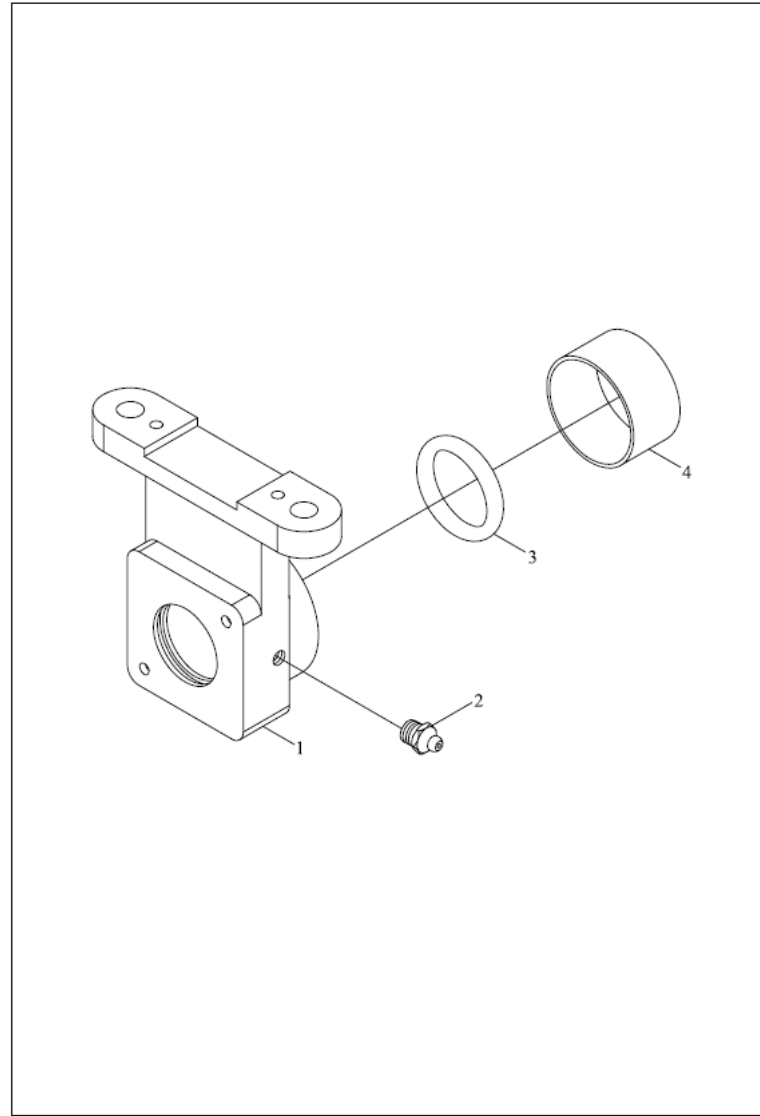
TE254.313G 前支撑座总成



TE254.313G 31.3-前支撑座总成 31.3-FRONT SUPPORT SEAT ASSEMBLY

标号 No.	代号 Code	名称 Description		数量 Quantity	备注 Remark
1	FT254.31F.136	滑动轴套	SLIDING BUSHING	1	2011-11_
2	TE254.313G-01	前支撑座	FRONT SUPPORT SEAT	1	2011-11_
3	JBT7940.1-M10X1	直通式压注油杯	STRAIGHT PRESSURE FILLING OIL CUP	1	2011-11_

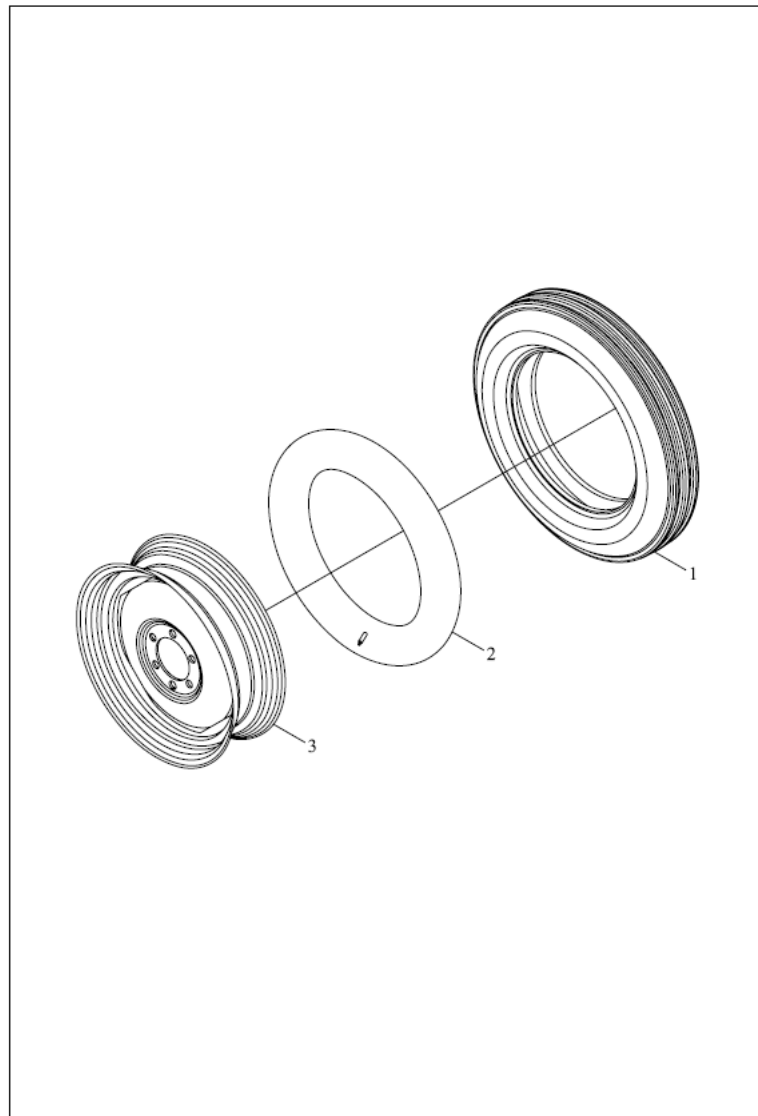
TE254.314G 后支撑座总成



TE254.314G 31.4-后支撑座总成 31.4-REAR SUPPORTING SEAT ASSEMBLY

标号 No.	代号 Code	名称 Description		数量 Quantity	备注 Remark
1	TE254.311B.1-01	后支撑座	REAR SUPPORTING SEAT	1	2011-11_
2	JBT7940.1-M10X1	直通式压注油杯	STRAIGHT PRESSURE FILLING OIL CUP	1	2011-11_
3	GBT3452.1-54.5X3.55G	液压气动用O形橡胶密封圈	O-SEAL RING	1	2011-11_
4	FT254.31F.129	滑动轴套	SLIDING BUSHING	1	2011-11_

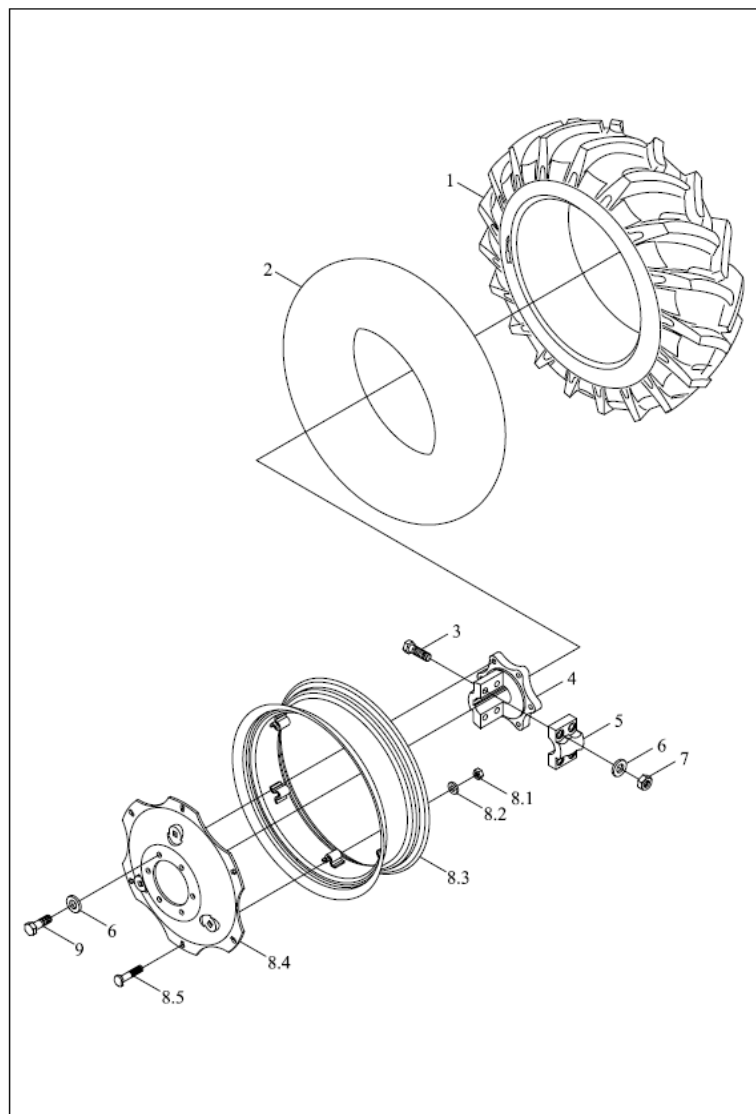
TE284.32F 前驱动轮总成



TE284.32F 32-前驱动轮总成 32-FRONT DRIVING WHEEL ASSEMBLY

标号 No.	代号 Code	名称 Description		数量 Quantity	备注 Remark
1	GBT1192-6.00-16-6PR	拖拉机驱动轮普通断面斜交结构外胎	DRIVING WHEEL OUTER TUBE	1	2011-11_
2	GBT1192-6.00-16	拖拉机驱动轮内胎	DRIVING WHEEL INNER TUBE	1	2011-11_
2	GBT1192-6.00-16	拖拉机驱动轮内胎	DRIVING WHEEL INNER TUBE	1	2011-11_
3	TE284.32F.1	轮辋焊合	RIM WELDMENT	1	2011-11_

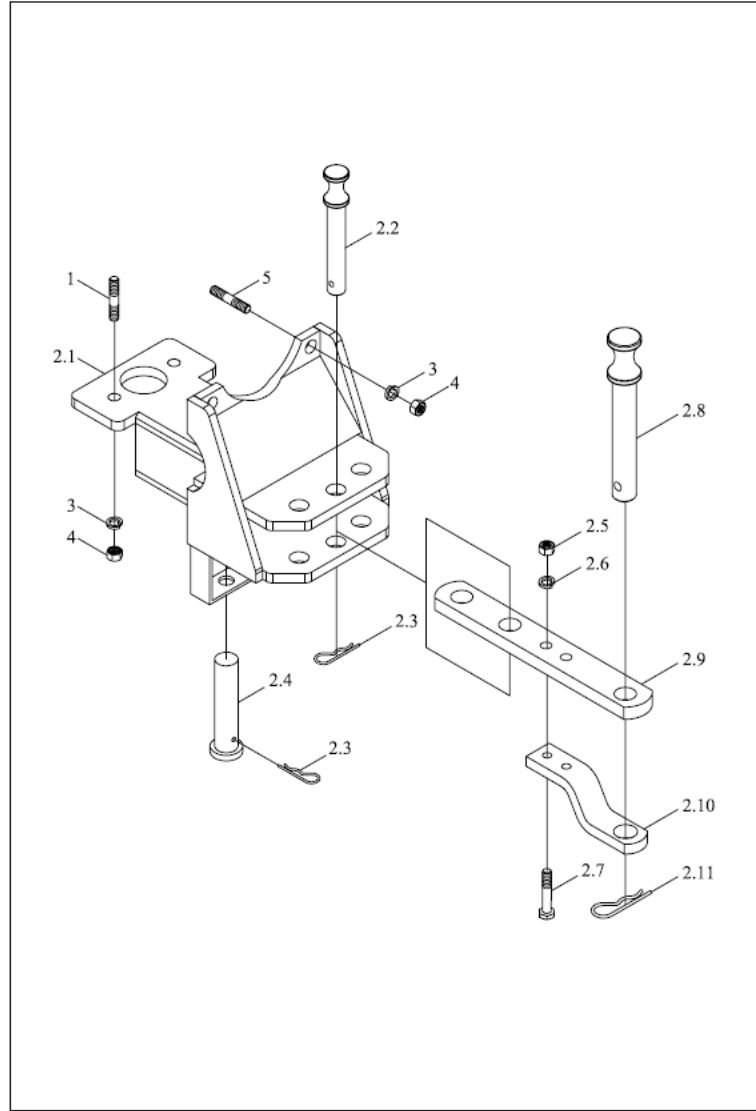
FT250.34F.001 后驱动轮总成



FT250.34F.001 34-后驱动轮总成 34-REAR DRIVING WHEEL ASSEMBLY

标号 No.	代号 Code	名称 Description		数量 Quantity	备注 Remark
1	GBT2979-9.5-24-6PR	拖拉机驱动轮普通断面斜交结构外胎	DRIVING WHEEL OUTER TUBE	1	2011-11_
2	GBT2979-9.5-24	拖拉机驱动轮内胎	DRIVING WHEEL INNER TUBE	1	2011-11_
3	TE254.34B.2-01	轮毂螺栓	BOLT	4	2011-11_
4	FT250.34.102	驱动轮轮毂	DRIVING WHEEL HUB	1	2011-11_
5	FT250.34.103	驱动轮轮毂盖	DRIVING WHEEL HUB COVER	1	2011-11_
6	FT250.34.108	轮毂垫圈	HUB WASHER	10	2011-11_
7	GBT6171-M14X1.5-10-A3L	1型六角螺母	HEXAGON NUT, TYPE-1	4	2011-11_
8	FT250.34F.010	轮辋辐板总成	RIM SPOKE ASSEMBLY	1	2011-11_
8	FT250.34F.010	轮辋辐板总成	RIM SPOKE ASSEMBLY	1	2011-11_
8.1	GBT6171-M16X1.5-10-A3L	1型六角螺母	HEXAGON NUT, TYPE-1	6	2011-11_
8.2	FT300.34.106	垫圈	WAHSER	6	2011-01_
8.3	FT250.34F.011	轮辋焊合	RIM WELDMENT	1	2011-11_
8.4	TE324.34.1.1-01	辐板	SPOKE PLATE	1	2011-11_
9	GBT5786-M14X1.5X35-10.9-A3L	六角头螺栓	BOLT;SOCKET;THROUGH	6	2011-11_

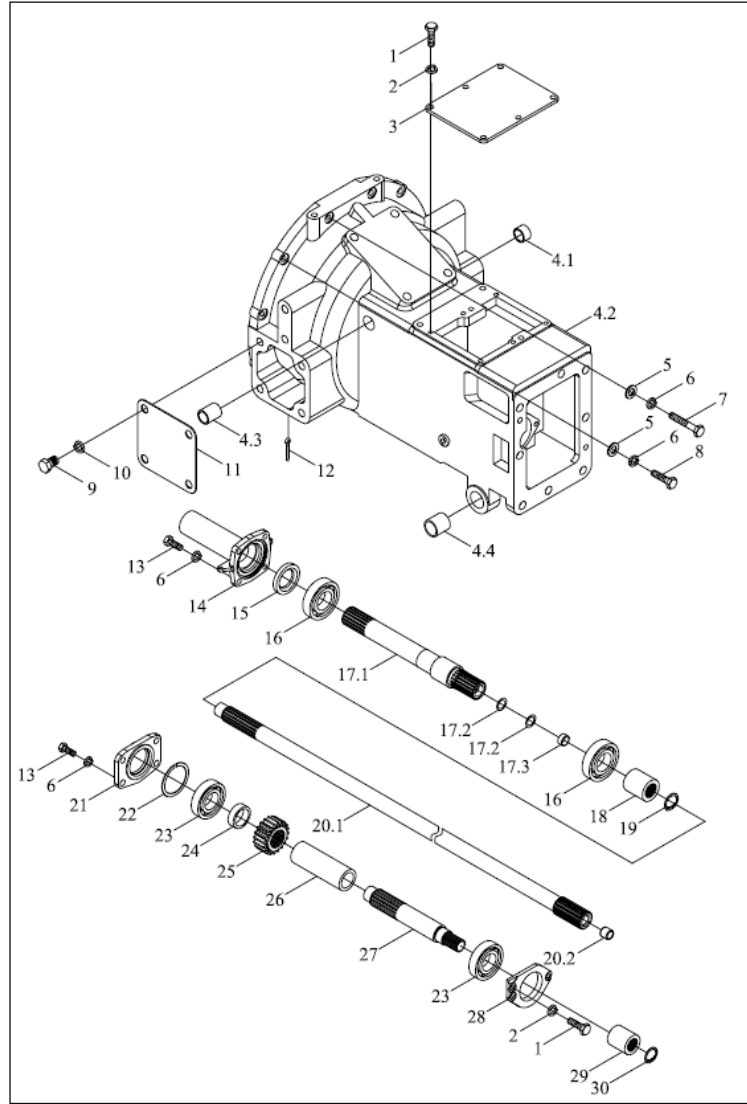
FT250.35.001 牵引装置装配总成



FT250.35.001 35-牵引装置装配总成 35-TOWING MECHANISM INSTALLATION ASSEMBLY

标号 No.	代号 Code	名称 Description		数量 Quantity	备注 Remark
1	GBT5783-M12X35-8.8-A3L	六角头螺栓	BOLT;SOCKET;THROUGH	2	2011-07_
1	GBT899-GM12-M12X35-A3L	双头螺柱	STANDARD SPING GASKET	2	2011-11_
1	GBT899-GM12-M12X35-A3L	双头螺柱	STANDARD SPING GASKET	2	2011-11_
2	FT250.35.011	牵引装置总成	TRACTION DEVICE ASSEMBLY	1	2011-11_
2.1	FT250.35.010	牵引架焊合	TRACTION FRAME	1	2011-11_
2.1	FT300.35A.101	连接摆杆	CONNECTING SWING ROD	1	2011-11_
2.11	FT800.35.112	弹性锁销	SPRING LOCK PIN	1	2011-11_
2.2	FT250.35.103	限位销	LIMITING PIN	1	2011-11_
2.3	FT65.35.103	弹性锁销	SPRING LOCK PIN	2	2011-11_
2.3	FT65.35.103	弹性锁销	SPRING LOCK PIN	2	2011-11_
2.4	FT250.35.101	连接销	CONNECTING PIN	1	2011-11_
2.5	GBT6170-M16-A3L	螺母 M16-A3L	NUT	2	2011-11_
2.7	GBT5782-M16X80-A3L	六角头螺栓	BOLT;SOCKET;THROUGH	2	2011-11_
2.8	FT300.35A.105	摆销	SWING PIN	1	2011-11_
2.9	FT250.35.102	摆杆	UPPER PART U-HOOK	1	2011-11_
3	GBT93-12-AOP	垫圈	WAHSER	4	2011-11_
4	GBT6170-M12-A3L	螺母	NUT	4	2011-11_
5	GBT5783-M12 × 35-8.8-A3L	六角头螺栓	BOLT;SOCKET;THROUGH	2	2011-07_

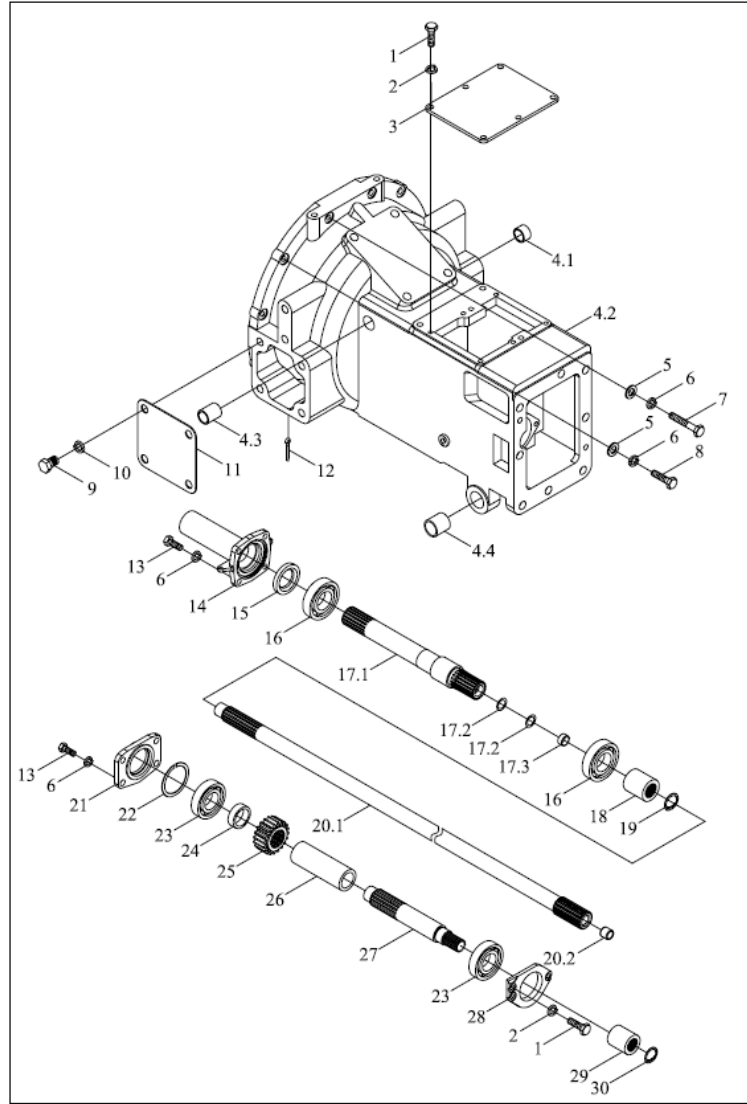
TE254.361K 离合器壳体总成



TE254.361K 36.1-离合器壳体总成 36.1-CLUTCH HOUSING ASSEMBLY

标号 No.	代号 Code	名称 Description		数量 Quantity	备注 Remark
1	GBT5783-M8X20-A2L	螺栓	BOLT	9	2013-01_
10	GBT93-14-A0P	弹簧垫圈	SPRING WASHER	8	2013-01_
10	GBT93-14-A0P	弹簧垫圈	SPRING WASHER	8	2013-01_
11	FT250.36.110	检查孔侧盖	INSPECTION HOLE SIDE COVER	2	2013-01_
12	GBT91-4X20-A0P	开口销	PIN	1	2013-01_
13	GBT5783-M10X25-A3L	螺栓	BOLT	7	2013-01_
14	TE250.361F-01	分离轴承座支座	RELEASE BEARING SEAT SUPPORT	1	2013-01_
15	GBT9877.1-FB35X55X8D	内包骨架旋转轴唇形密封	O RING	1	2013-01_
15	GBT9877.1-FB35X55X8D	内包骨架旋转轴唇形密封	O RING	1	2013-01_
16	GBT276-6207	轴承	BEARING TAPER ROLLER	2	2013-01_
17	TE250.361F.2	梭行档主动轴总成	SHUTTLE SHIFT DRIVING SHAFT ASSEMBLY	1	2013-01_
17.1	TE250.361F.2-01	梭行档主动轴	SHUTTLE SHIFT DRIVING SHAFT	1	2013-01_
17.2	GBT3452.1-20.0X1.80G	液气气动用O形橡胶密封圈	O-SEAL RING	2	2013-01_
17.3	TE250.361F.2-02	衬套	SLEEVE	1	2013-01_
18	TE250.36F-02	花键套	SPLINE BUSH	1	2013-01_
19	GBT893.1-30	孔用弹性挡圈	SNAP RING	1	2013-01_
2	GBT93-8-A0P	垫圈	WAHSER	9	2013-01_
20	TE250.361F.3	功率输出离合器轴总成	PTO CLUTCH SHAFT ASSEMBLY	1	2013-01_
20.1	TE250.361F.3-01	功率输出离合器轴	PTO CLUTCH SHAFT	1	2013-01_
20.2	FT250.36B.128	轴套	SHAFT SLEEVE	1	2013-01_
21	TE250.361F-04	轴承压盖	BEARING PRESSURE COVER	1	2013-01_
22	TE250.361F-21	调整垫片	ADJUSTING WASHER		2013-01_
23	GBT276-6305	轴承	BEARING TAPER ROLLER	2	2013-01_
24	TE250.361F-05	隔套	AIR INTCKE PIPE	1	2013-01_
25	TE300.361-01	前驱动主动齿轮	FRONT DRIVING GEAR	1	2013-01_

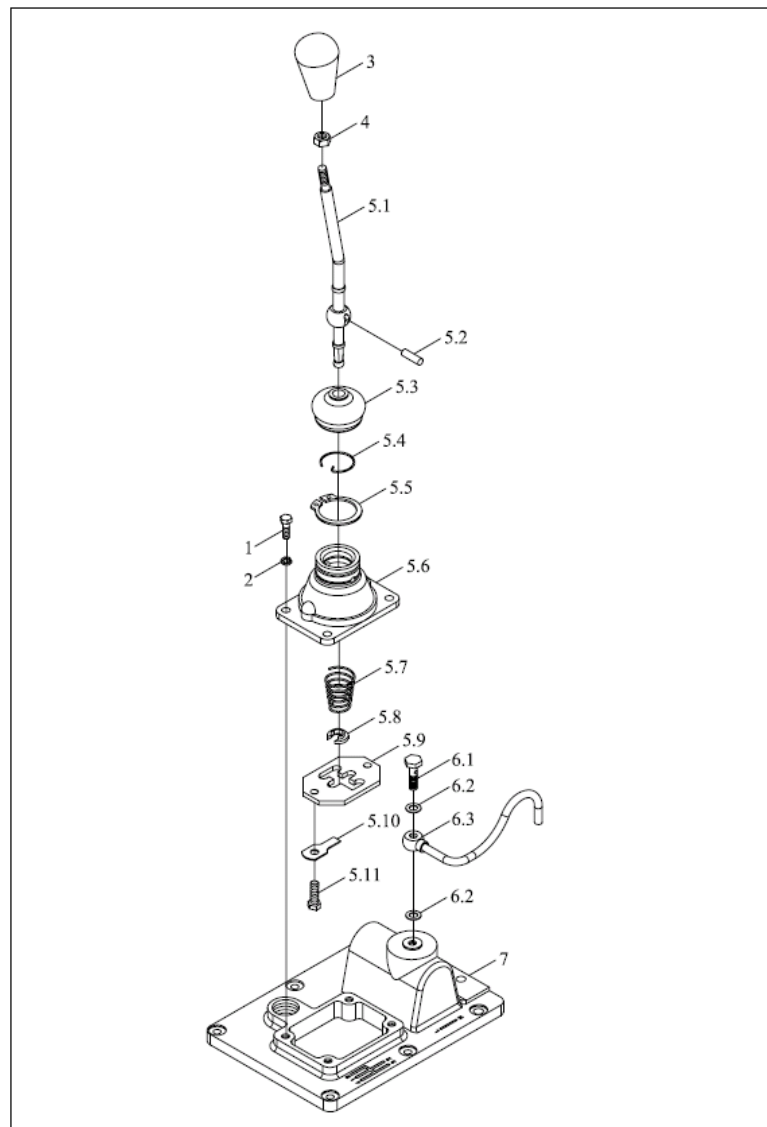
TE254.361K 离合器壳体总成



TE254.361K 36.1-离合器壳体总成(续)

标号 No.	代号 Code	名称 Description		数量 Quantity	备注 Remark
25	TE300.361-01	前驱动主动齿轮	FRONT DRIVING GEAR	1	2013-01_
26	TE254.361A-01	长隔套	LONG SPACER BUSH	1	2013-01_
27	TE250.361F-12	梭式换挡中间轴	SHUTTLE SHIFT MIDDLE SHAFT	1	2013-01_
28	TE250.361F-22	轴承压盖	BEARING PRESSURE COVER	1	2013-01_
29	TE250.361F-13	花键套	SPLINE BUSH	1	2013-01_
3	FT250.36.106	上盖板	UPPER COVER PLATE	1	2013-01_
3	FT250.36.106	上盖板	UPPER COVER PLATE	1	2013-01_
30	GBT893.1-18	孔用弹性挡圈	SNAP RING	1	2013-01_
4	TE250.361F.1	离合器壳压合	CLUTCH HOUSING UNIT	1	2013-01_
4	TE250.361F.1	离合器壳压合	CLUTCH HOUSING UNIT	1	2013-01_
4.1	FT250.36.102	摇臂轴短衬套	ROCKER SHAFT SHORT BUSH	1	2013-01_
4.2	TE250.361F.1-01a	离合器壳体	CLUTCH HOUSING	1	2013-01_
4.3	FT250.36.103	摇臂轴长衬套	ROCKER SHAFT LONG BUSH	1	2013-01_
4.4	FT250.36.104	踏板轴衬套	PEDAL SHAFT BUSH	2	2013-01_
5	GBT97.1-10-A0P	平垫圈	FLAT WASHER	12	2013-01_
6	GBT93-10-A0P	标准型弹簧垫圈	PLAIN WASHER-LARGE SSRIE	19	2013-01_
7	GBT5782-M10X55-A2L	六角头螺栓	BOLT;SOCKET;THROUGH	4	2013-01_
8	GBT5783-M10X35-A3L	螺栓	BOLT	8	2013-01_
9	TE250.361F-17	螺栓	BOLT	8	2013-01_

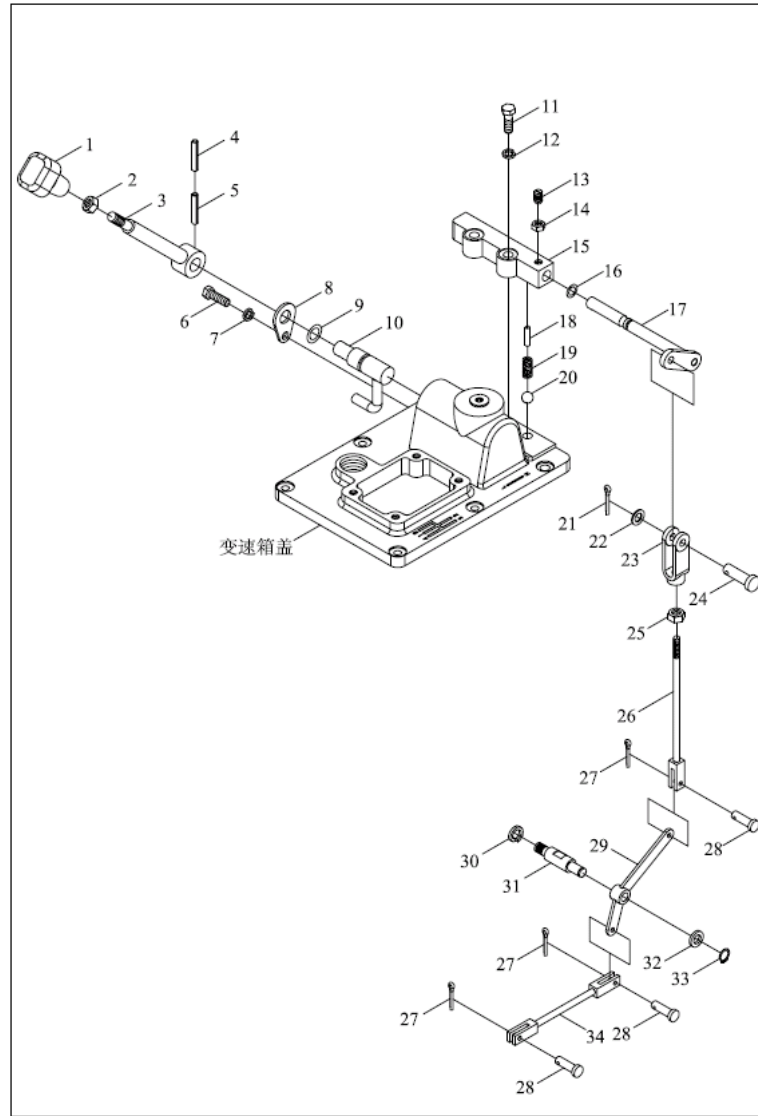
TE250.373C 传动箱操纵机构总成-1



TE250.373C-1 37.3传动箱操纵机构总成-1 37.3TRANSMISSION CONTROL MECHANISM ASSEMBLY-1

标号 No.	代号 Code	名称 Description		数量 Quantity	备注 Remark
1	GBT5783-M8X25-A2L	螺栓	BOLT	4	2011-11_
2	GBT93-8-A0P	垫圈	WASHER	4	2011-11_
3	FT250.37.040	主变速操纵手柄	MAIN GEARSHIFT CONTROL HANDLE	1	2011-11_
4	GBT6170-M10-A3L	螺母	NUT	1	2011-11_
5	TE250.373C.1	主变速杆总成	MAIN GEARLEVER ASSEMBLY	1	2011-11_
5.1	FT250.37.180	变速杆	GEARLEVER	1	2011-11_
5.1	GBT854-8	单耳制动垫圈	WASHER	2	2011-11_
5.11	GBT5783-M8X16-A2L	螺栓	BOLT	2	2011-11_
5.3	FT250.37.181	变速杆密封罩	GEARLEVER SEAL HOOD	1	2011-11_
5.4	FT250.37.248	钢丝挡圈	SNAP RING	1	2011-11_
5.5	GBT894.1-45	挡圈	RETAINER RING	1	2011-11_
5.6	FT250.37.211	主变速杆座	MAIN GEARLEVER SEAT	1	2011-11_
5.7	FT250.37.183	变速杆弹簧	GEARLEVER SPRING	1	2011-11_
5.7	FT250.37.183	变速杆弹簧	GEARLEVER SPRING	1	2011-11_
5.8	FT300.37.164	变速杆弹簧挡圈	GEARLEVER SPRING RETAINER RING	1	2011-11_
5.9	TE250.373C.1-01	变速杆导板	GEARLEVER GUIDE BOARD	1	2011-11_
6	FT250.37.031a	呼吸器总成	BREATH ASSEMBLY	1	2011-11_
6.1	FT250.37.402	空心螺栓	HOLLOW BOLT	1	2011-11_
6.2	JBT982-8	组合垫圈	COMBINATION GASKET	2	2011-11_
6.3	FT250.37.061	呼吸硬管总成	BREATHING PIPE ASSEMBLY	1	2011-11_
7	FT250.37.182a	变速箱盖	GEARBOX COVER	1	2011-11_

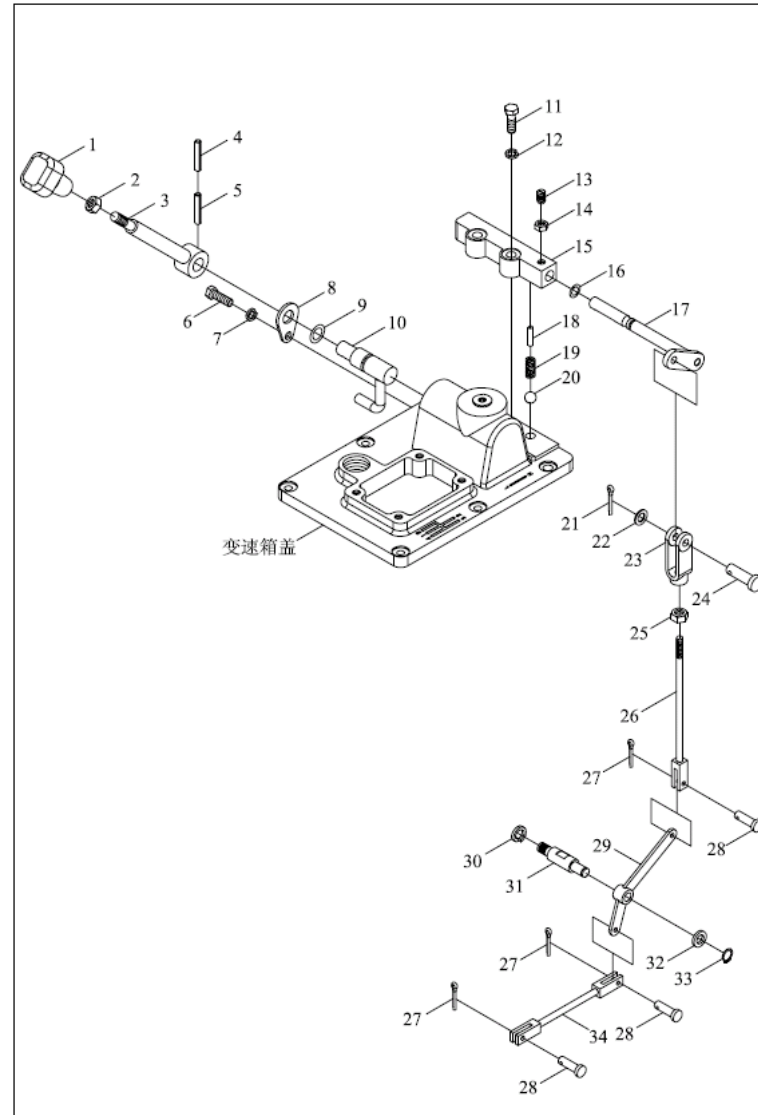
TE250.373C 传动箱操纵机构总成-2



TE250.373C-2 37.3传动箱操纵机构总成-2 37.3TRANSMISSION CONTROL MECHANISM ASSEMBLY-2

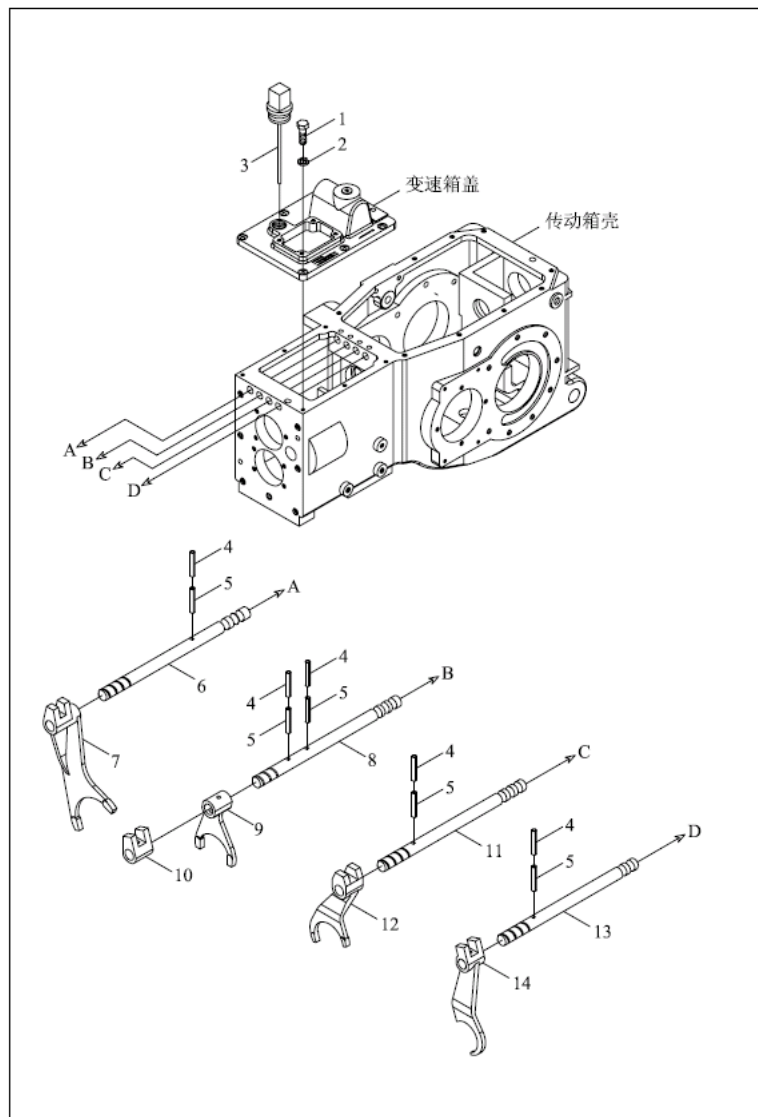
标号 No.	代号 Code	名称 Description		数量 Quantity	备注 Remark
1	FT250.37.037	副变速操纵手柄	AUXILIARY GEARSHIFT CONTROL HANDLE	1	2011-11_
10	FT250.37.038	副变速拨杆总成	AUXILIARY DIAL ROD ASSEMBLY	1	2011-11_
11	GBT5783-M10X40-A3L	螺栓	BOLT	2	2011-11_
12	GBT93-10-A0P	标准型弹簧垫圈	PLAIN WASHER-LARGE SSRIE	2	2011-11_
13	FT250.37.249	固定螺钉	FIXING SCREW	1	2011-11_
14	GBT6173-M8X1-A2L	1型六角螺母	HEXAGON NUT, TYPE-1	1	2011-11_
15	FT250.37.254	联锁压座	INTERLOCKING PRESS SEAT	1	2011-11_
16	GBT3452.1-8.75X1.80G	液压气动用O形橡胶密封圈	O-SEAL RING	1	2011-11_
17	TE250.373B.5	联锁轴焊合	INTERLOCKING SHAFT WELDMENT	1	2011-11_
18	FT250.37.250	固定销	FIXING PIN	4	2011-11_
19	FT250.37.148	拨叉轴锁定弹簧	FORK SHAFT LOCKING SPRING	4	2011-11_
19	FT250.37.148	拨叉轴锁定弹簧	FORK SHAFT LOCKING SPRING	4	2011-11_
2	GBT6170-M10-A3L	螺母	NUT	1	2011-11_
20	GBT308-8-G100-B	钢球	STEEL BALL	4	2011-11_
20	GBT308-8.731-G200-b	钢球	STEEL BALL	4	2011-03_
21	GBT91-3.2X20-A0P	开口销	PIN	1	2011-11_
21	GBT91-3.2X20-A0P	开口销	PIN	1	2011-11_
22	GBT97.1-8-A0P	平垫圈	FLAT WASHER	1	2011-11_
23	FT250.43.103	制动拉杆调整叉	BRAKE PULL ROD ADJUSTING FORK	1	2011-11_
24	GBT882-B8X28	销轴	JOINT	1	2011-11_
25	GBT6170-M8-A2L	螺母	NUT	1	2011-11_
26	TE250.373B.2	拉杆焊合(一)	PULL ROD WELDMENT (1)	1	2011-11_
27	GBT91-2X10-A0P	开口销	PIN	3	2011-11_
29	TE250.373B.3	轴套焊合	SHAFT SLEEVE WELDMENT	1	2011-11_
3	FT250.37.020	副变速操纵杆焊合	AUXILIARY GEARSHIFT CONTROL ROD	1	2011-11_

TE250.373C 传动箱操纵机构总成-2



TE250.373C-2 37.3传动箱操纵机构总成-2(续)

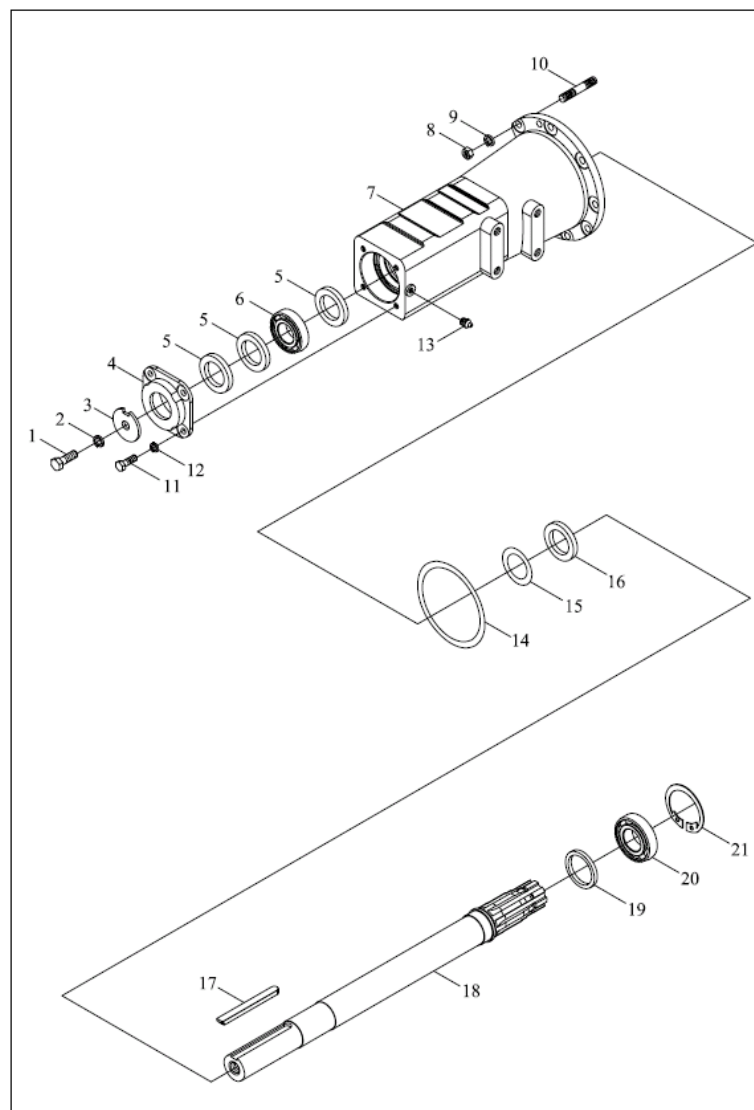
标号 No.	代号 Code	名称 Description		数量 Quantity	备注 Remark
30	GBT93-12-A0P	垫圈	WAHSER	1	2011-11_
31	TE250.373B-04	螺柱	STUD	1	2011-11_
32	GBT848-12-A0P	小垫圈	WASHER	1	2011-11_
33	GBT894.1-12	轴用弹性挡圈	SNAP RING	1	2011-11_
34	TE250.373B.4	拉杆焊合(二)	PULL ROD WELDMENT (2)	1	2011-11_
4	GBT879.1-3X30	弹性圆柱销	PIN,LOCK	1	2011-11_
5	GBT879.1-5X30	弹性圆柱销	PIN,LOCK	1	2011-11_
6	GBT5783-M8X16-A2L	螺栓	BOLT	1	2011-11_
7	GBT93-8-A0P	垫圈	WAHSER	1	2011-11_
8	FT250.37.313	压板	PRESSURE PLATE	1	2011-11_
9	GBT3452.1-15X2.65G	液压气动用O形橡胶密封圈	O-SEAL RING	1	2011-11_



TE250.373C-3 37.3传动箱操纵机构总成-3 37.3TRANSMISSION CONTROL MECHANISM ASSEMBLY-3

标号 No.	代号 Code	名称 Description		数量 Quantity	备注 Remark
1	GBT5783-M8X30-A2L	螺栓	BOLT	6	2011-11_
10	FT250.37.142	Ⅲ-Ⅳ档拨头	Ⅲ-Ⅳ FORK HEAD	1	2011-11_
11	TE300.373-02	I-II档拨叉轴	I-II GEAR FORK SHAFT	1	2011-11_
12	TE300.373-01	I-II档拨叉	I-II GEAR FORK	1	2011-11_
13	TE300.373A-02	倒档拨叉轴	REVERSE FORK SHAFT	1	2011-11_
14	TE300.373A-01	倒档拨叉	REVERSE FORK	1	2011-11_
2	GBT93-8-A0P	垫圈	WAHSER	6	2011-11_
3	FT250.37.030	油尺总成	DIPSTICK ASSEMBLY	1	2011-11_
4	GBT879.1-3X24	弹性圆柱销	PIN,LOCK	5	2011-11_
5	GBT879.1-5X24	弹性圆柱销	PIN,LOCK	5	2011-11_
6	FT250.37.188	高低档拨叉轴	HIGH AND LOW GEAR FORK SHAFT	1	2011-11_
7	FT250.37.145	高低档拨叉	HIGH AND LOW GEAR FORK	1	2011-11_
8	TE250.373B-02	Ⅲ-Ⅳ挡拨叉轴	Ⅲ-Ⅳ FORK SHAFT	1	2011-11_
9	TE250.373B-01	Ⅲ-Ⅳ挡拨叉	Ⅲ-Ⅳ GEAR FORK	1	2011-11_

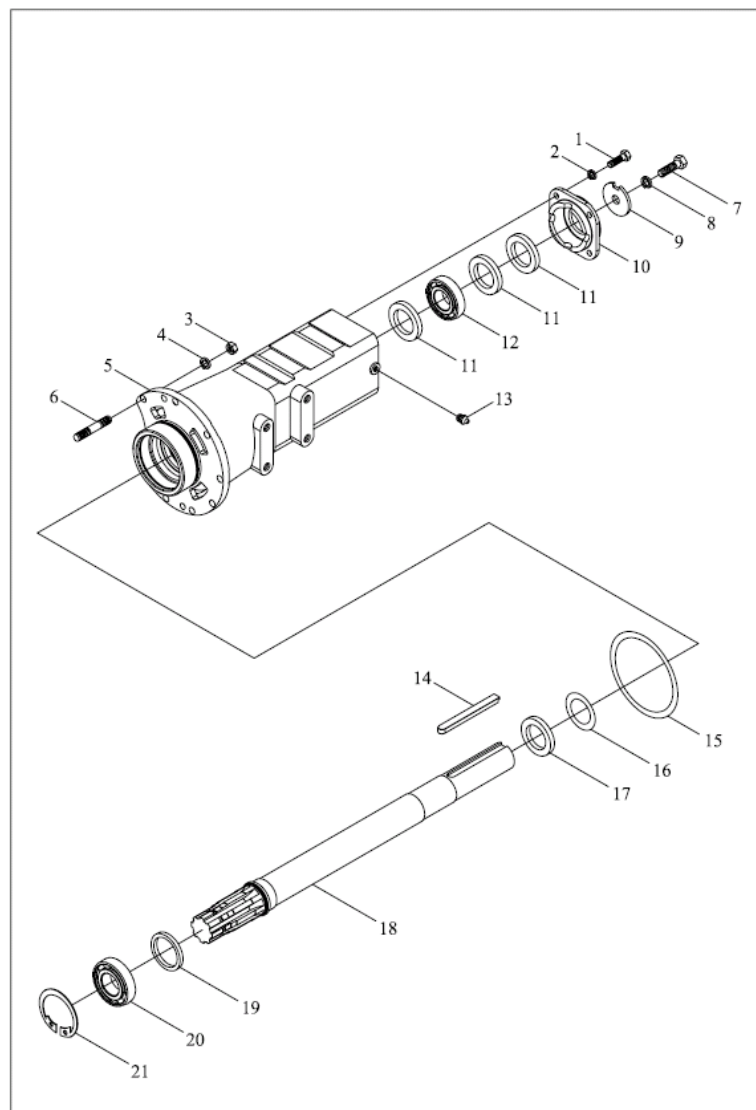
TE250.391 最终传动总成(左)



TE250.391 39.1-最终传动总成(左) 39.1-FINAL TRANSMISSION ASSEMBLY (LEFT)

标号 No.	代号 Code	名称 Description		数量 Quantity	备注 Remark
1	GBT5783-M16X35-A3L	六角头螺栓	BOLT;SOCKET;THROUGH	1	2011-11_
10	GBT898-AM12-M12X1.25X30-A2L	双头螺柱	STANDARD SPING GASKET	8	2011-11_
11	GBT5783-M10X25-A3L	螺栓	BOLT	4	2011-11_
12	GBT93-10-A0P	标准型弹簧垫圈	PLAIN WASHER-LARGE SSRIE	4	2011-11_
13	JBT7940.1-M10X1	直通式压注油杯	STRAIGHT PRESSURE FILLING OIL CUP	1	2011-11_
14	GBT3452.1-112X3.55G	液压气动用O形橡胶密封圈	O-SEAL RING	1	2011-11_
15	FT250.37.242	油封隔圈	OIL SEAL SPACER RING	1	2011-11_
16	GBT9877.1-B55X75X8	内包骨架旋转轴唇形密封	O RING	1	2011-11_
17	FT250.37.215	平键	FLAT KEY	1	2011-11_
18	FT250.37B.212	驱动轴	DRIVING SHAFT	1	2011-11_
19	FT250.37.218	轴承挡圈	BEARING RETAINER RING	1	2011-11_
2	GBT93-16-A0P	弹簧垫圈	SPRING WASHER	1	2011-11_
20	GBT276-6211	深沟球轴承	BEARING	1	2011-11_
21	GBT893.1-100	孔用弹性挡圈	SNAP RING	1	2011-11_
3	FT250.37.216	挡圈	RETAINER RING	1	2011-11_
4	FT250.37.214	驱动轴轴承盖	DRIVING SHAFT BEARING COVER	1	2011-11_
5	GBT9877.1-B50X72X8	内包骨架旋转轴唇形密封	O RING	3	2011-11_
6	GBT276-6210	深沟球轴承	BEARING	1	2011-11_
7	FT250.37B.226	左驱动轴套管	LEFT DRIVING SHAFT SLEEVE	1	2011-11_
8	GBT6171-M12X1.25-10-A2L	螺母	NUT	8	2011-11_
9	GBT93-12-A0P	垫圈	WAHSER	8	2011-11_

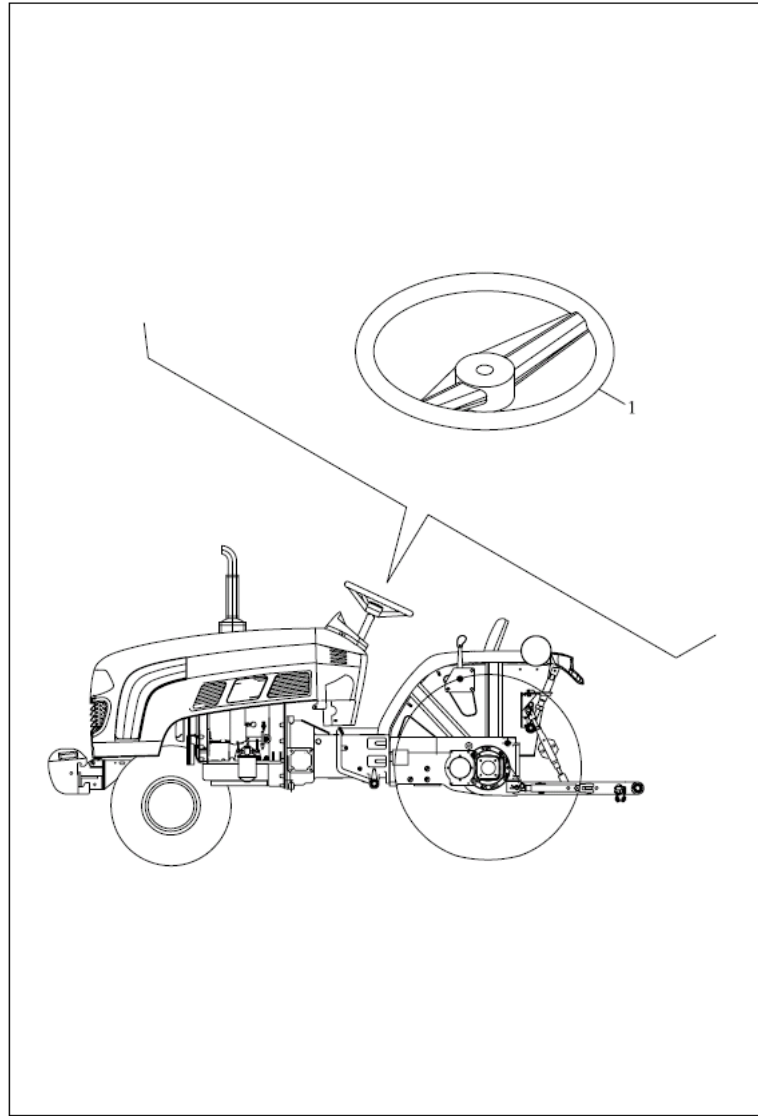
TE250.392 最终传动总成(右)



TE250.392 39.2-最终传动总成(右) 39.2-FINAL TRANSMISSION ASSEMBLY (RIGHT)

标号 No.	代号 Code	名称 Description		数量 Quantity	备注 Remark
1	GBT5783-M10X25-A3L	螺栓	BOLT	4	2011-11_
10	FT250.37.214	驱动轴轴承盖	DRIVING SHAFT BEARING COVER	1	2011-11_
11	GBT9877.1-B50X72X8	内包骨架旋转轴唇形密封	O RING	3	2011-11_
12	GBT276-6210	深沟球轴承	BEARING	1	2011-11_
13	JBT7940.1-M10X1	直通式压注油杯	STRAIGHT PRESSURE FILLING OIL CUP	1	2011-11_
14	FT250.37.215	平键	FLAT KEY	1	2011-11_
15	GBT3452.1-112X3.55G	液气气动用O形橡胶密封圈	O-SEAL RING	1	2011-11_
16	FT250.37.242	油封隔圈	OIL SEAL SPACER RING	1	2011-11_
17	GBT9877.1-B55X75X8	内包骨架旋转轴唇形密封	O RING	1	2011-11_
18	FT250.37B.212	驱动轴	DRIVING SHAFT	1	2011-11_
19	FT250.37.218	轴承挡圈	BEARING RETAINER RING	1	2011-11_
2	GBT93-10-AOP	垫圈	WAHSER	4	2011-11_
20	GBT276-6211	深沟球轴承	BEARING	1	2011-11_
21	GBT893.1-100	孔用弹性挡圈	SNAP RING	1	2011-11_
3	GBT6171-M12X1.25-A2L	螺母	NUT	8	2011-11_
4	GBT93-12-AOP	垫圈	WAHSER	8	2011-11_
5	FT250.37B.217	右驱动轴套管	RIGHT DRIVING SHAFT SLEEVE	1	2011-11_
6	GBT898-AM12-M12X1.25X30-A2L	双头螺柱	STANDARD SPING GASKET	8	2011-11_
7	GBT5783-M16X35-A3L	六角头螺栓	BOLT;SOCKET;THROUGH	1	2011-11_
8	GBT93-16-AOP	弹簧垫圈	SPRING WASHER	1	2011-11_
9	FT250.37.216	挡圈	RETAINER RING	1	2011-11_

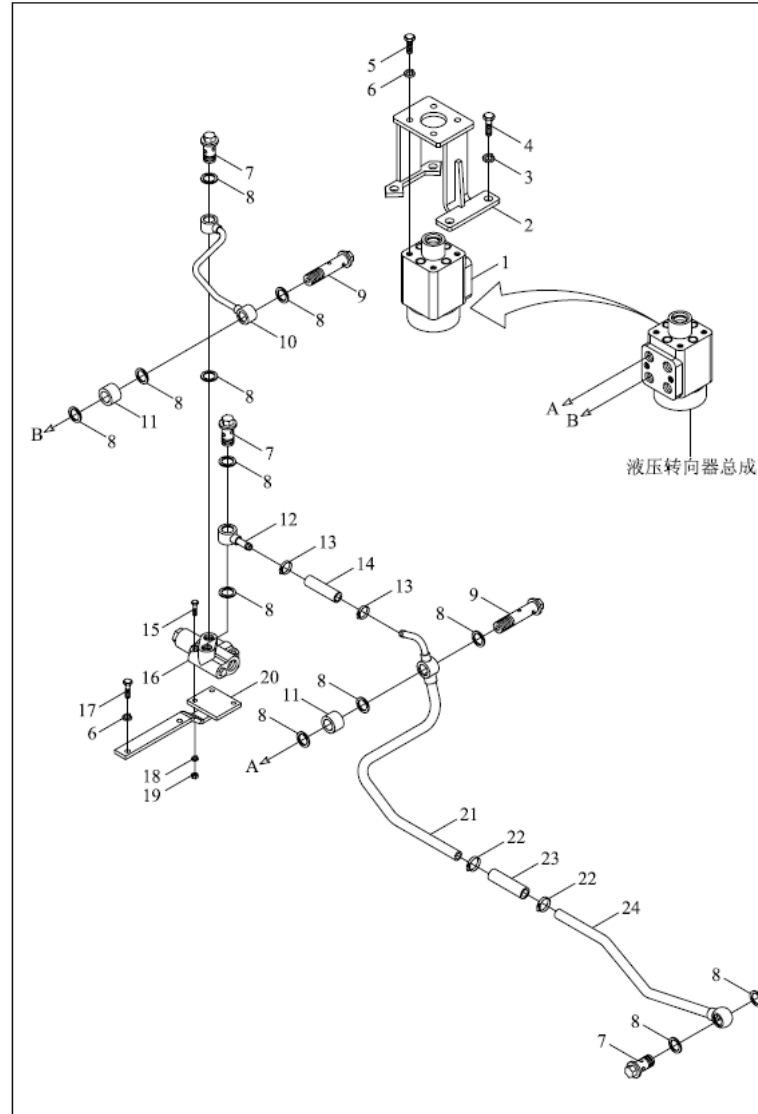
TE250.401G 转向盘总成



TE250.401GZC 40.1-转向盘 STEERING PLATE

标号 No.	代号 Code	名称 Description		数量 Quantity	备注 Remark
1	TE250.401G	转向盘总成	STEERING WHEEL ASSEMBLY	1	2012-01_

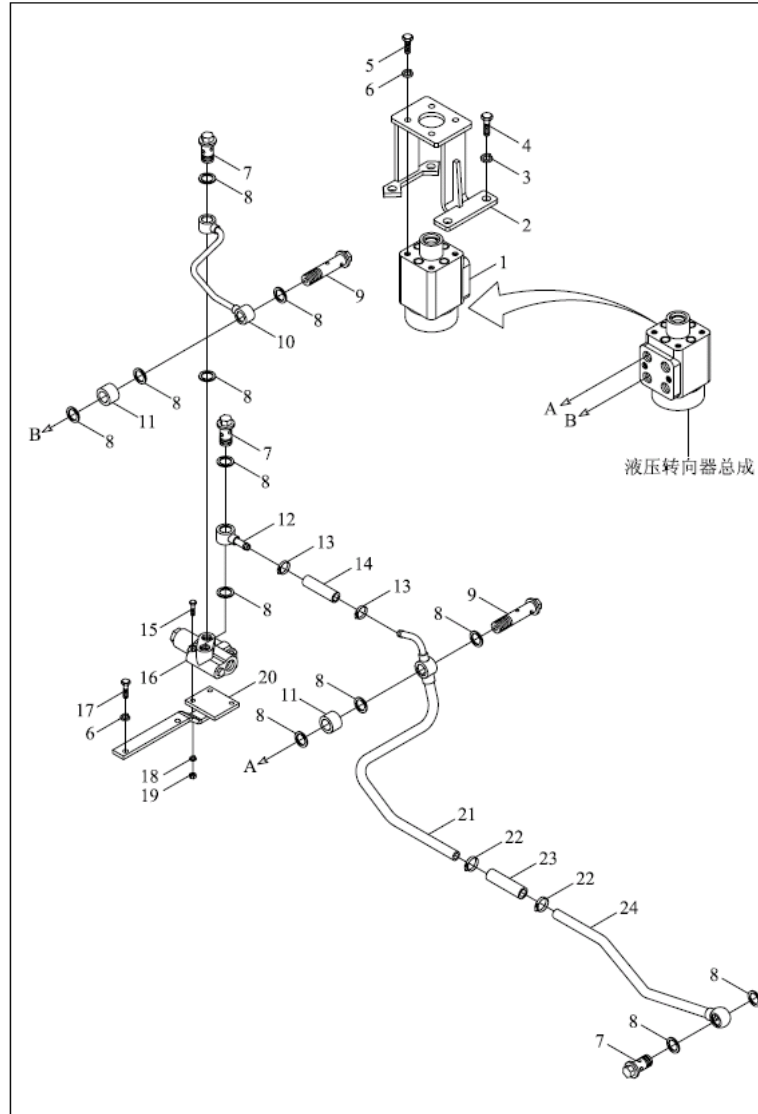
TE254.402D 转向管路总成-1



TE254.402D-1 40.2转向管路总成-1 40.2STEERING PIPE ASSEMBLY-1

标号 No.	代号 Code	名称 Description		数量 Quantity	备注 Remark
1	FT254.40.028	液压转向器总成	HYDRAULIC STEERING MECHANISM ASSEMBLY	1	2011-11_
10	TE254.402C.3	转向器进油管钢总成	REDIRECTOR OIL INLET STEEL PIPE ASSEMBLY	1	2011-11_
11	FT254.40A.114	短接管	SHORT CONNECTING PIPE	2	2011-11_
12	TE254.402C.7	回油短管焊合	OIL RETURN SHORT PIPE WELDMENT	1	2011-11_
13	Q67627	软管环箍27	HOSE HOOP 27	2	2011-11_
14	TE254.402C-01	回油胶管	OIL RETURN RUBBER HOSE	1	2011-11_
15	GBT5782-M8X60-A2L	六角头螺栓	BOLT;SOCKET;THROUGH	3	2011-11_
16	FT254.40.030	单路稳定分流阀	SINGLE-WAY STABILIZER DIVERTER VALVE	1	2011-11_
17	GBT5783-M10X25-A3L	螺栓	BOLT	2	2011-11_
18	GBT93-8-A0P	垫圈	WAHSER	3	2011-11_
19	GBT6170-M8-A2L	螺母	NUT	3	2011-11_
2	TE254.402A.6	转向器支架焊合	REDIRECTOR BRACKET WELDMENT	1	2011-11_
20	TE254.402A.7	分流阀支架焊合	DIVERTER VALVE BRACKET WELDMENT	1	2011-11_
21	TE254.402C.4	回油钢管总成	OIL RETURNING TUBE ASSEMBLY	1	2009-09_
21	TE304.402B.3	回油管焊合总成	OIL RETURN STEEL PIPE ASSEMBLY	1	2011-11_
22	Q67638	A型蜗杆传动式软管环箍	A-TYPE WORM TRANSMISSION HOSE CLAMP	2	2011-11_
23	TE254.402A-01	回油胶管	OIL RETURN RUBBER HOSE	1	2011-11_
24	TE254.402A.11	回油钢管总成二	OIL RETURN STEEL PIPE ASSEMBLY 2	1	2009-09_
24	TE254.402D.3	回油钢管总成	OIL RETURNING TUBE ASSEMBLY	1	2011-12_
3	GBT93-14-A0P	弹簧垫圈	SPRING WASHER	4	2011-11_
3	GBT93-14-A0P	弹簧垫圈	SPRING WASHER	4	2011-11_
4	GBT5783-M14X35-A3L	六角头螺栓	BOLT;SOCKET;THROUGH	4	2011-11_
5	GBT5783-M10X30-A3L	螺栓	BOLT	4	2011-11_
6	GBT93-10-A0P	标准型弹簧垫圈	PLAIN WASHER-LARGE SSRIE	6	2011-11_
7	FT254.40.102	空心螺栓	HOLLOW BOLT	3	2011-11_

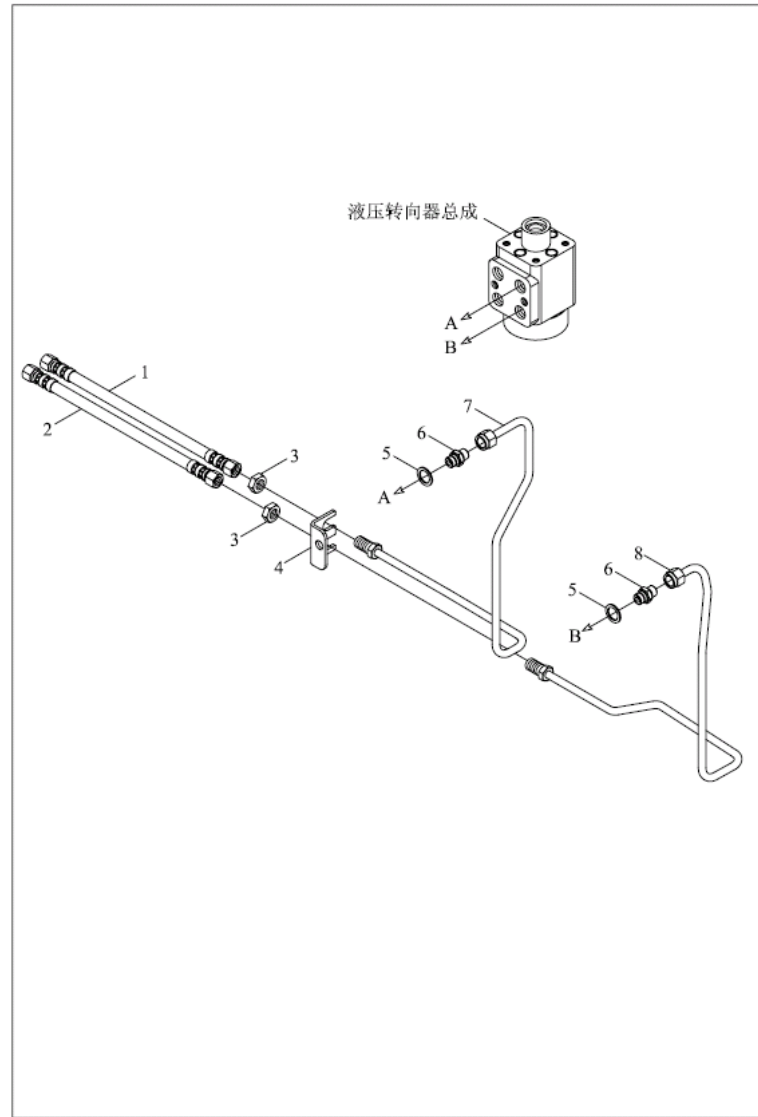
TE254.402D 转向管路总成-1



TE254.402D-1 40.2转向管路总成-1(续)

标号 No.	代号 Code	名称 Description		数量 Quantity	备注 Remark
8	JBT982-20	组合密封垫圈	COMBINED SEAL GASKET	12	2011-11_
9	FT254.40A.112	空心螺栓(1)	HOLLOW BOLT (1)	2	2011-11_

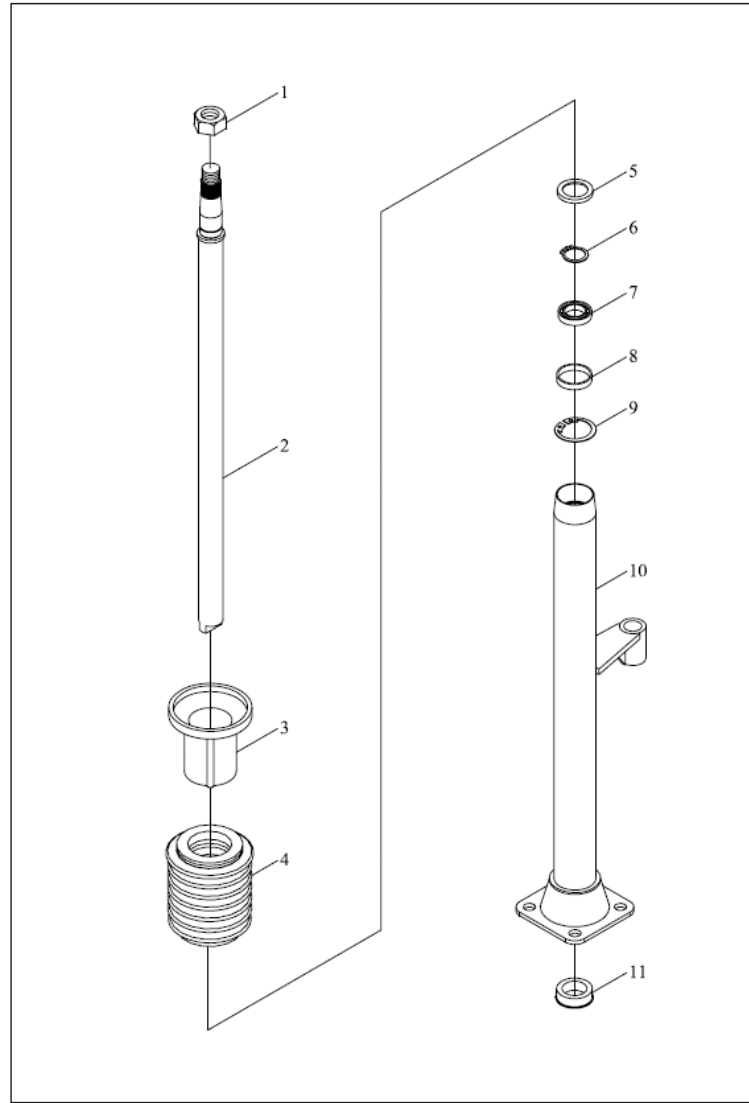
TE254.402D 转向管路总成-2



TE254.402D-2 40.2转向管路总成-2 40.2STEERING PIPE ASSEMBLY-2

标号 No.	代号 Code	名称 Description		数量 Quantity	备注 Remark
1	TE254.402D.5	左高压输油胶管总成	LEFT HIGH PRESSURE OIL SUPPLY RUBBER	1	2011-11_
2	TE254.402D.6	右高压输油胶管总成	HOSE ASSEMBLY	1	2011-11_
3	GBT6173-M16X1.5-A3L	六角薄螺母	RIGHT HIGH PRESSURE OIL SUPPLY RUBBER	2	2011-11_
4	TE254.402D-02	油管支架	PIPE ASSEMBLY	1	2011-11_
5	JBT982-20	组合密封垫圈	HEXAGON THIN NUT	2	2011-11_
6	TE250.402A-05	卡套式端直通接头体	OIL PIPE BRACKET	2	2011-11_
7	TE254.402D.1	左输油钢管总成	COMBINED SEAL GASKET	1	2011-11_
8	TE254.402D.2	右输油钢管总成	JOINT BODY	1	2011-11_
8	TE254.402D.2	右输油钢管总成	LEFT STEEL OIL PIPE ASSEMBLY	1	2011-11_
			OIL CYLINDER RIGHT STEEL PIPE ASSEMBLY		
			OIL CYLINDER RIGHT STEEL PIPE ASSEMBLY		

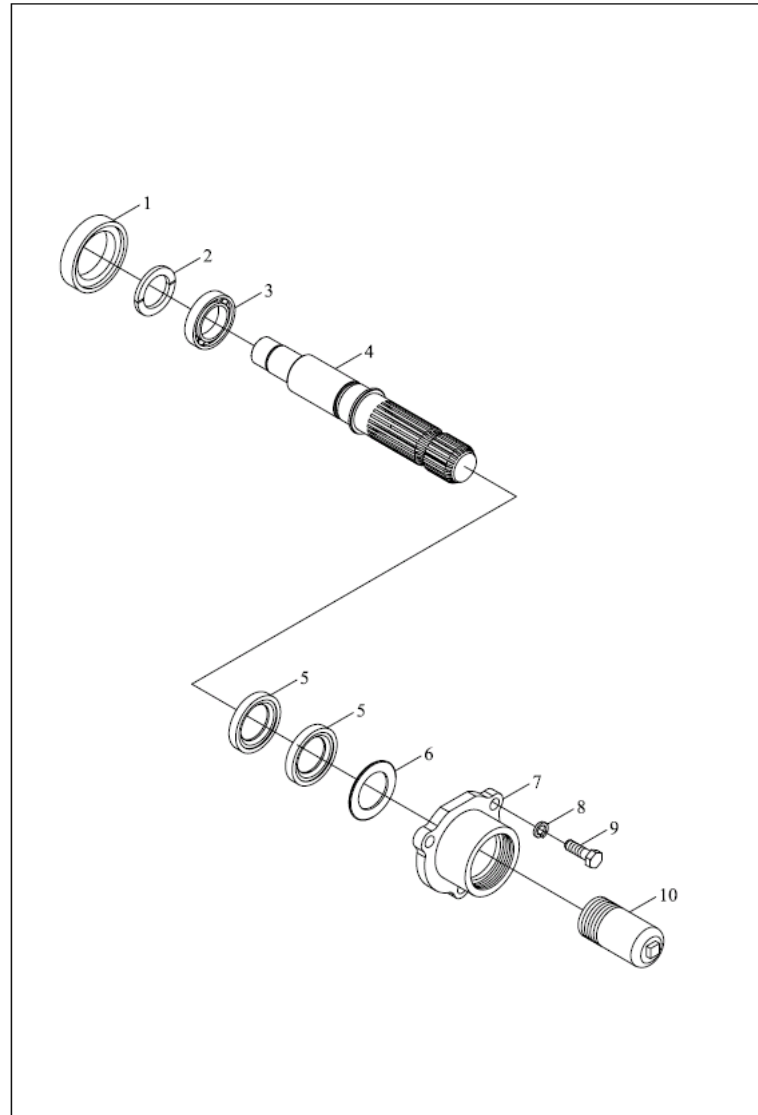
TE250.403B 转向管柱总成



TE250.403B 40.3-转向管柱总成 40.3-STEERING PIPE COLUMN ASSEMBLY

标号 No.	代号 Code	名称 Description		数量 Quantity	备注 Remark
1	GBT6173-M16X1.5-A3L	六角薄螺母	HEXAGON THIN NUT	1	2011-11_
10	TE250.403B.1	转向套筒焊合	STEERING SLEEVE WELDMENT	1	2011-11_
11	FT254.40.114	隔套	AIR INTCKE PIPE	1	2011-11_
2	TE250.403B-01	转向杆	STEERING ROD	1	2011-11_
3	FT650.40.014	喇叭电刷座总成	HORN BRUSH SEAT ASSEMBLY	1	2011-11_
4	FT220.40.301	转向杆护套	STEERING ROD SLEEVE	1	2011-11_
5	FT650.40.172	轴承挡圈	BEARING RETAINER RING	1	2011-11_
6	GBT894.1-20	挡圈20	RETAINER RING	1	2011-11_
7	GBT276-61804-2LS	轴承	BEARING TAPER ROLLER	1	2011-11_
8	FT650.40.173	轴承挡圈2	BEARING RETAINER RING 2	1	2011-11_
9	GBT893.1-32	档圈	RETAINER RING	1	2011-11_

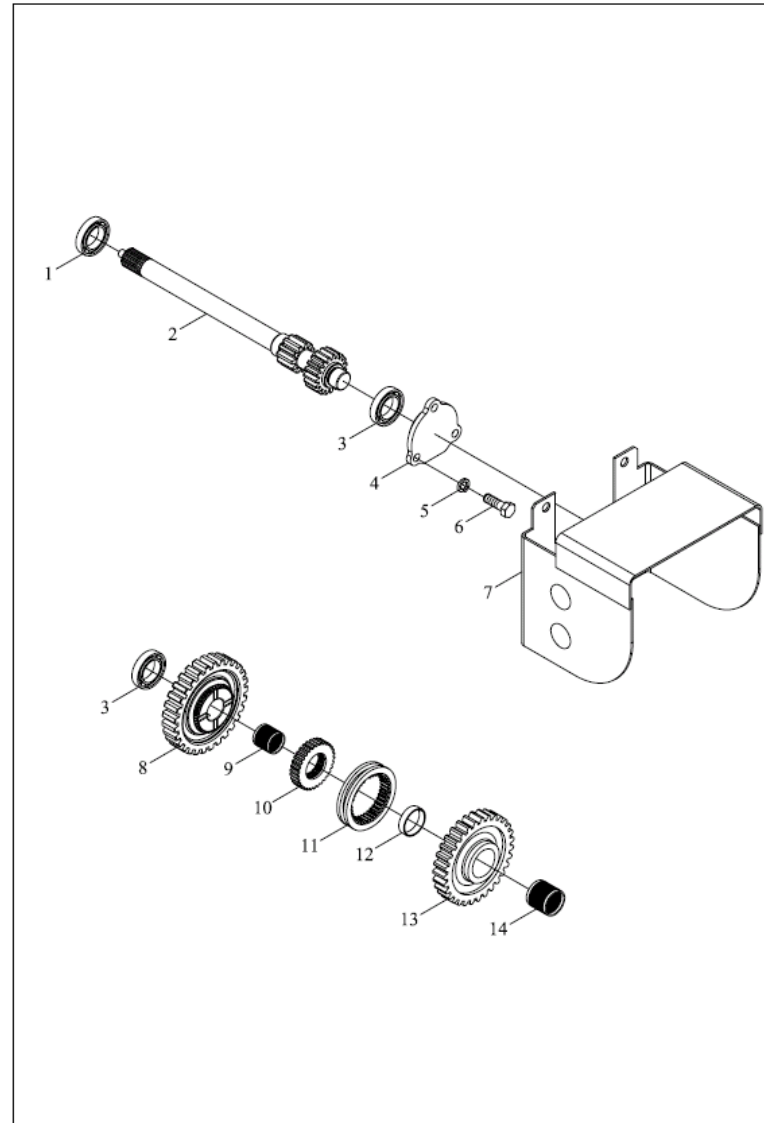
TE250.411C 动力输出轴总成



TE250.411C 41.1-动力输出轴总成 41.1-PTO SHAFT ASSEMBLY

标号 No.	代号 Code	名称 Description		数量 Quantity	备注 Remark
0	TE250.411B-03	止推片挡环	THRUST WASHER RETAINER RING	999	2011-11_
0	TE250.411B-04	止推片挡环	THRUST WASHER RETAINER RING	999	2011-11_
1	TE250.411B-02	止推片挡环	THRUST WASHER RETAINER RING	999	2011-11_
10	TE250.411C-02	动力输出轴护罩	PTO SHAFT HOOD	1	2011-11_
10	TB550.412-02	动力输出轴护罩	PTO SHAFT HOOD	1	2011-11_
2	FT250.41.131	止推片	THRUST SHIM	1	2011-11_
3	GBT276-6207	轴承	BEARING TAPER ROLLER	1	2011-11_
4	TE250.411C-01	动力输出轴	THE OUTPUT MOTIVITY AXIS	1	2011-11_
5	GBT9877.1-FB40X55X8D	内包骨架旋转轴唇形密封	O RING	2	2011-11_
6	TE250.411C-03	动力输出油封挡圈	PTO OIL SEAL RETAINER RING	1	2011-11_
7	FT250.41.104	动力输出轴轴承盖	PTO SHAFT BEARING COVER	1	2011-11_
8	GBT93-10-A0P	标准型弹簧垫圈	PLAIN WASHER-LARGE SSRIE	3	2011-11_
9	GBT5783-M10X25-A3L	螺栓	BOLT	3	2011-11_

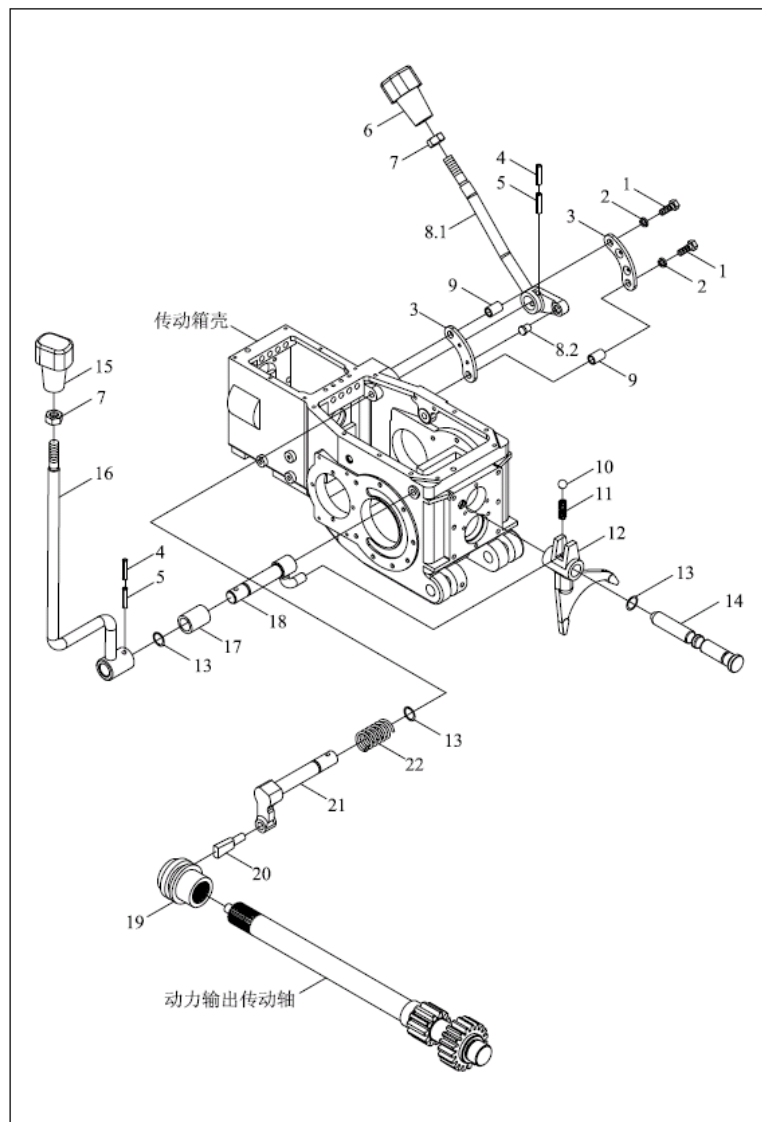
TE250.412C 动力输出齿轮总成



TE250.412C 41.2-动力输出齿轮总成 41.2-PTO GEAR ASSEMBLY

标号 No.	代号 Code	名称 Description		数量 Quantity	备注 Remark
1	GBT276-6206	深沟球轴承	BEARING	1	2011-11_
10	TE250.412B-06	动力输出啮合座	PTO MESHING SEAT	1	2011-11_
11	TE250.412B-03	动力输出啮合套	PTO SHIFT COLLAR	1	2011-11_
12	TE250.412B-04	隔套	AIR INTCKE PIPE	1	2011-11_
13	TE250.412C-02	动力输出从动齿轮	PTO DRIVEN GEAR	1	2011-11_
14	JBT7918-K35X40X27	向心滚针和保持架组件	NEEDLE AND CARRIER UNIT	1	2011-11_
2	TE250.412C-01	动力输出传动轴	PTO TRANSMISSION SHAFT	1	2011-11_
3	GBT276-6305	轴承	BEARING TAPER ROLLER	2	2011-11_
4	FT250.41.103	传动轴轴承盖	TRANSMISSION SHAFT BEARING COVER	1	2011-11_
5	GBT93-10-A0P	标准型弹簧垫圈	PLAIN WASHER-LARGE SSRIE	3	2011-11_
6	GBT5783-M10X25-A3L	螺栓	BOLT	3	2011-11_
7	FT250.41.018a	动力输出防护罩焊合	PTO BONNET WELDMENT	1	2011-11_
8	TE250.412B-02	动力输出从动齿轮	PTO DRIVEN GEAR	1	2011-11_
9	TE250.412B-07	滚针轴承	BEARING,NEEDLE	1	2011-11_

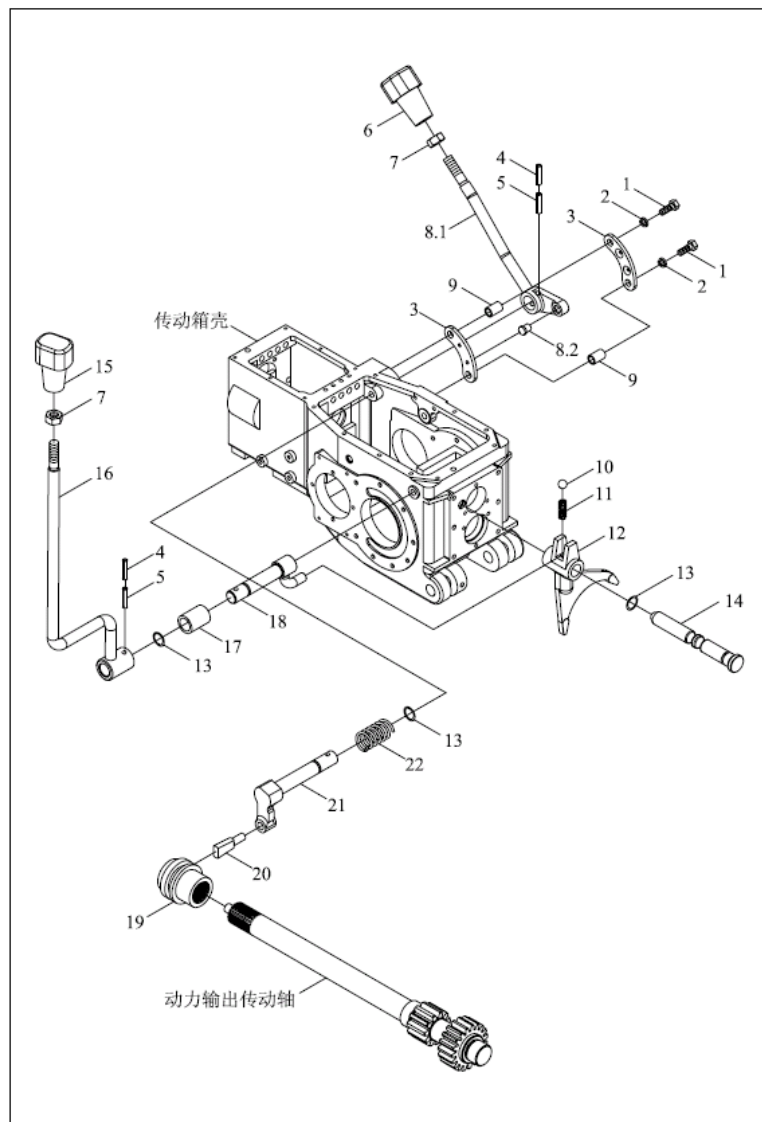
TE250.413B 动力输出操纵机构总成



TE250.413B 41.3-动力输出操纵机构总成 41.3-PTO CONTROL MECHANISM ASSEMBLY

标号 No.	代号 Code	名称 Description		数量 Quantity	备注 Remark
1	GBT5781-M8X35-A2L	六角头螺栓	BOLT;SOCKET;THROUGH	2	2011-11_
10	GBT308-8.731-G200-b	钢球	STEEL BALL	1	2004-01_
11	FT250.37.148	拨叉轴锁定弹簧	FORK SHAFT LOCKING SPRING	1	2011-11_
11	FT250.37.148	拨叉轴锁定弹簧	FORK SHAFT LOCKING SPRING	1	2011-11_
12	TE250.413B-02	动力输出换档拨叉	PTO GEARSHIFT FORK	1	2011-11_
12	TE250.413B-02	动力输出换档拨叉	PTO GEARSHIFT FORK	1	2011-11_
13	GBT3452.1-11.8X1.80G	液气气动用O形橡胶密封圈	O-SEAL RING	3	2011-11_
14	TE250.413B-01	动力输出换档拨叉轴	PTO GEARSHIFT FORK SHAFT	1	2011-11_
15	FT250.41.016	动力输出换档手柄	PTO GEARSHIFT HANDLE	1	2011-11_
16	FT250.41.014	动力输出换档操纵杆焊合	PTO GEARSHIFT CONTROL ROD WELDMENT	1	2011-11_
17	TE300.413-04	隔套	AIR INTCKE PIPE	1	2011-11_
18	FT250.41.013	动力输出换档拨杆总成	PTO GEARSHIFT DIAL ROD ASSEMBLY	1	2011-11_
19	FT250.41.101	花键套	SPLINE BUSH	1	2011-11_
2	GBT93-8-A0P	垫圈	WAHSER	2	2011-11_
20	FT250.41.109	动力输出轴拨叉头	PTO SHAFT FORK HEAD	1	2011-11_
21	FT250.41.110	动力输出拨叉轴	PTO FORK SHAFT	1	2011-11_
22	FT250.41.114	分离杆弹簧	RELEASE ROD SPRING	1	2011-11_
22	FT250.41.114	分离杆弹簧	RELEASE ROD SPRING	1	2011-11_
3	FT250.41.112	分离杆定位片	RELEASE ROD FIXING PIECE	2	2011-11_
4	GBT879.1-3X24	弹性圆柱销	PIN,LOCK	2	2011-11_
5	GBT879.1-5X24	弹性圆柱销	PIN,LOCK	2	2011-11_
6	FT250.41.011	动力输出分离操纵手柄	PTO RELEASE CONTROL HANDLE	1	2011-11_
7	GBT6170-M10-A3L	螺母	NUT	2	2011-11_
8	FT250.41.012	分离杆及销总成	RELEASE ROD AND PIN ASSEMBLY	1	2011-11_
8.1	FT250.41.017	分离杆总成	RELEASE ROD ASSEMBLY	1	2011-11_

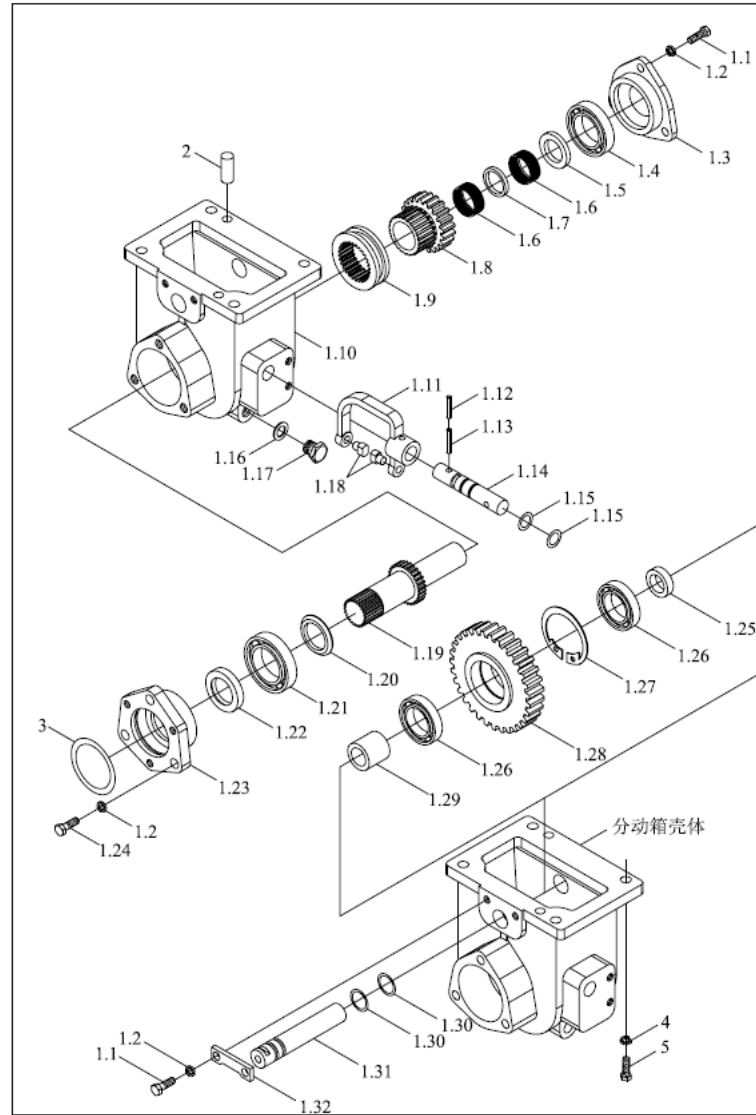
TE250.413B 动力输出操纵机构总成



TE250.413B 41.3-动力输出操纵机构总成(续)

标号 No.	代号 Code	名称 Description		数量 Quantity	备注 Remark
8.1	FT250.41.017	分离杆总成	RELEASE ROD ASSEMBLY	1	2011-11_
8.2	FT250.41.128	限位销	LIMITING PIN	1	2011-11_
9	FT250.41.111	隔套	AIR INTCKE PIPE	2	2011-11_

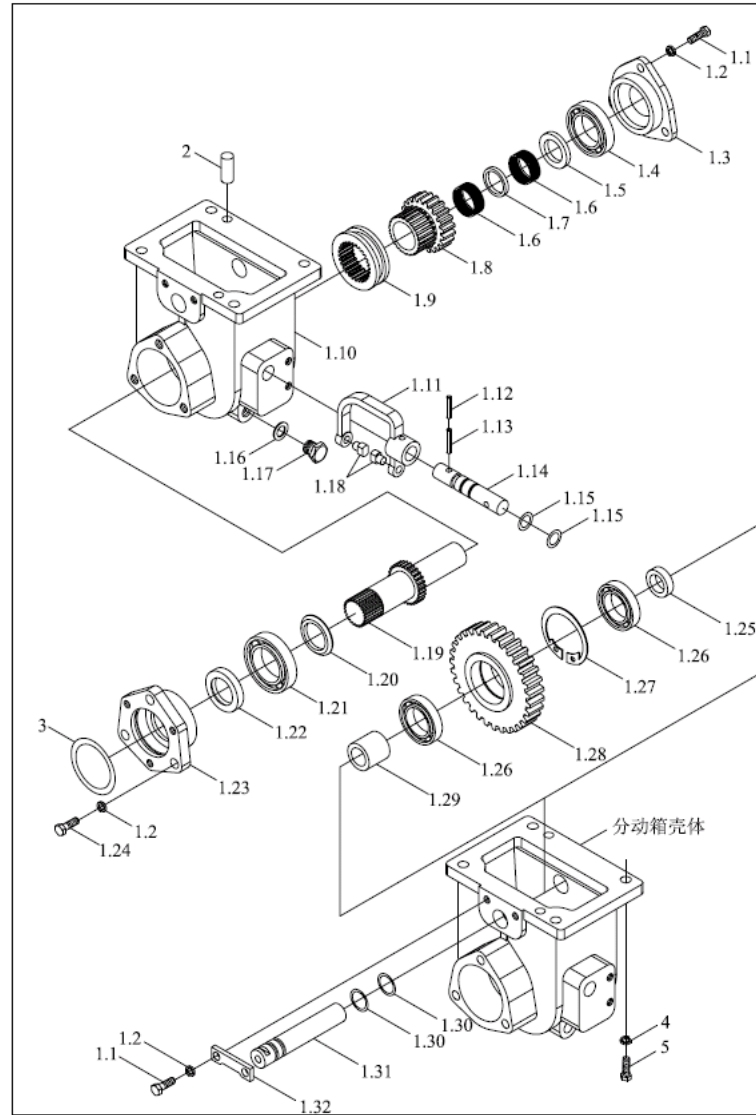
TE254.421B 分动箱总成



TE254.421B 42.1-分动箱总成 42.1-TRANSFER CASE ASSEMBLY

标号 No.	代号 Code	名称 Description		数量 Quantity	备注 Remark
1	TE254.421B.1	分动箱箱体总成	TRANSFER CASE HOUSING ASSEMBLY	1	2011-11_
1.1	TE254.421A.1-01	分动箱壳体	TRANSFER CASE HOUSING	1	2011-11_
1.1	GBT5783-M10X20-A3L	螺栓	BOLT	5	2011-11_
1.11	TE254.421A.1-02	分动箱拨叉	TRANSFER CASE FORK	1	2011-11_
1.12	GBT879.1-6X24	弹性圆柱销	PIN,LOCK	1	2011-11_
1.13	GBT879.1-3.5X24	弹性圆柱销	PIN,LOCK	1	2011-11_
1.14	TE254.421A.1-03	分动箱拨叉轴	TRANSFER CASE FORK SHAFT	1	2011-11_
1.15	GBT3452.1-12.5X1.80G	液压气动用O形橡胶密封圈	O-SEAL RING	2	2011-11_
1.16	JBT982-12	组合密封垫圈	COMBINED SEAL GASKET	1	2011-11_
1.17	Q617B12	六角头螺塞	SCREW PLUG	1	2011-11_
1.18	FT254.42.121	分动箱拨叉头	TRANSFER CASE FORK HEAD	2	2011-11_
1.19	FT254.42.102	输出轴	SHAFT,OUTPUT	1	2011-11_
1.2	FT254.42.109	输出轴前止推环	OUTPUT SHAFT FRONT THRUST RING	1	2011-11_
1.2	GBT93-10-A0P	标准型弹簧垫圈	PLAIN WASHER-LARGE SSRIE	8	2011-11_
1.21	GBT276-6206	深沟球轴承	BEARING	1	2011-11_
1.22	TE254.421.1.1	油封	OIL SEAL	1	2011-11_
1.22	TE254.421.1.1	油封	OIL SEAL	1	2011-11_
1.23	TE254.421A.1-09	前轴承盖	FRONT BEARING COVER	1	2011-11_
1.24	GBT5783-M10X30-A3L	螺栓	BOLT	3	2011-11_
1.25	TE254.421A.1-10	中间轴小止推环	MIDDLE SHAFT SMALL THRUST RING	1	2011-11_
1.26	GBT276-6204	深沟球轴承	BEARING	2	2011-11_
1.27	GBT893.1-47	挡圈	RETAINER RING	1	2011-11_
1.28	TE254.421B.1-02	分动箱中间齿轮	TRANSFER CASE MIDDLE GEAR	1	2011-11_
1.29	TE254.421A.1-11	中间轴大止推环	MIDDLE SHAFT BIG THRUST RING	1	2011-11_
1.3	TE254.421A.1-04	后轴承盖	REAR BEARING COVER	1	2011-11_

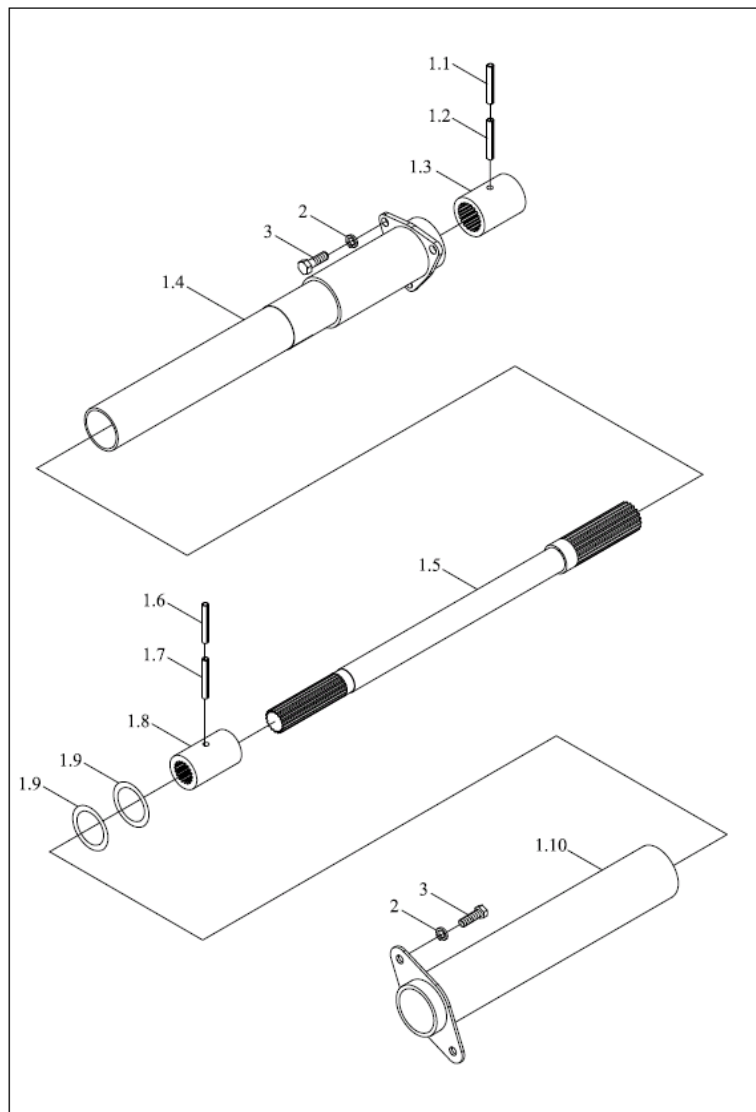
TE254.421B 分动箱总成



TE254.421B 42.1-分动箱总成(续)

标号 No.	代号 Code	名称 Description		数量 Quantity	备注 Remark
1.3	GBT3452.1-15.0X2.65G	液压气动用O形橡胶密封圈	O-SEAL RING	2	2011-11_
1.31	TE254.421A.1-05	中间轴	MIDDLE SHAFT	1	2011-11_
1.32	TE254.421A.1-07	中间轴定位板	MIDDLE SHAFT LOCATING PLATE	1	2011-11_
1.4	GBT276-6305	轴承	BEARING TAPER ROLLER	1	2011-11_
1.5	FT254.42.107	输出轴后止推环	OUTPUT SHAFT REAR THRUST RING	1	2011-11_
1.5	FT254.42.107	输出轴后止推环	OUTPUT SHAFT REAR THRUST RING	1	2011-11_
1.7	FT254.42.108	输出轴滚针轴承隔套	OUTPUT SHAFT ROLLING BEARING SPACER	1	2011-11_
1.8	TE254.421B.1-01a	分动箱从动齿轮	BUSH	1	2011-11_
1.9	FT254.42F.103	啮合套	TRANSFER CASE DRIVEN GEAR	1	2011-11_
2	GBT119.1-10m6X18-A0P	圆柱销	SHIFT COLLAR PIN	2	2011-11_
3	GBT3452.1-53.0X2.65G	液压气动用O形橡胶密封圈		1	2004-01_
4	GBT93-10-A0P	标准型弹簧垫圈	O-SEAL RING	4	2011-11_
5	GBT5783-M10X30-10.9-A3L	六角头螺栓	PLAIN WASHER-LARGE SSRIE BOLT;SOCKET;THROUGH	4	2011-11_

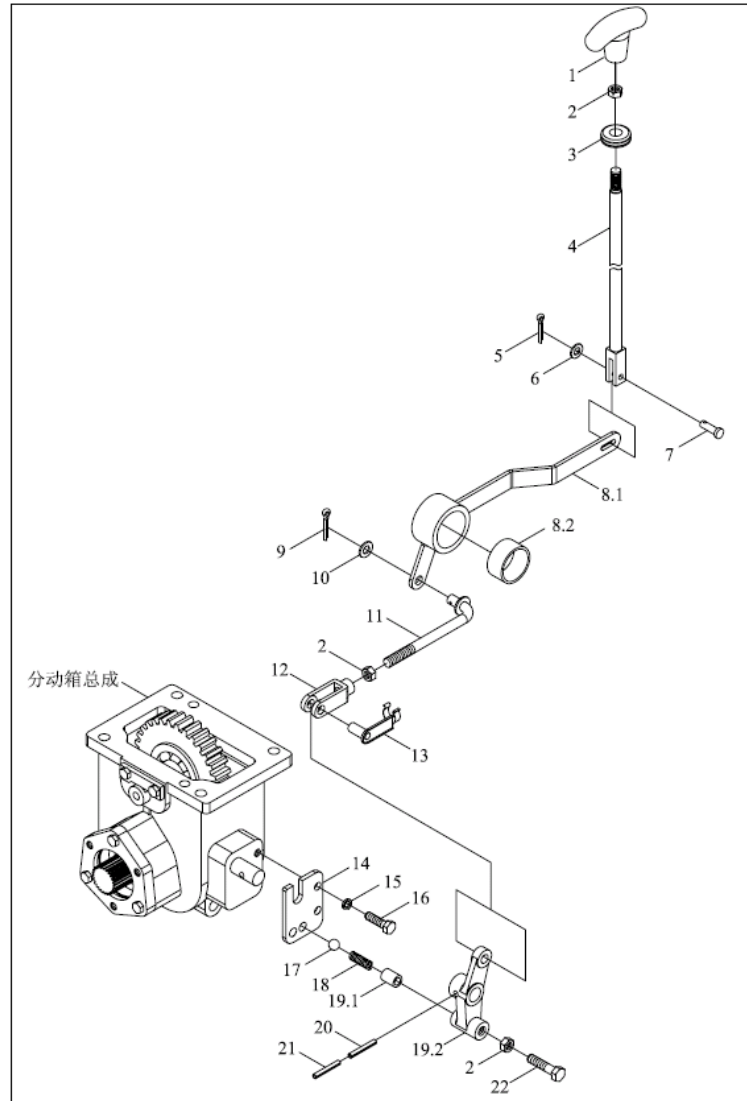
TE254.422A 分动箱传动轴总成



TE254.422A 42.2-分动箱传动轴总成 42.2-TRANSFER CASE TRANSMISSION SHAFT ASSEMBLY

标号 No.	代号 Code	名称 Description		数量 Quantity	备注 Remark
1	TE254.422A.1	分动箱传动轴装配	TRANSFER CASE TRANSMISSION SHAFT	1	2011-11_
1.1	GB/T879.1-3.5X40	弹性圆柱销	INSTALLATION	1	2011-11_
1.1	TE254.422A.1.1	前护套管焊合	PIN,LOCK	1	2011-11_
1.2	GB/T879.1-6X40	弹簧圆柱销	FRONT SLEEVE PIPE WELDMENT	1	2011-11_
1.3	FT254.42.113	花键套	SPRING COLUMN PIN SPLINE BUSH	1	2011-11_
1.4	TE254.422A.1.2	后护套管焊合		1	2011-11_
1.5	TE254.422A.1-02	分动箱传动轴	REAR SLEEVE PIPE WELDMENT	1	2011-11_
1.6	GB/T879.1-3.5X35	弹性圆柱销	TRANSFER CASE TRANSMISSION SHAFT	1	2011-11_
1.7	GB/T879.1-6X35	弹性圆柱销	PIN,LOCK	1	2011-11_
1.8	FT254.42F.120	前花键套	PIN,LOCK FRONT SPLINE BUSH	1	2011-11_
1.9	GB/T3452.1-45.0X3.55G	液压气动用O形橡胶密封圈		2	2011-11_
2	GB/T93-8-A0P	垫圈	O-SEAL RING	5	2011-11_
3	GB/T5781-M8X16-A2L	六角头螺栓	WAHSER BOLT;SOCKET;THROUGH	5	2011-11_

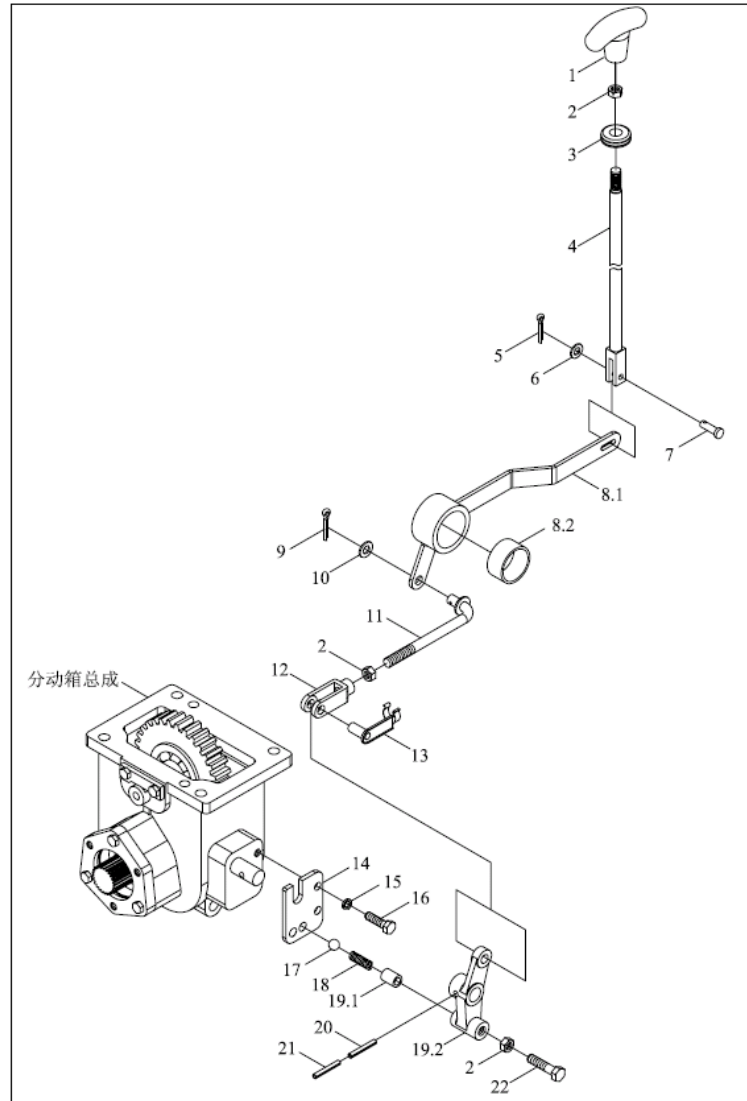
TE254.423A 分动箱操纵总成



TE254.423A 42.3-分动箱操纵总成 42.3-TRANSFER CASE CONTROL ASSEMBLY

标号 No.	代号 Code	名称 Description		数量 Quantity	备注 Remark
1	FT65.38.051	拉压手柄	PULL/PRESS HANDLE	1	2011-11_
10	GBT97.1-10-A0P	平垫圈	FLAT WASHER	1	2011-11_
11	TE254.423A.4	中间拉杆焊合	MIDDLE PULL ROD WELDMENT	1	2011-11_
12	FT800A.43B.116	右旋拉杆叉	RIGHT REVOLVING PULL ROD FORK	1	2011-11_
13	FT800A.43B.011	定位销铆合件	LOCATING PIN RIVET UNIT	1	2011-11_
14	TE254.423A-05	定位板	LOCATING PLATE	1	2011-11_
15	GBT93-8-A0P	垫圈	WASHER	2	2011-11_
16	GBT5783-M8X20-A2L	螺栓	BOLT	2	2011-11_
17	GBT308-8-G100-B	钢球	STEEL BALL	1	2011-11_
18	FT304.42.124	定位弹簧	LOCATING SPRING	1	2011-11_
19	TE254.423A.1	摇臂合件	ROCKER UNIT	1	2011-11_
19.1	FT304.42.135	衬套	SLEEVE	1	2011-11_
19.2	TE254.423A.1-01	摇臂	ROCKER	1	2011-11_
2	GBT6170-M10-A3L	螺母	NUT	3	2011-11_
20	GBT879.1-3.5X24	弹性圆柱销	PIN,LOCK	1	2011-11_
21	GBT879.1-6X24	弹性圆柱销	PIN,LOCK	1	2011-11_
22	GBT5783-M10X25-A3L	螺栓	BOLT	1	2011-11_
3	TE254.423A-01	穿线胶圈	THROUGH HARNESS WASHER	1	2011-11_
3	TE254.423A-01	穿线胶圈	THROUGH HARNESS WASHER	1	2011-11_
4	TE254.423A.3	操纵杆焊合	CONTROL ROD WELDMENT	1	2011-11_
5	GBT91-2.0X20-A0P	开口销	PIN	1	2011-11_
6	GBT97.1-6-A0P	平垫圈	FLAT WASHER	1	2011-11_
7	GBT882-B6X22	销轴	JOINT	1	2011-11_
8	TE254.423A.2	中间摇臂合件	MIDDLE ROCKER UNIT	1	2011-11_
8.1	TE254.423A.2.1	中间摇臂焊合	MIDDLE ROCKER WELDMENT	1	2011-11_

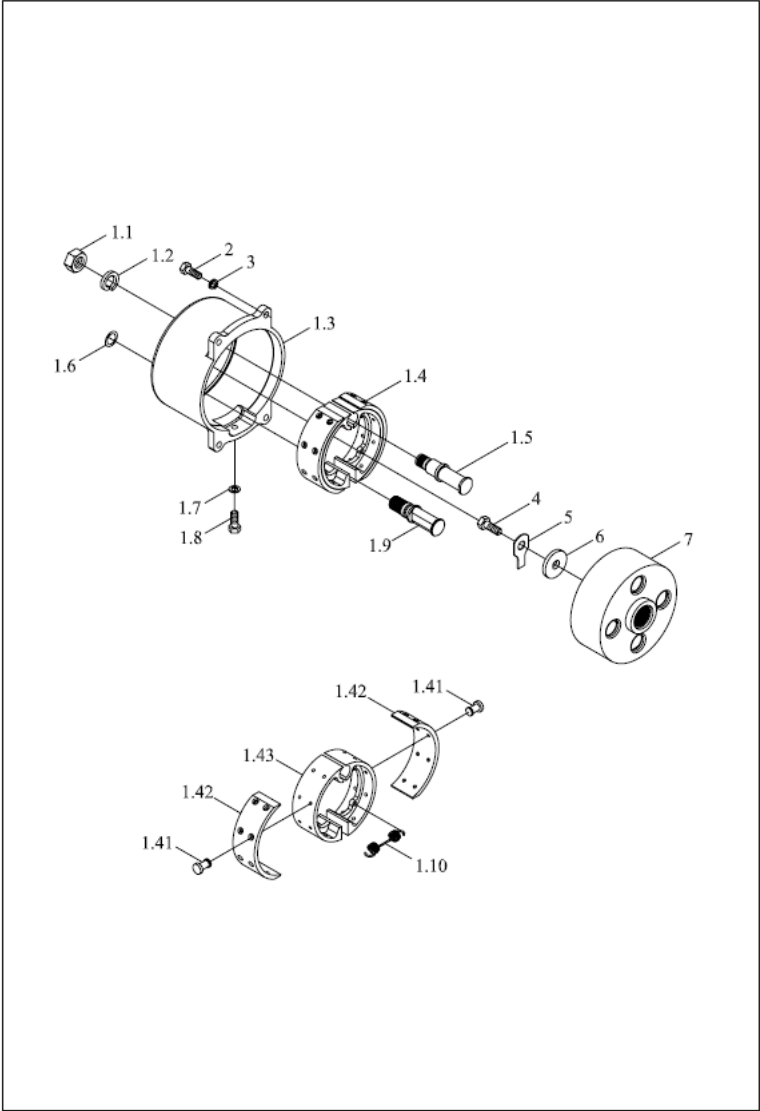
TE254.423A 分动箱操纵总成



TE254.423A 42.3-分动箱操纵总成(续)

标号 No.	代号 Code	名称 Description		数量 Quantity	备注 Remark
8.2	TE254.423A.2-02	中间摇臂衬套	MIDDLE ROCKER BUSH	1	2011-11_
9	GBT91-3.2X20-A0P	开口销	PIN	1	2011-11_
9	GBT91-3.2X20-A0P	开口销	PIN	1	2011-11_

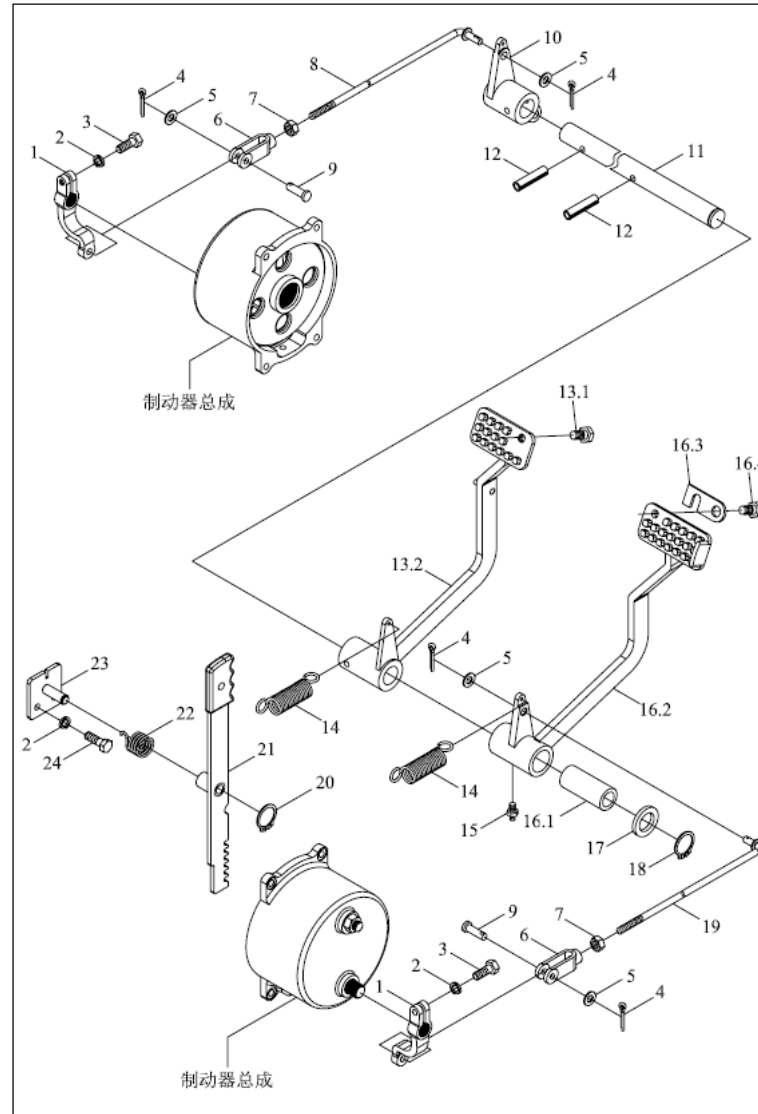
FT250.43.001 制动器及操纵机构-1



FT250.43.001-1 43制动器及操纵机构 43BRAKE AND CONTROL MECHANISM

标号 No.	代号 Code	名称 Description		数量 Quantity	备注 Remark
1	FT250.43.011	制动器总成	WHEEL BRAK	2	2011-11_
1.1	FT250.43.123	回位弹簧	SPRING SHOE	2	2011-11_
1.2	GBT93-16-Zn.D	标准型弹簧垫圈	PLAIN WASHER-LARGE SSRIE	1	2011-11_
1.3	FT250.43.121	制动器壳	BRAKE HOUSING	1	2011-11_
1.4	FT250.43.012	制动蹄总成	BRAKE HOOF ASSEMBLY	4	2011-11_
1.41	GBT109-4X13	平头铆钉	RIVET	16	2011-11_
1.42	FT250.43.129	制动摩擦片	BRAKE FRICTION PLATE	2	2011-11_
1.43	FT250.43.128	制动蹄	BRAKE SHOE	1	2011-11_
1.5	FT250.43.122	制动器销轴	BRAKE PIN SHAFT	1	2011-11_
1.6	GBT3452.1-15X2.65G	液压气动用O形橡胶密封圈	O-SEAL RING	1	2011-11_
1.7	GBT97.1-8-A0P	平垫圈	FLAT WASHER	1	2011-11_
1.9	FT250.43.124	制动凸轮	BRAKE CAM	1	2011-11_
2	GBT5783-M8X25-8.8-A2L	六角头螺栓	BOLT;SOCKET;THROUGH	4	2004-01_
3	GBT93-8-Zn.D	标准型弹簧垫圈	PLAIN WASHER-LARGE SSRIE	4	2004-01_
4	GBT5783-M12X25-8.8-A3L	六角头螺栓	BOLT;SOCKET;THROUGH	1	2004-01_
5	FT250.43.104a	单耳止动垫圈	STOPPING WASHER	1	2010-08_
5	FT250.43.104	单耳止动垫圈	STOPPING WASHER	1	2004-01_
6	FT250.43.101	垫圈	WAHSER	1	2011-11_
7	FT250.43.105	制动鼓	BRAKE DRUM	1	2011-11_

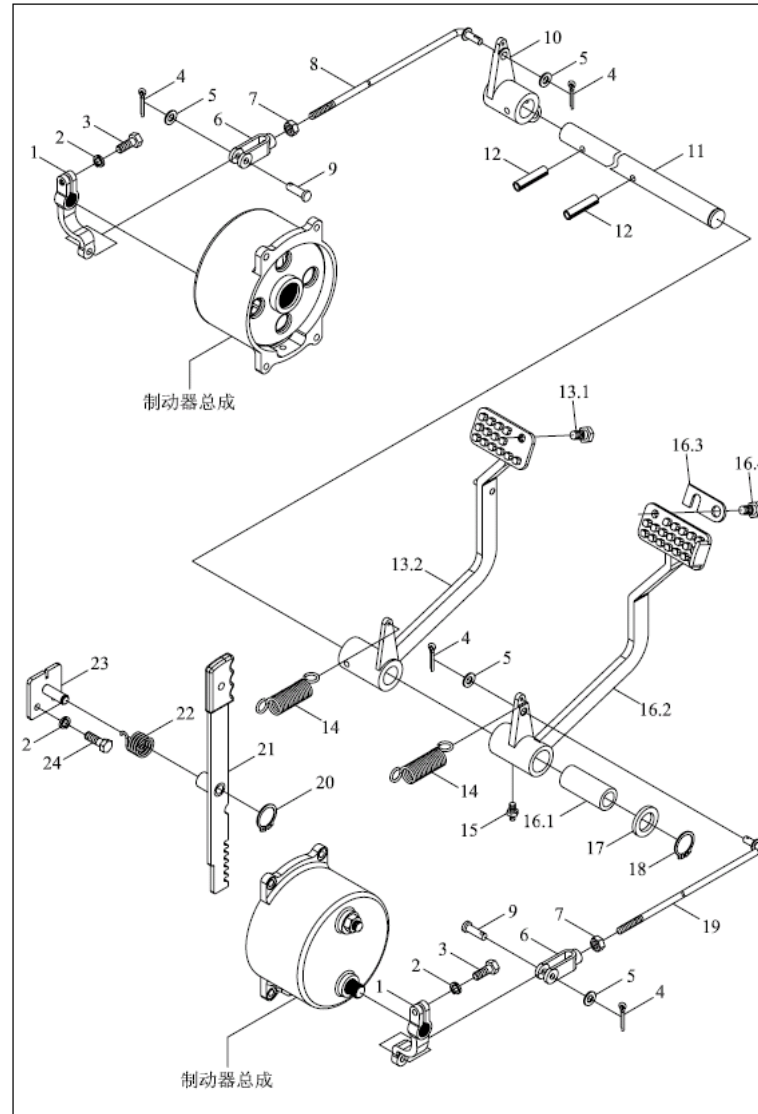
FT250.43.001 制动器及操纵机构-2



FT250.43.001-2 43制动器及操纵机构-2 43BRAKE AND CONTROL MECHANISM-2

标号 No.	代号 Code	名称 Description		数量 Quantity	备注 Remark
1	FT250.43.102	制动摇臂	BRAKE ROCKER	2	2011-11_
10	FT250.43.111	左制动短摇臂	LEFT BRAKE SHORT ROCKER	1	2011-11_
11	FT250.43.113	制动器踏板轴	BRAKE PEDAL SHAFT	1	2011-11_
12	GBT879.1-8X40	弹性圆柱销	PIN,LOCK	2	2011-11_
13	FT250.43.018	左制动踏板总成	LEFT BRAKE PEDAL ASSEMBLY	1	2011-11_
13.1	FT65.43.132	螺钉	SCREW	1	2011-11_
13.2	FT250.43.021	左制动踏板焊合	LEFT BRAKE PEDAL WELDMENT	1	2011-11_
14	FT200.21.101	离合器踏板弹簧	CLUTCH PEDAL SPRING	2	2011-11_
15	JBT7940.1-M10X1	直通式压注油杯	STRAIGHT PRESSURE FILLING OIL CUP	1	2011-11_
16	FT250.43.019	右制动踏板总成	RIGHT BRAKE PEDAL ASSEMBLY	1	2011-11_
16.1	FT250.43.162	制动踏板毂衬套	BRAKE PEDAL HOUSING LINER	1	2011-11_
16.2	FT250.43.020	右制动踏板焊合	RIGHT BRAKE PEDAL WELDMENT	1	2011-11_
16.3	FT65.43.130	连锁板	INTERLOCKING PLATE	1	2011-11_
16.4	FT65.43.132	螺钉	SCREW	1	2011-11_
17	FT250.43.112	挡圈	RETAINER RING	1	2011-11_
18	GBT894.1-25	挡圈	RETAINER RING	1	2011-11_
19	FT250.43.013	右制动拉杆焊合	RIGHT BRAKE PULL ROD WELDMENT	1	2011-11_
2	GBT93-8-Zn.D	标准型弹簧垫圈	PLAIN WASHER-LARGE SSRIE	4	2004-01_
20	GBT894.1-12	轴用弹性挡圈	SNAP RING	1	2011-11_
21	FT250.43.015	制动器锁定板组件	BRAKE LOCKING PLATE COMBINATION	1	2011-11_
22	FT250.43.157	扭力弹簧	TORQUE SPRING	1	2011-11_
23	FT250.43.025	固定板焊合	FIXING PLATE WELDMENT	1	2011-11_
3	GBT5783-M8X25-8.8-A2	六角头螺栓	BOLT;SOCKET;THROUGH	2	2004-01_
4	GBT91-3.2X16-Zn.D	开口销	PIN	5	2011-11_
5	GBT97.1-8	垫圈	WAHSER	5	2004-01_

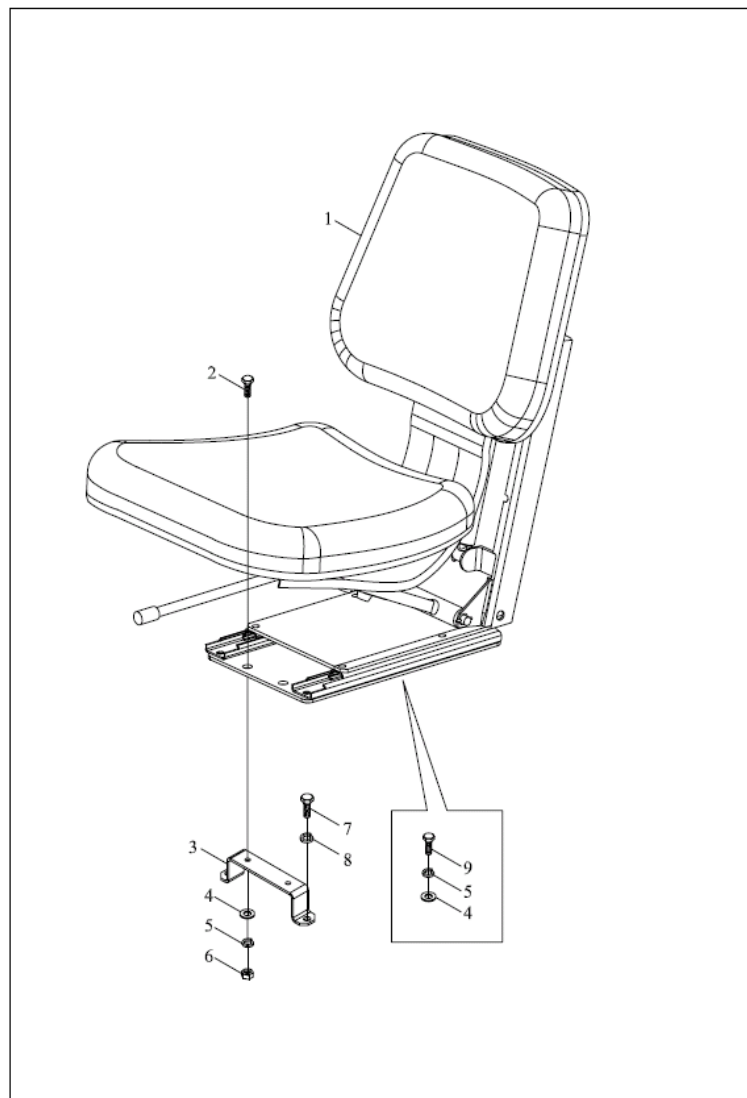
FT250.43.001 制动器及操纵机构-2



FT250.43.001-2 43制动器及操纵机构-2(续)

标号 No.	代号 Code	名称 Description		数量 Quantity	备注 Remark
6	FT250.43.103	制动拉杆调整叉	BRAKE PULL ROD ADJUSTING FORK	2	2011-11_
7	GB/T6170-M8-Zn.D	1型六角螺母	HEXAGON NUT, TYPE-1	2	2011-11_
8	FT250.43.014	左制动拉杆焊合	LEFT BRAKE PULL ROD WELDMENT	1	2011-11_

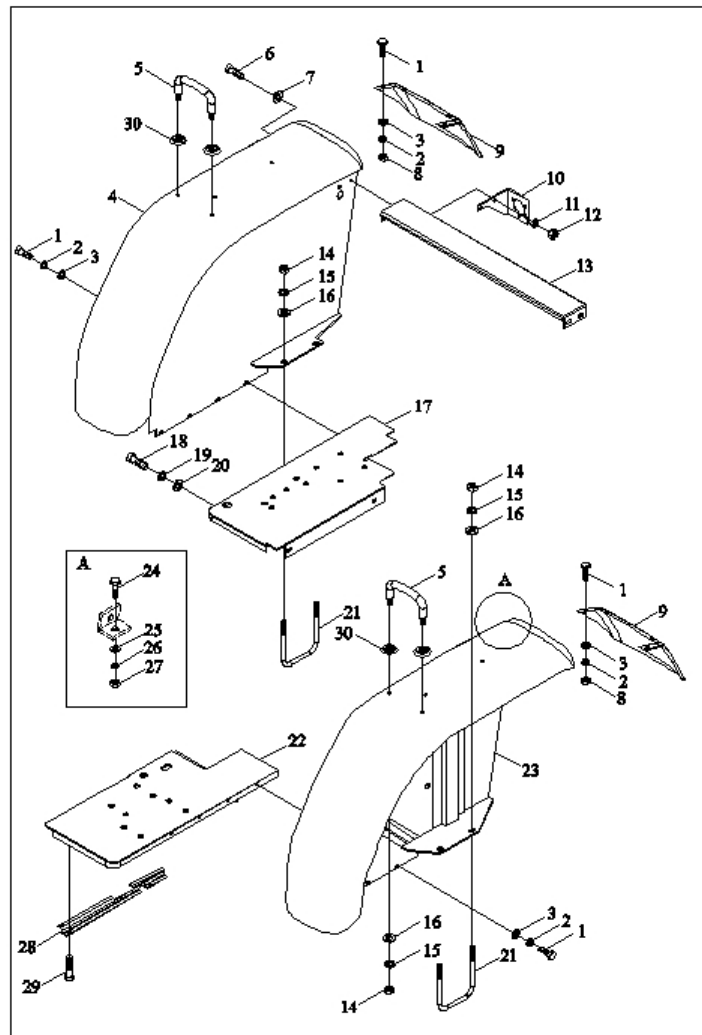
FT250.44B.001 座椅总成



FT250.44B.001 44-座椅总成 44-SEAT ASSEMBLY

标号 No.	代号 Code	名称 Description		数量 Quantity	备注 Remark
1	FT250.44B.010	座椅	SEAT	1	2011-11_
2	GBT5783-M8X25-Zn.D	六角头螺栓	BOLT;SOCKET;THROUGH	2	2004-01_
3	FT250.44B.144	座椅前支架	SEAT FRONT BRACKET	1	2011-11_
4	GBT97.1-8	垫圈	WAHSER	4	2011-11_
5	GBT93-8-Zn.D	标准型弹簧垫圈	PLAIN WASHER-LARGE SSRIE	4	2004-01_
6	GBT6170-M8-Zn.D	1型六角螺母	HEXAGON NUT, TYPE-1	2	2011-11_
7	GBT5783-M10X20-Zn.D	六角头螺栓	HEXAGON BOLT	2	2011-01_
8	GBT93-10-Zn.D	标准型弹簧垫圈	PLAIN WASHER-LARGE SSRIE	2	2011-11_
9	GBT5783-M8X20-Zn.D	六角头螺栓	BOLT;SOCKET;THROUGH	2	

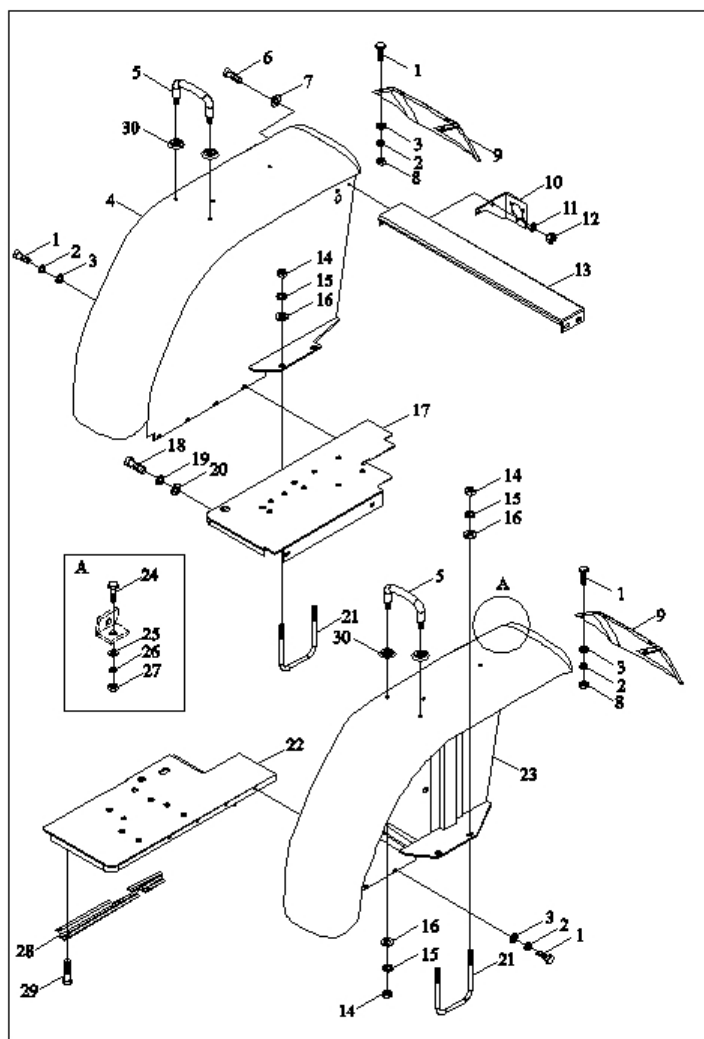
TE250.45U 地板总成



TE250.45U 45-地板总成 45-FLOOR ASSEMBLY

标号 No.	代号 Code	名称 Description		数量 Quantity	备注 Remark
1	GBT5783-M6x16-A2L	螺栓	BOLT	8	2012-05_
10	TE250.45A-02	插座固定板	SOCKET FIXING PLATE	1	2012-05_
11	GBT93-8-A0P	垫圈	WAHSER	4	2012-05_
12	GBT6170-M8-A2L	螺母	NUT	4	2012-05_
13	TE250.45A-01	加固板	STRENGTHEN PLATE	1	2012-05_
14	GBT6170-M12-A3L	螺母	NUT	12	2012-05_
15	GBT93-12-A0P	垫圈	WAHSER	12	2012-05_
16	GBT97.1-12-A0P	平垫圈	FLAT WASHER	12	2012-05_
17	TE250.45U.1	右地板焊合	RIGHT FLOOR WELDMENT	1	2012-05_
18	GBT5783-M10X25-A3L	螺栓	BOLT	4	2012-05_
19	GBT93-10-A0P	标准型弹簧垫圈	PLAIN WASHER-LARGE SSRIE	4	2012-05_
2	GBT93-6-A0P	垫圈	WAHSER	8	2012-05_
20	GBT97.1-10-A0P	平垫圈	FLAT WASHER	4	2012-05_
21	FT250.47.130	U型螺栓	U-BOLT	4	2012-05_
22	TE250.45A.1	左地板焊合	LEFT FLOOR WELDMENT	1	2012-05_
22	TE250.45A.1	左地板焊合	LEFT FLOOR WELDMENT	1	2012-05_
23	TE250.45A.3	左挡泥板焊合	LEFT MUD GUARD WELDMENT	1	2012-05_
24	GBT5783-M5X16-A2L	六角头螺栓	BOLT;SOCKET;THROUGH	8	2012-05_
25	GBT97.1-5-A0P	垫圈	WAHSER	8	2012-05_
26	GBT93-5-A0P	标准型弹簧垫圈	PLAIN WASHER-LARGE SSRIE	8	2012-05_
27	GBT6170-M5-A2L	1型六角螺母	HEXAGON NUT, TYPE-1	8	2012-05_
28	TE250.45F-01	线束固定板	HARNESS FIXING PLATE	1	2012-05_
29	GBT5783-M5X12-A2L	六角头螺栓	BOLT;SOCKET;THROUGH	2	2012-05_
3	GBT97.1-6-A0P	平垫圈	FLAT WASHER	8	2012-05_
30	TE250.45E.5	扶手垫圈合件	ARMREST WASHER UNIT	4	2012-05_

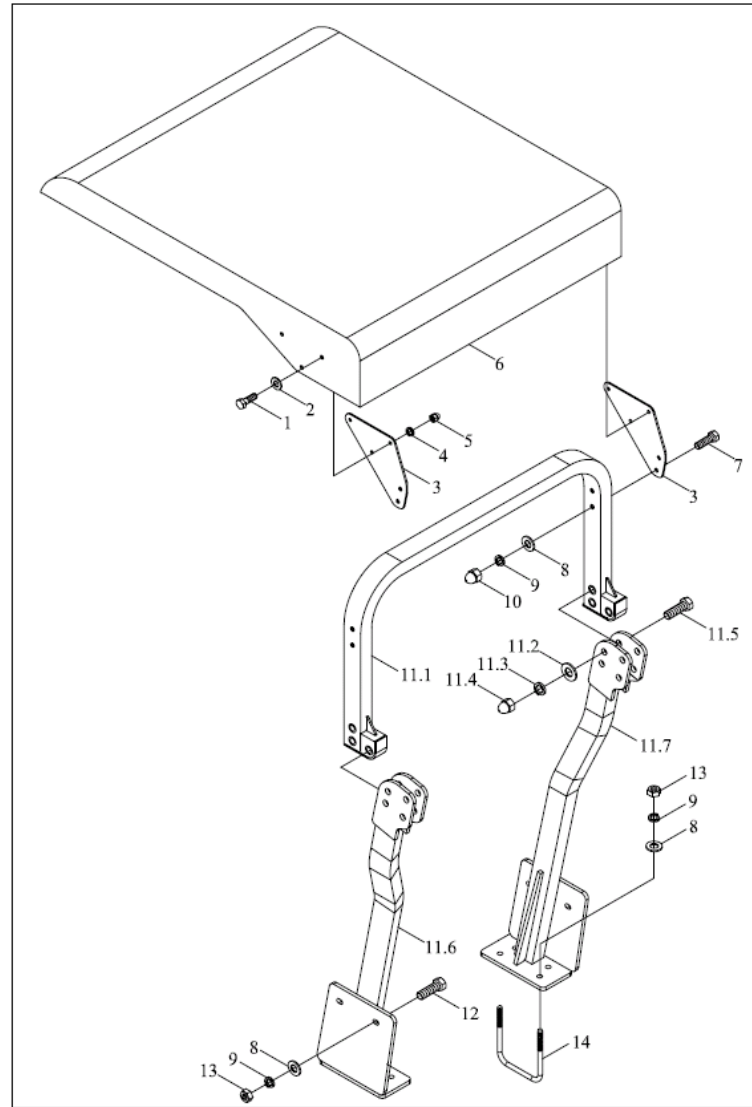
TE250.45U 地板总成



TE250.45U 45-地板总成(续)

标号 No.	代号 Code	名称 Description		数量 Quantity	备注 Remark
4	TE250.45A.4	右挡泥板焊接	RIGHT MUD GUARD WELDMENT	1	2012-05_
5	FT250.47.163	扶手	HANDRAIL	2	2012-05_
6	GBT5783-M8X20-A2L	螺栓	BOLT	4	2012-05_
7	GBT97.1-8-A0P	平垫圈	FLAT WASHER	4	2012-05_
8	GBT6170-M6-A2L	螺母	NUT	8	2012-05_
9	FT250.47G.303	挡泥板后件	MUDGUARD REAR PIECE	2	2012-05_

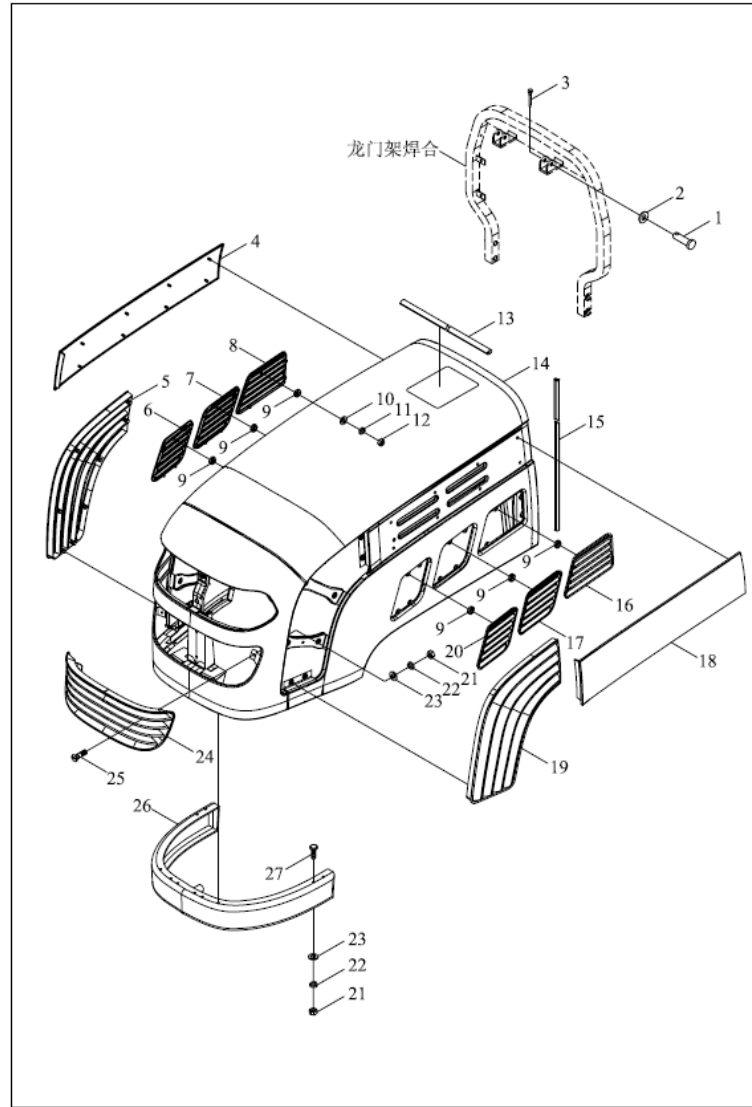
TE250.46B 安全架总成



TE250.46B 46-安全架总成 46-SAFETY FRAME ASSEMBLY

标号 No.	代号 Code	名称 Description		数量 Quantity	备注 Remark
1	GBT5783-M10X30-A3L	螺栓	BOLT	6	2011-11_
11	TE250.46B.1	支撑梁安装总成	SUPPORT BEAM INSTALLATION ASSEMBLY	1	2011-11_
11.1	FT250.46.011	上梁焊合	UPPER BEAM WELDMENT	1	2011-11_
11.2	GBT95-16-A0P	垫圈	WAHSER	6	2011-11_
11.3	GBT93-16-A0P	弹簧垫圈	SPRING WASHER	6	2011-11_
11.4	GBT802-M16	组合式盖形螺母	NUT	6	2011-11_
11.5	GBT5782-M16X80-A3L	六角头螺栓	BOLT;SOCKET;THROUGH	6	2011-11_
11.6	TE250.46B.1.2	左支撑梁焊合	LEFT SUPPORTING BEAM WELDMENT	1	2011-11_
11.7	TE250.46B.1.1	右支撑梁焊合	RIGHT SUPPORTING BEAM WELDMENT	1	2011-11_
12	GBT5783-M12X35-A3L	螺栓	BOLT	4	2011-11_
12	GBT5783-M12X35-A3L	螺栓	BOLT	4	2011-11_
13	GBT6170-M12-A3L	螺母	NUT	8	2011-11_
14	TE250.46B-01	U型螺栓	U-BOLT	2	2011-11_
15	TB400.46C-01	堵盖	PLUG COVER	8	2011-11_
2	FT400.46.021	垫圈合件	WASHER UNIT	6	2011-11_
3	FT250.46.106	遮阳棚固定板	SHADOW LOCKING PLATE	2	2011-11_
4	GBT93-10-A0P	标准型弹簧垫圈	PLAIN WASHER-LARGE SSRIE	6	2011-11_
5	GBT802-M10	组合式盖形螺母	NUT	6	2011-11_
6	FT300.46.012	遮阳棚总成	SHADOW ASSEMBLY	1	2011-11_
7	GBT5782-M12X70-A2L	六角头螺栓	BOLT;SOCKET;THROUGH	4	2011-11_
8	GBT95-12-A0P	垫圈12-A0P	WASHER	12	2011-11_
9	GBT93-12-A0P	垫圈	WAHSER	12	2011-11_

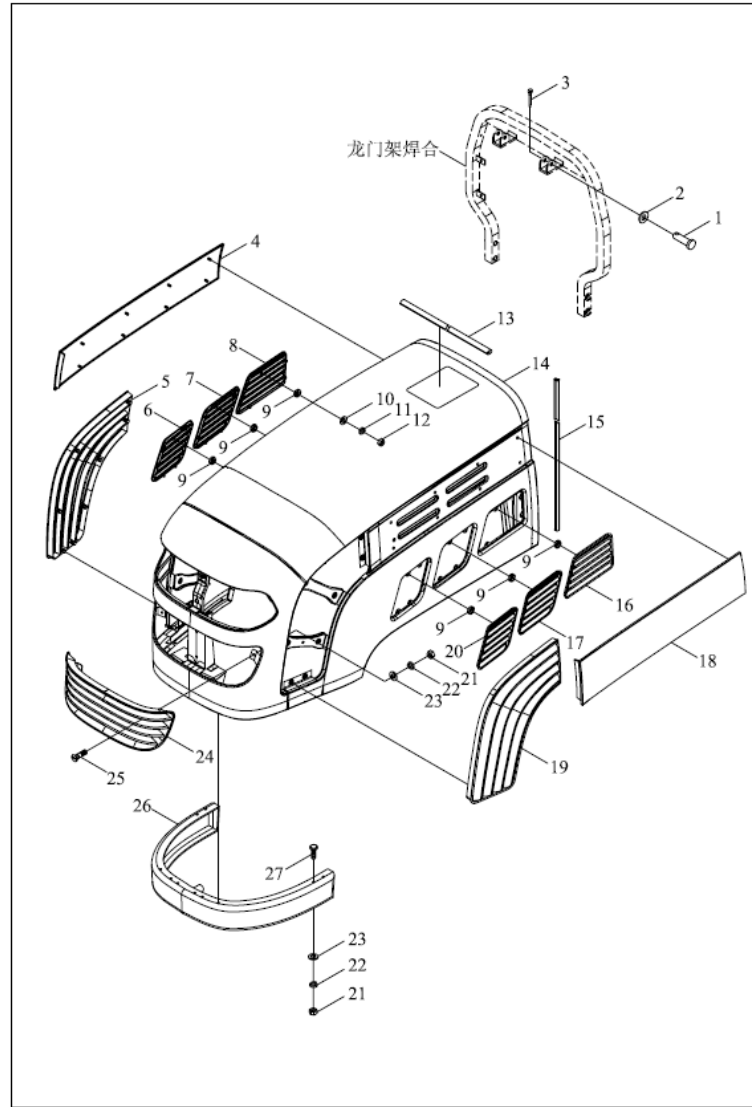
TE250.471D 机罩装配总成



TE250.471D 47.1-机罩装配总成 47.1-HOOD MOUNTING ASSEMBLY

标号 No.	代号 Code	名称 Description		数量 Quantity	备注 Remark
1	GBT882-B12X50-A0P	销轴	JOINT	2	2011-11_
10	GBT97.1-5-A0P	垫圈	WAHSER	56	2011-11_
11	GBT93-5-A0P	标准型弹簧垫圈	PLAIN WASHER-LARGE SSRIE	56	2011-11_
12	GBT6170-M5-A2L	1型六角螺母	HEXAGON NUT, TYPE-1	56	2011-11_
13	TE250.471D-01	减震橡胶条	SHOCK ABSORBER RUBBER STRIP	1	2011-11_
14	TE250.471D.1	机罩焊合	BONNET WELDMENT	1	2011-11_
15	FT250.47C.230	机罩密封条	BONNET SEAL STRIP	1	2011-11_
16	FT250B.47.310	左后下栅格	LEFT REAR LOWER GRID	1	2011-11_
17	FT250B.47.308	左中下栅格	LEFT MIDDLE LOWER GRID	1	2011-11_
18	FT250B.47.304	左后装饰板	LEFT REAR ADORN BOARD	1	2011-11_
19	FT250B.47.302	左前栅格	LEFT FRONT GRID	1	2011-11_
2	GBT97.1-12-A0P	平垫圈	FLAT WASHER	2	2011-11_
20	FT250B.47.306	左前下栅格	LEFT FRONT LOWER GRID	1	2011-11_
21	GBT6170-M6-A2L	螺母	NUT	13	2011-11_
22	GBT93-6-A0P	垫圈	WAHSER	12	2011-11_
23	GBT97.1-6-A0P	平垫圈	FLAT WASHER	12	2011-11_
24	FT250B.47.301	前脸栅格	FRONT GRID	1	2011-11_
25	GBT818-M6X16-A2L	十字槽盘头螺钉	CROSS SCREW	2	2011-11_
26	TE250B.47.2	机罩下围板焊接总成	BONNET LOW PLATE WELD ASSEMBLY	1	2011-11_
27	GBT5783-M6X20-A2L	螺栓	BOLT	10	2011-11_
3	GBT91-4X20-A0P	开口销	PIN	2	2011-11_
4	FT250B.47.305	右后装饰板	RIGHT REAR ADORN BOARD	1	2011-11_
5	FT250B.47.303	右前栅格	RIGHT FRONT GRID	1	2011-11_
6	FT250B.47.307	右前下栅格	RIGHT FRONT LOWER GRID	1	2011-11_
7	FT250B.47.309	右中下栅格	RIGHT MIDDLE LOWER GRID	1	2011-11_

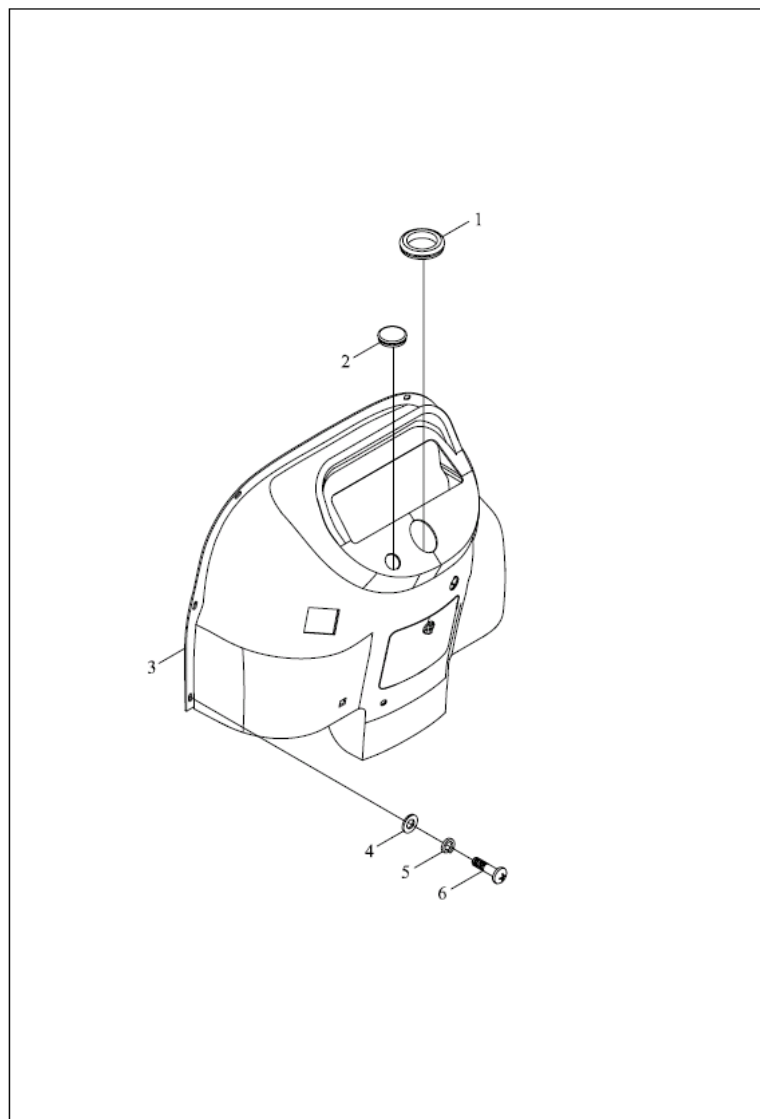
TE250.471D 机罩装配总成



TE250.471D 47.1-机罩装配总成(续)

标号 No.	代号 Code	名称 Description		数量 Quantity	备注 Remark
7	FT250B.47.309	右中下栅格	RIGHT MIDDLE LOWER GRID	1	2011-11_
8	FT250B.47.311	右后下栅格	RIGHT REAR LOWER GRID	1	2011-11_
9	TB400B.471-18	垫块	SPACER	24	2011-11_

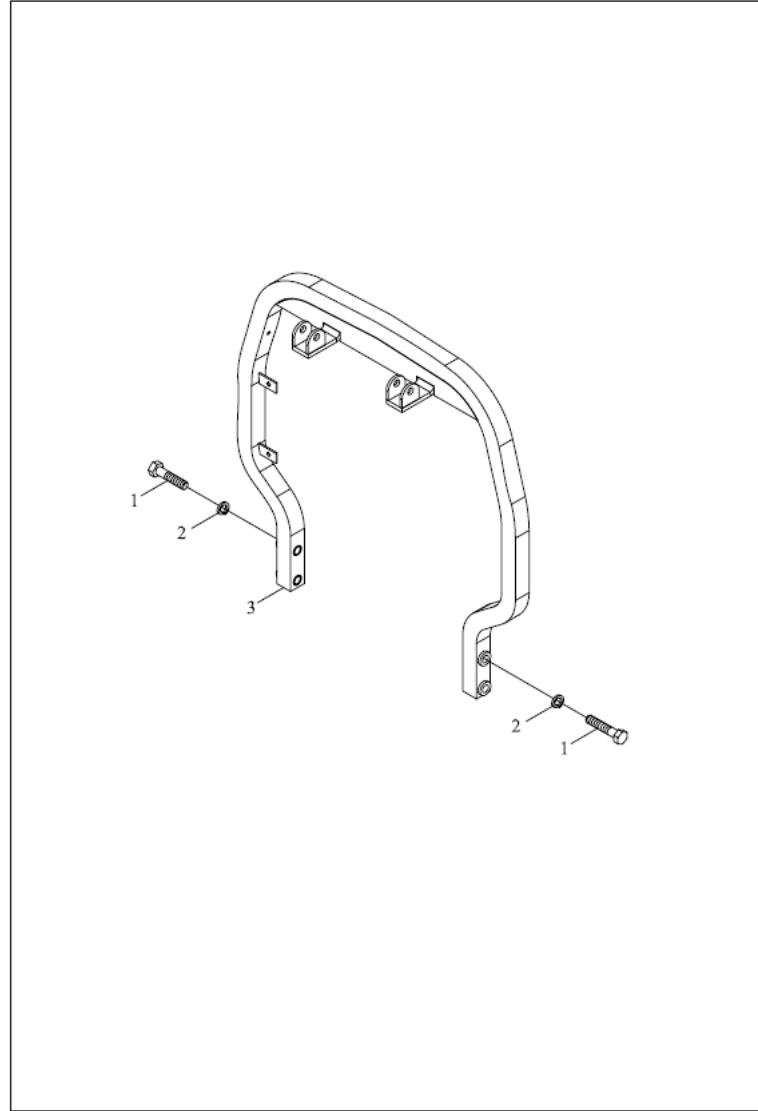
TE250.472 仪表台装配总成



TE250.472 47.2-仪表台装配总成 47.2-DASHBOARD INSTALLATION ASSEMBLY

标号 No.	代号 Code	名称 Description		数量 Quantity	备注 Remark
1	FT250.47.180	转向柱管支撑座	STEERING COLUMN SUPPORTING SEAT	1	2011-11_
1	FT250.47.180	转向柱管支撑座	STEERING COLUMN SUPPORTING SEAT	1	2011-11_
2	TE250B.47-05	堵盖	PLUG COVER	1	2011-11_
3	TE250.47C.1	仪表台总成	DASHBOARD ASSEMBLY	1	2011-11_
4	GBT97.1-5-A0P	垫圈	WAHSER	6	2011-11_
5	GBT93-5-A0P	标准型弹簧垫圈	PLAIN WASHER-LARGE SSRIE	6	2011-11_
6	GBT818-M5X10-A2L	十字槽盘头螺钉	CROSS SCREW	6	2011-11_

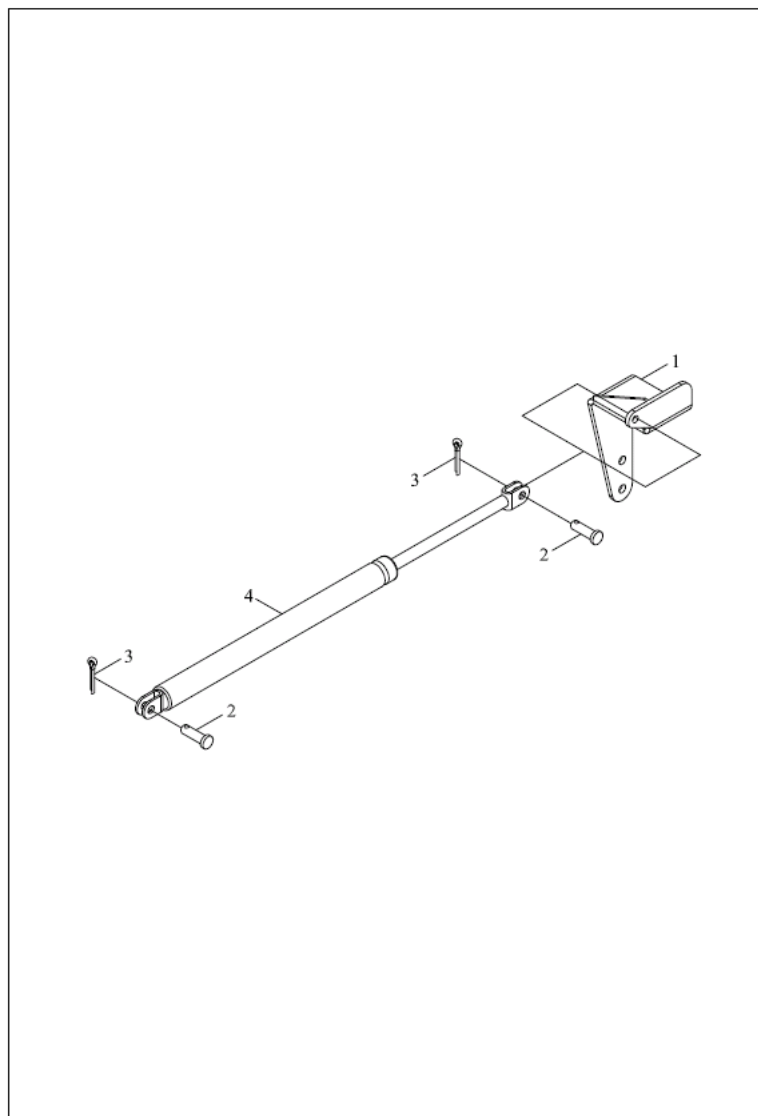
TE250.475A 龙门架安装总成



TE250.475A 47.5-龙门架安装总成 47.5-PORTAL FRAME INSTALLATION ASSEMBLY

标号 No.	代号 Code	名称 Description		数量 Quantity	备注 Remark
1	GBT5783-M14X60-A3L	六角头螺栓	BOLT;SOCKET;THROUGH	4	2011-11_
2	GBT93-14-A0P	弹簧垫圈	SPRING WASHER	4	2011-11_
2	GBT93-14-A0P	弹簧垫圈	SPRING WASHER	4	2011-11_
3	TE300.47.2	龙门架焊合	PORTAL FRAME WELDMENT	1	2011-11_

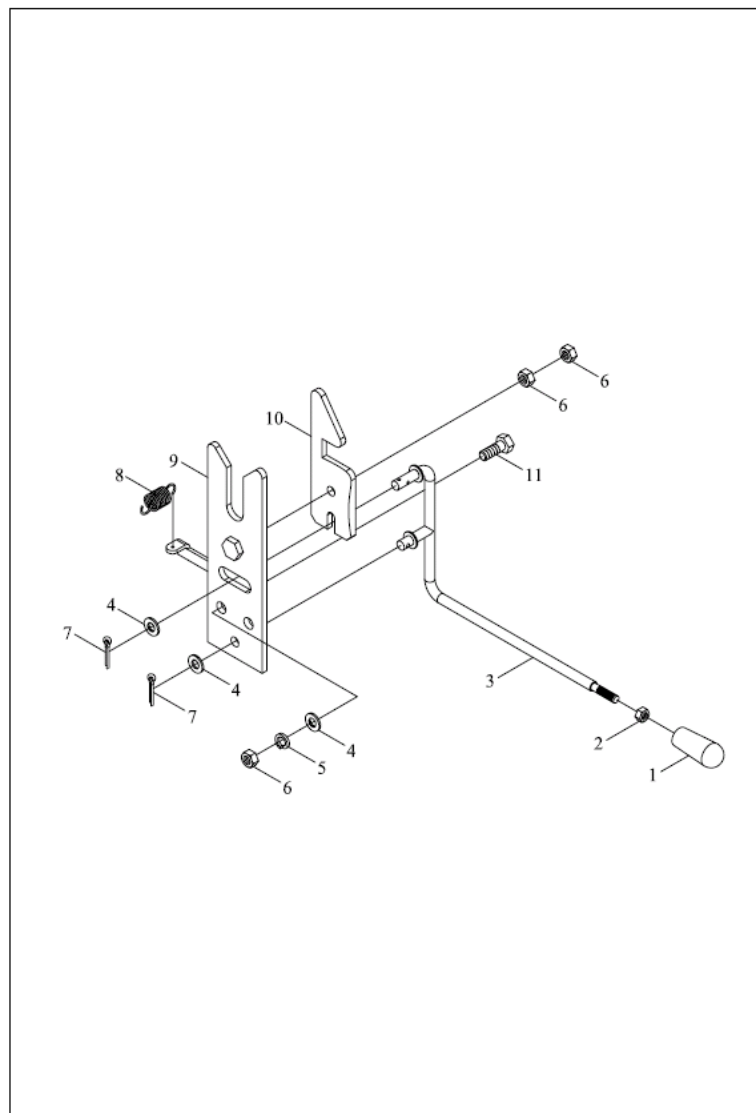
TE250.476 气弹簧安装总成



TE250.476 47.6-气弹簧安装总成 47.6-PNEUMATIC SPRING INSTALLATION ASSEMBLY

标号 No.	代号 Code	名称 Description		数量 Quantity	备注 Remark
1	TE250B.47.6	后支架焊合	REAR BRACKET WELDMENT	1	2011-11_
2	GBT882-B8X20-A0P	销轴	JOINT	2	2011-11_
3	GBT91-3.2X16-A0P	开口销	PIN	2	2011-11_
4	TE250B.47-03	机罩气弹簧	BONNET PNEUMATIC SPRING	1	2004-01_
4	TE250.476D-01	机罩气弹簧	BONNET PNEUMATIC SPRING	1	2011-03_

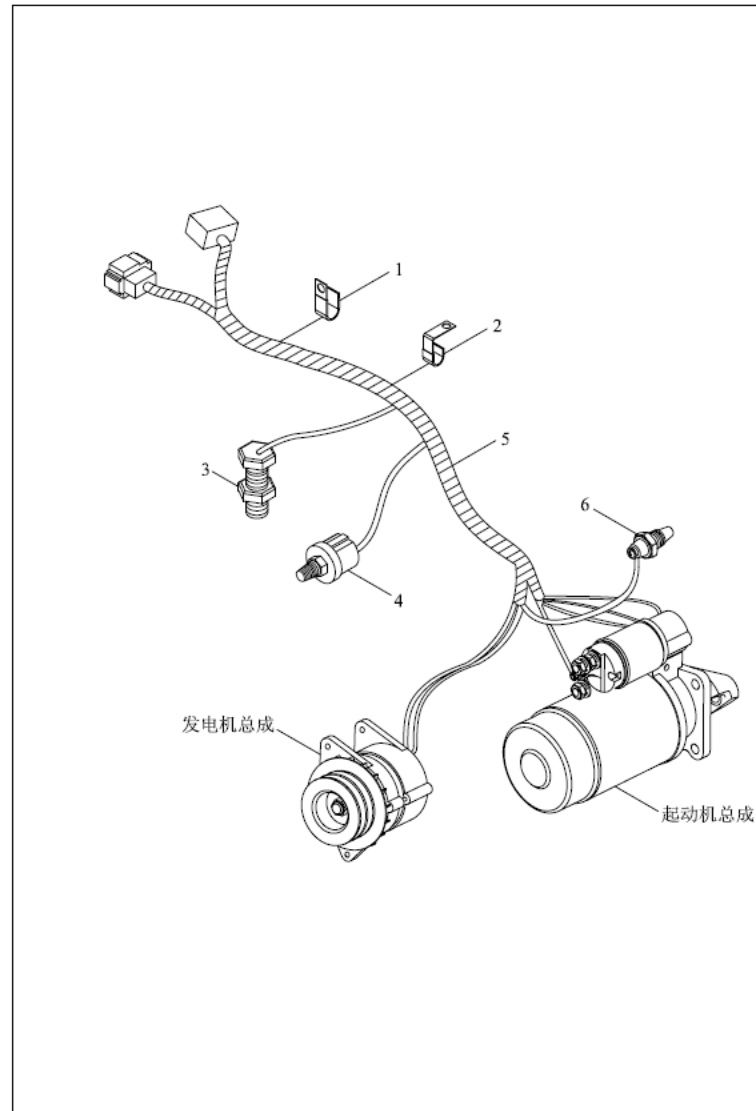
TE250.477 机罩锁装配总成



TE250.477 47.7-机罩锁装配总成 47.7-BONNET LOCK INSTALLATION ASSEMBLY

标号 No.	代号 Code	名称 Description		数量 Quantity	备注 Remark
1	TE250B.47.9	手柄总成	HANDLE ASSEMBLY	1	2011-11_
10	TE250B.47-01	锁板	LOCKING PLATE	1	2011-11_
11	GBT5783-M8X25-A2L	螺栓	BOLT	2	2011-11_
2	GBT6170-M6-A2L	螺母	NUT	1	2011-11_
3	TE250B.47.7	拉杆焊合	PULL ROD	1	2011-11_
4	GBT97.1-8-A0P	平垫圈	FLAT WASHER	4	2011-11_
5	GBT93-8-A0P	垫圈	WAHSER	2	2011-11_
6	GBT6170-M8-A2L	螺母	NUT	4	2011-11_
7	GBT91-3.2X16-A0P	开口销	PIN	2	2011-11_
8	FT200.21.106	分离轴承座回位弹簧	RETURN SPRING OF RELEASE BEARING SEAT	1	2011-11_
9	TE250B.47.5	限位板焊合	LIMITING PLATE WELDMENT	1	2011-11_

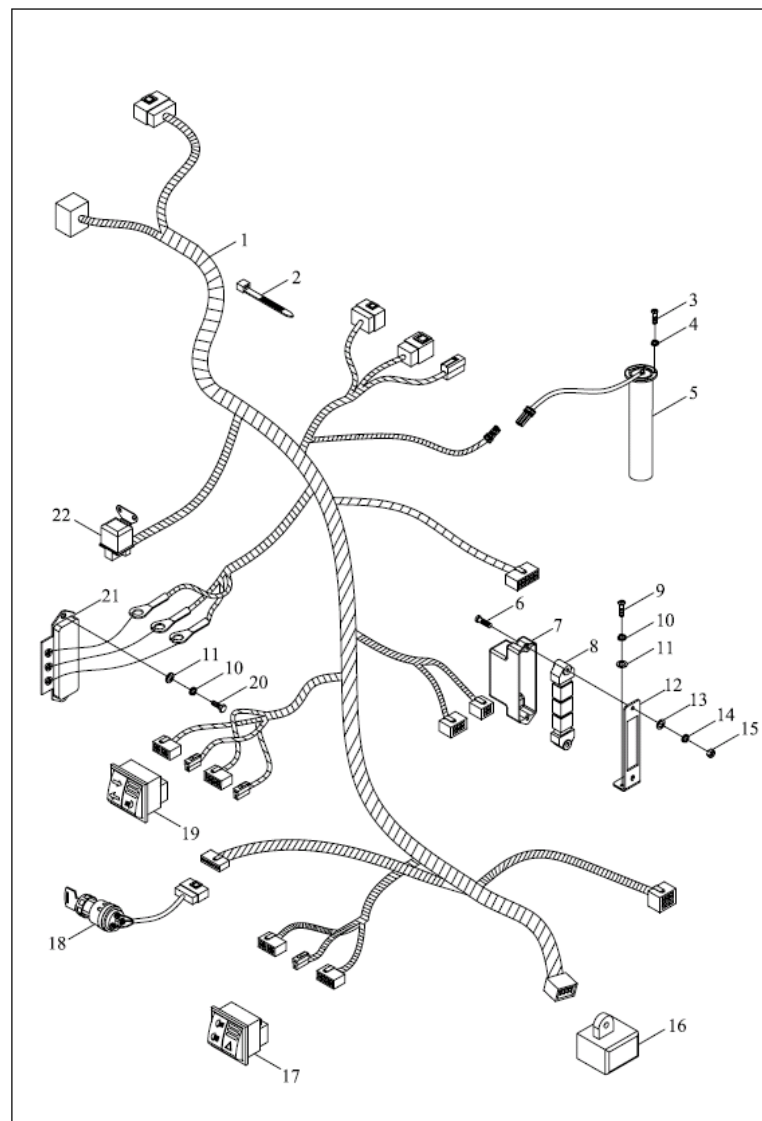
TE250.481 发动机线束安装总成



TE250.481 48.1-发动机线束安装总成 48.1-ENGINE HARNESS INSTALLATION ASSEMBLY

标号 No.	代号 Code	名称 Description		数量 Quantity	备注 Remark
1	FT304.48L.203	线束紧固夹	HARNESS TIGHTEN CLIP	1	2011-11_
2	FT300.48.105	线束紧固夹(3)	HARNESS FIXING CLAMP (3)	2	2011-11_
3	FT300.48.074	转速传感器	L.D. PRESSURE SENSOR	1	2011-11_
4	FT250.48.036	机油压力传感器	OIL PRESSURE SENSOR	1	2011-11_
5	TE250.481.1	发动机线束总成	ENGINE HARNESS ASSEMBLY	1	2011-11_
6	FT300.48.072	水温传感器	STARTER SWITCH	1	2004-01_
6	TE250.481.2	水温传感器	STARTER SWITCH	1	2009-05_

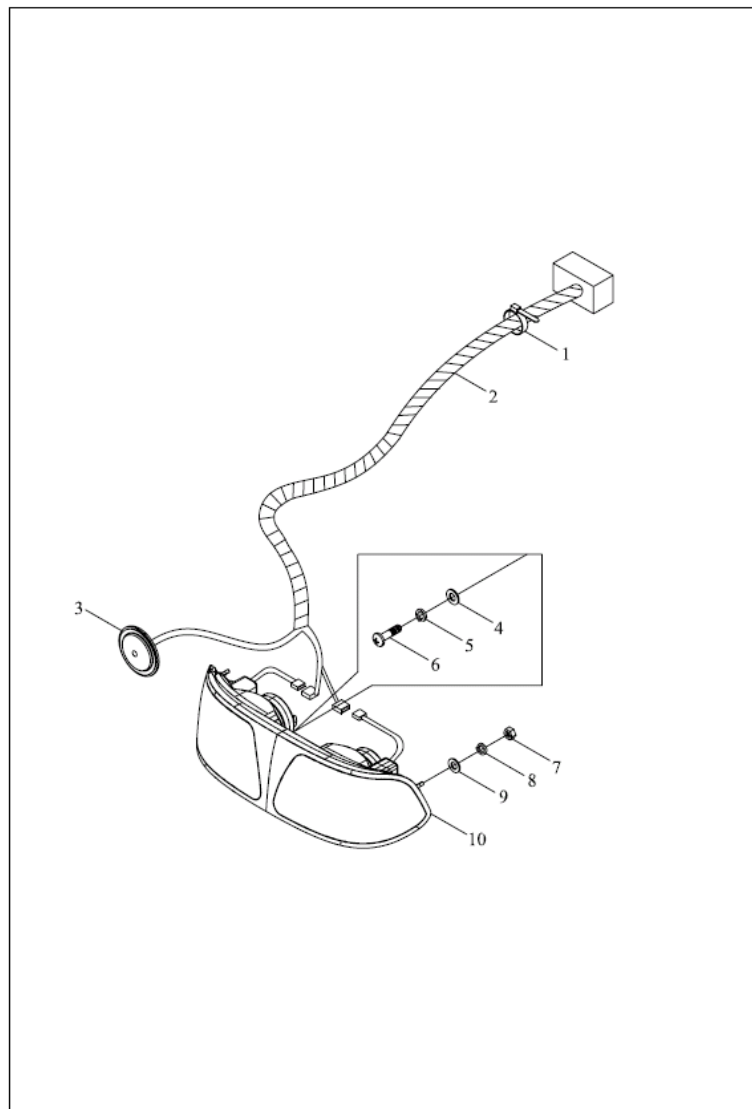
TE250.482G 车身线束安装总成



TE250.482G 48.2-车身线束安装总成 48.2-BODY HARNESS INSTALLATION ASSEMBLY

标号 No.	代号 Code	名称 Description		数量 Quantity	备注 Remark
1	TE250.482.1	车身线束总成	BODY HARNESS ASSEMBLY	1	2011-11_
10	GBT93-5-A0P	标准型弹簧垫圈	PLAIN WASHER-LARGE SSRIE	2	2011-11_
11	GBT97.1-5-A0P	垫圈	WAHSER	2	2011-11_
12	TE250.482A-01	继电器盒安装板	RELAY BOX INSTALLATION PLATE	1	2011-11_
13	GBT97.1-6-A0P	平垫圈	FLAT WASHER	3	2011-11_
14	GBT93-6-A0P	垫圈	WAHSER	3	2011-11_
15	GBT6170-M6-A2L	螺母	NUT	3	2011-11_
16	FT250.48E.042	保险丝盒总成	FUSE BOX ASSEMBLY	1	2011-11_
17	FT250.48E.039	右翘板开关	RIGHT ROCKER SWITCH	1	2011-11_
18	FT300.48.064	点火锁	IGNITION LOCK	1	2011-11_
19	FT250.48.038	左翘板开关	LEFT PADDLE SWITCH	1	2011-11_
2	Q67405100	塑料紧箍带	PLASTIC CLIP	2	2011-11_
20	GBT5783-M5X20-A2L	六角头螺栓	BOLT;SOCKET;THROUGH	2	2011-11_
21	JFT141	电压调节器	VOLTAGE ADJUSTER	1	2011-11_
22	FT300.48.055	启动继电器	RELAY	1	2011-11_
3	GBT818-M4X10-A2L	螺钉	SCREW	5	2011-11_
4	GBT93-4-A0P	标准型弹簧垫圈	PLAIN WASHER-LARGE SSRIE	5	2011-11_
5	TB400.484A.2	油量传感器	FULE LEVEL SENDING UNIT	1	2011-11_
7	TE250.482A-02	继电器盒盖	RELAY BOX COVER	1	2011-11_
8	TE250.482A.2	继电器盒总成	RELAY BOX ASSEMBLY	1	2011-11_
9	GBT818-M5X8-A2L	十字槽盘头螺钉	CROSS SCREW	2	2011-11_

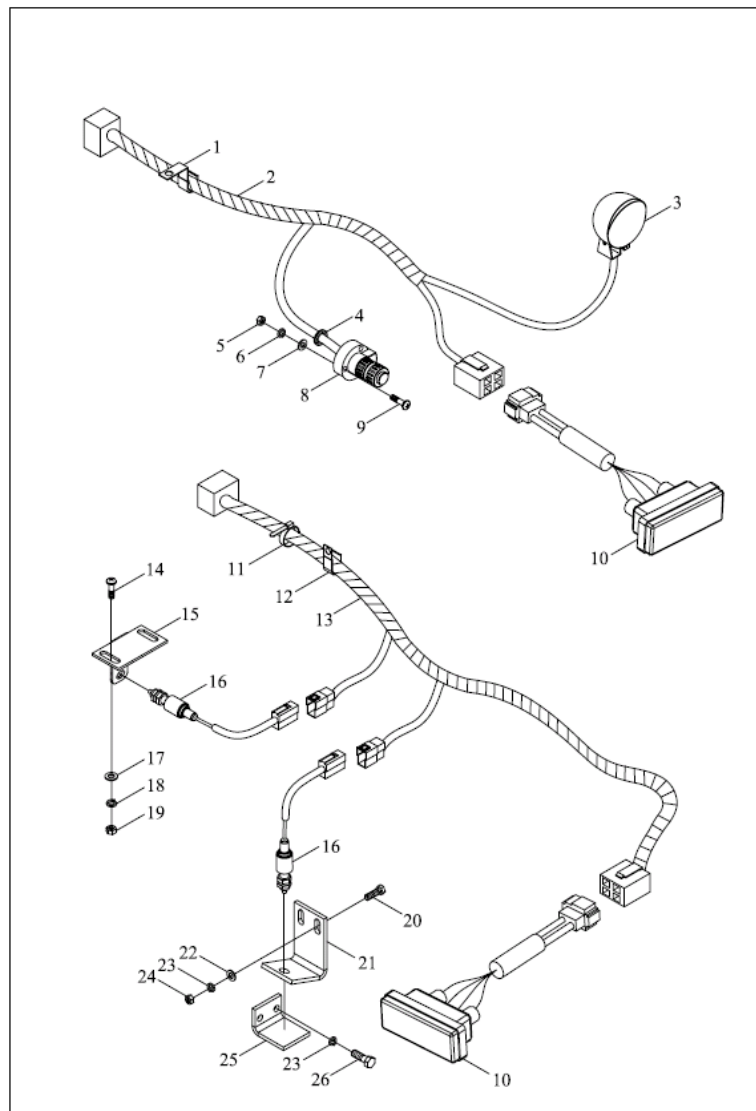
TE250.483 前灯线束安装总成



TE250.483 48.3-前灯线束安装总成 48.3-FRONT LAMP HARNESS INSTALLATION ASSEMBLY

标号 No.	代号 Code	名称 Description		数量 Quantity	备注 Remark
1	3724D01-201	可松式扎带	RELEASABLE TIE	1	2011-11_
10	FT250.48.045	前灯组合总成	FRONT LAMP COMBINATION ASSEMBLY	1	2004-01_
10	TE250.483.2	前灯组合总成	FRONT LAMP COMBINATION ASSEMBLY	1	2011-07_
10	TE250.483.2	前灯组合总成	FRONT LAMP COMBINATION ASSEMBLY	1	2011-07_
2	TE250.483.1a	前灯线束总成	FRONT LAMP HARNESS ASSEMBLY	1	2011-07_
2	TE250.483.1	前灯线束总成	FRONT LAMP HARNESS ASSEMBLY	1	2004-01_
3	FT65.48.340	电喇叭	ELECTRIC HORN	1	2011-11_
4	GBT97.1-8-A0P	平垫圈	FLAT WASHER	2	2011-11_
5	GBT93-8-A0P	垫圈	WAHSER	2	2011-11_
6	GBT818-M8X16-A2L	十字槽盘头螺钉	CROSS SCREW	2	2011-11_
7	GBT6170-M6-A2L	螺母	NUT	2	2011-11_
8	GBT93-6-A0P	垫圈	WAHSER	2	2011-11_
9	GBT96-6-A0P	垫圈6-A0P	WASHER	2	2011-11_

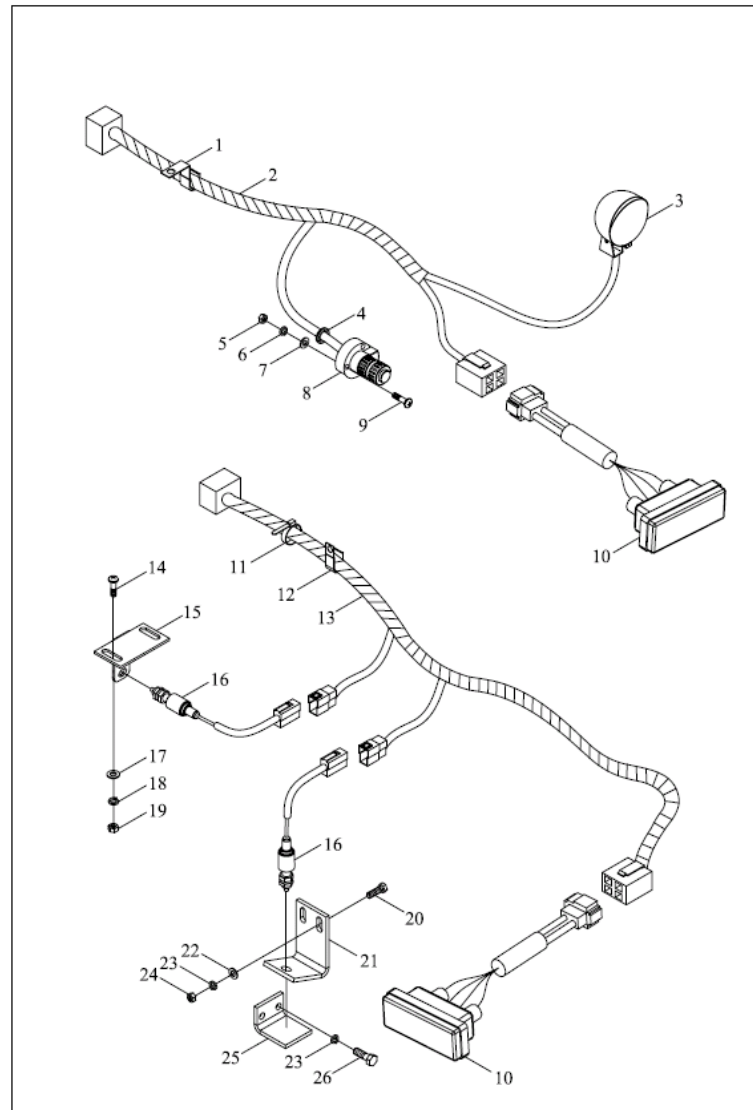
TE250.484D 后灯线束安装总成



TE250.484D 48.4-后灯线束安装总成 48.4-REAR LAMP HARNESS INSTALLATION ASSEMBLY

标号 No.	代号 Code	名称 Description		数量 Quantity	备注 Remark
1	FT250.48.101	线束紧固夹	HARNESS TIGHTEN CLIP	1	2011-11_
10	FT250.48.024	后尾灯总成	TAIL LAMP ASSEMBLY	2	2004-01_
10	TE250.484.4	后尾灯总成	TAIL LAMP ASSEMBLY	2	2008-08_
10	FT250.48.024	后尾灯总成	TAIL LAMP ASSEMBLY	2	2004-01_
11	3724D01-201	可松式扎带	RELEASABLE TIE	1	2011-11_
12	FT65.48.095	线束紧固夹(一)	HARNESS TIGHTEN CLIP (1)	3	2011-11_
13	TE250.484B.2	左后灯线束总成	LEFT REAR LAMP HARNESS ASSEMBLY	1	2011-11_
14	GBT68-M8X20-A2L	开槽沉头螺钉	SLOTTED COUNTERSUNK HEAD SCREW	2	2011-11_
15	FT250.48.134	刹车开关固定架	BRAKE SWITCH FIXING BRACKET	1	2011-11_
16	FT300.48.033	制动灯开关	BRAKE LIGHT SWITCH	2	2011-11_
17	GBT97.1-8-A0P	平垫圈	FLAT WASHER	2	2011-11_
18	GBT93-8-A0P	垫圈	WAHSER	2	2011-11_
19	GBT6170-M8-A2L	螺母	NUT	2	2011-11_
2	TE250.484.1	右后灯线束总成	RIGHT REAR LAMP HARNESS ASSEMBLY	1	2011-11_
2	TE250.484.1	右后灯线束总成	RIGHT REAR LAMP HARNESS ASSEMBLY	1	2011-11_
20	GBT5783-M6X20-A2L	螺栓	BOLT	2	2011-11_
21	FT250.48F.135	安全启动开关安装板	MOUNTING PLATE OF SAFE START SWITCH	1	2011-11_
22	GBT97.1-6-A0P	平垫圈	FLAT WASHER	2	2011-11_
23	GBT93-6-A0P	垫圈	WAHSER	4	2011-11_
24	GBT6170-M6-A2L	螺母	NUT	2	2011-11_
25	FT250.48F.136	挡板	RETAINER PLATE	1	2011-11_
26	GBT5783-M6X12-A2L	六角头螺栓	BOLT;SOCKET;THROUGH	2	2011-11_
3	FT250.48.025	后工作灯总成	REAR WORKING LIGHT ASSEMBLY	1	2011-11_
4	FT65.48.101	穿线胶圈(四)	THROUGH HARNESS WASHER (4)	1	2004-01_
4	FT65.48.093	穿线胶圈(一)	RUBBER RING (ONE)	1	2008-11_

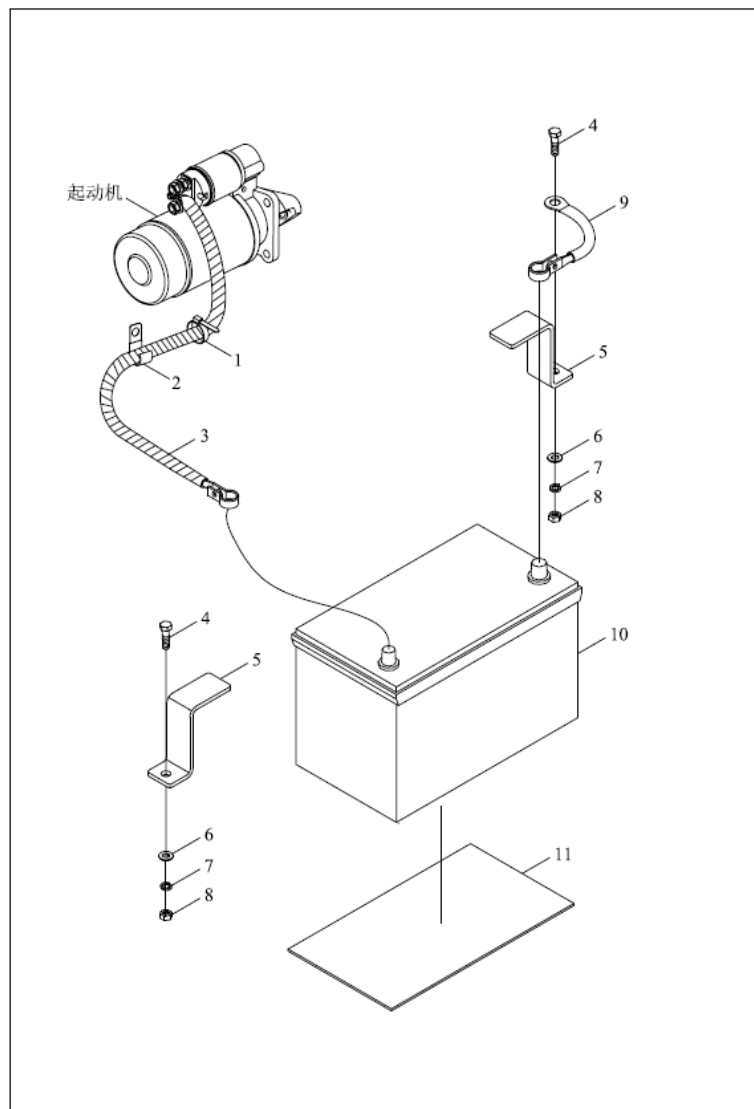
TE250.484D 后灯线束安装总成



TE250.484D 48.4-后灯线束安装总成(续)

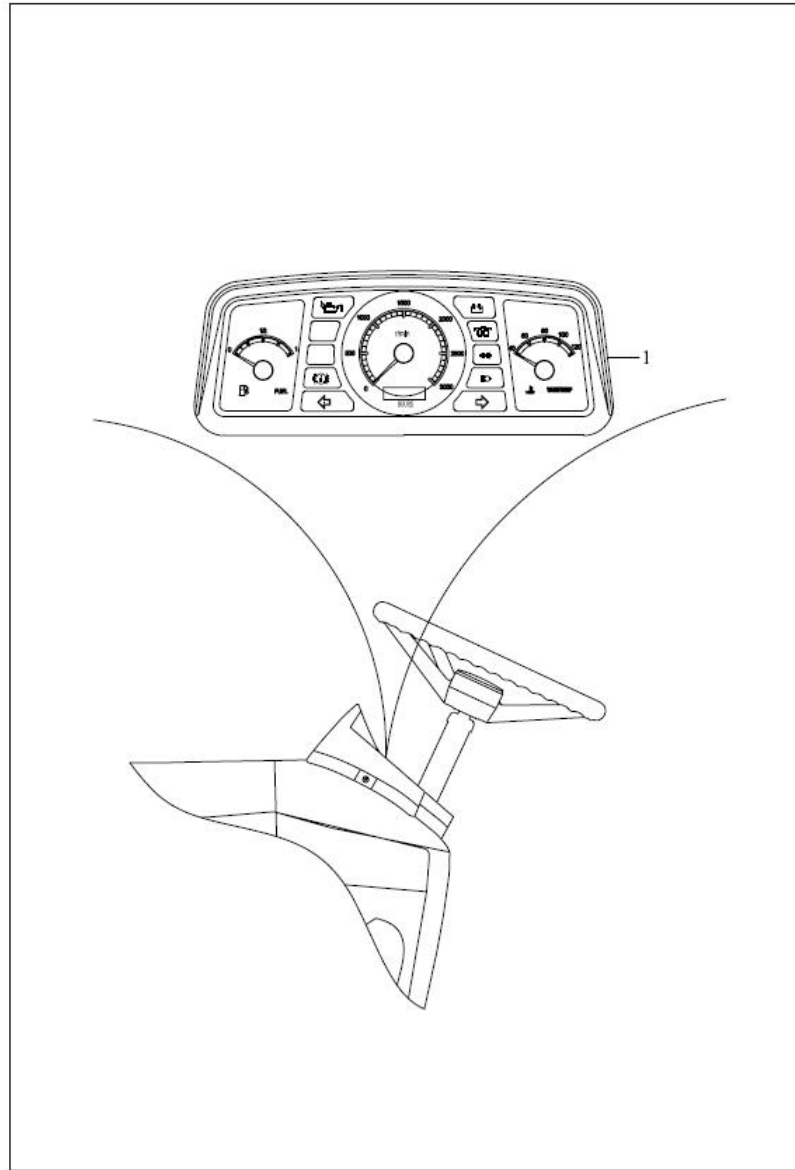
标号 No.	代号 Code	名称 Description		数量 Quantity	备注 Remark
5	GBT6170-M5-A2L	1型六角螺母	HEXAGON NUT, TYPE-1	3	2011-11_
6	GBT93-5-A0P	标准型弹簧垫圈	PLAIN WASHER-LARGE SSRIE	3	2011-11_
7	GBT97.1-5-A0P	垫圈	WAHSER	3	2011-11_
8	FT65.48.080	后挂车插座	REAR TRAILER SOCKET	1	2011-11_
9	GBT818-M5X35-A1L	十字槽盘头螺钉	CROSS SCREW	3	2011-11_

TE250.485C 蓄电池安装总成



TE250.485C 48.5-蓄电池安装总成 48.5-BATTERY INSTALLATION ASSEMBLY

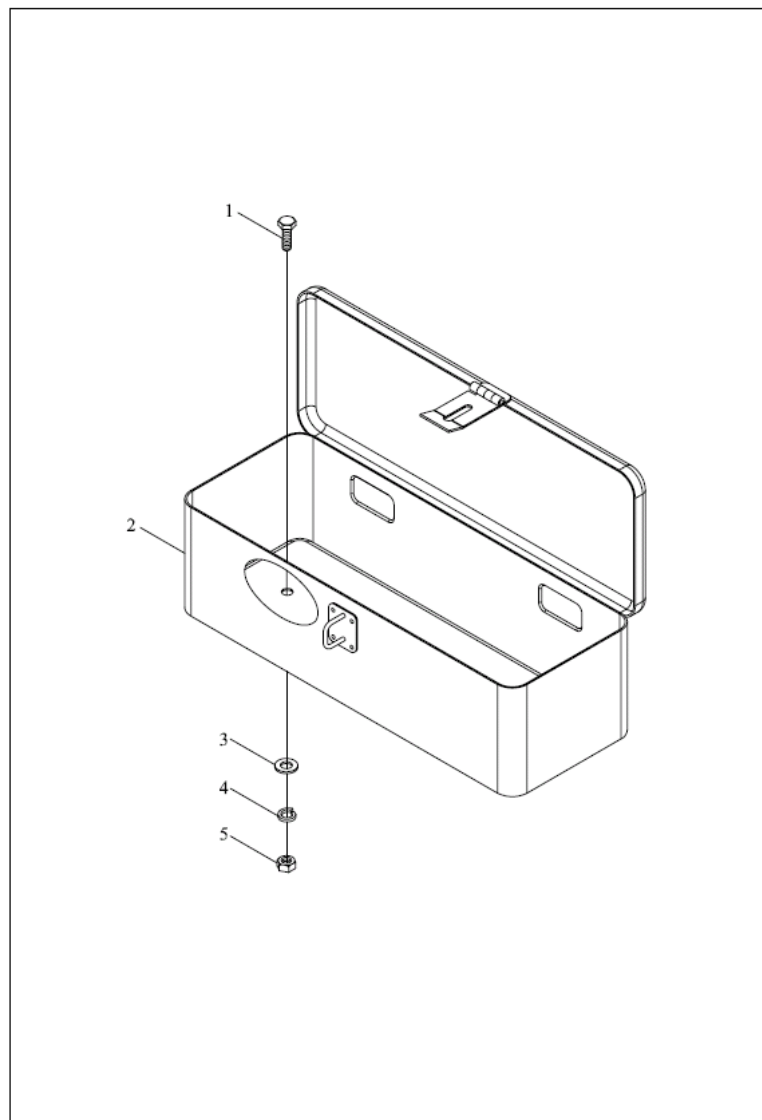
标号 No.	代号 Code	名称 Description		数量 Quantity	备注 Remark
1	Q67405200	塑料紧箍带	PLASTIC CLIP	1	2011-11_
10	TE250.24B.1L	蓄电池	BATTERY	1	2011-11_
11	FT250.24B.103	橡胶皮	RUBBER SKIN	1	2011-11_
2	FT65.48.095	线束紧固夹(一)	HARNESS TIGHTEN CLIP (1)	1	2011-11_
3	FT250.48.027	蓄电池正极电缆总成	BATTERY POSITIVE CABLE ASSEMBLY	1	2011-11_
4	GBT5783-M8X25-A2L	螺栓	BOLT	2	2011-11_
5	TE250.485A-01	压板	PRESSURE PLATE	2	2011-11_
6	GBT97.1-8-A0P	平垫圈	FLAT WASHER	2	2011-11_
7	GBT93-8-A0P	垫圈	WAHSER	2	2011-11_
8	GBT6170-M8-A2L	螺母	NUT	2	2011-11_
9	TE300.485.3	蓄电池负极电缆总成	BATTERY CATHODE CABLE ASSEMBLY	1	2011-11_



TE250.487ZC 48.7-组合仪表总成 48.7-COMBINED INSTRUMENT ASSEMBLY

标号 No.	代号 Code	名称 Description		数量 Quantity	备注 Remark
1	TE250.487	组合仪表总成	COMBINED INSTRUMENT ASSEMBLY	1	
1	TE250.487	组合仪表总成	COMBINED INSTRUMENT ASSEMBLY	1	

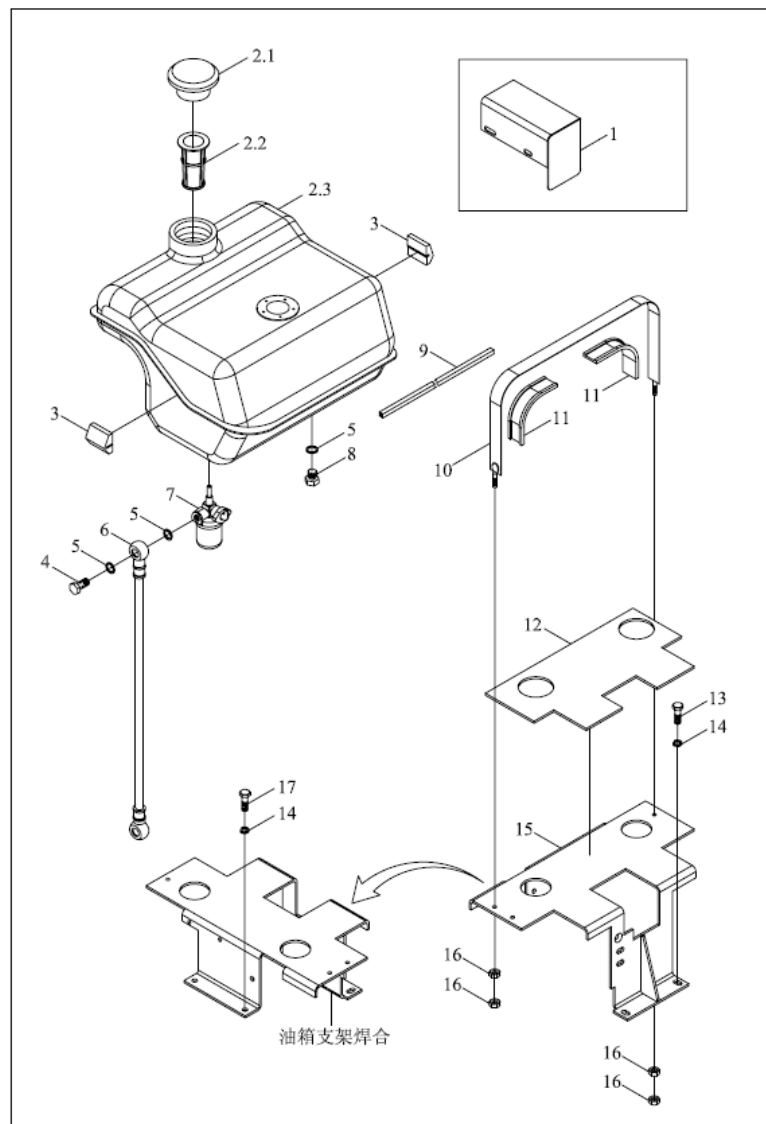
FT250.49.001 工具箱安装总成



FT250.49.001 49-工具箱安装总成 49-TOOL BOX INSTALLATION ASSEMBLY

标号 No.	代号 Code	名称 Description		数量 Quantity	备注 Remark
1	GBT5781-M8X20-Zn.D	六角头螺栓	BOLT;SOCKET;THROUGH	2	2011-11_
2	FT250.49.010	工具箱总成	TOOL BOX ASSEMBLY	1	2011-11_
3	GBT97.1-8	垫圈	WAHSER	2	2011-11_
4	GBT93-8-Zn.D	标准型弹簧垫圈	PLAIN WASHER-LARGE SSRIE	2	2004-01_
5	GBT6170-M8-Zn.D	1型六角螺母	HEXAGON NUT, TYPE-1	2	2011-11_

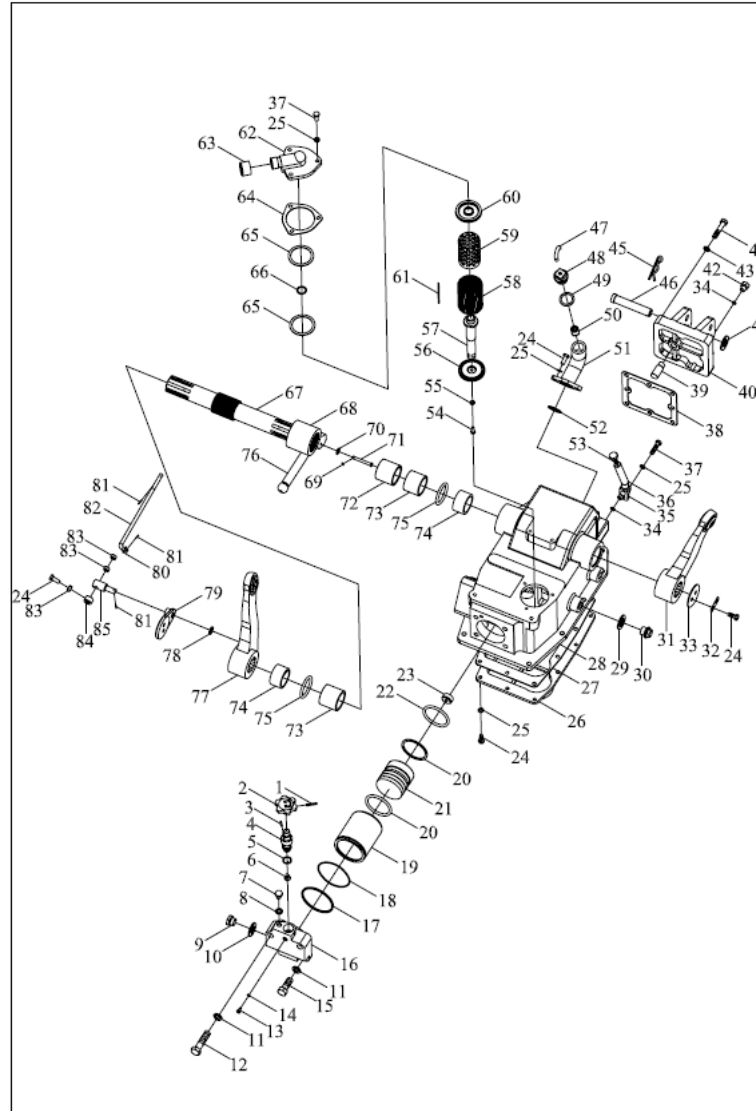
TE300.50E 燃油箱总成



TE300.50E 50-燃油箱总成 50-FUEL OIL TANK ASSEMBLY

标号 No.	代号 Code	名称 Description		数量 Quantity	备注 Remark
1	TE300.50.5	隔热板焊合	HEAT INSULATION BOARD WELDMENT	1	2011-11_
1	TE300.50.5	隔热板焊合	HEAT INSULATION BOARD WELDMENT	1	2011-11_
10	TE300.50.4	钢带焊合件	STEEL BAND WELDMENT	1	2011-11_
10	TE300.50.4	钢带焊合件	STEEL BAND WELDMENT	1	2011-11_
11	FT65.50.209	油箱上胶条	UPPER RUBBER STRIP OF OIL TANK	2	2009-04_
11	FT250.50.102	钢带胶垫	STEEL BAND RUBBER WASHER	2	2004-01_
12	TE300.50-02	油箱胶垫	OIL TANK RUBBER WASHER	1	2011-11_
13	GBT5783-M10X25-A3L	螺栓	BOLT	2	2011-11_
14	GBT93-10-A0P	标准型弹簧垫圈	PLAIN WASHER-LARGE SSRIE	4	2011-11_
15	TE300.50.2	油箱支架焊合	OIL TANK BRACKET WELDMENT	1	2011-11_
16	GBT6170-M10-A3L	螺母	NUT	4	2011-11_
17	GBT5783-M10X20-A3L	螺栓	BOLT	2	2011-11_
2	TE300.50E.1	油箱总成	OIL TANK ASSEMBLY	1	2011-11_
2.1	TD800.501A.1.1	油箱盖	OIL TANK COVER	1	2011-11_
2.2	FT250.50.015a	滤网总成	FILTER MESH ASSEMBLY	1	2011-11_
2.3	TE300.50E.1.1	油箱焊合	OIL TANK WELDMENT	1	2011-11_
3	FT300.50.112	橡胶垫块	RUBBER PAD BLOCK	2	2011-11_
4	FT65.50.106	空心螺栓	HOLLOW BOLT	1	2011-11_
5	JBT982-14	组合密封垫圈	COMBINED SEAL GASKET	3	2011-11_
5	JBT982-14	组合密封垫圈	COMBINED SEAL GASKET	3	2011-11_
6	FT250.50.023	输油管总成	OIL CONVEYING PIPE ASSEMBLY	1	2011-11_
7	TE300.50A.3	沉淀杯总成	SEDIMENT CUP ASSEMBLY	1	2011-11_
8	FT250.50.107	放油塞	OIL DISCHARGING PLUG	1	2011-11_
9	FT300.45.809	顶盖压条	UPPER COVER PRESS STRIP	1	2011-11_

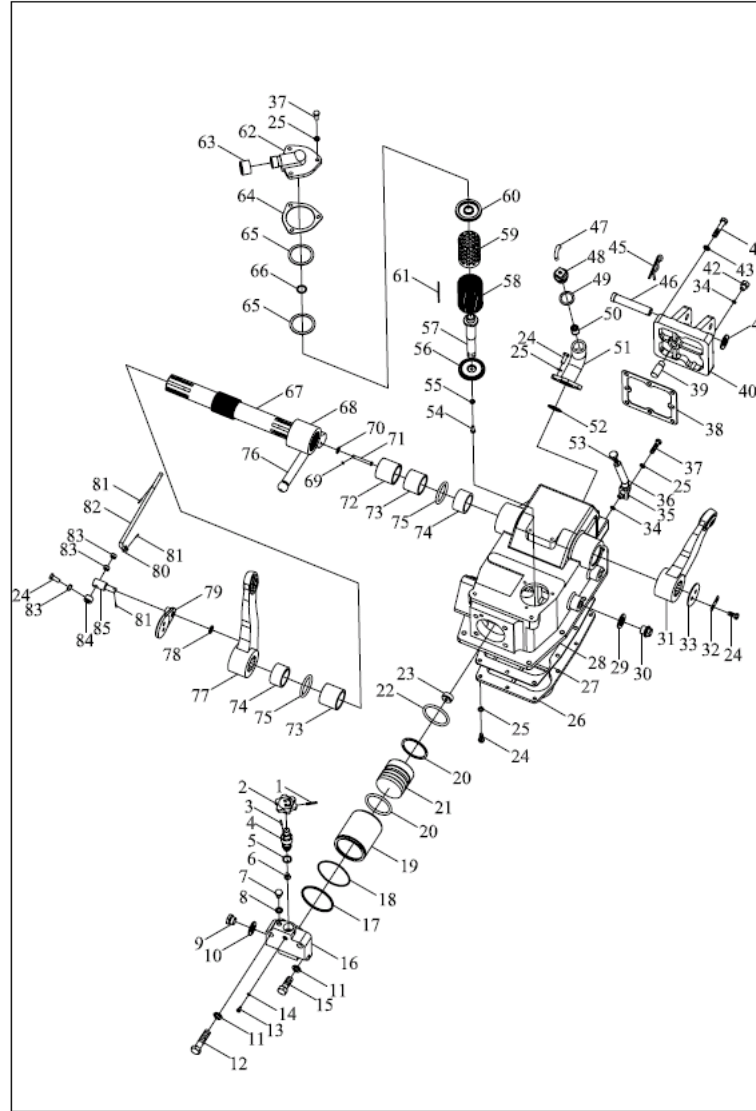
TE250.55 提升器装配总成-1



TE250.55-1 55提升器装配总成-1 55RAISER MOUNTING ASSEMBLY-1

标号 No.	代号 Code	名称 Description		数量 Quantity	备注 Remark
0	TE250.54.013	吸油滤清器总成	OIL SUCTION FILTER ASSEMBLY	1	2011-11_
0	TE250.55.010	缸头总成	CYLINDER HEAD ASSEMBLY	1	2011-11_
0	TE250.55.2a	呼吸器总成	BREATH ASSEMBLY	1	2011-03_
0	TE250.55.2	呼吸器总成	BREATH ASSEMBLY	1	
0	TE250.55.1a	提升器装配总成	LIFTER INSTALLATION ASSEMBLY	1	2011-11_
1	GBT829-4X20	螺钉	SCREW	1	2011-11_
1	GBT829-4X20	螺钉	SCREW	1	2011-11_
10	JBT982-18	组合密封垫圈	COMBINED SEAL GASKET	1	2011-11_
10	JBT982-18	组合密封垫圈	COMBINED SEAL GASKET	1	2011-11_
11	GBT93-14	垫圈	WAHSER	4	2011-11_
11	GBT93-14	垫圈	WAHSER	4	2011-11_
12	GBT5782-M14X60-A3L	六角头螺栓	BOLT;SOCKET;THROUGH	2	2004-01_
13	GBT828-M5X6X4	开槽盘头定位螺钉	SLOTTED PAN HEAD SET SETSCREWS WITH	1	2011-11_
14	GBT97.1-5	垫圈	DOG POINT	1	2011-11_
15	YT18.55.152	六角螺栓	WAHSER HEX BOLT	2	2011-11_
16	TE250.55.126	缸头		1	2011-11_
17	TE250.55.112	O形密封圈	CYLINDER HEAD	1	2011-11_
18	TE250.55.200	矩形轴用挡圈	O-SEAL RING	1	2011-11_
19	TE250.55.102	缸筒	RECTANGULAR RETAINER RING FOR SHAFT	1	2011-11_
2	FT65.55.140	手轮	CYLINDER TUBE HANDLE WHEEL	1	2011-11_
20	GBT3452.1-60X5.3	液压气动用O形橡胶密封圈		2	2011-11_
21	220-1.55.130	活塞	O-SEAL RING	1	2011-11_
22	220-1.55.161	挡圈	PISTON	1	2011-11_
23	25.55.207	活塞球座	RETAINER RING	1	2011-11_
24	GBT5783-M8X20	螺栓	PISTON BALL SEAT	17	2011-11_

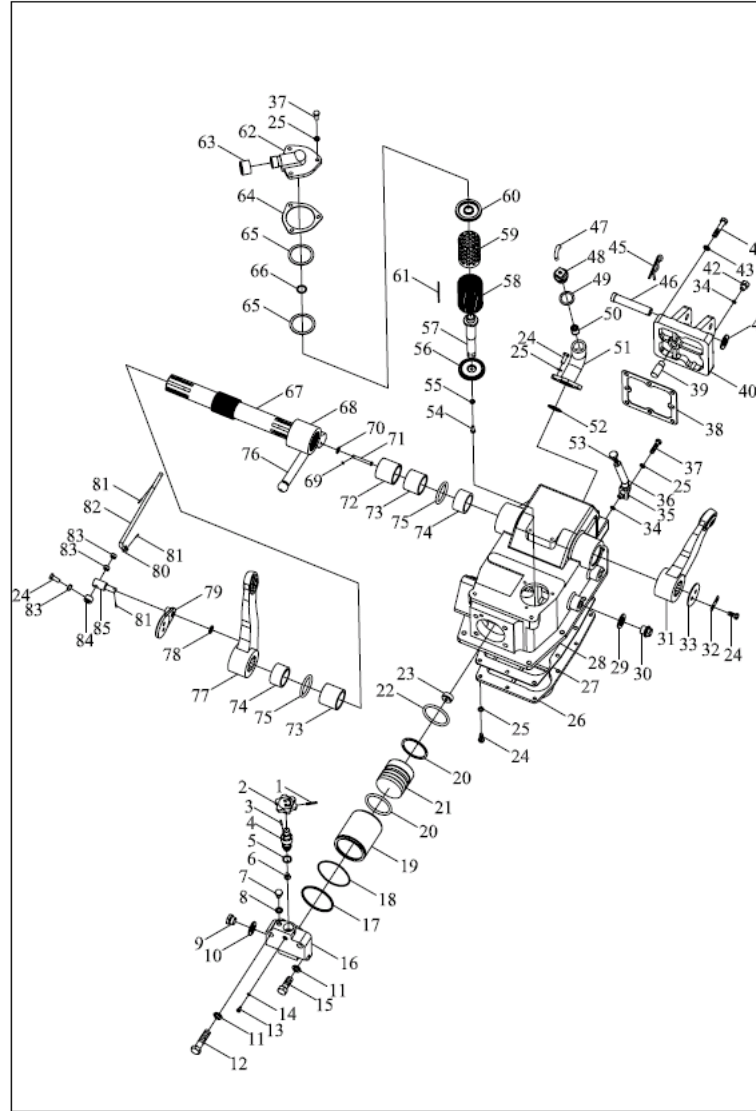
TE250.55 提升器装配总成-1



TE250.55-1 55提升器装配总成-1(续)

标号 No.	代号 Code	名称 Description		数量 Quantity	备注 Remark
24	GBT5783-M8X20	螺栓	BOLT	17	2011-11_
25	GBT93-8	垫圈8	WASHER 8	16	2011-11_
26	TE250.55.115-1	提升器壳体底板	LIFTER HOUSING BOTTOM PLATE	1	2011-11_
27	TE250.55.116-1	底板纸垫	BOTTOM PLATE PAPER GASKET	1	2011-11_
28	TE250.55.101	提升器壳体	LIFTER HOUSING	1	2011-11_
29	JB982-20	组合垫圈	COMBINATION GASKET	2	2011-11_
3	300.55.138	销	PLAIN WASHER-LARGE SSRIE	1	2011-11_
30	TE250.55.108	放油螺塞	PLUG,DRAIN	2	2011-11_
31	TE250.55.014	左提升臂总成	LEFT LIFTING ARM ASSEMBLY	1	2011-11_
32	18.55.111	止动垫片	THRUST WASHER	1	2011-11_
33	TE250.55.109	提升轴压板	LIFTING SHAFT PRESSURE PLATE	1	2011-11_
34	GBT1234-12X1.9	O形密封圈	O-SEAL RING	2	2011-11_
35	TE250.55.103	油管接头	OIL PIPE JOINT--S.A.	1	2011-11_
35	TE250.55.103	油管接头	OIL PIPE JOINT--S.A.	1	2011-11_
36	TE250.55.012	油尺管焊合	OIL DIPSTICK PIPE WELDMENT	1	2011-11_
37	GBT5783-M8X25	螺栓	BOLT	4	2011-11_
38	TE250.55.159	后端盖纸垫	REAR END COVER PAPER GASKET	1	2011-11_
39	18.55.141	限位销	LIMITING PIN	1	2011-11_
4	FT250.55.128A	调节阀杆	ADJUSTING VALVE ROD	1	2011-11_
40	TE250.55.015	后端盖总成	REAR END COVER ASSEMBLY	1	2011-11_
41	GBT97.1-20	垫圈	WAHSER	1	2011-11_
42	18.55.108	放油塞	OIL DISCHARGING PLUG	1	2011-11_
43	GBT93-10	垫圈10	WASHER 10	8	2011-11_
44	GBT5782-M10X45	六角头螺栓	BOLT;SOCKET;THROUGH	8	2011-11_
45	150.31.105	弹簧锁销	SPRING LOCK PIN	1	2011-11_

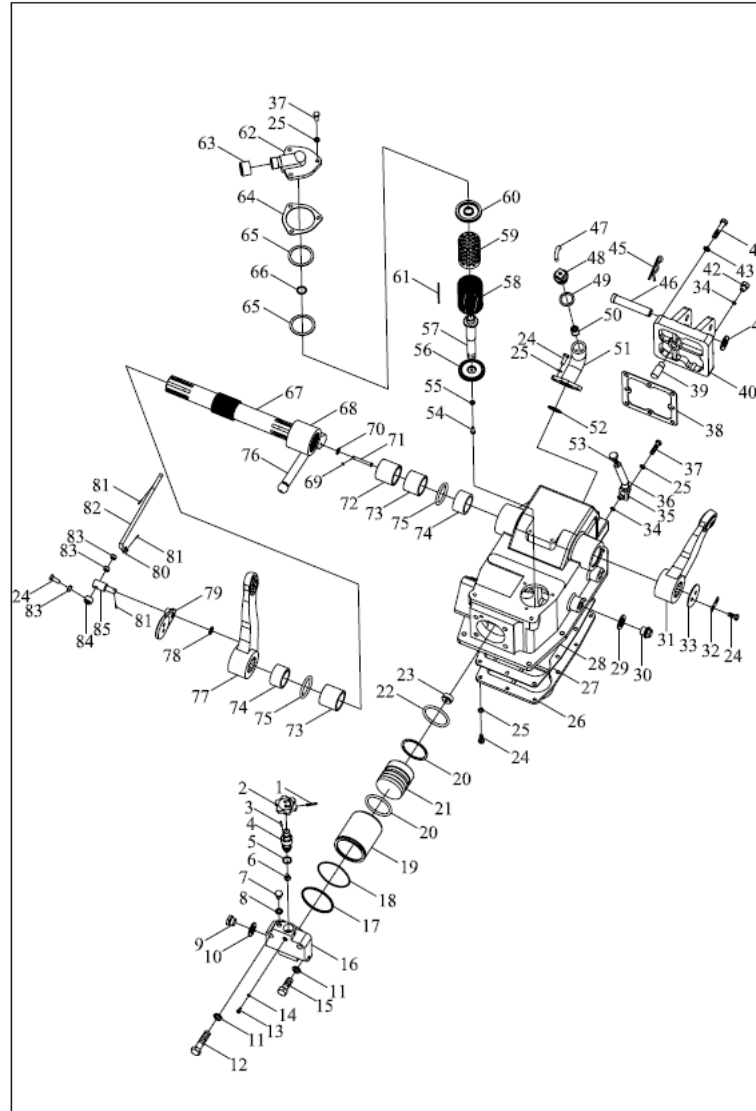
TE250.55 提升器装配总成-1



TE250.55-1 55提升器装配总成-1(续)

标号 No.	代号 Code	名称 Description		数量 Quantity	备注 Remark
46	TE250.55.107	上拉杆前连接销	UPPER PULL ROD FRONT CONNECTING PIN	1	2011-11_
47	150.55.164	接管	CONNECTING TUBE	1	2011-11_
48	TE250.55.022	通气塞体焊合	VENTILATION PLUG	1	2011-11_
49	18.55.104	垫片	WASHER	1	2011-11_
5	GBT1235-22X2.4	O形圈	O RING SEAL	1	2011-11_
50	TE250.55.136	加油盖芯	OIL FILLING COVER CORE	1	2011-11_
51	TE250.55.201	加油口管		1	
52	GBT3452.1-30X2.65	液压气动用O形橡胶密封圈	O-SEAL RING	1	2011-11_
53	TE250.55.105	油尺压合	OIL DIPSTRICK PRESSURE UNIT	1	2011-11_
54	GBT5781-M6X16	六角头螺栓	BOLT;SOCKET;THROUGH	1	2011-11_
55	GBT97.1-6	垫圈 6	WASHER 6	1	2011-11_
56	YT18.54.120	滤网下盖	FILTER MESH LOWER COVER	1	2011-11_
57	YT18.54.118-1	吸油管	HOSE L.P.	1	2011-11_
58	YT18.54.122	吸油滤网	OIL SUCTION STRAINER	1	2011-11_
59	YT18.54.123	滤网骨架	FILTER MESH FRAMEWORK	1	2011-11_
6	YT18.55.129	调节阀	ADJUSTING VALVE	1	2011-11_
60	YT18.54.119	滤网上盖	FILTER MESH UPPER COVER	1	2011-11_
61	YT18.54.124	滤网合缝片	FILTER MESH CLOSING PIECES	1	2011-11_
62	FT254.58.138	滤清器盖	FILTER COVER	1	2011-11_
63	FT254.58.140	吸油口护丝	OIL SUCTION CAP THREAD	1	2011-11_
64	YT18.54.125	吸油管接头纸垫	OIL SUCTION PIPE JOINT PAPER WASHER	1	2011-11_
65	YT18.54.121	密封垫片	SEAL WASHER	1	2011-11_
66	GBT3452.1-20X2.65	液压气动用O形橡胶密封圈	O-SEAL RING	1	2011-11_
67	TE250.55.103-1	提升轴	LIFTING SHAFT	1	2011-11_
68	TE250.55.133-1	内提升臂	INNER LIFTING ARM	1	2011-11_

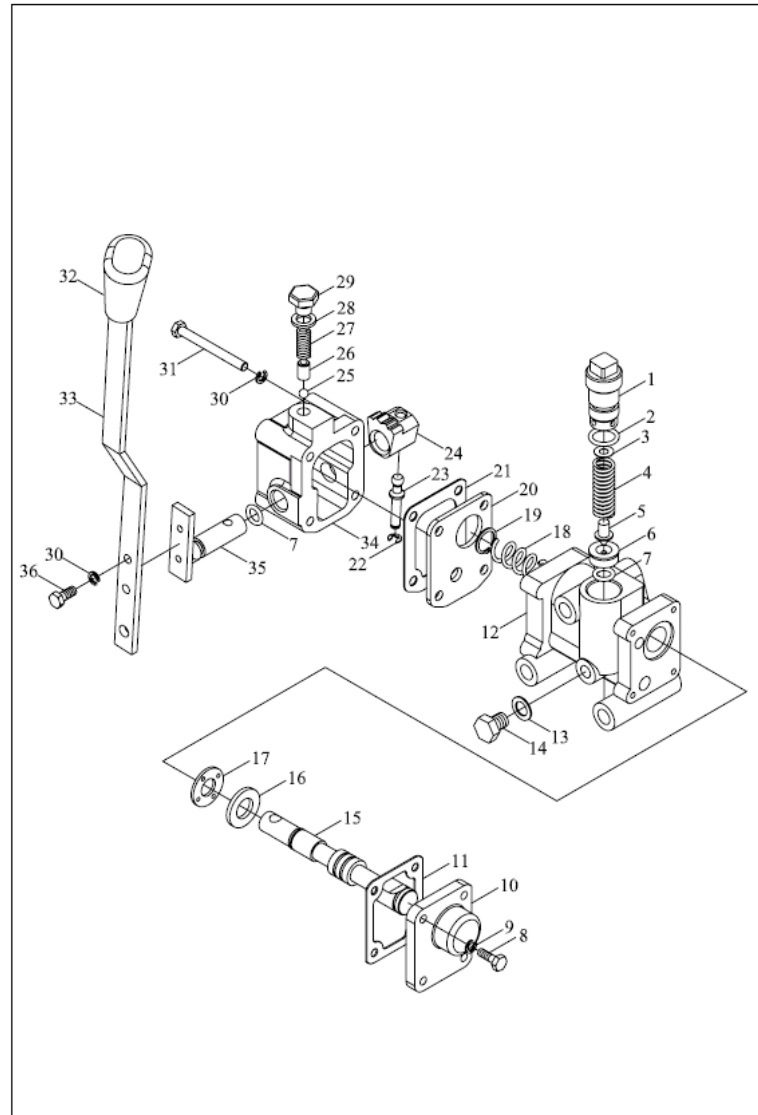
TE250.55 提升器装配总成-1



TE250.55-1 55提升器装配总成-1(续)

标号 No.	代号 Code	名称 Description		数量 Quantity	备注 Remark
69	GBT91-2X12	开口销	PIN	1	2011-11_
7	JB1000-M10X1X12	外六角螺塞	PLUG	1	2011-11_
70	GBT97.1-6	垫圈 6	WASHER 6	1	2011-11_
72	TE250.55.106-1	轴套	SHAFT SLEEVE	1	2011-11_
73	TE250.55.113-1	轴套	SHAFT SLEEVE	2	2011-11_
74	TE250.55.105A	提升轴套	LIFTING SHAFT SLEEVE	2	2011-11_
75	TE250.55.110	O形密封圈	O-SEAL RING	2	2011-11_
76	TE250.55.132	活塞顶杆	PISTON TOP ROD	1	2011-11_
77	TE250.55.013	右提升臂总成	RIGHT LIFTING ARM ASSEMBLY	1	2011-11_
78	GBT97.1-12	垫圈	WAHSER	1	2011-11_
79	TE250.55.145	回位挡板	RETURN RETAINER PLATE	1	2011-11_
8	150D.55.227-2	密封圈	SEAL RING	1	2011-11_
80	GBT97.1-8	垫圈	WAHSER	1	2011-11_
82	14.55.108A	提升调节杆	LIFTING ADJUSTING ROD	1	2011-11_
83	GBT6170-M8	螺母M8	NUT M8	3	2011-11_
84	TE250.55.110	O形密封圈	O-SEAL RING	1	2011-11_
85	14.55.107	限位销轴	LIMITING PIN SHAFT	1	2011-11_
9	25.55.109A	六角螺塞六角	HEXAGON SCREW PLUG	1	2011-11_

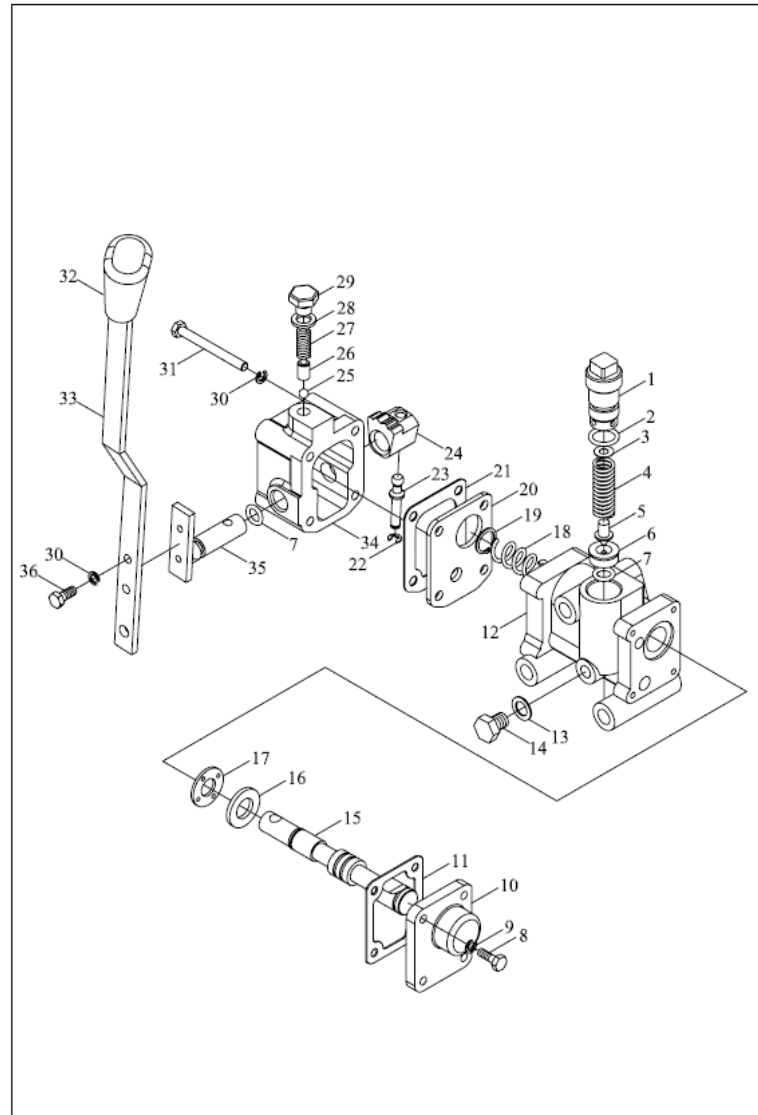
TE250.55 提升器装配总成-2



TE250.55-2 55提升器装配总成-2 55RAISER MOUNTING ASSEMBLY-2

标号 No.	代号 Code	名称 Description		数量 Quantity	备注 Remark
1	FT250.57.128	压紧螺塞	PRESSURE PLUG	1	2011-11_
10	FT250.57.102	前盖	FRONT COVER	1	2011-11_
11	FT250.57.103	前盖纸垫	FRONT COVER PAPER GASKET	1	2011-11_
12	FT250.57.104	分配器壳体	DISTRIBUTOR HOUSING	1	2011-11_
13	150D.55.227-2	密封圈	SEAL RING	1	2011-11_
14	JB1000-M10X1X12	外六角螺塞	PLUG	1	2011-11_
15	FT250.57.113	滑阀	SELECTOR	1	2011-11_
16	18FP.57.120	垫圈	WAHSER	1	2011-11_
17	FT250.57.115	垫片	WASHER	1	2011-11_
18	FT250.57.114	滑阀回位弹簧	SLIDING VALVE RETURN SPRING	1	2011-11_
19	GBT894.1-15	轴用弹性挡圈	SNAP RING	1	2011-11_
2	GBT3452.1-15X2.65G	液气气动用O形橡胶密封圈	O-SEAL RING	1	2011-11_
20	FT250.57.106	挡板	RETAINER PLATE	1	2011-11_
21	FT250.57.107	后盖纸垫	REAR COVER GASKET	2	2011-11_
22	GBT896-4	开口挡圈	SNAP RING	1	2011-11_
23	FT250.57.120	拨销	DIAL PIN	1	2011-11_
24	FT250.57.119	定位块	POSITION PIECE	1	2011-11_
25	GBT308-6	钢球	STEEL BALL	1	2011-11_
25	GBT308-6	钢球	STEEL BALL	1	2011-11_
26	FT250.57.121	定位弹簧座	LOCATING SPRING SEAT	1	2011-11_
27	FT250.57.122	定位弹簧	LOCATING SPRING	1	2011-11_
28	14FP.57.121	垫	WASHER	1	2011-11_
28	14FP.57.121	垫	WASHER	1	2011-11_
29	FT250.57.123	螺堵	SCREW PLUG	1	2011-11_
3	FT250.57.124	调整垫片	ADJUSTING WASHER	1	2011-11_

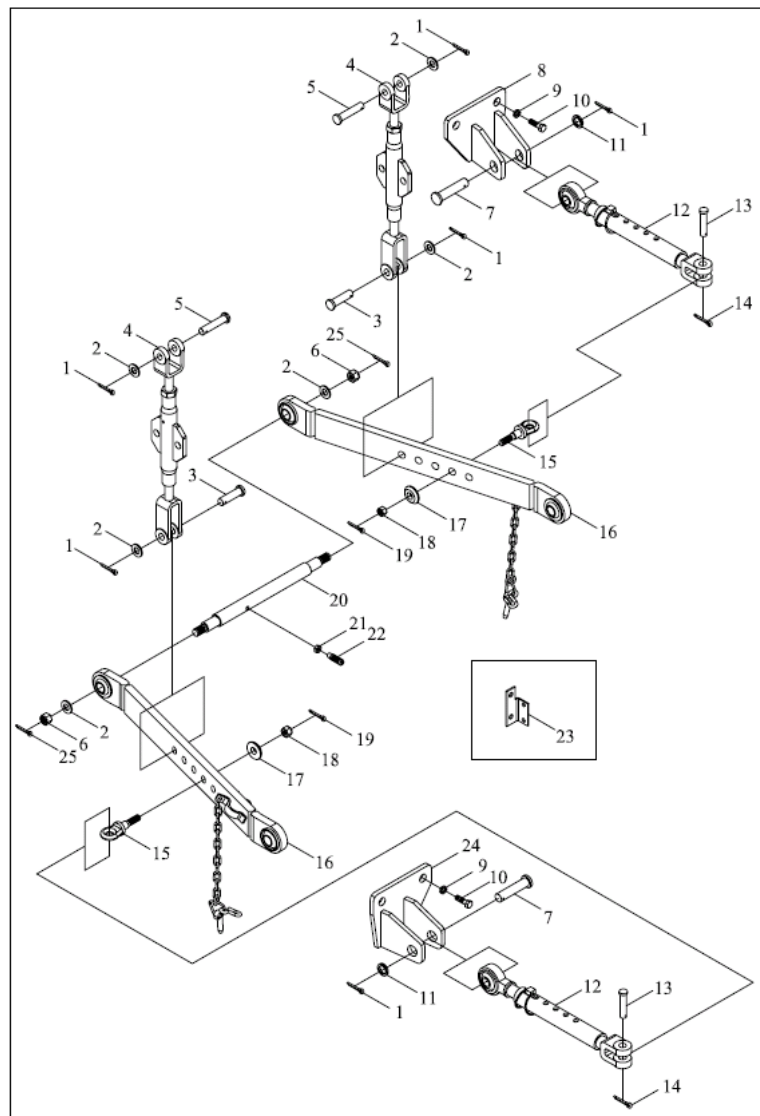
TE250.55 提升器装配总成-2



TE250.55-2 55提升器装配总成-2(续)

标号 No.	代号 Code	名称 Description		数量 Quantity	备注 Remark
30	GBT93-6	垫圈	WAHSER	6	2011-11_
31	GBT5782-M6X60	六角头螺栓	BOLT;SOCKET;THROUGH	4	2011-11_
32	FT65.57.013	手柄头总成	HANDLE HEAD ASSEMBLY	1	2011-11_
32	FT65.57.013	手柄头总成	HANDLE HEAD ASSEMBLY	1	2011-11_
33	TE300.57.101	手柄	KNOB	1	2011-11_
34	FT250.57.108	后盖	REAR CORER	1	2011-11_
35	FT250.57.109	手柄轴	HANDLE SHAFT	1	2011-11_
35	FT250.57.109	手柄轴	HANDLE SHAFT	1	2011-11_
36	GBT5783-M6X14	六角头螺栓	BOLT;SOCKET;THROUGH	2	2011-11_
4	FT250.57.129	安全阀弹簧	SAFETY VALVE SPRING	1	2011-11_
5	FT250.57.131	安全阀阀芯	SAFETY VALVE CORE	1	2011-11_
6	FT250.57.101	安全阀阀座	SAFETY VALVE SEAT	1	2011-11_
7	GBT3452.1-9.5X2.65G	液压气动用O形橡胶密封圈	O-SEAL RING	2	2011-11_
8	GBT5783-M5X16	六角头螺栓	BOLT;SOCKET;THROUGH	4	2011-11_
9	GBT93-5	垫圈	WAHSER	4	2011-11_

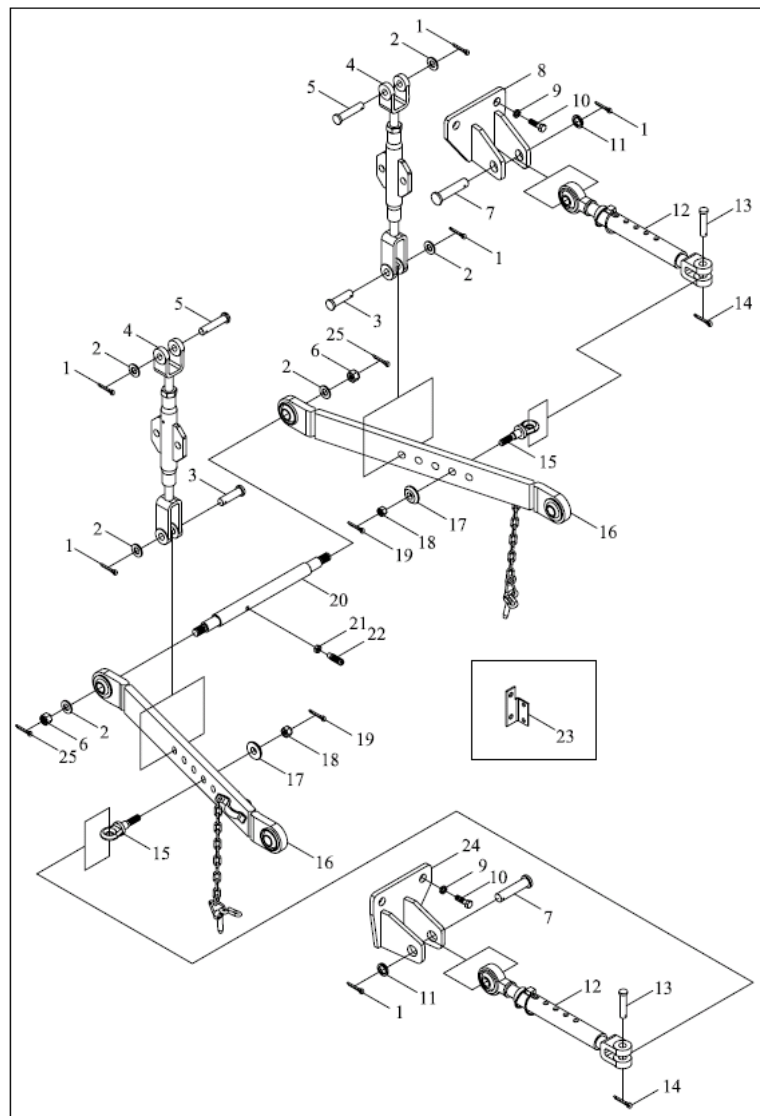
FT250.56.001 悬挂机构总成-1



FT250.56.001-1 56悬挂机构总成-1 SUSPENSION MECHANISM ASSEMBLY-1

标号 No.	代号 Code	名称 Description		数量 Quantity	备注 Remark
1	GBT91-4X28-A0P	开口销	PIN	6	2011-11_
10	GBT5783-M14X35-A3L	六角头螺栓	BOLT;SOCKET;THROUGH	4	2011-11_
11	FT250.56.103	套	BUSH	4	2011-11_
12	FT250.56.016a	限位杆总成	LIMIT ROD ASSEMBLY	2	2011-11_
13	GBT882-B16X55-A0P	销轴	JOINT	2	2011-11_
14	GBT91-5X32-A0P	开口销	PIN	2	2011-11_
15	FT250.56.138a	限位杆后联接销	LIMITING ROD REAR CONNECTING PIN	2	2011-11_
16	FT250.56.013	下拉杆总成	LOWER PULL ROD ASSEMBLY	2	2011-11_
17	FT250.56.139a	圆板	ROUND BOARD	2	2011-11_
18	GBT6178-M14-A3L	螺母	NUT	2	2011-11_
19	GBT91-3.2X28-A0P	开口销	PIN	2	2004-01_
2	GBT97.1-16-A0P	垫圈	WAHSER	6	2011-11_
20	FT250.56.102	下拉杆固定轴	LOWER PULL ROD FIXING SHAFT	1	2011-11_
21	GBT6172.1-M12-A3L	螺母	NUT	1	2011-11_
22	FT250.56.125	止动螺钉	THRUST SCREW	1	2004-01_
22	FT250.56.125	止动螺钉	THRUST SCREW	1	2004-01_
23	FT250.56.144	油管支架	OIL PIPE BRACKET	1	2011-11_
24	FT250.56.018	左限位杆支架焊合件	LEFT LIMITING ROD BRACKET WELDMENT	1	2011-11_
25	GBT91-4X36-A0P	开口销	PIN	2	2011-11_
3	FT250.56.104	提升杆下联接销	LIFTING ROD LOWER CONNECTING PIN	2	2011-11_
4	FT250.56.011	提升杆总成	LIFTING ROD ASSEMBLY	2	2011-11_
5	FT250.56.101	提升杆上联连接销	LIFTING ROD UPPER CONNECTING PIN	2	2004-01_
5	FT250.56.101a	提升杆上联连接销	LIFTING ROD UPPER CONNECTING PIN	2	2008-01_
6	GBT6178-M16-A3L	1型六角开槽螺母	NUT	2	2011-11_
7	FT250.56.106	限位杆联接销	LIMITING ROD CONNECTING PIN	2	2011-11_

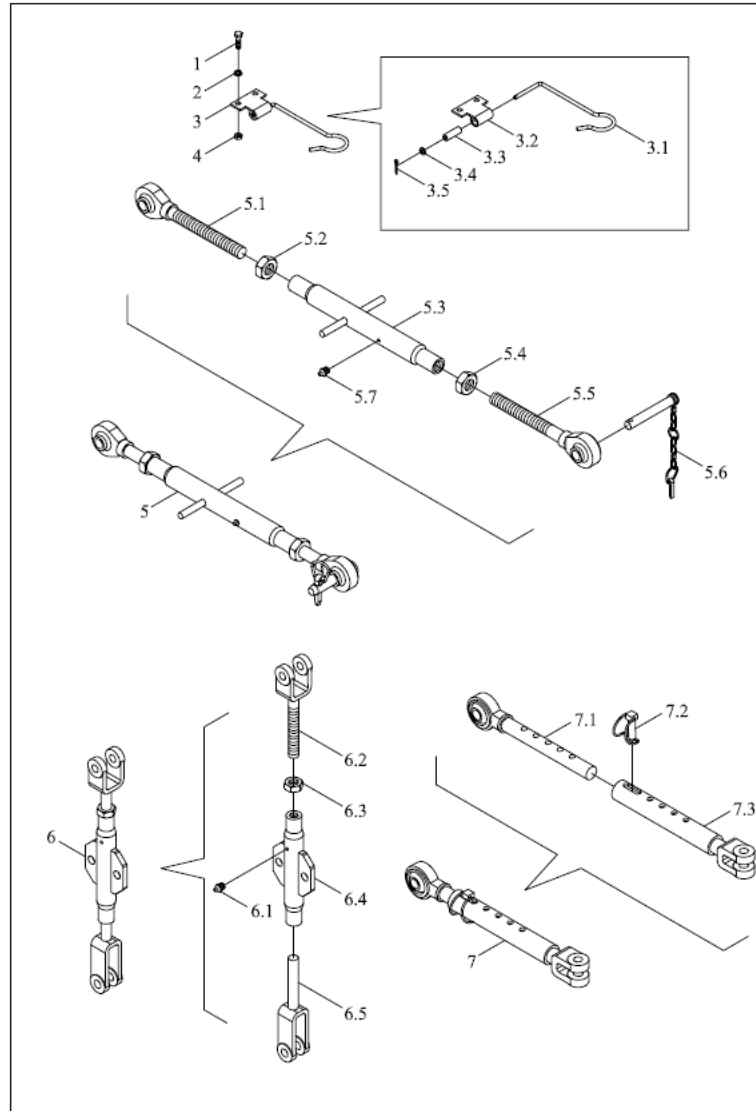
FT250.56.001 悬挂机构总成-1



FT250.56.001-1 56悬挂机构总成-1(续)

标号 No.	代号 Code	名称 Description		数量 Quantity	备注 Remark
7.4	FT250.56.025a	伸缩套管总成	EXTENSIBLE PIPE ASSEMBLY	1	
7.5	FT250.56.025b	伸缩套管总成	EXTENSIBLE PIPE ASSEMBLY	1	2008-02_
7.6	FT250.56.025C	限位套管总成	LIMITING SLEEVE ASSEMBLY	1	
8	FT250.56.015	右限位杆支架焊合件	RIGHT LIMITING ROD BRACKET WELDMENT	1	2011-11_
9	GBT93-14-A0P	弹簧垫圈	SPRING WASHER	4	2011-11_
9	GBT93-14-A0P	弹簧垫圈	SPRING WASHER	4	2011-11_

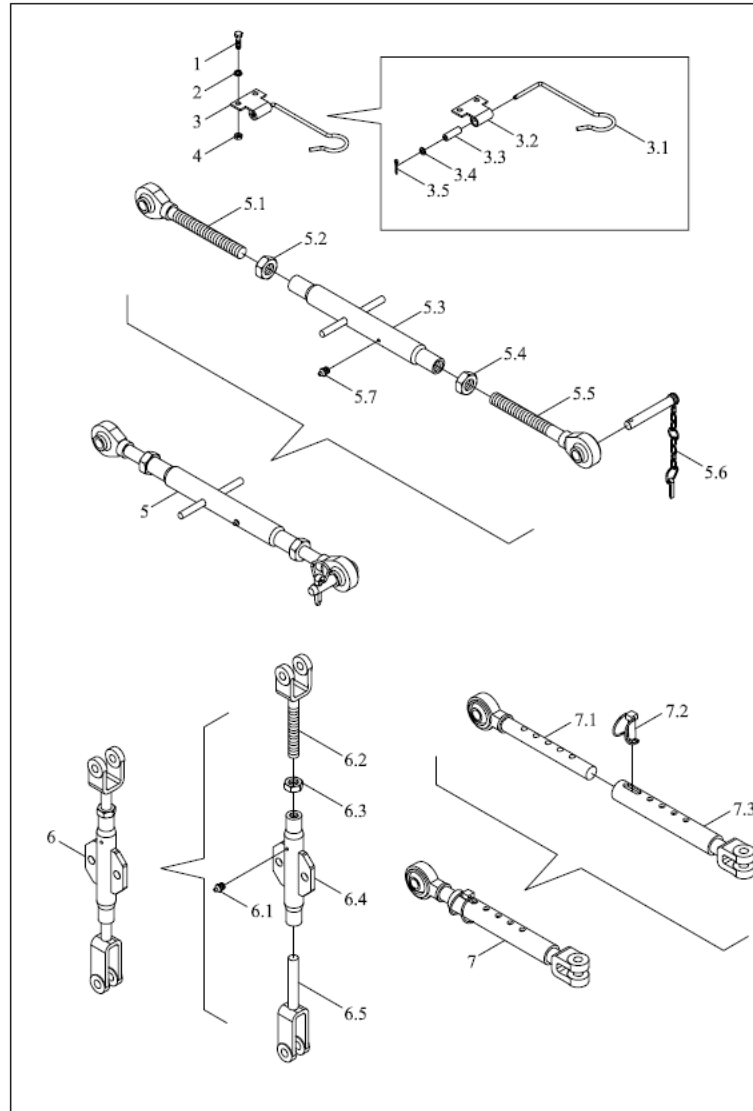
FT250.56.001 悬挂机构总成-2



FT250.56.001-2 56悬挂机构总成-2 SUSPENSION MECHANISM ASSEMBLY-2

标号 No.	代号 Code	名称 Description		数量 Quantity	备注 Remark
1	GBT5783-M8X16-A2L	螺栓	BOLT	2	2011-11_
2	GBT93-8-A0P	垫圈	WAHSER	2	2011-11_
3	TE300.56.6	上拉杆固定卡组合	UPPER PULL ROD FIXED CLIP COMBINATION	1	2011-11_
3.1	TE300.56.6-02	上拉杆固定卡	UPPER PULL ROD FIXING CLIP	1	2011-11_
3.2	TE300.56.6-01	固定座	RETAINER	1	2011-11_
3.3	TE300.56.6-03	尼龙衬套	NYLON BUSH	1	2011-11_
3.4	GBT96.1-6-A0P	垫圈	WAHSER	1	2011-11_
3.5	GBT91-2X14-A0P	开口销	PIN	1	2011-11_
4	GBT6170-8-A2L	1型六角螺母	HEXAGON NUT, TYPE-1	2	2011-11_
5	FT250.56.012a	上拉杆总成	UPPER PULL ROD ASSEMBLY	1	2011-11_
5.1	FT250.56.017	上拉杆前调节杆总成	UPPER PULL ROD FRONT ADJUSTING ROD	1	2011-11_
5.2	GBT6171-M22X1.5-A3L	1型六角螺母	ASSEMBLY	1	2011-11_
5.3	FT250.56.031	调节螺管焊合	HEXAGON NUT, TYPE-1	1	2011-11_
5.4	GBT6171-M22X1.5LH-A3L	1型六角螺母	ADJUSTING SCREW WELDMENT	1	2011-11_
5.5	FT250.56.019	上拉杆后调节杆总成	HEXAGON NUT, TYPE-1	1	2011-11_
5.6	FT300.56A.113	锁销链总成	UPPER PULL ROD REAR ADJUSTING ROD	1	2011-11_
5.7	JBT7940.1-M6	直通式压注油杯	ASSEMBLY	1	2004-01_
6	FT250.56.011	提升杆总成	LOCKING PIN CHAIN ASSEMBLY	1	2011-11_
6.2	FT250.56.107	提升杆上联接叉	STRAIGHT PRESSURE FILLING OIL CUP	1	2004-01_
6.2	FT250.56.107a	提升杆上联接叉	LIFTING ROD ASSEMBLY	1	2008-01_
6.3	GBT6171-M18X1.5-A3L	1型六角螺母	LIFTING ROD UPPER CONNECTING FORK	1	2011-11_
6.4	FT250.56.022a	提升杆螺管总成	LIFTING ROD UPPER CONNECTING FORK	1	2008-01_
6.4	FT250.56.022	提升杆螺管总成	HEXAGON NUT, TYPE-1	1	2004-01_
6.5	FT250.56.108	提升杆下联接叉	LIFTING ROD SOLENOID ASSEMBLY	1	2004-01_
6.5	FT250.56.108a	提升杆下联接叉	LIFTING ROD SOLENOID ASSEMBLY	1	2008-01_

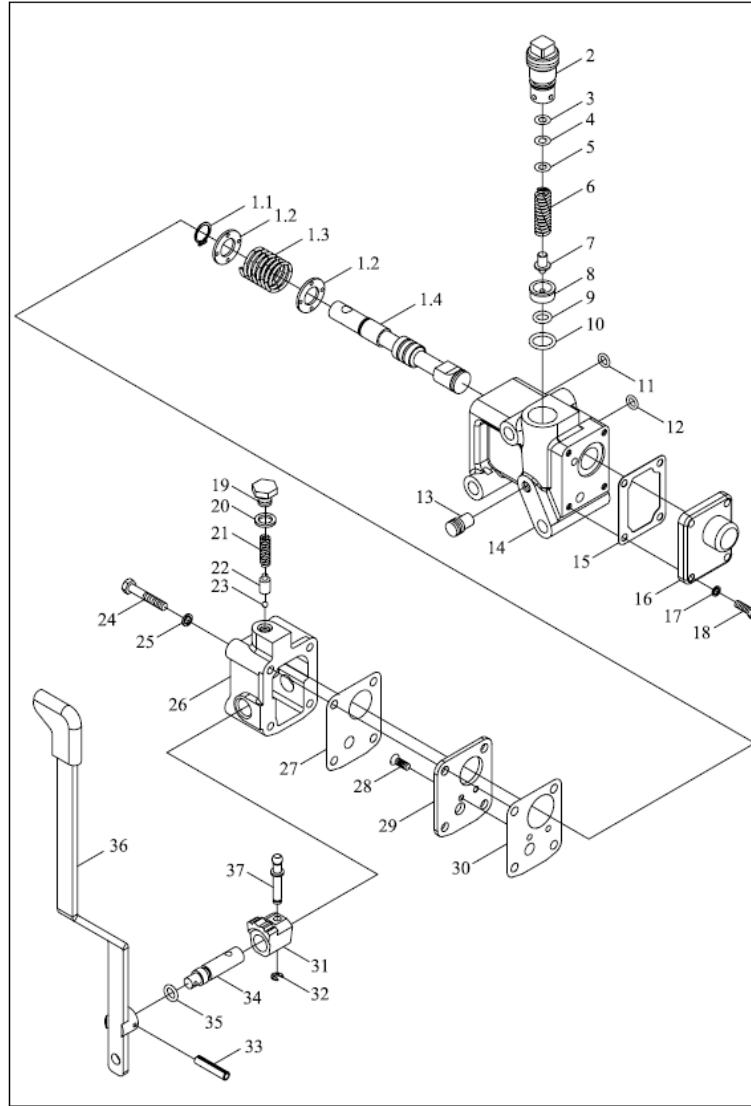
FT250.56.001 悬挂机构总成-2



FT250.56.001-2 56悬挂机构总成-2(续)

标号 No.	代号 Code	名称 Description		数量 Quantity	备注 Remark
7	FT250.56.016a	限位杆总成	LIMIT ROD ASSEMBLY	1	2011-11_
7.1	FT250.56.023	伸缩导杆总成	EXTENSIBLE GUIDE ROD ASSEMBLY	1	2004-01_
7.1	FT250.56.023a	伸缩导杆总成	EXTENSIBLE GUIDE ROD ASSEMBLY	1	2008-02_
7.1	FT250.56.023B	伸缩导杆总成	EXTENSIBLE GUIDE ROD ASSEMBLY	1	2011-07_
7.11	FT250.56.126b	套管	SPACER	1	2011-07_
7.2	FT250.56.021a	限位杆锁销总成	LIMIT ROD LOCK PIN ASSEMBLY	1	2011-11_
7.3	FT250.56.025b	伸缩套管总成	EXTENSIBLE PIPE ASSEMBLY	1	2008-02_
7.3	FT250.56.025a	伸缩套管总成	EXTENSIBLE PIPE ASSEMBLY	1	2004-01_
7.7	FT250.56.129	螺纹套管		1	
7.8	FT250.56.126	伸缩导管	EXTENSIBLE GUIDE PIPE		
7.9	FT250.56.126a	伸缩导管	EXTENSIBLE GUIDE PIPE	1	2008-02_

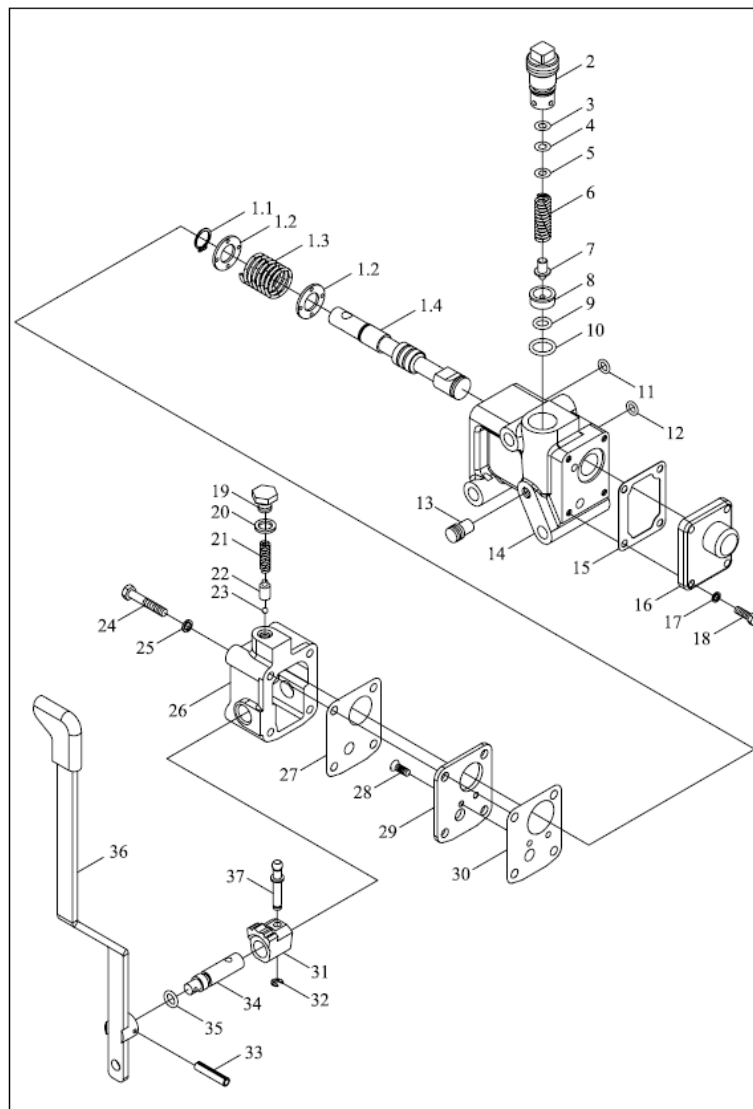
FT250.57.001 分配器总成



FT250.57.001 57-分配器总成 57-DISTRIBUTOR ASSEMBLY

标号 No.	代号 Code	名称 Description		数量 Quantity	备注 Remark
1	FT250.57.010	滑阀总成	SLIDING VALVE ASSEMBLY	1	2011-11_
1.1	GBT894.1-15	轴用弹性挡圈	SNAP RING	1	2011-11_
1.2	FT250.57.115	垫片	WASHER	2	2011-11_
1.3	FT250.57.114	滑阀回位弹簧	SLIDING VALVE RETURN SPRING	1	2011-11_
1.4	FT250.57.113	滑阀	SELECTOR	1	2011-11_
10	GBT3452.1-15X2.65G	液压气动用O形橡胶密封圈	O-SEAL RING	1	2011-11_
11	GBT3452.1-13.2X2.65G	液压气动用O形橡胶密封圈	O-SEAL RING	1	2011-11_
12	GBT3452.1-19X2.65G	液压气动用O形橡胶密封圈	O-SEAL RING	1	2011-11_
13	JBZQ4447-Z1-8	螺塞	SCREW PLUG	1	2011-11_
14	FT250.57.104	分配器壳体	DISTRIBUTOR HOUSING	1	2011-11_
15	FT250.57.103	前盖纸垫	FRONT COVER PAPER GASKET	1	2011-11_
16	FT250.57.102	前盖	FRONT COVER	1	2011-11_
17	GBT93-5	垫圈	WASHER	4	2004-01_
18	GBT5781-M5X16-A2L	六角头螺栓	BOLT;SOCKET;THROUGH	4	2004-01_
19	FT250.57.123	螺堵	SCREW PLUG	1	2011-11_
2	FT250.57.128	压紧螺塞	PRESSURE PLUG	1	2011-11_
20	FT250.57.124	调整垫片	ADJUSTING WASHER	1	2011-11_
21	FT250.57.122	定位弹簧	LOCATING SPRING	1	2011-11_
22	FT250.57.121	定位弹簧座	LOCATING SPRING SEAT	1	2011-11_
23	GBT308-5-G100b	钢球	STEEL BALL	1	2004-01_
24	GBT5780-M6X55-A1L	六角头螺栓	BOLT;SOCKET;THROUGH	4	2004-01_
25	GBT93-6	垫圈	WASHER	4	2004-01_
26	FT250.57.108	后盖	REAR COVER	1	2011-11_
27	FT250.57.107	后盖纸垫	REAR COVER GASKET	1	2011-11_
29	FT250.57.106	挡板	RETAINER PLATE	1	2011-11_

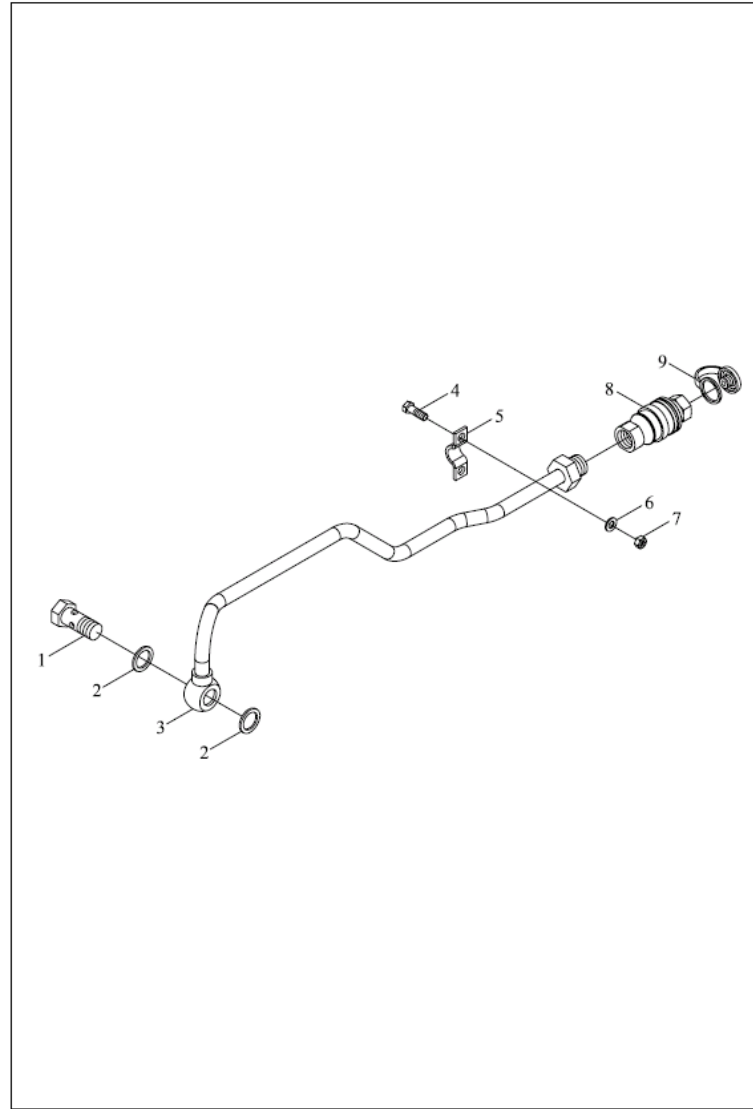
FT250.57.001 分配器总成



FT250.57.001 57-分配器总成(续)

标号 No.	代号 Code	名称 Description		数量 Quantity	备注 Remark
3	FT250.57.110	调整垫片	ADJUSTING WASHER	1	2011-11_
30	FT250.57.105	挡板纸垫	RETAINER PLATE PAPER GASKET	1	2011-11_
31	FT250.57.119	定位块	POSITION PIECE	1	2011-11_
32	GBT896-4	开口挡圈	SNAP RING	1	2011-11_
33	GBT879-4X22	销	PLAIN WASHER-LARGE SSRIE	1	2011-11_
34	FT250.57.109	手柄轴	HANDLE SHAFT	1	2011-11_
34	FT250.57.109	手柄轴	HANDLE SHAFT	1	2011-11_
35	GBT3452.1-9.5X2.65G	液压气动用O形橡胶密封圈	O-SEAL RING	1	2011-11_
36	FT250.57.011	手柄总成	HANDLE ASSEMBLY	1	2011-11_
36	FT250.57.011	手柄总成	HANDLE ASSEMBLY	1	2011-11_
37	FT250.57.120	拨销	DIAL PIN	1	2011-11_
4	FT250.57.111	调整垫片	ADJUSTING WASHER	1	2011-11_
5	FT250.57.112	调整垫片	ADJUSTING WASHER	1	2011-11_
6	FT250.57.129	安全阀弹簧	SAFETY VALVE SPRING	1	2011-11_
7	FT250.57.131	安全阀阀芯	SAFETY VALVE CORE	1	2011-11_
8	FT250.57.101	安全阀阀座	SAFETY VALVE SEAT	1	2011-11_
9	GBT3452.1-9X2.65G	液压气动用O形橡胶密封圈	O-SEAL RING	1	2011-11_

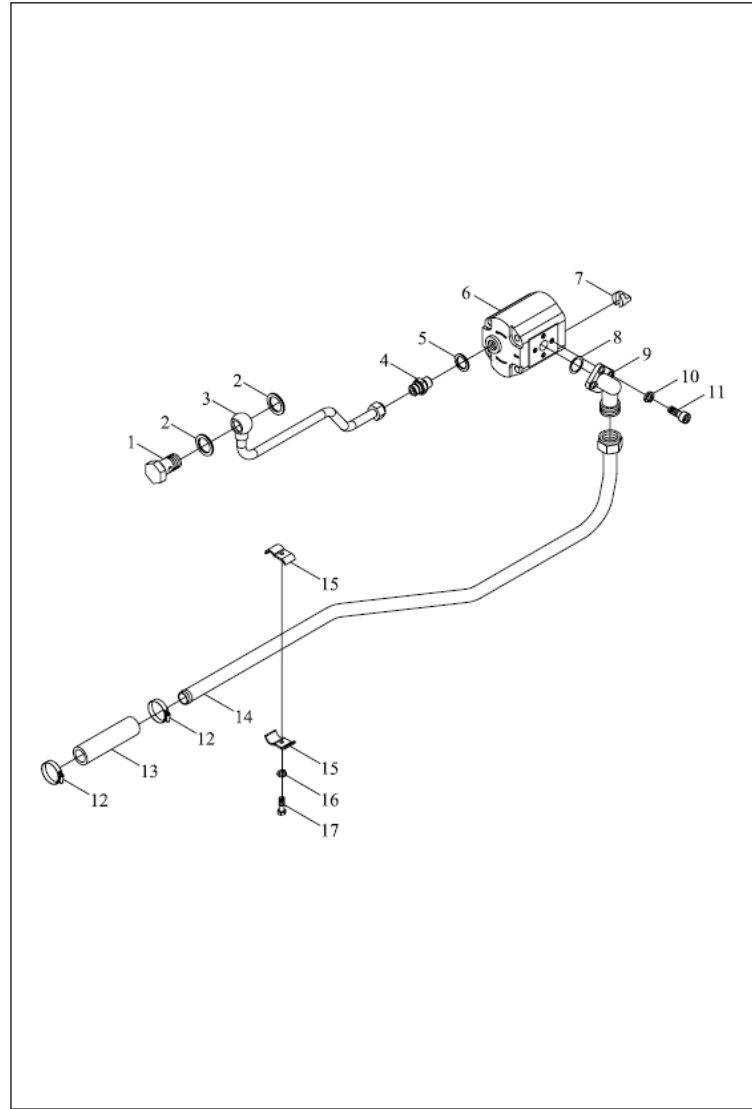
TE250.58A 液压输出管路总成



TE250.58A 58-液压输出管路总成 58-HYDRAULIC OUTPUT PIPE ASSEMBLY

标号 No.	代号 Code	名称 Description		数量 Quantity	备注 Remark
1	FT250.55.119	空心螺栓	HOLLOW BOLT	1	2011-11_
2	JBT982-18	组合密封垫圈	COMBINED SEAL GASKET	2	2011-11_
2	JBT982-18	组合密封垫圈	COMBINED SEAL GASKET	2	2011-11_
3	FT250.55.016	液压输出管焊合	HYDRAULIC OUTPUT PIPE WELDMENT	1	2011-11_
4	GBT5781-M8X20-A2L	六角头螺栓	BOLT;SOCKET;THROUGH	2	2011-11_
4	GBT5781-M8X20-A2L	六角头螺栓	BOLT;SOCKET;THROUGH	2	2011-11_
5	FT250.55.120	管夹	BRACKET	1	2011-11_
6	GBT97.1-8-A0P	平垫圈	FLAT WASHER	2	2004-01_
7	GBT6170-M8-A2L	螺母	NUT	2	2011-11_
8	FT354.58A.030	快换接头	QUICK CHANGING JOINT	1	2011-11_
9	FT354.58A.103	防尘盖	DUST COVER	1	2011-11_

TE254.581F 油泵油管总成

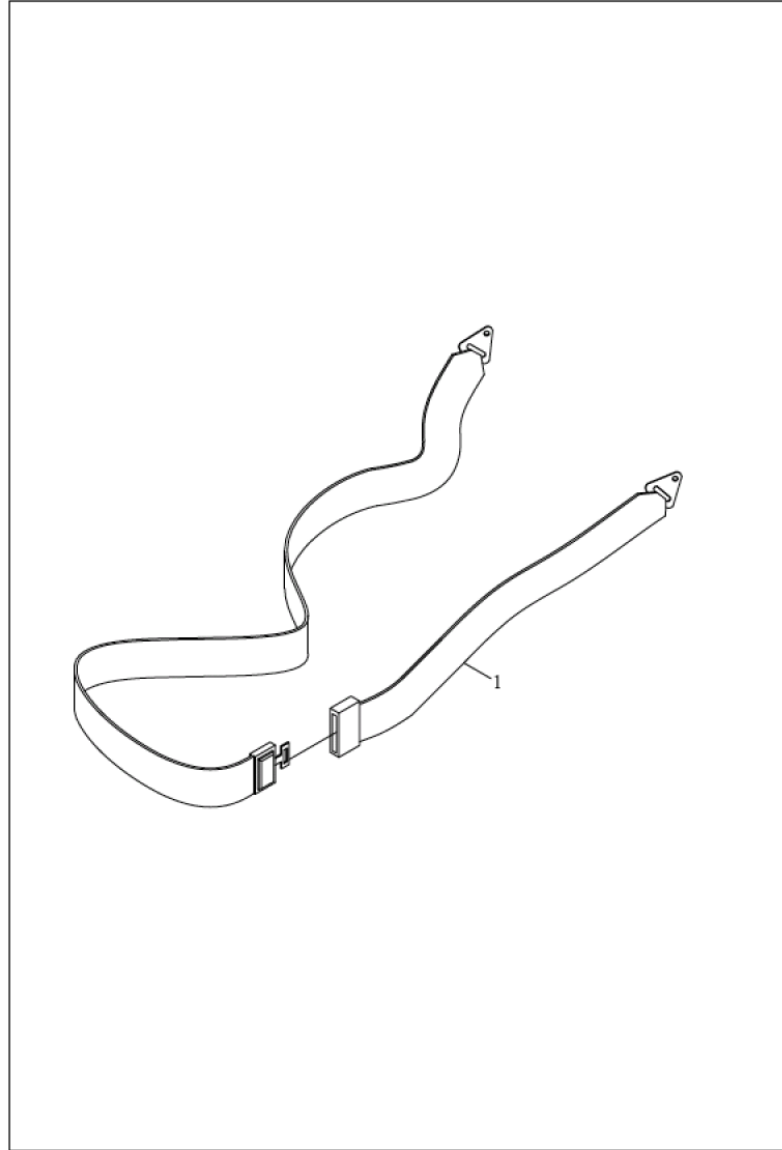


TE254.581F 58.1-油泵油管总成 58.1-OIL PUMP PIPE ASSEMBLY

标号 No.	代号 Code	名称 Description		数量 Quantity	备注 Remark
1	FT254.58.132	空心螺栓	HOLLOW BOLT	1	2011-11_
10	GBT93-8-AOP	垫圈	WAHSER	3	2011-11_
11	GBT70.1-M8X25-A2L	内六角圆柱头螺钉	INNER HEXAGON SCREW	3	2011-11_
12	Q67638	A型蜗杆传动式软管环箍	A-TYPE WORM TRANSMISSION HOSE CLAMP	2	2011-11_
13	FT400.58A.102	吸油胶管	OIL SUCTION HOSE	1	2011-11_
14	TE254.581F.1a	油泵吸油管总成	OIL PUMP INLET PIPE ASSEMBLY	1	2012-09_
14	TE254.581F.1	油泵吸油管总成	OIL PUMP INLET PIPE ASSEMBLY	1	2005-01_
15	TE250.581C.3	油管夹与胶垫胶合	OIL PIPE CLAMP AND RUBBER WASHER	2	2011-11_
15	TE250.581C.3	油管夹与胶垫胶合	OIL PIPE CLAMP AND RUBBER WASHER	2	2011-11_
16	GBT93-6-A0P	垫圈	WAHSER	1	2011-11_
17	GBT5781-M6X40-A1L	六角头螺栓	BOLT;SOCKET;THROUGH	1	2011-11_
2	JBT982-24	组合密封垫圈	COMBINED SEAL GASKET	2	2011-11_
3	TE254.581B.2a	压力油管总成	PRESSURE OIL PIPE ASSEMBLY	1	2011-11_
4	FT804.58.112	卡套式端直通接头体	JOINT BODY	1	2011-11_
5	JBT982-18	组合密封垫圈	COMBINED SEAL GASKET	1	2011-11_
5	JBT982-18	组合密封垫圈	COMBINED SEAL GASKET	1	2011-11_
6	FT254.58.010	齿轮泵	GEAR PUMP	1	2011-11_
7	FT254.58.127	十字滑块	CROSS SLIDE BLOCK	1	2011-11_
8	GBT3452.1-21.2X1.8G	液气气动用O形橡胶密封圈	O-SEAL RING	1	2011-11_
9	FT254.58.136a	前置油泵油管接头	FRONT OIL PUMP PIPE JOINT	1	2012-09_
9	FT254.58.136	前置油泵油管接头	FRONT OIL PUMP PIPE JOINT	1	2005-01_

TE254.582M 58.2-多路阀油管总成 58.2-MULTI-WAY VALVE OIL PIPE ASSEMBLY

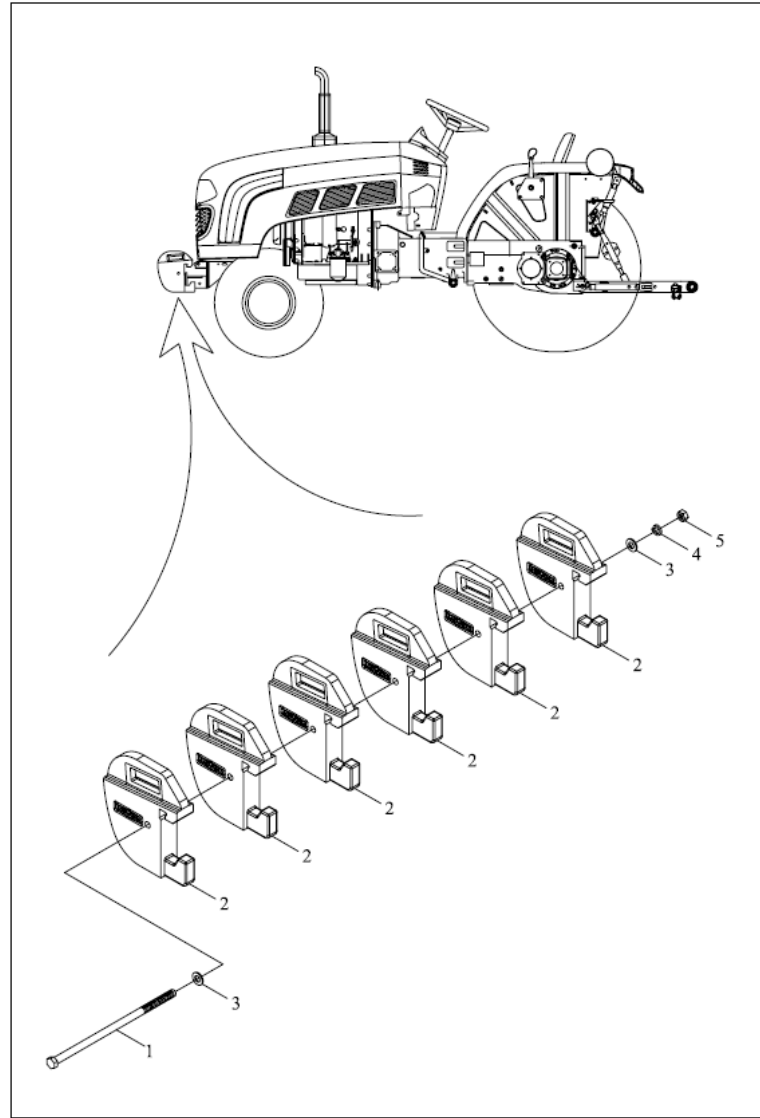
标号 No.	代号 Code	名称 Description		数量 Quantity	备注 Remark
	TE254.582M-2	多路阀油管总成-2	MULTI-WAY VALVE OIL PIPE ASSEMBLY-2		2012-05_
	TE254.582M-1	多路阀油管总成-1	MULTI-WAY VALVE OIL PIPE ASSEMBLY-1		2012-05_



TA600.62ZC 62-安全带 62-SAFETY BELT

标号 No.	代号 Code	名称 Description		数量 Quantity	备注 Remark
1	TA600.62	安全带总成	SAFETY BELT ASSEMBLY	1	2012-01_

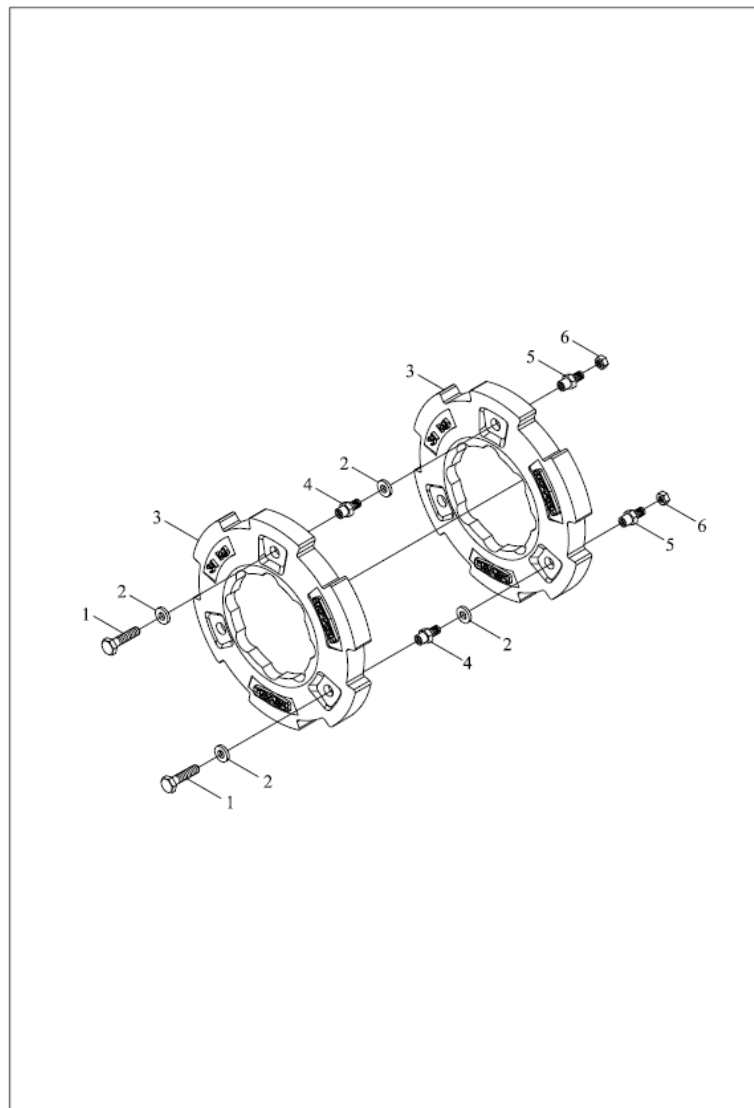
FT250.74.001 前配重总成



FT250.74.001 74-前配重总成 74-FRONT BALLAST ASSEMBLY

标号 No.	代号 Code	名称 Description		数量 Quantity	备注 Remark
1	FT250.74.102	配重固定螺栓	BALLAST FIXING BOLT	1	2011-11_
2	FT250.74.101a	前配重	FRONT BALLAST	6	2011-11_
3	GBT97.1-12-A0P	平垫圈	FLAT WASHER	2	2011-11_
4	GBT93-12-A0P	垫圈	WAHSER	1	2011-11_
5	GBT6170-M12-A3L	螺母	NUT	1	2011-11_

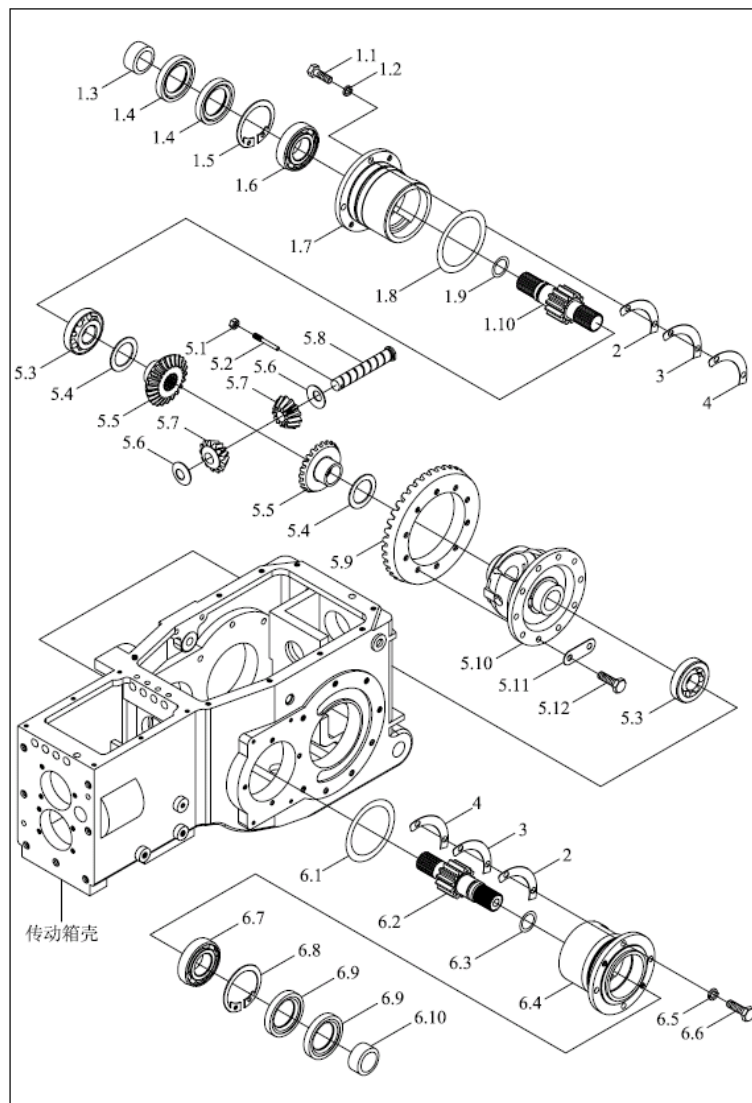
FT250.91B.001 后配重总成



FT250.91B.001 91-后配重总成 91-REAR BALLAST ASSEMBLY

标号 No.	代号 Code	名称 Description		数量 Quantity	备注 Remark
1	GBT5783-M16X1.5X35-A3L	六角头螺栓	BOLT;SOCKET;THROUGH	3	2011-11_
2	FT650.34.104	垫圈	WAHSER	6	2011-11_
3	FT250.91B.101	后配重	REAR BALLAST	2	2011-11_
4	FT250.91B.103	配重螺钉 II	BALLAST SCREW II	3	2011-11_
5	FT250.91B.102	配重螺钉 I	BALLAST SCREW I	3	2011-11_
6	GBT6171-M16X1.5-A3L	1型六角螺母	HEXAGON NUT, TYPE-1	3	2011-11_

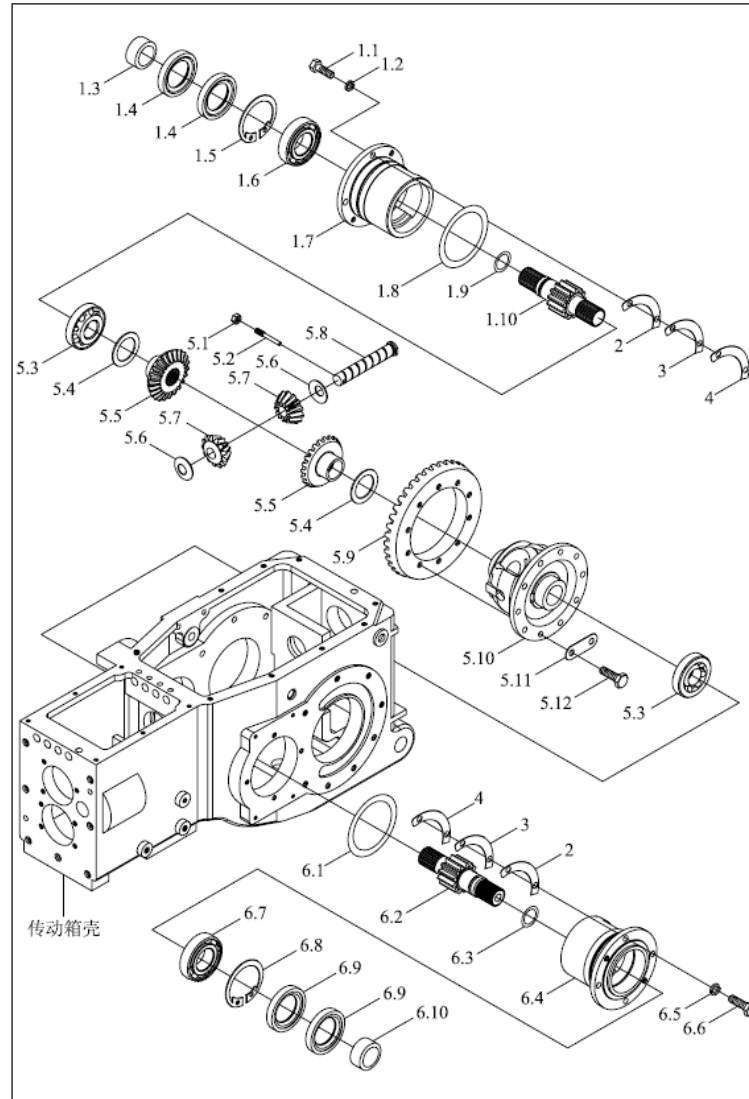
TE250.372B 传动箱后中央总成-1



TE250.372B-1 传动箱后中央总成-1 TRANSMISSION REAR CENTER ASSEMBLY-1

标号 No.	代号 Code	名称 Description		数量 Quantity	备注 Remark
1	TE250.372B.2	右短半轴总成	RIGHT SHORT HALF SHAFT ASSEMBLY	1	2011-11_
1.1	TE250.372B.1-01	最终传动主动齿轮	FINAL TRANSMISSION DRIVING GEAR	1	2011-11_
1.1	GBT5783-M10X35-A3L	螺栓	BOLT	4	2011-11_
1.2	GBT93-10-A0P	标准型弹簧垫圈	PLAIN WASHER-LARGE SSRIE	4	2011-11_
1.3	FT250.37.208	油封套圈	OIL SEAL COLLAR	1	2011-11_
1.4	FT250.37.112	油封	OIL SEAL	2	2011-11_
1.5	GBT893.1-80	孔用挡圈	RETAINER RING FOR HOLE	1	2011-11_
1.6	GBT276-6307	深沟球轴承	BEARING	1	2011-11_
1.7	FT250.37.207	轴承座	CAP,BEARING	1	2011-11_
1.8	GBT3452.1-103X3.55G	液压气动用O形橡胶密封圈	O-SEAL RING	1	2011-11_
1.9	GBT3452.1-28X3.55G	液压气动用O形橡胶密封圈	O-SEAL RING	1	2011-11_
2	FT250.37.204	调整垫片	ADJUSTING WASHER		2011-11_
3	FT250.37.205	调整垫片	ADJUSTING WASHER		2011-11_
4	FT250.37.206	调整垫片	ADJUSTING WASHER		2011-11_
5	FT250.37.013	差速器总成	DIFFERENTIAL	1	2011-11_
5.1	FT250.37.197	差速器壳	DIFFERENTIAL HOUSING	1	2011-11_
5.1	GBT6170-M8-A2L	螺母	NUT	1	2011-11_
5.11	FT250.37.195	锁片	LOCK WASHER	5	2011-11_
5.12	GBT5786-M10X1.25X25-A2L	六角头螺栓	BOLT;SOCKET;THROUGH	10	2011-11_
5.2	FT250.37.201	固定螺钉	FIXING SCREW	1	2011-11_
5.3	GBT297-32011	圆锥滚子轴承	BEARING	2	2011-11_
5.4	FT250.37.203	半轴齿轮垫片	HALF SHAFT GEAR WASHER	2	2011-11_
5.5	FT250.37.202	半轴齿轮	GEAR, SIDE	2	2011-11_
5.6	FT250.37.199	行星齿轮垫片	PLANET GEAR WASHER	2	2011-11_
5.7	FT250.37.200	行星齿轮	PLANET GEAR	2	2011-11_

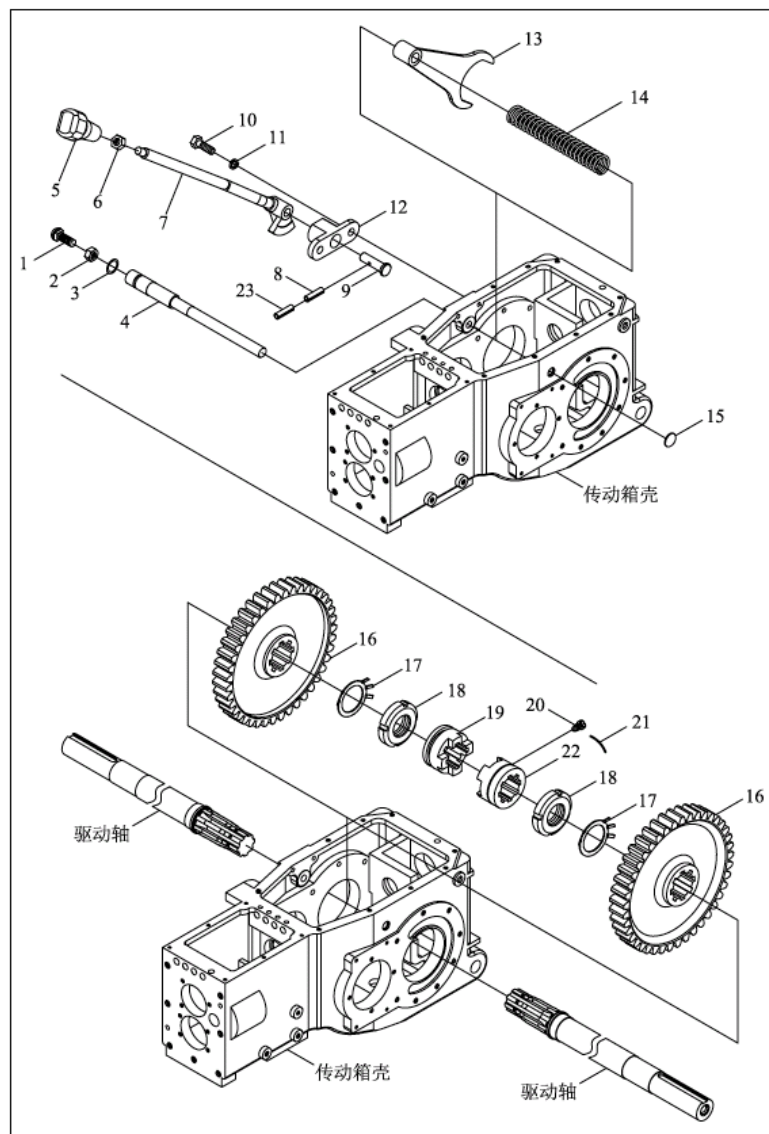
TE250.372B 传动箱后中央总成-1



TE250.372B-1 传动箱后中央总成-1(续)

标号 No.	代号 Code	名称 Description		数量 Quantity	备注 Remark
5.8	FT250.37.198	行星齿轮轴	PLANET GEAR SHAFT	1	2011-11_
5.9	FT250.37.196	从动螺旋锥齿轮	DRIVEN SPIRAL BEVEL GEAR	1	2011-11_
6	TE250.372B.1	左短半轴总成	LEFT SHORT HALF SHAFT ASSEMBLY	1	2011-11_
6.6	GBT5783-M10X25-A3L	螺栓	BOLT	4	2011-11_

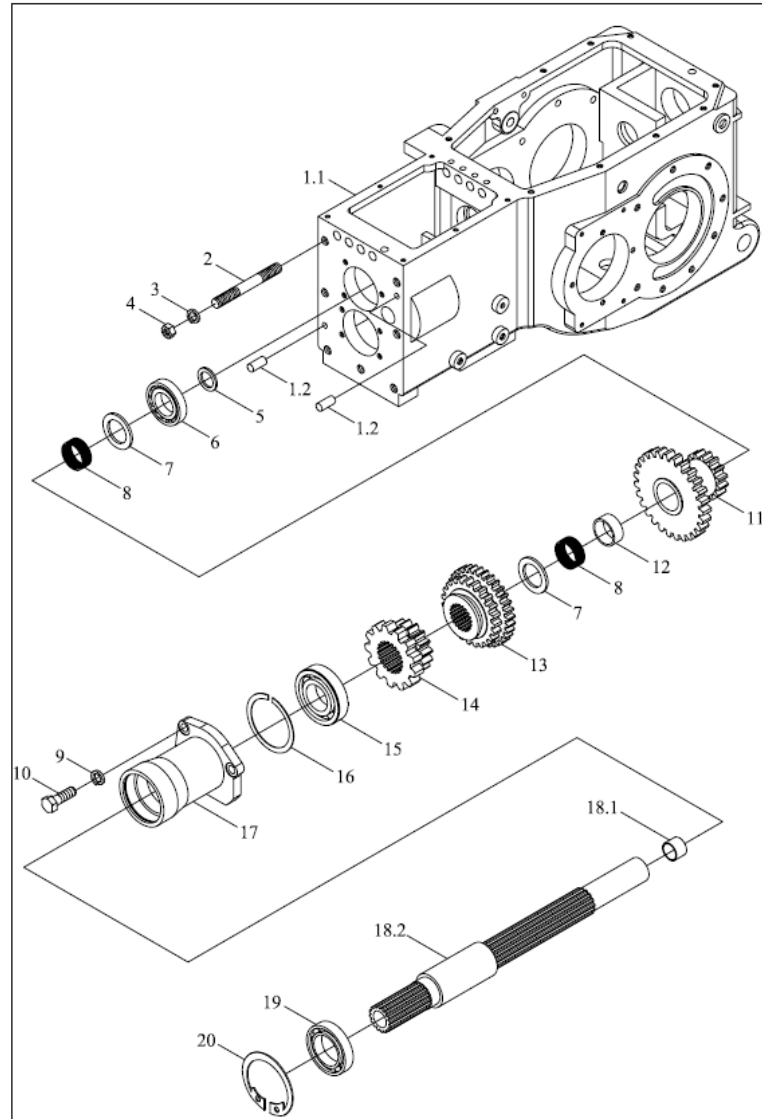
TE250.372B 传动箱后中央总成-2



TE250.372B-2 传动箱后中央总成-2 TRANSMISSION REAR CENTER ASSEMBLY-2

标号 No.	代号 Code	名称 Description		数量 Quantity	备注 Remark
1	FT250.37.323	球头螺栓	BALL BOLT	1	2011-11_
10	GBT5783-M10X25-A3L	螺栓	BOLT	2	2011-11_
11	GBT93-10-A0P	标准型弹簧垫圈	PLAIN WASHER-LARGE SSRIE	2	2011-11_
12	FT250.37.320	固定座	RETAINER	1	2011-11_
13	FT250.37.262	差速锁拨叉	DIFFERENTIAL LOCK FORK	1	2011-11_
14	FT250.37.263	差速锁弹簧	DIFFERENTIAL LOCK SPRING	1	2011-11_
15	FT250.37.232	堵片	PLIUG PIECE	1	2011-11_
16	TE250.372B-01	最终传动从动齿轮	FINAL TRANSMISSION DRIVEN GEAR	2	2011-11_
17	GBT858-52	圆螺母用止动垫圈	THRUST RING	2	2011-11_
18	GBT812-M52X1.5	圆螺母	NUT	2	2011-11_
19	FT250.37.261	右牙嵌	RIGHT JAW	1	2011-11_
2	GBT6172.1-M10-A3L	螺母	NUT	1	2011-11_
20	FT250.37.264	锁紧螺钉	LOCKING NUT	1	2011-11_
21	TE250.372B-02	低碳钢丝	LOW CARBON WIRE	1	2011-11_
22	FT250.37.265	左牙嵌	LEFT JAW	1	2011-11_
23	GBT879.1-3X22	弹性圆柱销	PIN,LOCK	1	2011-11_
3	GBT3452.1-15X2.65G	液气气动用O形橡胶密封圈	O-SEAL RING	1	2011-11_
4	FT250.37.267	差速锁拨叉轴	DIFFERENTIAL LOCK FORK SHAFT	1	2011-11_
5	FT250.41.011	动力输出分离操纵手柄	PTO RELEASE CONTROL HANDLE	1	2011-11_
6	GBT6170-M10-A3L	螺母	NUT	1	2011-11_
7	FT250.37.050	差速锁操纵杆焊合	DIFFERENTIAL LOCK CONTROL ROD WELDMENT	1	2011-11_
8	GBT879-5X22	销	PLAIN WASHER-LARGE SSRIE	1	2011-11_
9	FT250.37.322	销轴	JOINT	1	2011-11_

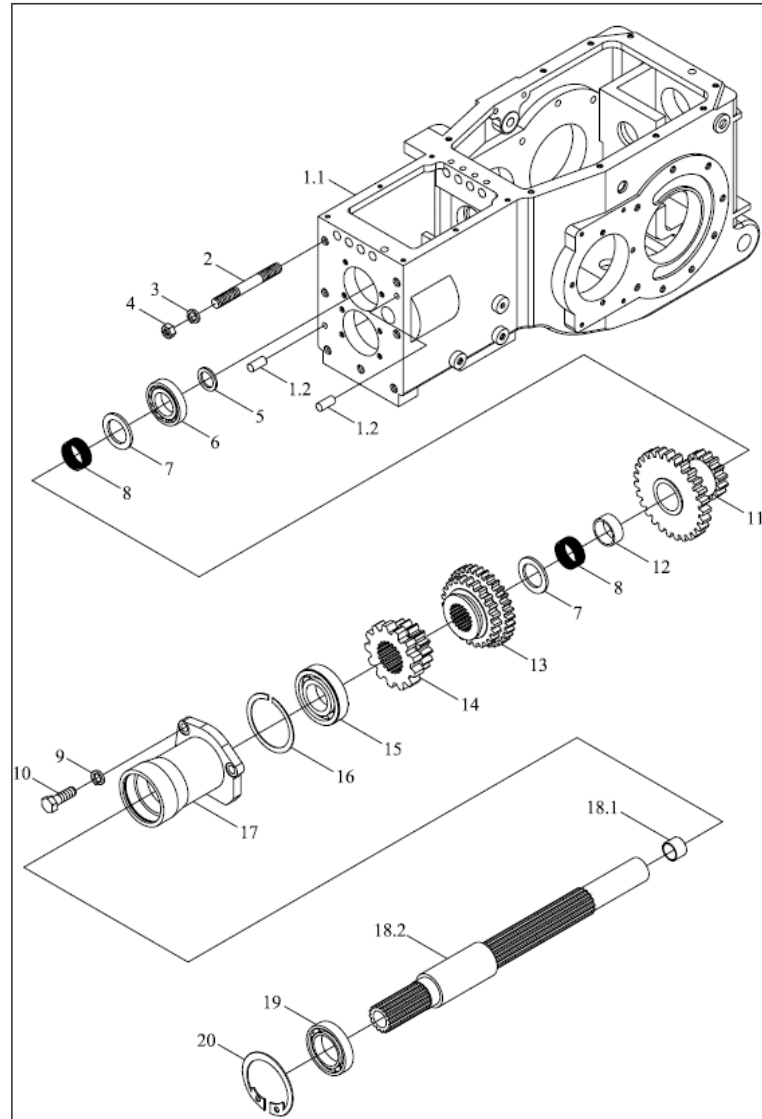
TE250.371E 传动箱总成-1



TE250.371E-1 传动箱总成-1 TRANSMISSION CASE ASSEMBLY-1

标号 No.	代号 Code	名称 Description		数量 Quantity	备注 Remark
1	FT250.37.011	传动箱壳总成	TRANSMISSION CASE SHELL ASSEMBLY	1	2011-11_
1	FT250.37.011	传动箱壳总成	TRANSMISSION CASE SHELL ASSEMBLY	1	2011-11_
1	FT250.37.011a	传动箱壳总成	TRANSMISSION CASE SHELL ASSEMBLY	1	2011-11_
1.1	FT250.37.101Q	传动箱壳	TRANSMISSION CASE SHELL	1	2011-11_
1.1	FT250.37.101	传动箱壳	TRANSMISSION CASE SHELL	1	2011-11_
1.2	GBT119.1-10m6X26-A0P	圆柱销	PIN	2	2011-01_
10	GBT5783-M10X25-A3L	螺栓	BOLT	3	2011-11_
11	FT250.37.146	高低档固定齿轮	HIGH AND LOW GEAR FIXING GEAR	1	2011-11_
12	FT250.37.139	短隔套	SHORT SPACER	1	2011-11_
13	TE250.371B-05	III-IV档滑动齿轮	III-IV SLIDING GEAR	1	2011-11_
14	TE300.371-05	I - II 档滑动齿轮	I-II SLIDING GEAR	1	2011-11_
15	GBT276-6207N	轴承	BEARING TAPER ROLLER	1	2011-11_
16	GBT305-7278.6	止动环	RING,THRUST	1	2011-11_
17	TE250.371B-04	一轴前轴承盖	1ST SHAFT FRONT BEARING COVER	1	2011-11_
18	TE250.371B.1	一轴总成	ONE SHAFT ASSEMBLY	1	2011-11_
18.1	FT250.37A.137	轴套	SHAFT SLEEVE	1	2011-11_
18.2	TE250.371B.1-01	一轴	1ST SHAFT	1	2011-11_
19	GBT276-6007	轴承6007	BEARING	1	2011-11_
2	GBT898-AM14-M14X1.5X35-A3L	双头螺柱	STANDARD SPING GASKET	7	2011-11_
20	GBT893.1-62	孔用挡圈62	BLOCKING RING - HOLE	1	2011-11_
3	GBT93-14-A0P	弹簧垫圈	SPRING WASHER	7	2011-11_
3	GBT93-14-A0P	弹簧垫圈	SPRING WASHER	7	2011-11_
4	GBT6171-M14X1.5-A3L	1型六角螺母	HEXAGON NUT, TYPE-1	7	2011-11_
5	FT250.37A.272	止推环	PLATE;THRUST	1	2011-11_
6	GBT283-NJ206E	轴承	BEARING TAPER ROLLER	1	2011-11_

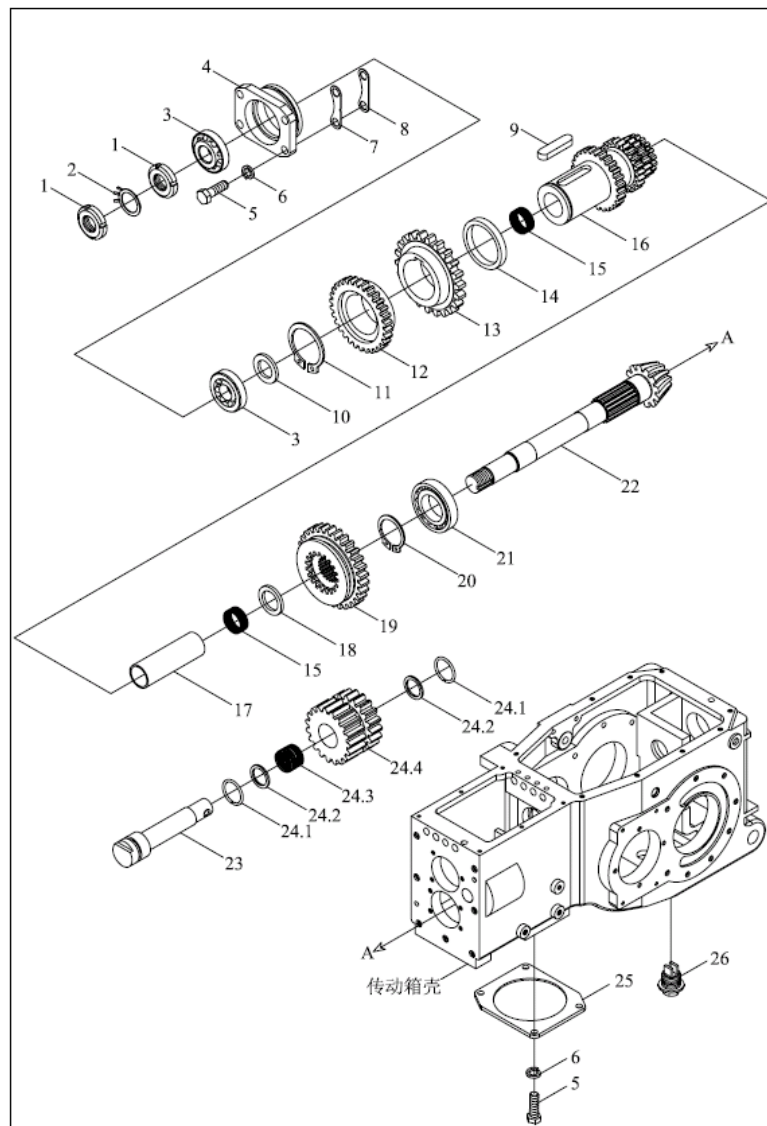
TE250.371E 传动箱总成-1



TE250.371E-1 传动箱总成-1(续)

标号 No.	代号 Code	名称 Description		数量 Quantity	备注 Remark
7	FT250.37A.147	一轴副变速隔套	1ST SHAFT ASSISTANT GEARSHIFT SLEEVE	2	2011-11_
8	JBT7918-K30X35X27	向心滚针和保持架组件	NEEDLE AND CARRIER UNIT	2	2011-01_
9	GBT93-10-A0P	标准型弹簧垫圈	PLAIN WASHER-LARGE SSRIE	3	2011-11_

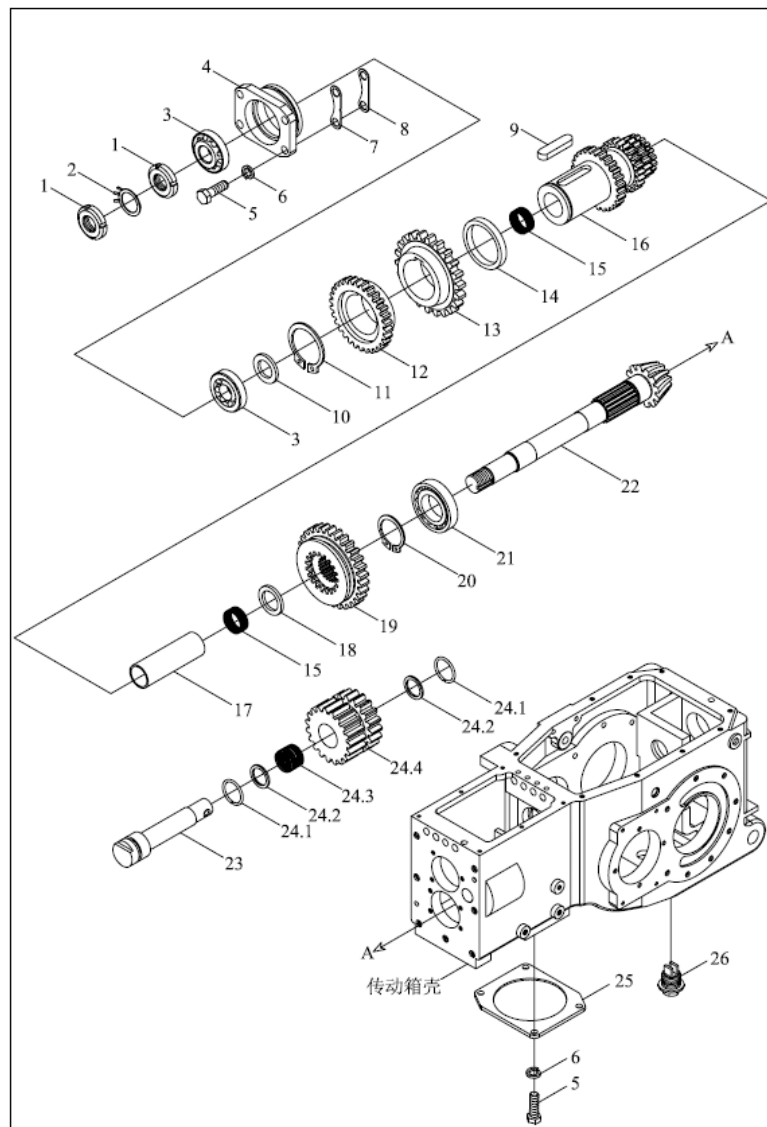
TE250.371E 传动箱总成-2



TE250.371E-2 传动箱总成-2 TRANSMISSION CASE ASSEMBLY-2

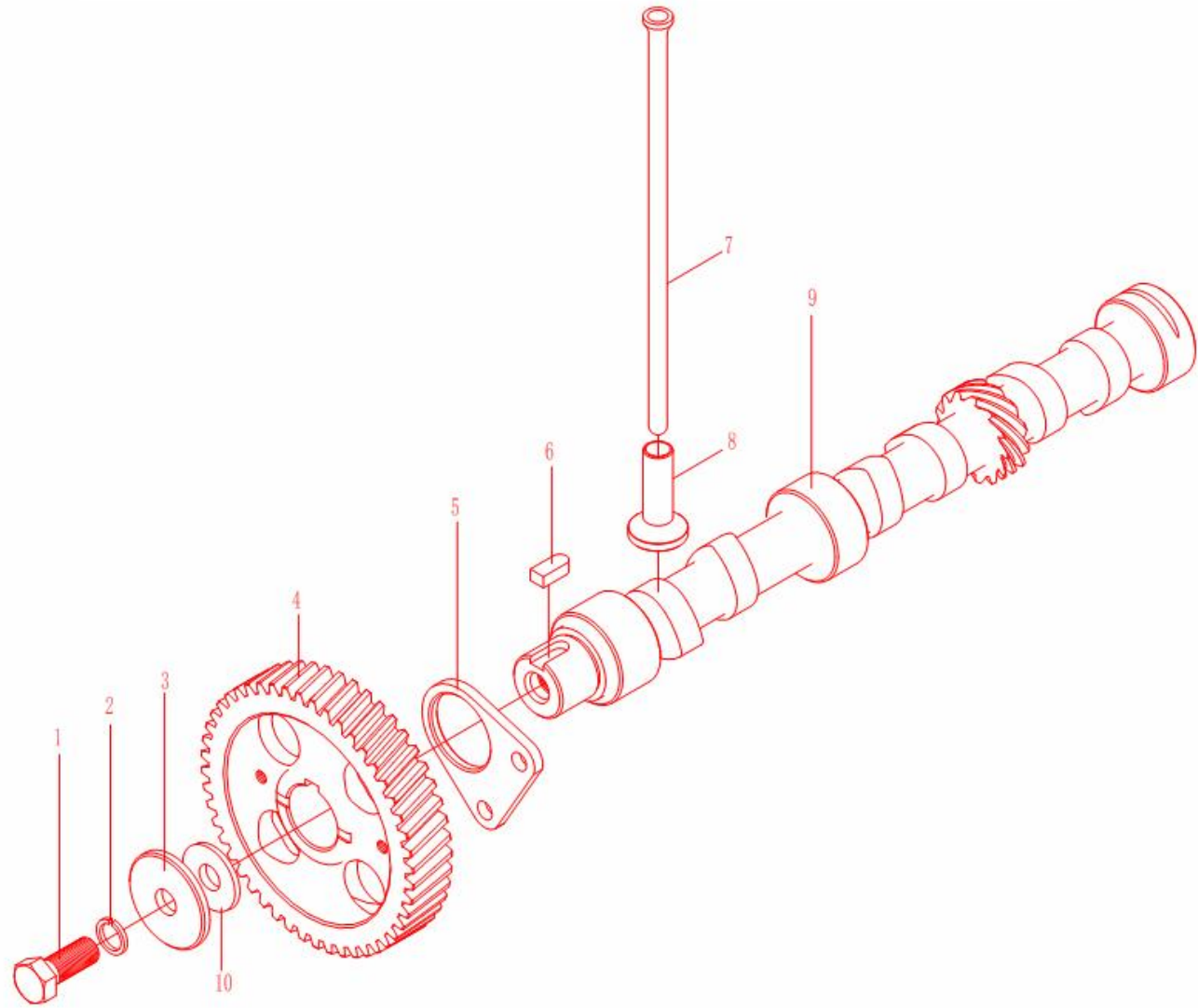
标号 No.	代号 Code	名称 Description		数量 Quantity	备注 Remark
1	GBT812-M24X1.5	圆螺母	NUT	2	2011-11_
10	FT250.37.110	二轴前止推环	SHAFT-2 FRONT THRUST RING	1	2004-01_
10	FT250.37.110a	二轴前止推环	SHAFT-2 FRONT THRUST RING	1	2011-08_
11	GBT894.1-55	轴用弹性挡圈	SNAP RING	1	2011-11_
12	TE300.371-03	II 档从动齿轮	II DRIVEN GEAR	1	2011-11_
13	TE300.371-04	I 档从动齿轮	I DRIVEN GEAR	1	2011-11_
14	TE250.371C-01	隔套	AIR INTCKE PIPE	1	2011-11_
15	JBT7918-K28X33X27	向心滚针和保持架组件	NEEDLE AND CARRIER UNIT	2	2011-01_
16	TE250.371B-02	III-IV档从动齿轮	III-IV DRIVEN GEAR	1	2011-11_
17	FT250.37.105	长隔套	LONG SPACER BUSH	1	2004-01_
17	FT250.37.105	长隔套	LONG SPACER BUSH	1	2004-01_
17	FT250.37.105a	长隔套	LONG SPACER BUSH	1	2011-08_
18	FT250.37.104	二轴后止推环	SHAFT-2 REAR THRUST RING	1	2004-01_
18	FT250.37.104a	二轴后止推环	SHAFT-2 REAR THRUST RING	1	2011-08_
19	FT250.37.103a	高低档滑动齿轮	HIGH AND LOW GEAR SLIDING GEAR	1	2011-08_
19	FT250.37.103	高低档滑动齿轮	HIGH AND LOW GEAR SLIDING GEAR	1	2004-01_
2	GBT858-24	圆螺母用止动垫圈	THRUST RING	1	2011-11_
20	GBT894.1-34	轴用弹性挡圈	SNAP RING	1	2011-11_
21	TE250.371C-02	圆柱滚子轴承	BEARING,BALL	1	2011-11_
21	GBT283-NUP2207E	圆柱滚子轴承	BEARING,BALL	1	2004-01_
22	TE250.371B-01a	二轴	SECOND SHAFT	1	2011-08_
22	TE250.371B-01	二轴	SECOND SHAFT	1	2004-01_
23	FT250.37.111a	倒档轴	REVERSING GEAR SHAFT	1	2011-11_
23	FT250.37.111a	倒档轴	REVERSING GEAR SHAFT	1	2011-11_
24	TE300.371A.1	倒档齿轮总成	REVERSE GEAR ASSEMBLY	1	2011-11_

TE250.371E 传动箱总成-2



TE250.371E-2 传动箱总成-2(续)

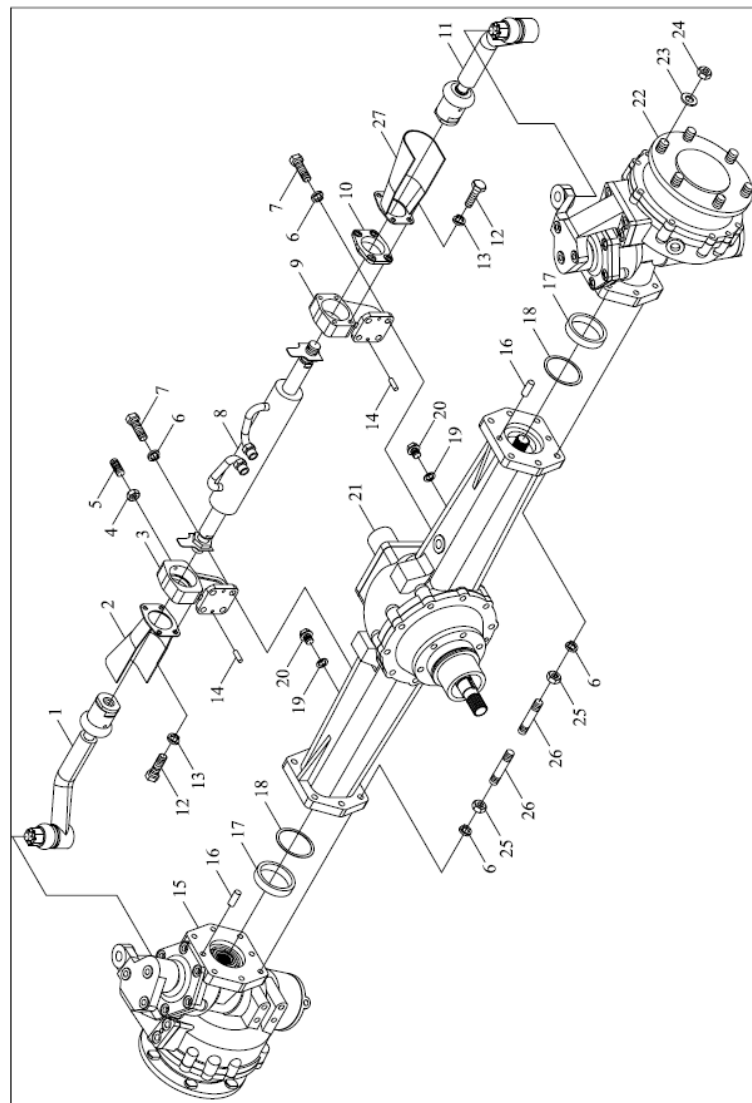
标号 No.	代号 Code	名称 Description		数量 Quantity	备注 Remark
24.1	GBT895.1-26	轴用钢丝挡圈	SNAP RING	2	2011-11_
24.2	FT250.37.331	滚针隔套	NEEDLE SPACER BUSH	2	2011-11_
24.4	TE300.371A.1-01	倒档齿轮	GEAR,REVERSE	1	2011-11_
2403	QSFZB019-K20X26X34ZW	滚针轴承	BEARING,NEEDLE	1	
25	FT250.37.237	分动箱口堵盖	TRANSFER CASE BLOCK COVER	1	2011-11_
26	FT65.38.026	油塞总成	Oil Plug assembly	1	2011-11_
26	FT65.38.026	油塞总成	Oil Plug assembly	1	2011-11_
3	GBT297-31305	圆锥滚子轴承	BEARING	2	2011-11_
4	FT250.37.121	二轴前轴承座	SHAFT-2 FRONT BEARING SEAT	1	2011-11_
5	GBT5783-M10X25-A3L	螺栓	BOLT	8	2011-11_
6	GBT93-10-A0P	标准型弹簧垫圈	PLAIN WASHER-LARGE SSRIE	8	2011-11_
7	FT250.37.122	二轴调整垫片	SHAFT-2 ADJUSTING WASHER	999	2011-11_
8	FT250.37.123	二轴调整垫片	SHAFT-2 ADJUSTING WASHER	999	2011-11_
9	GBT1096-14X9X56	平键	FLAT KEY	1	2011-11_



KM385BT-1E1-06 凸轮轴总成 CAMSHAFT ASSEMBLY

标号 No.	代号 Code	名称 Description		数量 Quantity	备注 Remark
1	GBT5783-M12X35	螺栓	BOLT	1	
10	KM385T-02013	凸轮轴正时齿轮压板	CAMSHAFT TIMING GEAR PRESSURE PLATE	1	
10	KM385T-02013	凸轮轴正时齿轮压板	CAMSHAFT TIMING GEAR PRESSURE PLATE	1	
2	GBT93-12	垫圈	WAHSER	1	
3	KM385T-02012	凸轮轴齿轮挡圈 (I)	CAMSHAFT GEAR CIRCLIP	1	
4	KM385T-02003	凸轮轴正时齿轮	CAMSHAFT TIMING GEAR	1	
5	L375-02002	凸轮轴止推板	CAMSHAFT THRUST PLATE	1	
6	GBT1096-C8X18	平键	FLAT KEY	1	
7	LL480-02003	推杆	PUSH ROD	6	
8	L375-02005	挺柱	TAPPET	6	
9	L375-02001	凸轮轴	CAMSHAFT	1	
9	L375-02001	凸轮轴	CAMSHAFT	1	

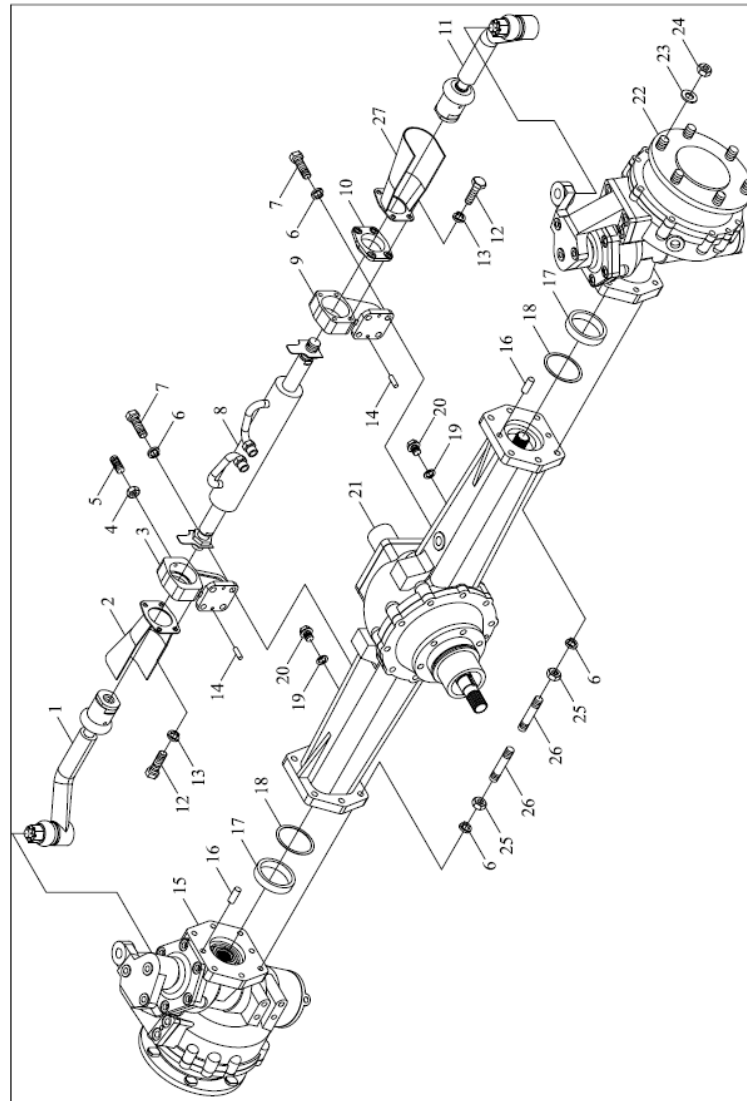
TE254.311G 前驱动桥总成-1



TE254.311G-1 前驱动桥总成-1 FRONT DRIVING AXLE ASSEMBLY-1

标号 No.	代号 Code	名称 Description		数量 Quantity	备注 Remark
1	TE254.311G.5	左转向横拉杆总成	LEFT STEERING HORIZONTAL PULL ROD	1	2011-11_
10	TE254.311G-01	座盖	ASSEMBLY	1	2011-11_
11	TE254.311G.6	右转向横拉杆总成	SEAT COVER	1	2011-11_
12	GBT5783-M8X20-A2L	螺栓	RIGHT STEERING CROSS PULL ROD ASSEMBLY	8	2011-11_
13	GBT93-8-A0P	垫圈	BOLT WAHSER	8	2011-11_
14	GBT119.1-6h8X14-A0P	圆柱销		4	2011-11_
15	TE254.311G.1	左侧传动总成	PIN	1	2011-11_
16	GBT119.1-10h8X20-A0P	圆柱销	LEFT TRANSMISSION ASSEMBLY	4	2011-11_
17	FT254.31F.123	定位套	PIN	2	2011-11_
18	FT254.31F.124	调整垫	LOCATING SLEEVE ADJUSTMENT WASHER	1	2011-11_
19	JB982-14	组合垫圈		2	2011-11_
19	JB982-14	组合垫圈	COMBINATION GASKET	2	2011-11_
2	TE254.311J.6	油缸护罩焊合(左)	COMBINATION GASKET	1	2011-11_
20	Q617B	六角头螺塞14	OIL CYLINDER BONNET WELDMENT (LEFT)	2	2011-11_
21	TE254.311G.3	主减速箱总成	HEXAGON SCREW PLUG 14 MAIN REDUCER BOX ASSEMBLY	1	2011-11_
22	TE254.311G.2	右侧传动总成		1	2011-11_
23	GBT97.1-14-A0P	垫圈14-A0P	RIGHT TRANSMISSION ASSEMBLY	12	2011-11_
24	GBT6176-M14X1.5-A3L	2型六角螺母	WASHER	12	2011-11_
25	GBT6171-M10X1.25-A2L	1型六角螺母	NUT	12	2011-11_
25	GBT6171-M10X1.25-A2L	1型六角螺母	HEXAGON NUT, TYPE-1 HEXAGON NUT, TYPE-1	12	2011-11_
26	GBT899-AM10-M10X1.25X35-8.8-A2L	双头螺柱		12	2011-11_
27	TE254.311J.7	油缸护罩焊合(右)	STANDARD SPING GASKET	1	2011-11_
3	TE254.311G-03	油缸固定座 II	OIL CYLINDER BONNET WELDMENT (RIGHT)	1	2011-11_
4	GBT6174-M6-A2L	六角薄螺母	OIL CYLINDER FIXING SEAT II	1	2011-11_
5	GBT71-M6X20	开槽锥端紧定螺钉	HEXAGON THIN NUT	1	2011-11_

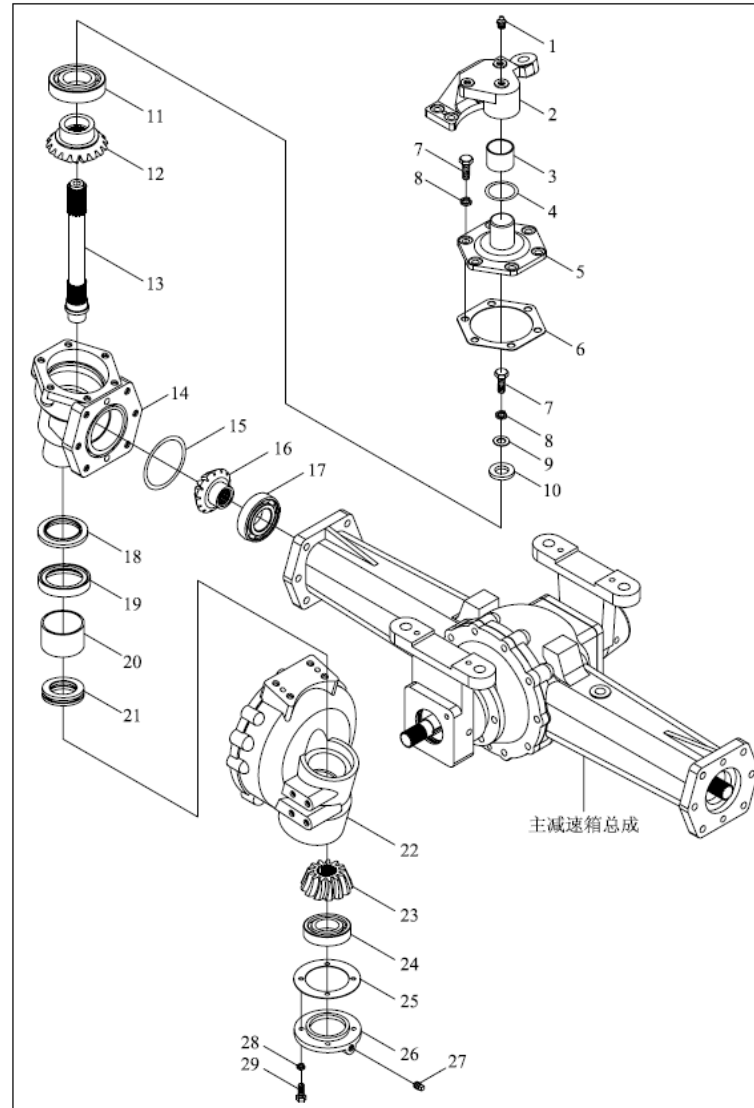
TE254.311G 前驱动桥总成-1



TE254.311G-1 前驱动桥总成-1(续)

标号 No.	代号 Code	名称 Description		数量 Quantity	备注 Remark
6	GBT93-10-A0P	标准型弹簧垫圈	PLAIN WASHER-LARGE SSRIE	20	2011-11_
7	GBT5783-M10X25-A3L	螺栓	BOLT	8	2011-11_
8	TE254.311G.4	液压缸总成	HYDRAULIC CYLINDER ASSEMBLY	1	2011-11_
9	TE254.311G-02	油缸固定座	OIL CYLINDER FIXING SEAT	1	2011-11_

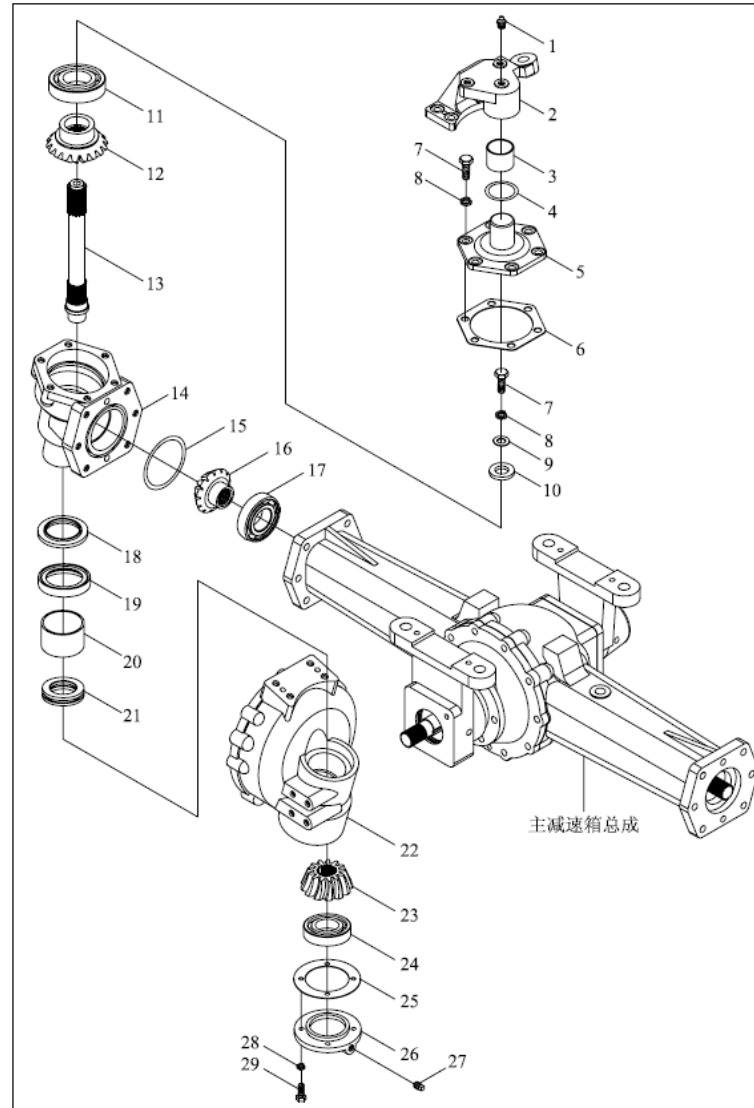
TE254.311G 前驱动桥总成-2.1



TE254.311G-2.1 前驱动桥总成-2.1 FRONT DRIVING AXLE ASSEMBLY-2.1

标号 No.	代号 Code	名称 Description		数量 Quantity	备注 Remark
0	TE254.311G.1	左侧传动总成	LEFT TRANSMISSION ASSEMBLY	1	2011-11_
1	JBT7940.1-M10X1	直通式压注油杯	STRAIGHT PRESSURE FILLING OIL CUP	1	2011-11_
10	FT254.31F.106	垫	WASHER	1	2011-11_
11	GBT276-6210	深沟球轴承	BEARING	1	2011-11_
12	FT254.31F.108	半轴大齿轮	HALF SHAFT BIG GEAR	1	2011-11_
13	FT254.31F.119	末端销轴	END PIN SHAFT	1	2011-11_
14	TE254.311G.1-02	转向节壳体	STEERING BURL HOUSING	1	2011-11_
15	JBT3452.1-80X2.65G	O形圈	O RING SEAL	1	2011-11_
15	JBT3452.1-80X2.65G	O形圈	O RING SEAL	1	2011-11_
16	FT254.31F.101	半轴小齿轮	HALF SHAFT PINION	1	2011-11_
17	GBT276-6207	轴承	BEARING TAPER ROLLER	1	2011-11_
18	FT254.31F.113	防尘圈	DUSTPROOF RING	1	2011-11_
19	GBT9877.1-B507210D	油封	OIL SEAL	1	2011-11_
2	TE254.311G.1-01	左转向支撑	LEFT STEERING SUPPORT	1	2011-11_
20	FT254.31F.122	滑动轴套	SLIDING BUSHING	1	2011-11_
21	GBT301-51106	推力球轴承	HANDSPIKE BALL BEARING	1	2011-11_
22	FT254.31F.120	左末端壳体	LEFT END HOUSING	1	2004-01_
22	FT254.31F.120a	左末端壳体	LEFT END HOUSING	1	2010-11_
23	FT254.31F.118	末端小齿轮	END PINION	1	2004-01_
23	FT254.31F.118a	末端小齿轮	END PINION	1	2010-11_
24	GBT276-6305	轴承	BEARING TAPER ROLLER	1	2011-11_
25	FT254.31F.117	调整垫	ADJUSTMENT WASHER	1	2011-11_
25	FT254.31F.117	调整垫	ADJUSTMENT WASHER	1	2011-11_
26	FT254.31F.116	底端盖	BOTTOM END COVER	1	2011-11_
27	Q614B01	方头锥形螺塞	SQUARE HEAD TAPERED SCREW PLUG	1	2011-11_

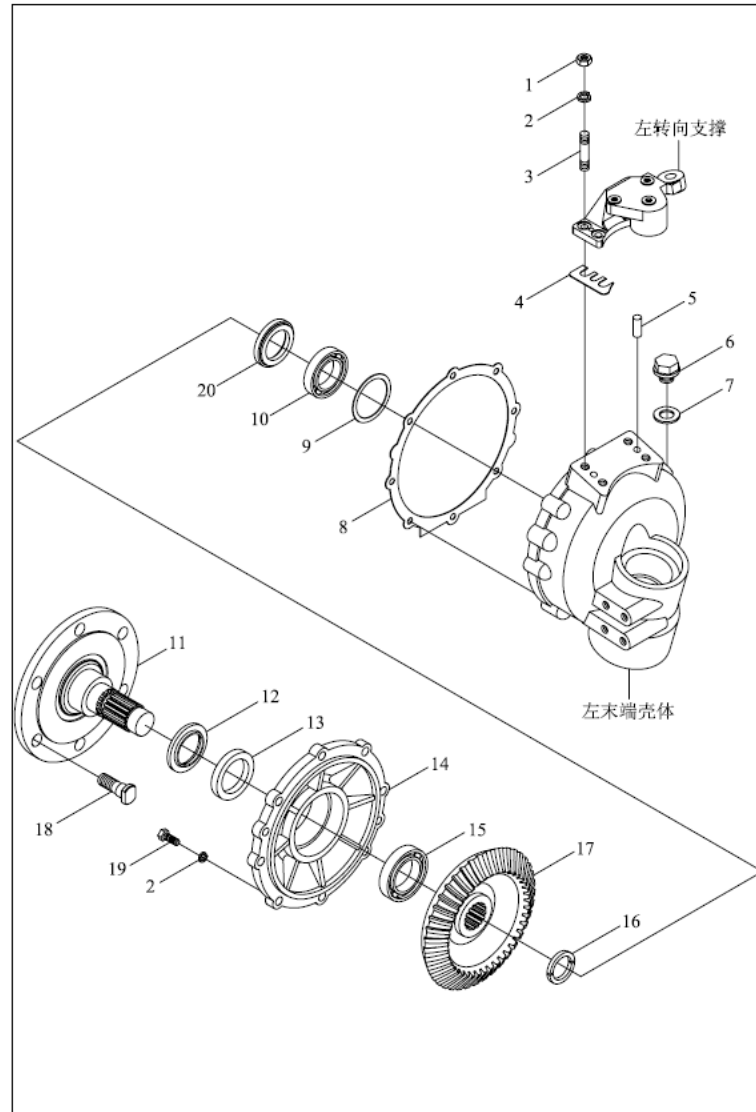
TE254.311G 前驱动桥总成-2.1



TE254.311G-2.1 前驱动桥总成-2.1(续)

标号 No.	代号 Code	名称 Description		数量 Quantity	备注 Remark
27	Q614B01	方头锥形螺塞	SQUARE HEAD TAPERED SCREW PLUG	1	2011-11_
28	GBT93-6	垫圈	WAHSER	4	2011-11_
29	GBT5783-M6X20-A2L	螺栓	BOLT	4	2011-11_
3	FT254.31F.104	滑动轴套	SLIDING BUSHING	1	2011-11_
4	GBT3452.1-34.5X3.55G	液压气动用O形橡胶密封圈	O-SEAL RING	1	2011-11_
5	FT254.31F.105	转向轴座	STEERING SHAFT SEAT	1	2011-11_
6	FT254.31F.102	密封垫	COVER	1	2011-11_
7	GBT5783-M10X25-A3L	螺栓	BOLT	7	2011-11_
8	GBT93-10-A0P	标准型弹簧垫圈	PLAIN WASHER-LARGE SSRIE	7	2011-11_
9	GBT96.1-10-A0P	大垫圈	BIG WASHER	1	2011-11_

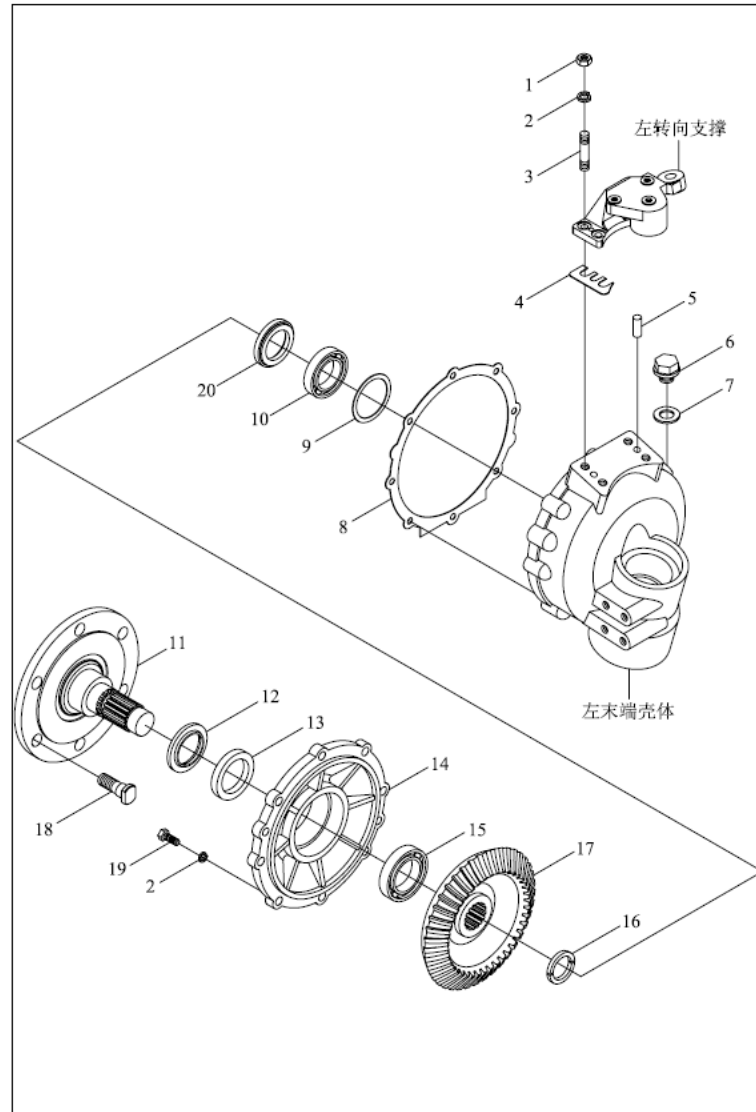
TE254.311G 前驱动桥总成-2.2



TE254.311G-2.2 前驱动桥总成-2.2 FRONT DRIVING AXLE ASSEMBLY-2.2

标号 No.	代号 Code	名称 Description		数量 Quantity	备注 Remark
0	TE254.311G.1	左侧传动总成	LEFT TRANSMISSION ASSEMBLY	1	2011-11_
1	GBT6171-M10X1.25-A2L	1型六角螺母	HEXAGON NUT, TYPE-1	4	2011-11_
1	GBT6171-M10X1.25-A2L	1型六角螺母	HEXAGON NUT, TYPE-1	4	2011-11_
10	GBT276-6206	深沟球轴承	BEARING	1	2011-11_
11	FT254.31F.111	前驱动轴	FRONT DRIVING SHAFT	1	2004-01_
11	FT254.31F.111a	前驱动轴	FRONT DRIVING SHAFT	1	2008-04_
12	FT254.31F.113	防尘圈	DUSTPROOF RING	1	2011-11_
13	GBT9877.1-B507210D	油封	OIL SEAL	1	2011-11_
14	FT254.31F.109	末端大盖	END BIG COVER	1	2011-11_
15	GBT276-6307	深沟球轴承	BEARING	1	2011-11_
16	FT254.31F.112	钢丝挡圈	SNAP RING	1	2004-01_
16	FT254.31F.112a	钢丝挡圈	SNAP RING	1	2008-04_
17	FT254.31F.110a	末端大齿轮	END BIG GEAR	1	2008-04_
17	FT254.31F.110b	末端大齿轮	END BIG GEAR	1	2010-11_
17	FT254.31F.110	末端大齿轮	END BIG GEAR	1	2004-01_
17	FT254.31F.110	末端大齿轮	END BIG GEAR	1	2004-01_
18	FT254.31F.177	滚花螺栓	BOLT	6	2011-11_
19	GBT5783-M10X30-A3L	螺栓	BOLT	8	2011-11_
2	GBT93-10-A0P	标准型弹簧垫圈	PLAIN WASHER-LARGE SSRIE	12	2011-11_
20	FT254.31F.178	定位环	LOCATING RING	1	2011-11_
3	GBT899-AM10-M10X1.25X30-8.8-A2L	双头螺柱	STANDARD SPING GASKET	4	2011-11_
4	FT254.31F.107	调整垫	ADJUSTMENT WASHER	2	2011-11_
5	GBT119.2-B8X20-A0P	圆柱销	PIN	2	2011-11_
6	FT254.31F.175	螺塞	SCREW PLUG	1	2011-11_
7	FT254.31F.176	垫圈	WAHSER	1	2011-11_

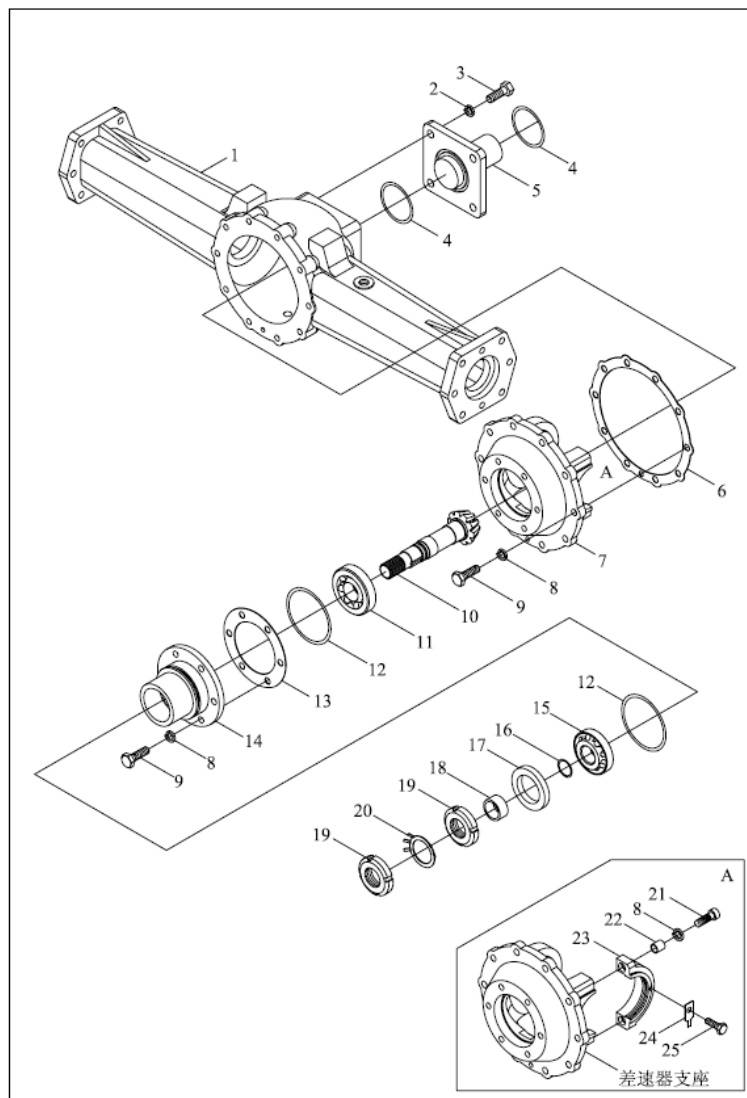
TE254.311G 前驱动桥总成-2.2



TE254.311G-2.2 前驱动桥总成-2.2(续)

标号 No.	代号 Code	名称 Description		数量 Quantity	备注 Remark
8	FT254.31F.114	调整垫	ADJUSTMENT WASHER	1	2011-11_
9	FT254.31F.115	调整垫	ADJUSTMENT WASHER	1	2011-11_

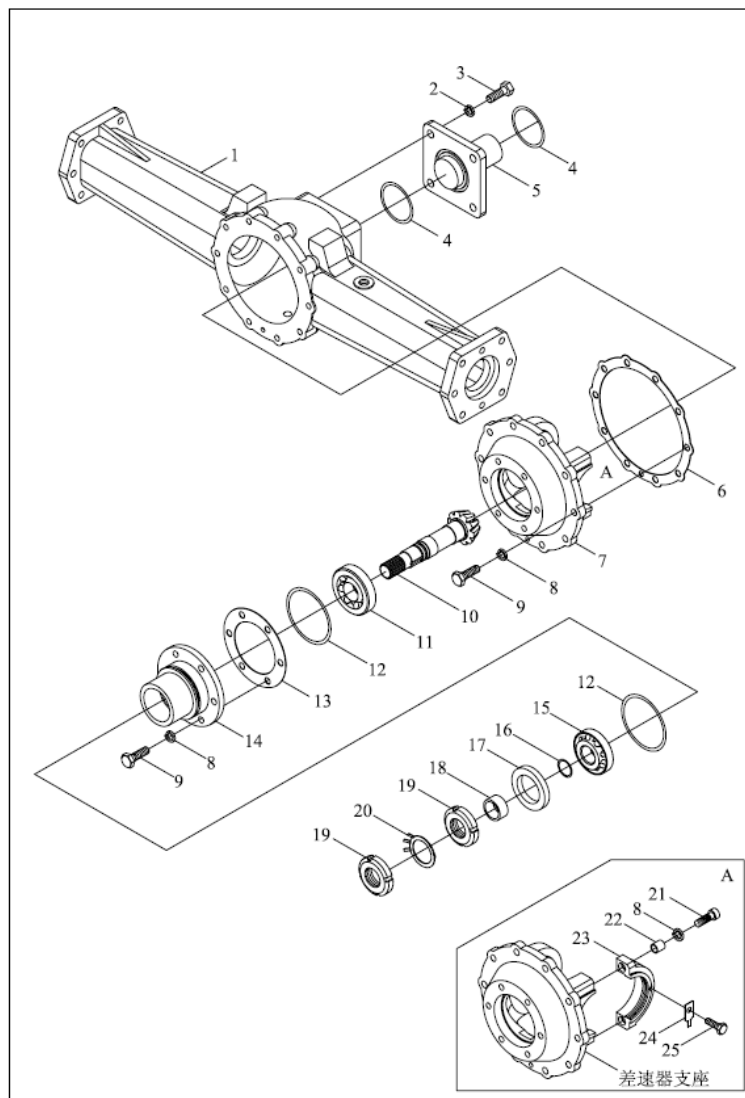
TE254.311G 前驱动桥总成-3.1



TE254.311G-3.1 前驱动桥总成-3.1 FRONT DRIVING AXLE ASSEMBLY-3.1

标号 No.	代号 Code	名称 Description		数量 Quantity	备注 Remark
0	TE254.311G.3	主减速箱总成	MAIN REDUCER BOX ASSEMBLY	1	2011-11_
1	TE254.311G.3-04	主减速箱壳体	MAIN REDUCER BOX HOUSING	1	2011-11_
10	FT254.31F.127	输入螺旋伞齿轮轴	INPUT SPIRAL BEVEL GEAR SHAFT	1	2011-11_
11	GBT297-31306	圆锥滚子轴承	BEARING	1	2011-11_
11	GBT297-31306	圆锥滚子轴承	BEARING	1	2011-11_
12	GBT3452.1-73.0X3.55G	液压气动用O形橡胶密封圈	O-SEAL RING	2	2011-11_
13	FT254.31F.131	调整垫	ADJUSTMENT WASHER	1	2011-11_
14	FT254.31F.130	后支撑轴	REAR SUPPORT SHAFT	1	2011-11_
15	GBT297-32006	轴承	BEARING TAPER ROLLER	1	2011-11_
16	GBT3452.1-23.6X2.65G	液压气动用O形橡胶密封圈	O-SEAL RING	1	2011-11_
17	GBT9877.1-FB35X55X8B	内包骨架旋转轴唇形密封	O RING	1	2011-11_
18	FT254.31F.128	油封衬套	OIL SEAL BUSH	1	2011-11_
19	GBT810-M27X1.5	小圆螺母	NUT	2	2011-11_
2	GBT93-12-AOP	垫圈	WAHSER	4	2011-11_
20	GBT858-27	垫圈	WAHSER	1	2011-11_
21	GBT70.1-M10X40	内六角圆柱头螺钉	INNER HEXAGON SCREW	2	2011-11_
22	FT254.31F.152	定位套	LOCATING SLEEVE	2	2011-11_
23	FT254.31F.139	轴承固定套	BEARING FIXING SLEEVE	1	2011-11_
23	FT254.31F.139	轴承固定套	BEARING FIXING SLEEVE	1	2011-11_
24	FT254.31F.141	止动垫片	THRUST WASHER	1	2011-11_
25	GBT5783-M8X16-A2L	螺栓	BOLT	1	2011-11_
3	GBT5783-M12X30-A3L	螺栓	BOLT	4	2011-11_
4	GBT3452.1-63.0X3.55G	液压气动用O形橡胶密封圈	O-SEAL RING	2	2011-11_
5	TE254.311G.3-02	前支撑轴	FRONT SUPPORT SHAFT	1	2011-11_
6	FT254.31F.132	调整垫	ADJUSTMENT WASHER	1	2011-11_

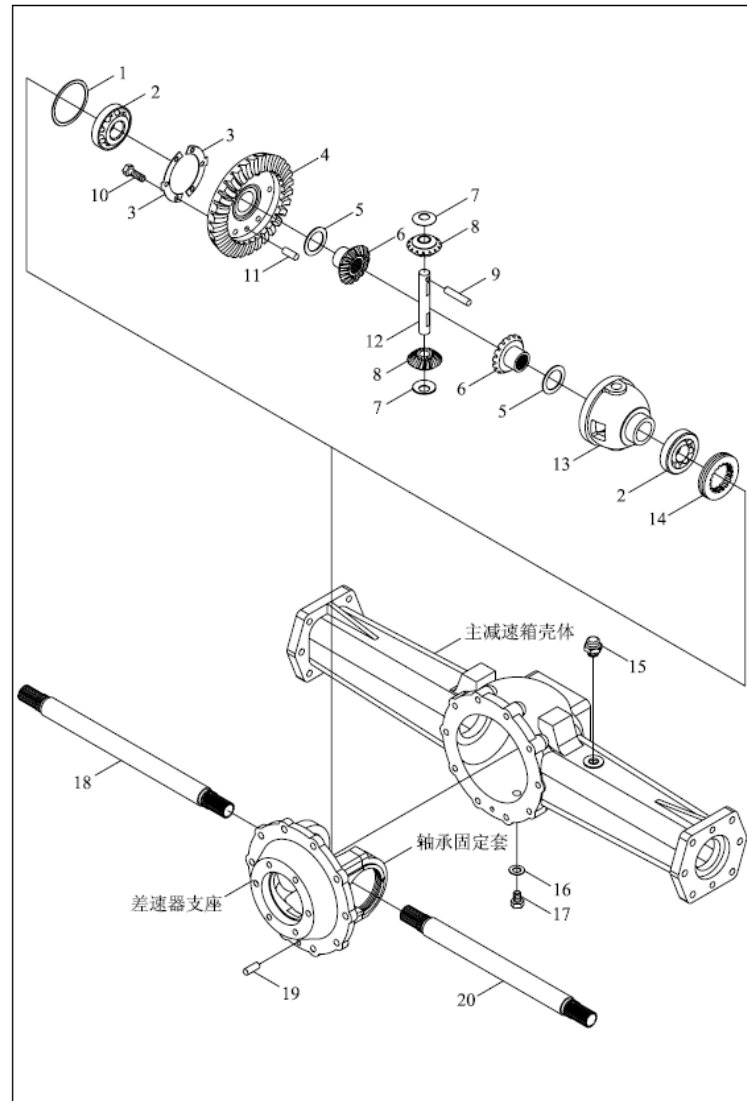
TE254.311G 前驱动桥总成-3.1



TE254.311G-3.1 前驱动桥总成-3.1(续)

标号 No.	代号 Code	名称 Description		数量 Quantity	备注 Remark
7	TE254.311G.3-01	差速器支座	DIFFERENTIAL SEAT	1	2011-11_
8	GBT93-10-AOP	垫圈	WAHSER	18	2011-11_
9	GBT5783-M10X30-A3L	螺栓	BOLT	16	2011-11_

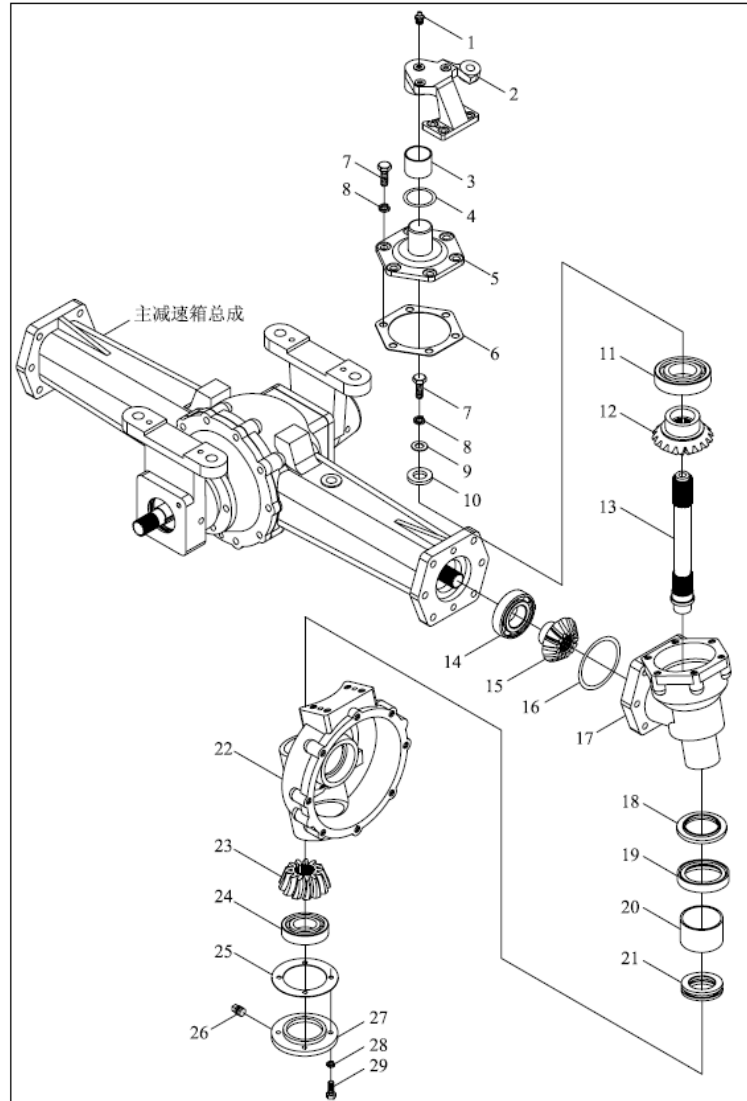
TE254.311G 前驱动桥总成-3.2



TE254.311G-3.2 前驱动桥总成-3.2 FRONT DRIVING AXLE ASSEMBLY-3.2

标号 No.	代号 Code	名称 Description		数量 Quantity	备注 Remark
0	TE254.311G.3	主减速箱总成	MAIN REDUCER BOX ASSEMBLY	1	2011-11_
1	FT254.31F.134	调整垫	ADJUSTMENT WASHER	1	2011-11_
10	GBT5783-M8X25-A2L	螺栓	BOLT	6	2011-11_
11	GBT119.2-8X20-A0P	圆柱销	PIN	1	2011-11_
12	FT254.31F.145	差速器销轴	DIFFERENTIAL PIN SHAFT	1	2011-11_
13	FT254.31F.149	差速器壳体	DIFFERENTIAL HOUSING	1	2011-11_
14	FT254.31F.140	调整螺母	NUT	1	2011-11_
15	TE254.311A.1.1	钢球式通气塞	STEEL BALL VENTILATION PLUG	1	2011-11_
16	FT304.42.118	垫圈	WAHSER	1	2011-11_
17	Q617B12	六角头螺塞	SCREW PLUG	1	2011-11_
18	FT254.31F.142	左半轴	LEFT HALF SHAFT	1	2011-11_
18	FT254.31F.142	左半轴	LEFT HALF SHAFT	1	2011-11_
19	GBT119.2-8X18-A0P	圆柱销	PIN	1	2011-11_
2	GBT297-32009	轴承	BEARING TAPER ROLLER	2	2011-11_
20	FT254.31F.151	右半轴	RIGHT HALF SHAFT	1	2011-11_
3	FT254.31F.135	止动垫片	THRUST WASHER	2	2011-11_
4	FT254.31F.144	大螺伞齿轮	BIG BEVEL GEAR	1	2011-11_
5	FT254.31F.148	平垫圈	FLAT WASHER	2	2011-11_
6	FT254.31F.143	差速器大齿轮	DIFFERENTIAL BIG GEAR	2	2011-11_
7	FT254.31F.146	球面垫圈	SPHERICAL WASHER	2	2011-11_
8	FT254.31F.147	行星齿轮	PLANET GEAR	2	2011-11_
9	GBT119.1-8m6X40-A0P	圆柱销	PIN	1	2011-11_

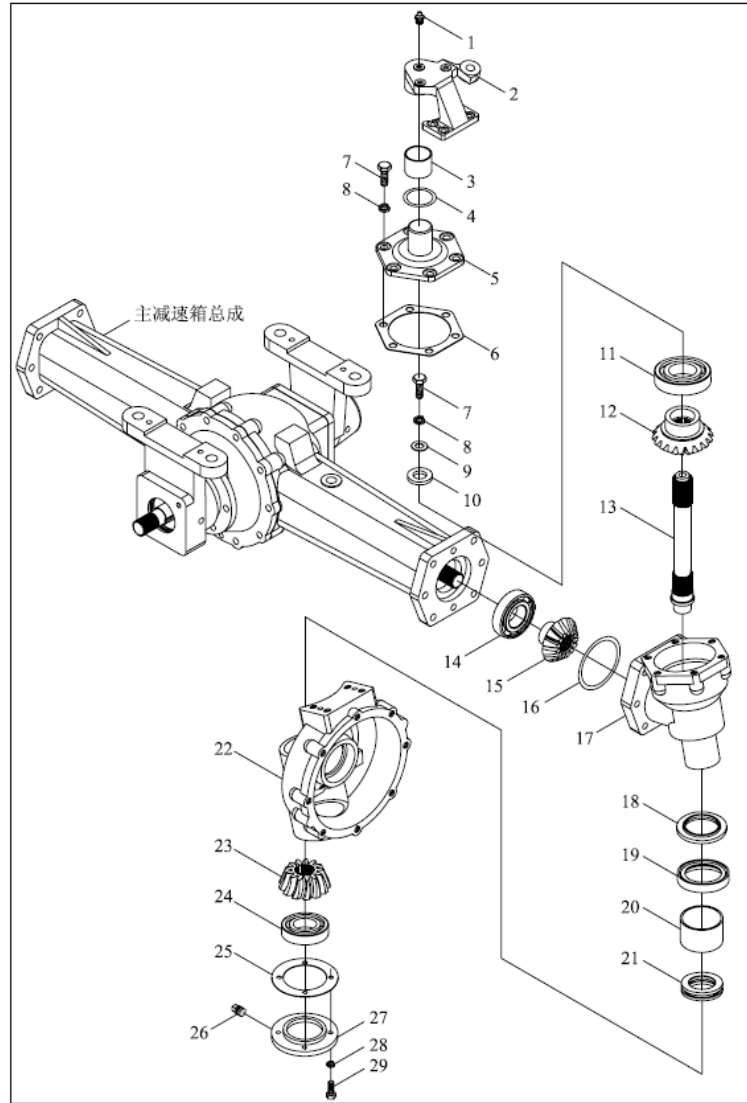
TE254.311G 前驱动桥总成-4.1



TE254.311G-4.1 前驱动桥总成-4.1 FRONT DRIVING AXLE ASSEMBLY-4.1

标号 No.	代号 Code	名称 Description		数量 Quantity	备注 Remark
0	TE254.311G.2	右侧传动总成	RIGHT TRANSMISSION ASSEMBLY	1	2011-11_
1	JBT7940.1-M10X1	直通式压注油杯	STRAIGHT PRESSURE FILLING OIL CUP	1	2011-11_
10	FT254.31F.106	垫	WASHER	1	2011-11_
11	GBT276-6210	深沟球轴承	BEARING	1	2011-11_
12	FT254.31F.108	半轴大齿轮	HALF SHAFT BIG GEAR	1	2011-11_
13	FT254.31F.119	末端销轴	END PIN SHAFT	1	2011-11_
14	GBT276-6207	轴承	BEARING TAPER ROLLER	1	2011-11_
15	FT254.31F.101	半轴小齿轮	HALF SHAFT PINION	1	2011-11_
16	JBT3452.1-80X2.65G	O形圈	O RING SEAL	1	2011-11_
16	JBT3452.1-80X2.65G	O形圈	O RING SEAL	1	2011-11_
17	TE254.311G.1-02	转向节壳体	STEERING BURL HOUSING	1	2011-11_
18	FT254.31F.113	防尘圈	DUSTPROOF RING	1	2011-11_
19	GBT9877.1-B507210D	油封	OIL SEAL	1	2011-11_
2	TE254.311G.2-01	右转向支撑	RIGHT STEERING SUPPORT	1	2011-11_
20	FT254.31F.122	滑动轴套	SLIDING BUSHING	1	2011-11_
21	GBT301-51106	推力球轴承	HANDSPIKE BALL BEARING	1	2011-11_
22	FT254.31F.155	右末端壳体	RIGHT END HOUSING	1	2004-01_
22	FT254.31F.155a	右末端壳体	RIGHT END HOUSING	1	2010-11_
23	FT254.31F.118	末端小齿轮	END PINION	1	2004-01_
23	FT254.31F.118a	末端小齿轮	END PINION	1	2010-11_
24	GBT276-6305	轴承	BEARING TAPER ROLLER	1	2011-11_
25	FT254.31F.117	调整垫	ADJUSTMENT WASHER	1	2011-11_
25	FT254.31F.117	调整垫	ADJUSTMENT WASHER	1	2011-11_
26	Q614B01	方头锥形螺塞	SQUARE HEAD TAPERED SCREW PLUG	1	2011-11_
26	Q614B01	方头锥形螺塞	SQUARE HEAD TAPERED SCREW PLUG	1	2011-11_

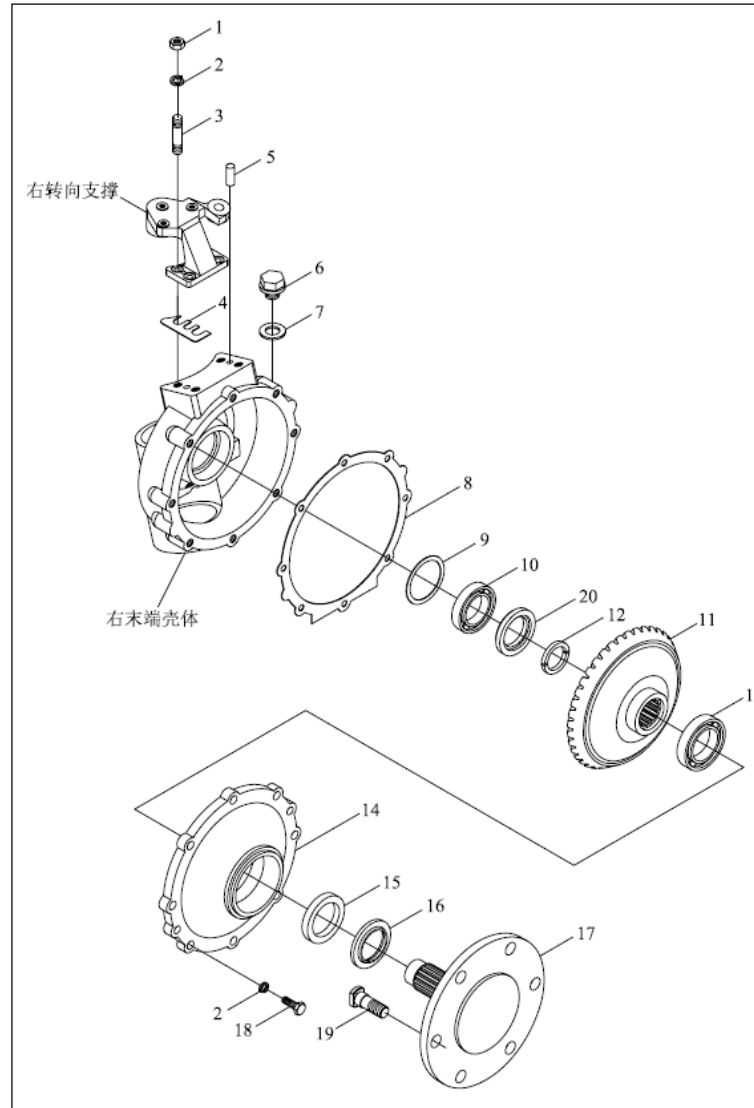
TE254.311G 前驱动桥总成-4.1



TE254.311G-4.1 前驱动桥总成-4.1(续)

标号 No.	代号 Code	名称 Description		数量 Quantity	备注 Remark
27	FT254.31F.116	底端盖	BOTTOM END COVER	1	2011-11_
28	GBT93-6	垫圈	WAHSER	4	2011-11_
29	GBT5783-M6X20-A2L	螺栓	BOLT	4	2011-11_
3	FT254.31F.104	滑动轴套	SLIDING BUSHING	1	2011-11_
4	JB3452.1-34.5X3.55G	O形圈	O RING SEAL	1	2011-11_
5	FT254.31F.105	转向轴座	STEERING SHAFT SEAT	1	2011-11_
6	FT254.31F.102	密封垫	COVER	1	2011-11_
7	GBT5783-M10X25-A3L	螺栓	BOLT	7	2011-11_
8	GBT93-10	垫圈10	WASHER 10	7	2011-11_
9	GBT96.1-10-A0P	大垫圈	BIG WASHER	1	2011-11_

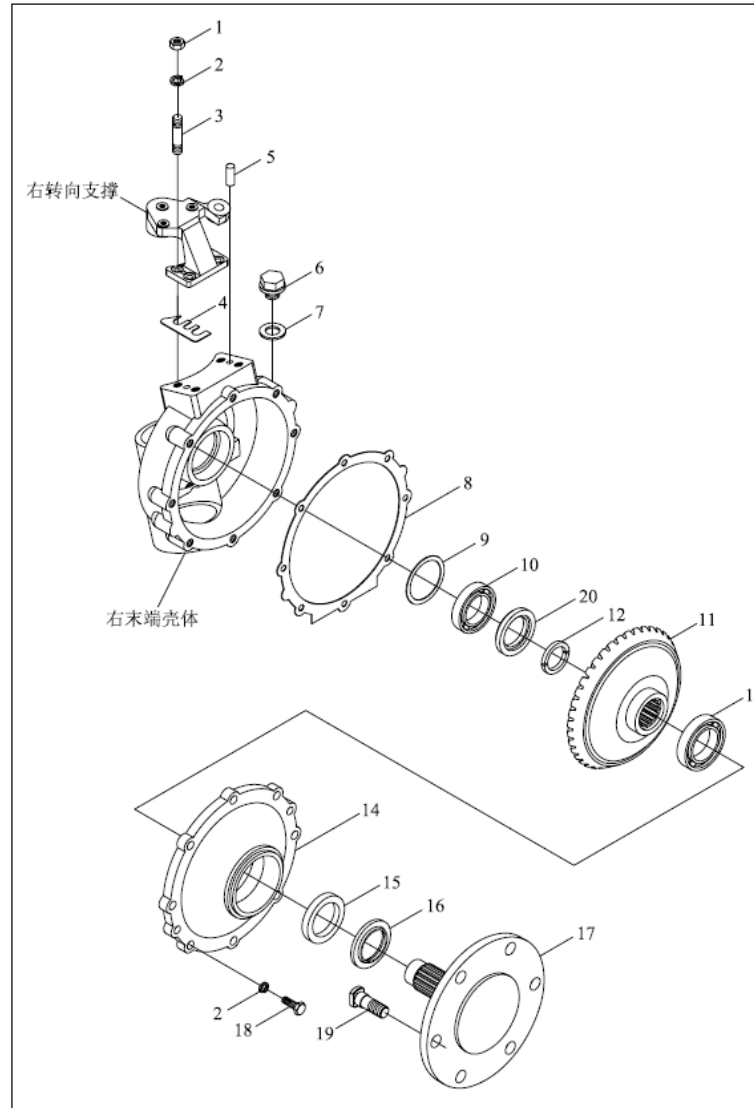
TE254.311G 前驱动桥总成-4.2



TE254.311G-4.2 前驱动桥总成-4.2 FRONT DRIVING AXLE ASSEMBLY-4.2

标号 No.	代号 Code	名称 Description		数量 Quantity	备注 Remark
0	TE254.311G.2	右侧传动总成	RIGHT TRANSMISSION ASSEMBLY	1	2011-11_
1	GBT6171-M10X1.25-A2L	1型六角螺母	HEXAGON NUT, TYPE-1	4	2011-11_
1	GBT6171-M10X1.25-A2L	1型六角螺母	HEXAGON NUT, TYPE-1	4	2011-11_
10	GBT276-6206	深沟球轴承	BEARING	1	2011-11_
11	FT254.31F.110	末端大齿轮	END BIG GEAR	1	2004-01_
11	FT254.31F.110b	末端大齿轮	END BIG GEAR	1	2010-11_
11	FT254.31F.110a	末端大齿轮	END BIG GEAR	1	2008-04_
11	FT254.31F.110	末端大齿轮	END BIG GEAR	1	2004-01_
12	FT254.31F.112a	钢丝挡圈	SNAP RING	1	2008-04_
12	FT254.31F.112	钢丝挡圈	SNAP RING	1	2004-01_
13	GBT276-6307	深沟球轴承	BEARING	1	2011-11_
14	FT254.31F.109	末端大盖	END BIG COVER	1	2011-11_
15	GBT9877.1-B507210D	油封	OIL SEAL	2	2011-11_
16	FT254.31F.113	防尘圈	DUSTPROOF RING	2	2011-11_
17	FT254.31F.111	前驱动轴	FRONT DRIVING SHAFT	1	2004-01_
17	FT254.31F.111a	前驱动轴	FRONT DRIVING SHAFT	1	2008-04_
18	GBT5783-M10X30-A3L	螺栓	BOLT	8	2011-11_
19	FT254.31F.177	滚花螺栓	BOLT	6	2011-11_
2	GBT93-10	垫圈10	WASHER 10	12	2011-11_
20	FT254.31F.178	定位环	LOCATING RING	1	2011-11_
3	GBT899-AM10-M10X1.25X30-8.8-A2L	双头螺柱	STANDARD SPING GASKET	4	2011-11_
4	FT254.31F.107	调整垫	ADJUSTMENT WASHER	2	2011-11_
5	GBT119.2-B8X20-A0P	圆柱销	PIN	2	2011-11_
6	FT254.31F.175	螺塞	SCREW PLUG	1	2011-11_
7	FT254.31F.176	垫圈	WAHSER	1	2011-11_

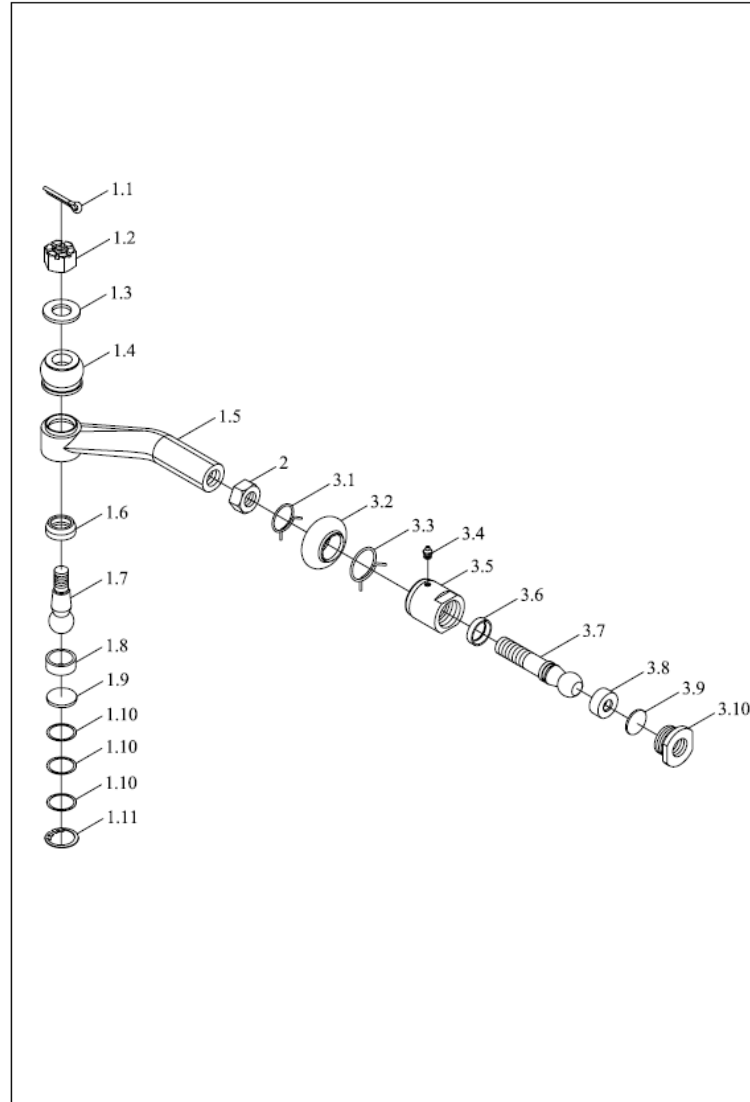
TE254.311G 前驱动桥总成-4.2



TE254.311G-4.2 前驱动桥总成-4.2(续)

标号 No.	代号 Code	名称 Description		数量 Quantity	备注 Remark
8	FT254.31F.114	调整垫	ADJUSTMENT WASHER	1	2011-11_
9	FT254.31F.115	调整垫	ADJUSTMENT WASHER	1	2011-11_

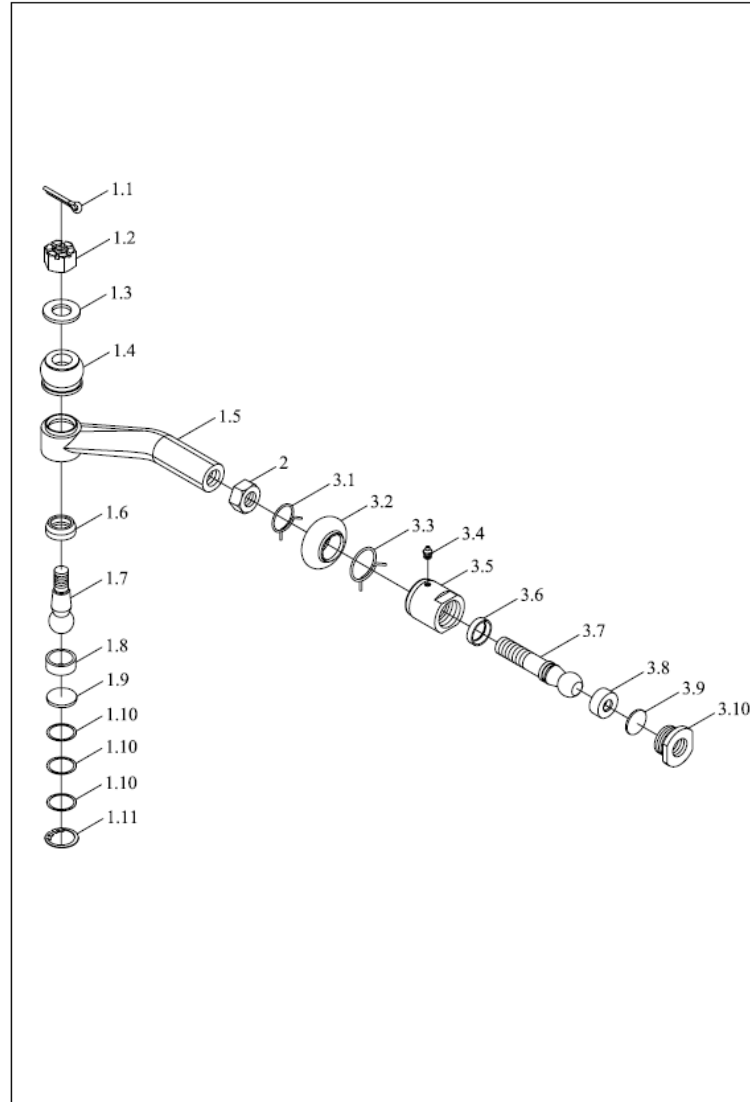
TE254.311G 前驱动桥总成-5



TE254.311G-5 前驱动桥总成-5 FRONT DRIVING AXLE ASSEMBLY-5

标号 No.	代号 Code	名称 Description		数量 Quantity	备注 Remark
1	TE254.311G.5.1	左摇臂接头总成	LEFT ROCKER JOINT ASSEMBLY	1	2013-01_
1.1	GBT91-3.2X40-A0P	开口销	PIN	1	2013-01_
1.10	TE254.311G.5.1-05	调整垫片	ADJUSTING WASHER	1	2013-01_
1.10	TE254.311G.5.1-05	调整垫片	ADJUSTING WASHER	1	2013-01_
1.11	GBT893.1-30	孔用弹性挡圈	SNAP RING	1	2013-01_
1.2	GBT6178-M14-A3L	螺母	NUT	1	2013-01_
1.3	GBT97.1-14-A0P	垫圈14-A0P	WASHER	1	2013-01_
1.4	TE254.311G.5.1.1	防尘套总成	DUSTPROOF SLEEVE ASSEMBLY	1	2013-01_
1.5	TE254.311G.5.1-06	左转向摇臂	LEFT STEERING ROCKER	1	2013-01_
1.6	TE254.311G.5.1-03	碗形盖	BOWL COVER	1	2013-01_
1.6	TE254.311G.5.1-03	碗形盖	BOWL COVER	1	2013-01_
1.7	TE254.311G.5.1-04	球头销	BALL PIN	1	2013-01_
1.8	TE254.311G.5.1-02	碗形座	BOWL SEAT	1	2013-01_
1.9	TE254.311G.5.1-01	顶盖	TOP COVER	1	2013-01_
2	GBT6173-M18X1.5-A3L	六角薄螺母	HEXAGON THIN NUT	1	2013-01_
3	TE254.311G.5.2	油缸接头总成	OIL CYLINDER JOINT ASSEMBLY	1	2013-01_
3.1	Q671B20	钢丝型弹性环箍	STEEL WIRE ELASTIC HOOP	1	2013-01_
3.10	TE254.311G.5.2-05	联接螺母	CONNECTING NUT	1	2013-01_
3.10	TE254.311G.5.2-05	联接螺母	CONNECTING NUT	1	2013-01_
3.2	TE254.311G.5.2-04	油缸球头密封套	OIL CYLINDER BALL JOINT SEAL BUSH	1	2013-01_
3.3	Q671B36	钢丝型弹性环箍	STEEL WIRE ELASTIC HOOP	1	2013-01_
3.4	JBT7940.1-M6	直通式压注油杯	STRAIGHT PRESSURE FILLING OIL CUP	1	2013-01_
3.5	TE254.311G.5.2-01	油缸球头销座	OIL CYLINDER BALL JOINT PIN SEAT	1	2013-01_
3.6	TE254.311G.5.2-08	油缸球销盖 II	OIL CYLINDER BALL PIN COVER II	1	2013-01_
3.7	TE254.311G.5.2-03	油缸球头销	OIL CYLINDER BALL JOINT PIN	1	2013-01_

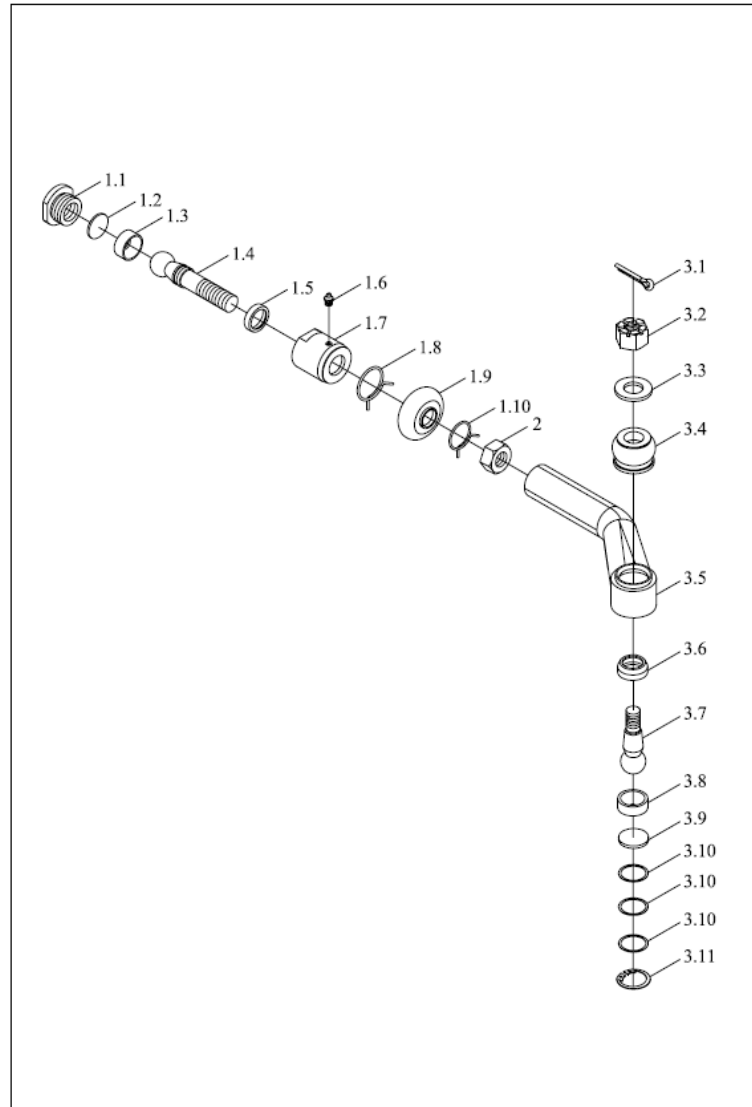
TE254.311G 前驱动桥总成-5



TE254.311G-5 前驱动桥总成-5(续)

标号 No.	代号 Code	名称 Description		数量 Quantity	备注 Remark
3.8	TE254.311G.5.2-07	油缸球销盖 I	OIL CYLINDER BALL PIN COVER I	1	2013-01_
3.9	TE254.311G.5.2-06	垫圈	WAHSER	1	2013-01_

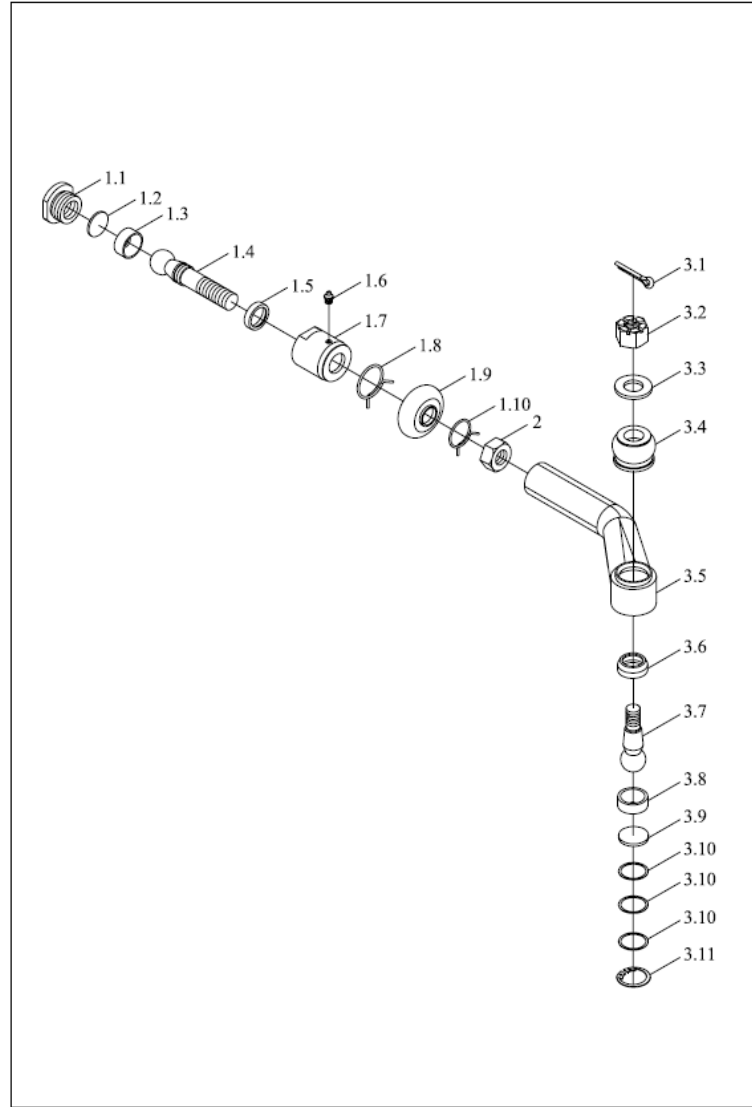
TE254.311G 前驱动桥总成-6



TE254.311G-6 前驱动桥总成-6 FRONT DRIVING AXLE ASSEMBLY-6

标号 No.	代号 Code	名称 Description		数量 Quantity	备注 Remark
1.1	TE254.311G.5.2-05	联接螺母	CONNECTING NUT	1	2013-01_
1.1	TE254.311G.5.2-05	联接螺母	CONNECTING NUT	1	2013-01_
1.10	Q671B20	钢丝型弹性环箍	STEEL WIRE ELASTIC HOOP	1	2013-01_
1.2	TE254.311G.5.2-06	垫圈	WASHER	1	2013-01_
1.3	TE254.311G.5.2-07	油缸球销盖 I	OIL CYLINDER BALL PIN COVER I	1	2013-01_
1.4	TE254.311G.5.2-03	油缸球头销	OIL CYLINDER BALL JOINT PIN	1	2013-01_
1.5	TE254.311G.5.2-08	油缸球销盖 II	OIL CYLINDER BALL PIN COVER II	1	2013-01_
1.6	JBT7940.1	油杯M10*1	OIL CUP M10×1	1	2013-01_
1.7	TE254.311G.5.2-01	油缸球头销座	OIL CYLINDER BALL JOINT PIN SEAT	1	2013-01_
1.8	Q671B36	钢丝型弹性环箍	STEEL WIRE ELASTIC HOOP	1	2013-01_
1.9	TE254.311G.5.2-04	油缸球头密封套	OIL CYLINDER BALL JOINT SEAL BUSH	1	2013-01_
2	GBT6173-M18X1.5-A3L	六角薄螺母	HEXAGON THIN NUT	1	2013-01_
3	TE254.311G.6.1	右摇臂接头总成	RIGHT ROCKER JOINT ASSEMBLY	1	2013-01_
3.1	GBT91-3.2X40-A0P	开口销	PIN	1	2013-01_
3.10	TE254.311G.5.1-05	调整垫片	ADJUSTING WASHER	999	2013-02_
3.10	TE254.311G.5.1-05	调整垫片	ADJUSTING WASHER	999	2013-02_
3.11	GBT893.1-30	孔用弹性挡圈	SNAP RING	1	2013-01_
3.2	GBT6178-M14-A3L	螺母	NUT	1	2013-01_
3.3	GBT97.1-14-A0P	垫圈14-A0P	WASHER	1	2013-01_
3.4	TE254.311G.5.1.1	防尘套总成	DUSTPROOF SLEEVE ASSEMBLY	1	2013-01_
3.5	TE254.311G.6.1-01	右转向摇臂	RIGHT STEERING ROCKER	1	2013-01_
3.5	TE254.311G.6.1-01	右转向摇臂	RIGHT STEERING ROCKER	1	2013-01_
3.6	TE254.311G.5.1-03	碗形盖	BOWL COVER	1	2013-01_
3.6	TE254.311G.5.1-03	碗形盖	BOWL COVER	1	2013-01_
3.7	TE254.311G.5.1-04	球头销	BALL PIN	1	2013-01_

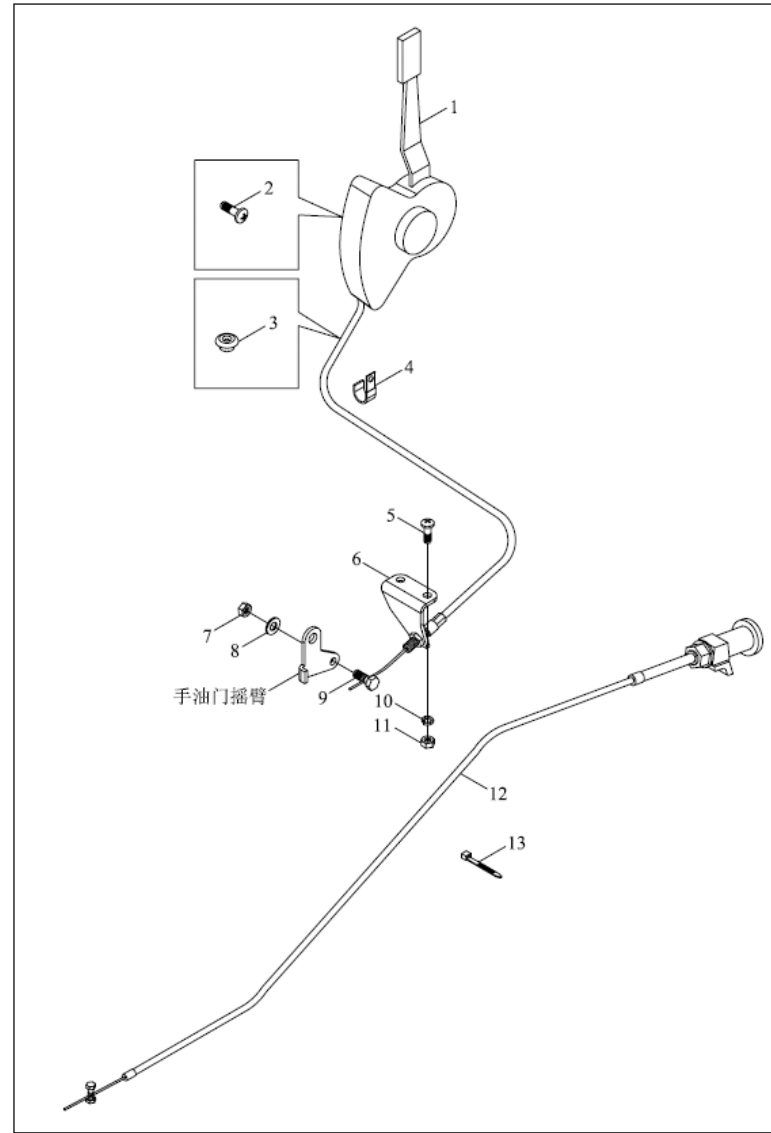
TE254.311G 前驱动桥总成-6



TE254.311G-6 前驱动桥总成-6(续)

标号 No.	代号 Code	名称 Description		数量 Quantity	备注 Remark
3.8	TE254.311G.5.1-02	碗形座	BOWL SEAT	1	2013-01_
3.9	TE254.311G.5.1-01	顶盖	TOP COVER	1	2013-01_

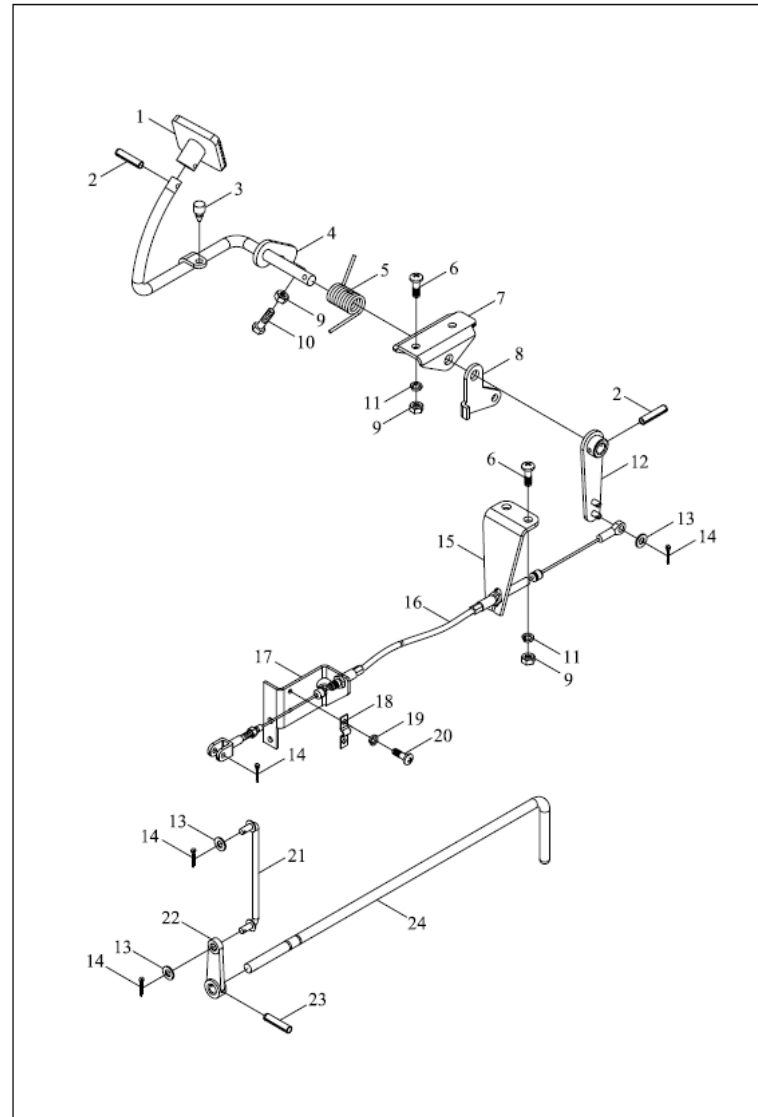
TE254.20 发动机操纵机构总成-1



TE254.20-1 发动机操纵机构总成-1 ENGINE CONTROL MECHANISM ASSEMBLY-1

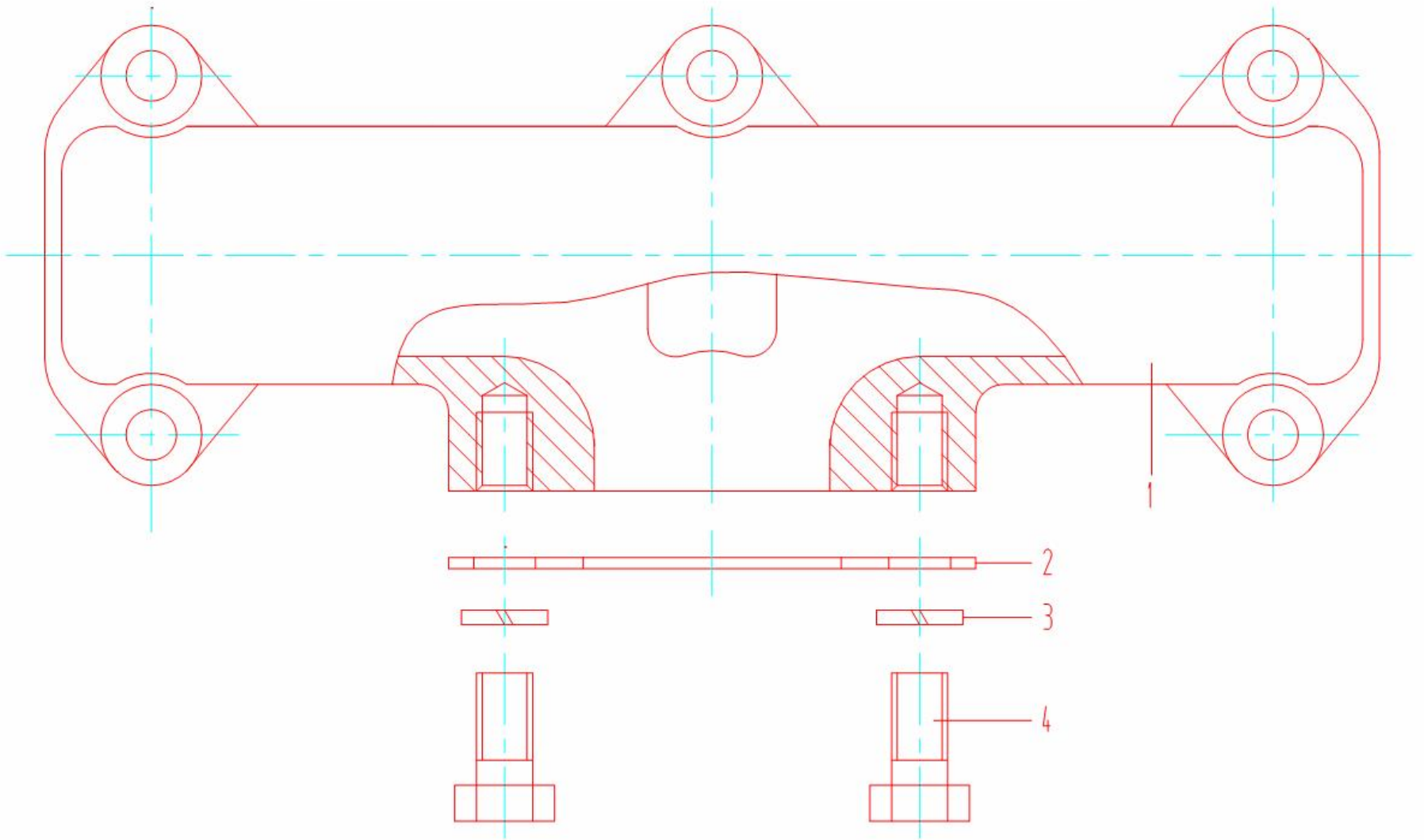
标号 No.	代号 Code	名称 Description		数量 Quantity	备注 Remark
1	TE300A.20.1	手油门总成	HAND THROTTLE ASSEMBLY	1	2008-01_
1	TE324.20.3	手油门总成	HAND THROTTLE ASSEMBLY	1	2004-01_
10	GBT93-8-A0P	垫圈	WAHSER	2	2011-11_
11	GBT6172.1-M8-A2L	螺母	NUT	2	2011-11_
12	FT250.20B.017	熄火拉线总成	EXTINGUISH WIRE ASSEMBLY	1	2011-11_
13	Q67405100	塑料紧箍带	PLASTIC CLIP	1	2011-11_
3	TD800.484B-03	过线胶圈	RUBBER RING	1	2011-11_
3	TE324.20A-01	过线胶圈	RUBBER RING	1	2004-01_
4	FT65.48.097	线束固定夹(二)	HARNESS LOCKING CLAMP (2)	1	2011-11_
5	GBT819.1-M8X20-A2L	十字槽沉头螺钉	BOLT CAB WINDOW	2	2011-11_
6	FT300.20.105	手油门拉线支架	PULL WIRE BRACKET OF HAND THROTTLE	1	2011-11_
7	GBT6170-M8-A2L	螺母	NUT	1	2011-11_
8	GBT97.1-8-A0P	平垫圈	FLAT WASHER	1	2011-11_
9	FT650.20.133	紧固螺钉	LOCKING SCREW	1	2011-11_

TE254.20 发动机操纵机构总成-2



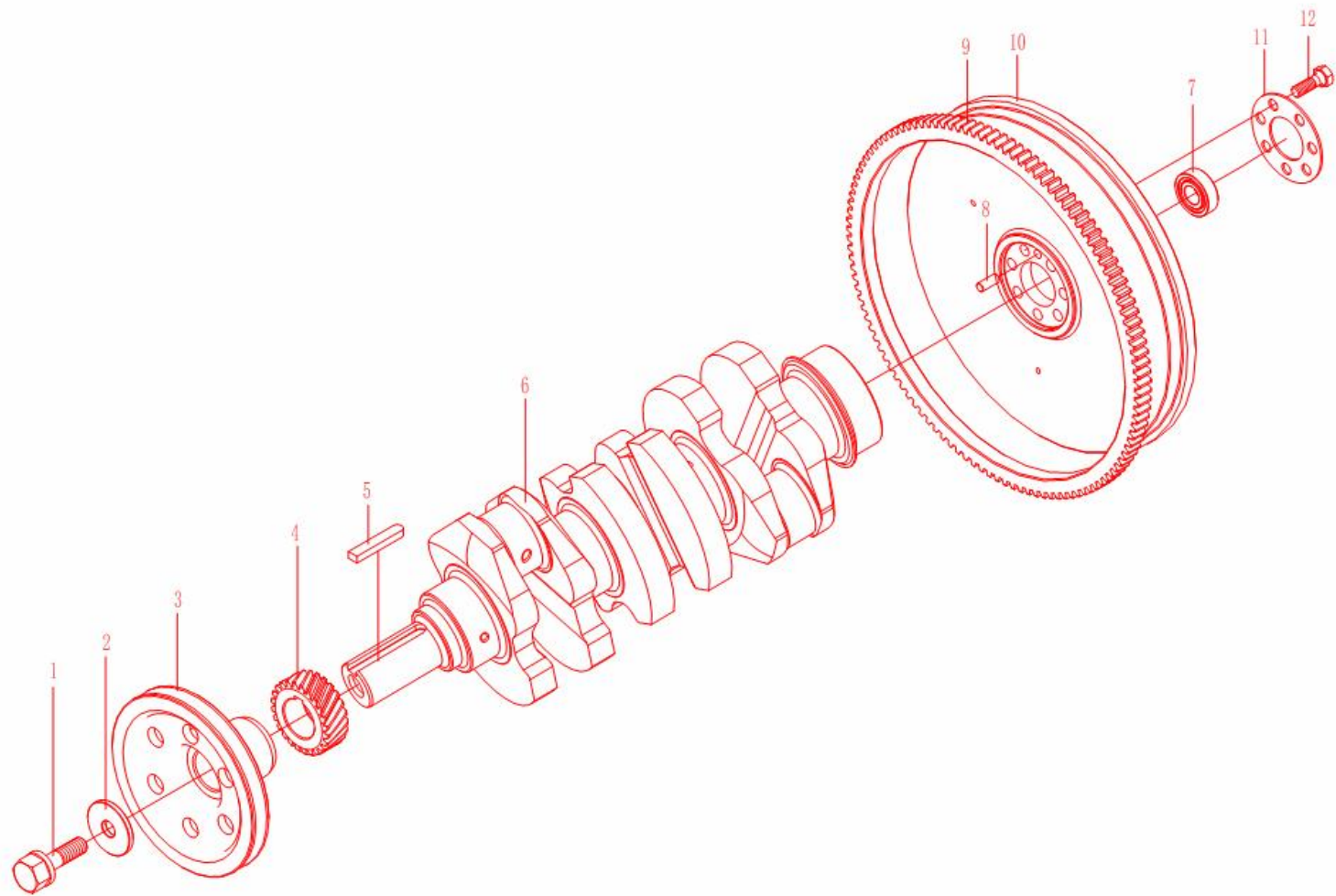
TE254.20-2 发动机操纵机构总成-2 ENGINE CONTROL MECHANISM ASSEMBLY-2

标号 No.	代号 Code	名称 Description		数量 Quantity	备注 Remark
1	FT650.20.101	脚踏板	FOOT PEDAL	1	2011-11_
10	GBT5781-M8X45-A2L	六角头螺栓	BOLT;SOCKET;THROUGH	1	2011-11_
11	GBT93-8-A0P	垫圈	WASHER	4	2011-11_
12	FT300.20.011	脚油门摇臂焊合	FOOT THROTTLE ROCKER ARM WELDMENT	1	2011-11_
13	GBT97.1-6-A0P	平垫圈	FLAT WASHER	3	2011-11_
14	GBT91-2X16-A0P	开口销	PIN	4	2011-11_
15	TE250.20B-01	脚油门拉线支架	FOOT THROTTLE WIRE BRACKET	1	2011-11_
16	FT700.20S.014	脚油门拉线总成	FOOT THROTTLE WIRE ASSEMBLY	1	2011-11_
17	FT250.20.107	支架	BRACKET	1	2011-11_
18	FT250.20.127	固定夹	BRACKET	1	2011-11_
19	GBT93-5-A0P	标准型弹簧垫圈	PLAIN WASHER-LARGE SSRIE	2	2011-11_
2	GBT879.1-5X20	弹性圆柱销	PIN,LOCK	2	2011-11_
20	GBT818-M5X10-A2L	十字槽盘头螺钉	CROSS SCREW	2	2011-11_
21	FT250.20.018	减压拉杆焊合	DECOMPRESSION PULL ROD WELDMENT	1	2011-11_
22	FT250.20.118	减压摇臂	DECOMPRESSION ROCKER	1	2011-11_
23	GBT879.1-3X20	弹性圆柱销	PIN,LOCK	1	2011-11_
24	FT250.20.117	减压手柄	DECOMPRESSION HANDLE	1	2011-11_
3	FT650.20.107	橡胶塞	RUBBER PLUG	1	2011-11_
4	TE250.20B.3	脚踏板摇臂焊合	FOOT PEDAL ROCKER ARM WELDMENT	1	2011-11_
5	FT650.20.104	扭簧	TORSION SPRING	1	2011-11_
6	GBT819.1-M8X20-A2L	十字槽沉头螺钉	BOLT CAB WINDOW	4	2011-11_
7	FT650.20.108	油门支架	THROTTLE BRACKET	1	2011-11_
8	FT650.20.114	手油门摇臂	HAND THROTTLE ROCKER	1	2011-11_
9	GBT6172.1-M8-A2L	螺母	NUT	5	2011-11_



KM385BT-1E1-12 排气系统总成 EXHAUST SYSTEM

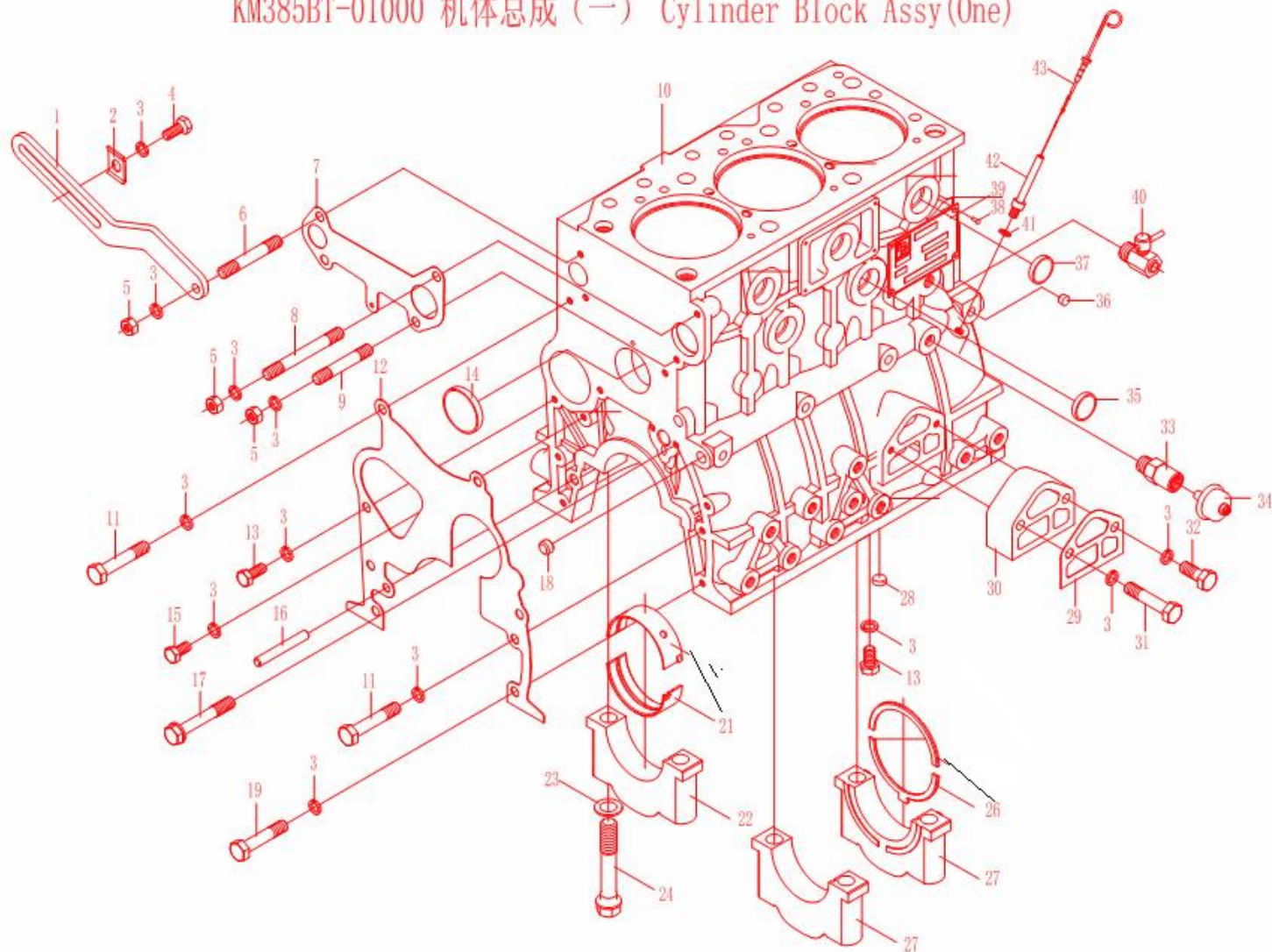
标号 No.	代号 Code	名称 Description		数量 Quantity	备注 Remark
1	KM385-08001	排气管	BRACKET	1	
2	KM385T-08002	排气总管垫片	EXHAUST PIPE GASKET	1	
3	GBT93-10	垫圈10	WASHER 10	2	
4	GBT5783-M10X30	六角头螺栓	BOLT;SOCKET;THROUGH	2	



KM385BT-1E1-09 曲轴总成 CRANK SHAFT ASSEMBLY

标号 No.	代号 Code	名称 Description		数量 Quantity	备注 Remark
1	KM385T-05006	起动爪	STARTING CLAW	1	
10	KM385T-05101-5	飞轮	FLYWHEEL	1	
11	L375-05002	飞轮螺栓垫板	FLYWHEEL BOLT BACKING PLATE	1	
12	KM385T-05001	飞轮螺栓	FLYWHEEL BOLT	6	
2	L375-05005	起动爪垫板	STARTING CLAW MAT PLATE	1	
3	KM385T-05005-4	曲轴皮带轮	GRANK SHAFT PULLEY	1	
4	KM385T-05007	曲轴正时齿轮	CRANKSHAFT TIMING GEAR	1	
5	GBT1096-C10X63	平键	FLAT KEY	1	
6	KM385QB-05003	曲轴	CAMSHAFT	1	
7	GBT276-6203	轴承6203	BEARING	1	
8	GBT119-B8X20	圆柱销	PIN	1	
8	GBT119-B8X20	圆柱销	PIN	1	
9	LL480-05102	飞轮齿圈	FLYWHEEL GEAR RING	1	

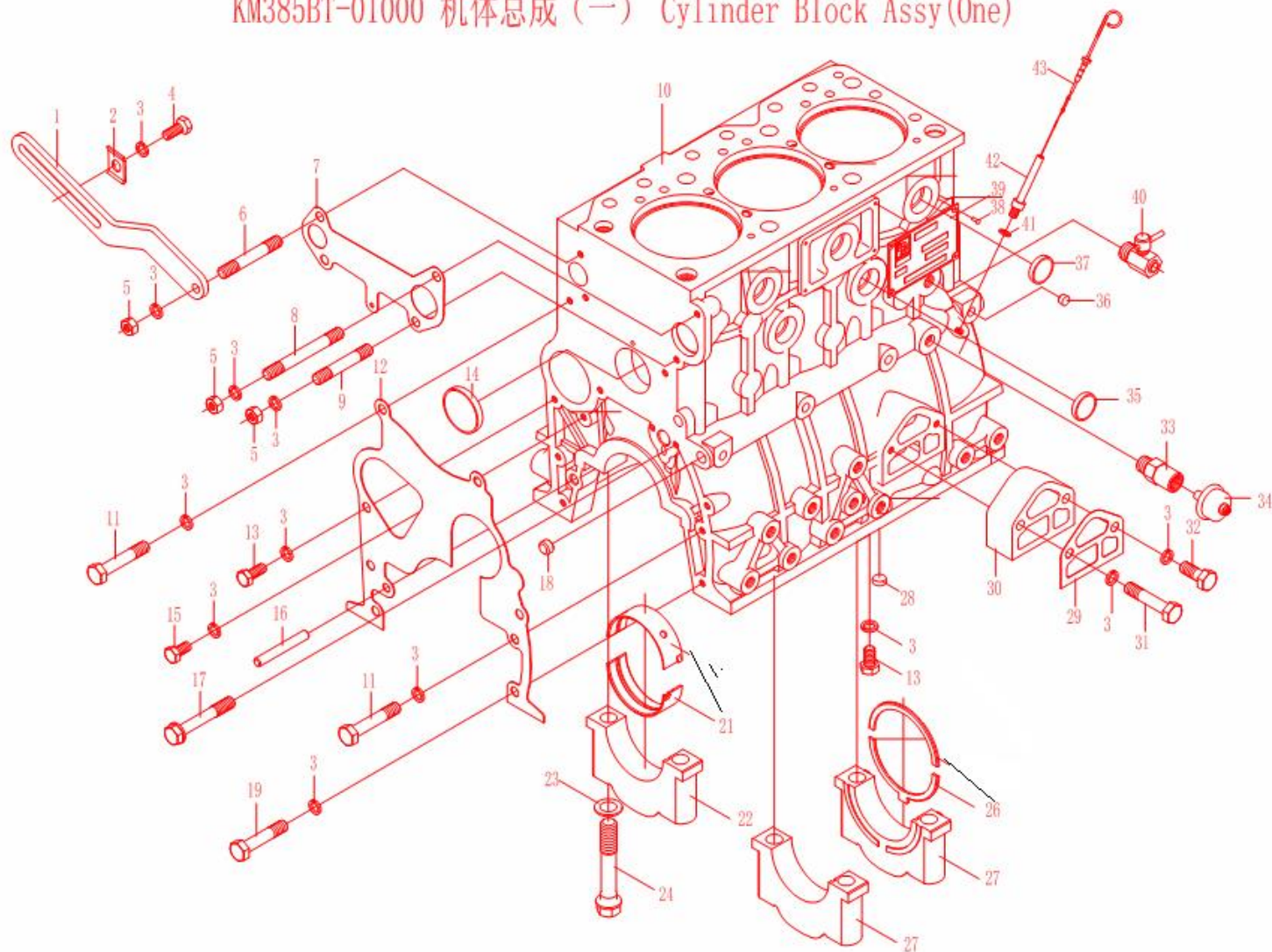
KM385BT-01000 机体总成 (一) Cylinder Block Assy(One)



KM385BT-1E1-01 机体总成 (一) CYLINDER BLOCK 1

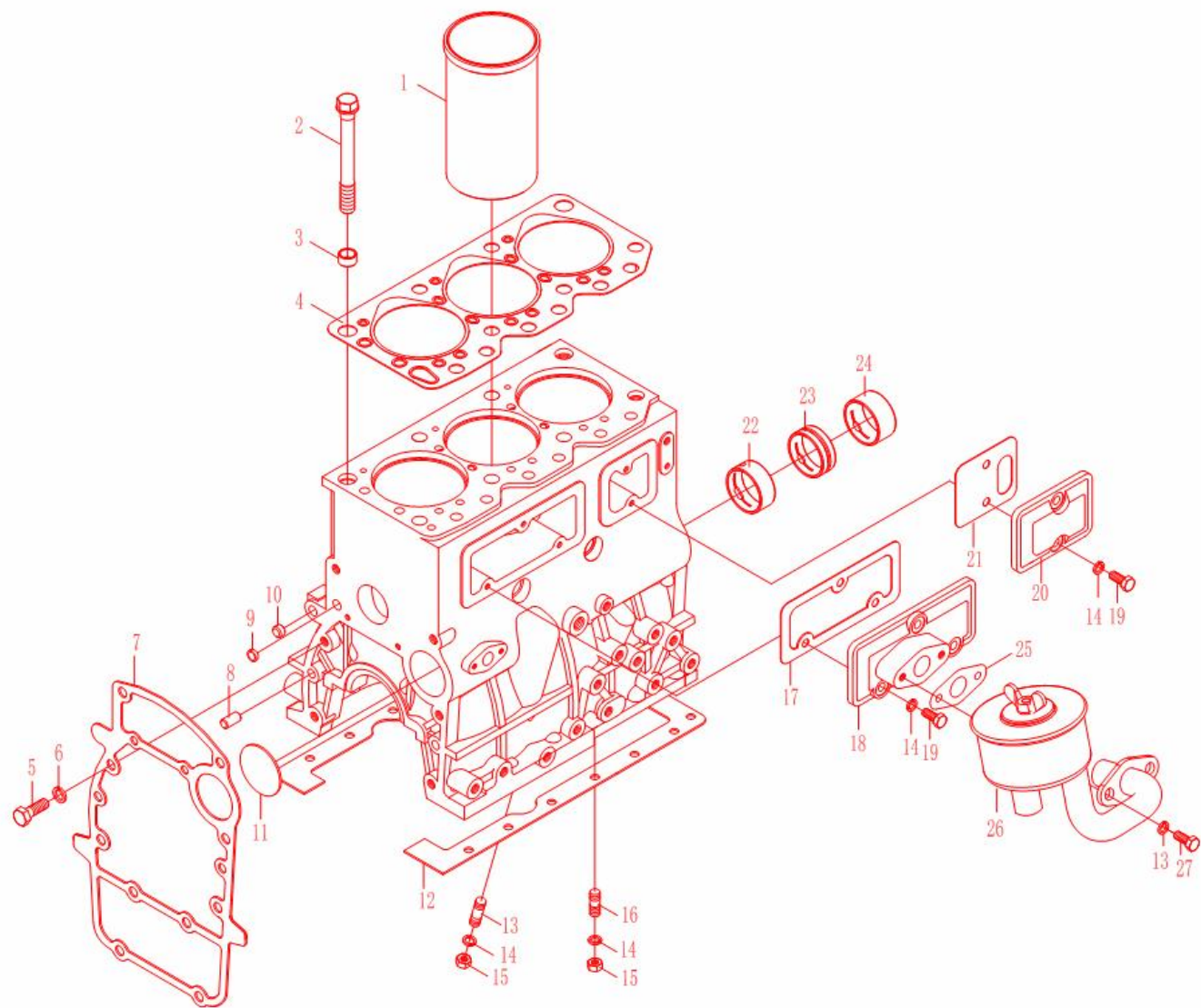
标号 No.	代号 Code	名称 Description		数量 Quantity	备注 Remark
1	KM385T-01029	发电机调整支架	BRACKET	1	
10	KM385T-01100	机体总成	BODY ASSEMBLY	1	
11	GBT5782-M8X55	六角头螺栓	BOLT;SOCKET;THROUGH	6	
12	L375-01007	齿轮室垫片	GASKET	1	
13	GBT5783-M8X20	螺栓	BOLT	2	
13	GBT5783-M8X20	螺栓	BOLT	2	
14	D495QB-01024	碗形塞片	PLUG PIECE	1	
15	GBT5783-M8X16	螺栓	BOLT	2	
16	GBT119-B8X50	圆柱销	PIN	3	
16	GBT119-B8X50	圆柱销	PIN	3	
17	4L22BT-01021	惰齿轮螺栓	IDLE BOLT M10 × 70	2	
18	L375-01104	主油道堵塞	MAIN OIL LINE PLUG	1	
19	l375-01106	主轴承盖定位套	LOCATING SLEEVE OF MAIN BEARING COVER	2	
2	GBT97.1-8	垫圈	WAHSER	1	
21	KM485QB-01015/01016	主轴瓦	MAIN BEARING	4	
22	KM485QB-01112	主轴承盖	MAIN BEARING COVER	3	
22	KM485QB-01112	主轴承盖	MAIN BEARING COVER	3	
23	L375-01110	主轴承盖螺栓垫圈	MAIN BEARING COVER BOLT WASHER	10	
24	L375-01111	主轴承盖螺栓	BOLT	10	
26	KM485QB-01007/01008	曲轴止推片	CRANKSHAFT HALFRING	2	
27	KM485QB-01113	后主轴承盖	REAR MAIN BEARING COVER	1	
28	D495QB-03109	碗形塞片	PLUG PIECE	1	
29	L375-01027	机油滤清器垫片	OIL FILTER GASKET	1	
29	L375-01027	机油滤清器垫片	OIL FILTER GASKET	1	
3	GBT93-8	垫圈8	WASHER 8	34	

KM385BT-01000 机体总成 (一) Cylinder Block Assy(One)



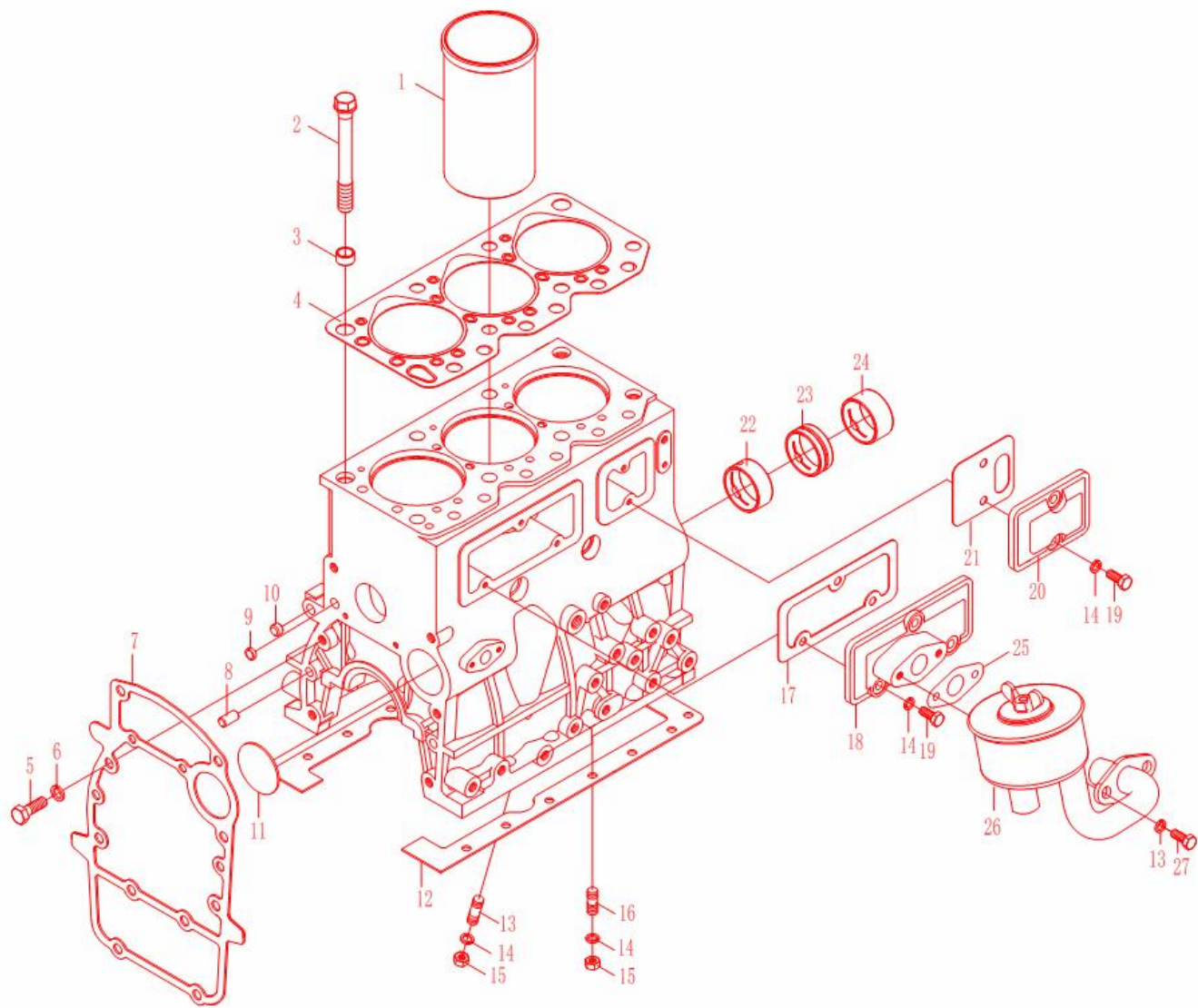
KM385BT-1E1-01 机体总成 (一) (续)

标号 No.	代号 Code	名称 Description		数量 Quantity	备注 Remark
30	KM385T-01027	机油滤清器垫块	OIL FILTER WASHER BLOCK	1	
31	GBT5782-M8X50	六角头螺栓	BOLT;SOCKET;THROUGH	1	
32	GBT5783-M8X25	螺栓	BOLT	1	
33	KM385T-01035	机油压力表接头	CONNECTOR	1	
35	D495QB-01014	碗形塞	BOWL PLUG	2	
36	L375-01105-1	锥堵	TAPER PLUG	4	
38	GBT827-2.5 × 5	标牌铆钉	PIN	4	
39	L375-03302-4	铭牌	NAMEPLATE	1	
4	GBT5783-M8X35	六角头螺栓	BOLT;SOCKET;THROUGH	1	
40	4L22BT-01600	放水开关	DRAIN WATER SWITCH	1	
41	195-13007	垫片	WASHER	1	
42	L375-01320-1	机油尺管焊接件	OIL DIPSTICK PIPE WELDMENT	1	
43	KM385T-01310	机油尺部件	OIL DIPSTICK PARTS	1	
5	GBT6170-M8	螺母M8	NUT M8	4	
6	GBT898-M8X65	双头螺柱	STANDARD SPING GASKET	1	
7	L375-01006	水泵后盖垫片	WATER PUMP REAR COVER GASKET	1	
8	GBT898-M8X90	双头螺柱	STANDARD SPING GASKET	1	
9	GBT898-M8X60	双头螺柱	STANDARD SPING GASKET	2	



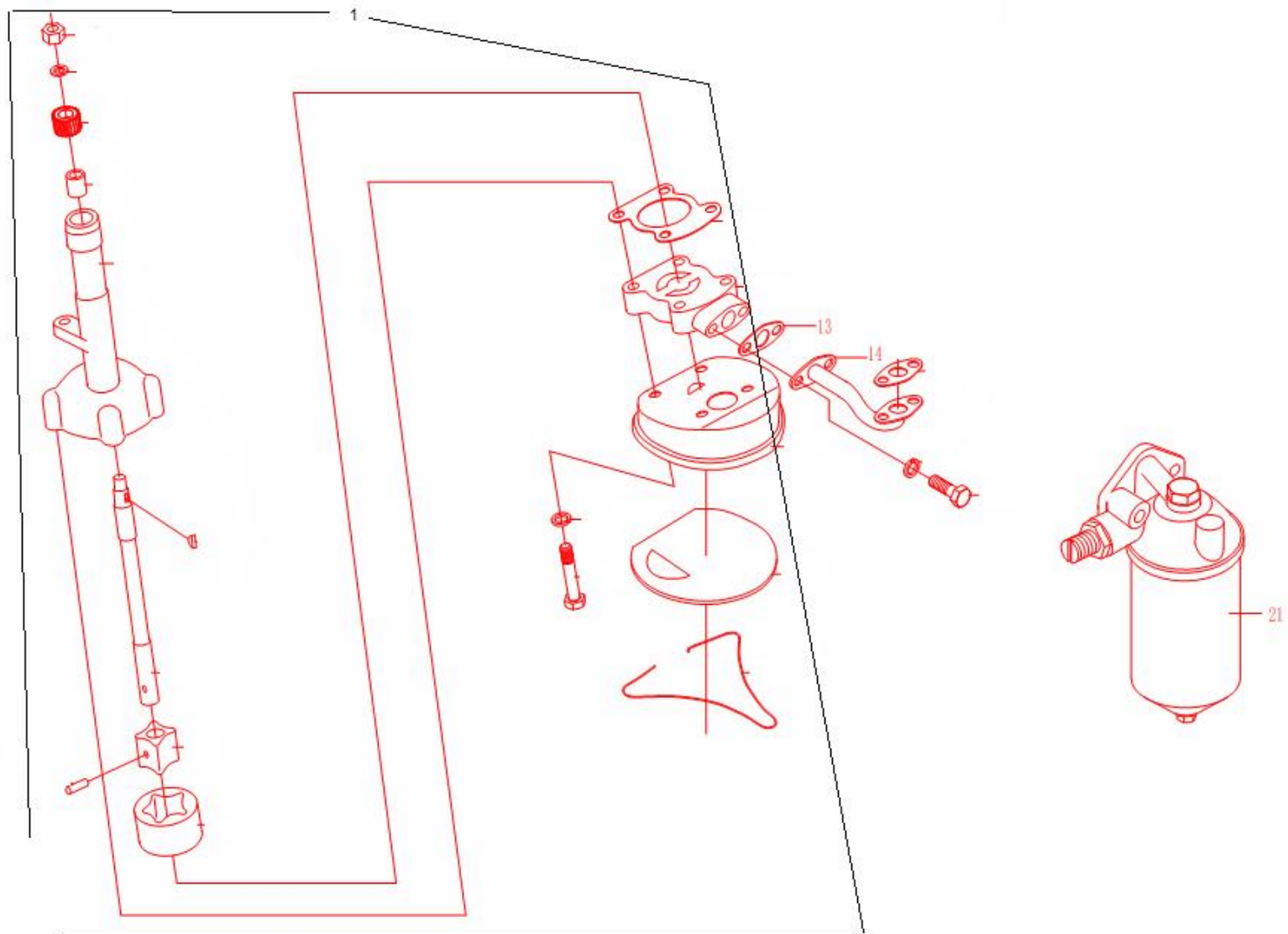
KM385BT-1E1-02 机体总成 (二) CYLINDER BLOCK 2

标号 No.	代号 Code	名称 Description		数量 Quantity	备注 Remark
1	KM485QB-01003	气缸套	CYLINDER LINER	3	
10	L375-01104	主油道堵塞	MAIN OIL LINE PLUG	1	
11	L375-01102	塞片	PLUG PIECE	1	
12	KM385T-01019	油底壳垫片	OIL SUMP GASKET	1	
13	GBT898-M8X22	双头螺柱	STANDARD SPING GASKET	1	
14	GBT93-8	垫圈8	WASHER 8	28	
15	GBT6170-M8	螺母M8	NUT M8	22	
16	GBT898-M8X16	双头螺柱	STANDARD SPING GASKET	16	
17	LL480-01014	侧盖板垫片	SIDE COVER SPACER	1	
18	LL480-01013-3	侧盖 (II)	SIDE COVER (II)	1	
19	GBT5783-M10X25	螺栓	BOLT	5	
2	KM485QB-01005	缸盖螺栓	CYLINDER COVER BOLT	8	
20	LL380-01012	侧盖 (II)	SIDE COVER (II)	1	
21	LL380-01015	侧盖 (II) 垫片	SIDE COVER (II) WASHER	1	
22	KM485QB-01114	凸轮轴后衬套	REAR BUSH OF CAMSHAFT	1	
23	L375-01113	凸轮轴中衬套	MIDDLE BUSH OF CAMSHAFT	1	
24	L375-01112	凸轮轴前衬套	FRONT BUSH OR CAMSHAFT	1	
25	KM485QB-01011	呼吸器垫片	BREATHER GASKET	1	
26	KM385T-01200-1	呼吸器部件	BREATHER PARTS	1	
27	GBT5783-M8X18	六角头螺栓	BOLT;SOCKET;THROUGH	2	
3	L375-01103	定位套	LOCATING SLEEVE	2	
4	KM385QB-01002	气缸盖垫片	CYLINDER COVER GASKET	1	
5	GBT5783-M10X30	六角头螺栓	BOLT;SOCKET;THROUGH	6	
6	GBT93-10	垫圈10	WASHER 10	6	
7	KM385T-01018	飞轮壳垫片	GASKET-FLYWHEEL HOUSING	1	



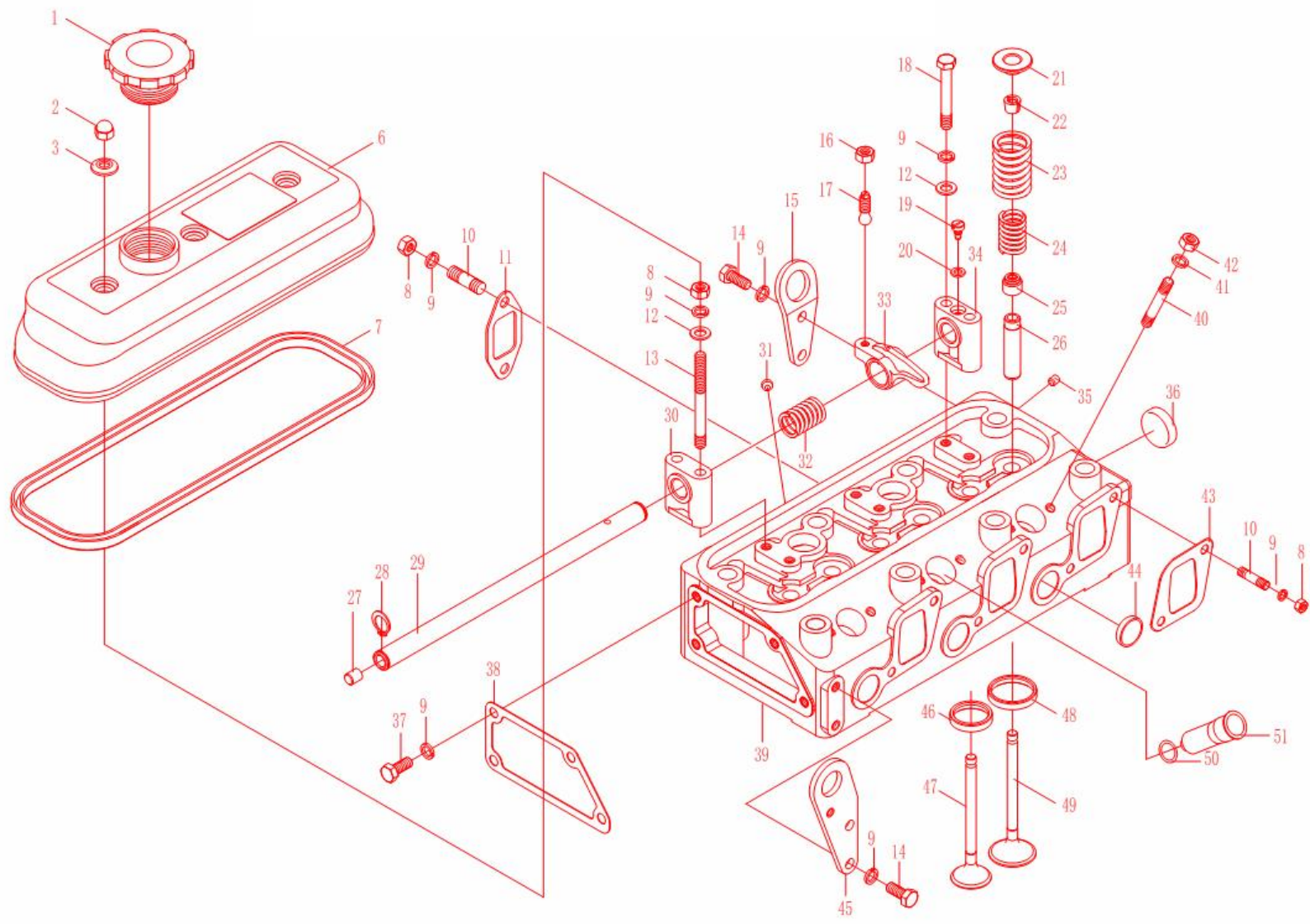
KM385BT-1E1-02 机体总成 (二) (续)

标号 No.	代号 Code	名称 Description		数量 Quantity	备注 Remark
8	GBT119-B10X20	圆柱销	PIN	2	
9	L375-01115	碗形塞片	PLUG PIECE	2	



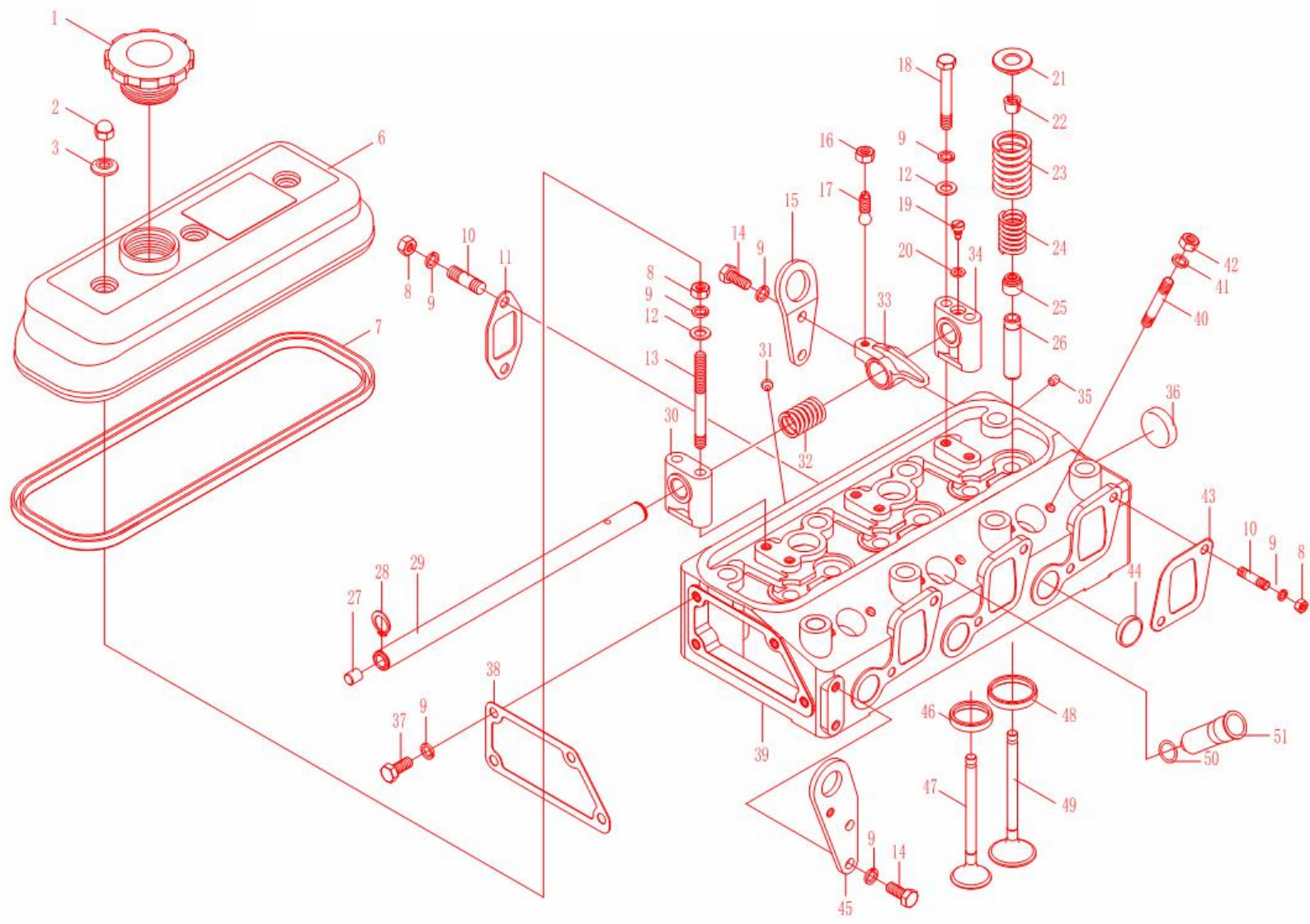
KM385BT-1E1-13 机油泵总成 OIL PUMP ASSEMBLY

标号 No.	代号 Code	名称 Description		数量 Quantity	备注 Remark
1	4L22-09100-3C	机油泵 (英文铭牌)	OIL PUMP (ENGLISH NAMEPLATE)	1	
13	L375-09001	出油管法兰垫片	OIL OUTLET PIPE FLANGE GASKET	1	
13	L375-09001	出油管法兰垫片	OIL OUTLET PIPE FLANGE GASKET	1	
14	LL480T-09200	机油管路部件	OIL PIPELINE UNIT	1	
21	WB178	机滤芯	FILTER CORE	1	
22	4L22-09001	出油管法兰垫片	OIL OUTLET PIPE FLANGE GASKET	1	
23	KM385T-09320	机油滤座组合件	OIL FILTER SEAT	1	



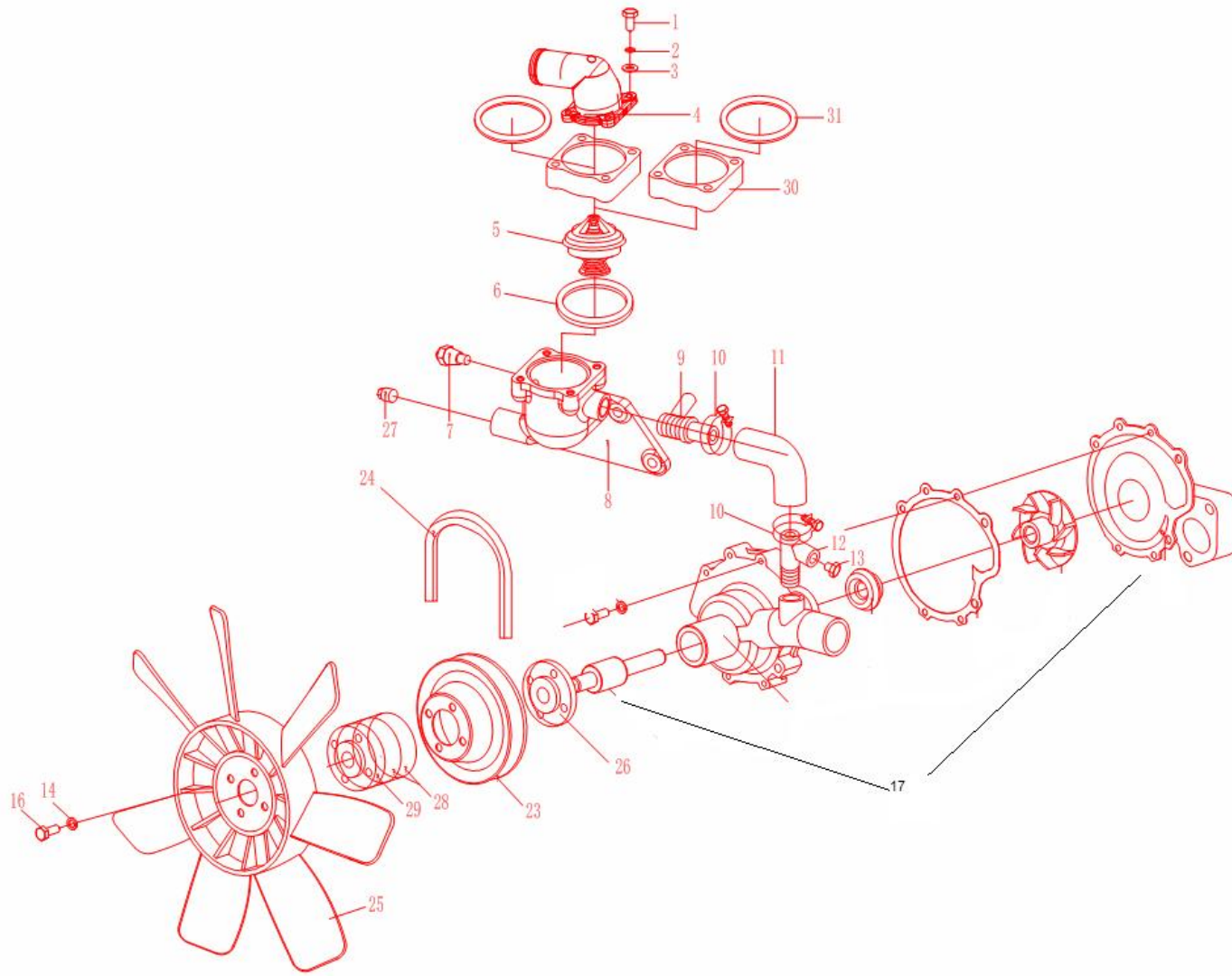
KM385BT-1E1-07 气缸盖总成 CYLINDER HEAD ASSEMBLY

标号 No.	代号 Code	名称 Description		数量 Quantity	备注 Remark
1	L375-03005	加油口盖	FILLING CAP	1	
10	GBT898-M8X25	双头螺柱	STANDARD SPING GASKET	12	
11	KM485QB-03006	排气管垫片	EXHAUST PIPE GASKET	3	
12	GBT97.1-8	垫圈	WAHSER	6	
13	L375-03001	摇臂座固定螺栓	ROCKER SEAT FIXING BOLT	3	
14	GBT5783-M8X20	螺栓	BOLT	4	
14	GBT5783-M8X20	螺栓	BOLT	4	
15	L375-03012	后吊环	REAR HANGING RING	1	
16	GBT6171-M8X1	M8X1 I型六角螺母	NUT	6	
16	GBT6171-M8X1	M8X1 I型六角螺母	NUT	6	
17	LL480B-03201	气门间隙调整螺钉	VALVE CLEARANCE ADJUSTING SCREW	6	
18	GBT5782-M8X60	螺栓	BOLT	3	
19	L375-03206	摇臂轴定位螺钉	ROCKER SHAFT LOCATING SCREW	1	
2	GBT923-M8	盖形螺母	CAP NUT	3	
20	GBT848-6-100HV	小垫圈	WASHER	1	
21	LL480B-03009	气门弹簧上座	VALVE SPRING UPPER SEAT	6	
22	LL480B-03008	气门锁夹	LOCK	12	
23	L375-03015	气门外弹簧	VALVE OUTER SPRING	6	
24	L375-03007	气门内弹簧	VALVE INNER SPRING	6	
25	LL480B-03019	气门油封	VALVE OIL SEAL	6	
26	KM485QB-03102-1	气门导管	VALVE GUIDE PIPE	6	
27	L375-01115	碗形塞片	PLUG PIECE	2	
28	GBT894.1-16	挡圈	RETAINER RING	2	
29	L375-03205	摇臂轴	ROCKER SHAFT	1	
3	L375-03302-5	防漏垫圈	ANTILEAK WASHER	3	



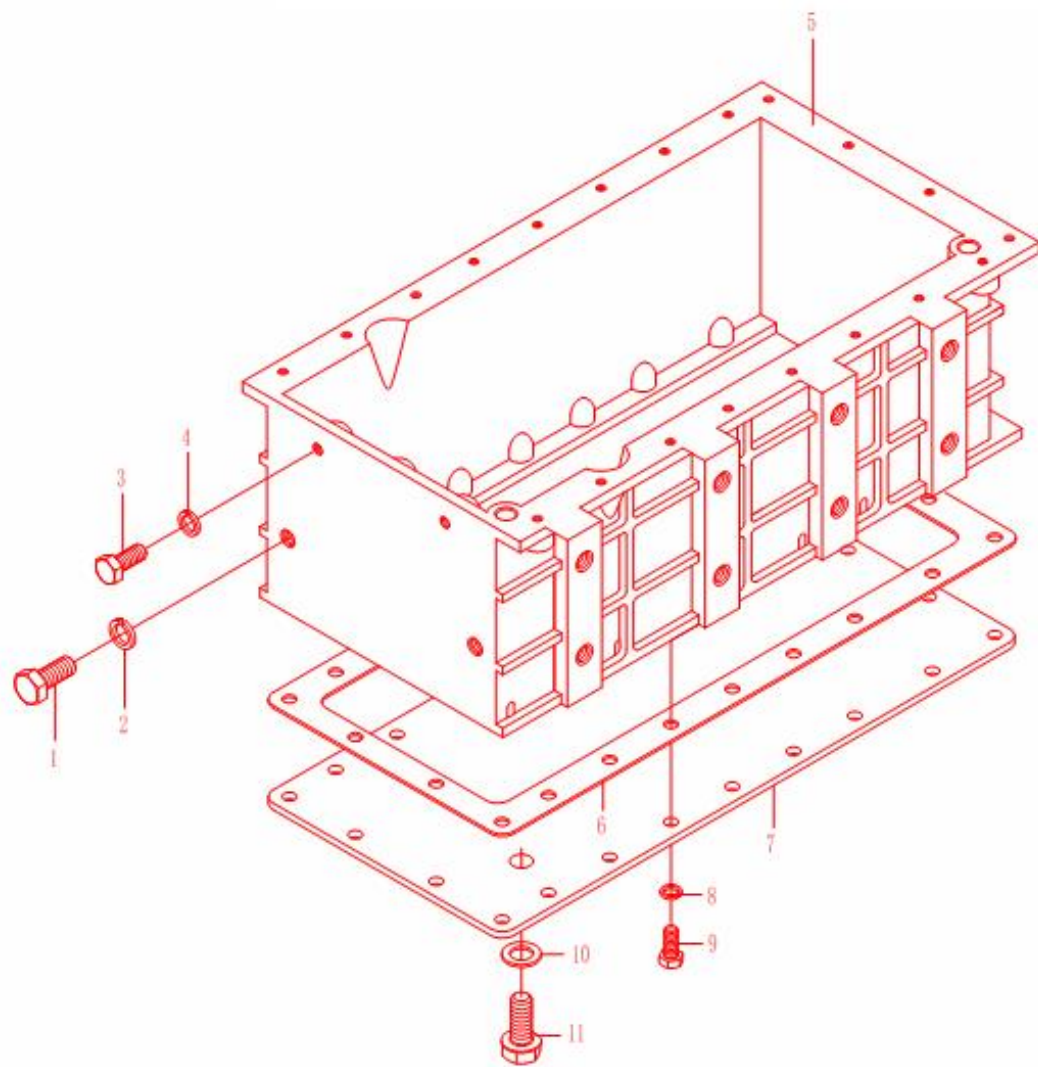
KM385BT-1E1-07 气缸盖总成(续)

标号 No.	代号 Code	名称 Description		数量 Quantity	备注 Remark
30	L375-03202	摇臂轴支座	ROCKER SHAFT SUPPORT SEAT	2	
31	L375-03107	碗形塞片 ϕ 8.3	BOWL SHIM Φ 8.3	4	
32	L375-03204	摇臂轴弹簧	SPRING	2	
33	LL480B-03210	气门摇臂加工合件	VALVE ROCKER UNIT	6	
34	L375-03207	摇臂轴后支座	ROCKER SHAFT REAR SEAT	1	
35	D495QB-01103	油道堵塞	OIL WAY PLUG	1	
36	D495QB-01024	碗形塞片	PLUG PIECE	1	
37	GBT5783-M8X25	螺栓	BOLT	4	
38	L375-03010	节温器壳垫片	THERMOSTAT HOUSING GASKET	1	
39	KM385QB-03101	气缸盖	CYLINDER COVER	1	
40	LL480B-03114	喷油器固定螺栓	OIL INJECTOR FIXING BOLT	6	
41	GBT93-6	垫圈	WASHER	6	
42	GBT804-M6	球面六角螺母	NUT	6	
43	LL480B-03013	进气管垫片	AIR INLET PIPE GASKET	3	
44	L375-03106	碗形塞片 ϕ 25	BOWL SHIM Φ 25	5	
45	L375-03011	前吊环	FRONT HOISTING RING	1	
46	LL480B-03104	排气门座	INSERT-VALVE SEAT(OUTLET)	3	
46	LL480B-03104	排气门座	INSERT-VALVE SEAT(OUTLET)	3	
47	LL480B-03015	排气门	EXHAUST VALVE	3	
48	LL480B-03103	进气门座	INSERT-VALVE SEAT(INLET)	3	
49	LL480B-03014	进气门	INTAKE VALVE	3	
6	LL380B-03301	气缸盖罩	CYLINDER HEAD COVER	1	
7	LL380B-03002	气缸盖罩垫片	CYLINDER COVER GASKET	1	
8	GBT6170-M8	螺母M8	NUT M8	15	
9	GBT93-8	垫圈8	WASHER 8	26	



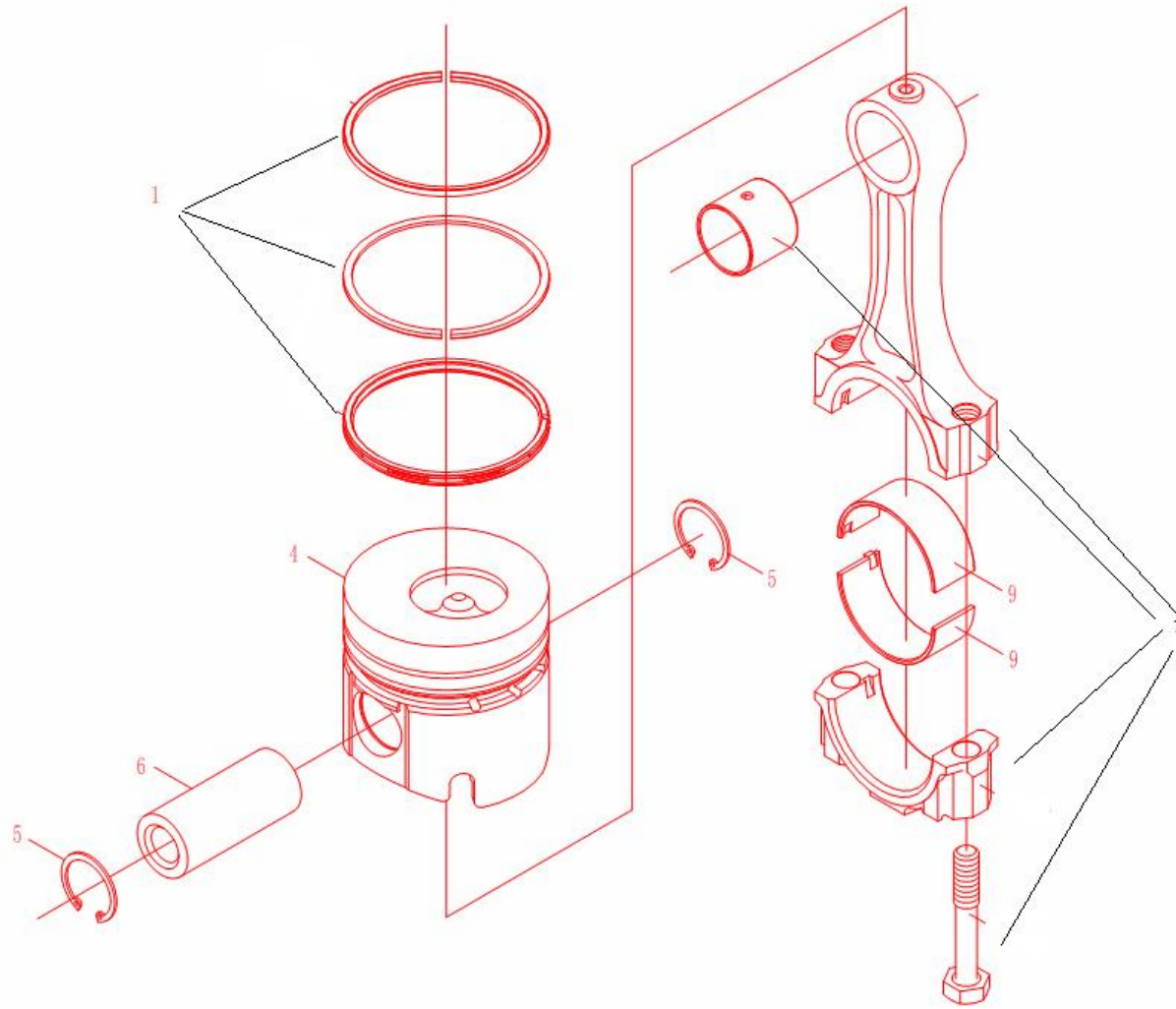
KM385BT-1E1-10 水泵总成 PUMP

标号 No.	代号 Code	名称 Description		数量 Quantity	备注 Remark
1	GBT898-M6X105	双头螺柱	STANDARD SPING GASKET	4	
10	ZBT32005.1-26	钢丝弹性环箍	CIRCLE CLAMP	2	
11	LL380-06001	水泵分水胶管	WATER PUMP HOSE	1	
12	L375Y3-14-06110	3通接管	TEE PIPE	1	
13	L375Y3-14-06111	螺堵	SCREW PLUG	1	
14	GBT93-8	垫圈8	WASHER 8	6	
15	GBT5783-M8X30	六角头螺栓	BOLT;SOCKET;THROUGH	2	
16	GBT5780-M8X95	六角头螺栓	BOLT;SOCKET;THROUGH	4	
17	LL480-06100C	水泵部件	WATERPUMP	1	
2	GBT93-6	垫圈	WAHSER	4	
23	LL480-06102	水泵皮带轮	WATER PUMP PULLEY	1	
24	GBT12732-AV13X1000c	齿形带	BELT	1	
25	L475-06300	风扇部件	FAN PARTS	1	
27	D495QB-06111-1	螺堵	SCREW PLUG	1	
28	4L22BT-06112S	风扇垫块	FAN GASKET	2	
3	GBT848-6-140HV	小垫圈	WASHER	4	
30	KM385T-06208-1S	节温器盖垫块	BLOCK	2	
31	KM385T-06209-1	节温器盖垫片	THERMOSTAT COVER GASKET	2	
4	LL380-06201-1	节温器盖	THERMOSTAT COVER	1	
5	L375-06203	节温器	THERMOSTAT	1	
6	L375-06202	节温器盖垫片	THERMOSTAT COVER GASKET	1	
8	L375-06204	节温器壳	THERMOSTAT HOUSING	1	
9	LL480-06303	小循环接管	SMALL CIRCULATING PIPE	1	



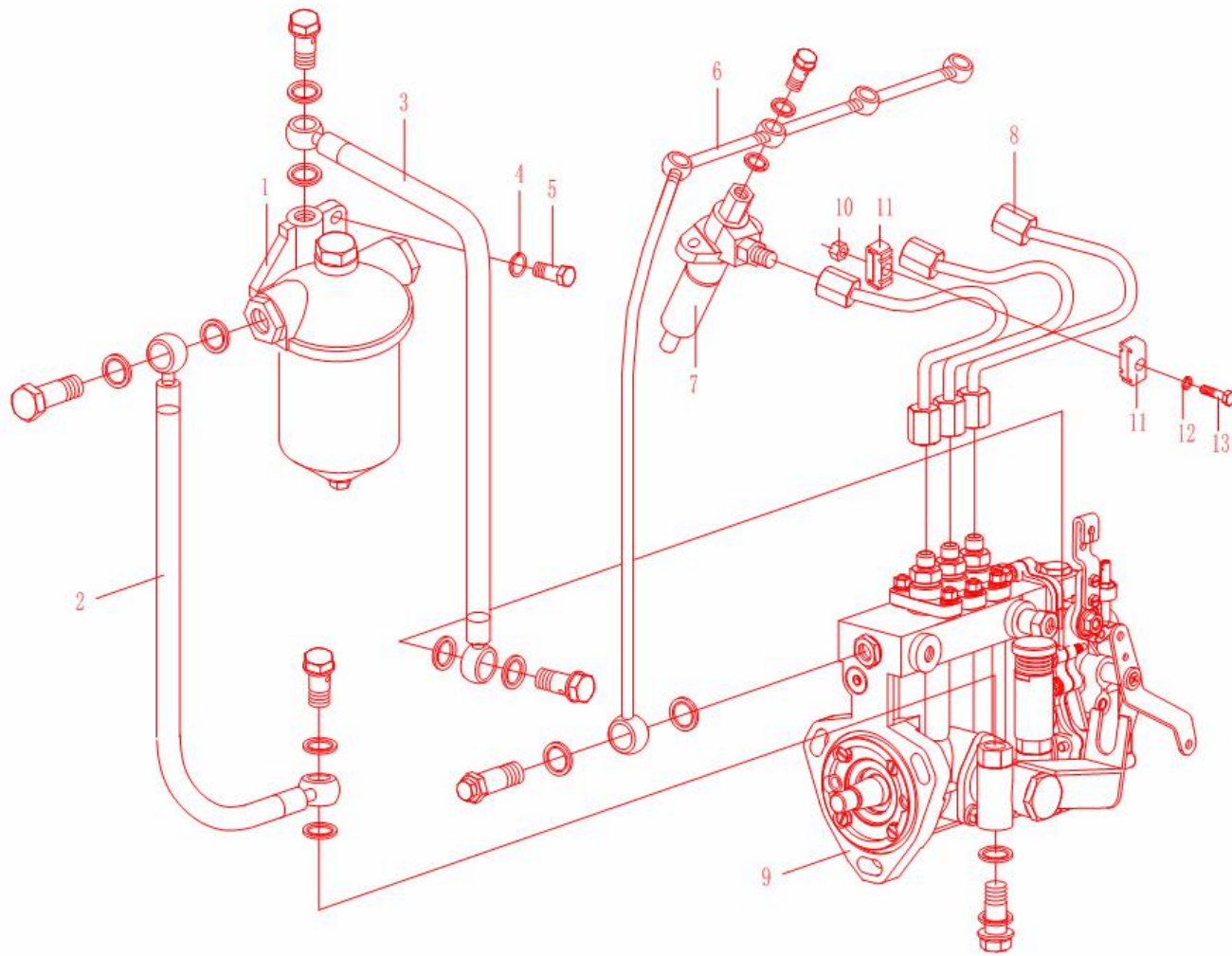
KM385BT-1E1-03 油底壳 OIL SUMP

标号 No.	代号 Code	名称 Description		数量 Quantity	备注 Remark
1	GBT5783-M12X25	六角头螺栓	BOLT;SOCKET;THROUGH	2	
10	LL380-01503	A形组合垫圈	A TYPE COMBINED WASHER	1	
11	LL380-01501	放油螺塞	PLUG,DRAIN	1	
2	GBT93-12	垫圈	WAHSER	2	
3	GBT5783-M10X25	螺栓	BOLT	2	
4	GBT93-10	垫圈10	WASHER 10	2	
5	KM385T-015101	油底壳	OIL SUMP	1	
6	KM385T-015111	油底壳盖垫片	OIL SUMP COVER GASKET	1	
7	KM385T-015104	油底壳盖	OIL SUMP COVER	1	
8	GBT93-8	垫圈8	WASHER 8	18	
9	GBT5783-M8X18	六角头螺栓	BOLT;SOCKET;THROUGH	18	



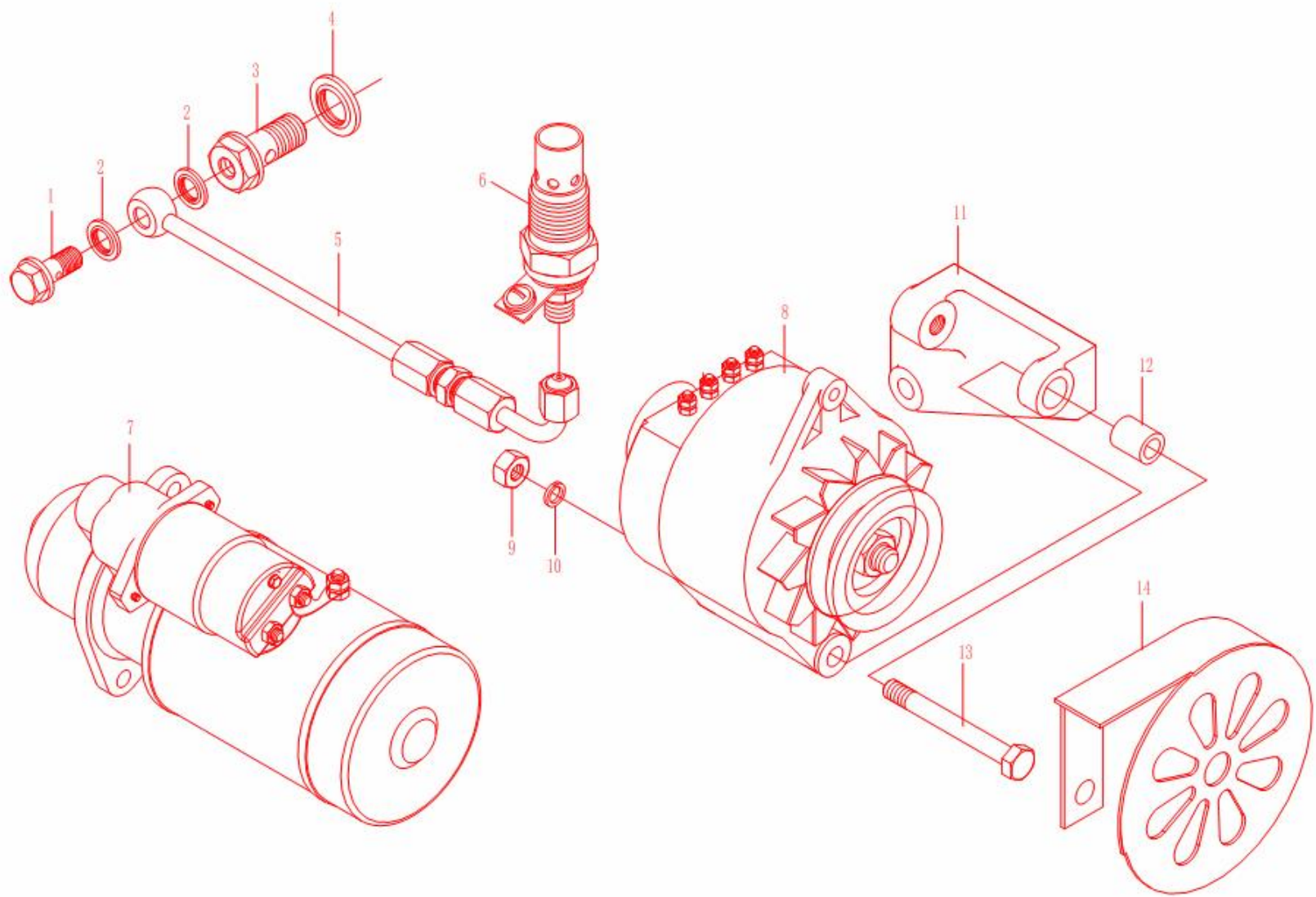
KM385BT-1E1-08 活塞连杆总成 PISTON&CONNECTING ROD ASSEMBLY

标号 No.	代号 Code	名称 Description		数量 Quantity	备注 Remark
1	KM485QB-04010	活塞环总成	PISTON RING ASSEMBLY	3	
4	KM485QB-04005	活塞	PISTON	1	
5	GBT893.1-28	挡圈	RETAINER RING	1	2011-11_
6	KM485QB-04004	活塞销	PISTON PIN	1	2011-11_
7	KM485QB-04200	连杆总成	CONNECTING ROD ASSEMBLY	3	
9	KM485QB-04003	连杆轴瓦	CONNECTING ROD BEARING	2	



KM385BT-1E1-14 燃油系统总成 FUEL SYSTEM ASSY

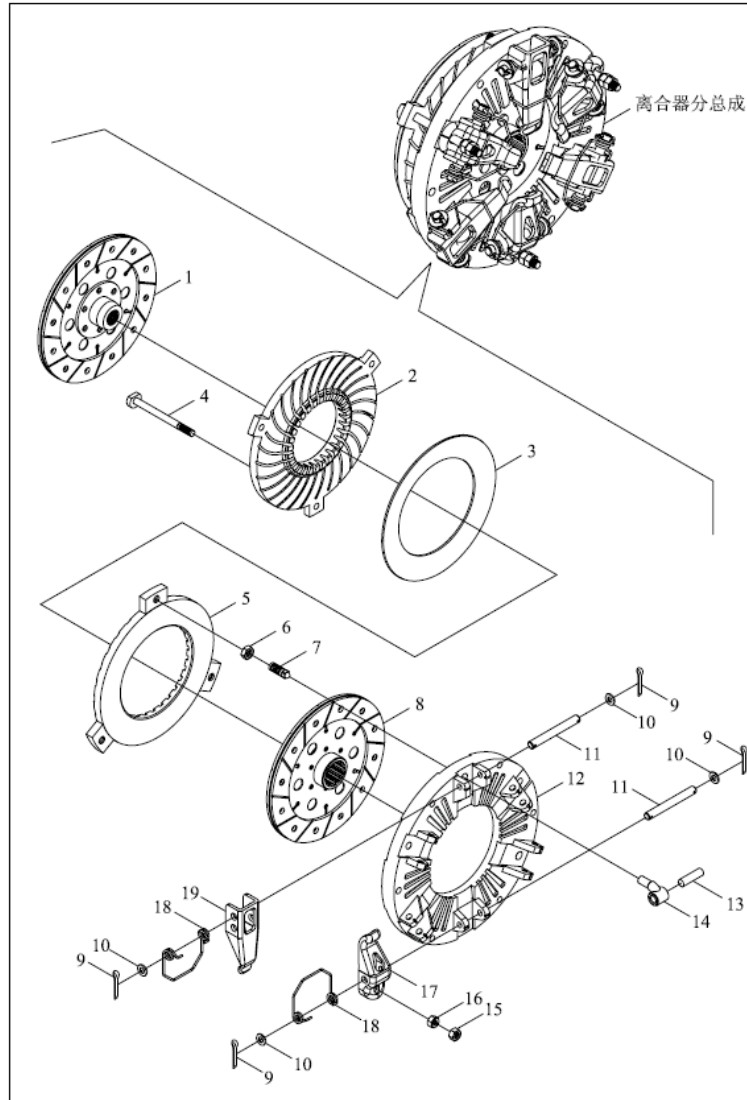
标号 No.	代号 Code	名称 Description		数量 Quantity	备注 Remark
1	L375-10500-1C	燃油滤清器总成	FUEL FILTER ASSEMBLY	1	
1.1	CX0706	柴滤芯	FUEL FILTER	1	
10	GBT6170-M6	螺母	NUT	2	
11	D495QB-10600	高压油管锁夹合件	HIGH PRESSURE OIL PIPE LOCK CLIP UNIT	4	
12	GBT93-6	垫圈	WAHSER	2	
13	GBT65-M6X30	开槽圆柱头螺钉	SCREW	2	
2	KM385T-10700	输油泵至燃油滤清器油管	PIPE FROM OIL CONVEYING PUMP TO FUEL OIL	1	
2	KM385T-10700	输油泵至燃油滤清器油管	FILTER	1	
3	KM385T-10600	燃油滤清器至喷油泵油管	PIPE FROM OIL CONVEYING PUMP TO FUEL OIL	1	
4	GBT93-8	垫圈8	FILTER	1	
5	GBT5783-M8X25	螺栓	OIL PIPE FROM FILTER TO INJECTION PUMP	1	
6	KM385T-10400-3	回油管部件	PIPE	1	
7	LL480B-10300-PK27	喷油器总成	WASHER 8	1	
8	LL380B-10200	高压油管部件	BOLT	3	
9	KM385BT-10100-31344C	喷油泵	OIL RETURN PIPE PARTS	1	
			INJEKTOR ASSEMBLY		
			HIGH PRESSURE OIL PIPE PARTS		
			OIL INJECTION PUMP		



KM385BT-1E1-15 电器系统总成 ELECTRIC SYSTEM ASSEMBLY

标号 No.	代号 Code	名称 Description		数量 Quantity	备注 Remark
1	KM485QB-12603	铰接螺栓	JOINT BOLT	1	
10	GBT93-10	垫圈10	WASHER 10	1	
11	KM385T-01028	发电机固定支架	GENERATOR FASTEN BRACKET	1	
12	L375-01031	发电机支架垫套	GENERATOR BRACKET BUSH	1	
13	GBT5782-M10X100	六角头螺栓	BOLT;SOCKET;THROUGH	1	
14	KM385T-12110	发电机安全护罩	GENERATOR SAFTY COVER	1	
2	L375-03017	防漏垫圈	ANTILEAK WASHER	2	
3	KM485QB-12602	铰接螺栓	JOINT BOLT	1	
4	KM485QB-12607	组合垫圈	COMBINATION GASKET	1	
5	KM485QB-12604-1	预热塞输油管	PREHEATING PLUG OIL PIPE	1	
6	KM485QB-12600-3	预热塞	PREHEATING PLUG	1	
7	KM385T-12300C	起动电机	STARTING MOTOR	1	
8	KM385T-12100-2C	发电机	GENERATOR	1	
9	GBT6170-M10	螺母M10	NUT M10	1	

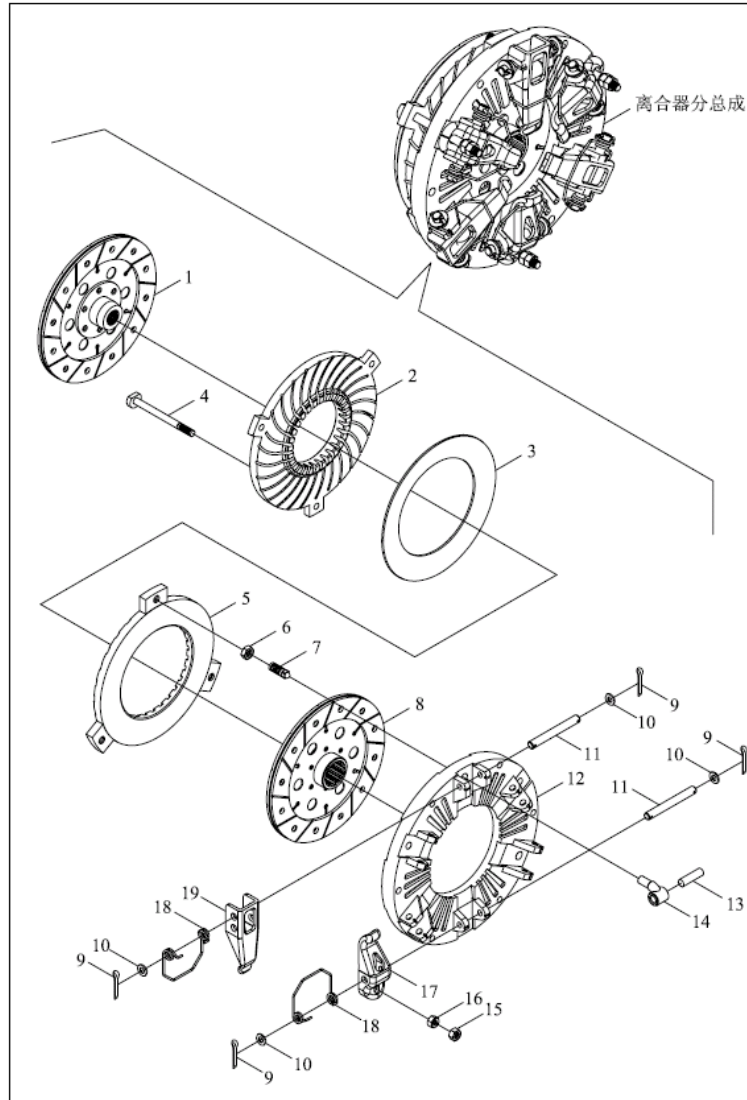
FT250.21B.011 离合器总成



FT250.21B.011 离合器分总成 CLUTCH SUBASSEMBLY

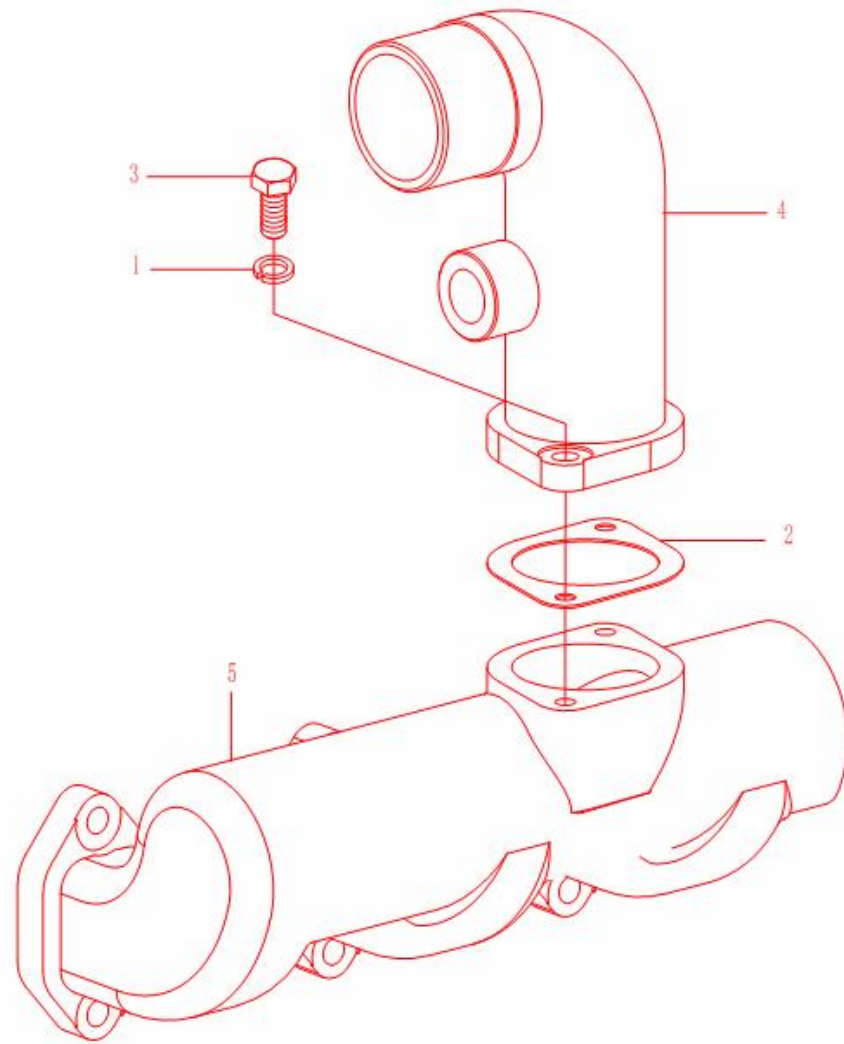
标号 No.	代号 Code	名称 Description		数量 Quantity	备注 Remark
1	FT200.21B.014	副离合器从动盘总成	AUXILIARY CLUTCH DRIVEN PLATE ASSEMBLY	1	2011-11_
1	FT250.21B.014	副摩擦片总成	AUXILIARY FRICTION PIECE ASSEMBLY	1	2013-02_
10	GBT848-10-Zn.D	平垫	WASHER	12	2011-11_
11	FT300.21B.111	长销	LONG PIN	6	2011-11_
12	FT200.21B.115	离合器盖	COVER,CASE	1	2011-11_
13	FT300.21B.109	销轴	JOINT	3	2011-11_
14	FT200.21B.114	主离合器分离推杆	MAIN CLUTCH RELEASE PULL ROD	1	2011-11_
15	GBT6171-M8X1-Zn.D	1型六角螺母	HEXAGON NUT, TYPE-1	3	2011-11_
16	FT300.21B.105	球头螺母	BALL NUT	3	2011-11_
16	FT300.21B.105	球头螺母	BALL NUT	3	2011-11_
17	FT250.21B.118	副离合器分离杠杆	AUXILIARY CLUTCH RELEASE LEVER	3	2012-02_
17	FT200.21B.118	副离合器分离杠杆	AUXILIARY CLUTCH RELEASE LEVER	3	2011-11_
18	FT200.21B.116	离合器分离杠杆弹簧	CLUTCH RELEASE LEVER SPRING	6	2011-11_
18	FT250.21B.121	分离杆弹簧	RELEASE ROD SPRING	6	2013-02_
19	FT250.21B.117	主离合器分离杠杆	MAIN CLUTCH RELEASE LEVER	3	2013-01_
19	FT200.21B.117	主离合器分离杠杆	MAIN CLUTCH RELEASE LEVER	3	2011-11_
19	FT200.21B.117	主离合器分离杠杆	MAIN CLUTCH RELEASE LEVER	3	2011-11_
2	FT250.21B.112	副离合器压盘	AUXILIARY CLUTCH PRESSURE PLATE	1	2011-11_
3	FT250.21B.105	碟形弹簧	BUTTERFLY SPRING	1	2011-11_
3	FT250.21B.105	碟形弹簧	BUTTERFLY SPRING	1	2011-11_
4	FT400.21B.104	副离合器拉杆	AUXILIARY CLUTCH PULL ROD	3	2011-11_
5	FT250.21B.113	主离合器压盘	MAIN CLUTCH PRESSURE PLATE	1	2011-11_
6	GBT6173-M10X1-Zn.D	六角薄螺母	HEXAGON THIN NUT	3	2011-11_
6	GBT6173-M10X1-Zn.D	六角薄螺母	HEXAGON THIN NUT	3	2011-11_
7	FT200.21B.110	主离合器调整螺钉	MAIN CLUTCH ADJUSTING SCREW	3	2011-11_

FT250.21B.011 离合器总成



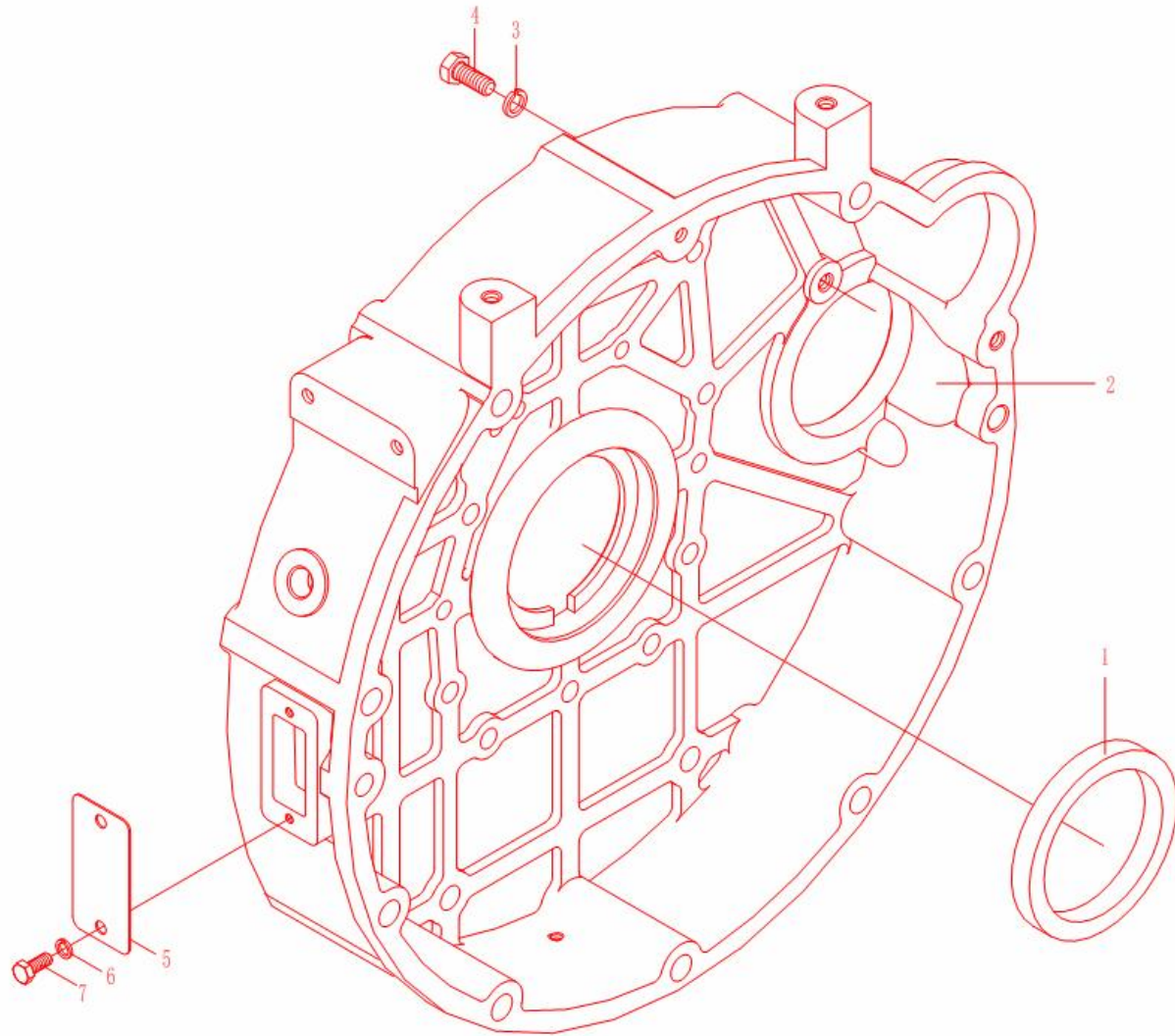
FT250.21B.011 离合器分总成(续)

标号 No.	代号 Code	名称 Description		数量 Quantity	备注 Remark
8	FT250.21B.017	主离合器从动盘总成	MAIN CLUTCH DRIVEN PLATE ASSEMBLY	1	2011-11_
9	GBT91-3.2X20-A0P	开口销	PIN	12	2004-01_
9	GBT91-3.2X20-A0P	开口销	PIN	12	2004-01_



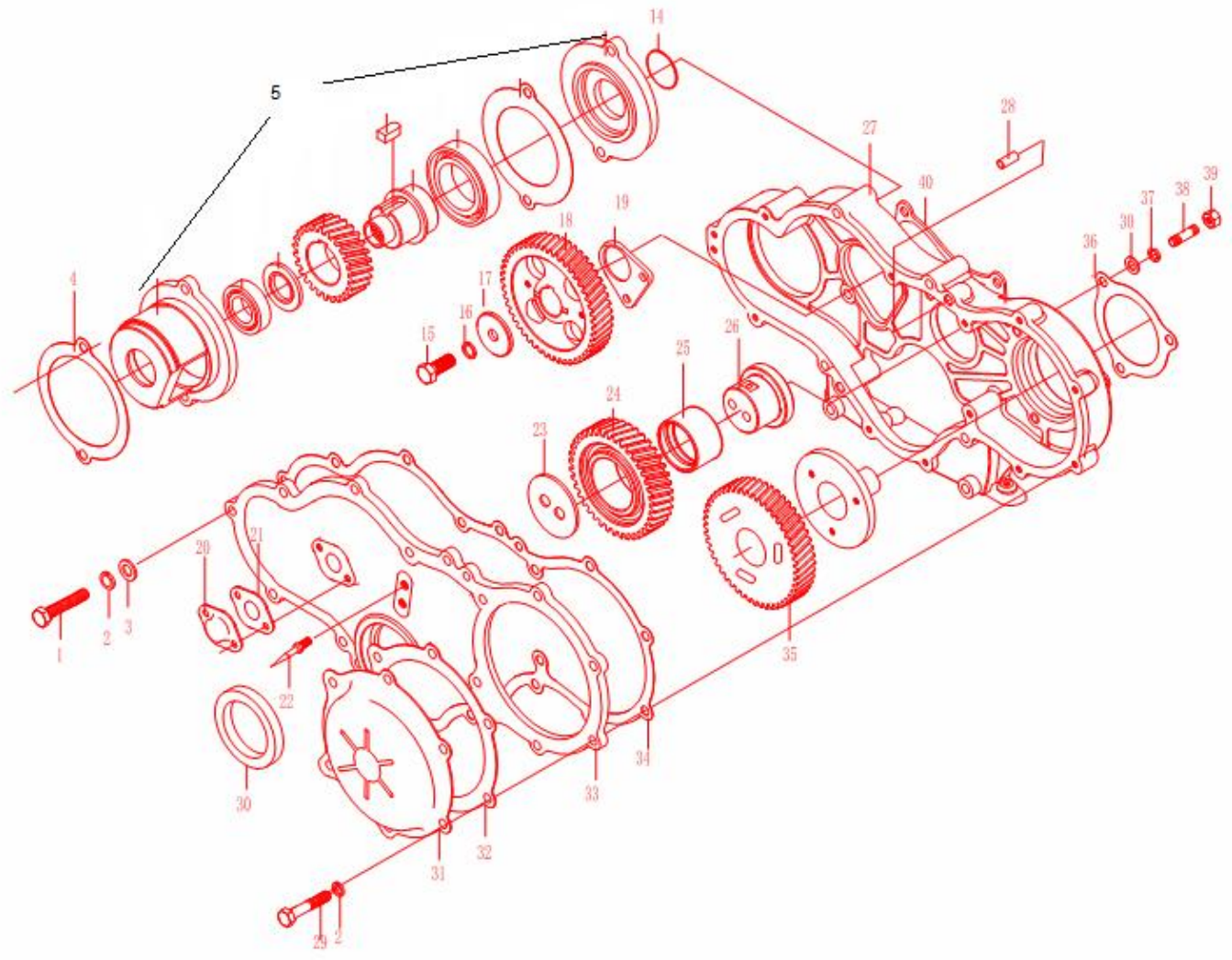
KM385BT-1E1-11 进气系统总成 INTAKE MANIFOLD ASSY

标号 No.	代号 Code	名称 Description		数量 Quantity	备注 Remark
1	GBT93-10	垫圈10	WASHER 10	2	
2	L375Y3-07003	进气管端盖垫片	AIR INLET PIPE END COVER GASKET	1	
3	GBT5783-M10X30	六角头螺栓	BOLT;SOCKET;THROUGH	2	
4	KM385T-07004-6	进气管接头	AIR INTAKE CONNECTOR	1	
5	KM385BT-07001-2	进气管	HOSE	1	



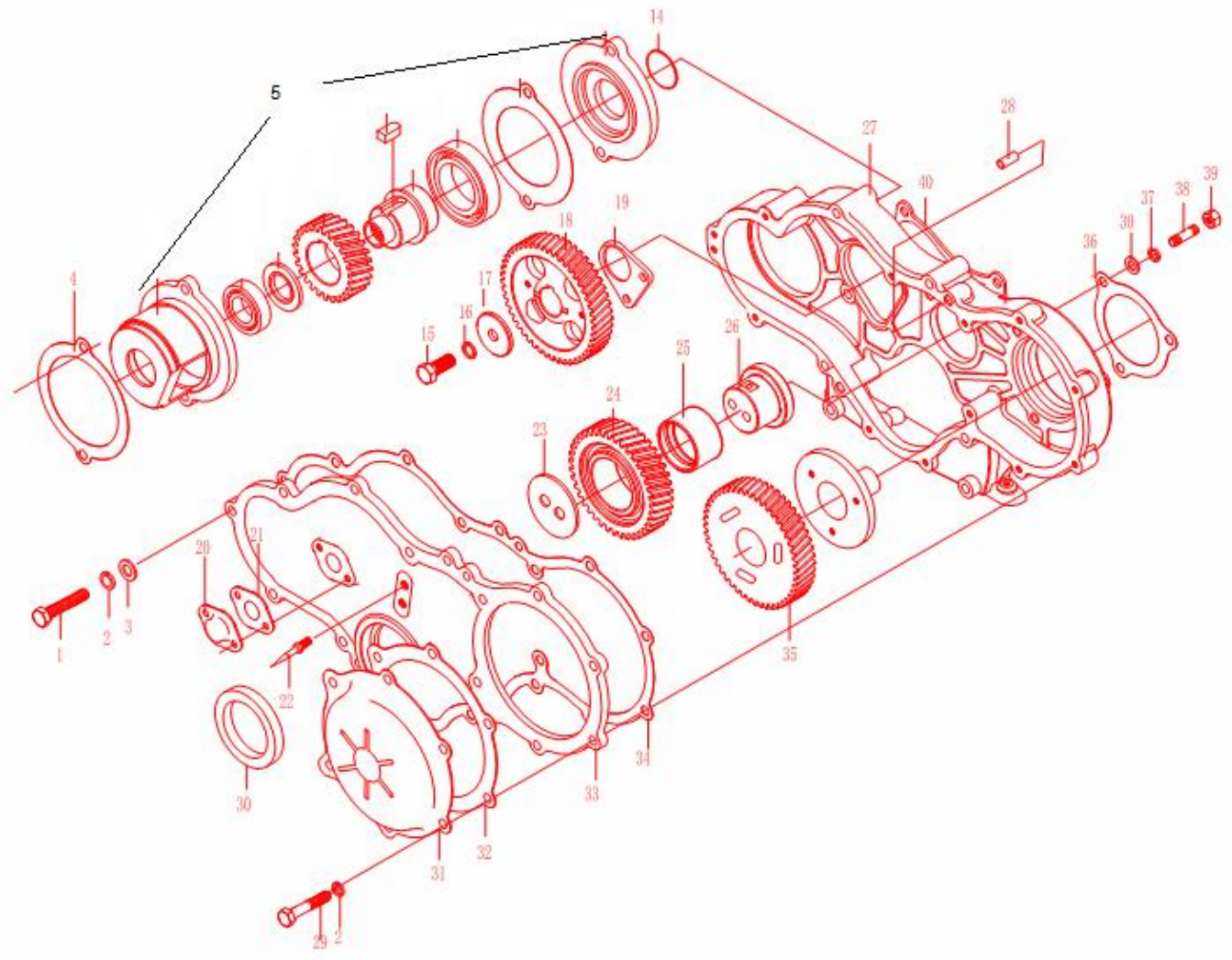
KM385BT-1E1-04 飞轮壳总成 FLYWHEEL HOUSING ASSEMBLY

标号 No.	代号 Code	名称 Description		数量 Quantity	备注 Remark
1	GBT17911.4-DL80X100X12F	骨架式橡胶油封	OIL SEAL	1	
2	KM385T-01010-4	飞轮壳	FLYWHEEL HOUSING	1	
3	GBT93-10	垫圈10	WASHER 10	2	
4	GBT5783-M10X30	六角头螺栓	BOLT;SOCKET;THROUGH	2	
5	LL480-01025	盖板	COVER PLATE	1	
6	GBT93-8	垫圈8	WASHER 8	2	
7	GBT5783-M8X18	六角头螺栓	BOLT;SOCKET;THROUGH	2	



KM385BT-1E1-05 齿轮室总成 GEAR HOUSING ASSEMBLY

标号 No.	代号 Code	名称 Description		数量 Quantity	备注 Remark
1	GBT5783-M8X30	六角头螺栓	BOLT;SOCKET;THROUGH	1	
14	GBT3452.1-37.5X2.65	液压气动用O形橡胶密封圈	O-SEAL RING	1	
15	GBT5783-M12X35	螺栓	BOLT	1	
16	GBT97.1-12-100HV	垫圈	WAHSER	1	
17	KM385T-02013	凸轮轴正时齿轮压板	CAMSHAFT TIMING GEAR PRESSURE PLATE	1	
17	KM385T-02013	凸轮轴正时齿轮压板	CAMSHAFT TIMING GEAR PRESSURE PLATE	1	
18	KM385T-02003	凸轮轴正时齿轮	CAMSHAFT TIMING GEAR	1	
19	L375-02004	凸轮轴齿轮挡圈	CAMSHAFT GEAR CIRCLIP	1	
2	GBT97.1-8-100HV	平垫圈	FLAT WASHER	2	
20	KM385T-01012	正时齿轮室盖盖板	TIMING GEAR CASE COVER PLATE	1	
22	KM385T-01034	上止点指针	FINGER、UPPER STOPPING POINT	1	
23	L375-01014	惰齿轮压板	IDLE GEAR PRESSURE PLATE	1	
24	KM385T-01402	惰齿轮	IDLE GEAR	1	
27	KM385T-01007	正时齿轮室	TIMING GEAR HOUSING	1	
28	GBT119-B8	圆柱销	PIN	1	
29	GBT5782-M8X55	六角头螺栓	BOLT;SOCKET;THROUGH	1	
3	GBT93-8	垫圈8	WASHER 8	1	
30	GBT17911.4-DR55X75X12F	骨架式橡胶油封	OIL SEAL	1	
31	L375-01025-1	齿轮室前盖	GEAR CHAMBER FRONT COVER	1	
32	L375-01030	正时齿轮室前盖垫片	GEAR CASE FRONT COVER GASKET	1	
33	KM385T-01015-2	正时齿轮室盖	TIMING GEAR COVER	1	
34	KM385T-01009	齿轮室盖垫片	JOINT	1	
35	L480Q-01011	喷油泵正室齿轮		1	
36	L375-01010A	燃油泵紧固垫	FUEL PUMP FASTEN GASKET	1	
38	GBT898-M8X20	双头螺柱	STANDARD SPING GASKET	1	



KM385BT-1E1-05 齿轮室总成(续)

标号 No.	代号 Code	名称 Description		数量 Quantity	备注 Remark
39	GBT6170-M8	螺母M8	NUT M8	1	
4	KM385T-01708	液压泵连接过渡板垫片	HYDRAULIC PUMP CONNECTING TRANSITION	1	
40	L375-01007	齿轮室垫片	PLATE WASHER	1	
5	KM385T-01700-1	液压泵传动部件	GASKET HYDRAULIC PUMP TRANSMISSION PARTS	1	