



**NICOLA'S  
MACHINERY**

# **TRACTOR PARTS CATALOGUE**

## **TRIDENT MODEL 554/604**



ABN: 14617249831  
Direct Line: 08 7228 6817



Website: [www.nicolasmachinery.com.au](http://www.nicolasmachinery.com.au)  
Address: 40 Donegal Road Lonsdale, SA 5160

# 目录 CONTENTS

序号 No.	代码 Code	名称 Description		页次 Page
1	A498BT1-6A-1	10.1-机体总成及附件-1	BODY ASSEMBLY AND ACCESSORY-1	1
2	A498BT1-6A-10	10.10-燃油供油系统-10	FUEL SUPPLY SYSTEM ASSEMBLY-10	7
3	A498BT1-6A-11	10.11-机油滤清器总成启动电机及充电发		9
4	A498BT1-6A-2	10.2-气缸盖及配气机构	CYLINDER HEAD AND GAS EXCHANGING SYSTEM	11
5	A498BT1-6A-3	10.3-油底壳-3	OIL SUMP ASSEMBLY-3	19
6	A498BT1-6A-4	10.4-活塞连杆总成-4	PISTON CONNECTING ROD ASSEMBLY-4	21
7	A498BT1-6A-5	10.5-曲轴飞轮总成-5	CRANKSHAFT FLYWHEEL ASSEMBLY-5	23
8	A498BT1-6A-6	10.6-正时齿轮传动系总成-6	TIMING GEAR TRAIN ASSEMBLY-6	25
9	A498BT1-6A-7	10.7-气缸盖罩总成	CYLINDER HEAD COVER ASSEMBLY-7	29
10	A498BT1-6A-8	10.8-机油泵机油管路总成-8	OIL PUMP AND OIL PIPE ASSEMBLY-8	31
11	A498BT1-6A-9	10.9-冷却水泵风扇部件-9	COOLING WATER PUMP AND FAN ASSEMBLY-9	35
12	TB400.11	11-空气滤清系总成	11-AIR CLEANER ASSEMBLY	39
13	TB500.13Y	13-冷却系总成	13-COOLING SYSTEM ASSEMBLY	41
14	TB400.20G-1	20.1-发动机操纵机构总成-1	20.1ENGINE CONTROL MECHANISM ASSEMBLY-1	43
15	TB400.20G-2	20.2-发动机操纵机构总成-2	20.2ENGINE CONTROL MECHANISM ASSEMBLY-2	45
16	TB550.211A	21.1-离合器总成	21.1-CLUTCH ASSEMBLY	47
17	TB504.212	21.2-离合器操纵机构总成	21.2-CLUTCH CONTROL MECHANISM ASSEMBLY	49
18	TB504.311-1	31.1.1-前驱动桥总成-1	FRONT DRIVING AXLE ASSEMBLY-1	51
19	TB504.311-2	31.1.2-前驱动桥总成-2	FRONT DRIVING AXLE ASSEMBLY-2	53
20	TB504.311-3	31.1.3-前驱动桥总成-3	FRONT DRIVING AXLE ASSEMBLY-3	57
21	TB504.311-4	31.1.4-前驱动桥总成-4	FRONT DRIVING AXLE ASSEMBLY-4	61
22	TB504.311-5	31.1.5-前驱动桥总成-5	FRONT DRIVING AXLE ASSEMBLY-5	65
23	TB504.311-6	31.1.6-前驱动桥总成-6	FRONT DRIVING AXLE ASSEMBLY-6	69
24	TB554.312	31.2-前托架总成	31.2-FRONT BRACKET ASSEMBLY	71
25	FT404.32F.001	32-前驱动轮总成	32-FRONT DRIVING WHEEL ASSEMBLY	73

# 目录 CONTENTS

序号 No.	代码 Code	名称 Description		页次 Page
26	FT400.34F.001	34-后驱动轮总成	34-REAR DRIVE WHEEL ASSEMBLY	75
27	FT300.35A.001	35-牵引机构总成	35-TOWING MECHANISM ASSEMBLY	77
28	TB400.371B	37.1-变速箱壳体总成	37.1-GEARBOX HOUSING ASSEMBLY	79
29	TB400.372D-1	37.2.1-主变速总成-1	MAIN TRANSMISSION ASSEMBLY-1	81
30	TB400.372D-2	37.2.2-主变速总成-2	MAIN TRANSMISSION ASSEMBLY-2	85
31	TB450.373B	37.3-副变速总成	37.3-AUXILIARY GEARSHIFT ASSEMBLY	87
32	TB450.374B-1	37.4.1变速箱操纵机构总成-1	37.4TRANSMISSION CONTROL MECHANISM	89
33	TB450.374B-2	37.4.2变速箱操纵机构总成-2	GEARBOX CONTROL MECHANISM ASSEMBLY-2	91
34	TB504.382-1	38.2.1-后桥中央传动总成-1	REAR AXLE CENTRAL TRANSMISSION ASSEMBLY-1	95
35	TB504.382-2	38.2.2-后桥中央传动总成-2	REAR AXLE CENTRAL TRANSMISSION ASSEMBLY-2	97
36	TB554.383A	38.3-差速锁操纵机构总成	38.3-DIFFERENTIAL LOCK CONTROL MECHANISM	99
37	TB554.385	38.5-梭式换挡机构总成	38.5-SHUTTLE SHIFT MECHANISM ASSEMBLY	101
38	FT300.39.001-1	39.1-最终传动总成-1	39FINAL TRANSMISSION ASSEMBLY -1	105
39	FT300.39.001-2	39.2-最终传动总成-2	39FINAL TRANSMISSION ASSEMBLY -2	109
40	TB504.402B-1	40.1-全液压转向管路总成-1	FULL HYDRAULIC STEERING PIPE ASSEMBLY-1	113
41	TB504.401B	40.1-转向器及转向管柱总成	40.1-REDIRECTOR OR STEERING COLUMN ASSEMBLY	117
42	TB504.402B-2	40.2-全液压转向管路总成-2	FULL HYDRAULIC STEERING PIPE ASSEMBLY-2	119
43	TB400.411D	41.1-动力输出齿轮总成	41.1-PTO GEAR ASSEMBLY	121
44	TB550.412A	41.2-动力输出轴总成	41.2-PTO SHAFT ASSEMBLY	125
45	TB550.413D	41.3-动力输出操纵总成	41.3-PTO CONTROL ASSEMBLY	127
46	TB554.421C	42.1-分动箱箱体总成	42.1-TRANSFER CASE HOUSING ASSEMBLY	131
47	TB454.422	42.2-分动箱传动总成	42.2-TRANSFER CASE TRANSMISSION ASSEMBLY	135
48	TB554.423C	42.3-分动箱操纵总成	42.3-TRANSFER CASE CONTROL ASSEMBLY	137
49	TB504.431	43.1-左制动器总成	43.1-LEFT BRAKE ASSEMBLY	139
50	TB504.432	43.2-右制动器总成	43.2-RIGHT BRAKE ASSEMBLY	141

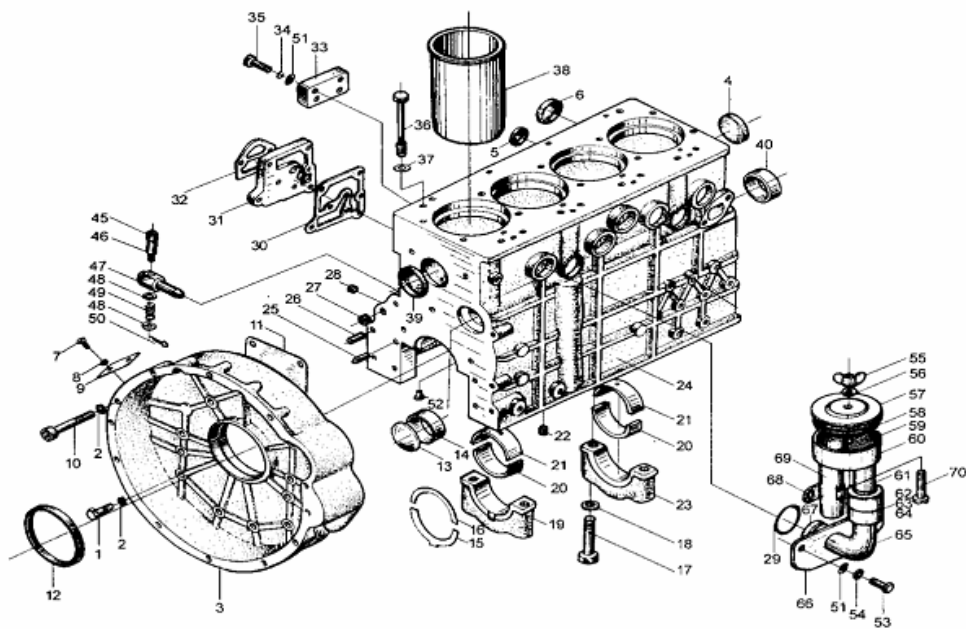
# 目录 CONTENTS

序号 No.	代码 Code	名称 Description		页次 Page
51	TB504.433-1	43.3.1-制动器操纵机构总成-1	BRAKE CONTROL MECHANISM ASSEMBLY-1	143
52	TB504.433-2	43.3.2-制动器操纵机构总成-2	BRAKE CONTROL MECHANISM ASSEMBLY-2	145
53	TB400.44G	44-座椅安装总成	44SEAT INSTALLATION ASSEMBLY	149
54	TB550.452J-1	45.2.1-地板总成-1	FLOOR ASSEMBLY-1	151
55	TB550.452J-2	45.2.2-地板总成-2	FLOOR ASSEMBLY-2	153
56	TB550.452J-3	45.2.3-地板总成-3	FLOOR ASSEMBLY-3	155
57	TB400.457B	45.7-前连接总成	45.7-FRONT CONNECTING ASSEMBLY	157
58	TB400.46N	46-安全架安装总成	46-SAFETY FRAME INSTALLATION ASSEMBLY	159
59	TB400B.471A	47.1-机罩总成	47.1-BONNET ASSEMBLY	161
60	TB400B.473	47.3-机罩锁紧装置总成	47.3-BONNET LOCKING DEVICE ASSEMBLY	163
61	TB550.477E	47.7-机罩加长板总成	47.7-BONNET EXTENSION PLATE ASSEMBLY	165
62	TB450.481H	48.1-发动机线束安装总成	48.1-ENGINE HARNESS INSTALLATION ASSEMBLY	167
63	TB450.482H	48.2-车身线束安装总成	48.2-BODY HARNESS INSTALLATION ASSEMBLY	169
64	TB450.483B	48.3-前灯线束安装总成	48.3-FRONT LAMP HARNESS INSTALLATION	171
65	TB500.484C	48.4-后灯线束安装总成	48.4-REAR LAMP HARNESS INSTALLATION ASSEMBLY	173
66	TB450.485A	48.5-蓄电池安装总成	48.5-BATTERY INSTALLATION ASSEMBLY	177
67	TB400.487	48.7-组合仪表总成	48.7-COMBINED INSTRUMENT ASSEMBLY	179
68	TB400.49	49-工具箱总成	49-TOOL BOX ASSEMBLY	181
69	FT300.49.001	49-工具箱总成	49-TOOL BOX ASSEMBLY	183
70	TB400.50X	50-燃油箱装配总成	50-FUEL TANK INSTALLATION assembly	185
71	TB504.551A	55.1-提升器装配总成	55.1-LIFTER INSTALLATION ASSEMBLY	187
72	TB504.551A-1	55.1-提升器装配总成-1	LIFTER INSTALLATION ASSEMBLY-7-1	189
73	TB504.552C	55.2-提升器操纵机构总成	55.2-LIFTER CONTROL MECHANISM ASSEMBLY	193
74	TB504.551A-2	55.2-提升器装配总成-2	LIFTER INSTALLATION ASSEMBLY-7-2	197
75	TB504.551A-3	55.3-提升器装配总成-3	LIFTER INSTALLATION ASSEMBLY-7-3	199

# 目录 CONTENTS

序号 No.	代码 Code	名称 Description		页次 Page
76	TB504.551A-4	55.4-提升器装配总成-4	LIFTER INSTALLATION ASSEMBLY-4	203
77	TB504.551A-5	55.5-提升器装配总成-5	LIFTER INSTALLATION ASSEMBLY-5	205
78	TB504.551A-6	55.6-提升器装配总成-6	LIFT ASSEMBLY-6	209
79	TB504.551A-7	55.7-提升器装配总成-7	LIFT ASSEMBLY-7	211
80	FT500A.56B.001-1	56.1-悬挂机构总成-1	SUSPENSION MECHANISM ASSEMBLY-1	215
81	FT500A.56B.001-2	56.2-悬挂机构总成-2	SUSPENSION MECHANISM ASSEMBLY-2	219
82	FT454.58H.001	58-油泵油管总成		221
83	TB504.582C	58.2-多路阀操纵机构总成	58.2-MULTI-WAY VALVE CONTROL MECHANISM	223
84	TB504.582C-1	58.2.1-多路阀操纵机构总成-1	MULTI-WAY VALVE CONTROL MECHANISM	225
85	TB504.582C-2	58.2.2-多路阀操纵机构总成-2	MULTI-WAY VALVE CONTROL MECHANISM	227
86	TB504.582C-3	58.2.3-多路阀操纵机构总成-3	MULTI-WAY VALVE CONTROL MECHANISM	229
87	TB300.583A	58.3-单路液压输出总成2	58.3-SINGLE-WAY HYDRAULIC OUTPUT ASSEMBLY 2	233
88	TA600.62ZC	62-安全带	62-SAFETY BELT	235
89	FT404.74A.002	74-前配重总成	74-FRONT BALLAST ASSEMBLY	237
90	FT300.74B.001	74-前配重架总成	74-FRONT BALLAST BRACKET ASSEMBLY	239
91	TB400.91	91-后配重总成	91-REAR BALLAST ASSEMBLY	241
92	TB504.384	后桥壳体总成	REAR AXLE HOUSING ASSEMBLY	243

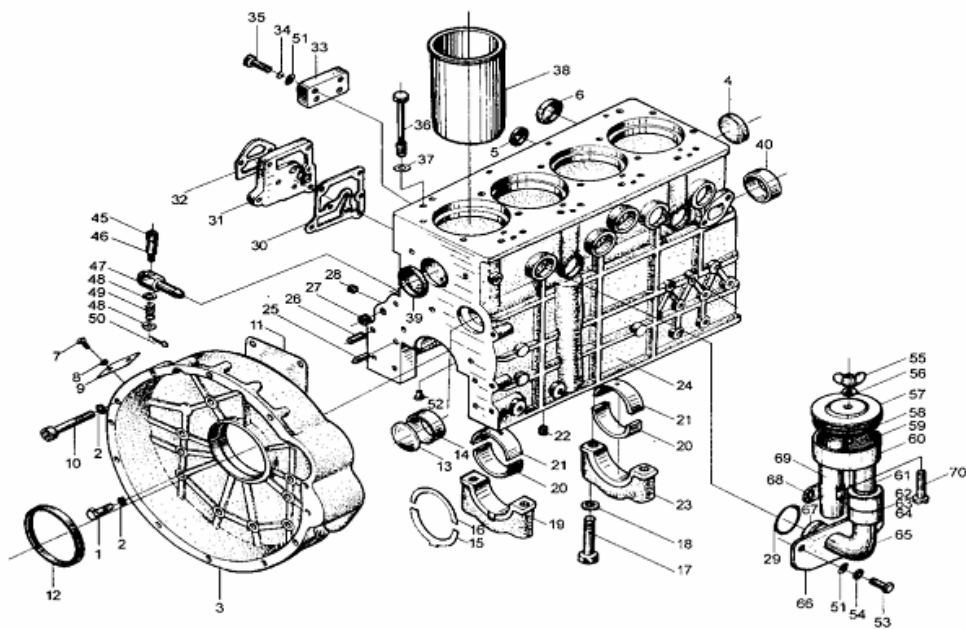
机体总成及附件 Body assembly and accessory



A498BT1-6A-1 10.1-机体总成及附件-1 BODY ASSEMBLY AND ACCESSORY-1

标号 No.	代号 Code	名称 Description		数量 Quantity	备注 Remark
1	GBT5783-M12X32	六角头螺栓	BOLT	4	2011-11_
1	GBT5783-M12X32	六角头螺栓	BOLT	4	2011-11_
10	GBT70-M12X90	内六角圆柱头螺钉	SCREW	2	2011-11_
11	490BT-13004	飞轮壳垫片	FLYWHEEL HOUSING GASKET	1	2011-11_
12	100X125X12	油封王	OIL SEAL	1	2011-11_
13	490B-01009	堵塞58	PLUG 58	1	
14	495B-01008A	后凸轮轴衬套	REAR CAMSHAFT BUSH	1	2011-11_
15.16	495B-01022A/01026A	止推片	THRUST SHIM	2	
17	A498B-01019A	主轴承螺栓	MAIN BEARING BOLT	10	
18	490B-01018	主轴承螺栓垫圈	MAIN BEARING BOLT WASHER	10	2011-11_
19	A498B-01023	后主轴承盖	REAR MAIN BEARING COVER	1	2011-11_
2	GBT93-12	垫圈	WASHER	8	2011-11_
20.21	495B-01033A/01034A	主轴瓦总成	MAIN BEARING	4	
22	490B-01027	堵塞	PLUG	1	2011-11_
23	A498B-01032	主轴承盖	MAIN BEARING COVER	4	2011-11_
24	A498B-01001	机体	BLOCK	1	2011-11_
24	A498B-01001	机体	BLOCK	1	2011-11_
25	GBT119.2-B8X20	圆柱销	PIN	2	2011-11_
26	GBT119.2-B10X25	圆柱销	PIN	2	2011-11_
27	490B-01080	碗形塞片15	BOWL SHIM 15	2	
28	490B-01029	螺塞R1/8	SCREW PLUG R1/8	6	
29	490B-34009	O型密封圈	O RING	1	2011-11_
3	490BT-13001	飞轮壳	Flywheel Housing	1	2011-11_
30	490B-01071	机油滤座垫片	OIL FILTER GASKET	1	2011-11_
31	490B-01072	机油滤座垫板	OIL FILTER BACK PLATE	1	2011-11_

机体总成及附件 Body assembly and accessory

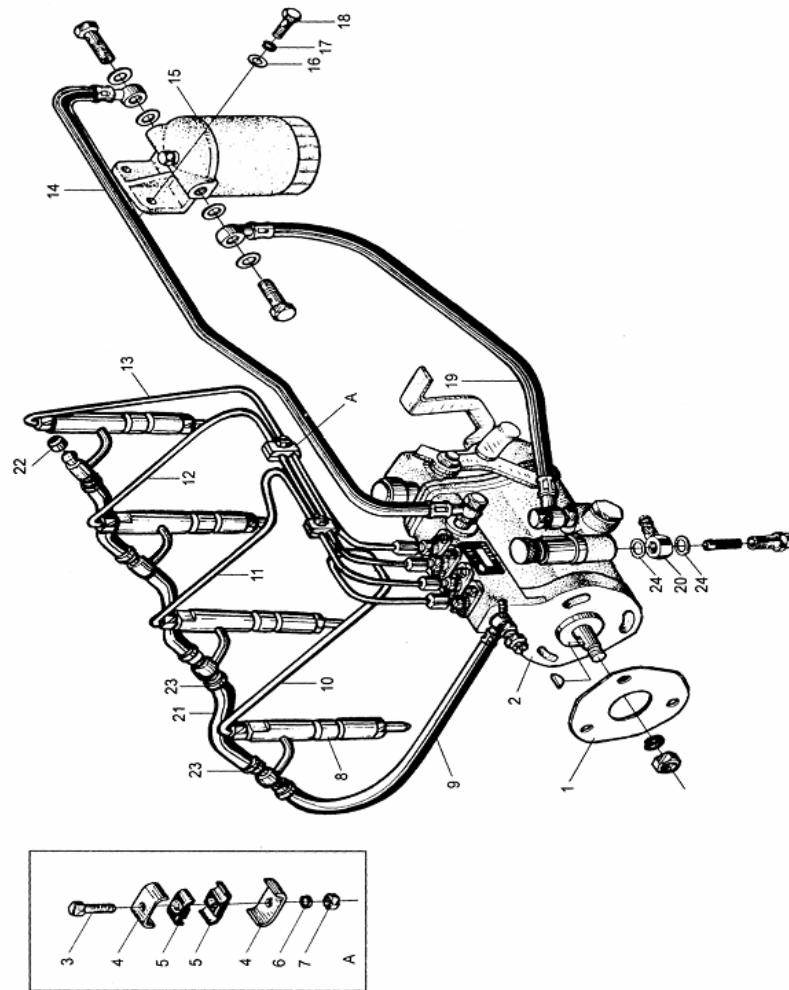




## A498BT1-6A-1 10.1-机体总成及附件-1(续)

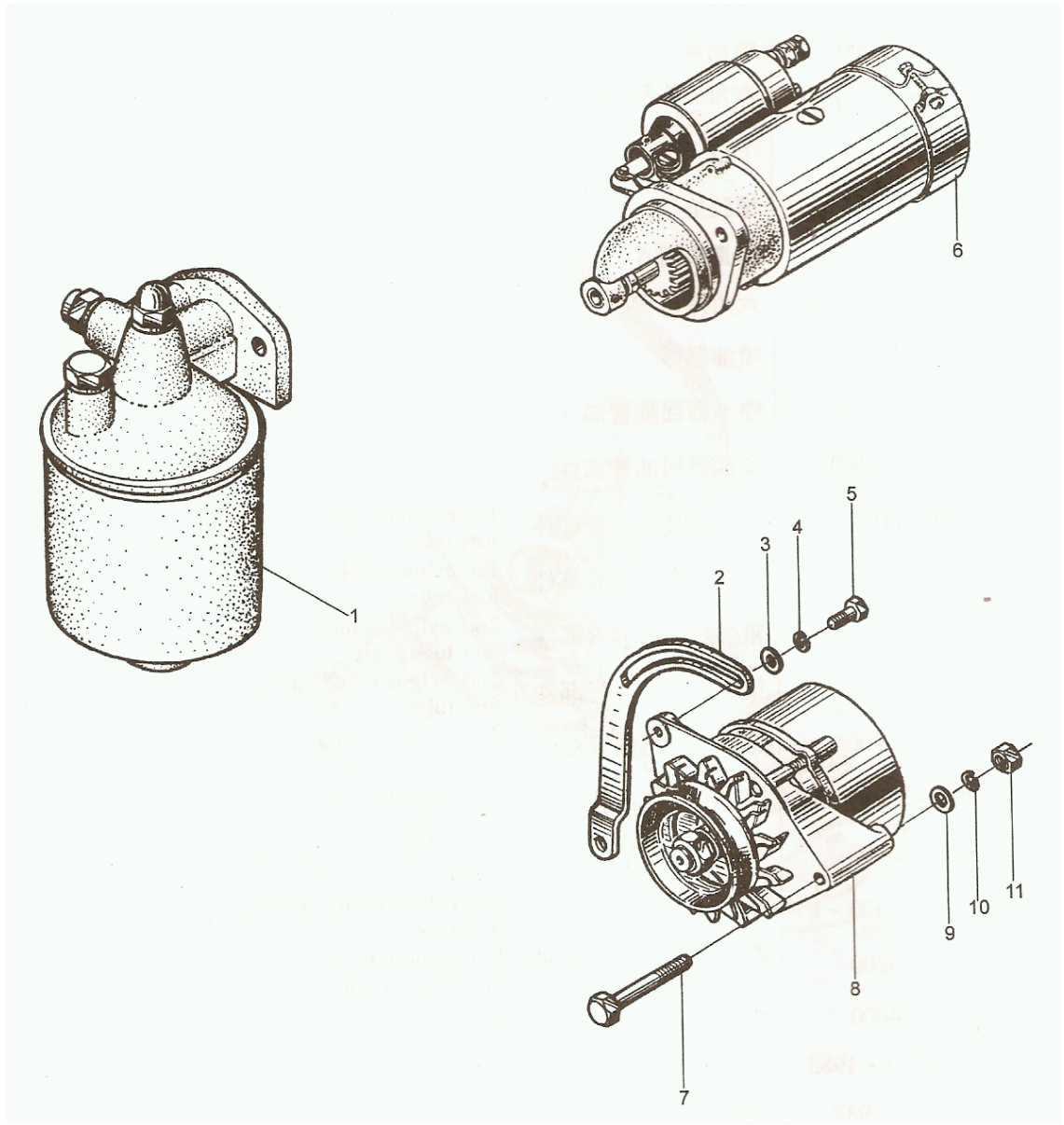
标号 No.	代号 Code	名称 Description		数量 Quantity	备注 Remark
32	490B-01073	机油滤清器垫片	OIL FILTER GASKET	1	2011-11_
33	490B-01076B	柴油滤清器垫板	FUEL FILTER BACK PLATE	1	2011-11_
34	GBT93-8	垫圈8	WASHER 8	11	2011-11_
35	GBT5783-M8X22	六角头螺栓	BOLT	4	2011-11_
36	490B-01002A	气缸盖螺栓(甲)	CYLINDER COVER BOLT (1)	14	2011-11_
36	490B-01003A	气缸盖螺栓(乙)	CYLINDER COVER BOLT (2)	4	2011-11_
37	490B-01044	气缸盖螺栓垫圈	CYLINDER COVER BOLT WASHER	18	
38	A498B-01005	气缸套	CYLINDER LINER	4	2011-11_
39	495B-01050	碗形塞片60		1	
4	495B-01047	碗形塞片50	BOWL SHIM 50	1	
40	495B-01007A	凸轮轴衬套	CAMSHAFT BUSH	2	2011-11_
41	490B-01012	进水管垫片	WATER INLET PIPE GASKET	1	2011-11_
42	A490BZL-01082-1	进水口盖板	COVER PLATE	1	2011-11_
43	GBT5783-M8X22	六角头螺栓	BOLT	2	2011-11_
44	490BT-01100	放水开关总成	DRAIN SWITCH ASSEMBLY	1	2011-11_
45	HG4-404-82	放水胶管	DRAIN PIPE	1	2011-11_
46	490BT-01105	放水胶管固定架	DRAIN PIPE FIXING BRACKET	1	2011-11_
5	490B-03017	碗形塞片20		3	
52	495B-01015	机油喷咀	OIL INJECTOR	4	2011-11_
53	GBT5783-M8X16	螺栓	BOLT	2	2011-11_
54	GBT5783-M8X30	六角头螺栓	BOLT	5	2011-11_
55	490B-34000C	呼吸器总成		1	2011-11_
6	490B-01079	碗形塞片40	BOWL SHIM 40	10	
7	GBT67-M6X10	开槽盘头螺钉	SLOTTED PAN HEAD SCREW	2	2011-11_
8	GBT93-6	垫圈	WASHER	2	2011-11_

A490BT、C490BT 燃油供油系统 Fuel supply system assembly



A498BT1-6A-10 10.10-燃油供油系统-10 FUEL SUPPLY SYSTEM ASSEMBLY-10

标号 No.	代号 Code	名称 Description		数量 Quantity	备注 Remark
1	490B-16011-1	喷油泵法兰垫片	OIL INJECTION PUMP FLANGE GASKET	1	2011-11_
10	A490B-23100	第一缸高压油管部件	1ST CYLINDER HIGHT-PRESSURE OIL PIPE	1	2011-11_
11	A490B-23200	第二缸高压油管部件	ASSEMBLY	1	2011-11_
12	A490B-23300	第3缸高压油管部件	2ST CYLINDER HIGHT-PRESSURE OIL PIPE	1	2011-11_
13	A490B-23400	第四缸高压油管部件	ASSEMBLY	1	2011-11_
14	490B-25200	滤清器至喷油泵进油管部件	LINE AS.-FUEL INJECTION 4ST CYLINDER HIGHT-PRESSURE OIL PIPE	1	2011-11_
15	490B-24000A	柴油滤清器总成	ASSEMBLY	1	2011-11_
16	GBT97.1-8	垫圈		2	2011-11_
17	GBT93-8	垫圈8	FUEL SUPPLY TUBE FROM FUEL FILTER TO	2	2011-11_
18	GBT5783-M8X30	六角头螺栓	INJECTION PUMP FUEL FILTER ASSEMBLY	2	2011-11_
19	490B-25300	输油泵至滤清器进油管部件	WASHER	1	2011-11_
2	B253D-1	喷油泵	WASHER 8	1	2011-11_
20	490B-25401	输油泵进油接头	BOLT	1	
21	498B-25002	喷油器回油胶管		3	2011-11_
22	498B-25001	喷油器回油防漏帽	FUEL SUPPLY TUBE FROM SUPPLY PUMP TO FUEL FILTER	1	2011-11_
23	498B-25004	环箍	OIL INJECTION PUMP	10	2011-11_
24	A490B-22001	铜垫	OIL INLET JOINT OF OIL CONVEYING PUMP	4	2011-11_
25	DZXH12B-12V	电熄火器	OIL INJECTOR RETURN RUBBER PIPE	1	2011-11_
3	GBT29.1-M6X25	六角头头部带槽螺栓	OIL INJECTOR RETURN CAP	3	2011-11_
4	490B-23501	卡箍		6	2011-11_
5	490B-23502	橡胶垫	Clip COPPER WASHER	6	2011-11_
6	GBT93-6	垫圈	ELECTRONIC FLAME	3	2011-11_
7	GBT6172-M6	六角薄螺母	HEXAGON BOLT	3	2011-11_
8	A490B-22000	喷油器总成	CLAMP HOOP	4	2011-11_
9	C490BT-25400-3	喷油器回油管部件		1	2011-11_

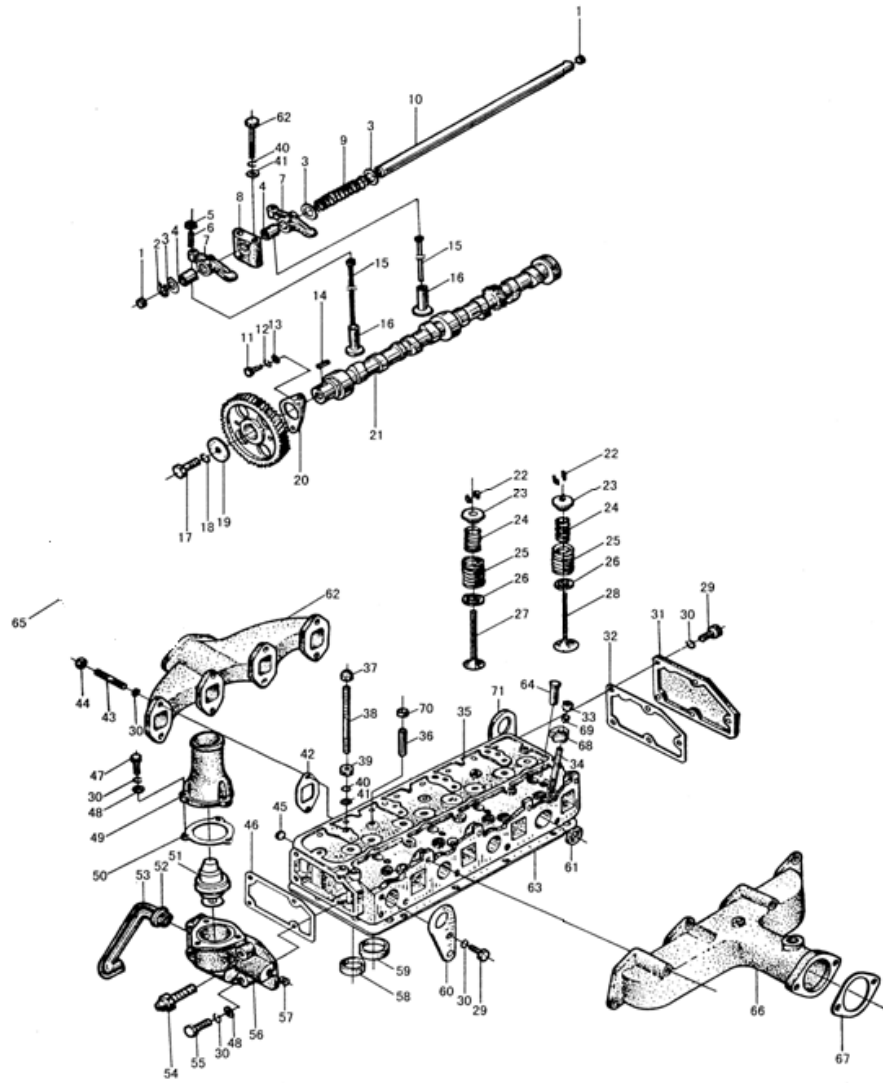


A498BT1-6A-11 10.11-机油滤清器总成起动电机及充电发电机总成-11 OIL FILTER、STARTING AND  
GENERATOR ASSEMBLY -11

标号 No.	代号 Code	名称 Description		数量 Quantity	备注 Remark
1	490B-32000B	机油滤清器总成	OIL FILTER ASSEMBLY	1	2011-11_
1.1	JX85100C	机油滤芯	ROLLING WHEEL	0	2011-11_
10	GBT93-10	垫圈10	WASHER 10	1	2011-11_
11	GBT6170-10	螺母	NUT	1	2011-11_
12	490BT-53005	发电机皮带轮保护罩	COVER	1	2011-11_
2	495BT-53001-1	发电机撑架	GENERATOR BRACKET	1	2011-11_
3	GBT97.1-8	垫圈	WASHER	1	2011-11_
4	GBT97.1-8	垫圈	WASHER	1	2011-11_
5	GBT5783-M8X25	螺栓	BOLT	1	2011-11_
6	QDJ1409	起动电机	Motor Starter	1	2011-11_
8	JF15	发电机	GENERATOR	1	
9	GBT97.1-10	垫圈10	WASHER 10	1	2011-11_

# 气缸盖及配气机构

## Cylinder head and gas exchanging system assembly

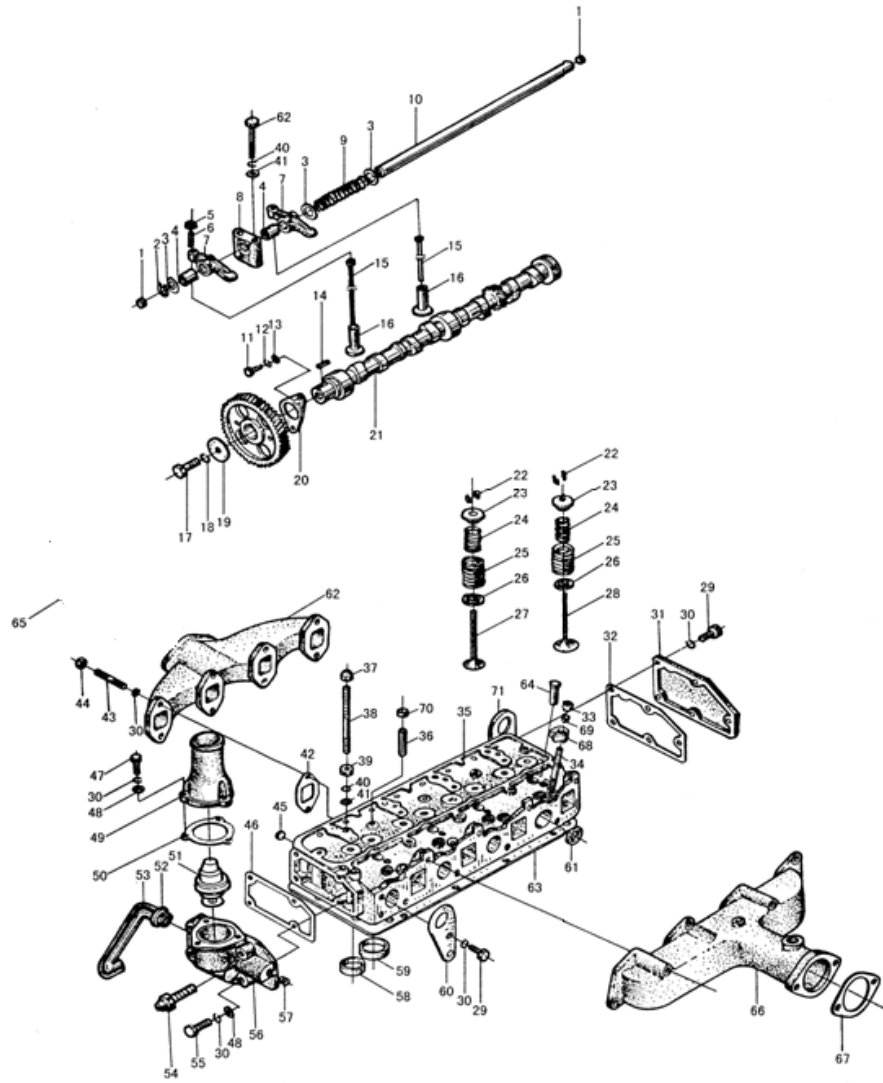


A498BT1-6A-2 10.2-气缸盖及配气机构 CYLINDER HEAD AND GAS EXCHANGING SYSTEM ASSEMBLY-2

标号 No.	代号 Code	名称 Description		数量 Quantity	备注 Remark
0	490B-03200	气门摇臂轴部件	VALVE ROCKER SHAFT ASSEMBLY	1	2011-11_
1	490B-03018	碗形塞片	PLUG PIECE	2	
10	490B-03204	气门摇臂轴	VALVE ROCKER SHAFT	1	2011-11_
11	GBT5783-M8X18	六角头螺栓	BOLT	9	
12	GB93-87	标准型弹簧垫圈	WASHER	9	
13	GBT97.1-8	垫圈	WASHER	2	2011-11_
14	GBT1096-C8X22	平键	FLAT KEY	1	2011-11_
15	495B-06003	气门推杆	VALVE PUSH ROD	8	2011-11_
15	495B-06003	气门推杆	VALVE PUSH ROD	8	2011-11_
16	490B-06002	气门挺柱	VALVE TAPPET	8	2011-11_
17	GBT5782-M12X45	六角头螺栓	BOLT	1	2011-11_
18	GBT93-12	垫圈	WASHER	1	2011-11_
19	490B-02011	凸轮轴正时齿轮压板	CAMSHAFT TIMING GEAR PRESSURE PLATE	1	2011-11_
2	GBT894.1-20	挡圈20	BLCOKING RING	2	2011-11_
20	490B-02008	凸轮轴止推板	CAMSHAFT THRUST PLATE	1	2011-11_
21	495B-06001	凸轮轴	CAMSHAFT	1	
22	490B-03006	气门锁夹	LOCK	16	2011-11_
23	490B-03007	气门弹簧上座	VALVE SPRING UPPER SEAT	8	2011-11_
24	490B-03005	气门内弹簧	INNER VALVE SPRING	8	2011-11_
25	490B-03004	气门外弹簧	OUTER VALVE SPING	8	2011-11_
26	490B-03011	气门弹簧下座	VALVE SPRING LOWER SEAT	8	2011-11_
27	495B-03015	排气门	EXHAUST VALVE	4	2011-11_
28	A498B-03014	进气门	AIR INLET VALVE	4	2011-11_
3	GBT848-20	小垫圈	WASHER	8	2011-11_
30	GBT93-8	垫圈8	WASHER 8	17	2011-11_

# 气缸盖及配气机构

## Cylinder head and gas exchanging system assembly



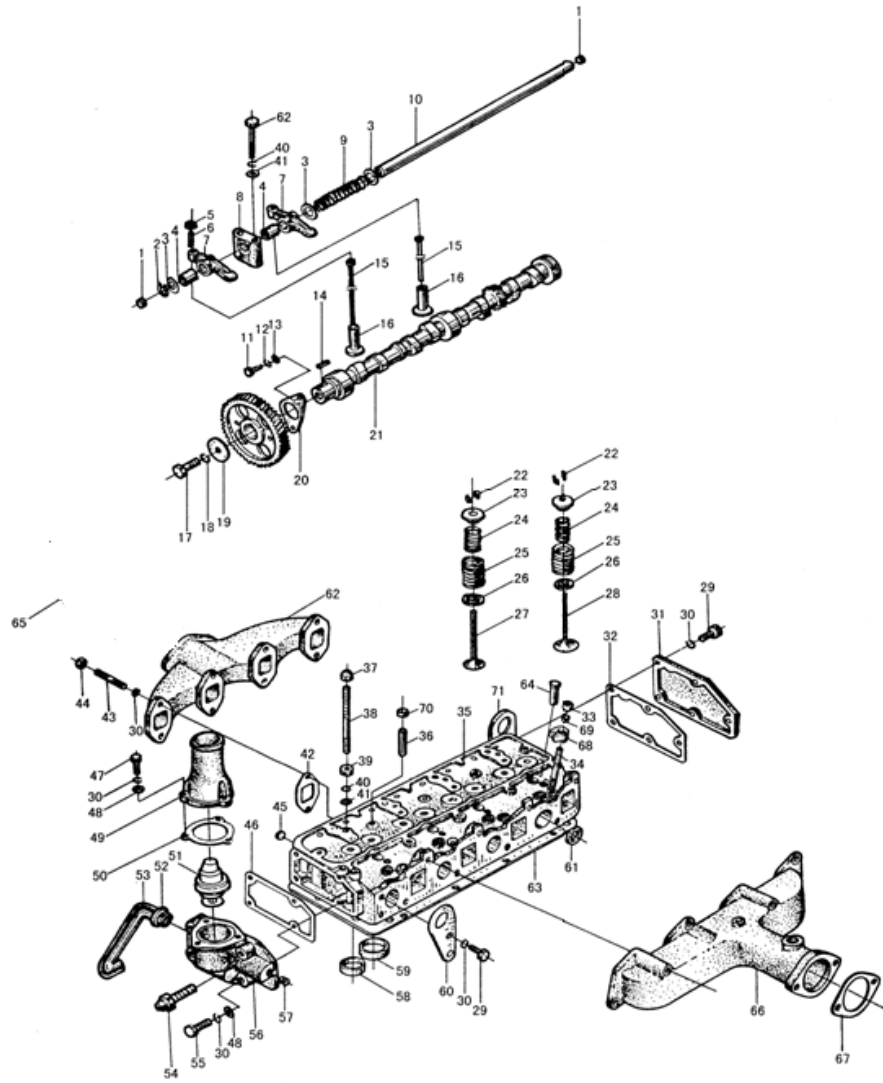


## A498BT1-6A-2 10.2-气缸盖及配气机构(续)

标号 No.	代号 Code	名称 Description		数量 Quantity	备注 Remark
31	490B-03012	后端盖	REAR END COVER	1	2011-11_
32	490B-03013A	后端盖垫片	REAR END COVER GASKET	1	2011-11_
33	GBT56-88	螺母	NUT	8	
34	A490BZL-03017	喷油器紧固螺栓	BOLT	4	2011-11_
35	A498B-03101-1	气缸盖	CYLINDER COVER	1	2011-11_
36	490B-03102	气门导管	VALVE STEM GUIDE	8	2011-11_
37	GBT923-M8	盖形螺母	NUT	4	
38	490B-03001A	气门摇臂支座螺柱	VALVE ROCKER SEAT STUD	4	2011-11_
39	GBT6170-M10	螺母M10	NUT M10	4	
4	490B-03212A	气门摇臂衬套	VALVE ROCKER BUSH	8	2011-11_
40	GB93-87-10	标准型弹簧垫圈	WASHER	4	2011-11_
41	GB97.1-85D10	平垫10	WASHER	4	
42	495B-03003	排气管衬垫	EXHAUST PIPE GASKET	4	2011-11_
43	GBT899-AM8-M8X25	双头螺柱	8.8-A3L STUD	8	
43	GBT899-AM8-M8X25	双头螺柱	8.8-A3L STUD	8	
44	GBT6170-M8	螺母M8	NUT M8	8	
45	490B-03103	堵塞	PLUG	1	
46	490B-43005	节温器壳垫片	THERMOSTAT HOUSING GASKET	1	2011-11_
47	GBT5783-M8X25	螺栓	BOLT	3	2011-11_
48	GBT97.1-8	垫圈	WASHER	7	2011-11_
49	490BT-43001	节温器盖	THERMOSTAT COVER	1	2011-11_
5	GBT6171-M8X1	M8X1 I型六角螺母	NUT	8	2011-11_
5	GBT6171-M8X1	M8X1 I型六角螺母	NUT	8	2011-11_
50	490B-43003	节温器盖垫片	THERMOSTAT COVER GASKET	1	2011-11_
51	490B-43002	节温器	THERMOSTAT	1	2011-11_

# 气缸盖及配气机构

## Cylinder head and gas exchanging system assembly

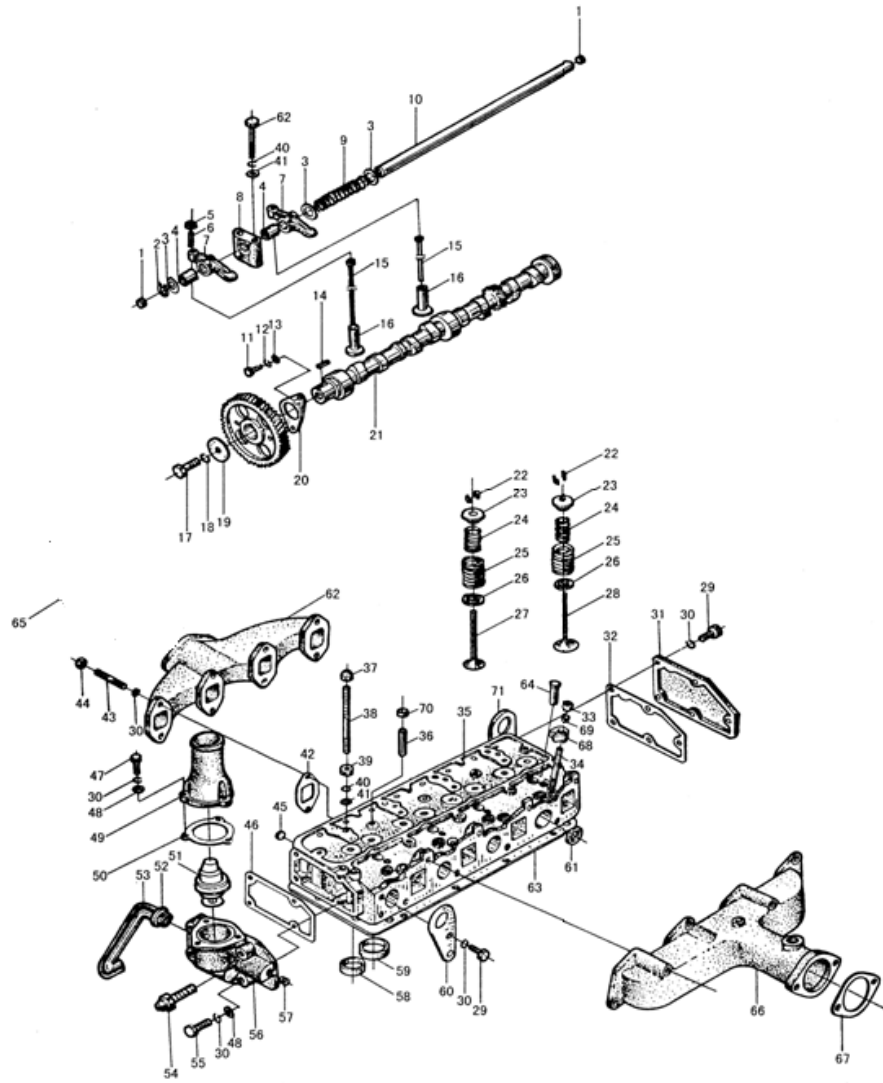


## A498BT1-6A-2 10.2-气缸盖及配气机构(续)

标号 No.	代号 Code	名称 Description		数量 Quantity	备注 Remark
52	490B-01074	接管	CONNECTING TUBE	1	2011-11_
53	490BT-43007	小循环水管	WATER PIPE	1	2011-11_
55	GBT5782-M8X35	六角头螺栓	BOLT	4	2011-11_
56	490B-43101-2	节温器壳	THERMOSTAT HOUSING	1	2011-11_
57	490B-43008	螺塞NPT3/8	SCREW PLUG	1	
58	495B-03108	排气门座	INSERT-VALVE SEAT(OUTLET)	4	2011-11_
59	A498B-03107	进气门座	AIR INLET VALVE SEAT	4	2011-11_
6	490B-03201	气门间隙调整螺钉	VALVE CLEARANCE ADJUSTING SCREW	8	2011-11_
60	490BT-03300	散热器拉杆固定支架焊接件	FIXING BRACKET	1	2011-11_
61	490B-01078	碗形塞片 30	PLUG 30	1	
62	490BT-08001-2	排气管	EXHAUST PIPE	1	2011-11_
63	A498B-01004	气缸盖衬垫	CYLINDER HEAD BUSH	1	2011-11_
63	A498B-01004	气缸盖衬垫	CYLINDER HEAD BUSH	1	2011-11_
64	A490B-03109	喷油器套管	SLEEVE TUBE	4	2011-11_
66	490B-09001	进气管衬垫	AIR INLET PIPE GASKET	1	2011-11_
66	490BT-09003	进气接管	AIR INLET CONNECTING PIPE	1	2011-11_
66	490B-09002	进气管	AIR INLET PIPE	1	2011-11_
67	490B-09004	进气总管纸垫	AIR INLET PIPE PAPER GASKET	1	2011-11_
67	490B-09004	进气总管纸垫	AIR INLET PIPE PAPER GASKET	1	2011-11_
68	A490B-03016A	喷油器压板	OIL INJECTOR PRESSURE PLATE	4	2011-11_
69	GBT849-M10	球面垫圈	BALL WASHER	4	2011-11_
7	490B-03211A	气门摇臂	VALVE ROCKER	8	2011-11_
70	A490BZL-03016	气门导管油封	VALVE SEAL	8	2011-11_
71	490B-03009A	吊耳	BRACKET,LIFTING	1	2011-11_
71	A490B-55001	预热塞	PREHEATING PLUG	4	2011-11_

气缸盖及配气机构

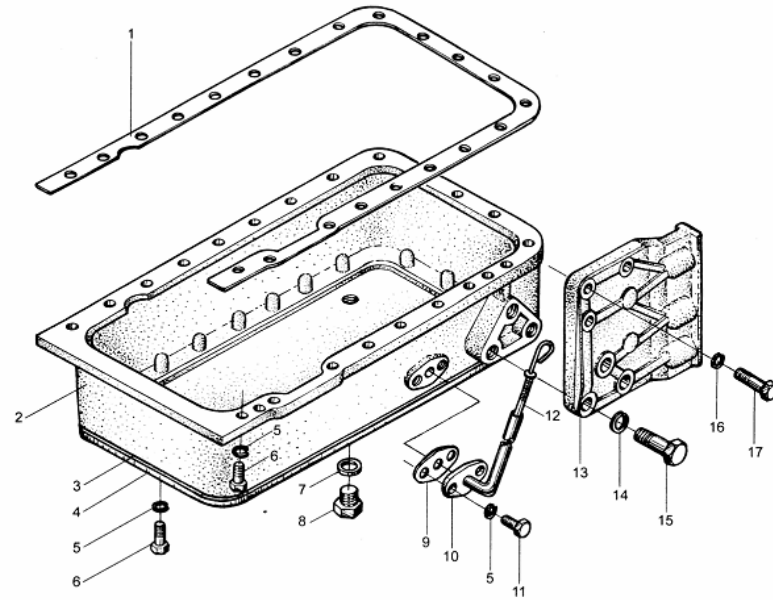
Cylinder head and gas exchanging system assembly



## A498BT1-6A-2 10.2-气缸盖及配气机构(续)

标号 No.	代号 Code	名称 Description		数量 Quantity	备注 Remark
71	A490B-55100	电热塞连接部件	HEAT PLUG CONNECTING PARTS	1	2011-11_
8	490B-03202	气门摇臂轴支座	SEAT	4	2011-11_
9	490B-03203	气门摇臂轴弹簧	SPRING	3	2011-11_

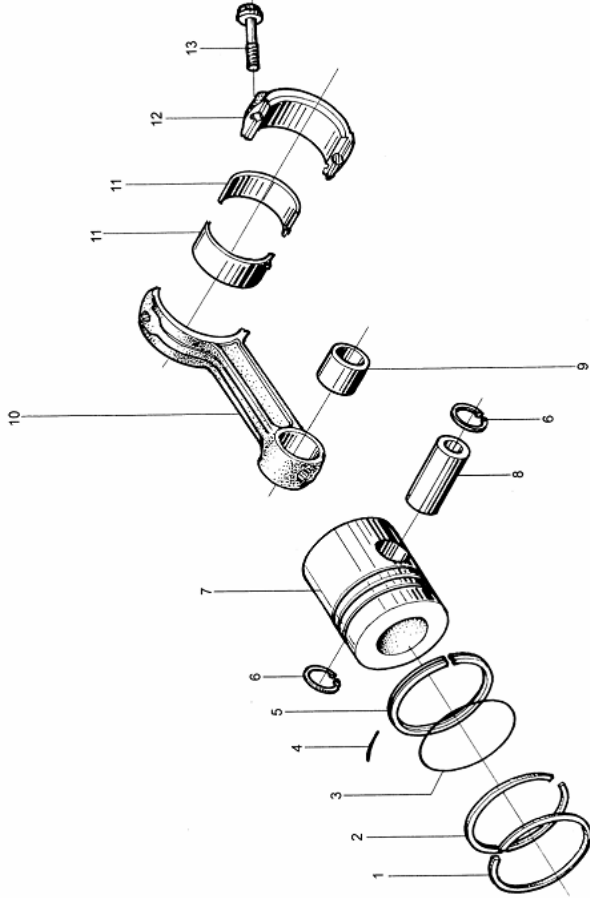
油底壳总成 Oil sump assembly



A498BT1-6A-3 10.3-油底壳-3 OIL SUMP ASSEMBLY-3

标号 No.	代号 Code	名称 Description		数量 Quantity	备注 Remark
0	495BT-15001R	发动机前支架	ENGINE FRONT BRACKET	1	2011-11_
1	490BT-07002A	油底壳垫片	OIL SUMP GASKET	11	2011-11_
10	490BT-07300	机油标尺套客焊接件	OIL DIPSTICK PIPE	1	2011-11_
11	GBT5783-M8X20	螺栓	BOLT	2	2011-11_
11	GBT5783-M8X20	螺栓	BOLT	2	2011-11_
12	490B-07200	机油标尺部件	OIL DIPSTICK	1	2011-11_
13	495BT-15001L	发动机前支架	ENGINE FRONT BRACKET	2	2011-11_
14	GBT93-18	垫圈	WASHER	4	2011-11_
15	490BT-07800	侧支架螺栓	SIDE BRACKET BOLT	4	2011-11_
16	GBT93-10	垫圈10	WASHER 10	6	2011-11_
17	GBT5782-M10X45	六角头螺栓	BOLT	6	2011-11_
2	495BT-07106A	油底壳	OIL SUMP	1	2011-11_
2	495BT-07106A	油底壳	OIL SUMP	1	2011-11_
3	490BT-07004	油底壳底板垫片	OIL SUMP GASKET	1	2011-11_
4	490BT-07003	油底壳底板	OIL SUMP BOTTOM PLATE	1	2011-11_
5	GBT93-8	垫圈8	WASHER 8	41	2011-11_
6	GBT5783-M8X25	螺栓	BOLT	39	2011-11_
7	JB982-20	组合垫圈	COMBINED GASKET	1	2011-11_
8	JB2343-M20X1.5	六角头磁性螺塞	HEXAGON MAGNETISM PLUG	1	
9	490BT-07303	机油标尺套管垫	GASKET	1	2011-11_

活塞连杆总成 Piston connecting rod assembly

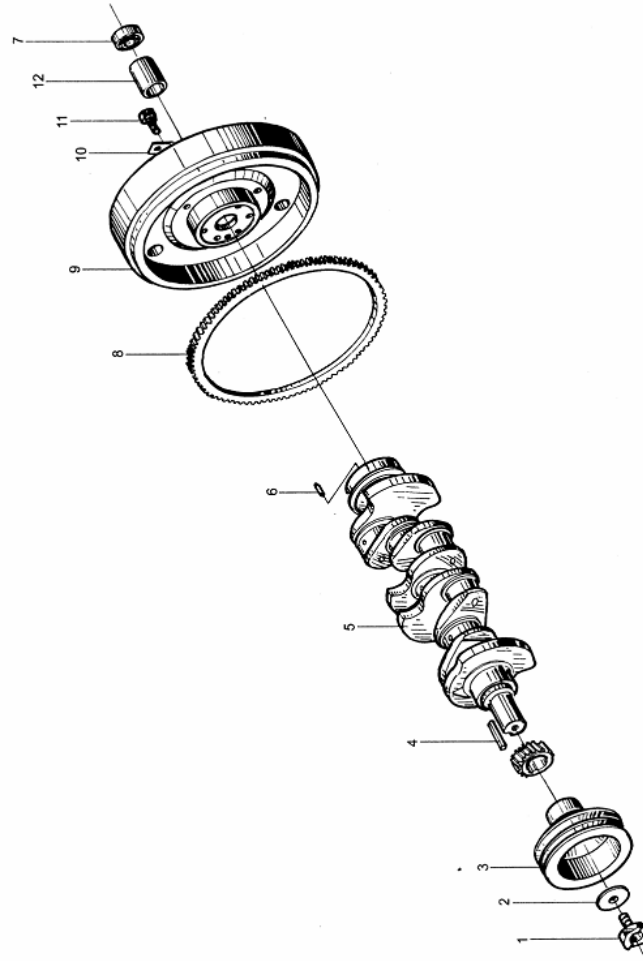




A498BT1-6A-4 10.4-活塞连杆总成-4 PISTON CONNECTING ROD ASSEMBLY-4

标号 No.	代号 Code	名称 Description		数量 Quantity	备注 Remark
1.5	498B-04002 (出口)	活塞环总成	PISTON RING ASSEMBLY	4	
11	495B-04005-1A	连杆轴瓦	CONNECTING ROD BEARING	8	2011-11_
6	GBT893.1-34	孔用弹性挡圈	SNAP RING	8	2011-11_
7	A498B-04001-1A	活塞总成	PISTON	4	2011-11_
8	A498B-04004A	新柴 活塞销	GUDGEON	4	2011-11_
9	A498B-04200	连杆总成	CONNECTING ROD ASSEMBLY	4	

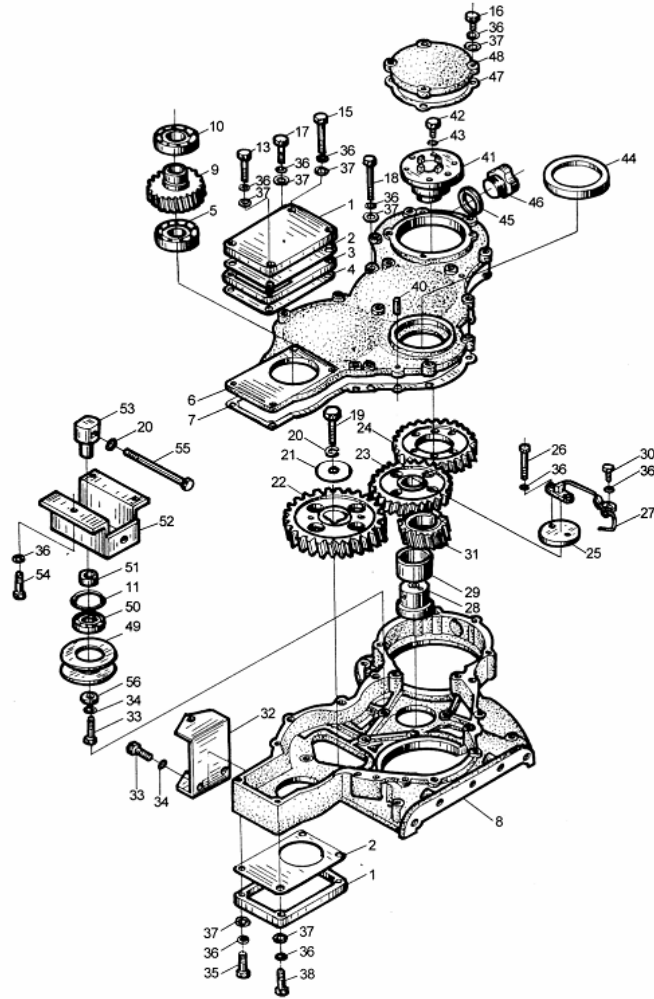
曲轴飞轮总成 Crankshaft flywheel assembly



A498BT1-6A-5 10.5-曲轴飞轮总成-5 CRANKSHAFT FLYWHEEL ASSEMBLY-5

标号 No.	代号 Code	名称 Description		数量 Quantity	备注 Remark
1	490B-05008	曲轴V带轮紧固螺栓	BOLT	1	2011-11_
10	490B-05001	飞轮螺栓保险片	FLYWHEEL BOLT SAFETY PIECE	1	2011-11_
11	490BT-05002C	飞轮螺栓	FLYWHEEL BOLT	1	2011-11_
12	490BT-05120C	飞轮轴承挡圈	FLYWHEEL BEARING RETAINER RING	1	2011-11_
2	490B-05007	起动爪垫圈	STARTING CLAW WASHER	1	
3	490BT-05006-1	曲轴V带轮	CRANKSHAFT V-BELT	1	2011-11_
4	GBT1096-A12X63	平键	FLAT KEY	1	2011-11_
5	495B-05004A	曲轴	CRANK SHAFT	1	2011-11_
6	GBT119.2-B10X24	圆柱销	PIN	1	2011-11_
7	GBT278-6204-2Z	轴承	BEARING	1	2011-11_
8	490BT-05100-2	飞轮齿圈部件	FLYWHEEL RING GEAR ASSEMBLY	1	2011-11_
8	490B-05102	飞轮齿圈	GEAR RING OF FLYWHEEL	1	2011-11_
9	490BT-05101-2	飞轮	FLYWHEEL	1	2011-11_

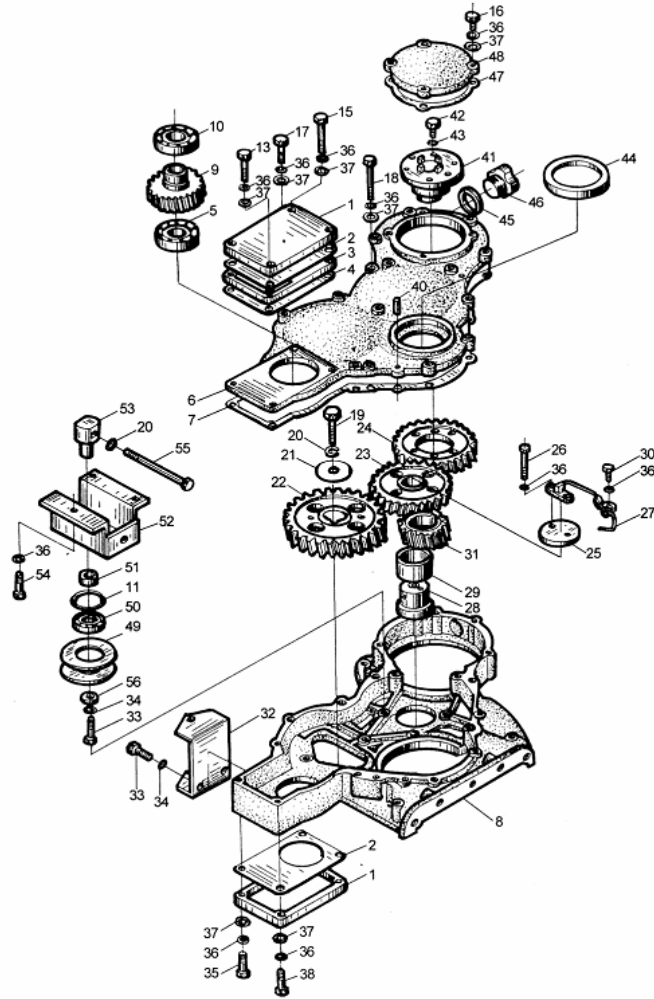
正时齿轮传动系总成 Timing gear train assembly



A498BT1-6A-6 10.6-正时齿轮传动系总成-6 TIMING GEAR TRAIN ASSEMBLY-6

标号 No.	代号 Code	名称 Description		数量 Quantity	备注 Remark
1	490BT-16014	液压泵端盖	HYDRAULIC PUMP END	2	2011-11_
10	GBT292-7206AC	角接触球轴承	BEARING	1	2011-11_
11	GB893.1-86	挡圈130	RETAINER RING	1	
13	GBT5782-M8X65	六角头螺栓	BOLT	2	2011-11_
15	GBT5782-M8X40	六角头螺栓	BOLT	2	2011-11_
16	GBT5782-M8X25	六角头螺栓	BOLT	8	2011-11_
17	GBT5783-M8X30	六角头螺栓	BOLT	8	2011-11_
18	GBT5782-M8X30	六角头螺栓	BOLT	1	2011-11_
19	GBT5782-M12X45	六角头螺栓	BOLT	2	2011-11_
2	490BT-16013-1	液压泵端盖垫片	HYDRAULIC PUMP END CAP GASKET	2	2011-11_
20	GBT93-12	垫圈	WASHER	1	2011-11_
21	490B-02011	凸轮轴正时齿轮压板	CAMSHAFT TIMING GEAR PRESSURE PLATE	1	2011-11_
22	490BT-02009	凸轮轴正时齿轮	CAMSHAFT TIMING GEAR	1	2011-11_
23	490BT-02006	正时惰齿轮	TIMING LAZY GEAR	1	2011-11_
24	490B-02003	喷油泵正时齿轮	OIL INJECTION PUMP TIMING GEAR	1	2011-11_
25	490B-02012	惰齿轮轴压板	IDLE GEAR SHAFT PRESS PLATE	1	2011-11_
26	GBT5782-M8X60	六角头螺栓	BOLT	3	2011-11_
27	490BT-02100	喷油管焊接部件	INJECTION PIPE	1	2011-11_
28	490B-02004	正时惰齿轮轴	TIMING IDLE GEAR SHAFT	1	2011-11_
29	490B-02005	正时惰齿轮衬套	TIMING IDLE GEAR BUSH	1	2011-11_
3	490BT-16021	前液压泵联接板	FRONT HYDRAULIC PUMP GUSSET PLATE	1	2011-11_
30	GBT5783-M8X16	螺栓	BOLT	1	2011-11_
31	490BT-02007	曲轴正时齿轮	CRANKSHAFT TIMING GEAR	1	2011-11_
32	490BT-53002-1	发电机支架	GENERATOR BRACKET	1	2011-11_
33	GBT5783-M10X25	螺栓	BOLT	3	2011-11_

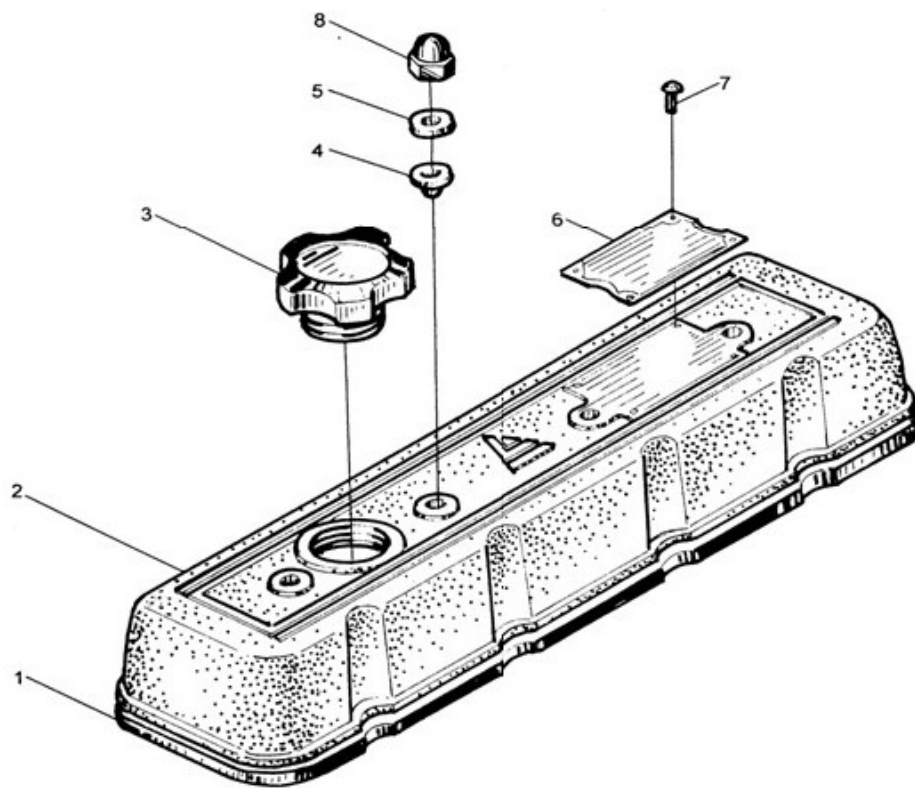
正时齿轮传动系总成 Timing gear train assembly



A498BT1-6A-6 10.6-正时齿轮传动系总成-6(续)

标号 No.	代号 Code	名称 Description		数量 Quantity	备注 Remark
34	GBT93-10	垫圈10	WASHER 10	4	2011-11_
35	GBT5782-M8X55	六角头螺栓	BOLT	4	2011-11_
36	GBT93-8	垫圈8	WASHER 8	34	2011-11_
37	GBT97.1-8-140HV-A0P	垫圈	WASHER	27	
38	GBT5783-M8X30	六角头螺栓	BOLT	1	2011-11_
4	490BT-16017	前液压泵联接板垫片	FRONT HYDRAULIC PUMP CONNECTING PLATE	1	2011-11_
4	490BT-16017	前液压泵联接板垫片	GASKET	1	2011-11_
40	GBT119.2-8X20	圆柱销	FRONT HYDRAULIC PUMP CONNECTING PLATE	1	
41	490BT-02015	喷油泵正时齿轮轴套	GASKET	1	2011-11_
42	GBT5783-M6X16	螺栓	PIN	6	2011-11_
			BUSHING		
43	GBT93-6	垫圈	BOLT	6	2011-11_
44	60X80X12	油封王		1	2011-11_
45	495BT-16102	齿轮室加油口盖垫圈	WASHER	1	2011-11_
46	495BT-16101	齿轮室加油口盖	OIL SEAL	1	2011-11_
47	490BT-16005	空气压缩机盖板垫片	WASHER	1	2011-11_
			CAP		
48	490BT-16016	空气压缩机盖板	GASKET	1	2011-11_
49	490BT-16200	张紧轮总成		1	2011-11_
5	GBT1276-6206	深沟球轴承	AIR COMPRESSOR COVER PLATE	1	2011-11_
6	490BT-16001-1	正时齿轮室盖	IDLER WHEEL ASSEMBLY	1	2011-11_
7	490BT-16002-1	正时齿轮室盖垫片	BEARING	1	2011-11_
			TIMING GEAR COVER		
8	490BT-16003-1	正时齿轮室	TIMING GEAR HOUSING COVER GASKET	1	2011-11_
9	490BT-02010-1	液压泵齿轮	TIMING CASE	1	2011-11_
			HYDRAULIC PUMP GEAR		

气缸盖罩总成 Cylinder head cover assembly

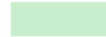
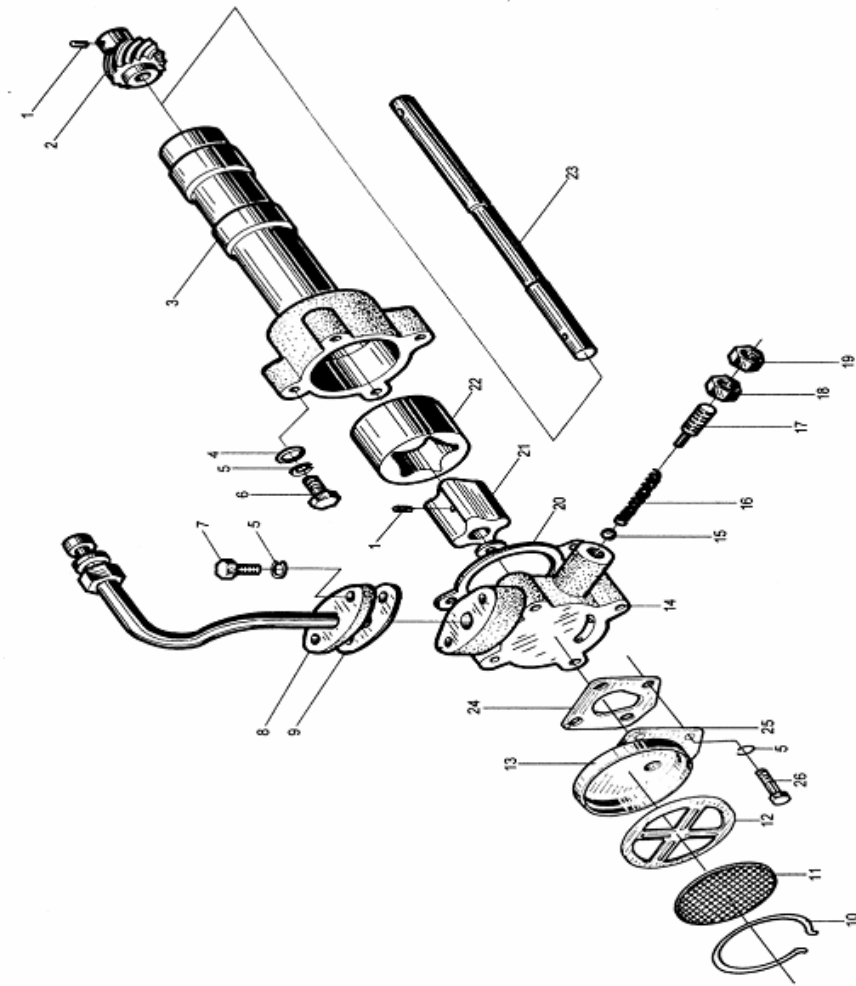




## A498BT1-6A-7 10.7-气缸盖罩总成 CYLINDER HEAD COVER ASSEMBLY-7

标号 No.	代号 Code	名称 Description		数量 Quantity	备注 Remark
1	A498B-11002	气缸盖罩橡胶垫	CYLINDER COVER RUBBER MAT	1	2011-11_
2	A498B-11001	气缸盖罩	CYLINDER HEAD COVER	1	2011-11_
3	490B-11200B	加油口盖部件	FILLING CAP COVER	1	2011-11_
4	A498B-11003	橡胶隔离套	RUBBER ISOLATION BUSH	4	2011-11_
5	A498B-11004	垫圈	WASHER	4	2011-11_
6	A498B-1109-1	E-Mark铭牌	NAMEPLATE	1	2011-11_

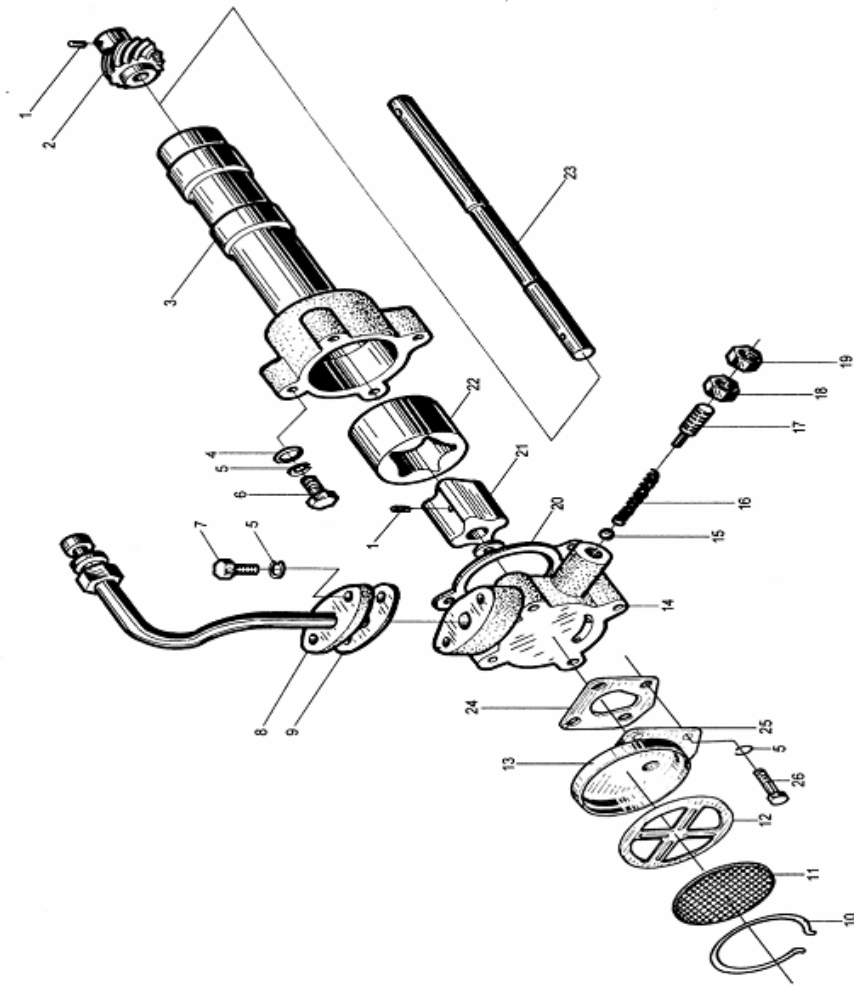
机油泵、机油管路总成 Oil pump and oil pipe assembly



A498BT1-6A-8 10.8-机油泵机油管路总成-8 OIL PUMP AND OIL PIPE ASSEMBLY-8

标号 No.	代号 Code	名称 Description		数量 Quantity	备注 Remark
0	A490-04200	机油泵总成	OIL PUMP ASSEMBLY	1	2011-11_
1	495B-31203	圆柱销	PIN	2	2011-11_
10	490B-31104	钢丝挡圈	SNAP RING	1	2011-11_
11	490B-31112	滤网	SCREEN	1	2011-11_
12	490B-31111	滤网网衬	FILTER SCREEN FRAME	1	2011-11_
13	490B-31103	集滤器盖	FILTER COVER	1	2011-11_
14	495B-31005A	机油泵盖	OIL PUMP COVER	1	2011-11_
15	GBT308-10	钢球	BALL	1	2011-11_
16	495B-31003	限压阀弹簧	PRESSURE LIMITING VALVE SPRING	1	2011-11_
17	495B-31002	调压螺钉	SCREW	1	2011-11_
18	GBT6171-M14X1.5	1型六角螺母	NUT	1	2011-11_
19	GBT6173-M14X1.5	六角薄螺母	NUT	1	
2	495B-31001	机油泵传动齿轮	OIL PUMP DRIVING GEAR	1	2011-11_
20	495B-31007	机油泵盖垫片	OIL PUMP COVER GASKET	1	2011-11_
21	495B-31202A	内转子	INNER ROTOR	1	2011-11_
22	495B-31008A	外转子	OUTER ROTOR	1	2011-11_
23	495B-31201	机油泵轴	OIL PUMP SHAFT	1	2011-11_
24	495B-31006	机油集滤器垫片	OIL FILTER GASKET	1	2011-11_
25	495B-31101	集滤器法兰	FILTER FLANGE	1	2011-11_
26	GBT5782-M8X45	六角头螺栓	BOLT	4	2011-11_
3	495B-31004A	机油泵泵体	OIL PUMP HOUSING	1	2011-11_
4	GBT97.1-8	垫圈	WASHER	5	2011-11_
5	GBT93-8	垫圈8	WASHER 8	7	2011-11_
6	GBT5783-M8X30	六角头螺栓	BOLT	4	2011-11_
7	GBT5783-M8X20	螺栓	BOLT	2	2011-11_

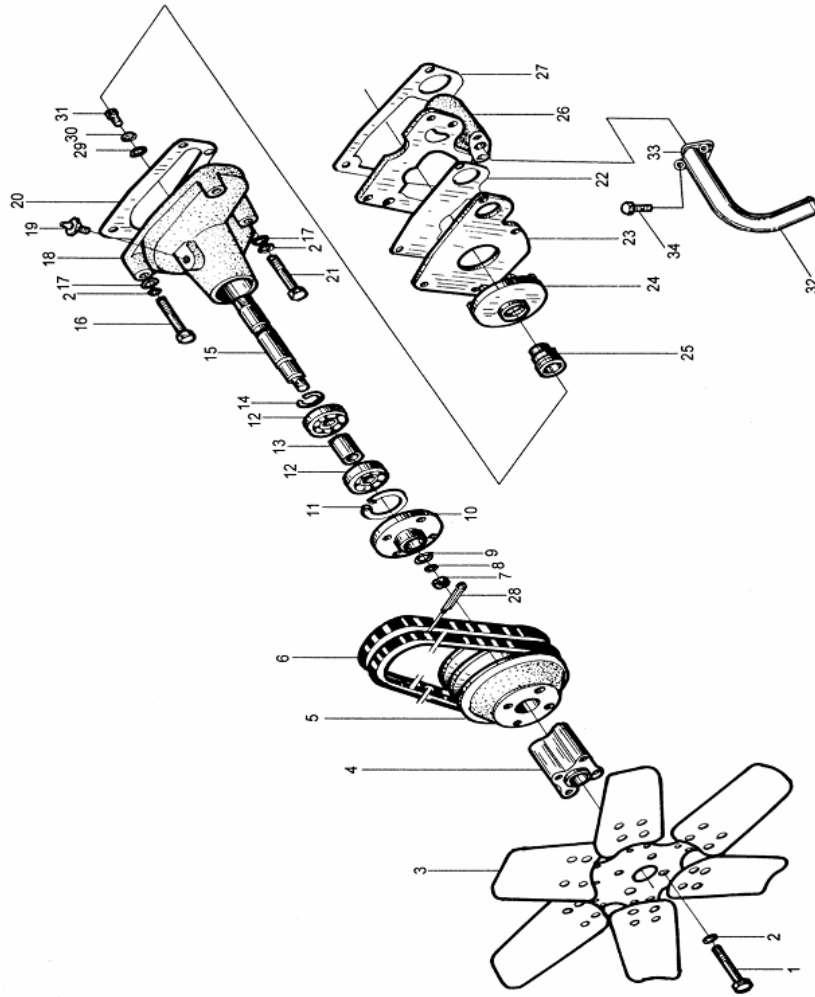
机油泵、机油管路总成 Oil pump and oil pipe assembly



## A498BT1-6A-8 10.8-机油泵机油管路总成-8(续)

标号 No.	代号 Code	名称 Description		数量 Quantity	备注 Remark
7	GBT5783-M8X20	螺栓	BOLT	2	2011-11_
8	495B-33000	机油管路总成	OIL PIPELINE ASSEMBLY	1	2011-11_
9	490B-33005	垫片	WASHER	1	2011-11_

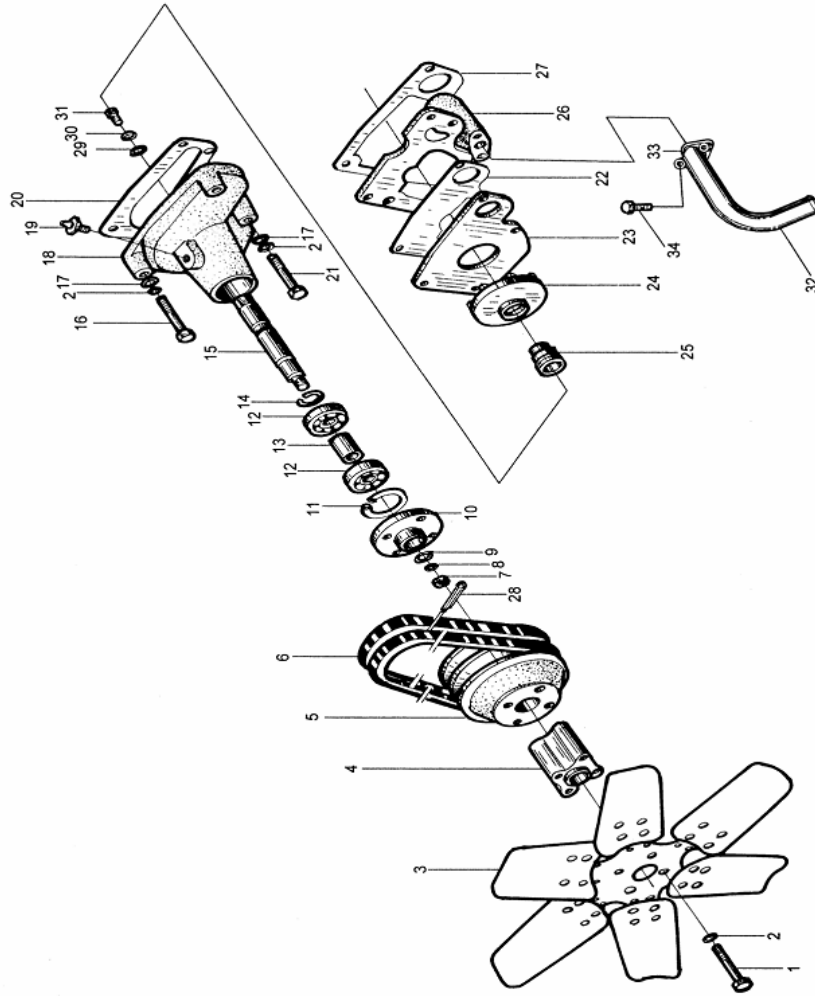
冷却水泵、风扇部件 Cooling water pump and fan assembly



## A498BT1-6A-9 10.9-冷却水泵风扇部件-9 COOLING WATER PUMP AND FAN ASSEMBLY-9

标号 No.	代号 Code	名称 Description		数量 Quantity	备注 Remark
0	490B-41003-4	风扇垫块	FAN GASKET	1	2011-11_
1	GBT5782-M8X45	六角头螺栓	BOLT	4	2011-11_
10	495B-42001	风扇皮带轮毂	FAN BELT PULLEY HUB	1	2011-11_
11	GBT893.1-40	挡圈	RETAINER RING	1	2011-11_
12	GBT287-6203	轴承	BEARING	2	2011-11_
13	495B-42003	轴承隔圈	BEARING SPACER RING	1	2011-11_
14	GBT1099-5X19	键	KEY	1	
15	495B-42002	水泵轴	WATER PUMP SHAFT	1	2011-11_
16	GBT5782-M8X70	六角头螺栓	BOLT	1	2011-11_
17	GBT96-8	垫圈	WASHER	1	2011-11_
17	GBT96-8	垫圈	WASHER	1	2011-11_
18	495B-42004	水泵体	WATER PUMP HOUSING	1	2011-11_
19	GBT1152-M10X1	油杯	OIL CUP	1	
2	GBT93-8	垫圈8	WASHER 8	4	2011-11_
20	495B-42005	水泵体衬垫	WATER PUMP HOUSING LINER	1	2011-11_
21	GBT5782-M8X55	六角头螺栓	BOLT	3	2011-11_
22	490BT-42011	水泵垫板垫片	WATER PUMP GASKET	1	2011-11_
23	490BT-42006	水泵隔板	BACK PLATE	1	2011-11_
24	495B-42008	水泵叶轮	WATER PUMP GEAR	1	2011-11_
25	JBT5086	水封	WATER SEAL	1	2011-11_
26	490BT-42010-1A	水泵接头	WATER PUMP CONNECTOR	1	2011-11_
27	490BT-42011-1A	水泵接头垫片	GASKET	1	2011-11_
29	495B-42011	大垫圈 Q235-AF	WASHER Q235-AF	1	2011-11_
3	Z420-28-52-7	φ 420塑料吸风扇	FAN	1	2011-11_
3	Z420-28-52-7	φ 420塑料吸风扇	FAN	1	2011-11_

冷却水泵、风扇部件 Cooling water pump and fan assembly

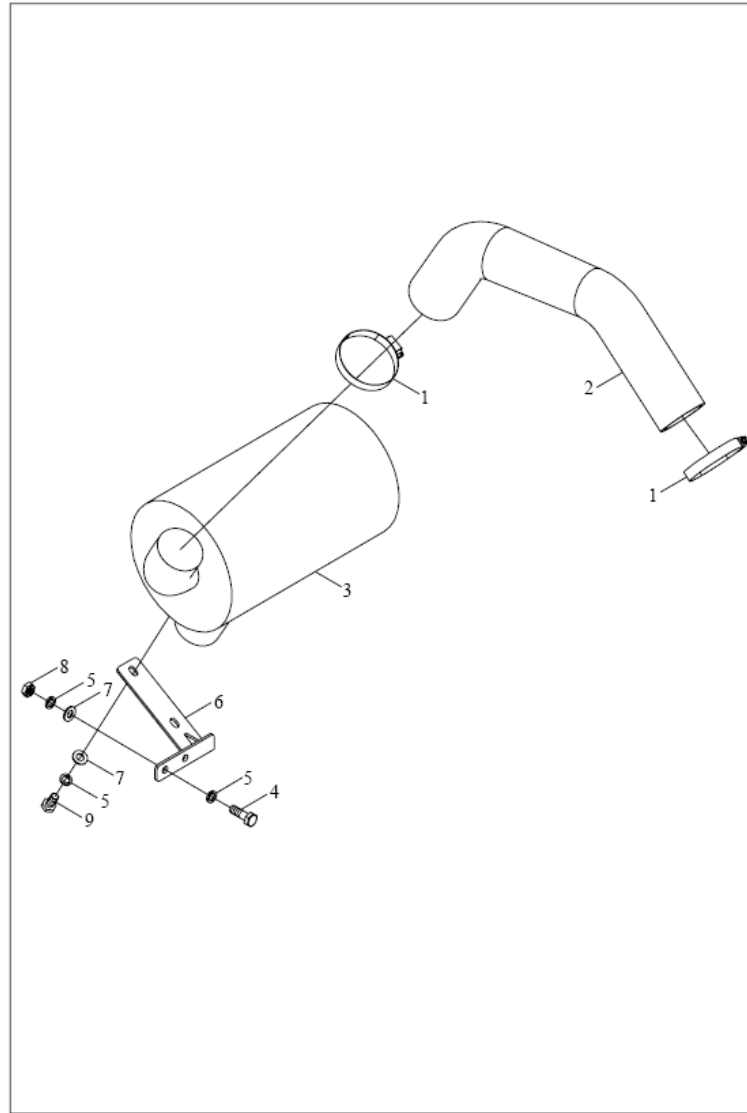




## A498BT1-6A-9 10.9-冷却水泵风扇部件-9(续)

标号 No.	代号 Code	名称 Description		数量 Quantity	备注 Remark
30	GBT93-8	垫圈8	WASHER 8	1	2011-11_
31	GBT5783-M8X16	螺栓	BOLT	1	2011-11_
32	490BT-01011-3	进水管	WATER INLET PIPE	1	2011-11_
33	490BT-01012	进水管垫片	WATER INLET PIPE GASKET	1	2011-11_
34	490B-01100-2	放水开关	DRAIN SWITCH	1	2011-11_
34.1	495B-42000	水泵总成	WATER PUMP ASSEMBLY	0	2011-11_
4	490B-41003-1	风扇垫块	FAN GASKET	1	2011-11_
5	490BT-41002-2	风扇皮带轮	FAN BELT PULLEY	1	2011-11_
6	AV15X670Le	皮带	BELT	1	2011-11_
6	AV15X670Le	皮带	BELT	1	2011-11_
6	AV15X950Le	皮带	BELT	1	2011-11_
7	GBT6178-M10	1型六角开槽螺母	NUT (PAGE81)	1	2011-11_
8	GBT93-10	垫圈10	WASHER 10	1	2011-11_

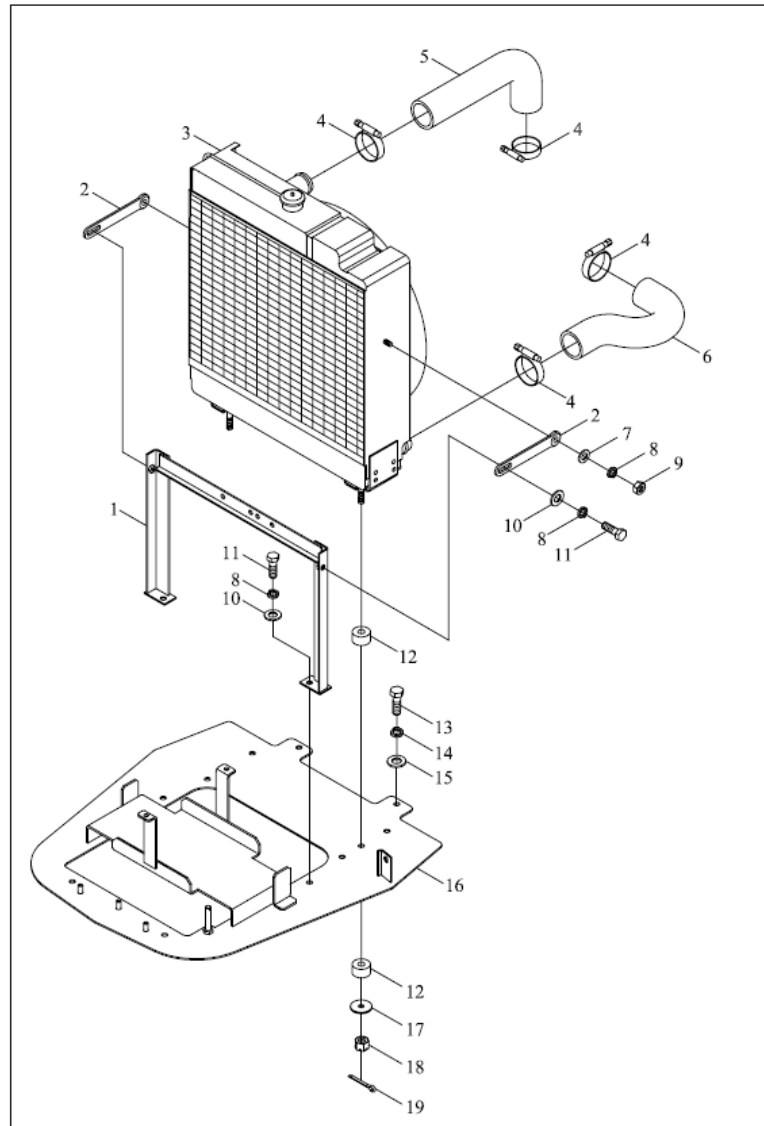
TB400.11 空气滤清系总成



## TB400.11 11-空气滤清系总成 11-AIR CLEANER ASSEMBLY

标号 No.	代号 Code	名称 Description		数量 Quantity	备注 Remark
0	TB400.11.1-05	空气滤清器滤芯	AIR FILTER CORE	1	2011-11_
0	TB400.11.1-05	空气滤清器滤芯	AIR FILTER CORE	1	2011-11_
1	Q67683	环箍	Clip	2	2011-11_
2	TB400.11-01	空滤器进气软管	AIR INLET HOSE OF AIR FILTER	1	2011-11_
3	TB400.11.1	空气滤清器总成	AIR FILTER ASSEMBLY	1	2011-11_
3.1	TD900.11A-01	空气滤清器保养指示器	AIR FILTER MAINTENANCE INDICATOR	1	2011-01_
4	GBT5783-M8X25-A2L	螺栓	BOLT	2	2011-11_
5	GBT93-8-A0P	垫圈	WASHER	6	2011-11_
6	TB400.11.2	空滤器安装支架焊合	AIR FILTER ASSEMBLY BRACKET WELDMENT	1	2011-11_
7	GBT97.1-8-A0P	平垫圈	WASHER	4	2011-11_
8	GBT6170-M8-A2L	螺母	NUT	2	2011-11_
9	GBT5783-M8X16-A2L	螺栓	BOLT	2	2011-11_

# TB500.13Y Cooling system assembly



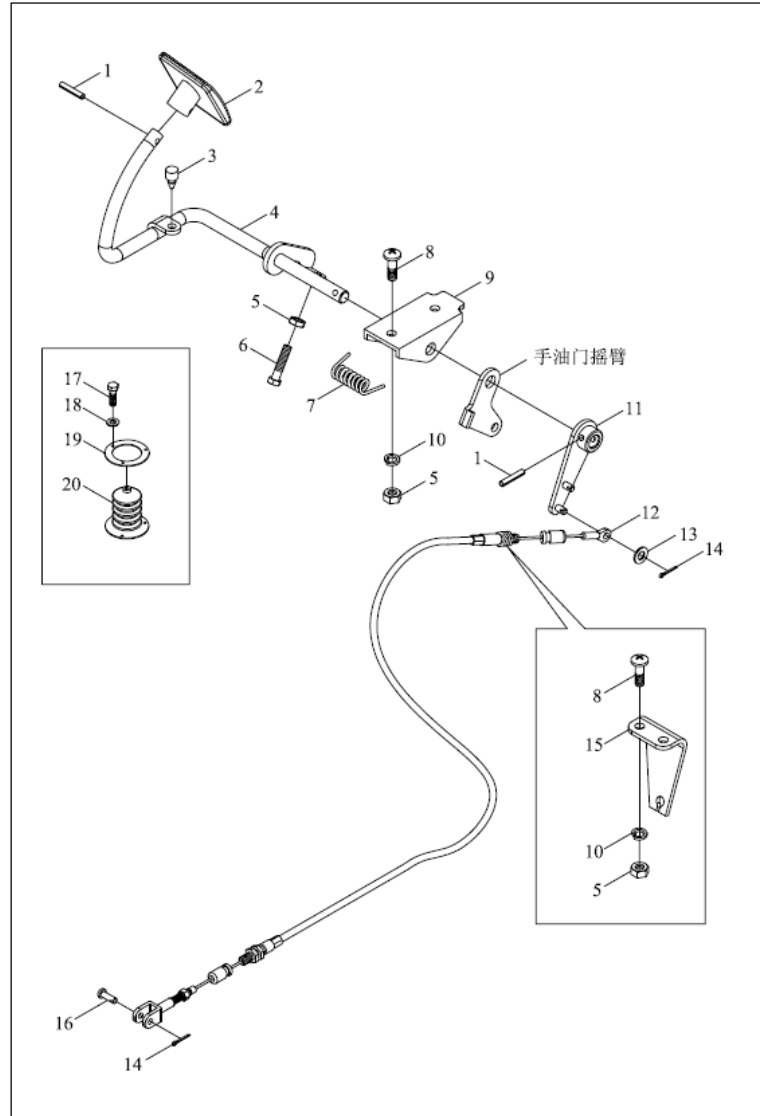
TB500.13Y 13-冷却系总成 13-COOLING SYSTEM ASSEMBLY

标号 No.	代号 Code	名称 Description		数量 Quantity	备注 Remark
1	TB500.13Y.5	空滤器安装支架	AIR FILTER ASSEMBLY BRACKET	1	2011-11_
10	GBT97.1-8-A0P	平垫圈	WASHER	6	2011-11_
11	GBT5783-M8X20-A2L	螺栓	BOLT	6	2011-11_
12	FT650.13.112	橡胶垫块	RUBBER PAD BLOCK	4	
12.1	TD800.131-11	橡胶垫块	RUBBER PAD BLOCK	2	2011-08_
12.2	TA700.131-01	橡胶垫块	RUBBER PAD BLOCK	2	2011-08_
13	GBT5783-M10X20-A3L	螺栓	BOLT	2	2011-11_
14	GBT93-10-A0P	标准型弹簧垫圈	WASHER	2	2011-11_
15	GBT97.1-10-A0P	平垫圈	WASHER	2	2011-11_
16	TB500.13Y.2	水箱垫板焊合	RADIATOR BACKING BOARD WELDMENT	1	2011-11_
17	FT650.13.116	垫片	WASHER	2	2011-11_
18	GBT6178-M10-A3L	1型六角开槽螺母	NUT (PAGE81)	2	2011-11_
19	GBT91-2.5X28-A0P	开口销	PIN	2	2011-11_
2	TB500.13E.2	拉杆合件	PULL ROD UNIT	2	2010-01_
2	TB550.13.2	拉杆合件	PULL ROD UNIT	2	2004-01_
20	TA700.131-02	套管	SLEEVE	2	2011-08_
3	TB500.13.2	散热器总成	RADIATER ASSEMBLY	1	2011-11_
4	Q67650	B型蜗杆传动式软管环箍	B-TYPE WORM TRANSMISSION HOSE CLAMP	4	
5	TB500.13-01	水箱进水软管	WATER TANK INLET HOSE	1	2011-11_
5	TB500.13-01	水箱进水软管	WATER TANK INLET HOSE	1	2011-11_
6	FT450.13.102	水箱出水软管	WATER TANK OUTLET HOSE	1	2011-11_
7	GBT96-8-A0P	大垫圈	WASHER	2	2011-11_
8	GBT93-8-A0P	垫圈	WASHER	8	2011-11_
9	GBT6170-M8-A2L	螺母	NUT	2	2011-11_
	TB550.13C.2	散热器总成	RADIATER ASSEMBLY	2	

## TB400.20G-1 20.1-发动机操纵机构总成-1 20.1ENGINE CONTROL MECHANISM ASSEMBLY-1

标号 No.	代号 Code	名称 Description		数量 Quantity	备注 Remark
1	FT700.20.019	手油门总成	HANDLE THROTTLE ASSEMBLY	1	2011-11_
10	FT650.20.114	手油门摇臂	HAND THROTTLE ROCKER	1	2011-11_
11	FT650.20.133	紧固螺钉	LOCKING SCREW	1	2011-11_
2	GBT68-M8X30-A2L	开槽沉头螺钉	SCREW	3	2011-11_
3	TD800.484B-03	过线胶圈	RUBBER RING	1	2011-11_
4	GBT818-M8X20-A2L	十字槽盘头螺钉	SCREW	2	2011-11_
5	FT300.20.105	手油门拉线支架	PULL WIRE BRACKET OF HAND THROTTLE	1	2011-11_
6	GBT93-8-A0P	垫圈	WASHER	2	2011-11_
7	GBT6172.1-M8-A2L	螺母	NUT	2	2011-11_
8	GBT6170-M8-A2L	螺母	NUT	1	2011-11_
9	GBT97.1-8-A0P	平垫圈	WASHER	1	2011-11_

TB400.20G 发动机操纵机构总成-2

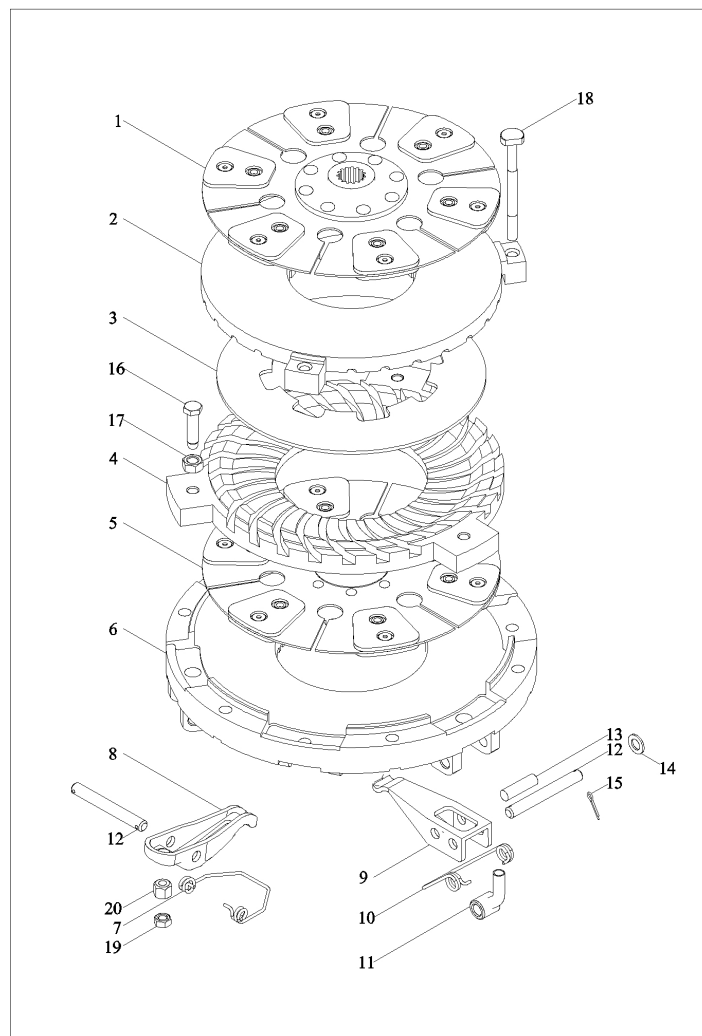


## TB400.20G-2 20.2-发动机操纵机构总成-2 20.2ENGINE CONTROL MECHANISM ASSEMBLY-2

标号 No.	代号 Code	名称 Description		数量 Quantity	备注 Remark
10	GBT93-8-A0P	垫圈	WASHER	4	2011-11_
11	FT300.20.011	脚油门摇臂焊合	FOOT THROTTLE ROCKER ARM WELDMENT	1	2011-11_
12	FT650.20.014	脚油门拉线总成	FOOT THROTTLE WIRE ASSEMBLY	1	2011-11_
13	GBT97.1-6-A0P	平垫圈	WASHER	2	2011-11_
14	GBT91-2X12-A0P	开口销	PIN	3	2011-11_
15	FT300.20.106	脚油门拉线支架	FOOT THROTTLE WIRE BRACKET	1	2011-11_
17	GBT5783-M5X12-A2L	六角头螺栓	BOLT	3	2011-11_
18	GBT97.1-5-A0P	垫圈	WASHER	3	2011-11_
19	FT65.45.394	油门踏板密封套压板	THROTTLE PEDAL SEAL SLEEVE PRESSURE	1	2011-11_
2	FT650.20.101	脚踏板	PLATE FOOT PEDAL	1	2011-11_
20	FT65.45.393	油门踏板密封套		1	2011-11_
3	FT650.20.107	橡胶塞	THROTTLE PEDAL SEAL SLEEVE	1	2011-11_
4	FT300.20.013	脚踏板摇臂焊合	RUBBER RING	1	2011-11_
5	GBT6172.1-M8-A2L	螺母	FOOT PEDAL ROCKER ARM WELDMENT	6	2011-11_
6	GBT5781-M8X45-A2L	六角头螺栓	NUT BOLT	1	2011-11_
7	FT650.20.104	扭簧		1	2011-11_
8	GBT818-M8X20-A2L	十字槽盘头螺钉	TORSION SPRING	4	2011-11_
9	FT650.20.108	油门支架	SCREW THROTTLE PEDESTAL	1	2011-11_



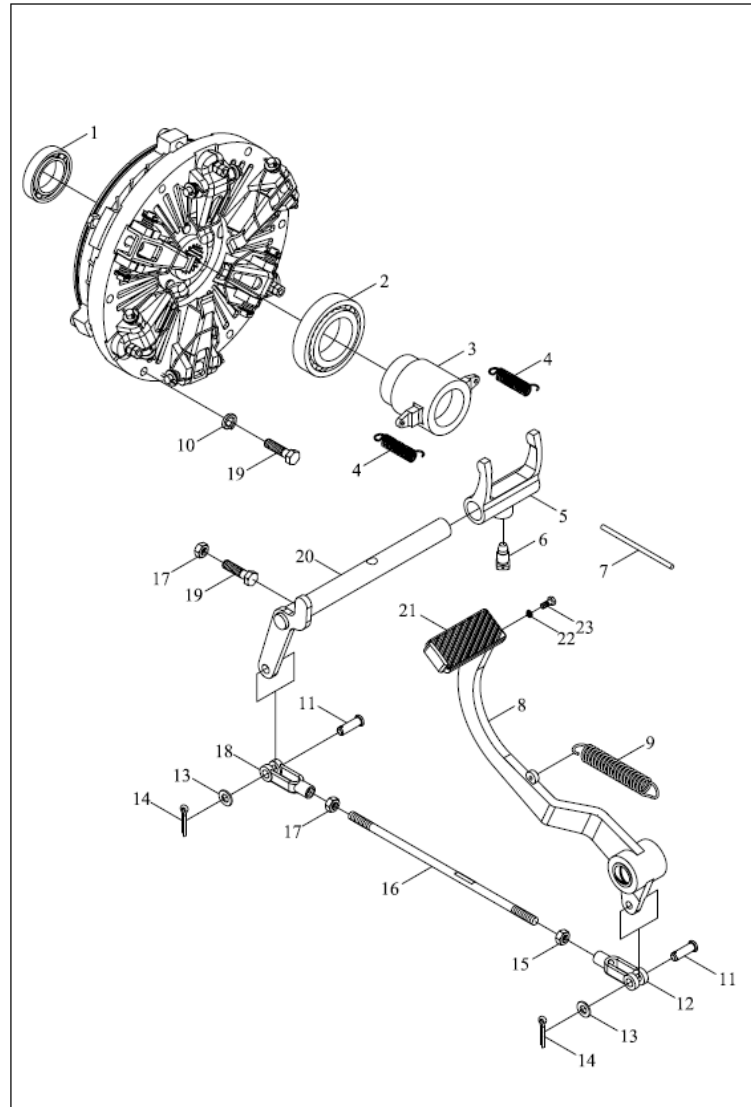
TB550.211A 离合器分总成



## TB550.211A 21.1-离合器总成 21.1-CLUTCH ASSEMBLY

标号 No.	代号 Code	名称 Description		数量 Quantity	备注 Remark
1	TB550.211A.2	副摩擦片总成	AUXILIARY FRICTION PIECE ASSEMBLY	1	2009-12_
1	CF550A.21.025	副离合器摩擦片总成	AUXILIARY FRICTION PIECE	1	2013-10_
10	FT400.21B.108	主分离杠杆弹簧	MAIN RELEASE LEVER SPRING	3	2009-12_
11	FT400.21B.110	顶杆	TOP ROD	3	2009-12_
12	FT300.21B.111	长销	LONG PIN	6	2009-12_
13	FT300.21B.109	销轴	PIN	3	2009-12_
14	GBT848-10-A2L	小垫圈	WASHER	12	2009-12_
14	GBT848-10	小垫圈	WASHER	12	2013-10_
15	GBT91-3.2X16	开口销	PIN	12	2013-10_
15	GBT91-3.2X16-A0P	开口销	PIN	12	2009-12_
16	FT300.21B.114	主离合器调整螺钉	MAIN CLUTCH ADJUSTING SCREW	3	2009-12_
17	GBT6171-M10X1	1型六角螺母	NUT	3	2013-10_
17	GBT6171-M10X1-A2L	螺母	NUT	3	2009-12_
18	FT400.21B.104	副离合器拉杆	AUXILIARY CLUTCH PULL ROD	3	2009-12_
19	GBT6171-M8X1-8-A2L	1型六角螺母	HEXAGON NUT	3	2009-12_
2	FT400.21B.102	副离合器压盘	AUXILIARY CLUTCH PRESSURE PLATE	1	2009-12_
20	FT300.21B.105	球头螺母	BALL NUT	3	2009-12_
20	FT300.21B.105	球头螺母	BALL NUT	3	2009-12_
3	TB550.211-01	碟形弹簧	DISC SPRING	1	2009-12_
4	FT400.21B.113	主离合器压盘	MAIN CLUTCH PRESSURE PLATE	1	2009-12_
5	TB550.211A.1	主摩擦片总成	MAIN FRICTION PLATE ASSEMBLY	1	2009-12_
6	FT400.21B.112	离合器盖	CLUTCH COVER	1	2009-12_
7	FT300.21B.120	副分离杠杆弹簧	AUXILIARY RELEASE LEVER SPRING	3	2009-12_
8	FT400.21B.106	副离合器分离杠杆	AUXILIARY CLUTCH RELEASE LEVER	3	2009-12_
9	FT400.21B.107	主离合器分离杠杆	MAIN CLUTCH RELEASE LEVER	3	2009-12_

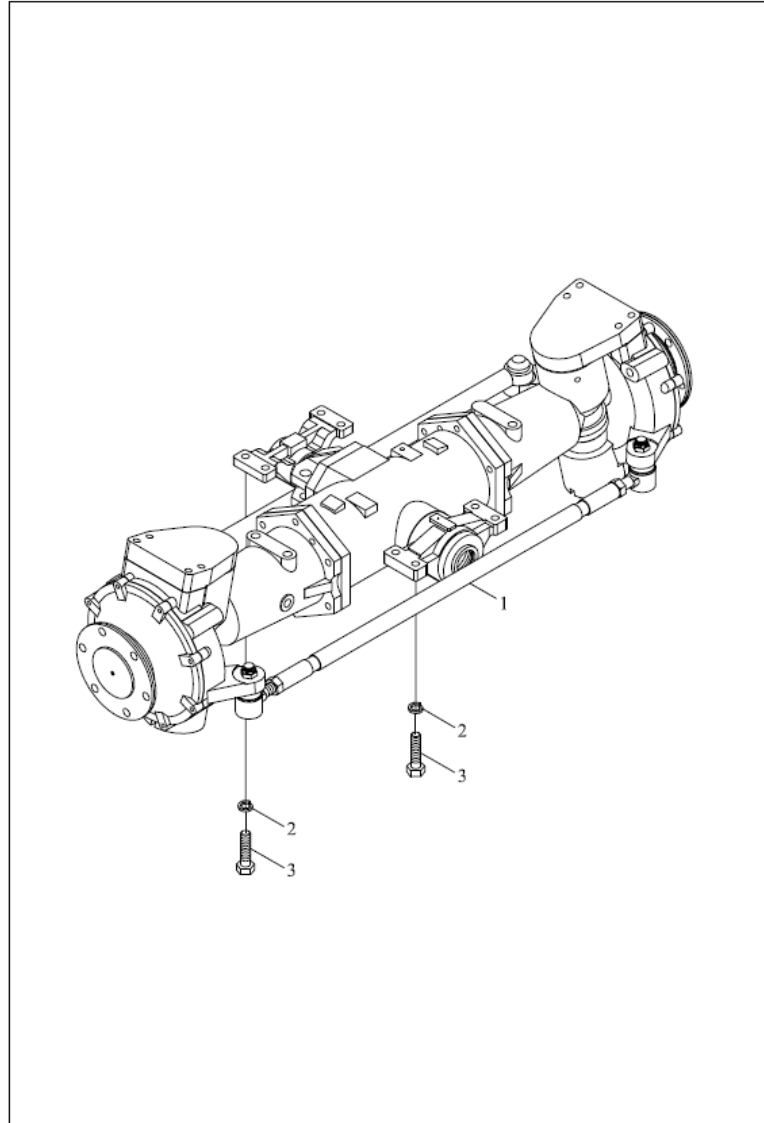
TB504.212 离合器操纵机构总成



TB504.212 21.2-离合器操纵机构总成 21.2-CLUTCH CONTROL MECHANISM ASSEMBLY

标号 No.	代号 Code	名称 Description		数量 Quantity	备注 Remark
1	GBT276-6204-2RS	轴承	BEARING	1	2011-11_
10	GBT93-10-AOP	标准型弹簧垫圈	WASHER	6	2011-11_
11	GBT882-B10X28	销轴	PIN	2	2011-11_
12	FT300.43.110	拉杆后叉	PULL ROD REAR FORK	1	2011-11_
13	GBT97.1-10-A0P	平垫圈	WASHER	2	2011-11_
14	GBT91-3.2X16-A0P	开口销	PIN	2	
15	GBT6170-M10-LH-A3L	螺母	NUT	1	2011-11_
16	FT300.21.110	拉杆	PULL ROD	1	2011-11_
17	GBT6170-M10-A3L	螺母	NUT	2	2011-11_
18	FT300.43.108	拉杆前叉	PULL ROD FRONT FORK	1	2011-11_
19	GBT5783-M10X40-8.8-A3L	螺栓	BOLT	7	2011-11_
2	TA800.212-02	推力轴承99 67 13	THRUST BEARING	1	2011-11_
20	FT300.21.013	离合器分离叉轴合件	CLUTCH RELEASE FORK SHAFT UNIT	1	2011-11_
21	TB504.21-01	离合器踏板焊合	CLUTCH PEDAL WELDMENT	1	2011-11_
22	GBT93-6-A0P	弹簧垫圈	SPRING WASHER	2	2011-11_
23	GBT5783-M6x16-A2L	螺栓	BOLT	2	2011-11_
3	FT400.21B.101	分离轴承座	RELEASE BEARING SEAT	1	2011-11_
4	FT300.21.102	推力轴承座回位弹簧	THRUST BEARING SEAT RETURN SPRING	2	2011-11_
5	FT300.21.103	分离拨叉	RELEASE SHIFT FORK	1	2011-11_
6	FT300.21.113	止动螺钉	THRUST SCREW	1	2011-11_
7	TA800.212B-02	低碳钢丝	LOW CARBON STEEL WIRE	1	2011-11_
8	TB504.21.1	离合器踏板体合件	CLUTCH PEDAL BODY UNIT	1	2011-11_
9	FT300.43.130	踏板回位弹簧	PEDAL RETURN SPRING	1	2011-11_

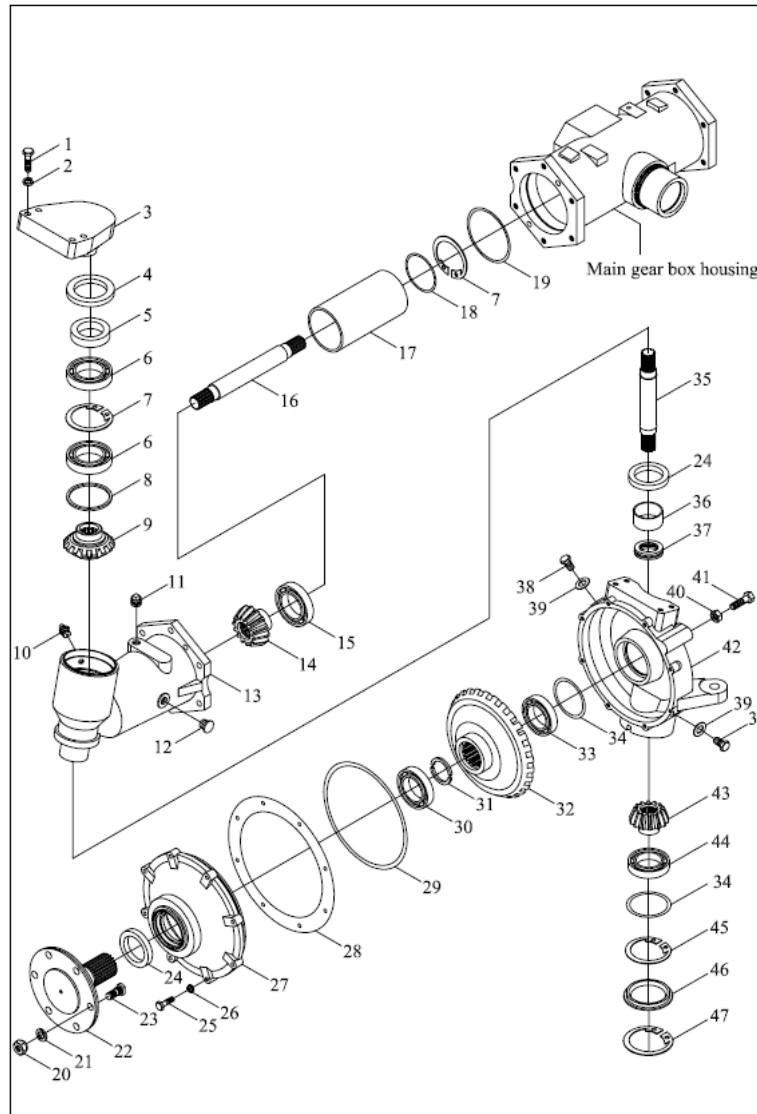
TB504.311Front driving axle assembly-1



## TB504.311-1 31.1.1-前驱动桥总成-1 FRONT DRIVING AXLE ASSEMBLY-1

标号 No.	代号 Code	名称 Description		数量 Quantity	备注 Remark
1	FT304.31F.011	前驱动桥分总成	FRONT DRIVING AXLE SUB-ASSEMBLY	1	2011-11_
2	GBT93-14-A0P	弹簧垫圈	SPRING WASHER	8	2011-11_
2	GBT93-14-A0P	弹簧垫圈	SPRING WASHER	8	2011-11_
3	GBT5783-M14X45-10.9-A3L	螺栓	BOLT	8	2011-11_

TB504.311Front driving axle assembly-2

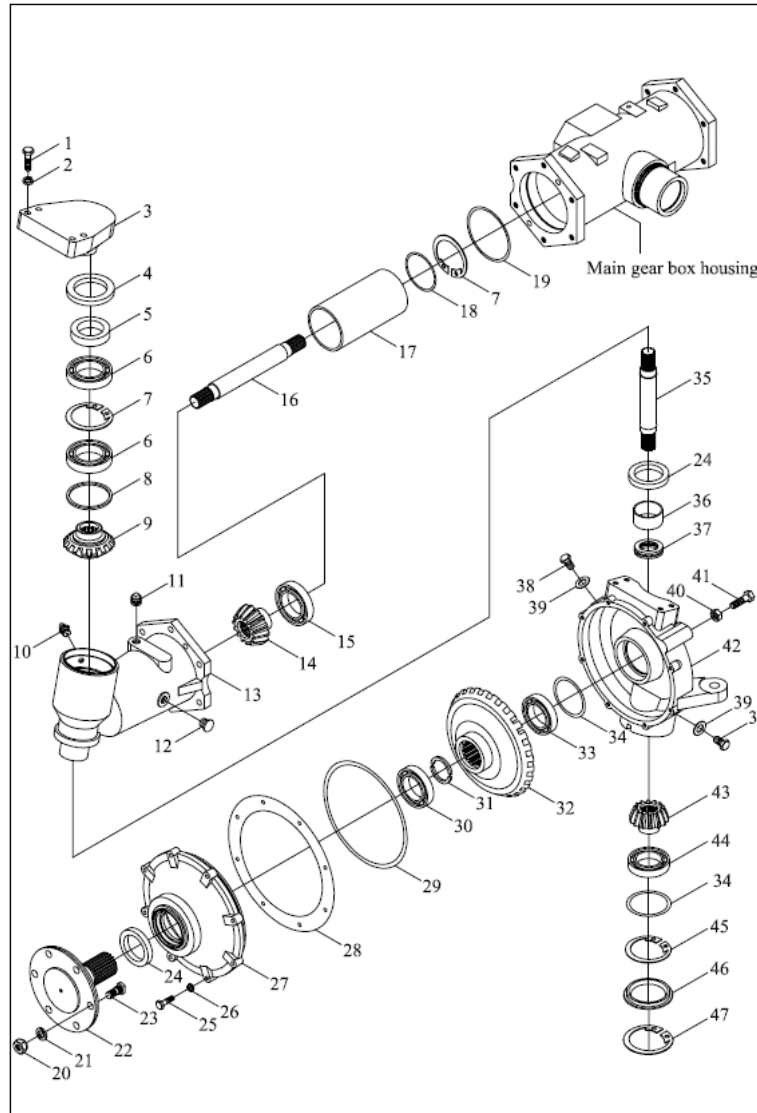


## TB504.311-2 31.1.2-前驱动桥总成-2 FRONT DRIVING AXLE ASSEMBLY-2

标号 No.	代号 Code	名称 Description		数量 Quantity	备注 Remark
0	FT304.31F.011	前驱动桥分总成	FRONT DRIVING AXLE SUB-ASSEMBLY	1	2011-11_
1	GBT5783-M12×40-8.8-A3L	六角头螺栓	BOLT	4	
10	JBT7940.1-M10X1	直通式压注油杯	STRAIGHT PRESSURE FILLING OIL CUP	1	2011-11_
11	QYXF70-Z3/8"	螺塞	SCREW PLUG	1	
12	GBT1160.2-A10	油标	DIPSTICK	1	2011-11_
13	FT304.31F.121	半轴壳体	HALF SHAFT HOUSING	1	2011-11_
14	FT304.31F.126	齿轮	GEAR	1	2011-11_
15	GBT276-6309	深沟球轴承	BEARING	1	2011-11_
16	FT304.31F.128	花键轴	SPLINE SHAFT	1	2011-11_
17	FT304.31F.127	套管	SLEEVE	1	2011-11_
18	FT304.31F.123	调整垫片	ADJUSTING WASHER	1	2011-11_
19	FT304.31F.130	调整垫片	ADJUSTING WASHER	1	2011-11_
2	GBT93-12	垫圈	WASHER	4	2011-11_
20	GBT6176-M14X1.5-10-A2L	2型六角螺母	HEXAGON NUT, TYPE-2	6	2004-01_
21	FT304.31F.205	垫圈	WASHER	6	2011-11_
22	FT304.31F.117	前驱动轴	FRONT DRIVING SHAFT	1	2011-11_
23	FT304.31F.115	滚花螺栓	BOLT	6	2011-11_
24	FT304.31F	浮动油封	FLOATING OIL SEAL	2	2011-11_
24.1	65*4.8	O形圈	O-RING	5	2011-11_
25	GBT5783-M8X35	六角头螺栓	BOLT	8	2011-11_
26	GBT93-8	垫圈8	WASHER 8	8	2011-11_
27	FT304.31F.107	端部大盖	BIG END COVER	1	2011-11_
28	FT304.31F.190	调整垫	ADJUSTING GASKET	1	2011-11_
29	GBT3452.1-236X5.3G	液压气动用O形橡胶密封圈	O-SEAL RING	1	2011-11_
3	FT304.31F.124	连接盖	CONNECTING COVER	1	2011-11_



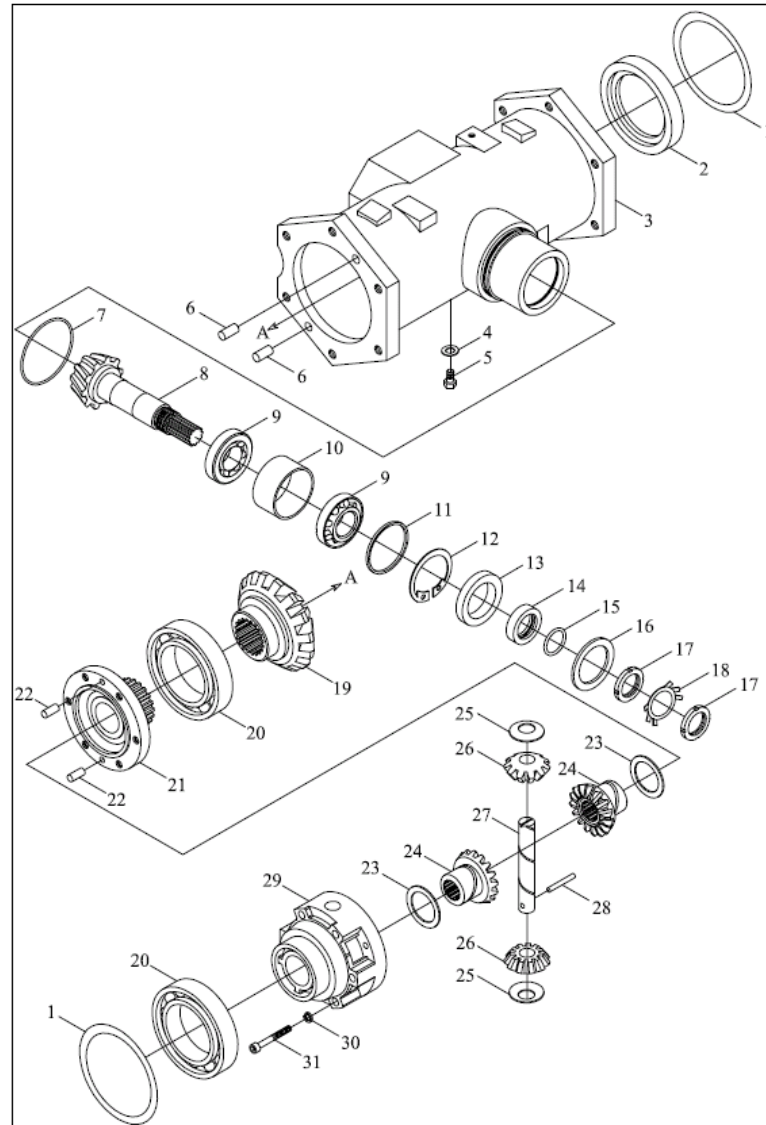
TB504.311Front driving axle assembly-2



## TB504.311-2 31.1.2-前驱动桥总成-2(续)

标号 No.	代号 Code	名称 Description		数量 Quantity	备注 Remark
30	GBT276-6310	轴承	BEARING	1	2011-11_
31	FT304.31F.114	挡圈	RETAINER RING	2	2011-11_
32	FT304.31F.108	端部大齿轮	BIG END GEAR	1	2011-11_
33	GBT276-6210	深沟球轴承	BEARING	1	2011-11_
34	FT304.31F.113	调整垫	ADJUSTING GASKET	2	
35	FT304.31F.110	端部花键轴	END SPLINE SHAFT	1	
36	FT304.31F.111	衬套	SLEEVE	1	2011-11_
37	GBT301-51107	轴承	BEARING	1	2011-11_
38	FT304.31F.105	螺塞	SCREW PLUG	2	
38	FT304.31F.105	螺塞	SCREW PLUG	2	
39	FT304.31F.106	垫圈	WASHER	2	2011-11_
4	GBT9877.1-FB80X105X12	内包骨架旋转轴唇形密封	O RING	1	2011-11_
40	GBT6170-M16	螺母	NUT	1	2011-11_
41	GBT5783-M16X50-10.9-A3L	六角头螺栓	BOLT	1	
42	FT304.31F.109	左末端壳体	LEFT END HOUSING	1	2011-11_
43	FT304.31F.112	端部小齿轮	END PINION	1	2011-11_
44	GBT276-6308	深沟球轴承	BEARING	1	2011-11_
45	GBT893.1-90	挡圈90	RETAINER RING	1	2011-11_
46	FT304.31F.022	密封盖	SEAL CAP	1	2011-11_
47	GBT893.1-102	孔用弹性挡圈	SNAP RING	1	2011-11_
5	FT304.31F.125	油封衬套	OIL SEAL BUSH	1	2011-11_
6	GBT276-6013	深沟球轴承	BEARING	2	2011-11_
7	GBT893.1-100	孔用弹性挡圈	SNAP RING	2	2011-11_
8	FT304.31F.188	平垫	WASHER	1	2011-11_
9	FT304.31F.122	齿轮	GEAR	1	2011-11_

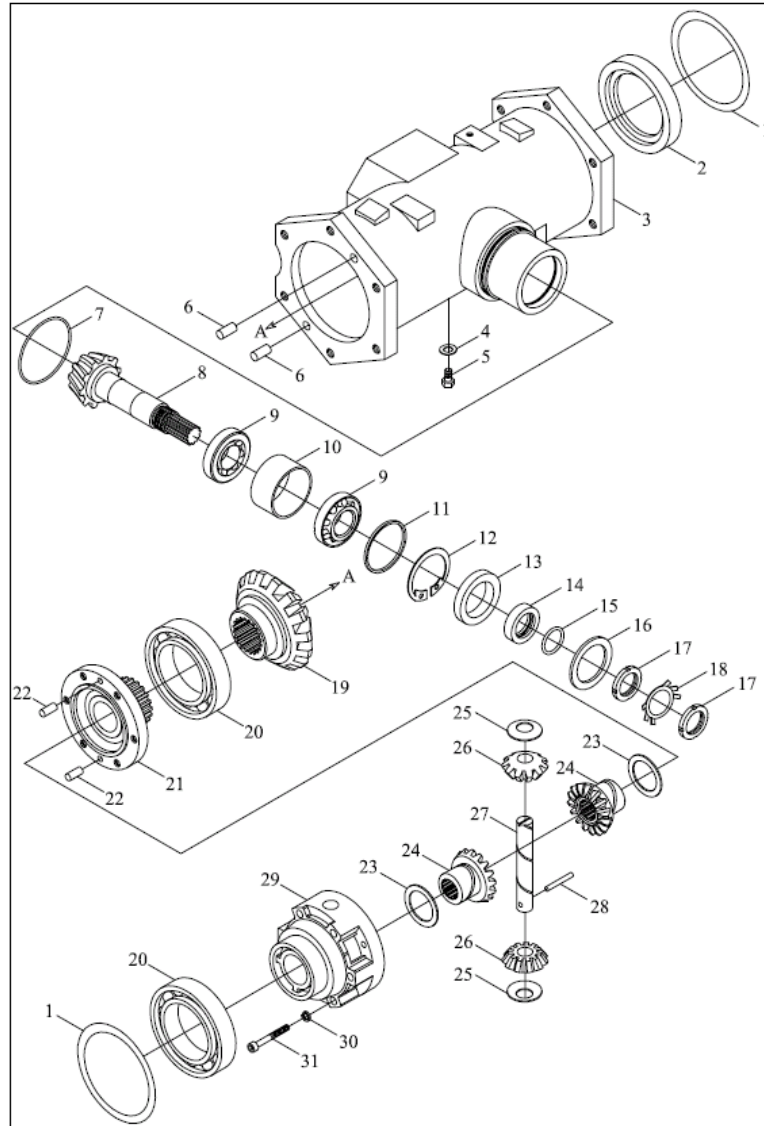
TB504.311 Front driving axle assembly-3



## TB504.311-3 31.1.3-前驱动桥总成-3 FRONT DRIVING AXLE ASSEMBLY-3

标号 No.	代号 Code	名称 Description		数量 Quantity	备注 Remark
0	FT304.31F.011	前驱动桥分总成	FRONT DRIVING AXLE SUB-ASSEMBLY	1	2011-11_
1	GBT3452.1-140X3.5G	O型密封圈	O RING	2	2011-11_
10	FT304.31F.132	隔套	SPACER BUSH	1	2011-11_
10	FT304.31F.132	隔套	SPACER BUSH	1	2011-11_
11	FT304.31F.133	调整套	ADJUSTING SLEEVE	1	2011-11_
12	GBT893.1-72	挡圈	RETAINER RING	1	2011-11_
13	GBT9877.1-F50X72X8D	内包骨架旋转轴唇形密封	O RING	1	2011-11_
14	FT304.31F.134	油封座	OIL SEAL CAGE	1	2011-11_
15	GBT3452.1-34.5X3.55G	液压气动用O形橡胶密封圈	O-SEAL RING	1	2011-11_
16	FT304.31F.104	铜垫	COPPER WASHER	1	2011-11_
17	GBT810-M30X1.5	小圆螺母	NUT	2	2011-11_
18	GBT858-30	止退垫圈	WASHER LOCK	1	2011-11_
19	FT304.31F.138	中央传动大螺旋伞齿轮	CENTRAL TRANSMISSION BIG SPIRAL BEVEL	1	2011-11_
2	FT304.31F.191	定位盘	GEAR	1	2011-11_
20	GBT276-6216	深沟球轴承	LOCATING PLATE BEARING	2	2011-11_
21	FT304.31F.137	差速器右壳		1	2011-11_
22	GBT119-B8X20	圆柱销	DIFFERENTIAL RIGHT HOUSING	2	2011-11_
22	GBT119-B8X20	圆柱销	PIN	2	2011-11_
23	FT304.31F.139	隔圈	PIN	2	2011-11_
24	FT304.31F.144	半轴齿轮	HALF SHAFT GEAR	2	2011-11_
25	FT304.31F.140	垫圈		2	2011-11_
26	FT304.31F.143	行星齿轮	WASHER	2	2011-11_
27	FT304.31F.142	销轴	PLANETARY GEAR	1	2011-11_
28	FT304.31F.141	止动销	PIN	1	2011-11_
29	FT304.31F.136	差速器左壳	THRUST PIN	1	2011-11_

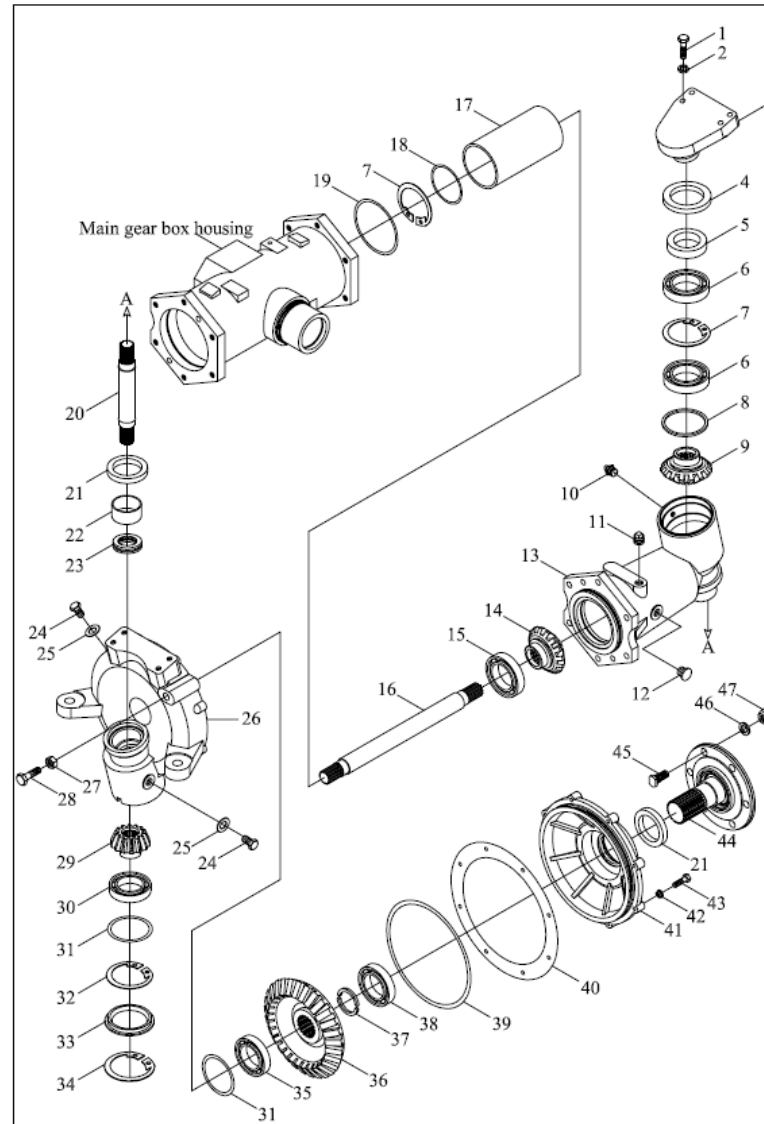
TB504.311 Front driving axle assembly-3



## TB504.311-3 31.1.3-前驱动桥总成-3(续)

标号 No.	代号 Code	名称 Description		数量 Quantity	备注 Remark
3	FT304.31F.129	主减速箱壳体	MAIN REDUCER BOX HOUSING	1	2011-11_
30	GBT93-10	垫圈10	WASHER 10	6	2011-11_
31	GBT70-M10X70	内六角圆柱头螺钉	SCREW	6	2011-11_
4	FT304.31F.106	垫圈	WASHER	1	2011-11_
5	FT304.31F.105	螺塞	SCREW PLUG	1	2011-11_
5	FT304.31F.105	螺塞	SCREW PLUG	1	2011-11_
6	GBT119-B12X20	圆柱销	PIN	4	2011-11_
7	GBT3452.1-90X2.65G	液压气动用O形橡胶密封圈	O-SEAL RING	1	2011-11_
8	FT304.31F.131	主动螺旋伞齿轮轴	DRIVING SPIRAL BEVEL GEAR SHAFT	1	2011-11_
9	GBT297-32207	圆锥滚子轴承	BEARING	2	2011-11_

TB504.311 Front driving axle assembly-4

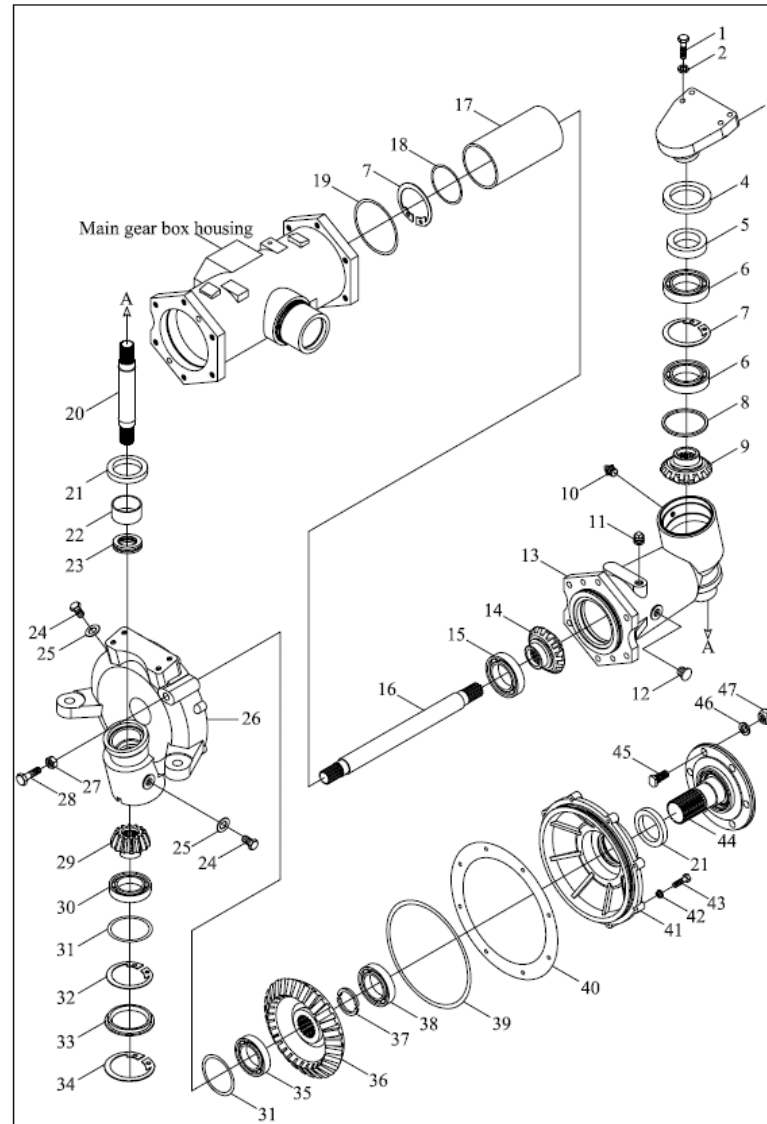


## TB504.311-4 31.1.4-前驱动桥总成-4 FRONT DRIVING AXLE ASSEMBLY-4

标号 No.	代号 Code	名称 Description		数量 Quantity	备注 Remark
0	FT304.31F.011	前驱动桥分总成	FRONT DRIVING AXLE SUB-ASSEMBLY	1	2011-11_
1	GBT5783-M12X40-10.9-A3L	六角头螺栓	BOLT	4	
10	JBT7940.1-M10X1	直通式压注油杯	STRAIGHT PRESSURE FILLING OIL CUP	1	2011-11_
11	GBT70-M8×25	螺钉 M8×25	SCREW	6	
12	GBT1160.2-A10	油标	DIPSTICK	1	2011-11_
13	FT304.31F.121	半轴壳体	HALF SHAFT HOUSING	1	2011-11_
14	FT304.31F.126	齿轮	GEAR	1	2011-11_
15	GBT276-6309	深沟球轴承	BEARING	1	2011-11_
16	FT304.31F.145	花键轴	SPLINE SHAFT	1	2011-11_
17	FT304.31F.127	套管	SLEEVE	1	2011-11_
18	FT304.31F.123	调整垫片	ADJUSTING WASHER	1	2011-11_
19	FT304.31F.130	调整垫片	ADJUSTING WASHER	1	2011-11_
2	GBT93-12	垫圈	WASHER	4	2011-11_
20	FT304.31F.110	端部花键轴	END SPLINE SHAFT	1	2011-11_
21	FT304.31F	浮动油封	FLOATING OIL SEAL	2	2011-11_
22	FT304.31F.111	衬套	SLEEVE	1	2011-11_
23	GBT301-8107	推力球轴承	HANDSPIKE BALL BEARING	1	2011-11_
24	FT304.31F.105	螺塞	SCREW PLUG	2	2011-11_
24	FT304.31F.105	螺塞	SCREW PLUG	2	2011-11_
25	FT304.31F.106	垫圈	WASHER	2	2011-11_
26	FT304.31F.146	右末端壳体	RIGHT END HOUSING	1	2011-11_
27	GBT6170-M16	螺母	NUT	1	2011-11_
28	QJ554.31.144B	调整垫片	ADJUSTING WASHER	999	2011-11_
29	FT304.31F.112	端部小齿轮	END PINION	1	2011-11_
3	FT304.31F.124	连接盖	CONNECTING COVER	1	2011-11_



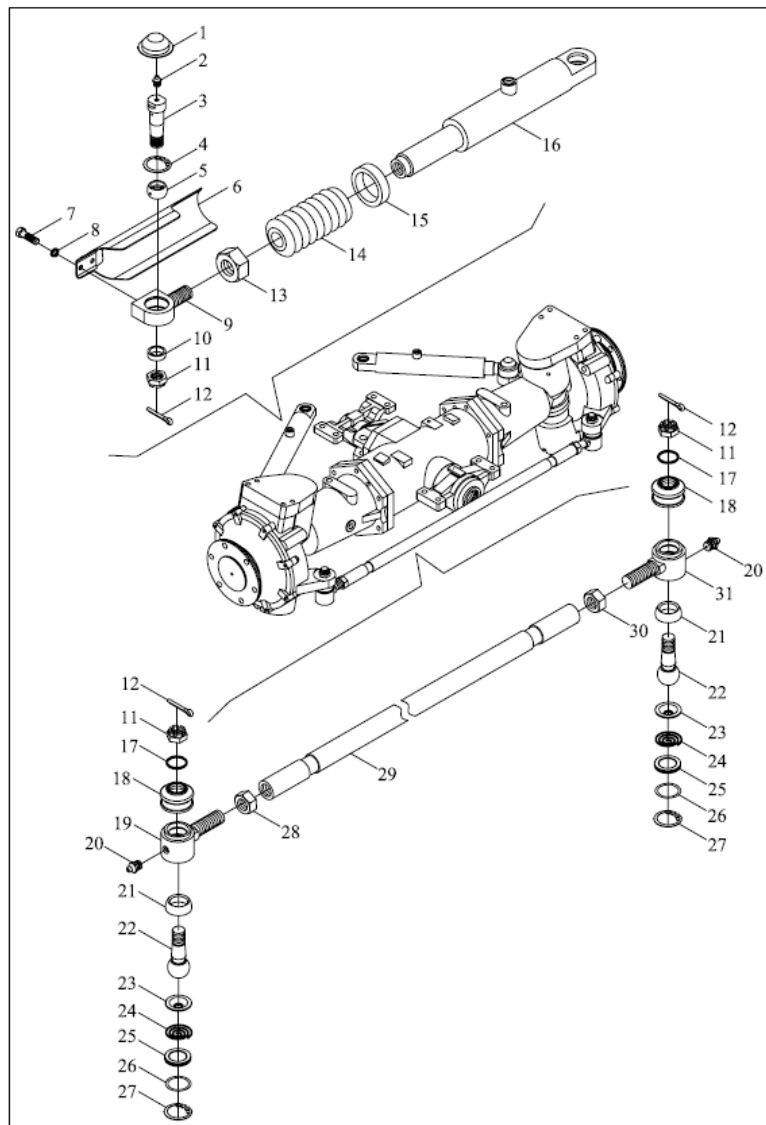
TB504.311 Front driving axle assembly-4



## TB504.311-4 31.1.4-前驱动桥总成-4(续)

标号 No.	代号 Code	名称 Description		数量 Quantity	备注 Remark
30	GBT276-6308	深沟球轴承	BEARING	1	2011-11_
31	FT304.31F.113	调整垫	ADJUSTING GASKET	2	2011-11_
32	GBT893.1-90	挡圈90	RETAINER RING	1	2011-11_
33	FT304.31F.022	密封盖	SEAL CAP	1	2011-11_
34	GBT893.1-102	孔用弹性挡圈	SNAP RING	1	2011-11_
35	GBT276-6210	深沟球轴承	BEARING	1	2011-11_
36	FT304.31F.108	端部大齿轮	BIG END GEAR	1	2011-11_
37	FT304.31F.114	挡圈	RETAINER RING	2	2011-11_
38	GBT276-6310	轴承	BEARING	1	2011-11_
39	GBT3452.1-236X5.3G	液压气动用O形橡胶密封圈	O-SEAL RING	1	2011-11_
4	GBT9877.1-FB80X105X12	内包骨架旋转轴唇形密封	O RING	1	2011-11_
40	FT304.31F.190	调整垫	ADJUSTING GASKET	1	2011-11_
41	FT304.31F.107	端部大盖	BIG END COVER	1	2011-11_
42	GBT93-8	垫圈8	WASHER 8	8	2011-11_
43	GBT5783-M8X35	六角头螺栓	BOLT	8	2011-11_
44	FT304.31F.117	前驱动轴	FRONT DRIVING SHAFT	1	2011-11_
45	FT304.31F.115	滚花螺栓	BOLT	6	2011-11_
46	FT304.31F.205	垫圈	WASHER	6	2011-07_
47	GBT6176-M14X1.5	螺母14X1.5	NUT	6	
5	FT304.31F.125	油封衬套	OIL SEAL BUSH	1	2011-11_
6	GBT276-6013	深沟球轴承	BEARING	2	2011-11_
7	GBT893.1-100	孔用弹性挡圈	SNAP RING	2	2011-11_
8	FT304.31F.188	平垫	WASHER	1	2011-11_
9	FT304.31F.122	齿轮	GEAR	1	2011-11_

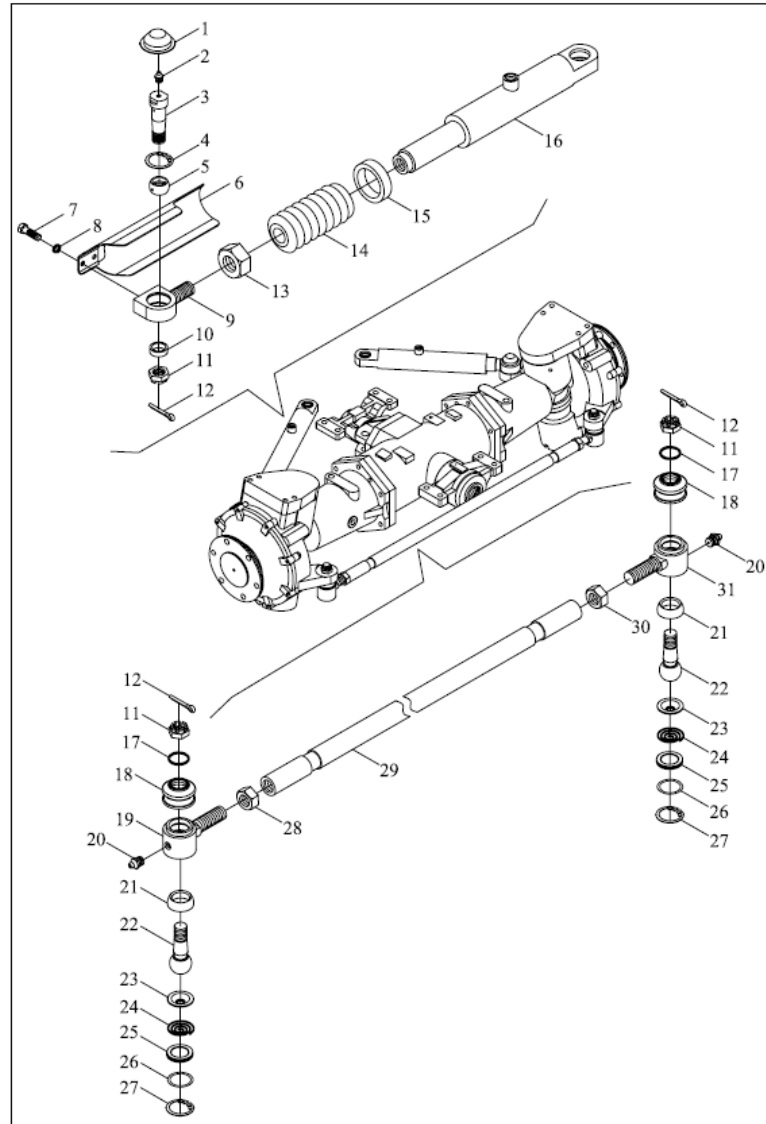
TB504.311 前驱动桥总成-5



## TB504.311-5 31.1.5-前驱动桥总成-5 FRONT DRIVING AXLE ASSEMBLY-5

标号 No.	代号 Code	名称 Description		数量 Quantity	备注 Remark
.1	FT304.31F.036	左油缸球头总成	LEFT CYLINDER JOINT ASSEMBLY	1	2011-11_
.1	FT304.31F.036	左油缸球头总成	LEFT CYLINDER JOINT ASSEMBLY	1	2011-11_
.2	FT304.31F.037	右油缸球头总成	RIGHT OIL CYLINDER JOINT ASSEMBLY	1	2011-11_
.3	FT304.31F.033	右转向球头总成	STEERING BALL HEAD ASSY、 RIGHT	1	2011-11_
.4	FT304.31F.032	左转向球头总成	STEERING BALL HEAD ASSY、 LEFT	1	2011-11_
1	FT304.31F.160	防尘帽	DUSTPROOF CAP	2	2011-11_
10	FT304.31F.167	隔套	SPACER BUSH	2	2011-11_
11	FT304.31F.168	六角开槽螺母	HEXAGON SLOTTED NUT	4	2011-11_
12	GBT91	开口销 3.2 × 25	COTTER PIN 3.2 25	4	
13	GBT6173-M20X1.5	六角薄螺母	NUT	2	2011-11_
14	FT304.31F.027	防尘皮套	DUSTPROOF LEATHER SLEEVE	2	2011-11_
15	Q50MZ3040-50	管箍	PIPE HOOP	2	2011-11_
16	FT304.31F.019a	液压缸	HYDRAULIC CYLINDER	2	2011-11_
17	FT304.31F.184	卡簧	CIRCLIP	2	2011-11_
18	FT304.31F.026A	防尘皮	DUSTPROOF POCKET	2	2010-07_
19	FT304.31F.174A	左球头销座	LEFT BALL PIN SEAT	1	2011-11_
2	JBT7940.1-M6X1	油杯	OIL CUP	2	2011-11_
2	JBT7940.1-M6X1	油杯	OIL CUP	2	2011-11_
20	JBT7940.1-M6X1	油杯	OIL CUP	2	2011-11_
20	JBT7940.1-M6X1	油杯	OIL CUP	2	2011-11_
21	804.31.151	球头销座	BALL HEAD PIN SEAT	2	2011-11_
22	FT304.31F.177A	球头销	BALL PIN	2	2010-07_
23	8004.31.153	球头销盖	BALL PIN COVER	2	2011-11_
24	8004.31.154	弹簧	SPRING	2	2011-11_
25	FT304.31F.187	压盖	PRESSURE COVER	2	2011-11_

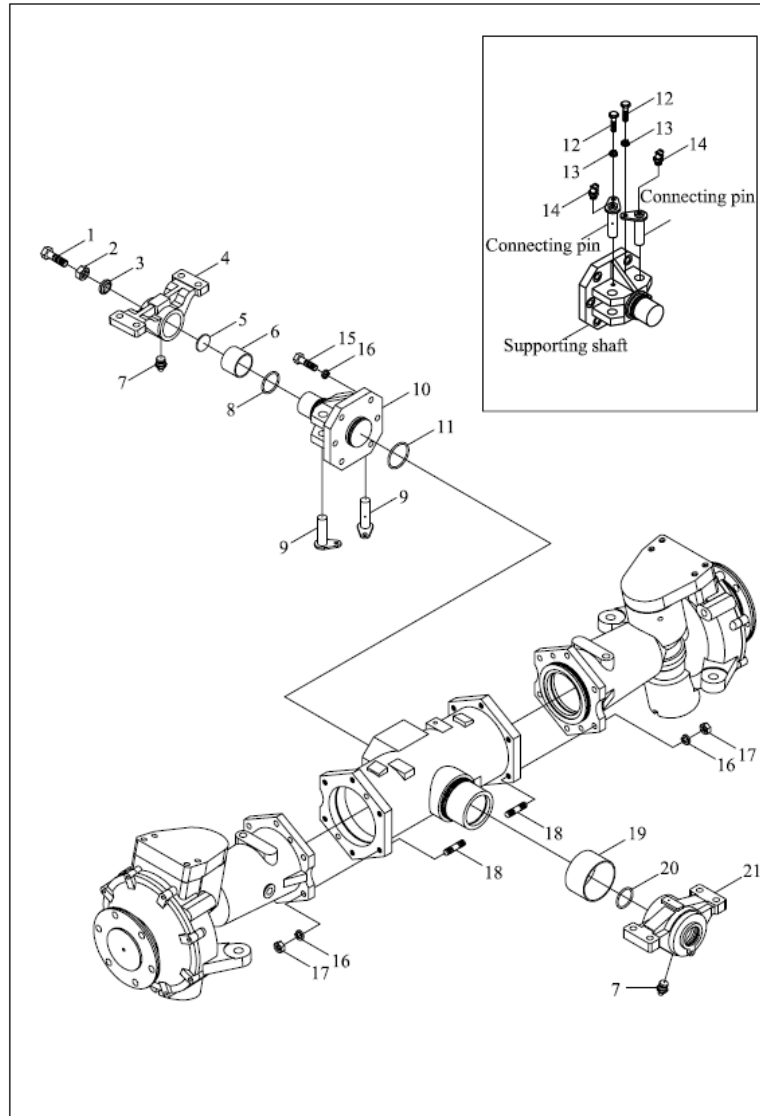
TB504.311 前驱动桥总成-5



## TB504.311-5 31.1.5-前驱动桥总成-5(续)

标号 No.	代号 Code	名称 Description		数量 Quantity	备注 Remark
26	GBT3452.1-33.5X1.8G	O型圈	O-RING	1	2011-11_
27	GBT893.1-37	孔用弹性挡圈	SNAP RING	2	2011-11_
28	GBT6171-M20X1.5-LH	1型六角螺母	NUT	1	
29	FT304.31F.175	拉杆	PULL ROD	1	2011-11_
3	FT304.31F.165a	固定销	FIXING PIN	2	2011-11_
30	GBT6171-M20X1.5	1型六角螺母	NUT	1	2011-11_
31	FT304.31F.176A	右球头销座	RIGHT BALL PIN SEAT	1	
4	GBT893.1-35	挡圈	RETAINER RING	2	2011-11_
5	GBT9163-GE20ES	向心关节轴承	BEARING	2	2011-11_
6	FT304.31F.185	左护板	LEFT GUARD PLATE	1	2011-11_
6.1	FT304.31F.186	右护板	RIGHT GUARD PLATE	1	
7	GBT5783-M8X16	螺栓	BOLT	4	2011-11_
8	GBT93-8	垫圈8	WASHER 8	4	2011-11_
9	FT304.31F.195	左活塞杆耳环	EAR RING OF LEFT PISTON ROD	1	2011-11_
9.1	FT304.31F.196	右活塞杆耳环	RIGHT PISTON ROD EAR RING	1	

TB504.311 Front driving axle assembly-6

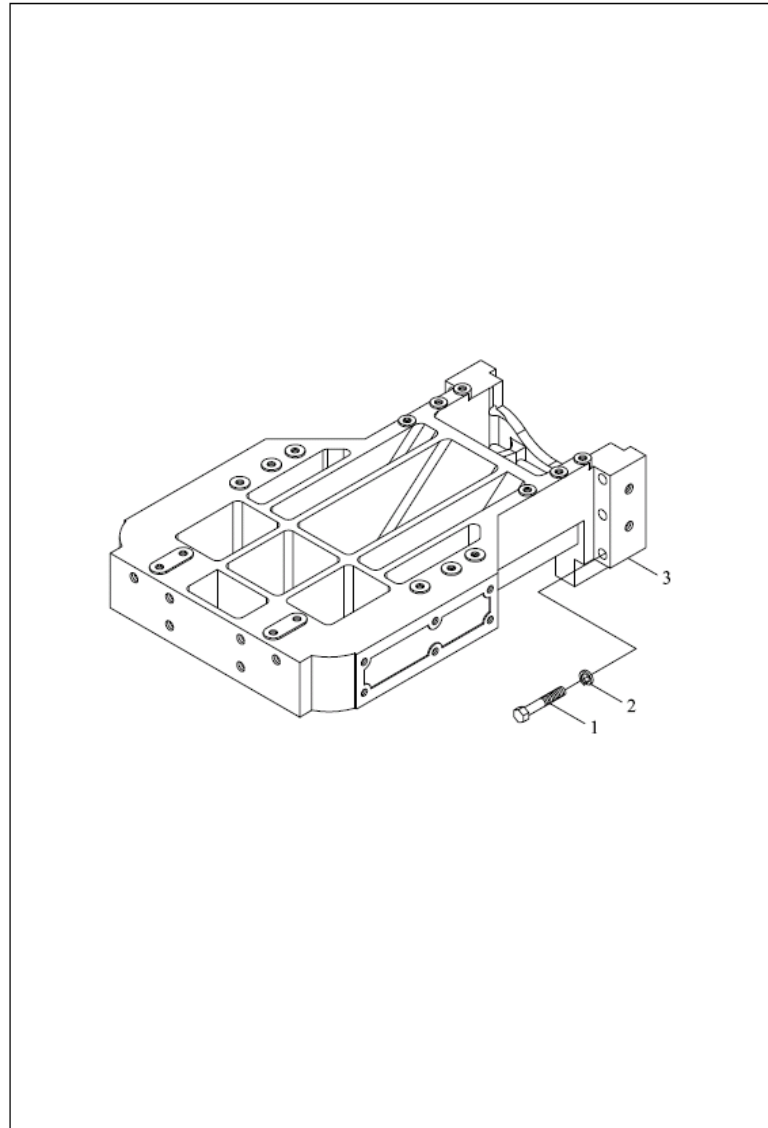


## TB504.311-6 31.1.6-前驱动桥总成-6 FRONT DRIVING AXLE ASSEMBLY-6

标号 No.	代号 Code	名称 Description		数量 Quantity	备注 Remark
0	FT304.31F.011	前驱动桥分总成	FRONT DRIVING AXLE SUB-ASSEMBLY	1	2011-11_
1	GBT5783-M16X40-8.8-A3L	六角头螺栓	BOLT	1	2011-11_
10	FT304.31F.147	支撑轴	SHAFT	1	2011-11_
11	GBT3452.1-58X3.55G	液压气动用O形橡胶密封圈	O-SEAL RING	1	2011-11_
12	GBT5783-M8X20-Zn.D	螺栓	BOLT	2	
13	GBT93-8	垫圈8	WASHER 8	2	2011-11_
14	GBT7940.2-M8X1	油杯	OIL CUP	2	2011-11_
15	GBT5783-M12X40-10.9	六角头螺栓全螺纹	BOLT	6	
16	GBT93-12	垫圈	WASHER	18	2011-11_
17	GBT6170-M12	螺母	NUT	12	2011-11_
18	GBT900-AM12X40-8.8-Zn.D	螺柱	STUD	12	2011-11_
19	FT304.31F.156	滑动轴承	SLIDING BEARING	1	2011-11_
2	GBT6170-M16	螺母	NUT	1	2011-11_
20	GBT3452.1-45X3.55G	液压气动用O形橡胶密封圈	O-SEAL RING	1	2011-11_
21	FT304.31F.155	后支撑轴座	REAR SUPPORTING SHAFT SEAT	1	2011-11_
3	FT304.31F.025	密封垫	SEAL GASKET	1	2011-11_
4	FT304.31F.149	前支撑轴座	FRONT SUPPORT SHAFT SEAT	1	2011-11_
5	FT304.31F.150	垫片	WASHER	1	2011-11_
6	FT304.31F.148	滑动轴承	SLIDING BEARING	1	2011-11_
7	GBT7940.1-M8X1	油杯	OIL CUP	2	2011-11_
8	GBT3452.1-47.5X3.55G	液压气动用O形橡胶密封圈	O-SEAL RING	1	2011-11_
9	FT304.31F.024	连接销	CONNECTING PIN	2	2011-11_



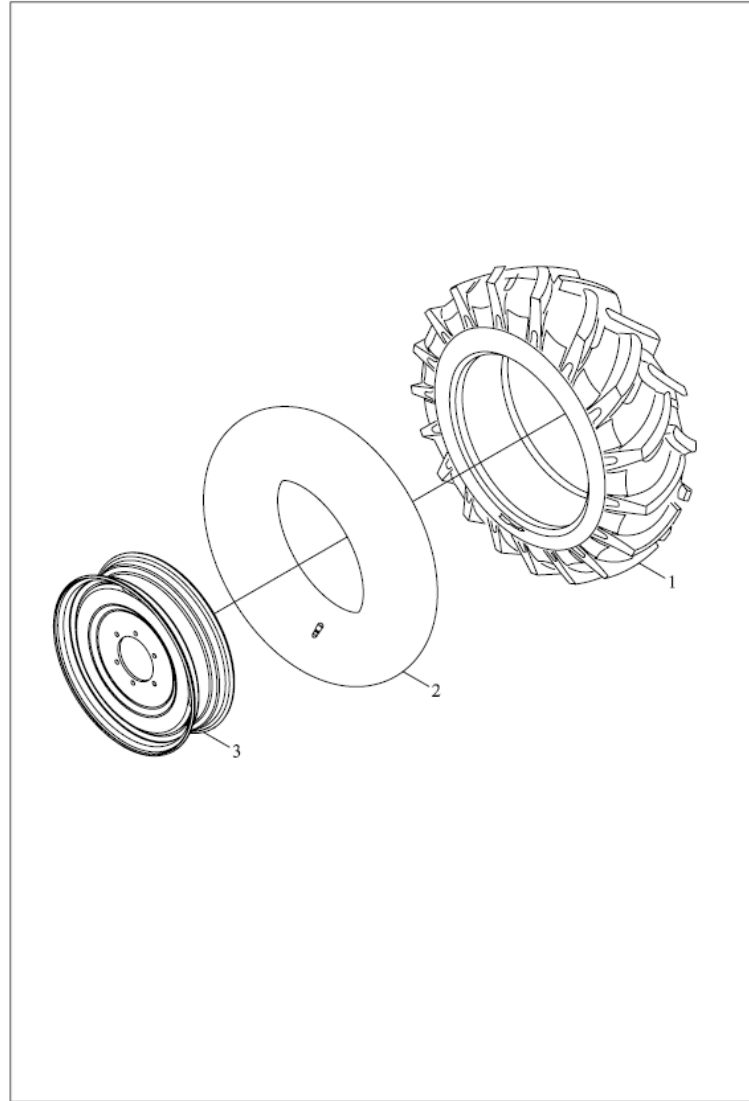
TB554.312Front tray assembly



## TB554.312 31.2-前托架总成 31.2-FRONT BRACKET ASSEMBLY

标号 No.	代号 Code	名称 Description		数量 Quantity	备注 Remark
1	GBT5782-M16X110-10.9-A2L	六角头螺栓	BOLT	6	2011-11_
2	GBT93-16-A0P	弹簧垫圈	SPRING WASHER	6	2011-11_
3	TB554.312-01	前托架	FRONT BRACKET	1	2011-11_

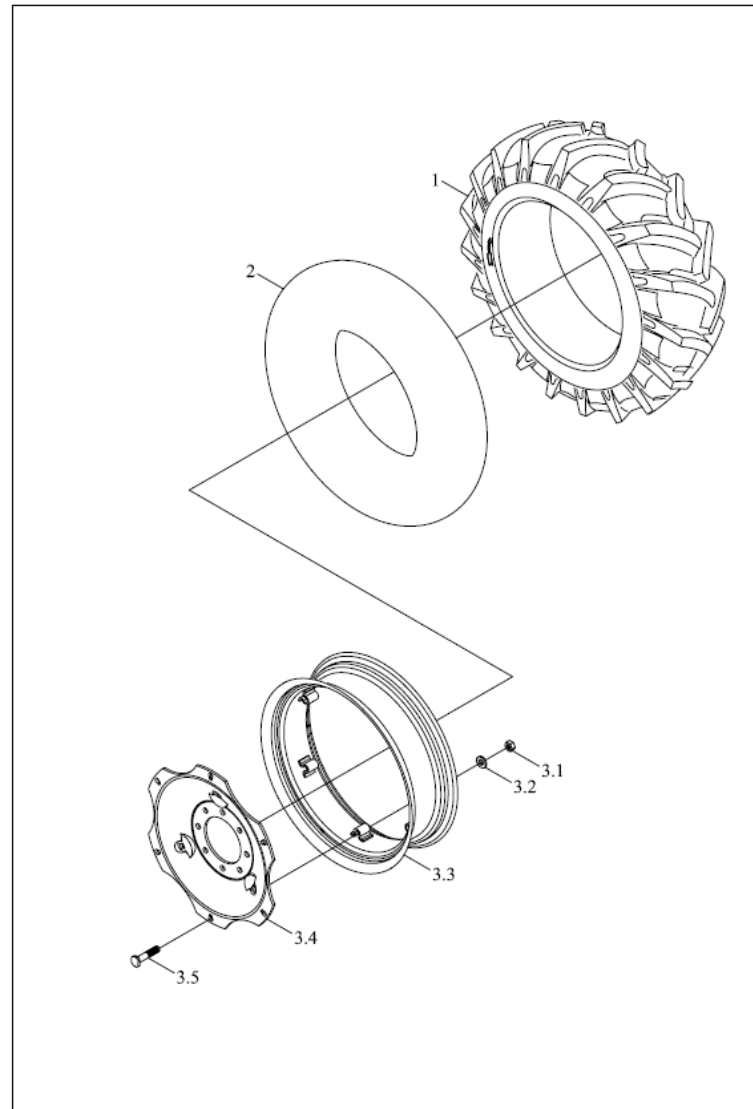
FT404.32F.001 前驱动轮总成



FT404.32F.001 32-前驱动轮总成 32-FRONT DRIVING WHEEL ASSEMBLY

标号 No.	代号 Code	名称 Description		数量 Quantity	备注 Remark
1	GBT2979-8.3-20-6PR-PR	拖拉机驱动轮水田专用斜交结构外胎	DRIVING WHEEL OUTER TUBE	1	
2	GBT2979-8.3-20-R	拖拉机驱动轮内胎	DRIVING WHEEL INNER TUBE	1	2013-02_
3	FT404.32F.011	轮辋焊合	WHEEL RIM WELD	1	2011-11_

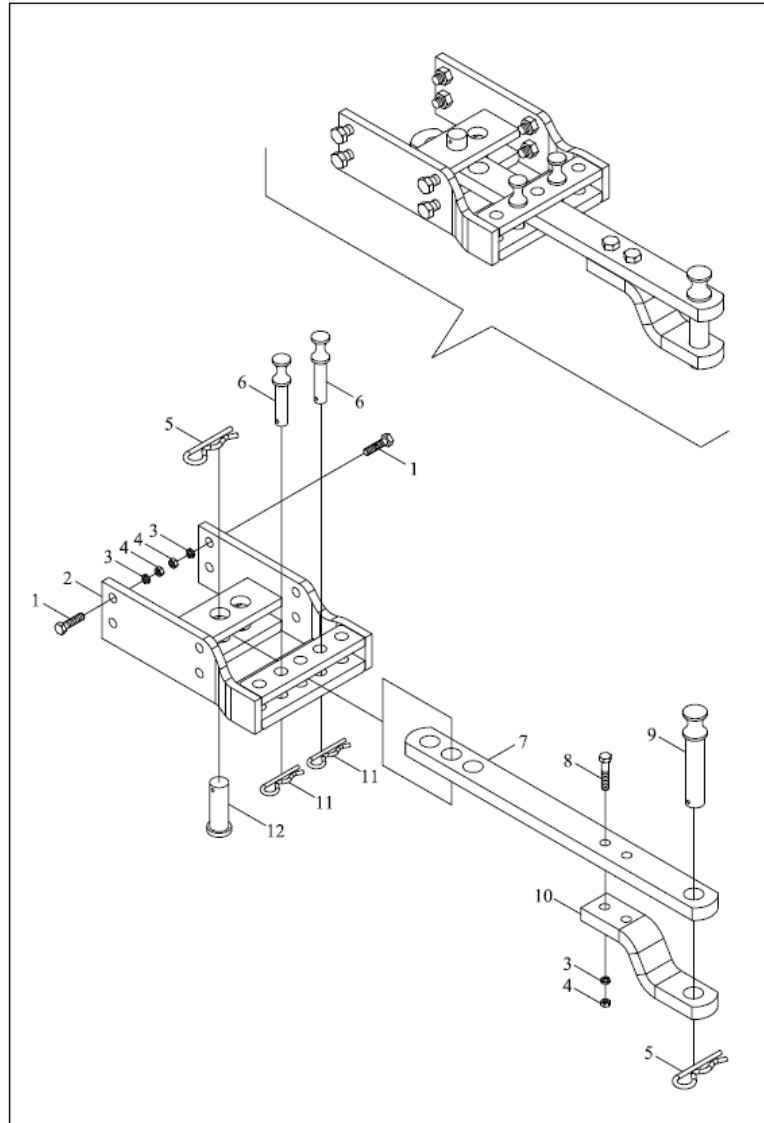
FT400.34F.001 后驱动轮总成



FT400.34F.001 34-后驱动轮总成 34-REAR DRIVE WHEEL ASSEMBLY

标号 No.	代号 Code	名称 Description		数量 Quantity	备注 Remark
1	GBT2979-12.4-28-8PR-R	拖拉机驱动轮普通断面斜交结构外胎	DRIVING WHEEL OUTER TUBE	1	2011-11_
2	GBT2979-12.4-28-R	拖拉机驱动轮内胎	DRIVING WHEEL INNER TUBE	1	2011-11_
2	GBT2979-12.4-28-R	拖拉机驱动轮内胎	DRIVING WHEEL INNER TUBE	1	2011-11_
3	FT400.34F.011	轮辋总成	RIM ASSEMBLY	1	2011-11_
3.1	GBT6171-M16X1.5-A3L	1型六角螺母	NUT	6	2011-11_
3.2	FT300.34.106	垫圈	WASHER	6	2011-11_
3.3	FT400.34F.012	轮辋焊合	WHEEL RIM WELD	1	2011-11_
3.4	FT400.34.103b	轮辐	SPOKE	1	2011-11_
3.5	FT300.34.102	轮辋螺栓	RIM BOLT	6	2011-11_

FT300.35A.001 Traction mechanism assembly

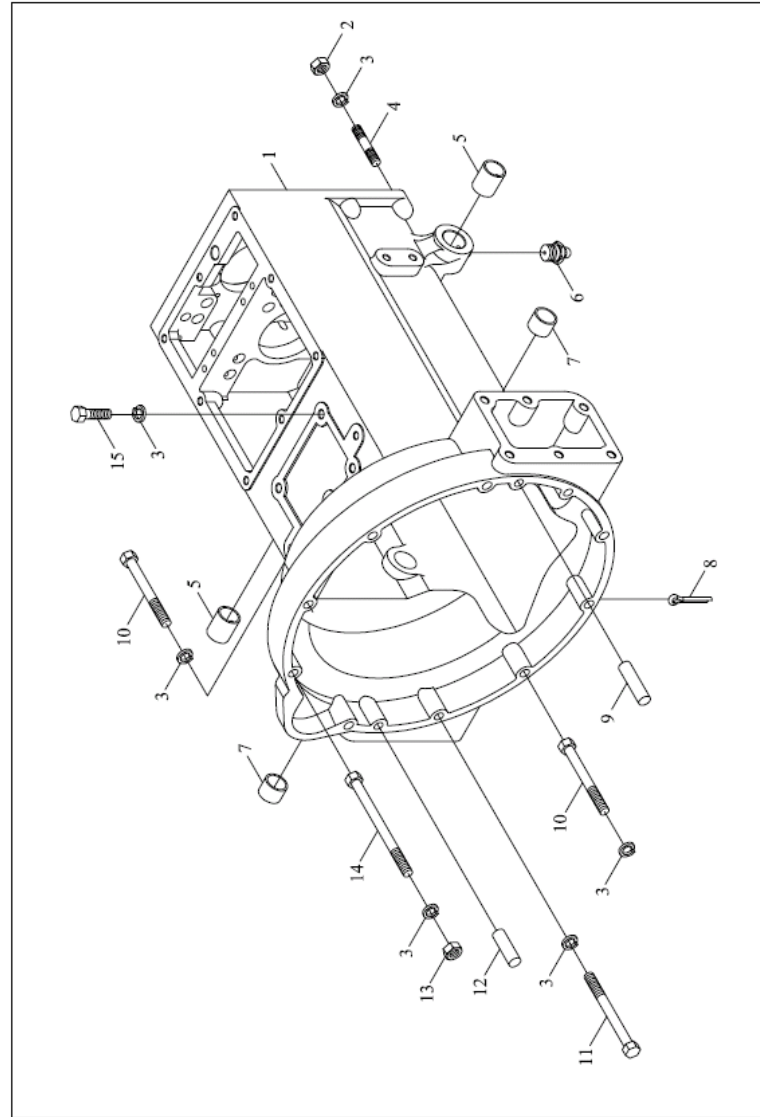


FT300.35A.001 35-牵引机构总成 35-TOWING MECHANISM ASSEMBLY

标号 No.	代号 Code	名称 Description		数量 Quantity	备注 Remark
1	GBT5783-M16×60-A3L	螺栓	BOLT	8	2010-11_
10	FT300.35A.101	连接摆杆	CONNECTING SWING ROD	1	2010-11_
11	FT300.35A.131	锁销	PIN	2	2010-11_
12	FT300.35A.103	连接销	CONNECTING PIN	1	2010-11_
2	FT300.35A.012	牵引架焊合	TRACTION FRAME	1	2004-01_
2	FT300.35A.012a	牵引架焊合	TRACTION FRAME	1	2010-11_
3	GBT93-16-A0P	弹簧垫圈	SPRING WASHER	10	2012-02_
4	GBT6170-M16-A3L	螺母 M16-A3L	NUT	10	2010-11_
5	FT65.53.103	弹性锁销	SPRING LOCK PIN	2	2010-11_
6	FT300.35A.104	定位销	THIMBLE	2	2010-11_
7	FT300.35A.102	摆杆	UPPER PART U-HOOK	1	2010-11_
8	TB400.35.1-03	螺栓	BOLT	2	2010-11_
9	FT300.35A.105	摆销	SWING PIN	1	2010-11_



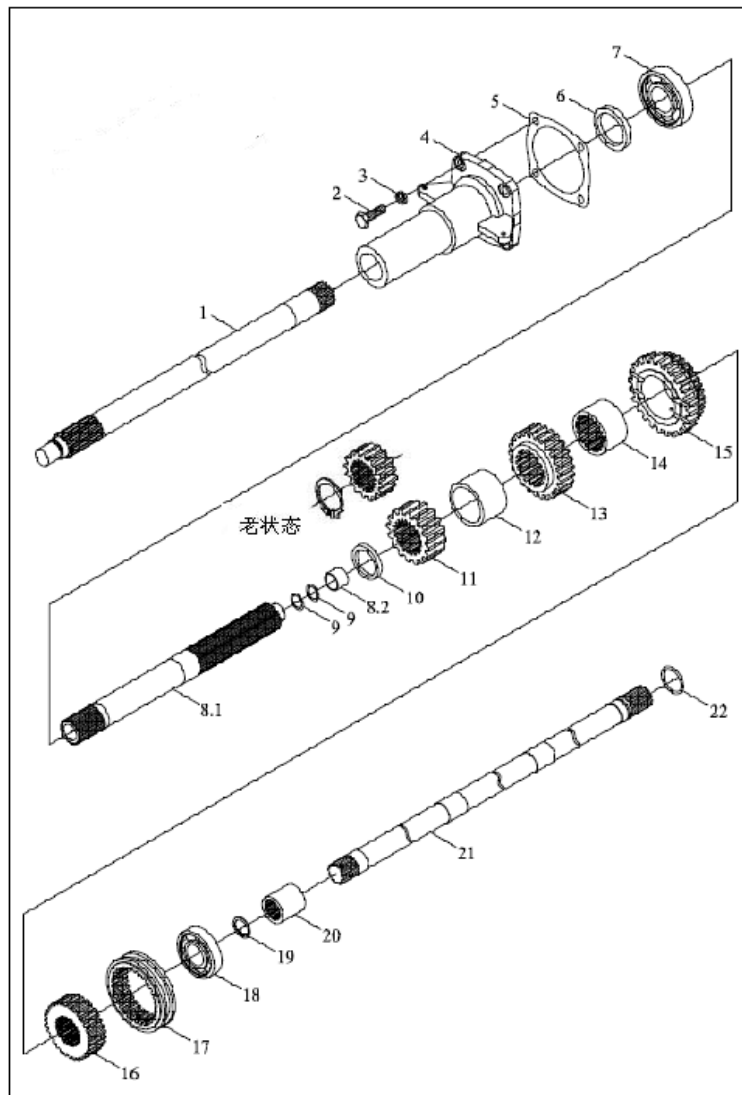
TB400.371B Transmission housing assembly



## TB400.371B 37.1-变速箱壳体总成 37.1-GEARBOX HOUSING ASSEMBLY

标号 No.	代号 Code	名称 Description		数量 Quantity	备注 Remark
1	FT300.37.101b	变速箱壳体	GEAR BOX	1	2006-12_
1	TB400.371E-01	变速箱壳体	GEAR BOX	1	2007-12_
1	FT300.37.101b	变速箱壳体	GEAR BOX	1	2006-12_
10	TB550.371-01	螺栓	BOLT	3	2006-12_
11	GBT5782-M12X110-A2L	螺栓	BOLT	1	
12	GBT119.1-12m6X22-A0P	圆柱销	PIN	1	2011-11_
13	GBT6170-M12-A3L	螺母	NUT	3	2011-11_
14	GBT5783-M12X40-A3L	螺栓	BOLT	1	
15	GBT5783-M12X35-A3L	螺栓	BOLT	4	2011-11_
15	GBT5783-M12X35-A3L	螺栓	BOLT	4	2011-11_
2	GBT6171-M12X1.5-A3L	1型六角螺母	NUT	10	
3	GBT93-12-A0P	弹簧垫圈	SPRING WASHER	24	2011-11_
4	GBT899-AM12-M12X1.5X35-8.8-A3L	双头螺柱	8.8-A3L STUD	10	2011-11_
5	FT300.37.158	踏板轴衬套	PEDAL SHAFT BUSH	2	2011-11_
6	JBT7940.1-M10X1	直通式压注油杯	STRAIGHT PRESSURE FILLING OIL CUP	2	2011-11_
7	FT300.37.159	分离叉轴衬套	RELEASE FORK SHAFT BUSH	2	2011-11_
8	GBT91-6.3X40-A0P	开口销	PIN	1	2011-11_
9	GBT119.1-12m6X30-A0P	圆柱销	PIN	3	2011-11_
9	GBT119.1-12m6X30-A0P	圆柱销	PIN	3	2011-11_

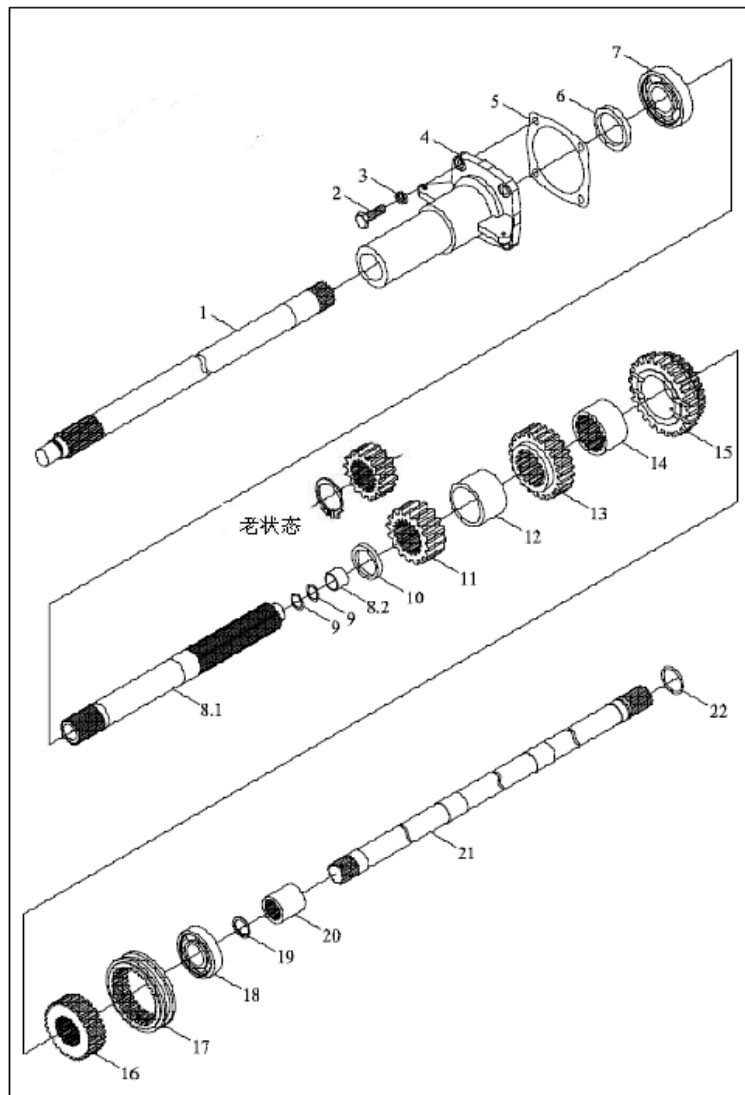
TB400.372D 主变速总成-1



## TB400.372D-1 37.2.1-主变速总成-1 MAIN TRANSMISSION ASSEMBLY-1

标号 No.	代号 Code	名称 Description		数量 Quantity	备注 Remark
1	FT400.37B.201	副离合器轴	AUXILIARY CLUTCH SHAFT	1	2011-11_
10	TB550.372-18	I 档齿轮隔套	I GEAR SPACER	1	2004-01_
10	GBT894.1	挡圈20	BLCOKING RING	1	2011-11_
11	FT300.37B.126a	I 档主动齿轮	I DRIVING GEAR	1	2008-08_
11	FT300.37B.126	I 档主动齿轮	I DRIVING GEAR	1	2004-01_
12	FT300.37B.127a	I-II 档齿轮隔套	I-II GEAR SPACER	1	2007-04_
12	TB550.372-19	I-II 档齿轮隔套	I-II GEAR SPACER	1	2008-08_
12	FT300.37B.127	I-II 档齿轮隔套	I-II GEAR SPACER	1	2004-01_
13	FT300.37.128	II 档主动齿轮	II DRIVING GEAR	1	2011-11_
14	FT300.37.130	III 档齿轮衬套	III GEAR BUSH	1	2011-11_
15	FT300.37.131a	III 档主动齿轮	III DRIVING GEAR	1	2011-11_
16	FT300.37.132	III-IV 档啮合齿座	III-IV ENGAGING GEAR SEAT	1	2011-11_
17	FT300.37.134a	III-IV 档啮合套	III-IV SHIFT COLLAR	1	2011-11_
18	GBT276-6007	轴承6007	BEARING	1	2011-11_
19	GBT893.1-21	孔用弹性挡圈	SNAP RING	1	2011-11_
2	GBT5783-M8X25-A2L	螺栓	BOLT	4	2011-11_
20	FT300.37.136	连接套	CONNECTING SLEEVE	1	2011-11_
21	FT300.37J.137	动力输出连接轴	PTO CONNECTING SHAFT	1	2011-11_
22	GBT895.2-24	轴用钢丝挡圈	SNAP RING	1	2011-11_
3	GBT93-8	垫圈8	WASHER 8	4	2011-11_
4	FT300.37B.124	I 轴轴承盖	SHAFT I BEARING COVER	1	2011-11_
5	FT300.37B.125	I 轴轴承盖纸垫	SHAFT I BEARING COVER PAPER GASKET	1	2011-11_
6	GBT9877.1-FB40X62X8D	内包骨架旋转轴唇形密封	O RING	1	2011-11_
7	GBT276-6208	深沟球轴承	BEARING	1	2011-11_
8	FT300.37B.021a	I 轴合件	SHAFT I UNIT	1	2008-08_

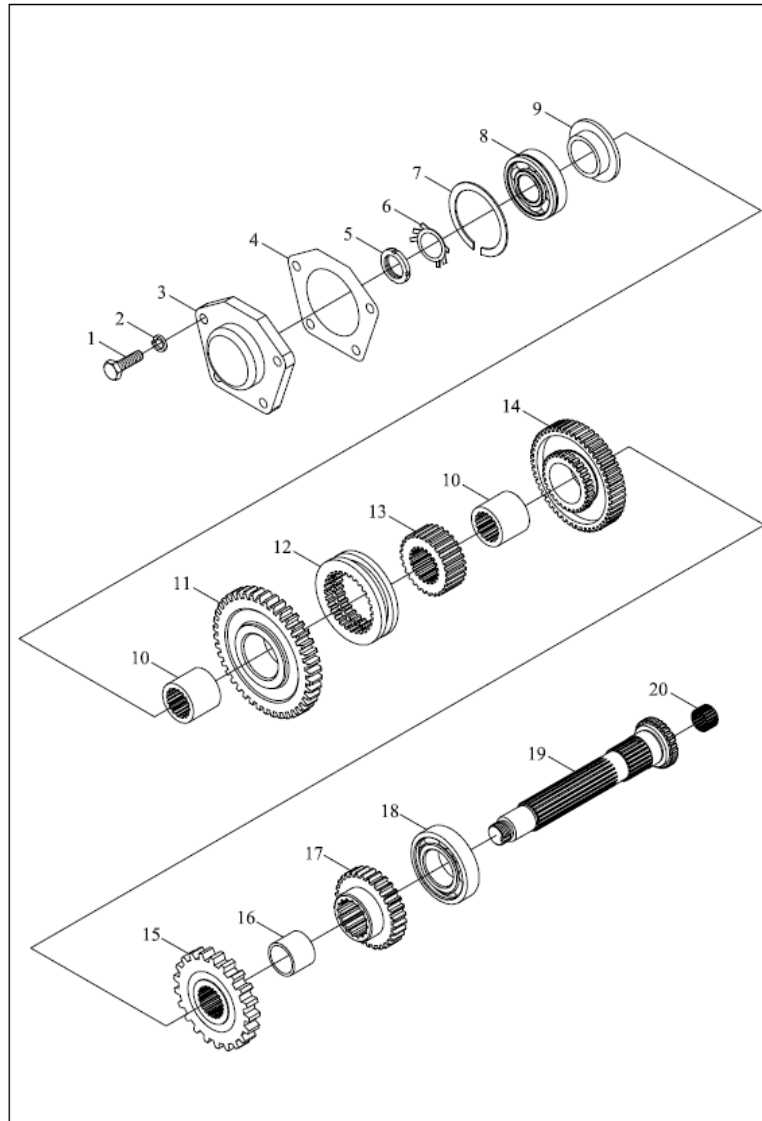
TB400.372D 主变速总成-1



## TB400.372D-1 37.2.1-主变速总成-1(续)

标号 No.	代号 Code	名称 Description		数量 Quantity	备注 Remark
8	FT300.37B.021a	I 轴合件	SHAFT I UNIT	1	2008-08_
8	FT300.37B.021	I 轴合件	SHAFT I UNIT	1	2004-01_
8.1	FT300.37B.202a	I 轴	SHAFT I	1	2008-08_
8.1	FT300.37B.202	I 轴	SHAFT I	1	2004-01_
8.2	FT300.37.170	衬套	SLEEVE	1	2011-11_
9	GBT3452.1-23.6X1.80G	液压气动用O形橡胶密封圈	O-SEAL RING	2	2011-11_

TB400.372D Main transmission assembly-2

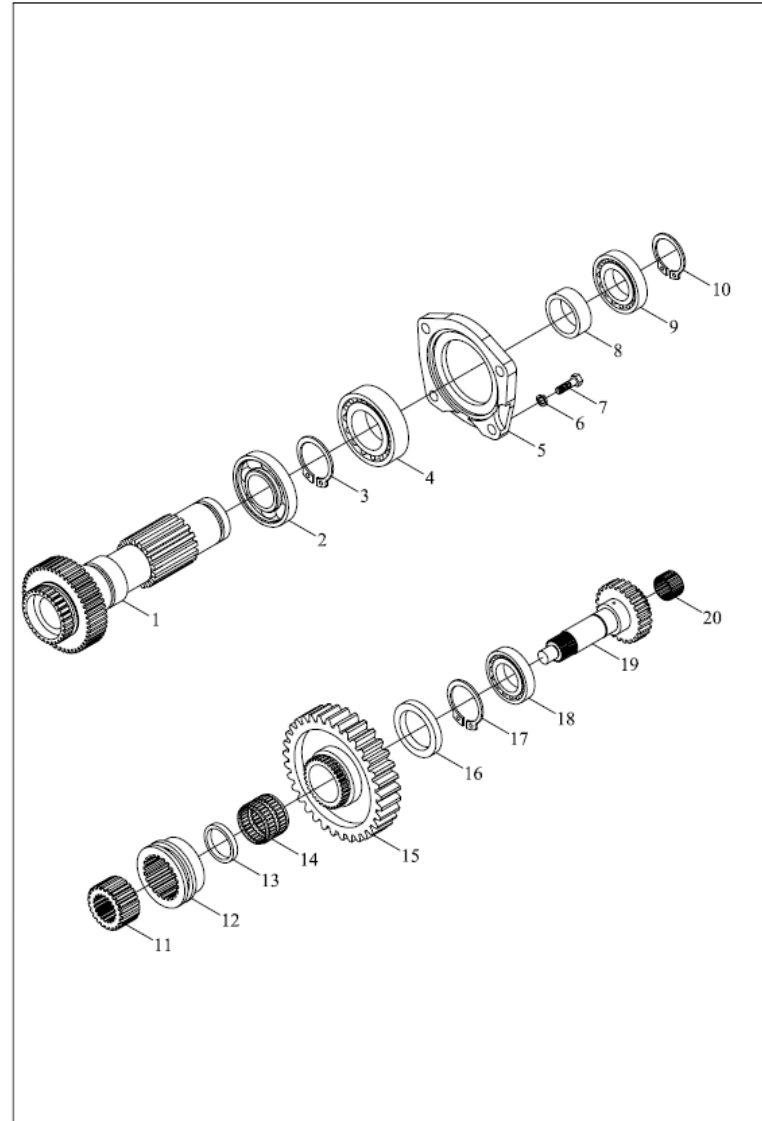


## TB400.372D-2 37.2.2-主变速总成-2 MAIN TRANSMISSION ASSEMBLY-2

标号 No.	代号 Code	名称 Description		数量 Quantity	备注 Remark
1	GBT5783-M8X25-A2L	螺栓	BOLT	4	2011-11_
10	FT300.37.114	I-II档齿轮衬套	I-II GEAR BUSH	2	2011-11_
11	FT300.37.117	I档从动齿轮	I DRIVEN GEAR	1	2004-01_
11	FT300.37.117a	I档从动齿轮	I DRIVEN GEAR	1	2011-06_
12	FT300.37.115a	I-II档啮合套	I-II SHIFT COLLAR	1	2011-06_
12	FT300.37.115	I-II档啮合套	I-II SHIFT COLLAR	1	2004-01_
13	FT300.37.116	I-II档啮合齿座	I-II ENGAGING TOOTH SEAT	1	2011-11_
14	FT300.37.113a	II档从动齿轮	II DRIVEN GEAR	1	2011-06_
14	FT300.37.113	II档从动齿轮	II DRIVEN GEAR	1	2004-01_
15	FT300.37.112	III档从动齿轮	III DRIVEN GEAR	1	2011-11_
16	FT300.37.110	III-IV档齿轮隔套	III-IV GEAR SPACER	1	2011-11_
17	FT300.37.108a	IV档从动齿轮	IV DRIVEN GEAR	1	2011-11_
18	GBT276-6208	深沟球轴承	BEARING	1	2011-11_
19	FT300.37.109a	II轴	SHAFT II	1	2011-11_
2	GBT93-8	垫圈8	WASHER 8	4	2011-11_
20	JBT7918-K20X26X20	向心滚针和保持架组件	NEEDLE AND CARRIER UNIT	1	2011-11_
3	FT300.37.120	II轴轴承盖	SHAFT II BEARING COVER	1	2011-11_
4	FT300.37.119	II轴轴承盖纸垫	SHAFT II BEARING COVER PAPER GASKET	1	2011-11_
5	GBT812-M24X1.5	圆螺母	ROUND NUT	1	2011-11_
6	GBT858-24	圆螺母用止动垫圈	THRUST RING	1	2011-11_
7	GBT305-72/78.6	止推环	PLATE;THRUST	1	2004-01_
8	GBT276-6306N	深沟球轴承	BEARING	1	2011-11_
9	FT300.37.118	II轴轴端挡圈	SHAFT II END RETAINER RING	1	2011-11_



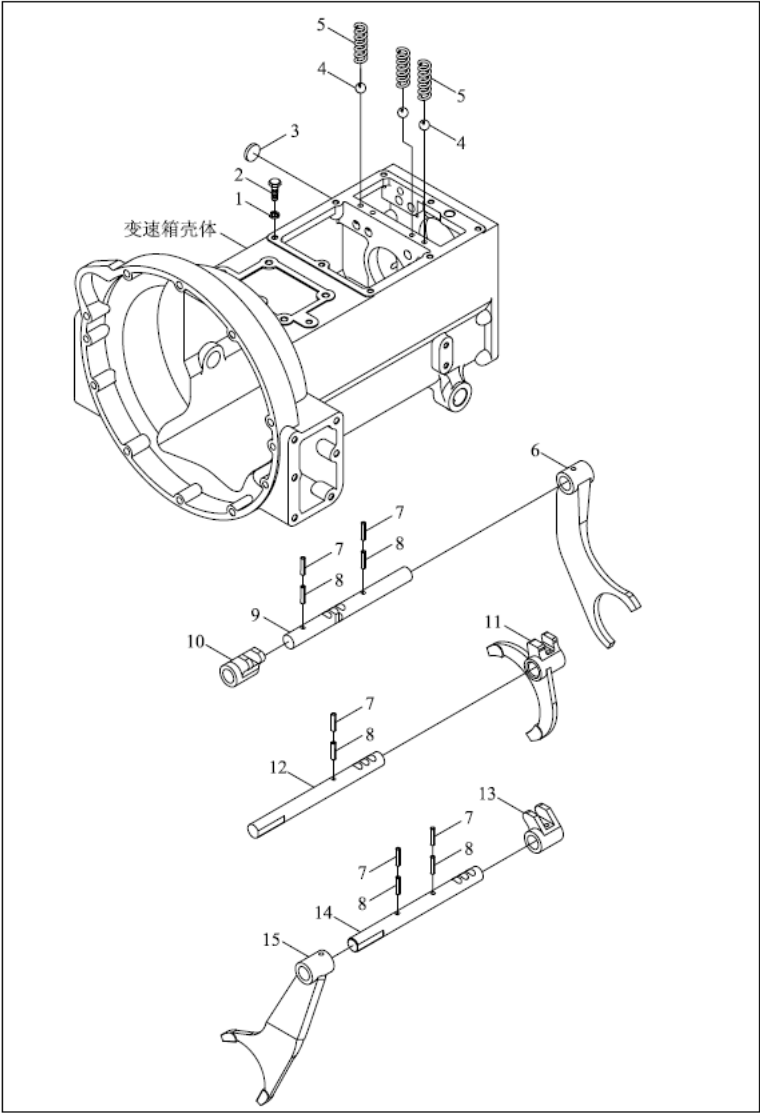
TB450.373BAuxiliary transmission assembly



## TB450.373B 37.3-副变速总成 37.3-AUXILIARY GEARSHIFT ASSEMBLY

标号 No.	代号 Code	名称 Description	数量 Quantity	备注 Remark	
1	FT300.37J.169a	副变速主动齿轮轴	AUXILIARY GEARSHIFT DRIVING GEAR SHAFT	1	2011-11_
10	GBT894.1-40	挡圈40	WASHER 40	1	2011-11_
11	FT300.37.106a	倒档齿轮啮合齿座	REVERSE GEAR MESHING SEAT	1	2011-11_
12	FT300.37J.105	副变速换挡套	AUXILIARY GEARSHIFT SLEEVE	1	2011-11_
12	FT300.37J.105	副变速换挡套	AUXILIARY GEARSHIFT SLEEVE	1	2011-11_
13	FT300.37.111	隔套	SPACER BUSH	1	2011-11_
14	QSFZB019-K35X43X34ZW	滚针轴承	NEEDLE BEARINGS	1	2011-11_
15	FT300.37.103	副变速从动齿轮	AUXILIARY GEARSHIFT DRIVEN GEAR	1	2004-01_
15	FT450.37.103	副变速从动齿轮	AUXILIARY GEARSHIFT DRIVEN GEAR	1	2007-04_
16	FT300.37J.182	限位挡圈	LIMITING RETAINER RING	1	2004-01_
16	FT300.37J.182a	限位挡圈	LIMITING RETAINER RING	1	2007-04_
17	GBT894.1-35	轴用弹性挡圈	SNAP RING	1	2011-11_
18	GBT283-NUP307E	圆柱滚子轴承	BEARING	1	2011-11_
19	TB450.37J-01	副变速从动轴	AUXILIARY GEARSHIFT DRIVEN SHAFT	1	2011-11_
2	GBT276-6210	深沟球轴承	BEARING	1	2011-11_
20	JBT7918-K25X31X20	向心滚针和保持架组件	NEEDLE AND CARRIER UNIT	1	2011-11_
3	GBT894.1-50	轴用弹性挡圈	SNAP RING	1	2011-11_
4	GBT283-NUP308E	圆柱滚子轴承	BEARING	1	2011-11_
5	FT300.37.139	副变速轴承盖	AUXILIARY GEARSHIFT BEARING COVER	1	2011-11_
6	GBT93-10-A0P	标准型弹簧垫圈	WASHER	4	2011-11_
7	GBT5783-M10X30-A2L	六角头螺栓	BOLT	4	2011-11_
8	FT300.37J.180	隔套	SPACER BUSH	1	2011-11_
9	GBT283-NF208E	圆柱滚子轴承	BEARING	1	2011-11_

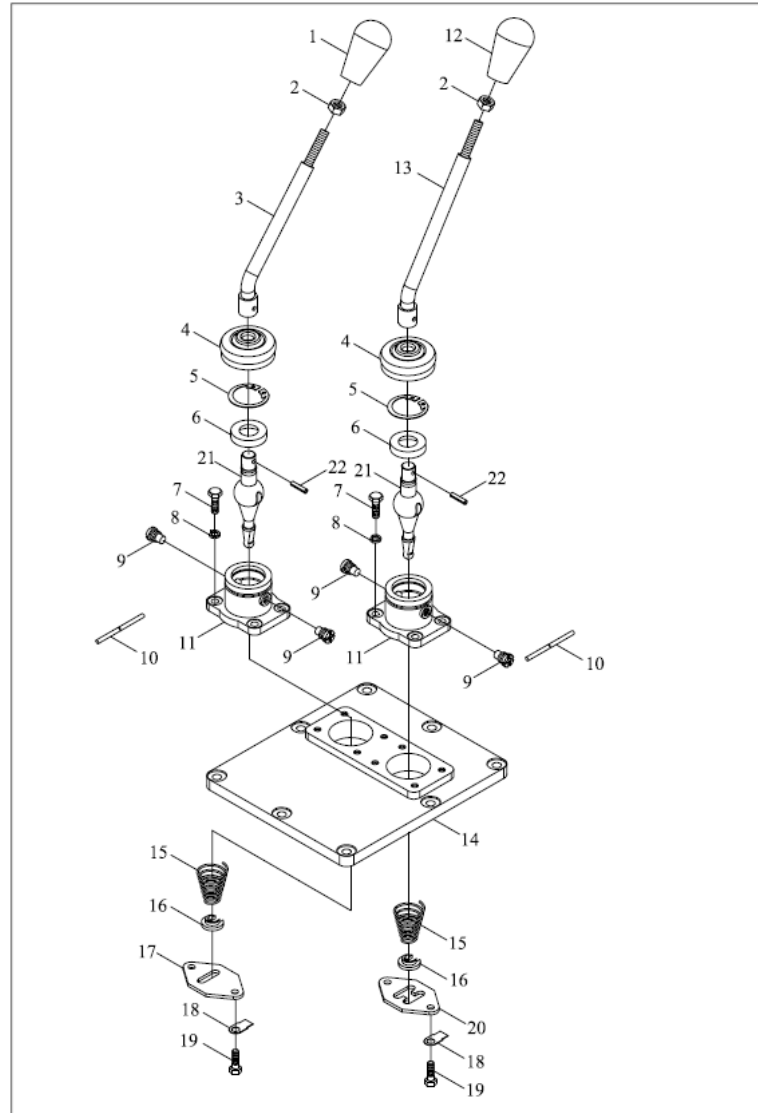
TB450.374B 变速箱操纵机构总成-1



## TB450.374B-1 37.4.1变速箱操纵机构总成-1 37.4TRANSMISSION CONTROL MECHANISM ASSEMBLY-1

标号 No.	代号 Code	名称 Description		数量 Quantity	备注 Remark
1	GBT93-10	垫圈10	WASHER 10	8	2011-11_
10	FT300.37.154	副变速拨头	AUXILIARY GEARSHIFT DIAL HEAD	1	2011-11_
11	FT300.37.147	Ⅲ-Ⅳ档拨叉	Ⅲ-Ⅳ FORK	1	2011-11_
12	FT300.37.150	Ⅲ-Ⅳ档拨叉轴	Ⅲ-Ⅳ FORK SHAFT	1	2011-11_
13	FT300.37.152	I - II 档拨头	I-II GEAR FORK HEAD	1	2011-11_
14	FT300.37.149	I - II 档拨叉轴	I-II GEAR FORK SHAFT	1	2011-11_
15	FT300.37.148	I - II 档拨叉	I-II GEAR FORK	1	2011-11_
2	GBT5783-M10X30-A3L	螺栓	BOLT	8	2011-11_
3	Q72114	塞片	PLUG PIECE	1	2011-11_
4	GBT308-8-G100-B	钢球	BALL	3	2011-11_
5	FT300.37.135	拨叉轴定位弹簧	FORK SHAFT LOCATING SPRING	3	2011-11_
6	FT300.37.145	副变速拨叉	AUXILIARY GEARSHIFT FORK	1	2011-11_
7	GBT879.1-3X24	弹性圆柱销	PIN	5	2011-11_
8	GBT879.1-5X24	弹性圆柱销	PIN	5	2011-11_
9	FT300.37.156	副变速拨叉轴	AUXILIARY GEARSHIFT FORK SHAFT	1	2011-11_

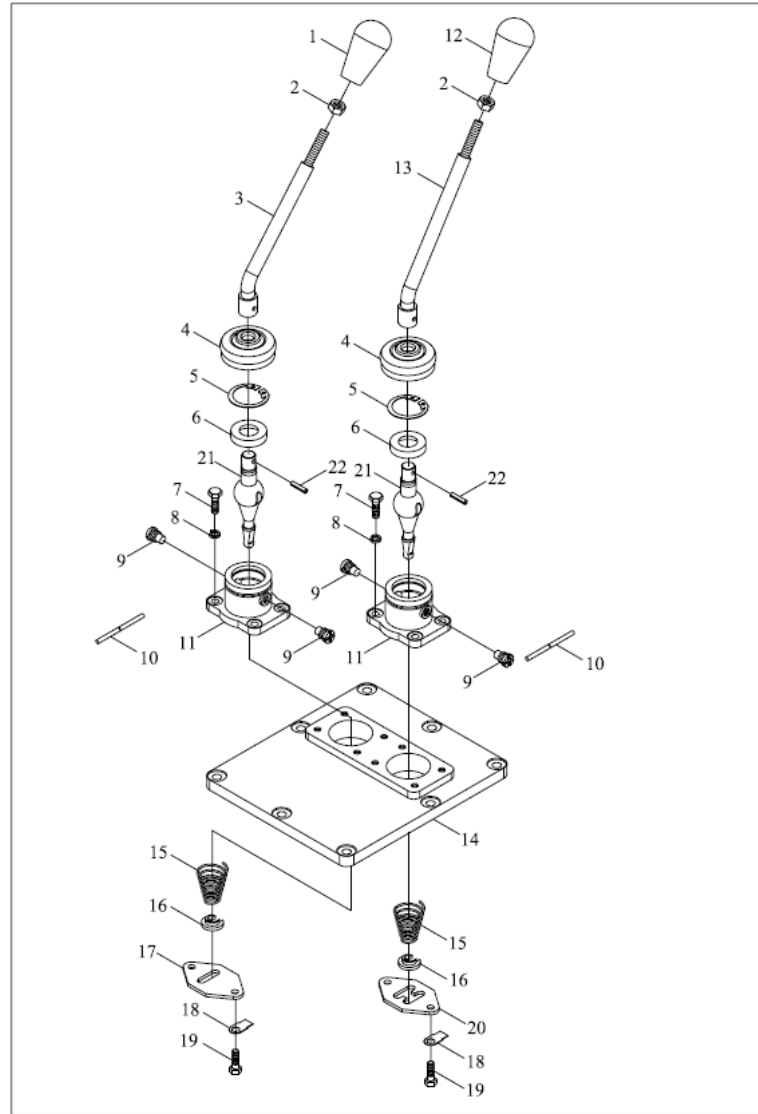
TB450.374B 变速箱操纵机构总成-2



## TB450.374B-2 37.4.2变速箱操纵机构总成-2 GEARBOX CONTROL MECHANISM ASSEMBLY-2

标号 No.	代号 Code	名称 Description	数量 Quantity	备注 Remark
0	TB450.374B.1	变速箱上盖总成	1	2011-11_
1	FT300.37J.016	副变速操纵手柄总成	1	2011-11_
10	TF1004.374-02	低碳钢丝	2	2011-11_
11	FT300.37.180	变速杆支座	2	2011-11_
12	FT300.37.015	主变速操纵手柄总成	1	2011-11_
13	TB450.374B.1.1	主变速杆焊合	1	2011-11_
14	FT300.37.163a	变速箱上盖	1	2011-11_
15	FT300.37.165	变速杆弹簧	2	2011-11_
15	FT300.37.165	变速杆弹簧	2	2011-11_
16	FT300.37.164	变速杆弹簧挡圈	2	2011-11_
17	FT300.37J.161	副变速导板	1	2011-11_
18	GBT854-8	单耳制动垫圈	4	2011-11_
19	GBT5783-M8X16-A2L	螺栓	4	2011-11_
2	GBT6172.1-M10-A2L	螺母	2	2011-11_
20	FT300.37.162	主变速导板	1	2011-11_
21	TB450.374B.1-01	下操纵杆	2	2011-11_
22	GBT879.1-6X28	弹性圆柱销	2	2011-11_
22	GBT879.1-6X28	弹性圆柱销	2	2011-11_
3	TB450.374B.1.2	副变速杆焊合	1	2011-11_
3	TB450.374B.1.2	副变速杆焊合	1	2011-11_
4	FT300.37.166a	变速杆防尘罩	2	2009-12_
4	TB450.374B-01	变速杆防尘罩	2	2012-01_
5	GBT893.1-40	挡圈	2	2011-11_
6	FT800A.37.305	尼龙座	2	2011-11_
7	GBT5781-M8X20-A2L	六角头螺栓	8	2011-11_

TB450.374B 变速箱操纵机构总成-2

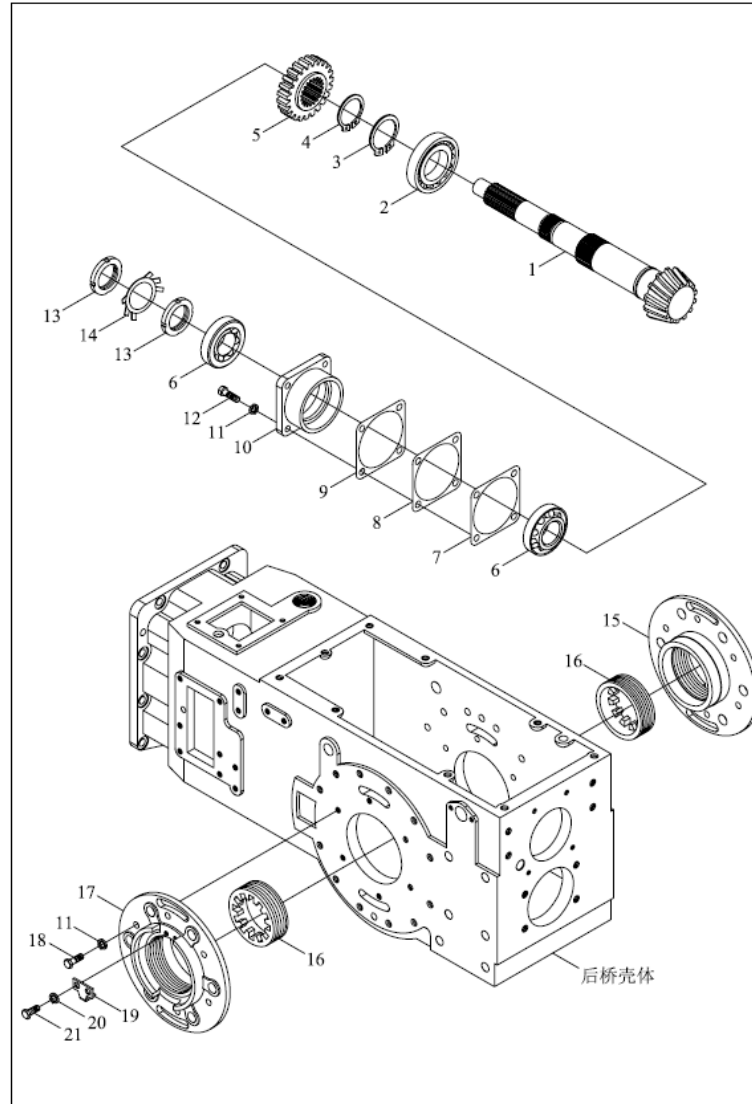


## TB450.374B-2 37.4.2变速箱操纵机构总成-2(续)

标号 No.	代号 Code	名称 Description		数量 Quantity	备注 Remark
7	GBT5781-M8X20-A2L	六角头螺栓	BOLT	8	2011-11_
8	GBT93-8-A0P	垫圈	WASHER	8	2011-11_
9	FT800A.37.326	变速杆定位销	GEARLEVER LOCATING PIN	4	2011-11_



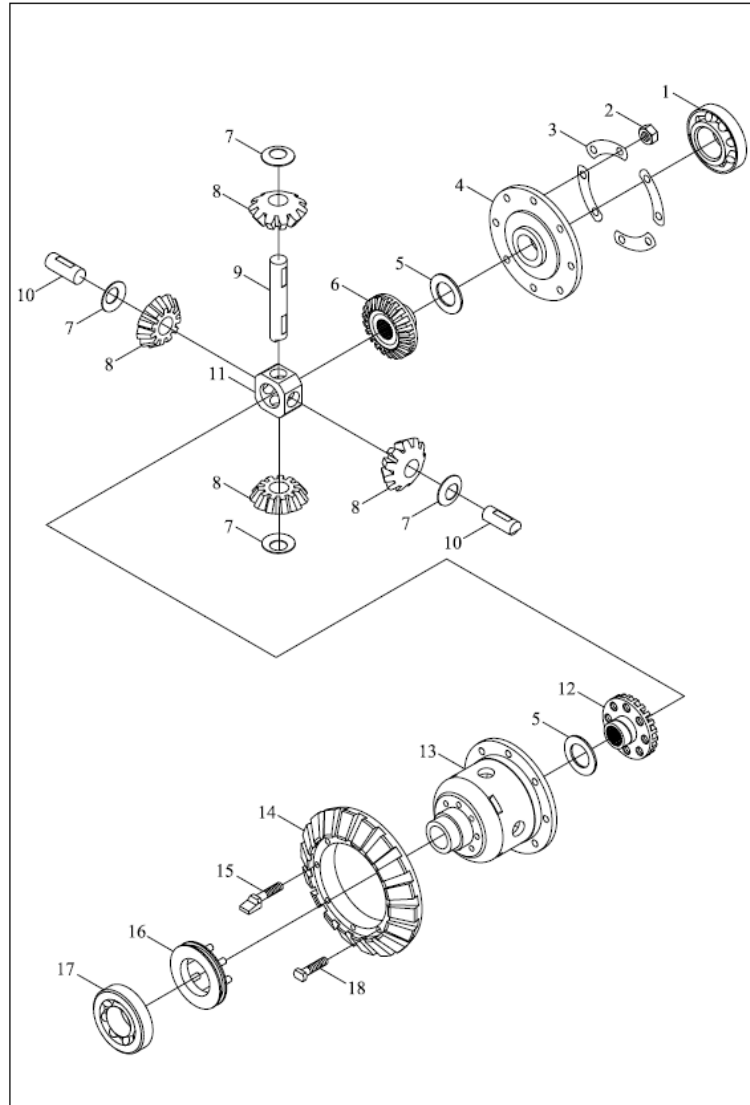
TB504.382 后桥中央传动总成-1



TB504.382-1 38.2.1-后桥中央传动总成-1 REAR AXLE CENTRAL TRANSMISSION ASSEMBLY-1

标号 No.	代号 Code	名称 Description		数量 Quantity	备注 Remark
1	TB450.38J-05	小圆锥齿轮轴	SMALL TAPER GEAR SHAFT	1	2011-11_
10	FT300.38.117	轴承座	BEARING SEAT	1	2011-11_
11	GBT93-10-A0P	标准型弹簧垫圈	WASHER	16	2011-11_
12	GBT5783-10X30-A3L	六角头螺栓	BOLT	4	2011-11_
13	GBT812-M39X1.5	圆螺母	ROUND NUT	2	2011-11_
14	GBT858-39	圆螺母用止动垫圈	THRUST RING	1	
15	FT300.38.177	右差速器轴承座	RIGHT DIFFERENTIAL BEARING SEAT	1	2011-11_
16	FT300.38.151	调整螺母	ADJUSTING NUT	2	2011-11_
17	FT300.38.142	左差速器轴承座	LEFT DIFFERENTIAL BEARING SEAT	1	2011-11_
18	GBT5783-10X25-A3L	六角头螺栓	BOLT	12	2011-11_
19	FT300.38.161	锁片	LOCK SHIM	2	2011-11_
2	GBT283-NUP2210E	圆柱滚子轴承	BEARING	1	2011-11_
20	GBT93-8-A0P	垫圈	WASHER	4	2011-11_
21	TB554.382-01	螺栓	BOLT	4	
3	GBT894.1-50	轴用弹性挡圈	SNAP RING	1	2011-11_
4	GBT894.1-48	挡圈	RETAINER RING	1	2011-11_
5	FT404.38G.116	前驱动输出齿轮	FRONT DRIVE OUTPUT GEAR	1	2011-11_
6	GBT297-32208	圆锥滚子轴承	BEARING	2	2011-11_
7	FT300.38.118	锥齿轮轴调整垫片	TAPER GEAR SHAFT ADJUSTING GASKET	999	2011-11_
8	FT300.38.119	锥齿轮轴调整垫片	TAPER GEAR SHAFT ADJUSTING GASKET	999	2011-11_
9	FT300.38.120	锥齿轮轴调整垫片	TAPER GEAR SHAFT ADJUSTING GASKET	999	2011-11_

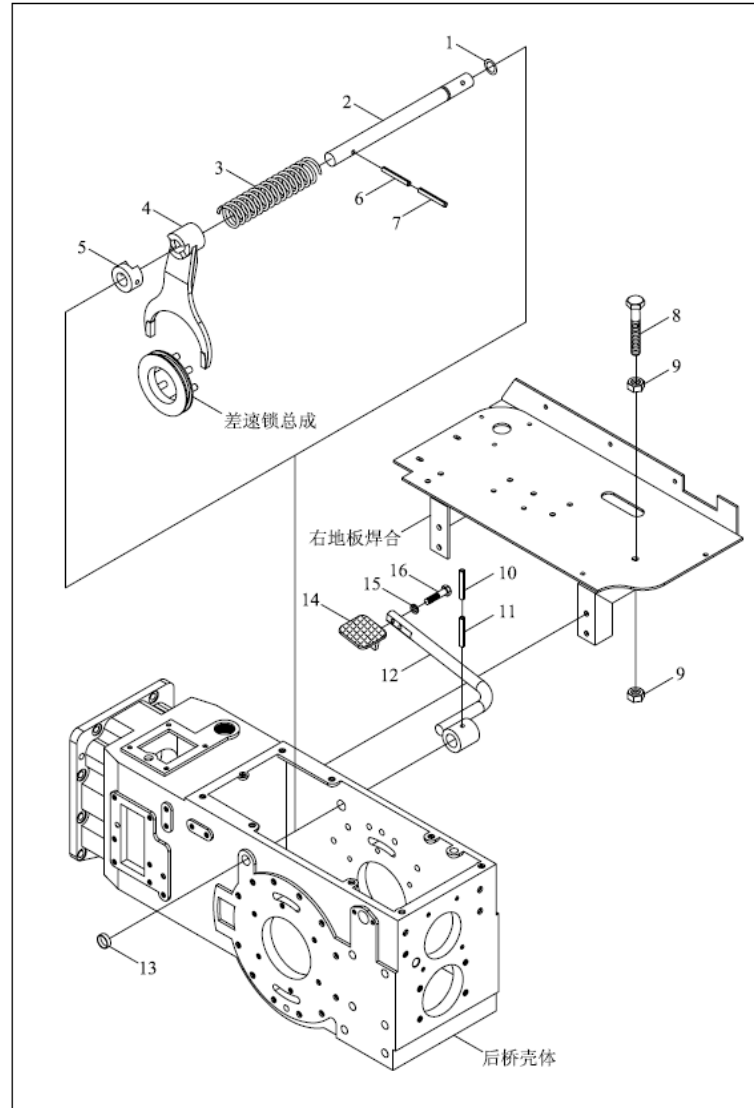
TB504.382 后桥中央传动总成-2



## TB504.382-2 38.2.2-后桥中央传动总成-2 REAR AXLE CENTRAL TRANSMISSION ASSEMBLY-2

标号 No.	代号 Code	名称 Description		数量 Quantity	备注 Remark
0	FT300.38.012	差速器总成	DIFFERENTIAL ASSEMBLY	1	2011-11_
1	GBT297-32013	圆锥滚子轴承	BEARING	1	2011-11_
10	FT300.38.183	短行星齿轮轴	SHORT PLANETARY GEAR SHAFT	2	2011-11_
11	FT300.38.184	中心环	CENTRAL RING	1	2011-11_
12	FT300.38.143	左半轴齿轮	LEFT HALF SHAFT GEAR	1	2011-11_
13	FT300.38.180	差速器壳体	DIFFERENTIAL HOUSING	1	2011-11_
14	FT300.38.141	大圆锥齿轮	BIG TAPER GEAR	1	2011-11_
15	FT300.38.185	行星齿轮轴止推螺栓	PLANET GEAR SHAFT THRUST BOLT	4	2011-11_
16	FT300.38.019	差速锁总成	DIFFERENTIAL LOCK ASSEMBLY	1	2011-11_
16	FT300.38.019	差速锁总成	DIFFERENTIAL LOCK ASSEMBLY	1	2011-11_
17	GBT297-30211	圆锥滚子轴承	BEARING	1	2011-11_
18	FT300.38.186	大锥齿轮固定螺栓	FIXING BOLT	4	2011-11_
2	GBT6170-M12-A3L	螺母	NUT	8	2011-11_
3	FT300.38.152	锁紧垫片	LOCKING WASHER	4	2011-11_
4	FT300.38.181	差速器盖	DIFFERENTIAL HOUSING	1	2011-11_
4	FT300.38.181	差速器盖	DIFFERENTIAL HOUSING	1	2011-11_
5	FT300.38.147	半轴齿轮垫片	HALF SHAFT GEAR WASHER	2	2011-11_
6	FT300.38.144	右半轴齿轮	RIGHT HALF SHAFT GEAR	1	2011-11_
7	FT300.38.148	行星齿轮垫片	PLANET GEAR WASHER	4	2011-11_
8	FT300.38.145	行星齿轮	PLANETARY GEAR	4	2011-11_
8	FT300.38.145	行星齿轮	PLANETARY GEAR	4	2011-11_
9	FT300.38.182	长行星齿轮轴	LONG PLANETARY GEAR SHAFT	1	2011-11_

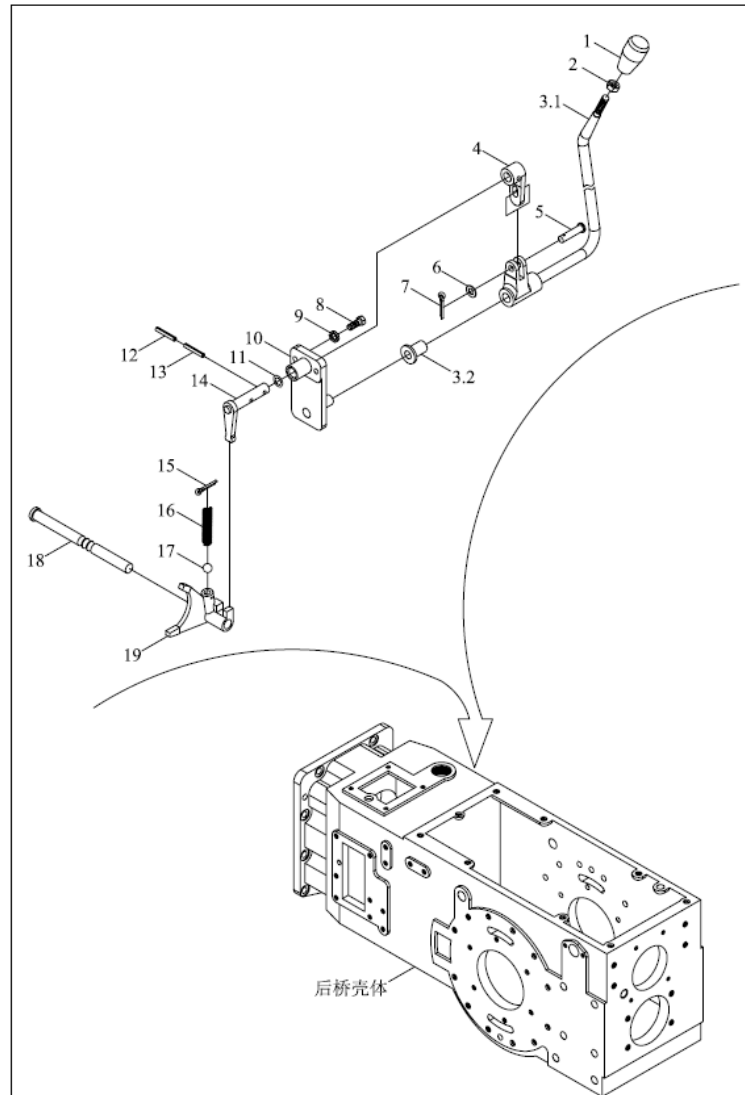
TB554.383A 差速器操纵机构总成



TB554.383A 38.3-差速锁操纵机构总成 38.3-DIFFERENTIAL LOCK CONTROL MECHANISM ASSEMBLY

标号 No.	代号 Code	名称 Description		数量 Quantity	备注 Remark
1	GBT3452.1-15.0X2.65G	液压气动用O形橡胶密封圈	O-SEAL RING	1	2011-11_
10	GBT879.1-6X35	弹性圆柱销	PIN	1	2011-11_
11	GBT879.2-3.5X35	弹性圆柱销	PIN	1	2011-11_
12	TB554.383A.2	差速锁踏杆焊合件	DIFFERENTIAL LOCK PEDAL LEVER WELDMENT	1	2004-01_
13	Q72220	碗形塞片	PLUG PIECE	1	2011-11_
14	TB554.383A.1	差速锁踏板焊合件	DIFFERENTIAL LOCK PEDAL WELDMENT	1	2004-01_
14	TB554.383A.4	差速锁上踏杆焊合件	DIFFERENTIAL LOCK PEDAL LEVER WELDMENT	1	2010-03_
15	GBT93-6-A0P	弹簧垫圈	SPRING WASHER	2	2011-11_
16	GBT5783-M6X25-8.8-A2L	六角头螺栓	BOLT	2	2011-11_
2	FT300.38.158a	差速锁拨叉轴	DIFFERENTIAL LOCK FORK SHAFT	1	2011-11_
3	FT300.38.160	差速锁回位弹簧	DIFFERENTIAL LOCK RETURN SPRING	1	2011-11_
4	FT300.38.159a	差速锁拨叉	DIFFERENTIAL LOCK FORK	1	2011-11_
5	FT300.38.190	差速锁拨块	DIFFERENTIAL LOCK DIAL BLOCK	1	2011-11_
6	GBT879.1-6X40	弹簧圆柱销	SPRING COLUMN PIN	1	2011-11_
7	GBT879.2-3.5X40	弹性圆柱销	PIN	1	2011-11_
8	GBT5781-M8X45-A2L	六角头螺栓	BOLT	1	2011-11_
9	GBT6170-M8-A2L	螺母	NUT	2	2011-11_
	TB554.383A.3	差速锁下踏杆焊合件	DIFFERENTIAL LOCK DOWN PEDAL WELDMENT	1	2010-03_

TB554.385 梭式换档机构总成

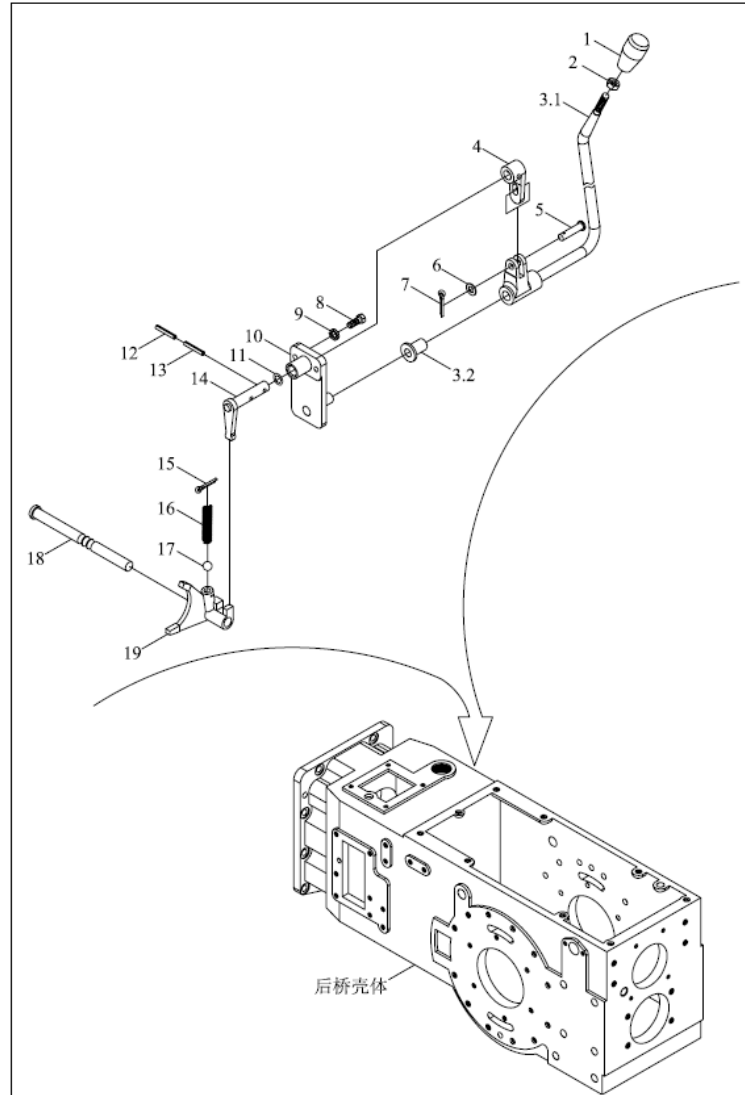


## TB554.385 38.5-梭式换档机构总成 38.5-SHUTTLE SHIFT MECHANISM ASSEMBLY

标号 No.	代号 Code	名称 Description		数量 Quantity	备注 Remark
1	FT300.41.015	动力输出操纵手柄总成	PTO CONTROL HANDLE ASSEMBLY	1	2011-11_
10	TB554.385.3a	拨杆轴套焊合	LEVER BUSH WELDMENT	1	2010-01_
10	TB554.385.3	拨杆轴套焊合	LEVER BUSH WELDMENT	1	2011-11_
11	GBT3452.1-16.0X2.65G	液压气动用O形橡胶密封圈	O-SEAL RING	1	2011-11_
12	GBT879.1-6X28	弹性圆柱销	PIN	1	2011-11_
12	GBT879.1-6X28	弹性圆柱销	PIN	1	2011-11_
13	GBT879.2-3.5X28	弹性圆柱销	PIN	1	2011-11_
14	TB554.385.2	指形拨杆焊合件	FINGER LEVER WELDMENT	1	2008-09_
14	FT300.38J.023c	指形拨杆焊合件	FINGER LEVER WELDMENT	1	2007-10_
15	GBT91-4X32-A0P	开口销	PIN	1	2011-11_
16	FT704.42B.163	拨叉轴定位弹簧	FORK SHAFT LOCATING SPRING	1	2011-11_
17	GBT308-9.5-G100-b	钢球	BALL	1	2011-11_
18	FT300.38J.203	倒档拨叉轴	REVERSE FORK SHAFT	1	2011-11_
19	FT300.38J.218	倒挡拨叉	REVERSE GEAR FORK	1	2011-11_
2	GBT6170-M10-A3L	螺母	NUT	1	2011-11_
3	TB554.385.1a	倒档操纵杆压合	REVERSE CONTROL LEVER PRESSURE UNIT	1	2010-01_
3	TB554.385.1	倒档操纵杆压合	REVERSE CONTROL LEVER PRESSURE UNIT	1	2004-01_
3.1	FT300.38J.022b	倒档操纵杆焊合	REVERSE CONTROL LEVER WELDMENT	1	2008-07_
3.1	FT300.38J.022b	倒档操纵杆焊合	REVERSE CONTROL LEVER WELDMENT	1	2008-07_
3.1	FT300.38J.022c	倒档操纵杆总成	REVERSE CONTROL LEVER ASSEMBLY	1	2010-01_
3.1	FT300.38J.022a	倒档操纵杆总成	REVERSE CONTROL LEVER ASSEMBLY	1	2004-01_
3.2	TB504.385.1-01	衬套	SLEEVE	1	2011-11_
4	FT300.38J.231b	摇臂	ROCKER	1	2007-10_
4	FT300.38J.231a	摇臂	ROCKER	1	
4	FT300.38J.216	摇臂	ROCKER	1	2010-08_



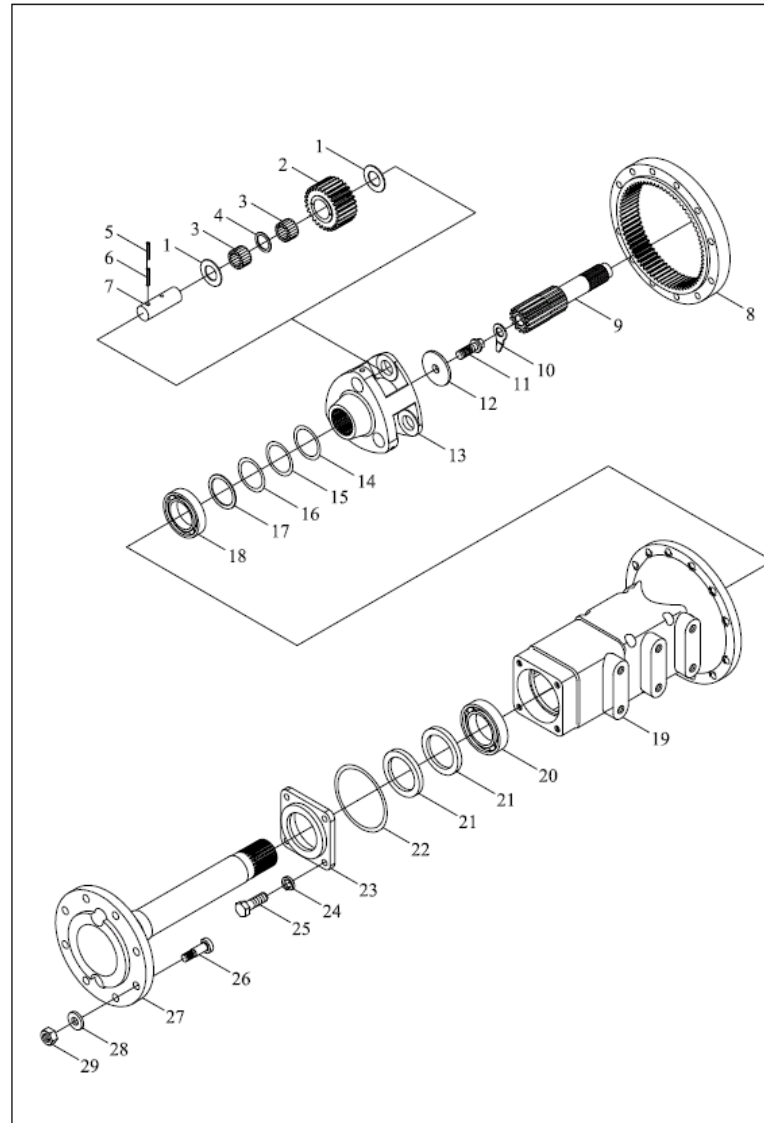
TB554.385 梭式换档机构总成



## TB554.385 38.5-梭式换档机构总成(续)

标号 No.	代号 Code	名称 Description		数量 Quantity	备注 Remark
4	FT300.38J.231b	摇臂	ROCKER	1	2007-10_
5	GBT882-B10X30-A0P	销轴	PIN	1	2011-11_
6	GBT848-10-A0P	小垫圈	WASHER	1	2011-11_
7	GBT91-3.2X40-A0P	开口销	PIN	1	2011-11_
8	TB400.385-09	螺栓	BOLT	2	2011-11_
9	GBT93-10-A0P	标准型弹簧垫圈	WASHER	2	2011-11_

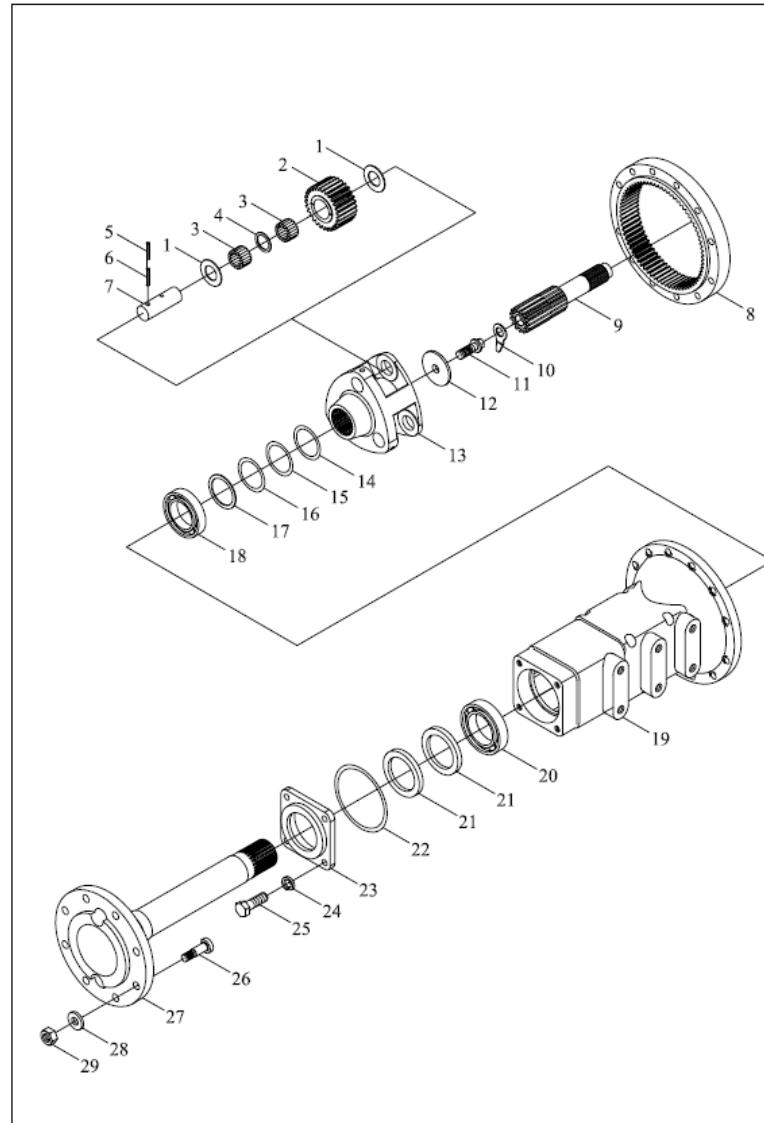
FT300.39.001 Final transmission assembly--1



FT300.39.001-1 39.1-最终传动总成-1 39FINAL TRANSMISSION ASSEMBLY -1

标号 No.	代号 Code	名称 Description		数量 Quantity	备注 Remark
1	FT300.39.109	滚针外隔圈	NEEDLE OUTER SPACER RING	6	2011-11_
10	FT300.39.110	驱动轴锁片	DRIVING SHAFT LOCK PIECE	1	2011-11_
11	FT300.39.112	驱动轴锁紧螺栓	DRIVING SHAFT LOCK BOLT	1	2011-11_
12	FT300.39.111	挡块	RETAINER BLOCK	1	2011-11_
13	FT300.39.104	行星架	PLANET CARRIER	1	2011-11_
14	FT300.39.123	调整垫片	ADJUSTING WASHER	999	2011-11_
15	FT300.39.122	调整垫片	ADJUSTING WASHER	999	2011-11_
16	FT300.39.121	调整垫片	ADJUSTING WASHER	999	2011-11_
16	FT300.39.121	调整垫片	ADJUSTING WASHER	999	2011-11_
17	FT300.39.113	隔套	SPACER BUSH	1	2011-11_
18	GBT276-6211	深沟球轴承	BEARING	1	2011-11_
19	FT300.39.115	左驱动轴壳体	LEFT DRIVING SHAFT HOUSING	1	2011-11_
2	FT300.39.103	行星轮	PLANET GEAR	3	2011-11_
20	GBT276-6212	球轴承	BALL BEARING	1	2011-11_
21	GBT9877.1-FB70X95X10D	内包骨架旋转轴唇形密封	O RING	2	2011-11_
22	GBT3452.1-115X3.55G	液压气动用O形橡胶密封圈	O-SEAL RING	1	2004-01_
23	FT300.39.116	油封座	OIL SEAL CAGE	1	2011-11_
24	GBT93-12-AOP	垫圈	WASHER	4	2011-11_
25	GBT5783-M12X30-8.8-A3L	六角头螺栓	BOLT	4	
26	FT300.39.136	后轮毂螺栓（左）	REAR HUB BOLT (LEFT)	8	2011-11_
27	FT300.39.118	驱动轴	DRIVING SHAFT	1	2011-11_
28	FT300.39.137	垫圈	WASHER	8	2011-11_
29	GBT6176-M16X1.5-LH-10-A3L	2型六角螺母	HEXAGON NUT, TYPE-2	8	2004-01_
3	GBT309-P5X23.8-G2	滚针	NEEDLE	132	2011-11_
4	FT300.39.105	滚针内隔圈	NEEDLE INNER SPACER RING	3	2011-11_

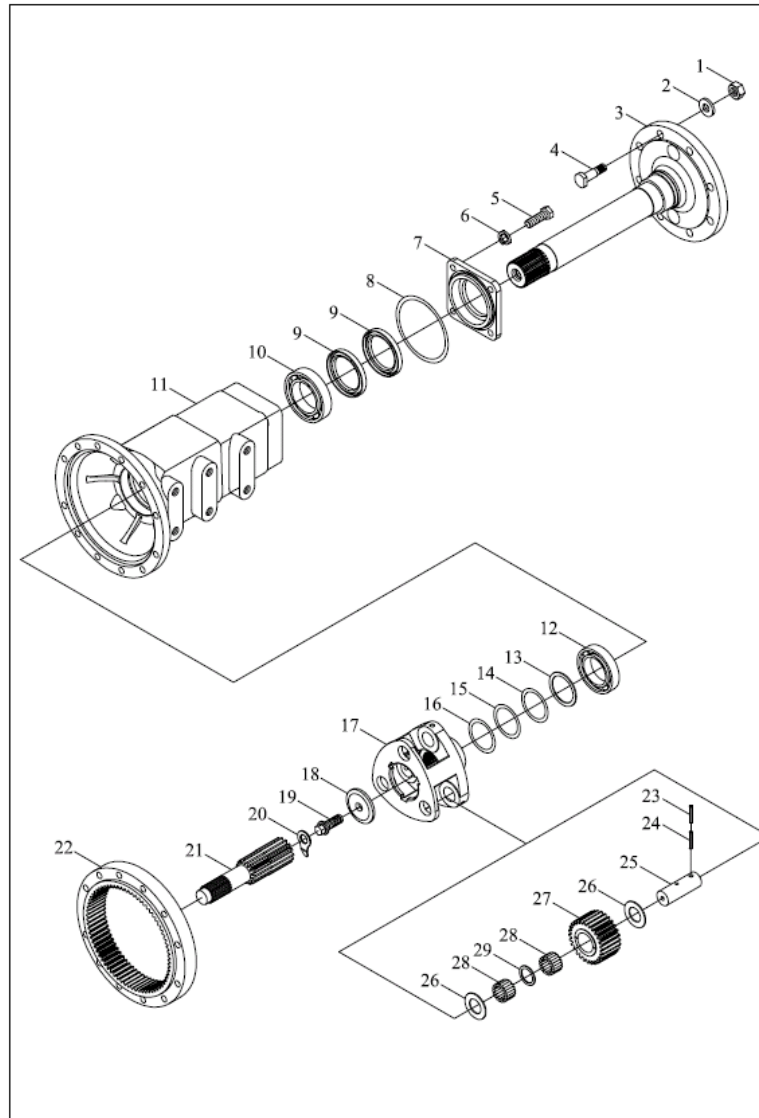
FT300.39.001 Final transmission assembly--1



FT300.39.001-1 39.1-最终传动总成-1(续)

标号 No.	代号 Code	名称 Description		数量 Quantity	备注 Remark
5	GBT879.1-5X24	弹性圆柱销	PIN	3	2011-11_
6	GBT879.1-8X24	弹性圆柱销	PIN	3	2011-11_
7	FT300.39.106	行星轮轴	PLANET GEAR SHAFT	3	2011-11_
8	FT300.39.107	齿圈	GEAR RING	1	2011-11_
9	FT300.39.101	左半轴	LEFT HALF SHAFT	1	2011-11_

FT300.39.001 Final transmission assembly- -2

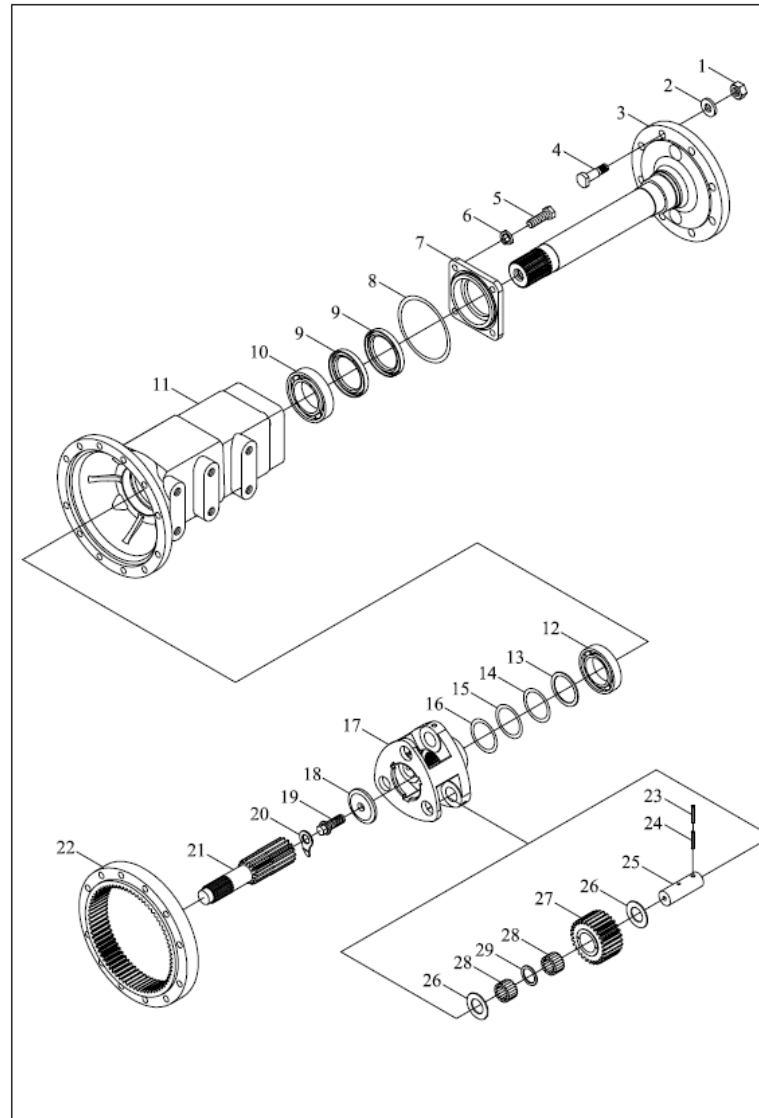


FT300.39.001-2 39.2-最终传动总成-2 39FINAL TRANSMISSION ASSEMBLY -2

标号 No.	代号 Code	名称 Description		数量 Quantity	备注 Remark
1	GBT6176-M16X1.5-LH-10-A3L	2型六角螺母	HEXAGON NUT, TYPE-2	8	2011-11_
10	GBT276-6212	球轴承	BALL BEARING	1	2011-11_
11	FT300.39.114	右驱动轴壳体	RIGHT DRIVING SHAFT HOUSING	1	2011-11_
12	GBT276-6211	深沟球轴承	BEARING	1	2011-11_
13	FT300.39.113	隔套	SPACER BUSH	1	2011-11_
14	FT300.39.121	调整垫片	ADJUSTING WASHER	9999	2011-11_
14	FT300.39.121	调整垫片	ADJUSTING WASHER	9999	2011-11_
15	FT300.39.122	调整垫片	ADJUSTING WASHER	9999	2011-11_
16	FT300.39.123	调整垫片	ADJUSTING WASHER	9999	2011-11_
17	FT300.39.104	行星架	PLANET CARRIER	1	2011-11_
18	FT300.39.111	挡块	RETAINER BLOCK	1	2011-11_
19	FT300.39.112	驱动轴锁紧螺栓	DRIVING SHAFT LOCK BOLT	1	2011-11_
2	FT300.39.137	垫圈	WASHER	8	2011-11_
20	FT300.39.110	驱动轴锁片	DRIVING SHAFT LOCK PIECE	1	2011-11_
21	FT300.39.102	右半轴	RIGHT HALF SHAFT	1	2011-11_
21	FT300.39.102	右半轴	RIGHT HALF SHAFT	1	2011-11_
22	FT300.39.107	齿圈	GEAR RING	1	2011-11_
23	GBT879.1-5X24	弹性圆柱销	PIN	3	2011-11_
24	GBT879.1-8X24	弹性圆柱销	PIN	3	2011-11_
25	FT300.39.106	行星轮轴	PLANET GEAR SHAFT	3	2011-11_
26	FT300.39.109	滚针外隔圈	NEEDLE OUTER SPACER RING	6	2011-11_
27	FT300.39.103	行星轮	PLANET GEAR	3	2011-11_
28	GBT309-P5X23.8-G2	滚针	NEEDLE	132	2011-11_
29	FT300.39.105	滚针内隔圈	NEEDLE INNER SPACER RING	3	2011-11_
3	FT300.39.118	驱动轴	DRIVING SHAFT	1	2011-11_

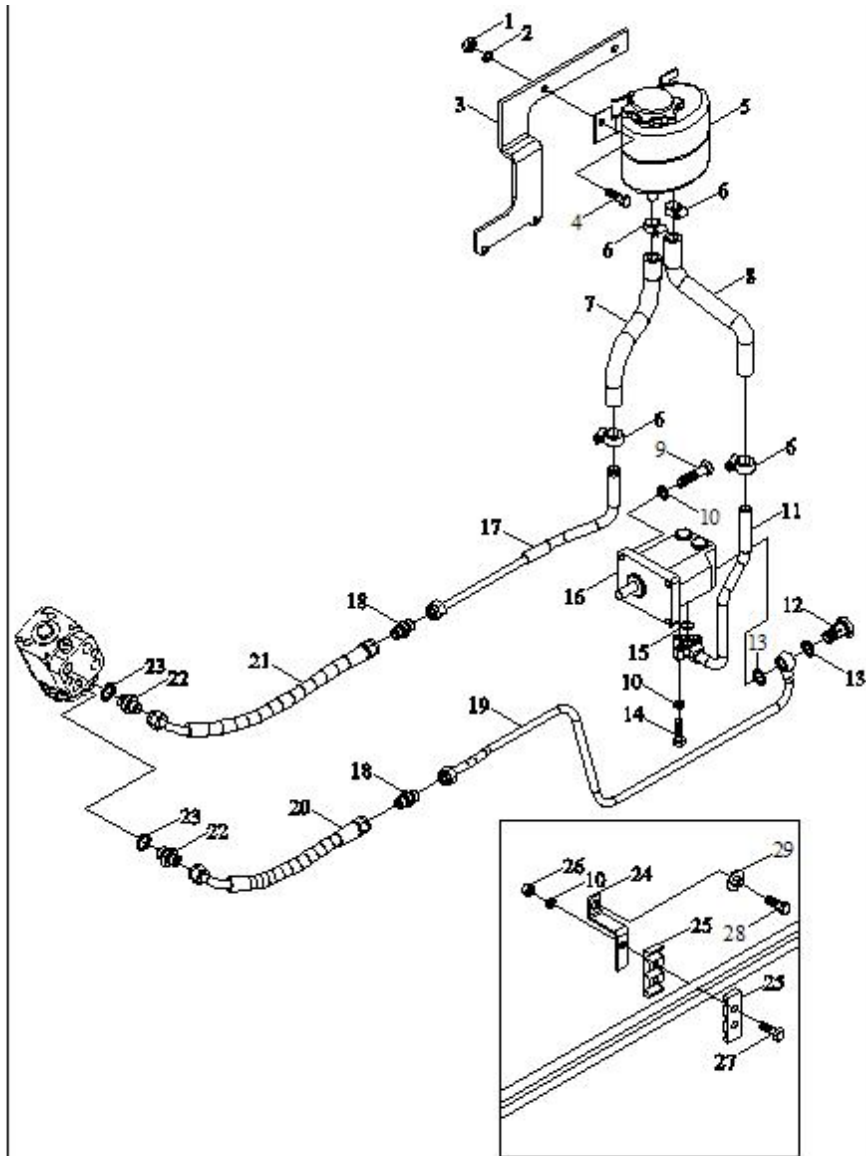


FT300.39.001 Final transmission assembly- -2



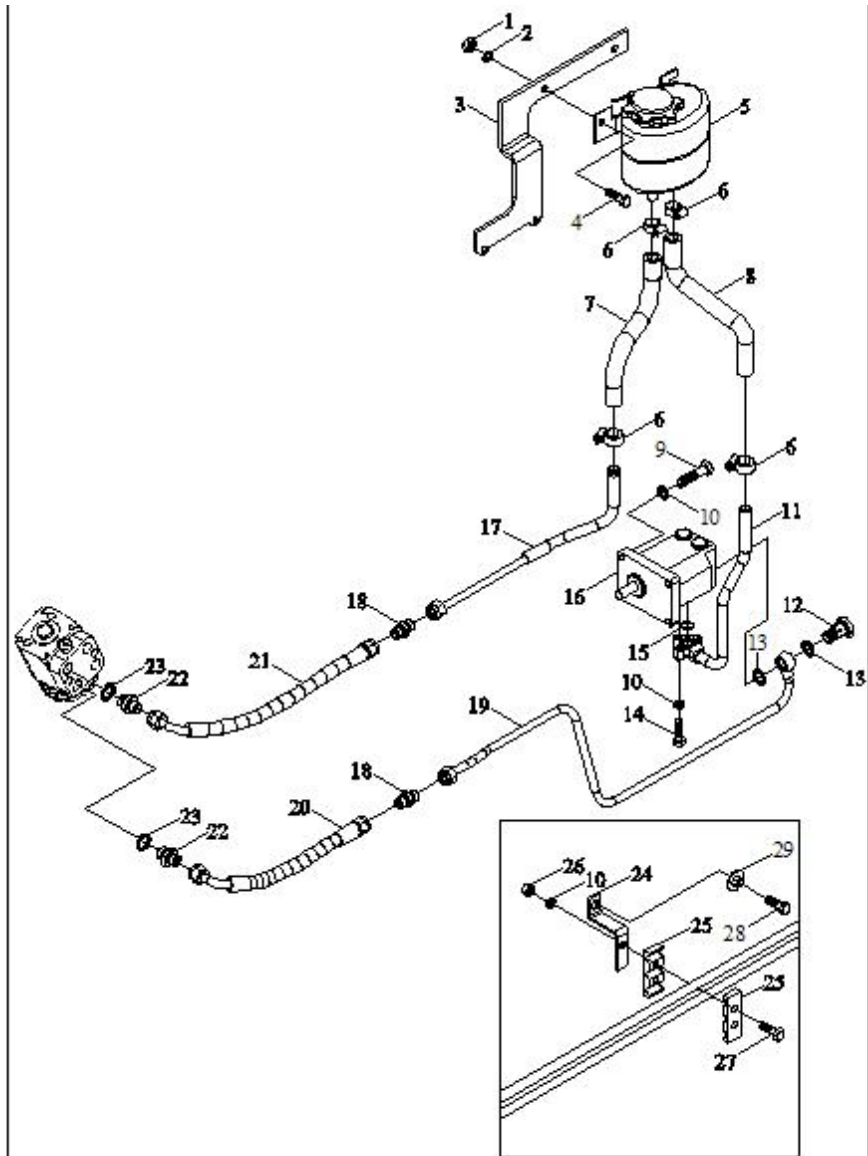
FT300.39.001-2 39.2-最终传动总成-2(续)

标号 No.	代号 Code	名称 Description		数量 Quantity	备注 Remark
4	FT300.39.135	后轮毂螺栓	REAR HUB BOLT	8	2011-11_
5	GBT5783-M12X30-8.8-A3L	六角头螺栓	BOLT	4	2011-11_
6	GBT93-12-AOP	垫圈	WASHER	4	2011-11_
7	FT300.39.116	油封座	OIL SEAL CAGE	1	2011-11_
8	GBT3452.1-115X3.55G	液压气动用O形橡胶密封圈	O-SEAL RING	1	2011-11_
9	GBT9877.1-FB70X95X10D	内包骨架旋转轴唇形密封	O RING	2	2011-11_



## TB504.402B-1 40.1-全液压转向管路总成-1 FULL HYDRAULIC STEERING PIPE ASSEMBLY-1

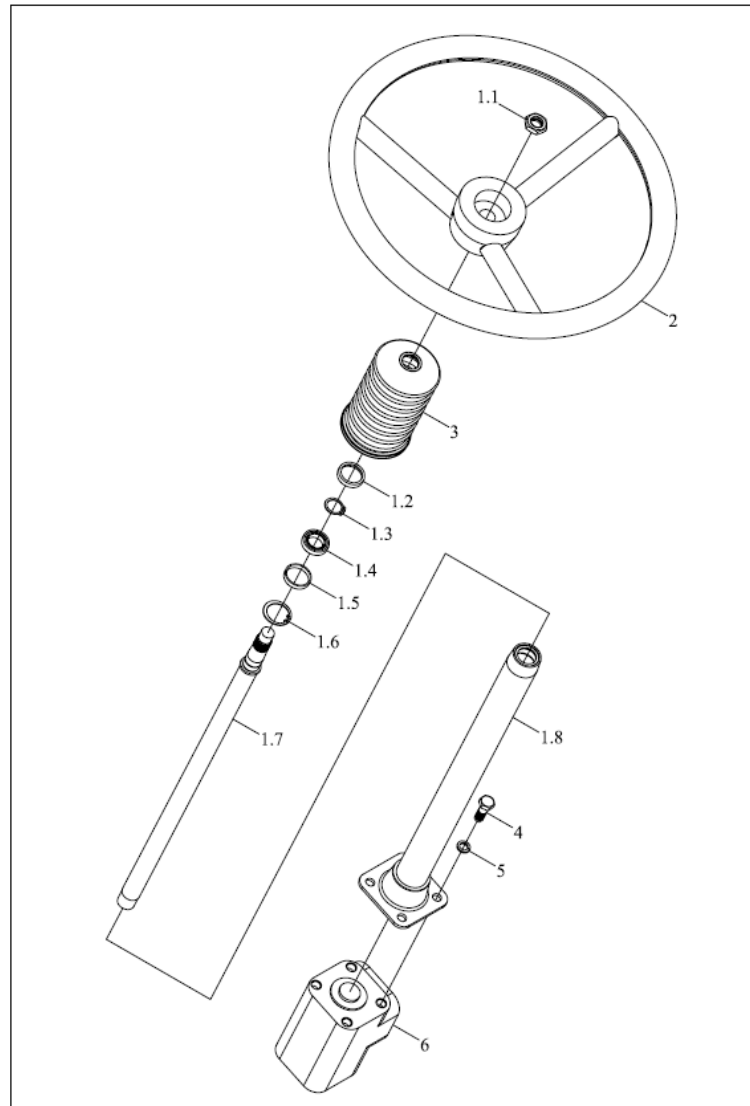
标号 No.	代号 Code	名称 Description		数量 Quantity	备注 Remark
1	GBT6170-M10-A3L	螺母	NUT	2	
10	GBT93-8-A0P	垫圈	WASHER	8	
11	FT450.40Y.011	油泵吸油钢管焊合件	OIL PUMP INLET STEEL PIPE WELDMENT	1	
12	FT650.40.105-M18X1.5	空心螺栓	HOLLOW BOLT	1	
13	JBT982-18	组合密封垫圈	COMBINED SEAL GASKET	2	
13	JBT982-18	组合密封垫圈	COMBINED SEAL GASKET	2	
14	GBT5783-M8X30-8.8-A2L	六角头螺栓	BOLT	3	
15	GBT3452.1-17.0X2.65G	液压气动用O形橡胶密封圈	O-SEAL RING	1	2012-12_
15	GBT3452.1-16.0X2.65G	液压气动用O形橡胶密封圈	O-SEAL RING	1	
16	FT354.40J.011	恒流溢流泵	PERMANENT OVERFLOW PUMP	1	
17	TB504.402B.7	输油钢管焊合	OIL CONVEYING PIPE WELDMENT	1	
17	TB504.402B.7a	输油钢管总成7	OIL CONVEYING PIPE ASSEMBLY 7	1	2012-12_
18	GBT3737.2-G12	直通接头体	STRAIGHT THREAD JOINT	2	
19	TB504.402B.8a	输油钢管焊合8	OIL CONVEYING PIPE WELDMENT 8	1	2012-12_
19	TB504.402B.8	输油钢管焊合	OIL CONVEYING PIPE WELDMENT	1	
2	GBT93-10-A0P	标准型弹簧垫圈	WASHER	4	
20	TB504.402B.12	输油胶管总成3	OIL CONVEYING HOSE ASSEMBLY 3	1	2012-12_
20	TB504.402B.3	输油胶管总成	OIL CONVEYING HOSE ASSEMBLY	1	
21	TB504.402B.4	输油胶管总成	OIL CONVEYING HOSE ASSEMBLY	1	
22	TH354.402-11	管接头	PIPE JOINT	2	
23	JBT982-20	组合密封垫圈	COMBINED SEAL GASKET	2	
24	TB504.402B-01a	油管支架1	OIL PIPE BRACKET1	1	2012-12_
24	TB504.402B-01	油管支架1	OIL PIPE BRACKET1	1	
25	TG1204.402F-02	3孔管夹	THREE-HOLE PIPE CLAMP	2	
26	GBT6170-M8-A2L	螺母	NUT	1	



## TB504.402B-1 40.1-全液压转向管路总成-1(续)

标号 No.	代号 Code	名称 Description		数量 Quantity	备注 Remark
27	GBT5783-M8X35-8.8-A2L	六角头螺栓	BOLT	1	
28	GBT5783-M8X20-8.8-A2L	六角头螺栓	BOLT	1	
29	GBT97.1-8-A0P	平垫圈	WASHER	1	
3	TB450.40X-01	转向油箱支架	STEERING OIL TANK BRACKET	1	
3	TB504.402B.11	转向油箱支架焊合	STEERING OIL TANK BRACKET WELDMENT	1	2012-12_
4	GBT5783-M10X25-8.8-A3L	六角头螺栓	BOLT	2	
5	FT354.40C.011	转向油箱及呼吸器总成	STEERING OIL TANK AND BREATH ASSEMBLY	1	
6	Q67627	软管环箍27	HOSE HOOP 27	4	
7	TB504.402-04	回油软管	OIL RETURN HOSE	1	
8	TB504.402B-03	吸油软管	OIL SUCTION HOSE	1	2012-12_
8	FT400.40X.104	吸油软管	OIL SUCTION HOSE	1	
9	GBT5782-M8X60-8.8-A2L	六角头螺栓	BOLT	4	

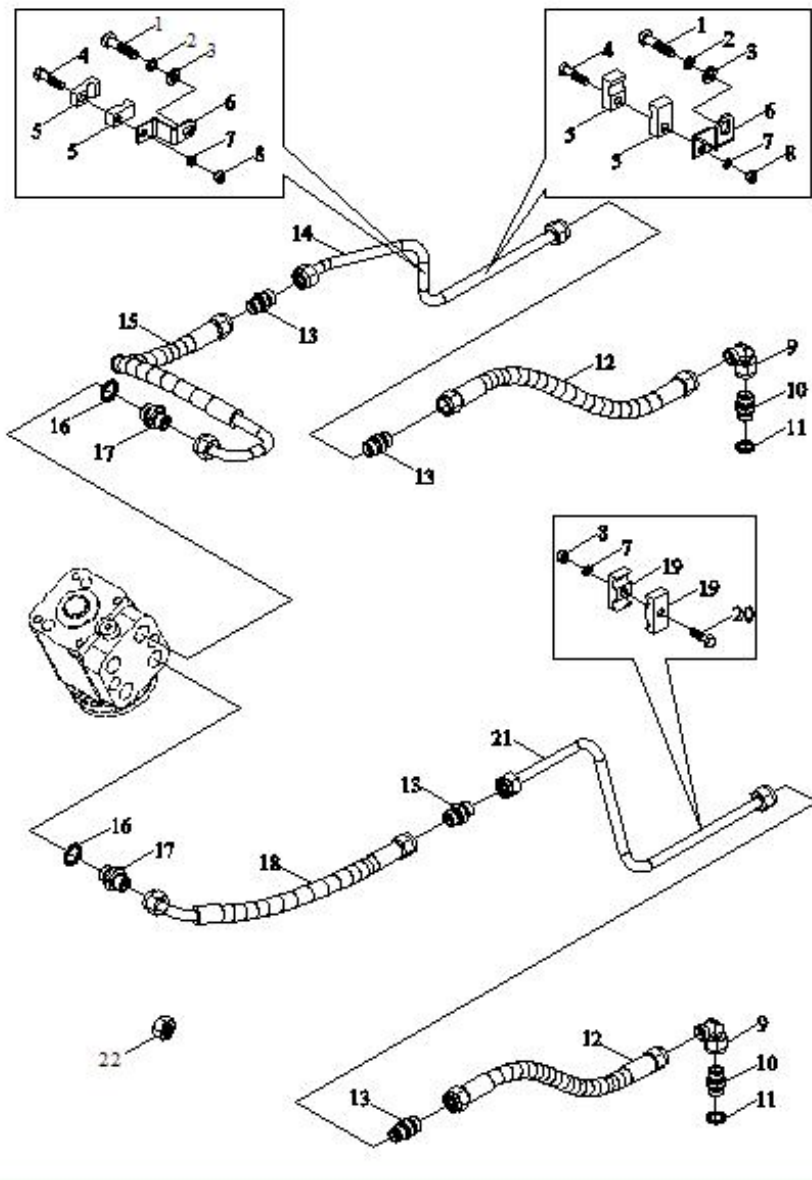
TB504.401B 转向器及转向管柱总成



TB504.401B 40.1-转向器及转向管柱总成 40.1-REDIRECTOR OR STEERING COLUMN ASSEMBLY

标号 No.	代号 Code	名称 Description		数量 Quantity	备注 Remark
1	FT354.40C.016a	转向管柱总成	STEERING PIPE COLUMN ASSEMBLY	1	
1	FT354.40C.016a	转向管柱总成	STEERING PIPE COLUMN ASSEMBLY	1	
1.1	GBT6173-M16X1.5-A3L	六角薄螺母	NUT	1	2011-11_
1.2	FT650.40.172	轴承挡圈	BEARING RETAINER RING	1	2011-11_
1.3	GBT894.1-20	挡圈20	BLCOKING RING	1	2011-11_
1.4	GBT276-61804-2LS	轴承	BEARING	1	2011-11_
1.5	FT650.40.173	轴承挡圈2	BEARING RETAINER RING 2	1	2011-11_
1.6	GBT893.1-32	档圈	RETAINER RING	1	2011-11_
1.7	FT354.40C.130a	转向杆	STEERING ROD	1	2009-12_
1.8	FT354.40C.030	转向套管焊合	STEERING SLEEVE WELDMENT	1	2011-11_
2	FT400.40.016	转向盘总成	STEERING WHEEL ASSEMBLY	1	2011-11_
3	TB504.401-01	转向杆防护套	STEERING ROD SHIELD SLEEVE	1	2011-11_
3	TB504.401-01	转向杆防护套	STEERING ROD SHIELD SLEEVE	1	2011-11_
4	GBT5783-M10X30-8.8-A3L	六角头螺栓	BOLT	4	2011-11_
5	GBT93-10-A0P	标准型弹簧垫圈	WASHER	4	2011-11_
6	FT354.40C.015	液压转向器总成	HYDRAULIC STEERING MECHANISM ASSEMBLY	1	2011-11_
6	FT354.40C.015	液压转向器总成	HYDRAULIC STEERING MECHANISM ASSEMBLY	1	2011-11_

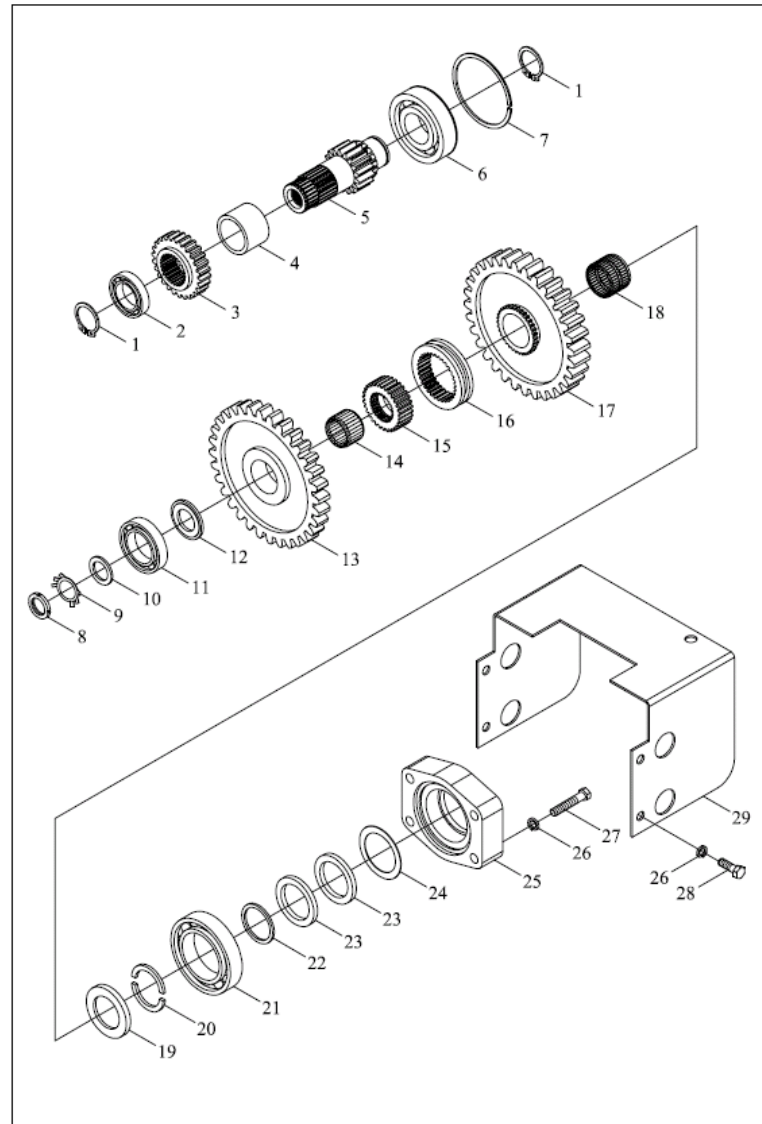




## TB504.402B-2 40.2-全液压转向管路总成-2 FULL HYDRAULIC STEERING PIPE ASSEMBLY-2

标号 No.	代号 Code	名称 Description		数量 Quantity	备注 Remark
1	GBT5783-M10X20-8.8-A3L	六角头螺栓	BOLT	2	
1	GBT5783-M10X20-8.8-A3L	六角头螺栓	BOLT	2	
10	TB504.402B.10	卡套式组合直角管接头	JOINT	2	
11	JBT982-16	组合密封垫圈	COMBINED SEAL GASKET	2	
12	TB504.402B.5	输油胶管总成	OIL CONVEYING HOSE ASSEMBLY	2	
13	GBT3737.2-G12	直通接头体	STRAIGHT THREAD JOINT	4	
14	TB504.402B.2	输油钢管总成	OIL CONVEYING PIPE ASSEMBLY	1	
14	TB504.402B.2a	输油钢管总成2	OIL CONVEYING PIPE ASSEMBLY 2	1	2012-12_
15	TB504.402B.6	输油胶管总成	OIL CONVEYING HOSE ASSEMBLY	1	
16	JBT982-20	组合密封垫圈	COMBINED SEAL GASKET	2	
17	TH354.402-11	管接头	PIPE JOINT	2	
18	TB504.402B.9	输油胶管总成	OIL CONVEYING HOSE ASSEMBLY	1	
19	TG1204.402E-03	双孔管夹	DOUBLE-HOLE PIPE CLIP	2	
2	GBT93-10-A0P	标准型弹簧垫圈	WASHER	2	
20	GBT5783-M8X35-8.8-A2L	六角头螺栓	BOLT	1	
21	TB504.402B.1a	输油钢管总成1	OIL CONVEYING PIPE ASSEMBLY 1	1	2012-12_
21	TB504.402B.1	输油钢管总成	OIL CONVEYING PIPE ASSEMBLY	1	
22	GBT6170-M8-8-A2L	I型六角螺母	I-TYPE HEXAGON NUT	1	
3	GBT97.1-10-A0P	平垫圈	WASHER	2	
4	GBT5782-M8X40-8.8-A2L	六角头螺栓	BOLT	2	
5	TG1654.402-07	单孔管夹	SINGLE HOLE PIPE CLAMP	4	
6	TB504.402-10	油管支架Ⅲ	OIL PIPE BRACKET 3	2	
7	GBT93-8-A0P	垫圈	WASHER	3	
8	GBT6170-M8-A2L	螺母	NUT	3	
9	GBT3733.2-G12	卡套式端直通接头体	STRAIGHT PIPE JOINT BODY	2	

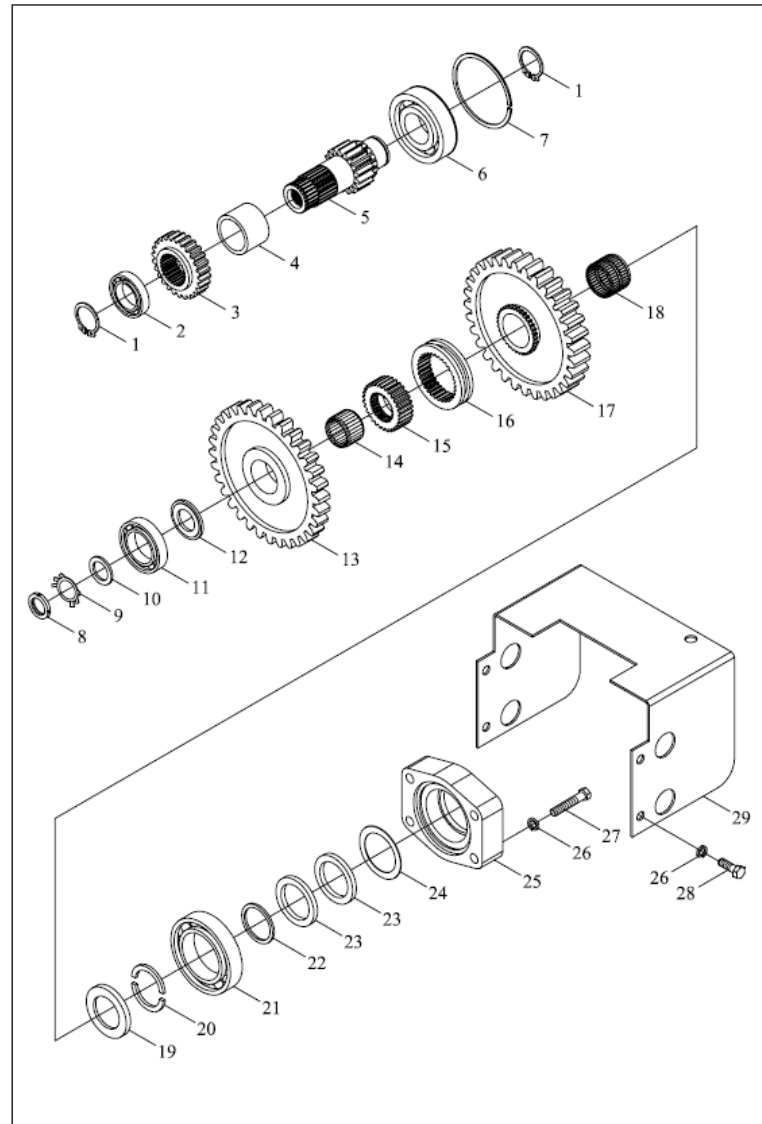
TB400.411DPTO gear assembly



## TB400.411D 41.1-动力输出齿轮总成 41.1-PTO GEAR ASSEMBLY

标号 No.	代号 Code	名称 Description		数量 Quantity	备注 Remark
1	GBT894.1-40	挡圈40	WASHER 40	2	2011-11_
10	FT300.41.122	垫圈	WASHER	1	2011-11_
11	GBT276-6306	深沟球轴承	BEARING	1	2011-11_
12	FT300.41C.118	输出轴前挡环	OUTPUT SHAFT FRONT RETAINER RING	1	2011-11_
13	FT300.41E.105	动力输出被动小齿轮	PTO DRIVEN SMALL GEAR	1	2011-11_
14	JBT7918-K35X40X27	向心滚针和保持架组件	NEEDLE AND CARRIER UNIT	1	2011-11_
15	FT300.41C.117	动力输出啮合座	PTO MESHING SEAT	1	2011-11_
15	FT300.41C.117	动力输出啮合座	PTO MESHING SEAT	1	2011-11_
16	FT300.41C.116	动力输出啮合套	PTO SHIFT COLLAR	1	2011-11_
17	FT300.41E.103	动力输出被动大齿轮	PTO DRIVEN BIG GEAR	1	2011-11_
19	FT300.41E.114	后挡环	REAR RETAINER RING	1	2011-11_
2	GBT276-6208	深沟球轴承	BEARING	1	2011-11_
20	FT300.41E.119	输出轴半挡环	OUTPUT SHAFT HALF RETAINER RING	2	2011-04_
21	GBT276-6309	深沟球轴承	BEARING	1	2011-11_
22	FT300.41E.113	输出轴轴承垫圈	OUTPUT SHAFT BEARING WASHER	1	2011-11_
23	GBT9877.1-FB50X72X8D	内包骨架旋转轴唇形密封	O RING	2	2011-11_
24	FT300.41E.115	油封挡圈	OIL SEAL RETAINER RING	1	2011-11_
25	FT300.41E.101	后端盖 I	REAR END COVER I	1	2011-11_
26	GBT93-12-AOP	垫圈	WASHER	8	2011-11_
27	GBT5782-M12X55	六角头螺栓	BOLT	4	2004-01_
28	GBT5781-M12X25-A3L	六角头螺栓	BOLT	4	2011-11_
29	FT300.41.131a	安全防护罩	SAFTY BONNET	1	2011-11_
3	FT300.41E.120	动力输出高档主动齿轮	PTO HIGH GEAR DRIVING GEAR	1	2011-11_
3	FT300.41E.120	动力输出高档主动齿轮	PTO HIGH GEAR DRIVING GEAR	1	2011-11_
4	FT300.41E.121	隔套	SPACER BUSH	1	2011-11_

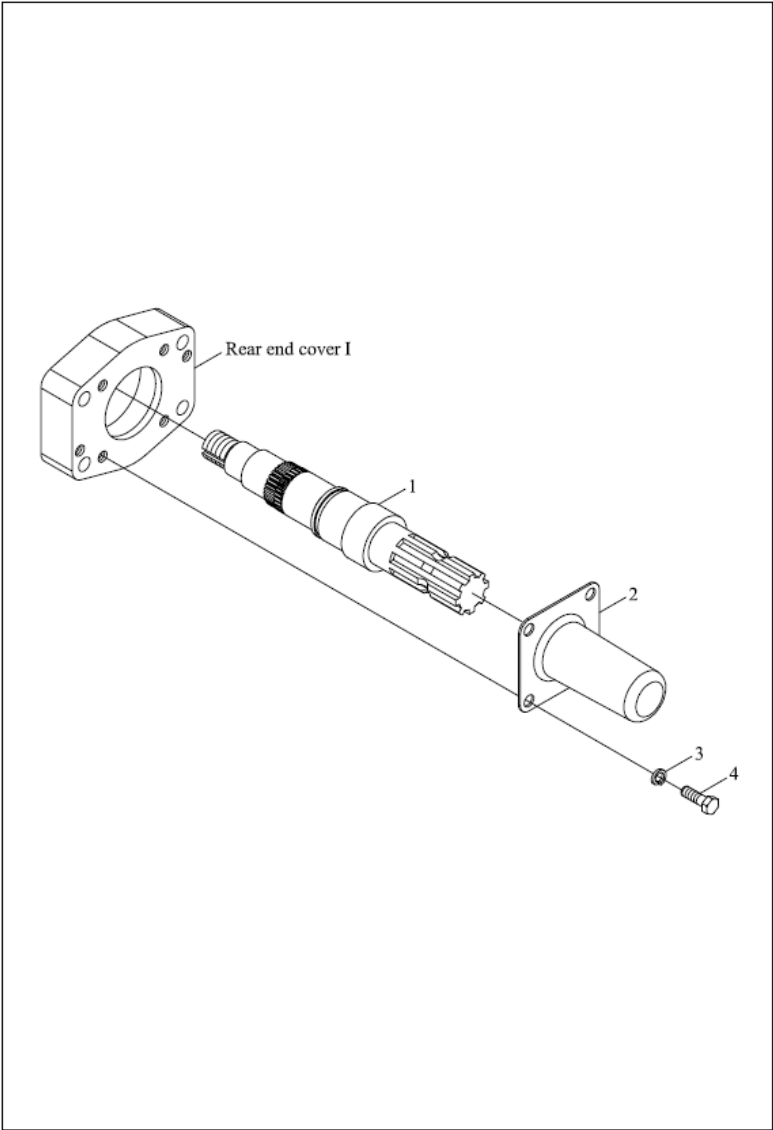
TB400.411DPTO gear assembly



## TB400.411D 41.1-动力输出齿轮总成(续)

标号 No.	代号 Code	名称 Description		数量 Quantity	备注 Remark
5	FT300.41E.106	动力输出低档主动齿轮	PTO LOW GEAR DRIVING GEAR	1	2011-11_
5	FT300.41E.106	动力输出低档主动齿轮	PTO LOW GEAR DRIVING GEAR	1	2011-11_
6	GBT276-6308N	深沟球轴承	BEARING	1	2011-11_
7	GBT305-90-96.5	止动环	THRUST RING	1	2011-11_
8	GBT812-M25X1.5	圆螺母	ROUND NUT	1	2011-11_
9	GBT858-25	止退垫圈	WASHER LOCK	1	2011-11_

TB550.412A Power shaft assembly

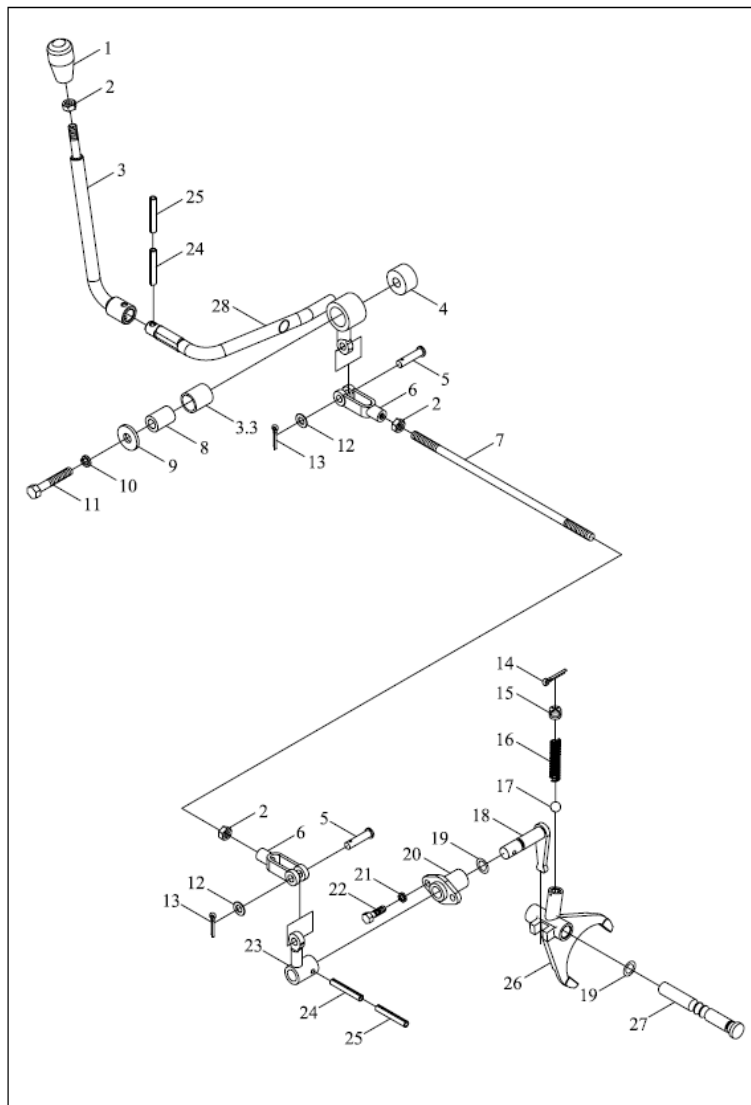


## TB550.412A 41.2-动力输出轴总成 41.2-PTO SHAFT ASSEMBLY

标号 No.	代号 Code	名称 Description		数量 Quantity	备注 Remark
1	TB550.412A-01	I 35型动力输出轴	TYPE-I 35 PTO SHAFT	1	2011-11_
1	TB550.412A-01	I 35型动力输出轴	TYPE-I 35 PTO SHAFT	1	2011-11_
2	TE250.411C-02	动力输出轴护罩	PTO SHAFT HOOD	1	2008-11_
2	FT300.41E.102	动力输出轴盖	PTO SHAFT COVER	1	2004-01_
3	GBT93-10	垫圈10	WASHER 10	4	2011-11_
4	GBT5783-10X20-A3L	六角头螺栓	BOLT	4	2011-11_



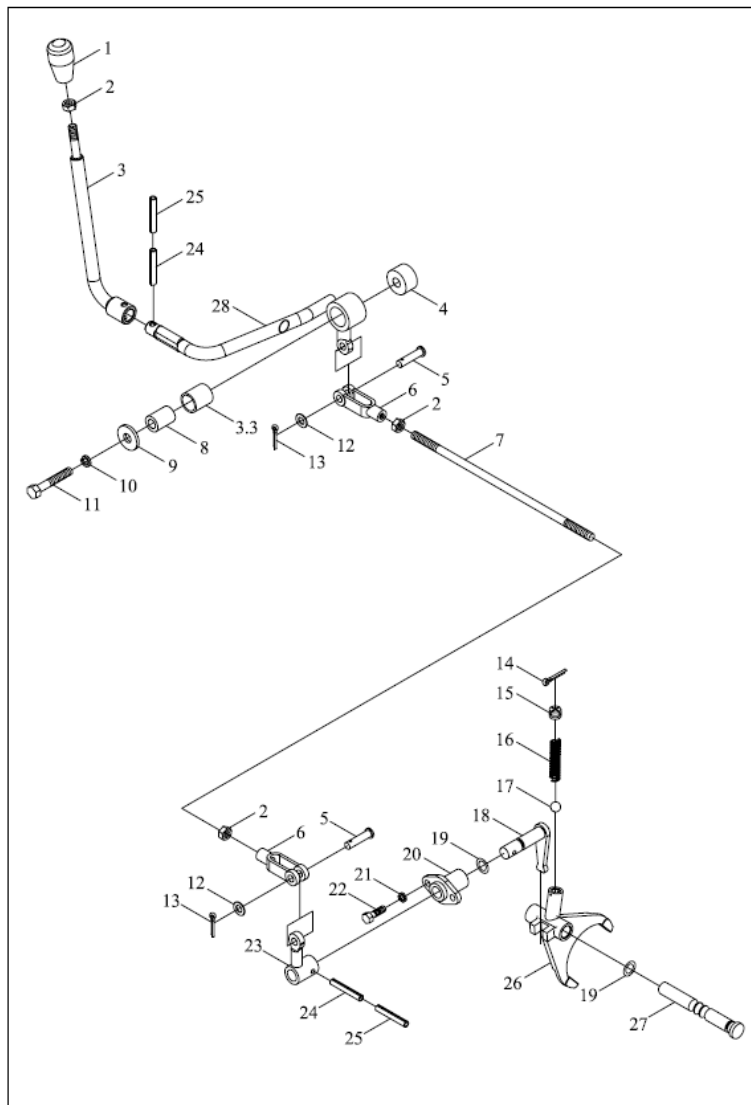
TB550.413D 动力输出操纵总成



## TB550.413D 41.3-动力输出操纵总成 41.3-PTO CONTROL ASSEMBLY

标号 No.	代号 Code	名称 Description		数量 Quantity	备注 Remark
1	FT300.41.015	动力输出操纵手柄总成	PTO CONTROL HANDLE ASSEMBLY	1	2011-11_
10	GBT93-12	垫圈	WASHER	1	2011-11_
11	TB550.413-02	螺栓	BOLT	1	2011-11_
12	GBT97.1-10-A0P	平垫圈	WASHER	2	2011-11_
13	GBT91-3.2X16-A0P	开口销	PIN	2	2011-11_
14	GBT91-2.5X32-A0P	开口销	PIN	1	2011-11_
15	TB550.413-03	螺钉	SCREW	1	2011-11_
16	FT704.42B.163	拨叉轴定位弹簧	FORK SHAFT LOCATING SPRING	1	2011-11_
17	GBT308-9.5-G100-b	钢球	BALL	1	2011-11_
18	TB550.413-04	指形拨杆焊合件	FINGER LEVER WELDMENT	1	2012-05_
18	FT300.41E.011	指形拨杆焊合件	FINGER LEVER WELDMENT	1	2004-01_
19	GBT3452.1-11.2X2.65G	液压气动用O形橡胶密封圈	O-SEAL RING	1	
19	GBT3452.1-16.0X2.65G	液压气动用O形橡胶密封圈	O-SEAL RING	1	
2	GBT6170-M10-A3L	螺母	NUT	3	2011-11_
20	FT300.41E.109	拨杆轴套	LEVER SHAFT SLEEVE	1	2011-11_
21	GBT93-8-AOP	弹簧垫圈	SPRING WASHER	2	2011-11_
22	GBT5783-M8X20-A2L	螺栓	BOLT	2	2011-11_
23	FT300.41.012	动力输出变速杆焊合件	PTO GEARSHIFT LEVER WELDMENT	1	2011-11_
24	GBT879.1-6X26	弹性圆柱销	PIN	2	2011-11_
25	GBT879.1-3.5X26	弹性圆柱销	PIN	2	2011-11_
26	TB550.413-01a	动力输出变速拨叉	PTO GEARSHIFT FORK	1	2011-11_
27	FT300.41C.107a	动力输出拨叉轴	PTO FORK SHAFT	1	2011-11_
28	TB550.413D.2	动力输出操纵连接杆总成	PTO CONTROL CONNECTING LEVER ASSEMBLY	1	2011-11_
3	TB550.413D.1	动力输出操纵手柄杆焊合	PTO CONTROL HANDLE LEVER WELDMENT	1	2011-11_
3	TB550.413D.1	动力输出操纵手柄杆焊合	PTO CONTROL HANDLE LEVER WELDMENT	1	2011-11_

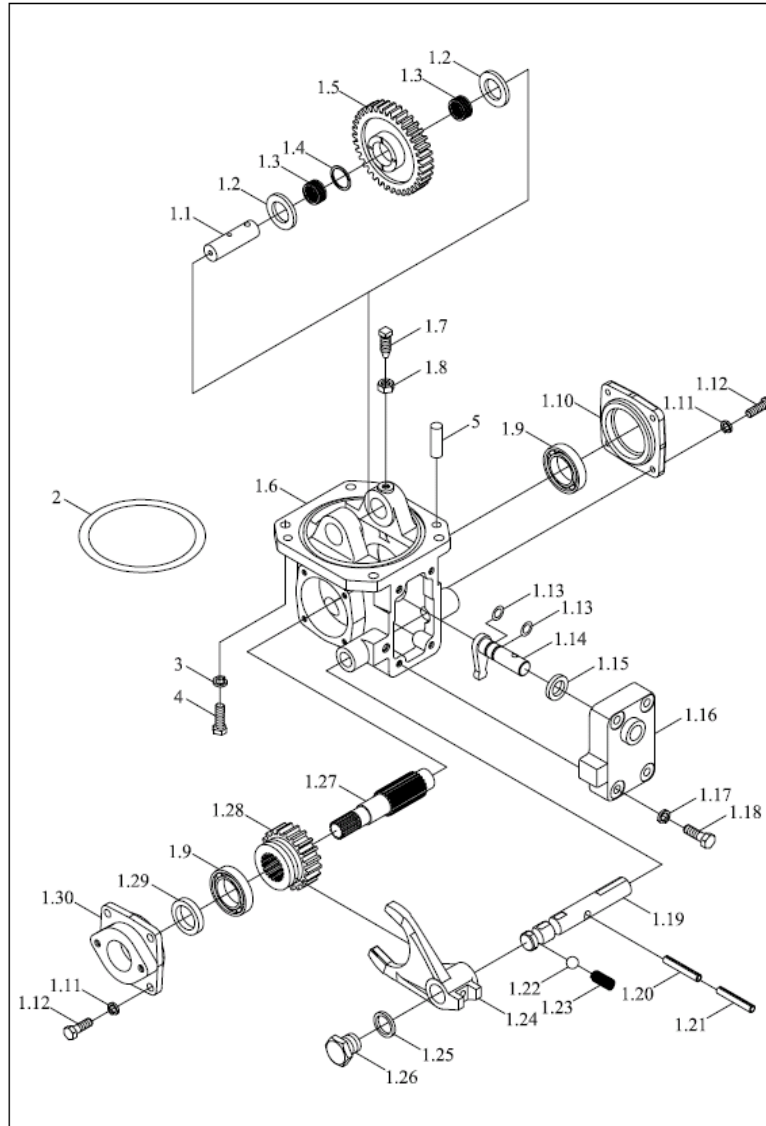
TB550.413D 动力输出操纵总成



## TB550.413D 41.3-动力输出操纵总成(续)

标号 No.	代号 Code	名称 Description		数量 Quantity	备注 Remark
4	FT300.41.128	隔套	SPACER BUSH	1	2011-11_
5	GBT882-B10X30	销轴	PIN	2	2011-11_
6	FT300.43.108	拉杆前叉	PULL ROD FRONT FORK	2	2011-11_
7	FT300.41E.112	操纵杆	CONTROL ROD	1	2011-11_
8	FT300.41.130	轴套	SHAFT SLEEVE	1	2011-11_
9	FT300.41.129	垫圈	WASHER	1	2011-11_

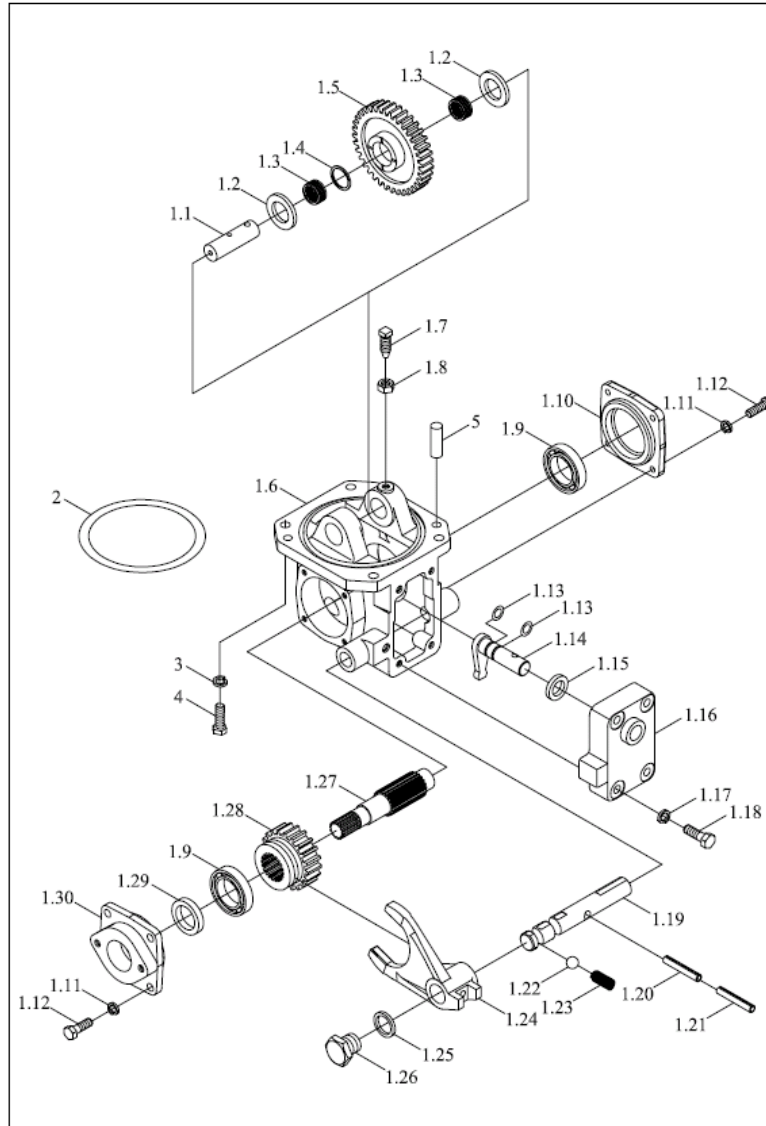
TB554.421C Transfer case housing assembly



## TB554.421C 42.1-分动箱箱体总成 42.1-TRANSFER CASE HOUSING ASSEMBLY

标号 No.	代号 Code	名称 Description		数量 Quantity	备注 Remark
1	TB554.421C.1	分动箱装配总成	TRANSFER CASE INSTALLATION ASSEMBLY	1	2011-11_
1	TB554.421C.1	分动箱装配总成	TRANSFER CASE INSTALLATION ASSEMBLY	1	2011-11_
1.1	FT304.42.117	轴承盖	BEARING COVER	1	2011-11_
1.1	FT304.42.117	轴承盖	BEARING COVER	1	2011-11_
1.1	FT304.42.102	惰轮轴	IDLER SHAFT	1	2011-11_
1.11	GBT93-8-AOP	弹簧垫圈	SPRING WASHER	8	2011-11_
1.12	GBT5783-M8X20-A2L	螺栓	BOLT	8	2011-11_
1.13	GBT3452.1-17.0X1.80G	液压气动用O形橡胶密封圈	O-SEAL RING	2	2011-11_
1.14	TB554.421E.1.1	转轴焊合	ROTARY SHAFT WELDMENT	1	2011-11_
1.15	TB554.423B-02	转轴隔套	ROTARY SHAFT SPACER BUSH	1	2011-11_
1.16	TB554.421E.1-05	侧盖	SIDE COVER	1	2011-11_
1.17	GBT93-10-A0P	标准型弹簧垫圈	WASHER	4	2011-11_
1.18	GBT5782-M10X45-A3L	六角头螺栓	BOLT	4	2011-11_
1.19	FT304.42F.119	分动箱拨叉轴	TRANSFER CASE FORK SHAFT	1	
1.19	TB554.421E.1-04	拨叉轴	FORK SHAFT	1	2007-03_
1.2	FT304.42F.103	止推环	PLATE;THRUST	2	2011-11_
1.2	GBT879.1-6X30	弹性圆柱销	PIN	1	2011-11_
1.21	GBT879.1-3.5X30	弹性圆柱销	PIN	1	2011-11_
1.22	GBT308-10-G100-b	钢球	BALL	1	2011-11_
1.23	FT800.37.139	弹簧	SPRING	1	2009-12_
1.23	FT804.42.151	弹簧	SPRING	1	2004-01_
1.24	TB554.421E.1-06	分离拨叉	RELEASE SHIFT FORK	1	2011-11_
1.25	JBT982-18	组合密封垫圈	COMBINED SEAL GASKET	2	2011-11_
1.25	JBT982-18	组合密封垫圈	COMBINED SEAL GASKET	2	2011-11_
1.26	FT804.42.110	螺堵	SCREW PLUG	2	2011-11_

TB554.421C Transfer case housing assembly

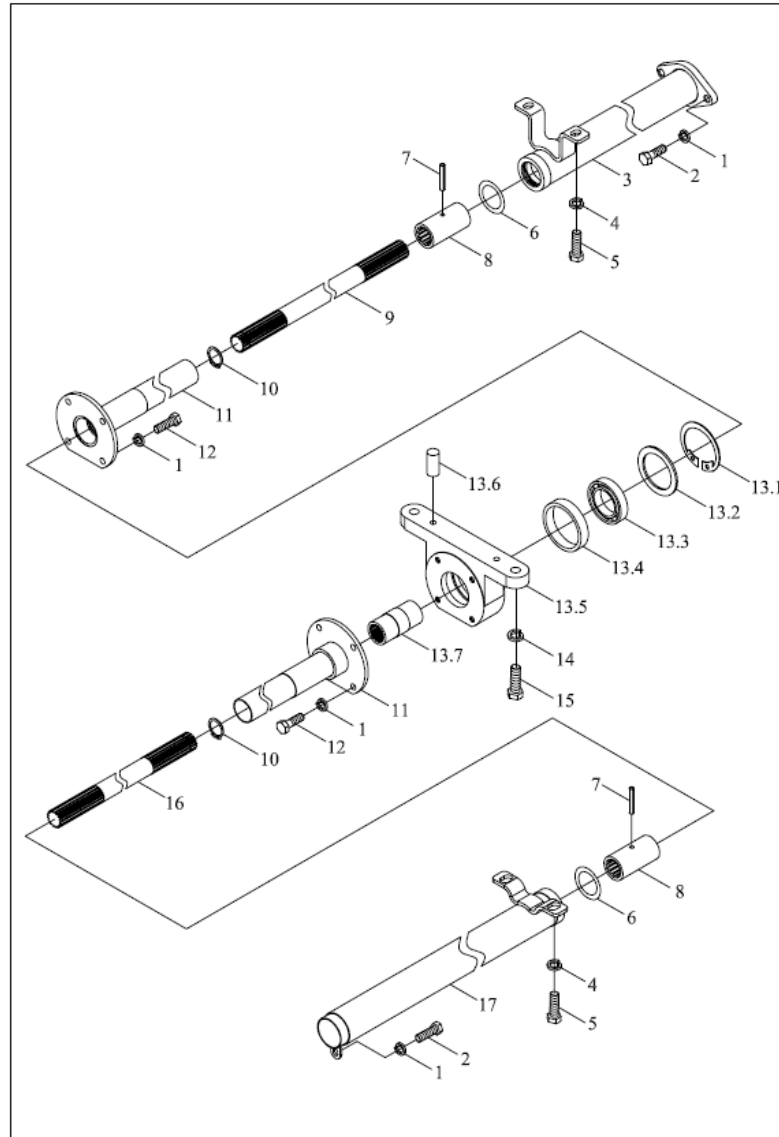


## TB554.421C 42.1-分动箱箱体总成(续)

标号 No.	代号 Code	名称 Description		数量 Quantity	备注 Remark
1.27	FT304.42F.105	分动箱输出轴	TRANSFER CASE OUTPUT SHAFT	1	2011-11_
1.28	TB554.421C.1-01	分动箱被动齿轮	TRANSFER CASE DRIVEN GEAR	1	2011-11_
1.29	GBT9877.1-FB30X52X7D	内包骨架旋转轴唇形密封	O RING	1	2011-11_
1.3	FT304.42F.106	轴承座	BEARING SEAT	1	2011-11_
1.3	JBT7918-K25X31X20	向心滚针和保持架组件	NEEDLE AND CARRIER UNIT	2	2011-11_
1.4	FT304.42.126	滚针内隔套	NEEDLE INNER SPACER SLEEVE	1	2011-11_
1.5	FT304.42F.125	分动箱惰轮	TRANSFER CASE IDLER	1	2011-11_
1.6	FT304.42F.101	分动箱箱体	TRANSFER CASE BODY	1	
1.6	FT304.42F.101a	分动箱箱体	TRANSFER CASE BODY	1	2007-03_
1.7	FT304.42.112	止动螺钉	THRUST SCREW	1	2011-11_
1.8	GBT6173-M10X1-A2L	六角薄螺母	NUT	1	2011-11_
1.9	GBT276-6306	深沟球轴承	BEARING	2	2011-11_
2	GBT3452.1-132X3.55G	液压气动用O形橡胶密封圈	O-SEAL RING	1	2011-11_
3	GBT93-10-A0P	标准型弹簧垫圈	WASHER	4	2011-11_
4	GBT5783-M10X30-8.8-A3L	六角头螺栓	BOLT	4	2009-05_
4	GBT5783-M10X25-A3L	螺栓	BOLT	4	2004-01_



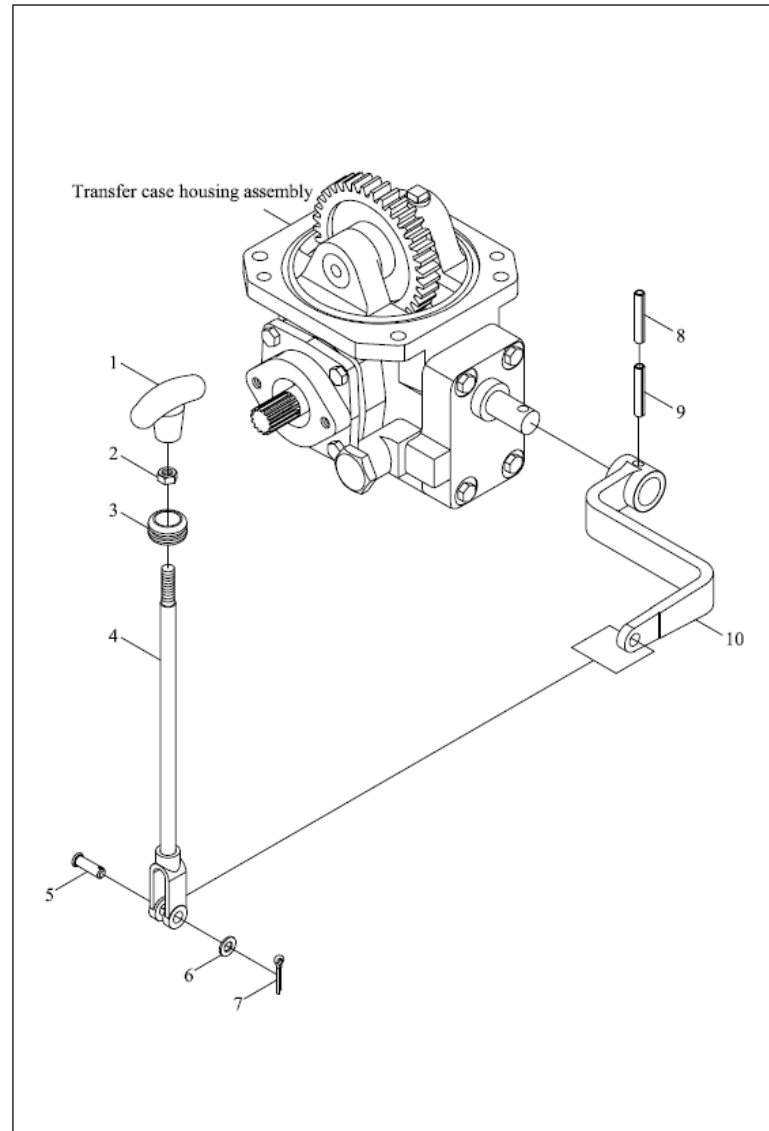
TB454.422 Transfer case driven assembly



## TB454.422 42.2-分动箱传动总成 42.2-TRANSFER CASE TRANSMISSION ASSEMBLY

标号 No.	代号 Code	名称 Description		数量 Quantity	备注 Remark
1	GBT93-8-AOP	弹簧垫圈	SPRING WASHER	11	2011-11_
10	GBT894.1-26	轴用弹性挡圈	SNAP RING	2	2011-11_
11	FT304.42X.017	护套(2)焊合件	GUARD SLEEVE WELDMENT (2)	2	2011-11_
12	GBT5783-M8X20-A2L	螺栓	BOLT	8	2011-11_
13	TB554.422.1	中间轴承座总成	MIDDLE BEARING SEAT ASSEMBLY	1	2011-11_
13.1	GBT893.2-72	孔用弹性挡圈	SNAP RING	1	2011-11_
13.2	FT304.42X.136	隔圈		1	2011-11_
13.3	GBT276-6007-2RZ	深沟球轴承	BEARING	1	2011-11_
13.4	FT304.42X.137	橡胶圈	RUBBER RING	1	2011-11_
13.5	FT304.42X.138	中间轴承座	MIDDLE BEARING SEAT	1	2011-11_
13.6	GBT119.1-8m6X20-A0P	圆柱销	PIN	2	2007-04_
13.7	FT304.42X.135	中间花键套	MIDDLE SPLINE BUSH	1	2011-11_
14	GBT93-12-AOP	垫圈	WASHER	2	2011-11_
15	GBT5783-M12X40-A3L	螺栓	BOLT	2	2011-11_
16	FT404.42.139	前传动轴	FRONT TRANSMISSION SHAFT	1	2011-11_
17	FT404.42.016	护套(3)焊合件	GUARD SLEEVE WELDMENT (3)	1	2011-11_
17	FT404.42.016	护套(3)焊合件	GUARD SLEEVE WELDMENT (3)	1	2011-11_
2	GBT5783-M8X16-A2L	螺栓	BOLT	3	2011-11_
3	FT304.42F.015	护罩(1)焊合件	BONNET (1) WELDMENT	1	2011-11_
4	GBT93-10-A0P	标准型弹簧垫圈	WASHER	4	2011-11_
5	GBT5783-M10X20-A3L	螺栓	BOLT	4	2011-11_
6	GBT3452.1-34.5X3.55G	液压气动用O形橡胶密封圈	O-SEAL RING	2	2011-11_
7	GBT879.1-6X35	弹性圆柱销	PIN	2	2011-11_
8	FT304.42.107a	花键套	SPLINE BUSH	2	2011-11_
9	FT404.42.128	后传动轴	REAR TRANSMISSION SHAFT	1	2011-11_

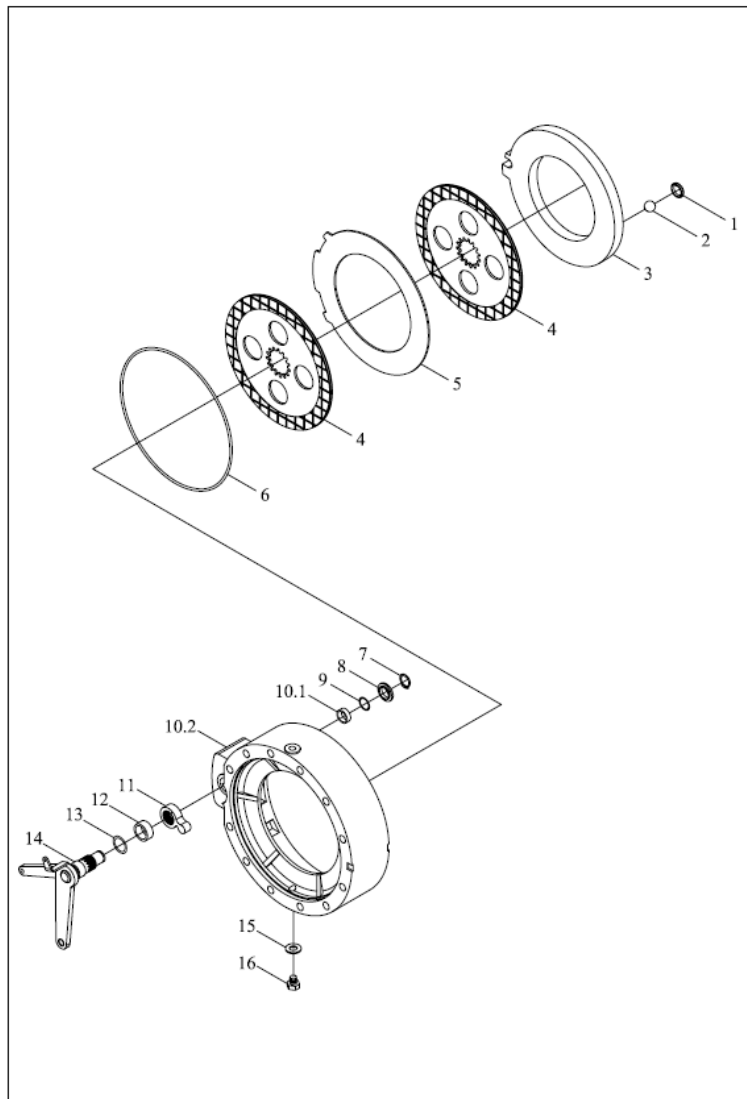
TB554.423C Transfer case control assembly



## TB554.423C 42.3-分动箱操纵总成 42.3-TRANSFER CASE CONTROL ASSEMBLY

标号 No.	代号 Code	名称 Description		数量 Quantity	备注 Remark
1	FT65.38.051	拉压手柄	PULL/PRESS HANDLE	1	2011-11_
10	TB554.423C-01	摇臂	ROCKER	1	2011-11_
2	GBT6170-M10-A3L	螺母	NUT	1	2011-11_
3	TG1204.435.2	密封胶圈	SEAL RUBBER RING	1	2004-01_
3	FT304.42D.137	密封胶圈	SEAL RUBBER RING	1	2011-11_
4	FT304.42D.021	操纵杆合件	CONTROL ROD UNIT	1	2008-03_
4	TB554.423B.3	操纵杆合件	CONTROL ROD UNIT	1	2010-02_
5	GBT882-B10X30	销轴	PIN	1	2011-11_
6	GBT97.1-10-A0P	平垫圈	WASHER	1	2011-11_
7	GBT91-3.2X16-A0P	开口销	PIN	1	2011-11_
8	GBT879.1-5X32	弹性圆柱销	PIN	1	2011-11_
9	GBT879.1-8X32	弹性圆柱销	PIN	1	2011-11_

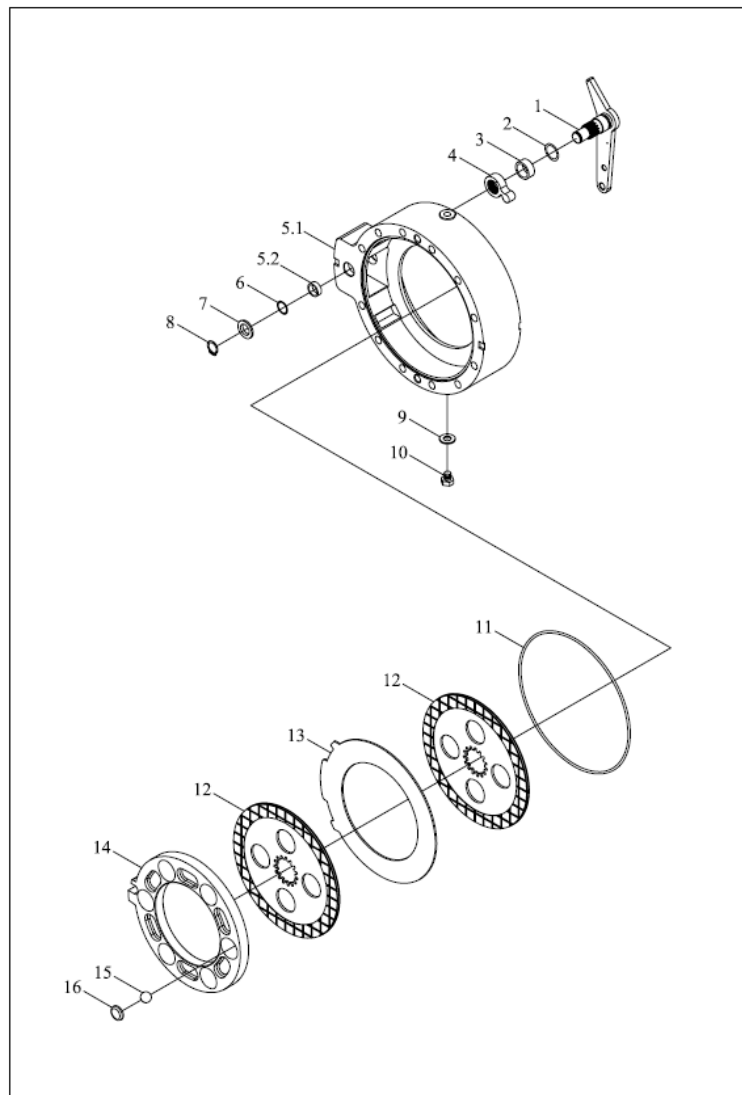
TB504.431 左制动器总成



TB504.431 43.1-左制动器总成 43.1-LEFT BRAKE ASSEMBLY

标号 No.	代号 Code	名称 Description		数量 Quantity	备注 Remark
1	FT300.43.102	碗形塞	BOWL PLUG	6	2011-11_
10	FT300.43.012	左制动器壳总成	LEFT BRAKE HOUSING ASSEMBLY	1	2011-11_
10.1	FT300.43.114	曲柄轴衬套	CRANK SHAFT BUSH	1	
10.2	FT300.43.121	左制动器壳	LEFT BRAKE HOUSING	1	2011-11_
11	FT300.43.106	拨块	SHIFTING BLOCK	1	2011-11_
12	FT300.43.107	隔套	SPACER BUSH	1	2011-11_
13	GBT3452.1-20.0X2.65G	液压气动用O形橡胶密封圈	O-SEAL RING	1	2011-11_
14	TB504.431.1	左曲柄合件	LEFT CRANK UNIT	1	2011-11_
14	TB504.431.1	左曲柄合件	LEFT CRANK UNIT	1	2011-11_
15	FT300.43.153	最终传动放油口垫圈	FINAL TRANSMISSION OIL DRAINING PORT WASHER	1	2011-11_
15	JBT982-12	组合密封垫圈		1	2013-04_
16	FT300.43.154	螺塞	COMBINED SEAL GASKET	1	2011-11_
2	GBT308-18.000-G100-b	钢球	SCREW PLUG	6	2011-11_
3	FT300.43.103	左制动器压盘	BALL	1	2011-11_
4	FT300.43.011	制动器摩擦盘总成	LEFT BRAKE PRESSURE PLATE BRAKE FRICTION PLATE ASSEMBLY	2	2011-11_
5	FT300.43.105	隔板		1	2011-11_
6	FT300.43.101	O形圈	SPACER PLATE	1	2011-11_
7	GBT894.1-18	挡圈	O-RING	1	2011-11_
8	FT300.43.109a	垫圈	RETAINER RING	1	2011-11_
9	GBT452.1-18.0X2.65	O形圈	WASHER O-RING	1	2011-11_

TB504.432 右制动器总成

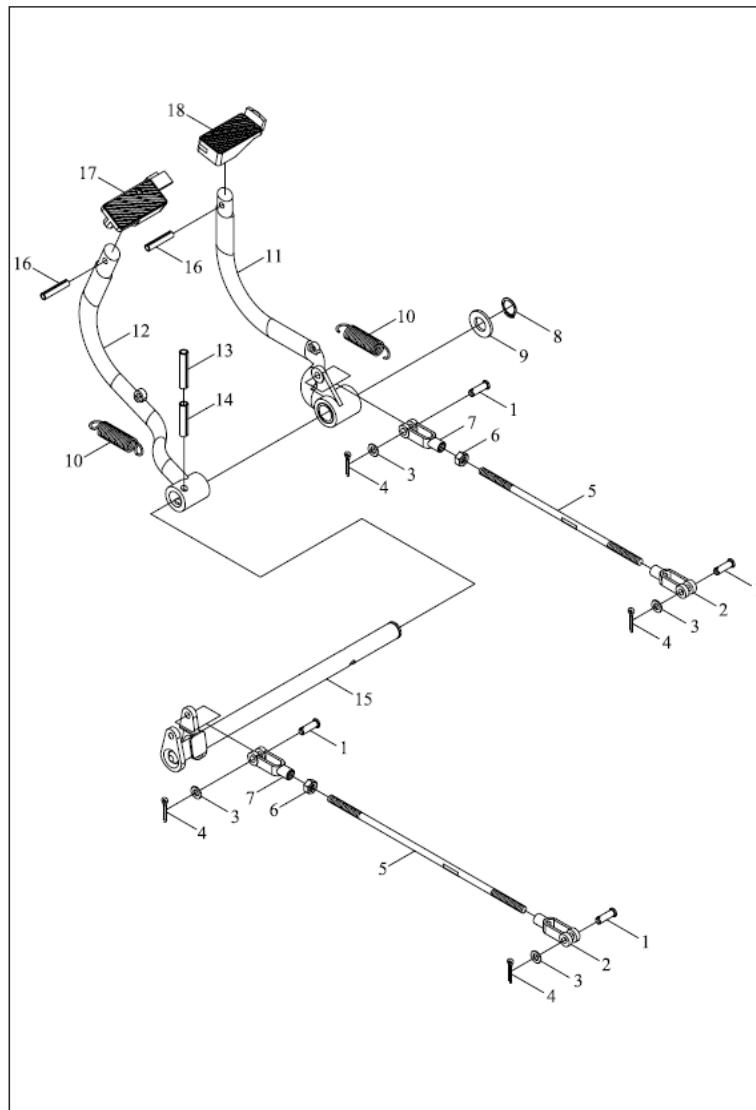


## TB504.432 43.2-右制动器总成 43.2-RIGHT BRAKE ASSEMBLY

标号 No.	代号 Code	名称 Description		数量 Quantity	备注 Remark
1	TB504.432.1	右曲柄合件	RIGHT CRANK UNIT	1	2011-11_
10	FT300.43.154	螺塞	SCREW PLUG	1	2011-11_
11	FT300.43.101	O形圈	O-RING	1	2011-11_
12	FT300.43.011	制动器摩擦盘总成	BRAKE FRICTION PLATE ASSEMBLY	2	2011-11_
13	FT300.43.105	隔板	SPACER PLATE	1	2011-11_
14	FT300.43.104	右制动器压盘	RIGHT BRAKE PLATEN	1	2011-11_
15	GBT308-18.000-G100-b	钢球	BALL	6	2011-11_
16	FT300.43.102	碗形塞	BOWL PLUG	6	2011-11_
2	GBT3452.1-20.0X2.65	o型圈	O.RING	1	2011-11_
3	FT300.43.107	隔套	SPACER BUSH	1	2011-11_
4	FT300.43.106	拨块	SHIFTING BLOCK	1	2011-11_
5	FT300.43.013	右制动器壳总成	RIGHT BRAKE HOUSING ASSEMBLY	1	2011-11_
5.1	FT300.43.122	右制动器壳	RIGHT BRAKE HOUSING	1	2011-11_
5.2	FT300.43.114	曲柄轴衬套	CRANK SHAFT BUSH	1	2011-11_
6	GBT3452.1-20.0 × 2.65	O型圈	O-RING		2011-11_
7	FT300.43.109a	垫圈	WASHER	1	2011-11_
8	GBT894.1-18	挡圈	RETAINER RING	1	2011-11_
9	JBT982-12	组合密封垫圈	COMBINED SEAL GASKET	1	2013-04_
9	FT300.43.153	最终传动放油口垫圈	FINAL TRANSMISSION OIL DRAINING PORT WASHER	1	2011-11_



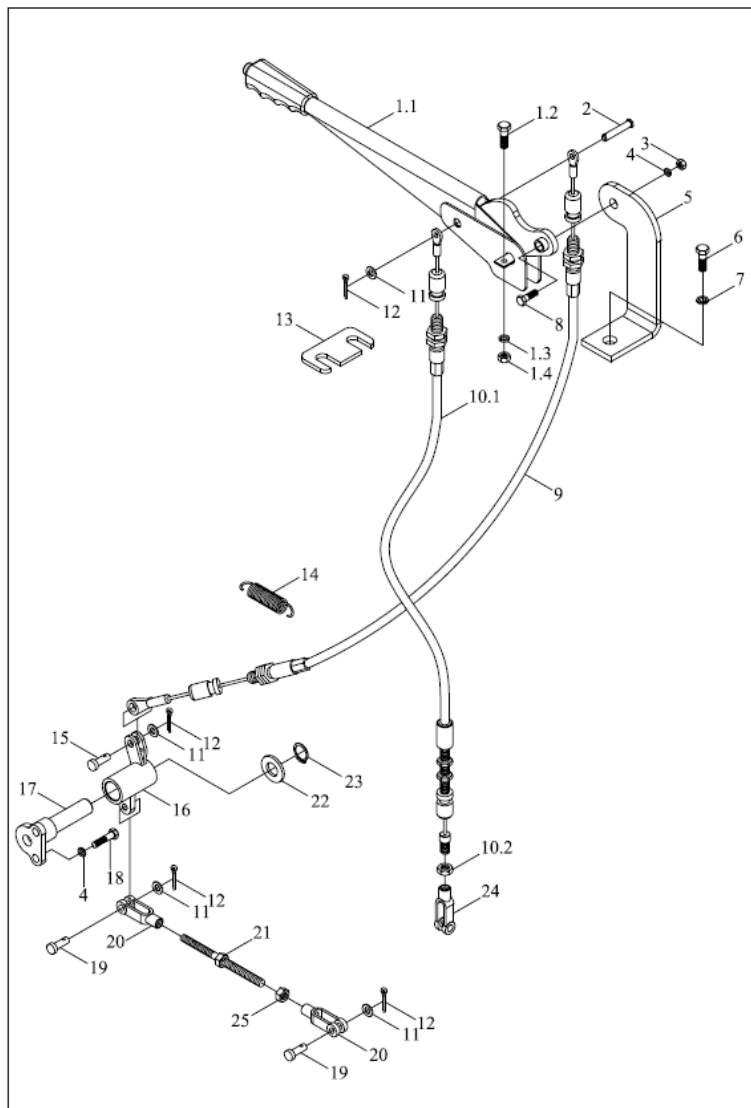
TB504.433 制动器操纵机构总成-1



## TB504.433-1 43.3.1-制动器操纵机构总成-1 BRAKE CONTROL MECHANISM ASSEMBLY-1

标号 No.	代号 Code	名称 Description		数量 Quantity	备注 Remark
1	GBT882-B10X28-A0P	销轴	PIN	4	2011-11_
10	FT300.43.130	踏板回位弹簧	PEDAL RETURN SPRING	2	
11	TB504.433.3	右制动踏板体合件	RIGHT BRAKE PEDAL BODY UNIT	1	2011-11_
12	TB504.433.1	左制动踏板合件	LEFT BRAKE PEDAL UNIT	1	
13	GBT879.1-6X40	弹簧圆柱销	SPRING COLUMN PIN	1	2011-11_
14	GBT879.1-10X40	弹性圆柱销	PIN	1	2011-11_
15	FT300.43.020a	踏板轴合件	PEDAL SHAFT UNIT	1	2011-11_
16	GBT879.1-8X30	弹性圆柱销	PIN	2	2011-11_
17	TB504.433.10	左制动踏板体焊合	LEFT BRAKE PEDAL BODY WELDMENT	1	
18	TB504.433.3.1	右制动踏板体焊合	RIGHT BRAKE PEDAL BODY WELDMENT	1	
2	FT300.43.110	拉杆后叉	PULL ROD REAR FORK	2	2011-11_
3	GBT97.1-10-A0P	平垫圈	WASHER	4	2011-11_
4	GBT91-3.2X16-A0P	开口销	PIN	4	2011-11_
5	TB504.433-07	拉杆	PULL ROD	2	2010-02_
5	FT300.43.120	拉杆	PULL ROD	2	2004-01_
6	GBT6170-M10-A3L	螺母	NUT	2	2011-11_
7	FT300.43.108	拉杆前叉	PULL ROD FRONT FORK	2	
7	TA700.431A-01	右旋长条孔连接叉	DEXTROROTATION LONG HOLE CONNECT FORK	4	2009-01_
8	GBT894.1-25	挡圈	RETAINER RING	1	2011-11_
9	GBT97.1-24-A0P	垫圈	WASHER	1	2011-11_
9	GBT97.1-24-A0P	垫圈	WASHER	1	2011-11_

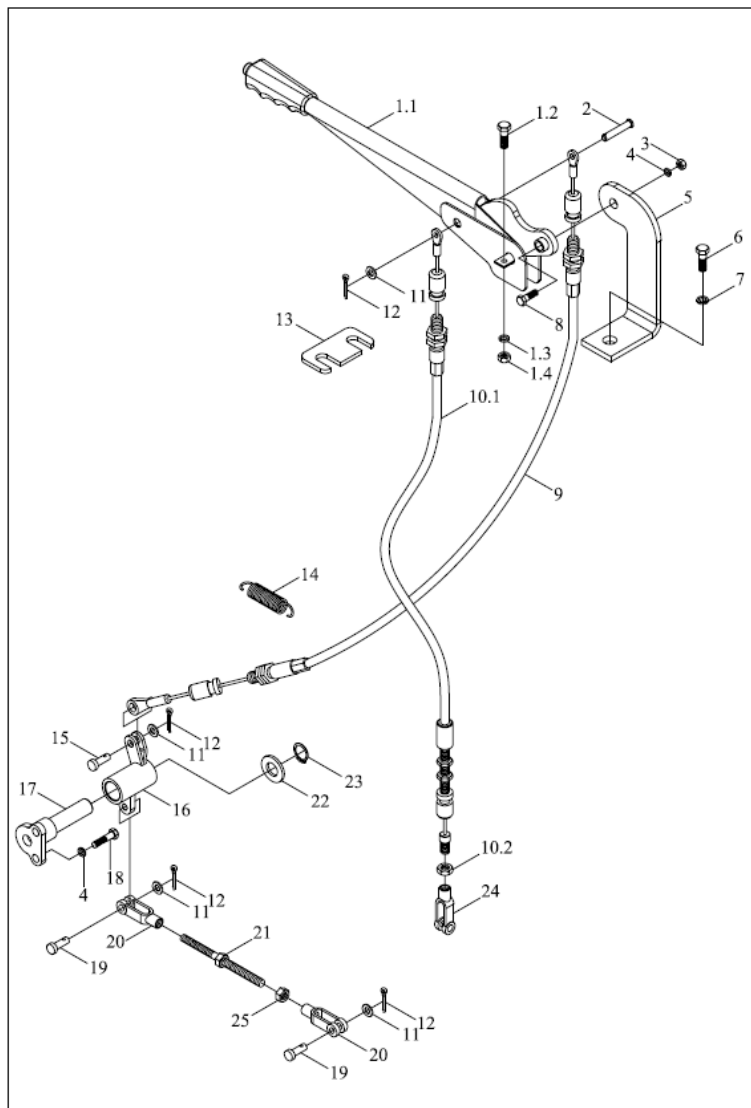
TB504.433 制动器操纵机构总成 -2



## TB504.433-2 43.3.2-制动器操纵机构总成-2 BRAKE CONTROL MECHANISM ASSEMBLY-2

标号 No.	代号 Code	名称 Description		数量 Quantity	备注 Remark
1	TA820.213D.3	手刹把手总成	HAND BRAKE HANDLE ASSEMBLY	1	
1.1	TA820.213D.3.1	手刹把手	HAND BRAKE HANDLE	1	
1.2	GBT5781-M8X30-A2L	六角头螺栓	BOLT	2	2011-11_
1.3	GBT93-8-A0P	垫圈	WASHER	2	2011-11_
1.4	GBT6170-M8-A2L	螺母	NUT	2	2011-11_
10	TB504.433.7	左制动拉线装配总成	PULL WIRE INSTALLATION ASSEMBLY OF LEFT	1	2011-11_
10	TB504.433.7	左制动拉线装配总成	BRAKE	1	2011-11_
10.1	TB504.433.7.1	左制动拉线总成	PULL WIRE INSTALLATION ASSEMBLY OF LEFT	1	2011-11_
10.2	GBT6173-M8X1-05-A2L	六角薄螺母	BRAKE	1	2011-11_
11	GBT97.1-10-A0P	平垫圈	LEFT BRAKE WIRE ASSEMBLY	5	2011-11_
			NUT		
12	GBT91-3.2X16-A0P	开口销	WASHER	5	2011-11_
13	TE250.433C-12	制动拉线上固定板		1	2011-11_
14	TB504.433-09	制动曲柄回位弹簧	PIN	1	2010-06_
14	TB504.433-02	制动曲柄回位弹簧	UPPER FIXING PLATE OF BRAKE PULL WIRE	2	2011-11_
15	GBT882-B10X24-A0P	销轴	BRAKE CRANK RETURN SPRING	1	2011-11_
			BRAKE CRANK RETURN SPRING		
16	TB504.433.5	右制动过渡轴套合件	PIN	1	2011-11_
17	TB504.433.4	右制动过渡转轴焊合		1	2011-11_
18	GBT5783-M8X25-A2L	螺栓	TRANSITION SHAFT SLEEVE UNIT OF RIGHT	2	2011-11_
19	GBT882-B10X28-A0P	销轴	BRAKE	2	2011-11_
2	GBT882-B10X40-A0P	销轴	TRANSITION ROTARY SHAFT WELDMENT OF	1	2011-11_
			RIGHT BRAKE		
20	TE250.433C-11	连接叉	BOLT	2	2011-11_
21	TB504.433.6	右制动中间拉杆焊合	PIN	1	2011-11_
22	GBT97.1-20-A0P	垫圈	PIN	1	2011-11_
22	GBT97.1-20-A0P	垫圈		1	2011-11_
23	GBT894.1-20	挡圈20	CONNECTING ROD FORK	1	2011-11_

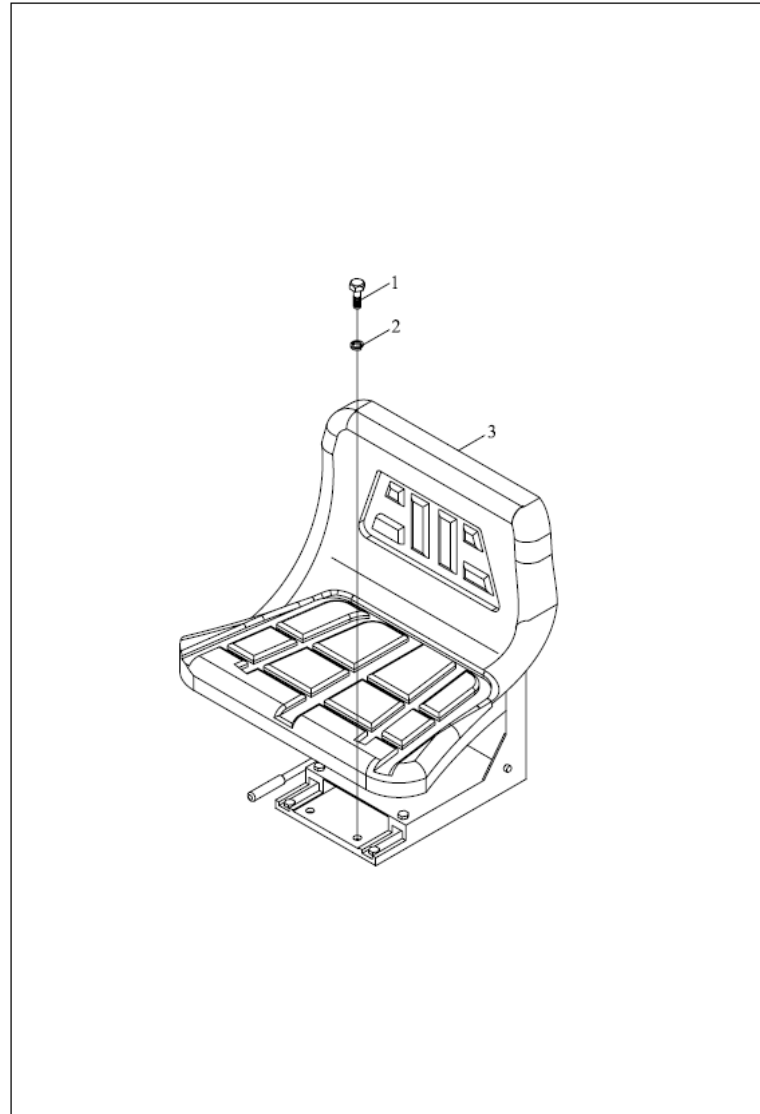
TB504.433 制动器操纵机构总成 -2



## TB504.433-2 43.3.2-制动器操纵机构总成-2(续)

标号 No.	代号 Code	名称 Description		数量 Quantity	备注 Remark
24	FT800A.43B.119	左旋拉杆叉	LEFT REVOLVING PULL ROD FORK	1	2011-11_
25	GBT6170-M10-LH-A3L	螺母	NUT	1	2011-11_
3	GBT6170-M8-A2L	螺母	NUT	1	2011-11_
4	GBT93-8-A0P	垫圈	WASHER	2	2011-11_
5	TA820.213D.1	棘轮支架焊合	RATCHET WHEEL BRACKET WELDMENT	1	
6	GBT5783-M10X25-A3L	螺栓	BOLT	1	2011-11_
7	GBT93-10-A0P	标准型弹簧垫圈	WASHER	1	2011-11_
8	GBT5783-M8 × 35-A2L	螺栓	BOLT	1	
9	TB504.433.8	右制动拉线装配总成	PULL WIRE INSTALLATION ASSEMBLY OF RIGHT BRAKE	1	2011-11_

TB400.44G 座椅安装总成

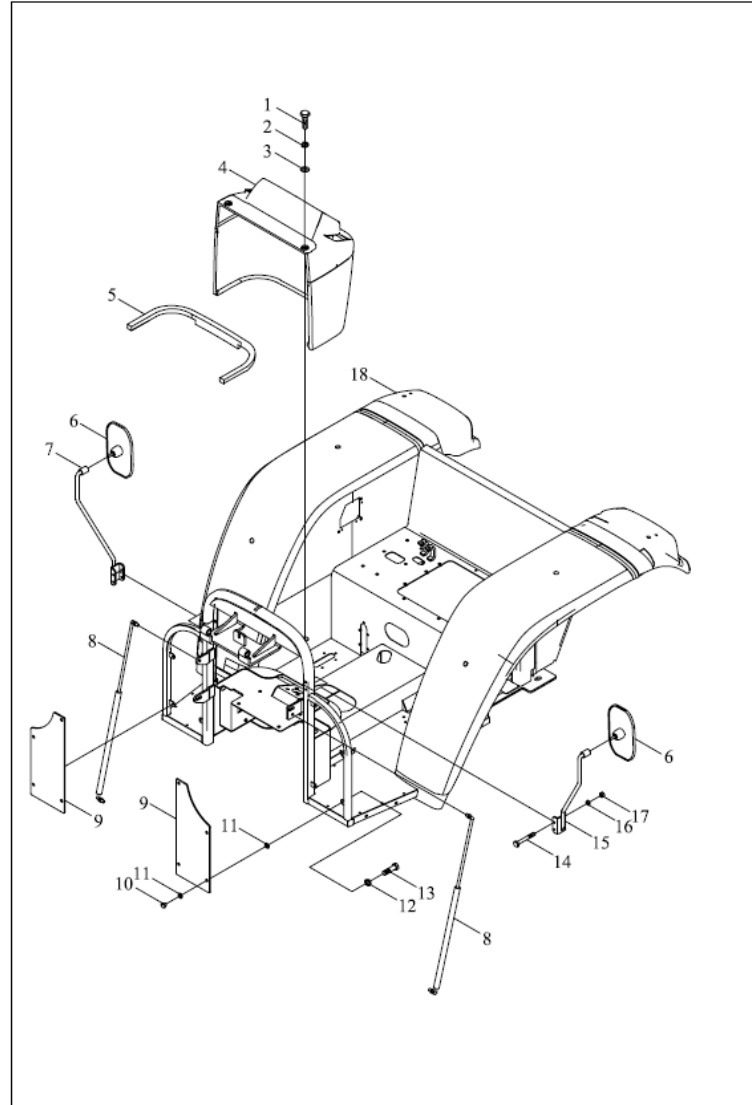


## TB400.44G 44-座椅安装总成 44SEAT INSTALLATION ASSEMBLY

标号 No.	代号 Code	名称 Description		数量 Quantity	备注 Remark
1	GBT5783-M10X20-8.8-A3L	六角头螺栓	BOLT	4	
1	GBT5783-M10X20-8.8-A3L	六角头螺栓	BOLT	4	
2	GBT93-10-A0P	标准型弹簧垫圈	WASHER	4	2011-11_
3	FT300.44B.010	座椅总成	SEAT ASSEMBLY	1	
3	TB400.44G.1	座椅总成	SEAT ASSEMBLY	1	2012-01_



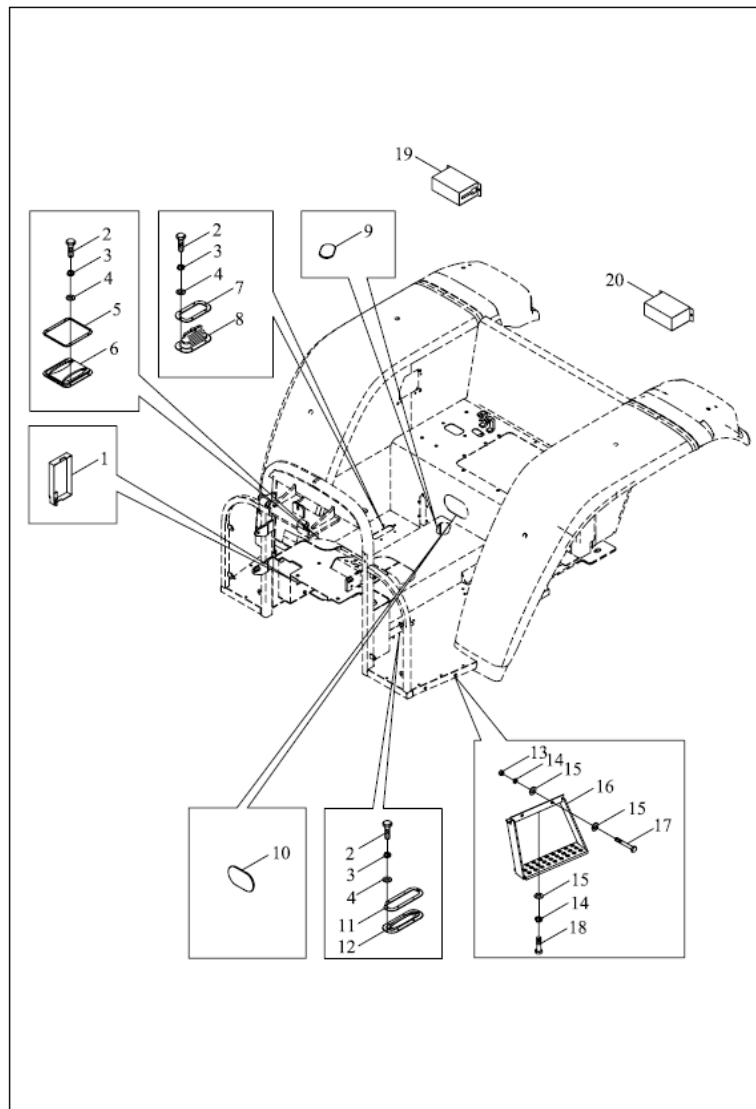
TB550.452J 地板总成-1



## TB550.452J-1 45.2.1-地板总成-1 FLOOR ASSEMBLY-1

标号 No.	代号 Code	名称 Description		数量 Quantity	备注 Remark
1	GBT5783-M6X16-8.8-A2L	六角头螺栓	BOLT	6	2011-11_
10	TA700.452B-02	塑铸螺母	CAST NUT	8	2011-11_
11	TA700.452B-03	橡胶垫圈	RUBBER WASHER	16	2011-11_
12	GBT93-5-A0P	标准型弹簧垫圈	WASHER	8	2011-11_
13	GBT5783-M5X16-8.8-A2L	六角头螺栓	BOLT	8	2011-11_
14	GBT5783-M8X65-8.8-A2L	六角头螺栓	BOLT	4	2011-11_
15	TB550.452J.4	后视镜支架焊合	REAR VIEW MIRROR BRACKET WELDMENT	1	2011-11_
16	GBT93-8-A0P	垫圈	WASHER	4	2011-11_
17	GBT6170-M8-8-A2L	I型六角螺母	I-TYPE HEXAGON NUT	4	2011-11_
18	TB550.452J.1	地板焊合	FLOOR WELDMENT	1	2011-11_
2	GBT93-6-A0P	弹簧垫圈	SPRING WASHER	6	2011-11_
3	GBT97.1-6-A0P	平垫圈	WASHER	6	2011-11_
4	TB600.45L-02	仪表台总成	DASHBOARD ASSEMBLY	1	2011-11_
5	TB550.452H-06	仪表台密封条	DASHBOARD SEAL STRIP	1	2011-11_
6	TB400.456A.3	后视镜总成	REARVIEW MIRROR ASSEMBLY	2	2011-11_
7	TB550.452J.5	右支架焊合	RIGHT BRACKET WELDMENT	1	2011-11_
7	TB550.452J.5	右支架焊合	RIGHT BRACKET WELDMENT	1	2011-11_
8	TB400B.471-30	机罩气弹簧	BONNET PNEUMATIC SPRING	2	2011-11_
9	TB550.452J-01	前挡风玻璃	FRONT WINDSHIELD	2	2011-11_

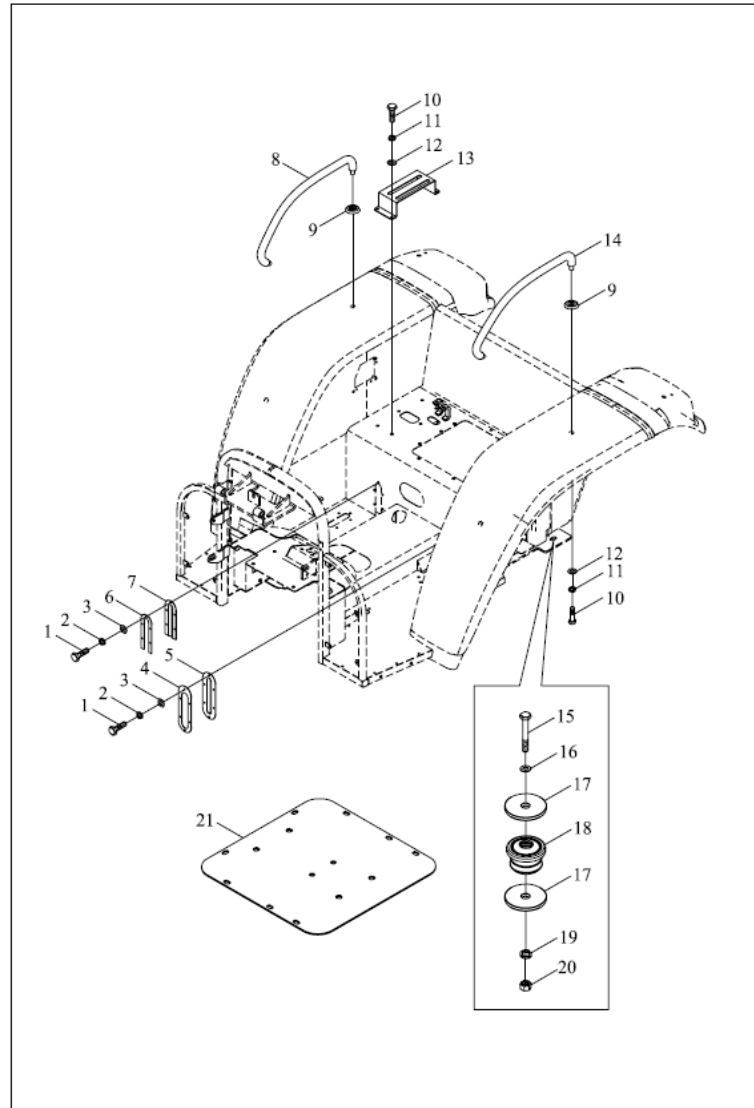
TB550.452J 地板总成-2



## TB550.452J-2 45.2.2-地板总成-2 FLOOR ASSEMBLY-2

标号 No.	代号 Code	名称 Description		数量 Quantity	备注 Remark
1	TB550.452H-07	电器盒盖	ELECTRICAL BOX COVER	1	2011-11_
10	FT300.47.398	后地板盖	REAR FLOOR COVER	1	2011-11_
11	FT300.45.134	离合踏板防尘罩压条	CLUTCH PEDAL DUSTPROOF BONNET PRESSURE	1	2011-11_
12	FT300.45.133	离合踏板防尘罩	STRIP	1	2011-11_
13	GBT6170-M10-8-A3L	1型六角螺母	CLUTCH PEDAL DUSTPROOF BONNET NUT	4	2011-11_
14	GBT93-10-A0P	标准型弹簧垫圈		6	2011-11_
15	GBT97.1-10-A0P	平垫圈	WASHER	9	2011-11_
16	TB550.452J.2	脚踏总成	WASHER	2	2011-11_
17	GBT5783-M10X55-8.8-A2L	六角头螺栓	PEDAL ASSEMBLY	4	2011-11_
18	GBT5783-M10X30-8.8-A3L	六角头螺栓	BOLT BOLT	2	2011-11_
19	TB450.45A.1	左后灯挡板焊合		1	2011-11_
2	GBT5783-M5X16-8.8-A2L	六角头螺栓	LEFT REAR LAMP BAFFLE WELDMENT	16	2011-11_
20	TB450.45A.2	右后灯挡板焊合	BOLT	1	2011-11_
3	GBT93-5-A0P	标准型弹簧垫圈	RIGHT REAR LAMP BAFFLE WELDMENT	16	2011-11_
4	GBT97.1-5-A0P	垫圈	WASHER WASHER	16	2011-11_
5	TB604.452C-02	制动密封套压板		1	2011-11_
6	TB604.452C-01	制动踏板密封套	PRESSURE PLATE OF BRAKE SEAL BUSH	1	2011-11_
7	TB550.452J-02	压板	BRAKE PEDAL SEAL BUSH	1	2011-11_
8	TB550.452H-16	密封套	PRESSURE PLATE	1	2011-11_
9	FT300.47.360	密封套	SEAL SLEEVE SEAL SLEEVE	1	2011-11_

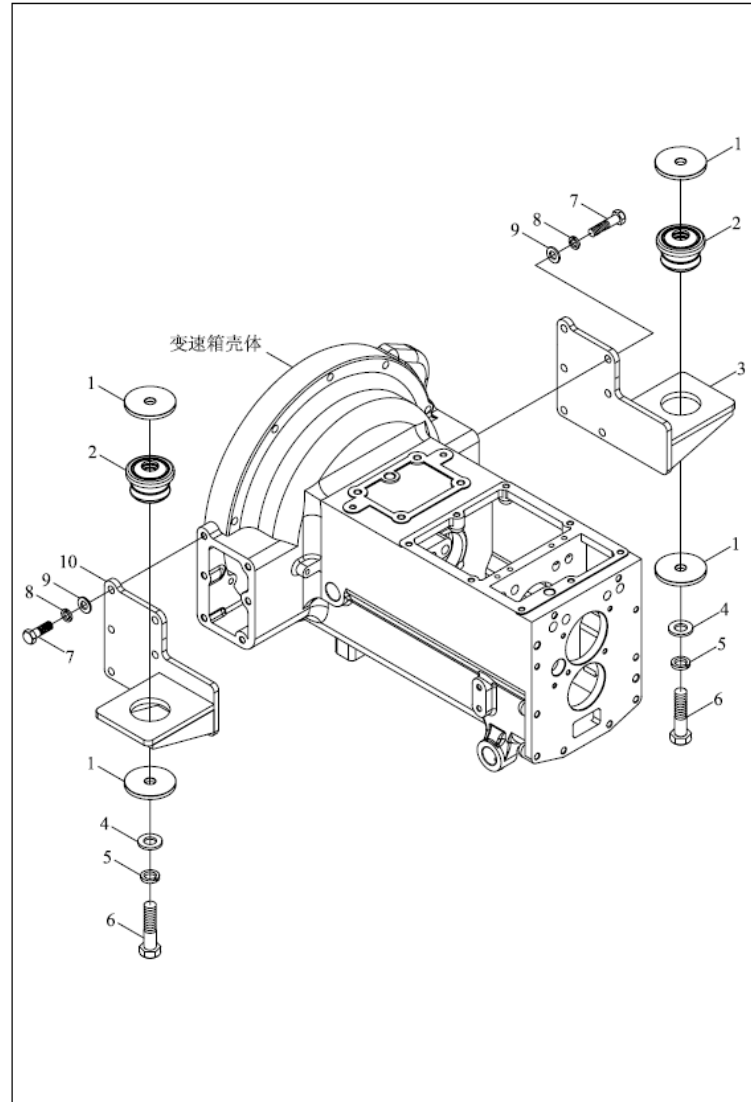
TB550.452J 地板总成-3



## TB550.452J-3 45.2.3-地板总成-3 FLOOR ASSEMBLY-3

标号 No.	代号 Code	名称 Description		数量 Quantity	备注 Remark
1	GBT5783-M5X16-8.8-A2L	六角头螺栓	BOLT	11	2011-11_
10	GBT5783-M8X20-8.8-A2L	六角头螺栓	BOLT	8	2011-11_
11	GBT93-8-A0P	垫圈	WASHER	8	2011-11_
12	GBT97.1-8-A0P	平垫圈	WASHER	8	2011-11_
13	TB550.452H-08	折弯板	BENDING BOARD	1	2011-11_
14	FT300.47.035	左上车扶手	LEFT RAIL	1	2011-11_
16	GBT97.1-16-A0P	垫圈	WASHER	2	2011-11_
17	TB400.457B-02	挡圈	RETAINER RING	4	2011-11_
18	TB400.457B-01	减震块	ABSORBER	2	2011-11_
19	GBT93-16-A0P	弹簧垫圈	SPRING WASHER	2	2011-11_
2	GBT93-5-A0P	标准型弹簧垫圈	WASHER	11	2011-11_
20	GBT6170-M16-8-A3L	1型六角螺母	NUT	2	2011-11_
21	TB550.452H.5	座椅固定板焊合	SEAT FIXING PLATE WELDMENT	1	2011-11_
3	GBT97.1-5-A0P	垫圈	WASHER	11	2011-11_
4	TB550.452H-18	密封套压板2	SEAL SLEEVE PRESSURE PLATE 2	1	2011-11_
5	TB550.452H-17	密封套2	SEAL SLEEVE 2	1	2011-11_
6	TB550.452H-14	密封套压板1	SEAL SLEEVE PRESSURE PLATE 1	1	2011-11_
7	TB550.452H-15	密封套	SEAL SLEEVE	1	2011-11_
8	FT300.47.036	右上车扶手	RIGHT HANDLE	1	2011-11_
9	FT300.47.362	扶手垫圈合件	ARMREST WASHER UNIT	4	2011-11_

TB400.457B 前连接总成

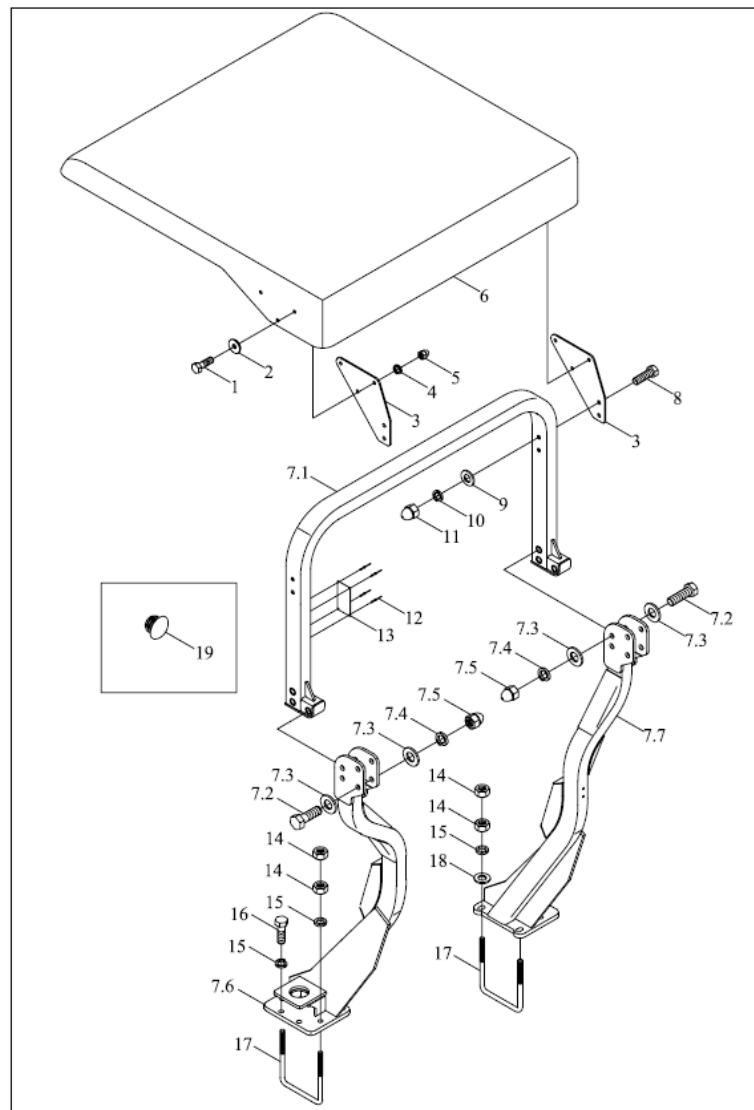


## TB400.457B 45.7-前连接总成 45.7-FRONT CONNECTING ASSEMBLY

标号 No.	代号 Code	名称 Description		数量 Quantity	备注 Remark
1	TB400.457B-02	挡圈	RETAINER RING	4	2009-12_
10	TB400.457B.1	左前连接焊合	LEFT FRONT CONNECTION WELDMENT	1	2011-11_
2	TB400.457B-01	减震块	ABSORBER	2	2009-12_
3	TB400.457B.2	右前连接焊合	RIGHT FRONT CONNECTION WELDMENT	1	2011-11_
4	GBT97.1-16-A0P	垫圈	WASHER	2	2011-11_
5	GBT93-16-A0P	弹簧垫圈	SPRING WASHER	2	2011-11_
6	GBT5783-M16X80-8.8-A3L	六角头螺栓	BOLT	2	2011-11_
7	GBT5783-M12X35-8.8-A3L	六角头螺栓	BOLT	12	2011-11_
8	GBT93-12-A0P	弹簧垫圈	SPRING WASHER	12	2011-11_
9	GBT97.1-12-A0P	平垫圈	WASHER	10	2011-11_



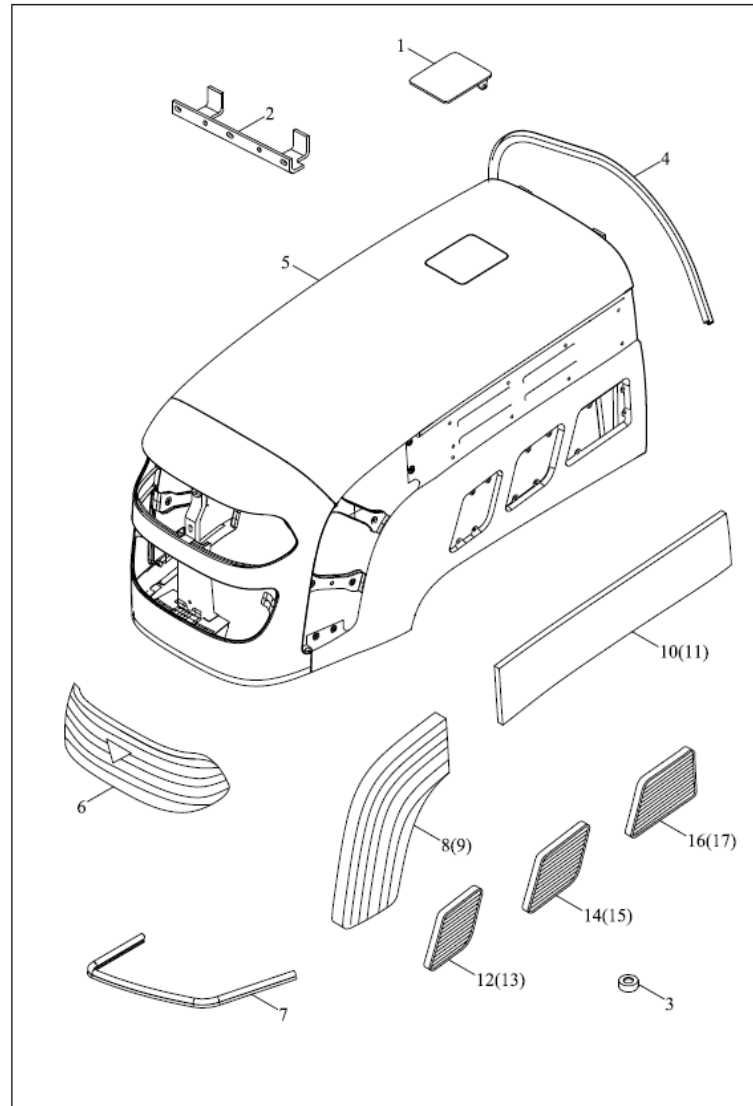
TB400.46N 安全架安装总成



TB400.46N 46-安全架安装总成 46-SAFETY FRAME INSTALLATION ASSEMBLY

标号 No.	代号 Code	名称 Description		数量 Quantity	备注 Remark
1	GBT5783-M10X30-8.8-A3L	六角头螺栓	BOLT	6	2011-11_
10	GBT93-12-A0P	弹簧垫圈	SPRING WASHER	4	2011-11_
12	GBT12618-3X15	开口型扁圆头抽芯铆钉	RIVET	4	2011-11_
13	TB400.46H-01	OECD铭牌	OECD NAMEPLATE	1	2011-11_
14	GBT6170-M14-8-A3L	I型六角螺母	HEXAGON NUT	16	2011-11_
15	GBT93-14-A0P	弹簧垫圈	SPRING WASHER	12	2011-11_
15	GBT93-14-A0P	弹簧垫圈	SPRING WASHER	12	2011-11_
16	GBT5783-M14X40-8.8-A3L	六角头螺栓	BOLT	4	2011-11_
17	FT400.46.350	U型螺栓	U BOLT	4	2011-11_
18	GBT97.1-14-A0P	垫圈14-A0P	WASHER	4	2011-11_
19	TB400.46C-01	堵盖	PLUG COVER	8	2011-11_
2	FT400.46.021	垫圈合件	WASHER UNIT	6	2011-11_
3	FT300.46.106	遮阳棚固定板	SHADOW LOCKING PLATE	2	2011-11_
4	GBT93-10-A0P	标准型弹簧垫圈	WASHER	6	2011-11_
6	TB400.46E.2	遮阳棚总成	SHADOW ASSEMBLY	1	2011-11_
7	TB400.46M.1	安全架总成	SAFETY FRAME ASSEMBLY	1	2011-11_
7.1	TB400.46D.1.3	上梁焊合	UPPER BEAM WELDMENT	1	2011-11_
7.2	GBT5782-M16X90-10.9-A2L	六角头螺栓	BOLT	6	2011-11_
7.3	GBT97.1-16-A0P	垫圈	WASHER	12	2011-11_
7.4	GBT93-16-A0P	弹簧垫圈	SPRING WASHER	6	2011-11_
7.6	TB400.46M.1.1	左支撑焊合	LEFT BRACKET WELDMENT	1	2011-11_
7.7	TB400.46M.1.2	右支撑焊合	RIGHT SUPPORTING WELDMENT	1	2011-11_
8	GBT5782-M12X70-8.8-A2L	六角头螺栓	BOLT	4	2011-11_
9	GBT97.1-12-A0P	平垫圈	WASHER	4	2011-11_

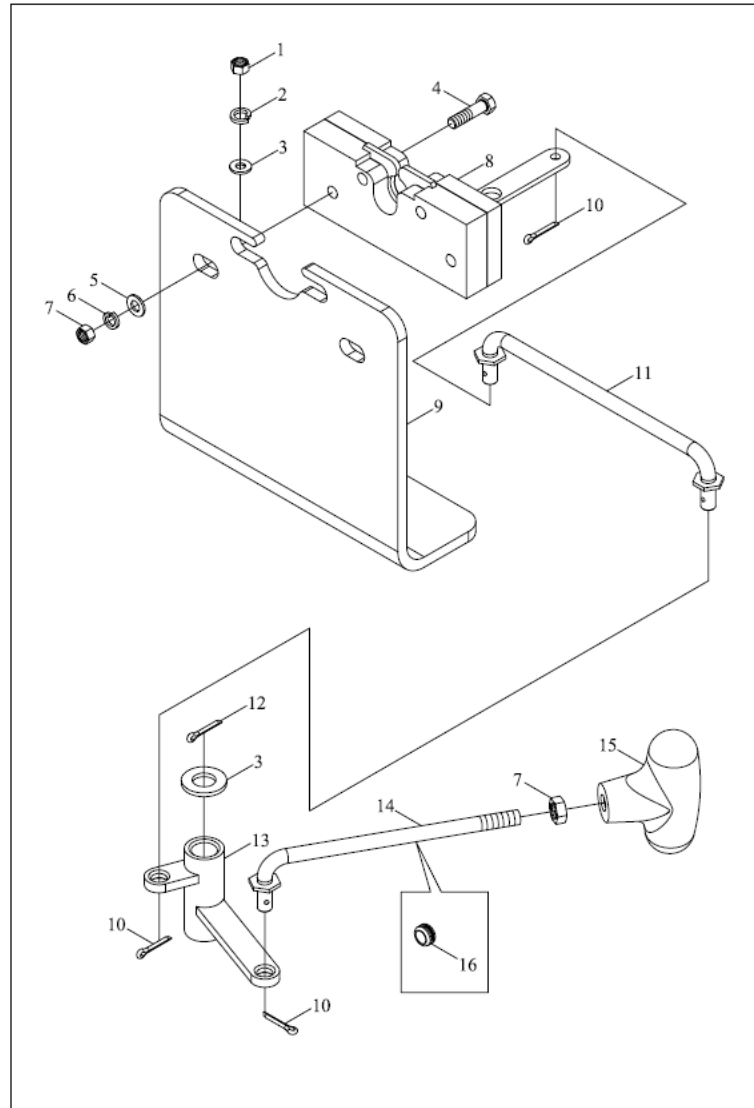
TB400B.471A 机罩总成



## TB400B.471A 47.1-机罩总成 47.1-BONNET ASSEMBLY

标号 No.	代号 Code	名称 Description		数量 Quantity	备注 Remark
1	TB400B.471.3	加油口盖总成	FILLER CAP	1	2012-10_
1	TB400B.471.2	加油盖总成	OIL FILLING COVER ASSEMBLY	1	2011-11_
10	TB400B.471-04	左后装饰件	LEFT REAR DECORATION	1	2011-11_
11	TB400B.471-05	右后装饰件	RIGHT REAR DECORATION PART	1	2011-11_
12	TB400B.471-06	左前下栅格	LEFT FRONT LOWER GRID	1	2011-11_
13	TB400B.471-07	右前下栅格	RIGHT FRONT LOWER GRID	1	2011-11_
14	TB400B.471-08	左中下栅格	LEFT MIDDLE LOWER GRID	1	2011-11_
15	TB400B.471-09	右中下栅格	RIGHT MIDDLE LOWER GRID	1	2011-11_
16	TB400B.471-10	左后下栅格	LEFT REAR LOWER GRID	1	2011-11_
17	TB400B.471-11	右后下栅格	RIGHT REAR LOWER GRID	1	2011-11_
2	TB400B.471-15	铰链上座	HINGE UPPER SEAT	2	2011-11_
3	TB400B.471-18	垫块	PAD BLOCK	24	2011-11_
4	TB400B.471-14	机罩密封条	BONNET SEAL STRIP	1	2011-11_
5	TB400B.471.1	机罩焊合	BONNET WELDMENT	1	2011-11_
6	TB400B.471-01	前脸栅格	FRONT GRID	1	2011-11_
7	TB400B.471-17	前下缓冲胶条	FRONT LOWER CUSHION RUBBER PIECE	1	2011-11_
8	TB400B.471-02	左前栅格	LEFT FRONT GRID	1	2011-11_
9	TB400B.471-03	右前栅格	RIGHT FRONT GRID	1	2011-11_

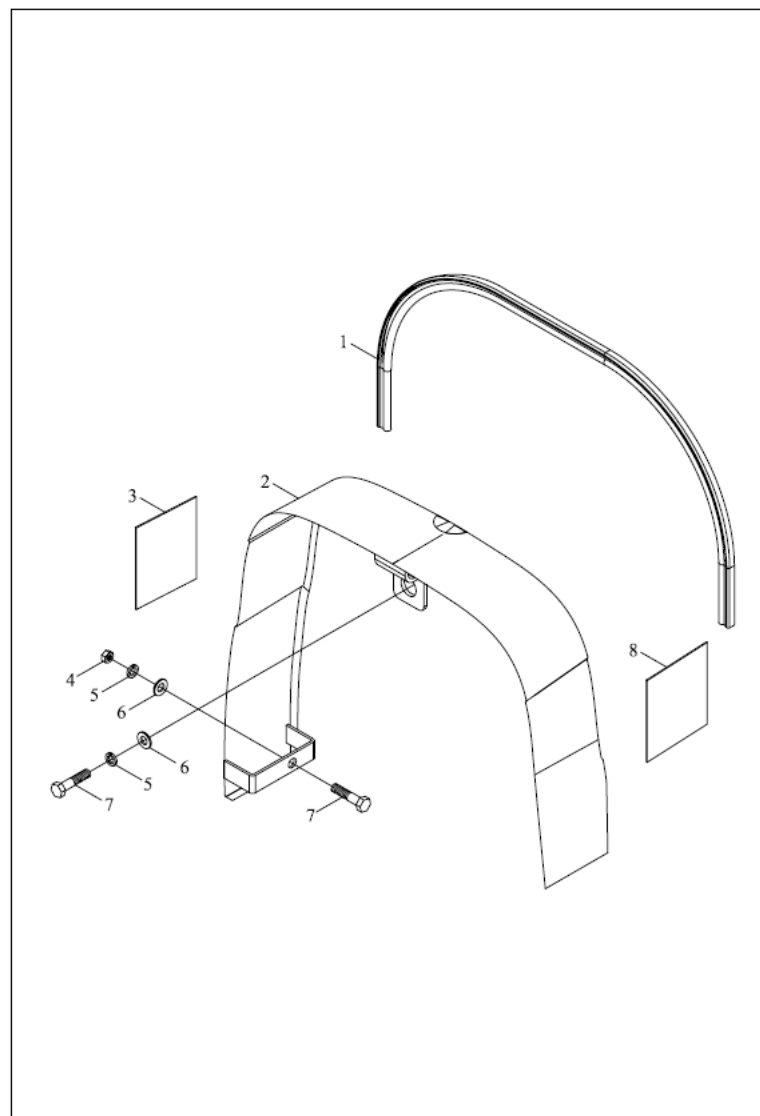
TB400B.473 机罩锁紧装置总成



TB400B.473 47.3-机罩锁紧装置总成 47.3-BONNET LOCKING DEVICE ASSEMBLY

标号 No.	代号 Code	名称 Description		数量 Quantity	备注 Remark
0	TB400B.473.4	拉杆焊合	WELDED PUSHING ROD	1	2011-08_
1	GBT6170-M8-A2L	螺母	NUT	3	2011-11_
10	GBT91-1.6X16-A0P	开口销	PIN	3	2011-11_
11	TB400B.473.2	拉杆焊合	WELDED PUSHING ROD	1	2011-08_
12	GBT91-2.5X25-A0P	开口销	PIN	1	2011-11_
13	TB400B.473.3	摇臂焊合	ROCKER WELDMENT	1	2011-08_
14	FT800A.47.098	拉杆焊合(二)	PULL ROD WELDMENT (2)	1	2011-11_
15	FT800A.47.056	手柄总成	HANDLE ASSEMBLY	1	2011-11_
16	TB450.473-02	胶圈	RUBBER RING	1	2008-08_
2	GBT93-8-A0P	垫圈	WASHER	3	2011-11_
3	GBT97.1-8-A0P	平垫圈	WASHER	3	2011-11_
4	GBT5783-M6X35-8.8-A1L	六角头螺栓	BOLT	4	2004-01_
5	GBT97.1-6-A0P	平垫圈	WASHER	7	2011-11_
6	GBT93-6-A0P	弹簧垫圈	SPRING WASHER	4	2011-11_
7	GBT6170-M6-A2L	螺母	NUT	5	2011-11_
8	FT800.47.127	机罩锁总成	BONNET LOCK ASSEMBLY	1	2004-01_
8	TG1204.474.4	机罩锁	BONNET LOCK	1	2011-08_
9	TB400B.473-01	机罩锁板	BONNET LOCK PLATE	1	2011-08_

TB550.477E 机罩加长板总成

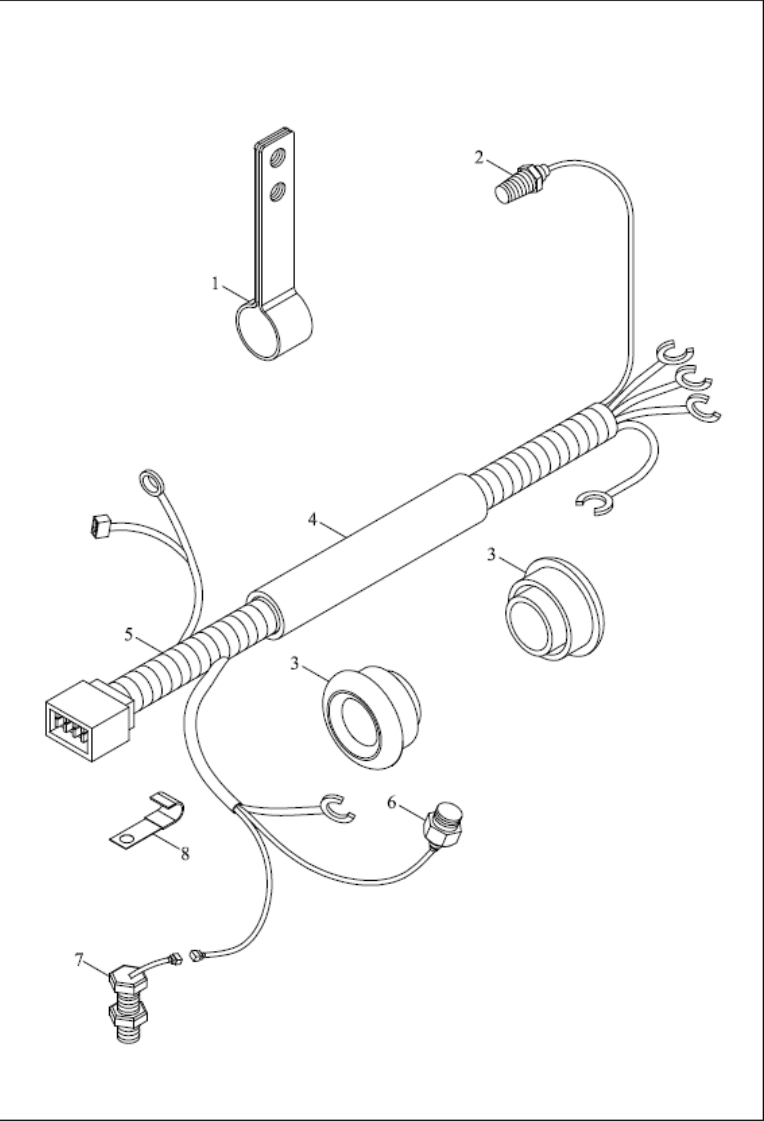


## TB550.477E 47.7-机罩加长板总成 47.7-BONNET EXTENSION PLATE ASSEMBLY

标号 No.	代号 Code	名称 Description		数量 Quantity	备注 Remark
1	TB550.477B-03	加长板密封条	EXTENSION PLATE SEAL PIECE	1	2010-05_
1	TB400B.471-14	机罩密封条	BONNET SEAL STRIP	1	2004-01_
2	TB550.477E.1	机罩加长板焊合	BONNET EXTENSION PLATE WELDMENT	1	2011-11_
3	TB550.477D-02	右装饰胶条	RIGHT DECORATION ADHESIVE STRIP	1	2011-11_
4	GBT6170-M8-A2L	螺母	NUT	2	2011-11_
5	GBT93-8-A0P	垫圈	WASHER	3	2011-11_
6	GBT97.1-8-A0P	平垫圈	WASHER	3	2011-11_
7	GBT5781-M8X30-A2L	六角头螺栓	BOLT	3	2011-11_
8	TB550.477D-01	左装饰胶条	LEFT DECORATION ADHESIVE PIECE	1	2011-11_



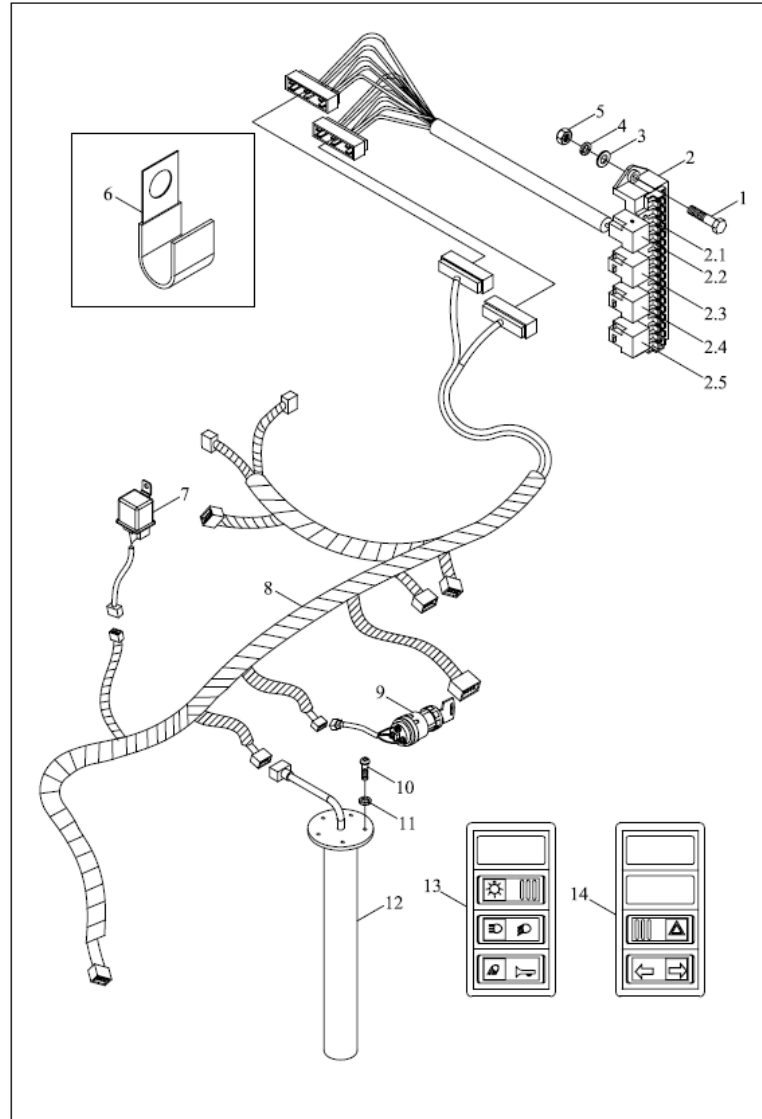
TB450.481H Engine wire harness mounting assembly



## TB450.481H 48.1-发动机线束安装总成 48.1-ENGINE HARNESS INSTALLATION ASSEMBLY

标号 No.	代号 Code	名称 Description		数量 Quantity	备注 Remark
1	FT400.48B.1-01	钢管固定夹	FIXING CLIP OF STEEL PIPE	2	2011-11_
2	FT300.48.072	水温传感器	WATER TEMPERATURE SENSOR	1	2011-11_
3	FT800.48L.107	护线套	SLEEVE	2	2011-11_
4	FT300.48P.102	线束套管	HARNESS SLEEVE	1	2011-11_
5	TB450.481H.1	发动机线束总成	ENGINE HARNESS ASSEMBLY	1	2011-11_
6	FT300.48.073a	机油压力报警器	OIL PRESSURE SENSOR	1	2011-11_
7	FT300.48.074	转速传感器	RPM SENSOR	1	2011-11_
8	FT304.48L.203	线束紧固夹	HARNESS TIGHTEN CLIP	2	2011-11_

TB450.482H 车身线束安装总成



## TB450.482H 48.2-车身线束安装总成 48.2-BODY HARNESS INSTALLATION ASSEMBLY

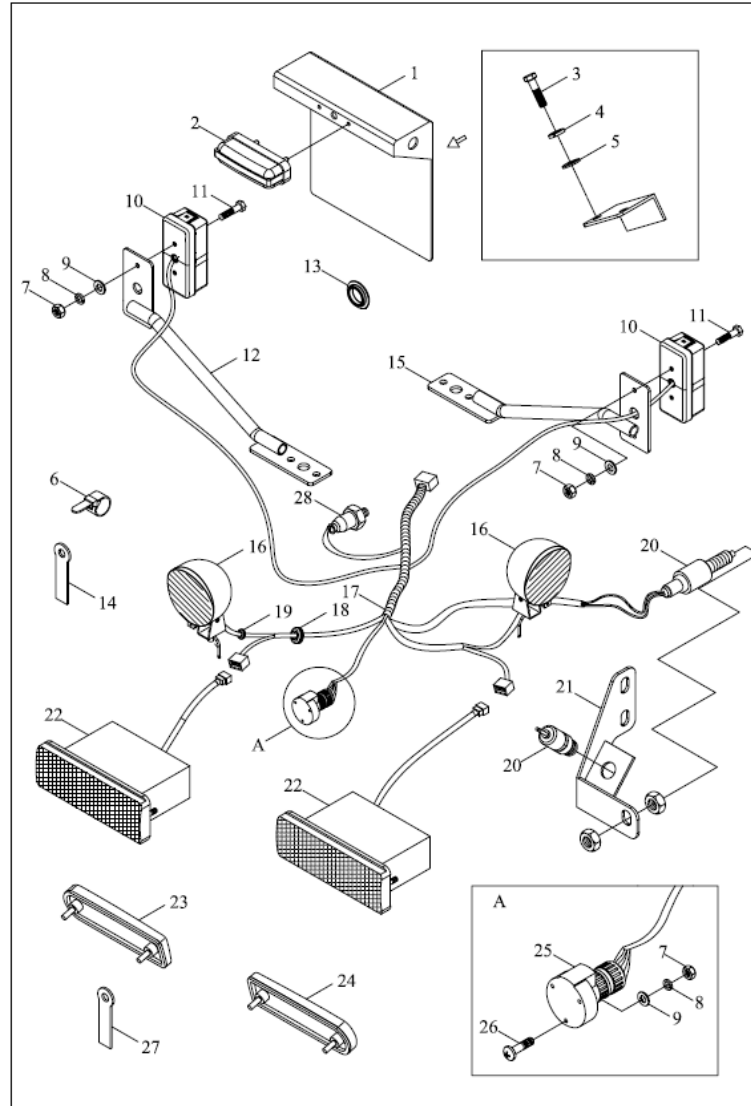
标号 No.	代号 Code	名称 Description		数量 Quantity	备注 Remark
1	GBT5783-M6x16-A2L	螺栓	BOLT	2	2011-11_
10	GBT818-M4X10-A2L	十字槽盘头螺钉	SCREW	5	2011-11_
11	GBT93-4-A0P	标准型弹簧垫圈	WASHER	5	2011-11_
12	FT300.48.071a	油量传感器	OIL QUANTITY SENSOR	1	2011-11_
13	FT300.48D.2.3	左翘板开关	LEFT PADDLE SWITCH	1	2009-12_
13	TB450.482.4	左翘板开关	LEFT PADDLE SWITCH	1	2012-12_
14	TB450.482N.4	右翘板开关	RIGHT BUTTON SWITCH	1	2012-12_
14	TB450.482.1	右翘板开关	RIGHT BUTTON SWITCH	1	2009-12_
2	TB450.482H.2	中央电器盒总成	CENTRAL ELECTRICAL BOX ASSEMBLY	1	2010-02_
2.12	TD9600000800	保险片	FUSE	4	
2.13	TD9600000900	保险片	FUSE	3	2013-04_
2.14	TD9600001200	保险片	FUSE	2	2013-04_
2.2	FT300.48.513	电子闪光灯	ELECTRIC FLASH	1	2011-11_
2.3	FT300.48.512	主电源继电器	MAIN POWER RELAY	1	2011-11_
2.4	FT300.48D.2.2.2	预热继电器	PREHEATING RELAY	1	2011-11_
2.5	FT300.48D.2.2.1	电压调节器	VOLTAGE ADJUSTER	1	2011-11_
2.5	FT300.48D.2.2.1	电压调节器	VOLTAGE ADJUSTER	1	2011-11_
3	GBT97.1-6-A0P	平垫圈	WASHER	2	2011-11_
4	GBT93-6-A0P	弹簧垫圈	SPRING WASHER	2	2011-11_
5	GBT6170-M6-A2L	螺母	NUT	2	2011-11_
6	FT65.48.095	线束紧固夹(一)	HARNESS TIGHTEN CLIP (1)	1	2011-11_
7	TB450.482.2	启动继电器	STARTING RELAY	1	2009-12_
8	TB450.482J.1	车身线束总成	BODY HARNESS ASSEMBLY	1	2011-11_
9	FT300.48.064	点火锁	IGNITION LOCK	1	2011-11_



## TB450.483B 48.3-前灯线束安装总成 48.3-FRONT LAMP HARNESS INSTALLATION ASSEMBLY

标号 No.	代号 Code	名称 Description		数量 Quantity	备注 Remark
1	TB404.483.1	前灯线束总成	FRONT LAMP HARNESS ASSEMBLY	1	2011-11_
10	GBT93-8-A0P	垫圈	WASHER	2	2011-11_
11	GBT5783-8X16-A2L	六角头螺栓	BOLT	2	2011-11_
12	GBT818-M5X14-A2L	十字槽盘头螺钉	SCREW	1	2011-11_
13	TB400.483-01	线束卡扣	HARNESS CLAMP	1	2011-11_
14	GBT97.1-5-A0P	垫圈	WASHER	1	2011-11_
15	GBT93-5-A0P	标准型弹簧垫圈	WASHER	1	2011-11_
16	GBT6170-M5-A2L	1型六角螺母	NUT	1	2011-11_
2	FT65.48.097	线束固定夹(二)	HARNESS LOCKING CLAMP (2)	6	2011-11_
3	GBT6170-M6-A2L	螺母	NUT	3	2011-11_
4	GBT93-6-A0P	弹簧垫圈	SPRING WASHER	3	2011-11_
5	GBT97.1-6-A0P	平垫圈	WASHER	3	2011-11_
6	TD800.483B.3	电喇叭	ELECTRIC HORN	1	2011-11_
7	GBT5783-M6x16-A2L	螺栓	BOLT	1	2011-11_
8	TB404.483.2	前大灯总成	FRONT BIG LAMP ASSEMBLY	1	2011-11_
9	GBT97.1-8-A0P	平垫圈	WASHER	2	2011-11_

TB500.484C 后灯线束安装总成

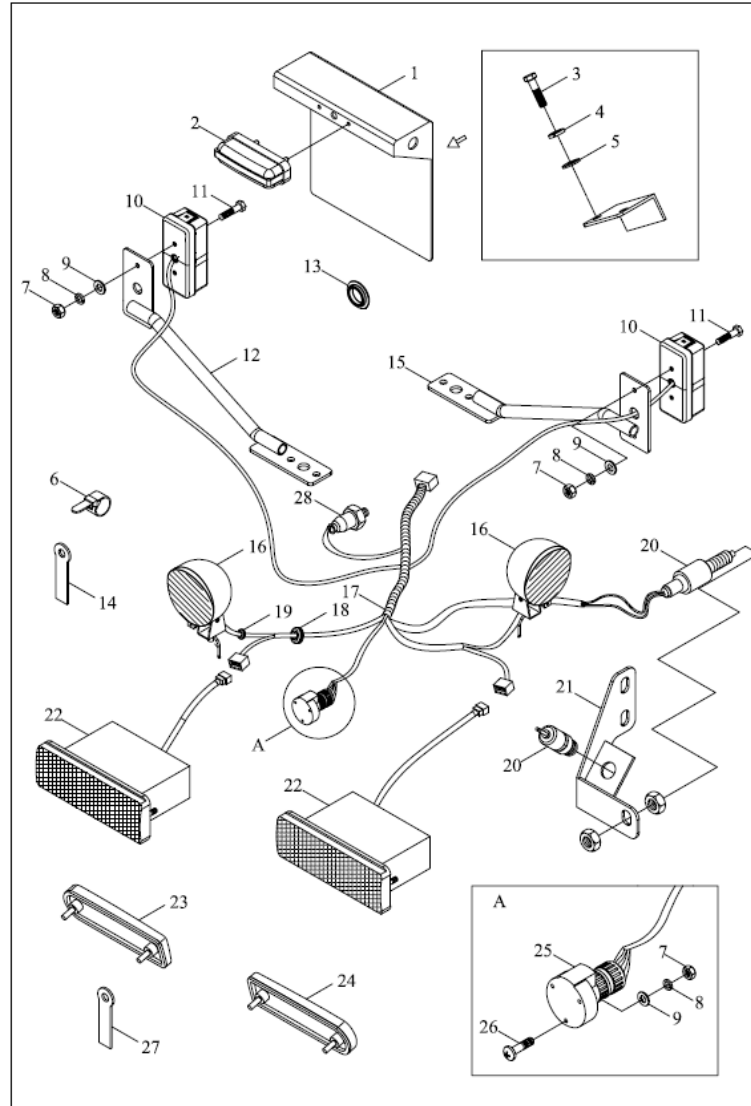


## TB500.484C 48.4-后灯线束安装总成 48.4-REAR LAMP HARNESS INSTALLATION ASSEMBLY

标号 No.	代号 Code	名称 Description	数量 Quantity	备注 Remark
1	TB500.484C.2	牌照灯安装支架焊合	1	2011-11_
10	TB450.484E.4	单面灯总成	2	2011-11_
11	GBT5783-M5X20-A2L	六角头螺栓	4	2011-11_
12	TB500.484C.3	位置灯支架安装总成(右)	1	2011-11_
13	TD800.484B-03	过线胶圈	1	2011-11_
14	TA600.486-01	线束紧固夹	2	2011-11_
15	TB500.484C.4	位置灯支架安装总成(左)	1	2011-11_
16	FT300.48.053a	后照灯	2	2011-11_
17	TB500.484C.1	后灯线束总成	1	2011-11_
18	FT65.48.093	穿线胶圈(一)	2	2011-11_
19	FT65.48.094	穿线胶圈(二)	2	2011-11_
2	TD800.484B.3	牌照灯总成	1	2011-11_
20	FT300.48.033	制动灯开关	2	2011-11_
21	FT300.48C.211	制动开关安装板	1	2011-11_
22	TB404.484.3	后尾灯总成	2	2011-11_
23	TB450.484E.5	左反射器	1	2011-11_
24	TB450.484E.6	右反射器	1	2011-11_
25	TD800.484B.6	后挂车插座总成	1	2011-11_
26	GBT818-M5X35-A1L	十字槽盘头螺钉	3	2011-11_
27	FT65.48.097	线束固定夹(二)	2	2011-11_
28	TD800.484B.7	气压报警器	1	2011-11_
3	GBT5783-M8X16-A2L	螺栓	6	2011-11_
4	GBT93-8-A0P	垫圈	6	2011-11_
5	GBT97.1-8-A0P	平垫圈	6	2011-11_
6	3203505D9-L	扎带	5	2011-11_



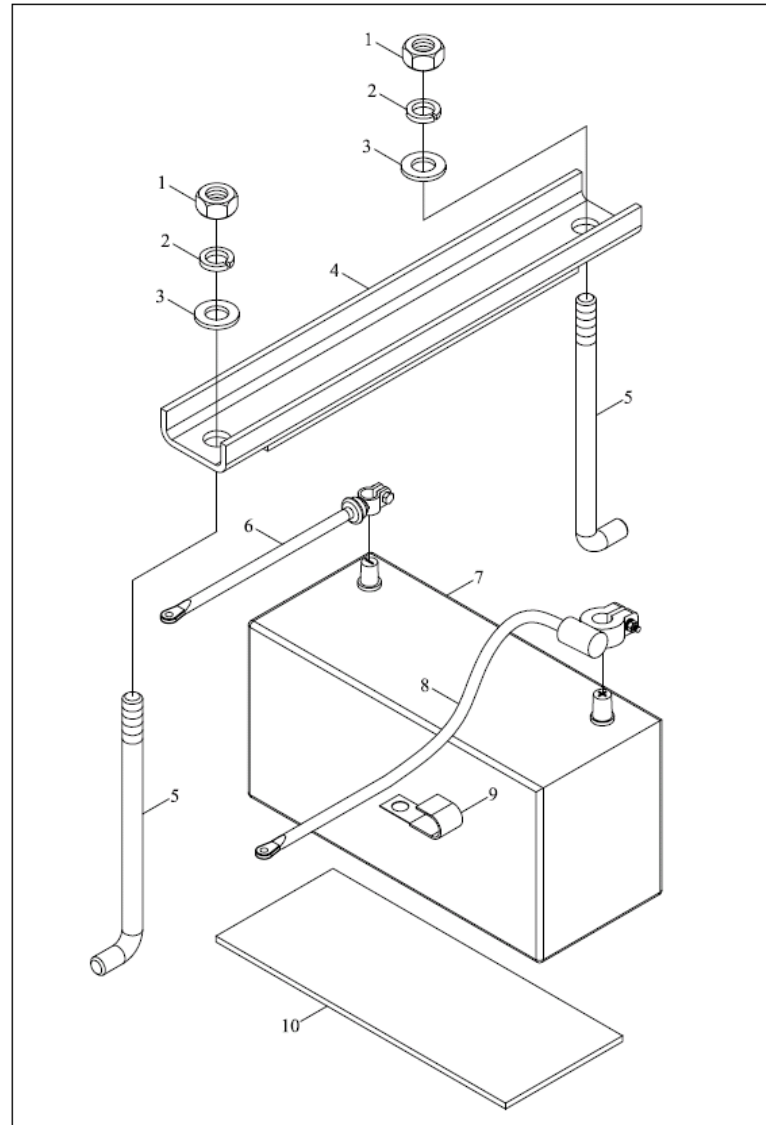
TB500.484C 后灯线束安装总成



## TB500.484C 48.4-后灯线束安装总成(续)

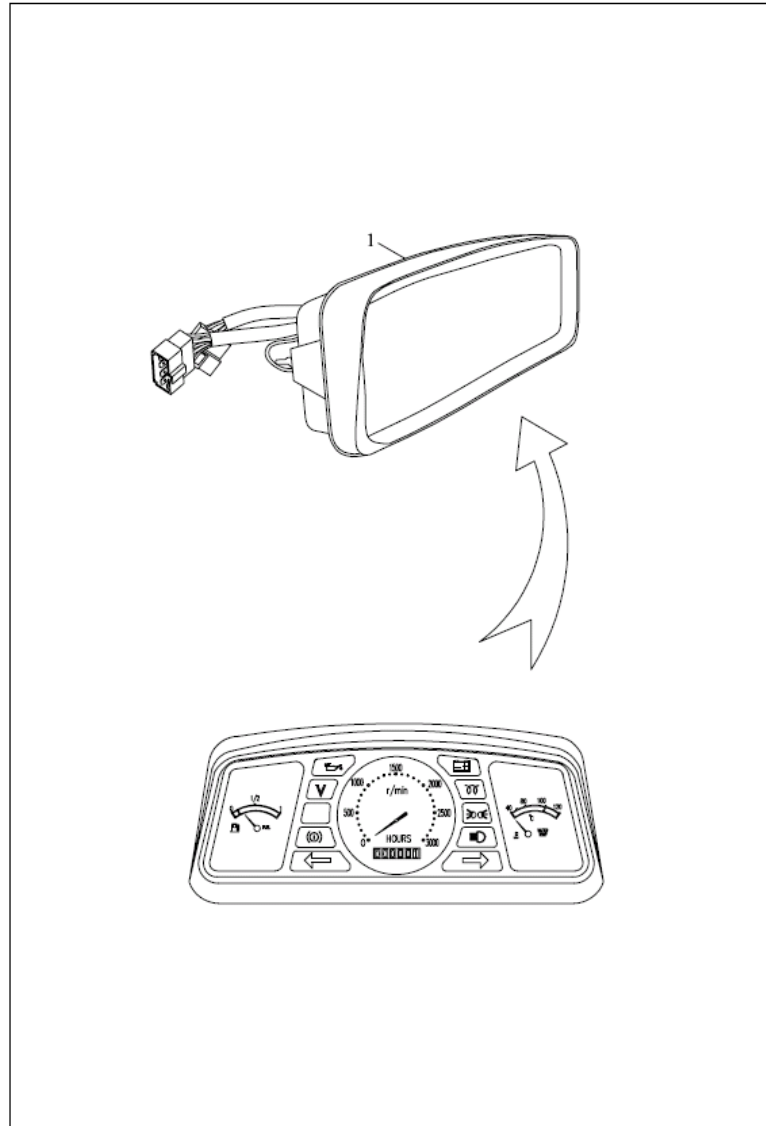
标号 No.	代号 Code	名称 Description		数量 Quantity	备注 Remark
7	GBT6170-M5-A2L	1型六角螺母	NUT	11	2011-11_
8	GBT93-5-A0P	标准型弹簧垫圈	WASHER	11	2011-11_
9	GBT97.1-5-A0P	垫圈	WASHER	11	2011-11_

TB450.485A Battery mounting assembly



## TB450.485A 48.5-蓄电池安装总成 48.5-BATTERY INSTALLATION ASSEMBLY

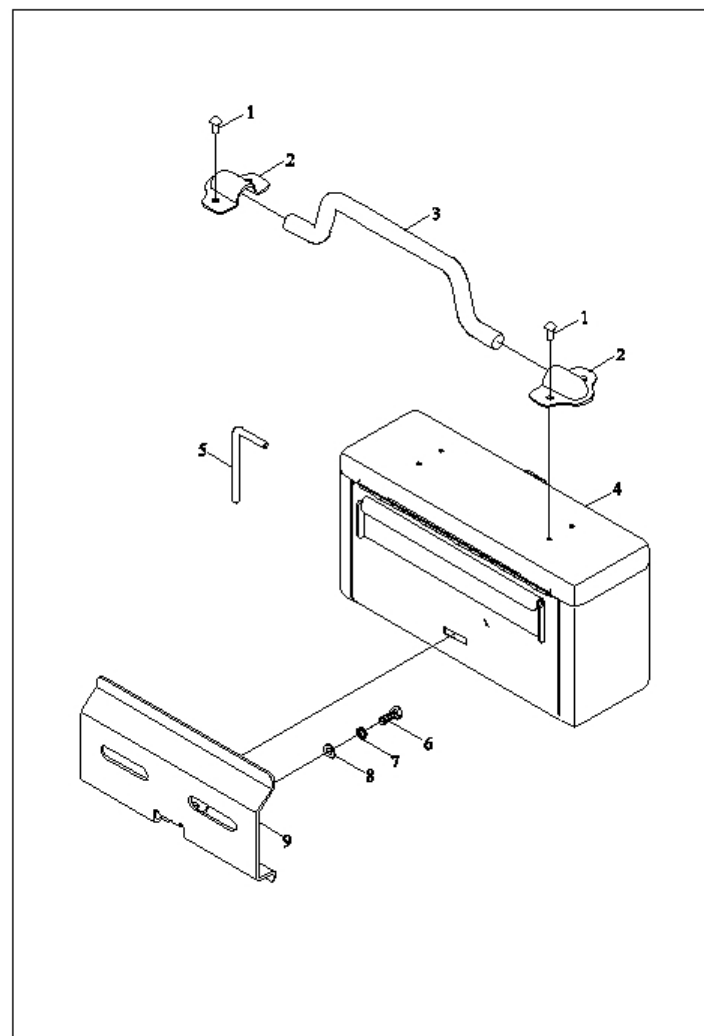
标号 No.	代号 Code	名称 Description		数量 Quantity	备注 Remark
1	GBT6170-M8-A2L	螺母	NUT	2	2011-11_
10	TB450.485.1	蓄电池减震垫	BATTERY SHOCK ABSORPTION MAT	2	2010-08_
10	FT450.48.102	蓄电池减震垫	BATTERY SHOCK ABSORPTION MAT	1	2004-01_
2	GBT93-8-A0P	垫圈	WASHER	2	2011-11_
3	GBT97.1-8-A0P	平垫圈	WASHER	2	2011-11_
4	TG1204.485-02	电瓶压板	BATTERY PRESS PLATE	1	2011-11_
5	TG1204.485-01	电瓶U型拉杆	U-TYPE PULL ROD OF BATTERY	2	
6	TB400.485A.2	电瓶搭铁线	BATTERY IRON WIRE	1	2011-11_
7	FT450.48.010	蓄电池	BATTERY	1	2011-11_
8	TB400.485A.1	电源线总成	POWER WIRE ASSEMBLY	1	2011-11_
9	FT65.48.095	线束紧固夹 (一)	HARNESS TIGHTEN CLIP (1)	1	2011-11_



## TB400.487 48.7-组合仪表总成 48.7-COMBINED INSTRUMENT ASSEMBLY

标号 No.	代号 Code	名称 Description		数量 Quantity	备注 Remark
1	FT300.48.061	组合仪表总成	COMBINED INSTRUMENT ASSEMBLY	1	2004-01_
1	FT300.48.061a	组合仪表总成	COMBINED INSTRUMENT ASSEMBLY	1	2009-05_

TB400.49 工具箱总成

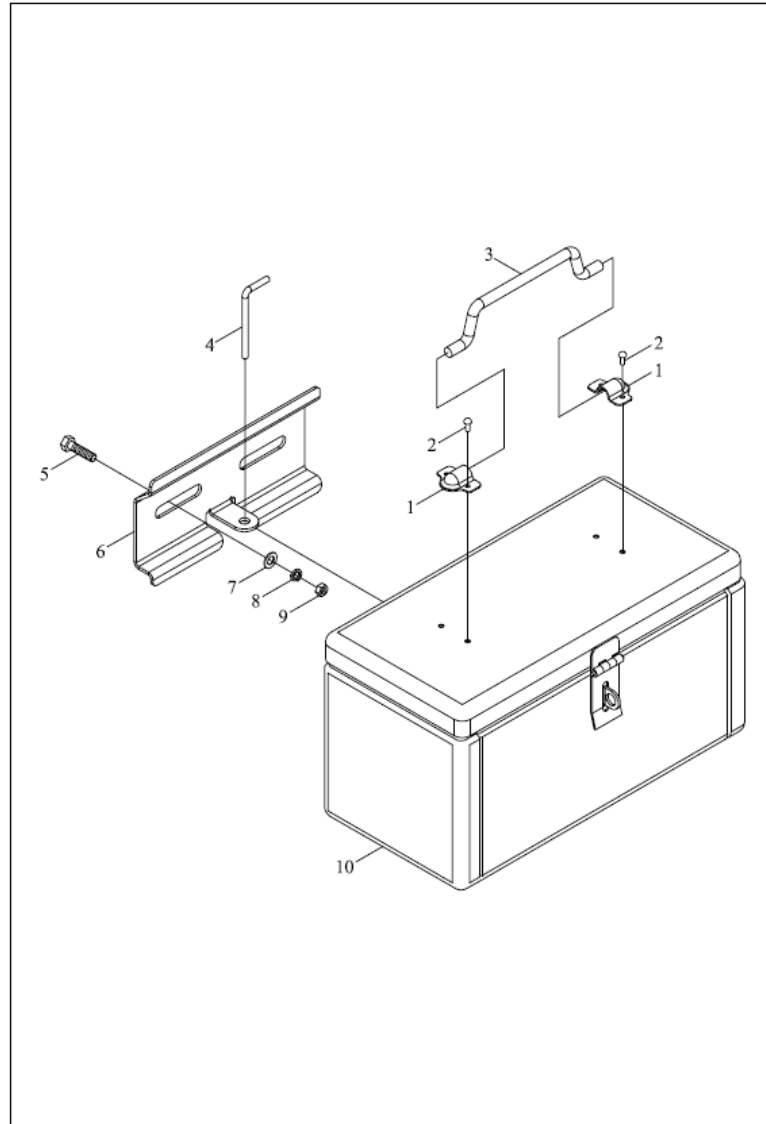


## TB400.49 49-工具箱总成 49-TOOL BOX ASSEMBLY

标号 No.	代号 Code	名称 Description		数量 Quantity	备注 Remark
1	GBT867-4X8	铆钉	RIVET	4	2013-02_
2	FT65.49.101	提手座	HANDLE SEAT	2	2013-02_
3	FT65.49.115	提手	HANDLE	1	2013-02_
4	FT300.49.012	工具箱焊合总成	TOOL BOX WELDMENT ASSEMBLY	1	2013-02_
5	FT65.49.102	插销	CROSS PIN	1	2013-02_
6	GBT5783-M12X25-8.8-A3L	六角头螺栓	BOLT	2	2013-02_
7	GBT93-12-A0P	弹簧垫圈	SPRING WASHER	2	2013-02_
8	GBT97.1-12-A0P	平垫圈	WASHER	2	2013-02_
9	FT65.49.103	固定支板	FIXING SUPPORT PLATE	1	2013-02_
	TB400.49-01	过渡安装板	transition plate	1	2011-12_



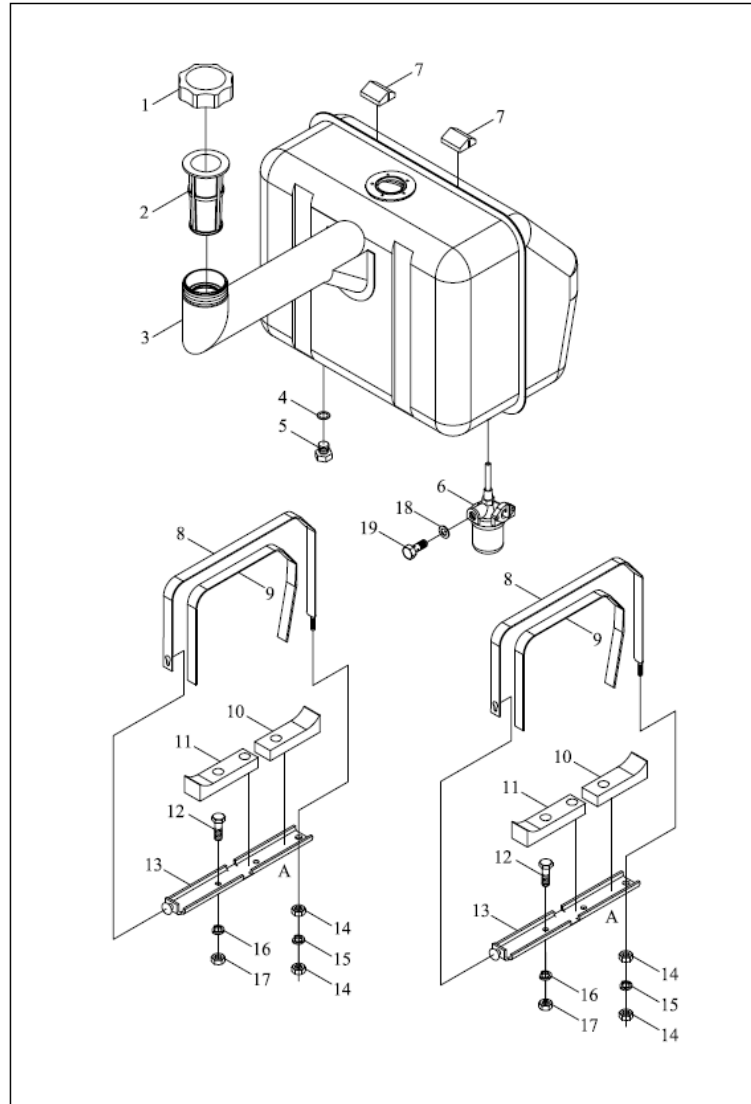
FT300.49.001 Tool box assembly



FT300.49.001 49-工具箱总成 49-TOOL BOX ASSEMBLY

标号 No.	代号 Code	名称 Description		数量 Quantity	备注 Remark
1	GBT5783-M12X25-A3L	六角头螺栓	BOLT	2	2011-11_
1	FT65.49.101	提手座	HANDLE SEAT	2	2003-11_
10	FT300.49.012	工具箱焊合总成	TOOL BOX WELDMENT ASSEMBLY	1	2003-11_
2	GBT 867-4X8	半圆头铆钉	RIVET	2	2003-11_
3	FT65.49.115	提手	HANDLE	1	2003-11_
4	FT65.49.102	插销	CROSS PIN	1	2003-11_
5	GBT5783-M12X35-A3L	螺栓	BOLT	2	2003-11_
5	GBT5783-M12X35-A3L	螺栓	BOLT	2	2003-11_
6	FT65.49.103	固定支板	FIXING SUPPORT PLATE	1	2003-11_
7	GBT97.1-12-A0P	平垫圈	WASHER	2	2003-11_
8	GBT93-12-A0P	弹簧垫圈	SPRING WASHER	2	2003-11_
9	GBT6170-M12-A3L	螺母	NUT	2	2003-11_

TB400.50X 燃油箱装配总成



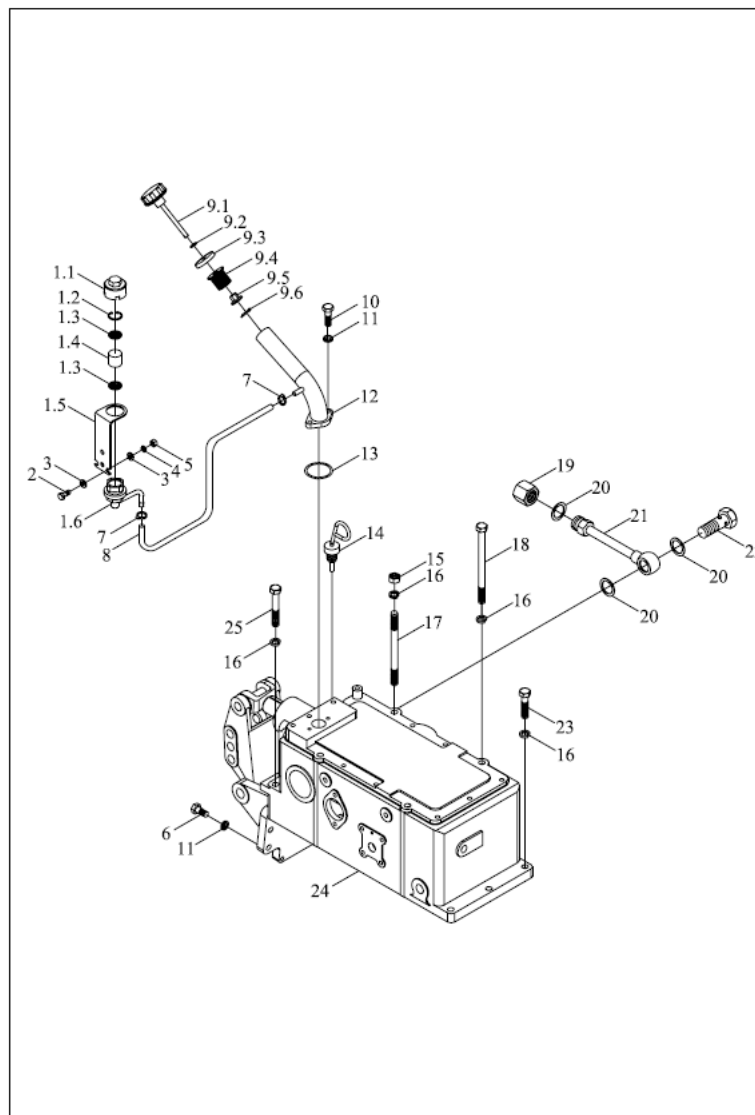
## TB400.50X 50-燃油箱装配总成 50-FUEL TANK INSTALLATION assembly

标号 No.	代号 Code	名称 Description		数量 Quantity	备注 Remark
1	TA650.502.3	油箱盖总成	OIL TANK COVER ASSEMBLY	1	2011-11_
10	FT300.50.111	后橡胶垫	REAR RUBBER CUSHION	2	2011-11_
11	FT300.50.110	前橡胶垫	FRONT RUBBER WASHER	2	2011-11_
12	GBT5783-M8X20-A2L	螺栓	BOLT	4	2011-11_
13	TB400.50X.1	油箱支架焊合	OIL TANK BRACKET WELDMENT	1	2011-11_
14	GBT6170-M10-A3L	螺母	NUT	4	2011-11_
15	GBT93-10-A0P	标准型弹簧垫圈	WASHER	2	2011-11_
16	GBT93-8-A0P	垫圈	WASHER	4	2011-11_
17	GBT6170-M8-A2L	螺母	NUT	4	2011-11_
18	JBT982-14	组合密封垫圈	COMBINED SEAL GASKET	2	2011-11_
18	JBT982-14	组合密封垫圈	COMBINED SEAL GASKET	2	2011-11_
19	FT65.50.106	空心螺栓	HOLLOW BOLT	1	2011-11_
2	FT300.50.015	滤网总成	FILTER MESH ASSEMBLY	1	2011-11_
3	TB550.50Q.1	油箱焊合	FUEL TANK WELDMENT	1	2011-11_
4	JBT982-16	组合密封垫圈	COMBINED SEAL GASKET	1	2011-11_
5	FT65.50.226	放油螺塞	OIL DISCHARGING SCREW PLUG	1	2011-11_
6	FT65.50.033	沉淀杯总成	SEDIMENT CUP ASSEMBLY	1	2011-11_
6	FT65.50.033	沉淀杯总成	SEDIMENT CUP ASSEMBLY	1	2011-11_
7	FT300.50.112	橡胶垫块	RUBBER PAD BLOCK	2	2011-11_
8	FT404.50.114	主油箱扎带橡胶垫	MAIN OIL TANK BELT RUBBER WASHER	2	2011-11_
9	TB400.50X.2	油箱扎带焊合	OIL TANK BAND WELDMENT	2	2009-12_

TB504.551A 55.1-提升器装配总成 55.1-LIFTER INSTALLATION ASSEMBLY

标号 No.	代号 Code	名称 Description		数量 Quantity	备注 Remark
0	TB504.551A-1	55.1-提升器装配总成-1	LIFTER INSTALLATION ASSEMBLY-7-1	0	2011-11_
0	TB504.551A-4	55.4-提升器装配总成-4	LIFTER INSTALLATION ASSEMBLY-4	0	2011-11_
0	TB504.551A-5	55.5-提升器装配总成-5	LIFTER INSTALLATION ASSEMBLY-5	0	2011-11_
0	TB504.551A-6	55.6-提升器装配总成-6	LIFT ASSEMBLY-6	0	2011-11_
0	TB504.551A-7	55.7-提升器装配总成-7	LIFT ASSEMBLY-7	0	2011-11_
0	FT500B.55.013E	分配器与支座总成	DISTRIBUTOR ASSEMBLY	1	2010-04_
0	TB504.551A-3	55.3-提升器装配总成-3	LIFTER INSTALLATION ASSEMBLY-7-3	0	2011-11_
0	Ta700.55A.7-01a	加油螺盖		1	2014-10_
0	TB504.551A-2	55.2-提升器装配总成-2	LIFTER INSTALLATION ASSEMBLY-7-2	0	2011-11_
1	TB504.551.1.1.4	力调节偏心轮焊接总成	FORCE ADJUSTING ECCENTRIC WHEEL WELDMENT ASSEMBLY	1	2011-11_
1	FT300.55B.026a	加油管焊合		1	2014-10_
2	GBT5783-M10×20-A2L	螺栓	OIL FILLING PIPE WELDMENT	2	2011-11_
2	JBT982-33	组合密封垫圈	BOLT	1	2014-10_
24	FT500A.55.010	提升器及操纵总成	COMBINED SEAL GASKET	1	2010-04_
24	FT500A.55.010	提升器及操纵总成	LIFTER AND OPERATION ASSEMBLY	1	2010-04_
24	TB504.551A.1	提升器总成	LIFTER ASSEMBLY	1	

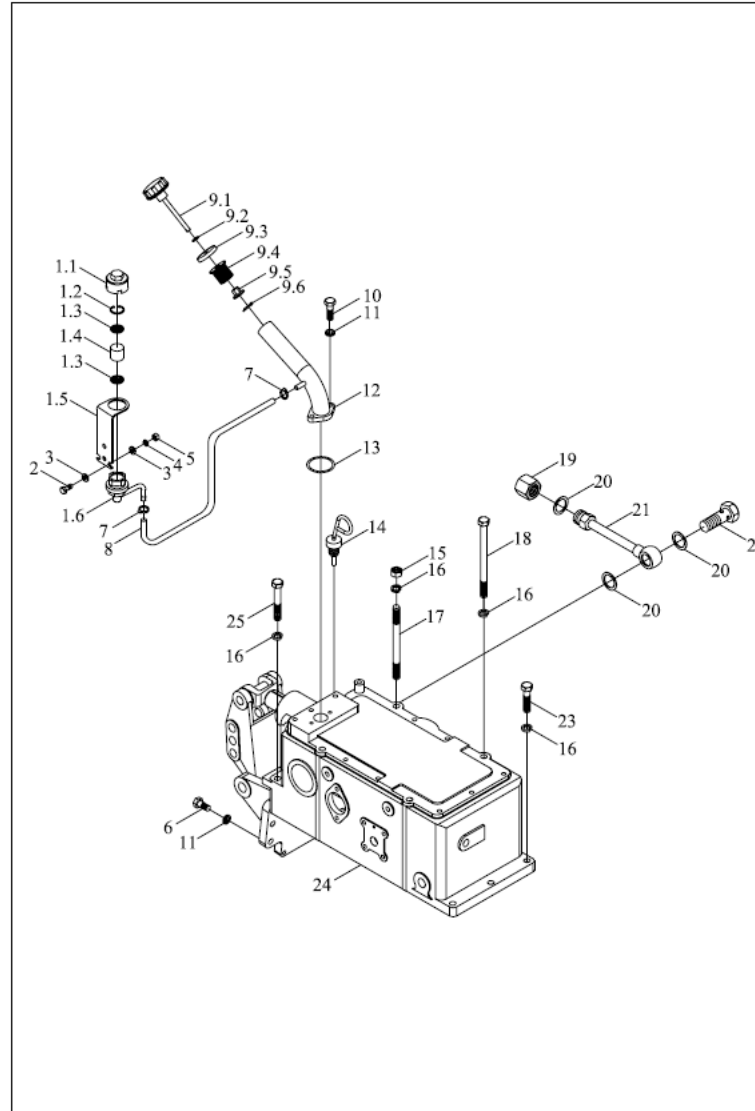
TB504.551A 提升器装配总成-1



## TB504.551A-1 55.1-提升器装配总成-1 LIFTER INSTALLATION ASSEMBLY-7-1

标号 No.	代号 Code	名称 Description		数量 Quantity	备注 Remark
0	TB-B02223	TB提升器维修包	TOOL KIT	1	2014-01_
1	FT300.55B.016c	呼吸器总成		1	2011-11_
1.1	FT700.55D.136	呼吸器盖	RESPIRATOR COVER	1	2011-11_
1.1	FT700.55D.136	呼吸器盖	RESPIRATOR COVER	1	2011-11_
1.2	GBT893.1-26	孔用弹性挡圈	SNAP RING	1	2011-11_
1.3	FT650.40.167	座板	SEAT PLATE	2	2011-11_
1.4	FT700.55D.109	呼吸器滤芯	BREATH FILTER ELEMENT	1	2011-11_
1.5	FT300.55B.164	呼吸器支架	BREATH BRACKET	1	2011-11_
1.6	FT300.55B.027A	呼吸器连接管焊合	BREATH CONNECTING PIPE WELDMENT	1	2011-11_
10	GBT5783-M8X25-A3L	六角头螺栓全螺纹	BOLT	2	2011-11_
11	GBT93-8-AOP	弹簧垫圈	SPRING WASHER	6	2011-11_
12	FT300.55B.026	加油管焊合	OIL FILLING PIPE WELDMENT	1	2011-11_
13	GBT3452.1-32.5X1.80G	液压气动用O形橡胶密封圈	O-SEAL RING	1	2011-11_
14	FT300.55B.022a	油尺组合件	OIL DIPSTICK UNIT	1	2011-11_
15	GBT6170-M12-A3L	螺母	NUT	2	2011-11_
16	GBT93-12-AOP	垫圈	WASHER	9	2011-11_
17	TB300.55-01	双头螺柱	8.8-A3L STUD	2	2010-05_
18	FT500A.55.104	螺栓	BOLT	2	2010-05_
19	FT300.55B.121a	输油管螺母	OIL CONVEYING PIPE NUT	1	2011-11_
2	GBT5783-M10X20-8.8-A3L	六角头螺栓	BOLT	2	2010-04_
2	GBT5783-M10X20-8.8-A3L	六角头螺栓	BOLT	2	2010-04_
20	JBT982-22	组合密封垫圈	COMBINED SEAL GASKET	3	2011-11_
21	FT300.55B.024	放油管焊接总成	OIL DISCHARGING PIPE WELDMENT ASSEMBLY	1	2011-11_
22	FT300.58.101	空心螺栓	HOLLOW BOLT	1	2011-11_
23	GBT5783-M12X40-A3L	螺栓	BOLT	3	2011-11_

TB504.551A 提升器装配总成-1

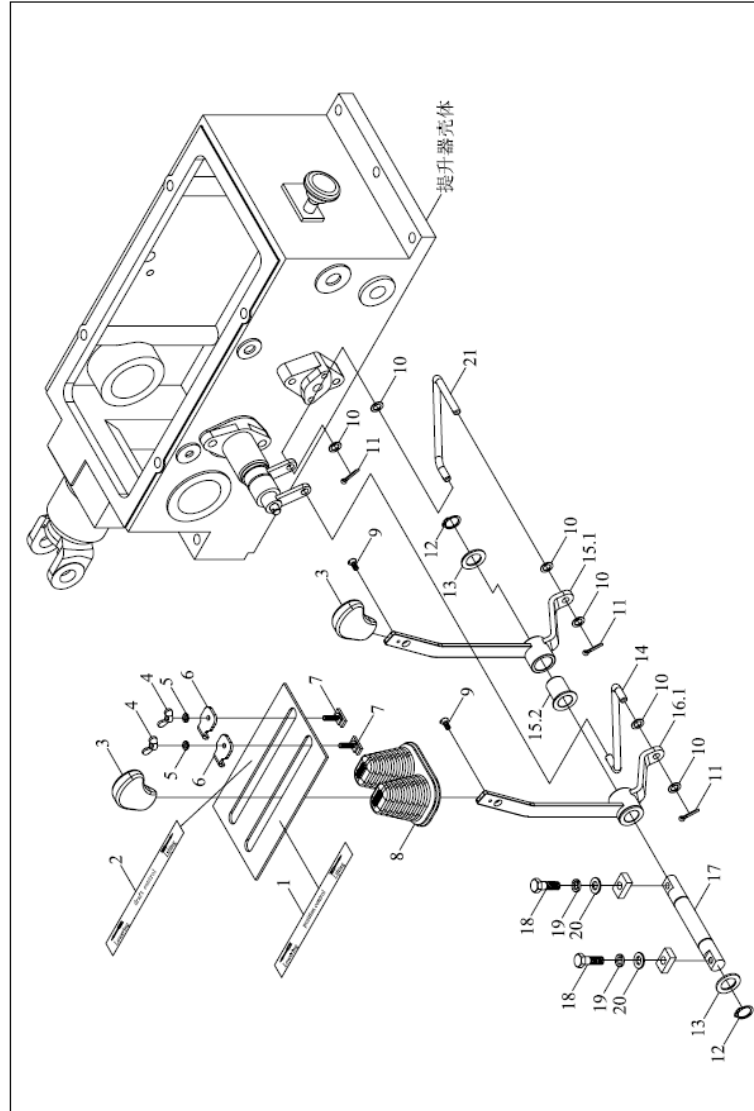




## TB504.551A-1 55.1-提升器装配总成-1(续)

标号 No.	代号 Code	名称 Description		数量 Quantity	备注 Remark
24	TB504.551A.1a	提升器总成	LIFTER ASSEMBLY	1	2010-04_
25	GBT5783-M12X100-A3L	六角头螺栓全螺纹	BOLT	2	2011-11_
3	GBT97.1-10-AOP	垫圈	WASHER	4	2011-11_
4	GBT93-10	垫圈10	WASHER 10	2	2011-11_
5	GBT6170-M10-A2L	螺母	NUT	2	2011-11_
6	GBT5783-M8X35-A3L	六角头螺栓全螺纹	BOLT	4	2011-11_
7	Q67512	软管环箍	HOSE RING HOOP	2	2011-11_
8	FT300.55B.169	呼吸器连接胶管2	BREATHER CONNECTING RUBBER HOSE 2	1	2011-11_
9	TA700.55A.7	螺塞总成	PLUG,THREADED	1	2013-05_
9	FT300.55B.029	油管塞总成	OIL PIPE PLUG ASSEMBLY	1	2011-11_
9.1	FT700.55D.029	手轮总成 I	HANDLE WHEEL ASSEMBLY I	1	2011-11_
9.2	JBT982-8	组合垫圈	COMBINED GASKET	1	2011-11_
9.3	FT700.55D.129	盖板	COVER PLATE	1	2011-11_
9.4	FT300.55B.165	张紧胶套	TENSION RUBBER SLEEVE	1	2011-11_
9.5	FT300.55B.166	调节螺母	ADJUSTING NUT	1	2011-11_

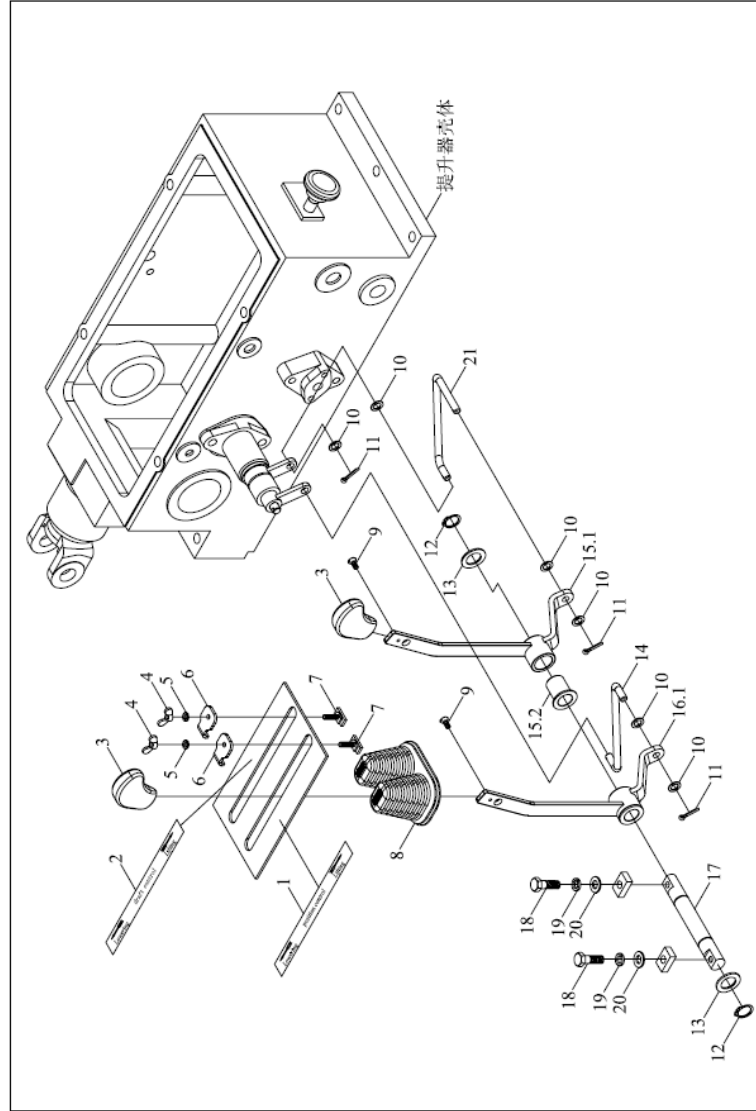
TB504.552C 提升器操纵机构总成



TB504.552C 55.2-提升器操纵机构总成 55.2-LIFTER CONTROL MECHANISM ASSEMBLY

标号 No.	代号 Code	名称 Description		数量 Quantity	备注 Remark
1	TB504.552A-05	位调节标识	POSITION ADJUSTING SIGN	1	2011-11_
10	GBT95-8-A0P	平垫圈	WASHER	4	2011-11_
11	GBT91-2X16-A0P	开口销	PIN	4	2011-11_
12	GBT894.1-18	挡圈	RETAINER RING	2	2011-11_
13	TB504.552A-03	尼龙垫圈	NYLON WASHER	1	2011-11_
14	TB504.552A.3	连杆焊合	CONNECTING ROD WELDMENT	1	2004-01_
14	TB504.552A.3a	连杆焊合	CONNECTING ROD WELDMENT	1	2010-04_
15	TB504.552A.2	提升器左操纵压合	LIFTER LEFT CONTROL PRESSURE UNIT	1	2004-01_
15	TB504.552A.2b	提升器左操纵压合	LIFTER LEFT CONTROL PRESSURE UNIT	1	2011-09_
15	TB504.552A.2a	提升器左操纵压合	LIFTER LEFT CONTROL PRESSURE UNIT	1	2010-04_
15.1	TB504.552A.2b.1	提升器左操纵焊合	LIFTER LEFT CONTROL WELDMENT	1	2011-09_
15.2	TB504.552A.1-01	尼龙隔套	NYLON SPACER BUSH	1	2011-11_
16	TB504.552A.1a	提升器右操纵压合	LIFTER RIGHT CONTROL PRESSURE UNIT	1	2010-04_
16	TB504.552A.1	提升器右操纵压合	LIFTER RIGHT CONTROL PRESSURE UNIT	1	2004-01_
16	TB504.552A.1b	提升器右操纵压合	LIFTER RIGHT CONTROL PRESSURE UNIT	1	2011-09_
16.1	TB504.552A.1b.1	提升器右操纵焊合	LIFTER RIGHT CONTROL WELDMENT	1	2011-09_
16.2	TB504.552A.1-01	尼龙隔套	NYLON SPACER BUSH	1	2011-11_
17	TB504.552A-01	转轴	ROTATING SHAFT	1	2011-11_
18	GBT5783-M8X35-8.8-A2L	六角头螺栓	BOLT	2	2011-11_
19	GBT93-8-A0P	垫圈	WASHER	2	2011-11_
2	TB504.552A-04	力调节标识	FORCE ADJUSTING SIGN	1	2011-11_
20	GBT97.1-8-A0P	平垫圈	WASHER	2	2011-11_
21	TB504.552C.3	连杆焊合	CONNECTING ROD WELDMENT	1	2004-01_
21	TB504.552C.3a	连杆焊合	CONNECTING ROD WELDMENT	1	2010-04_
3	TB504.552-04	手柄头总成	HANDLE HEAD ASSEMBLY	2	2011-11_

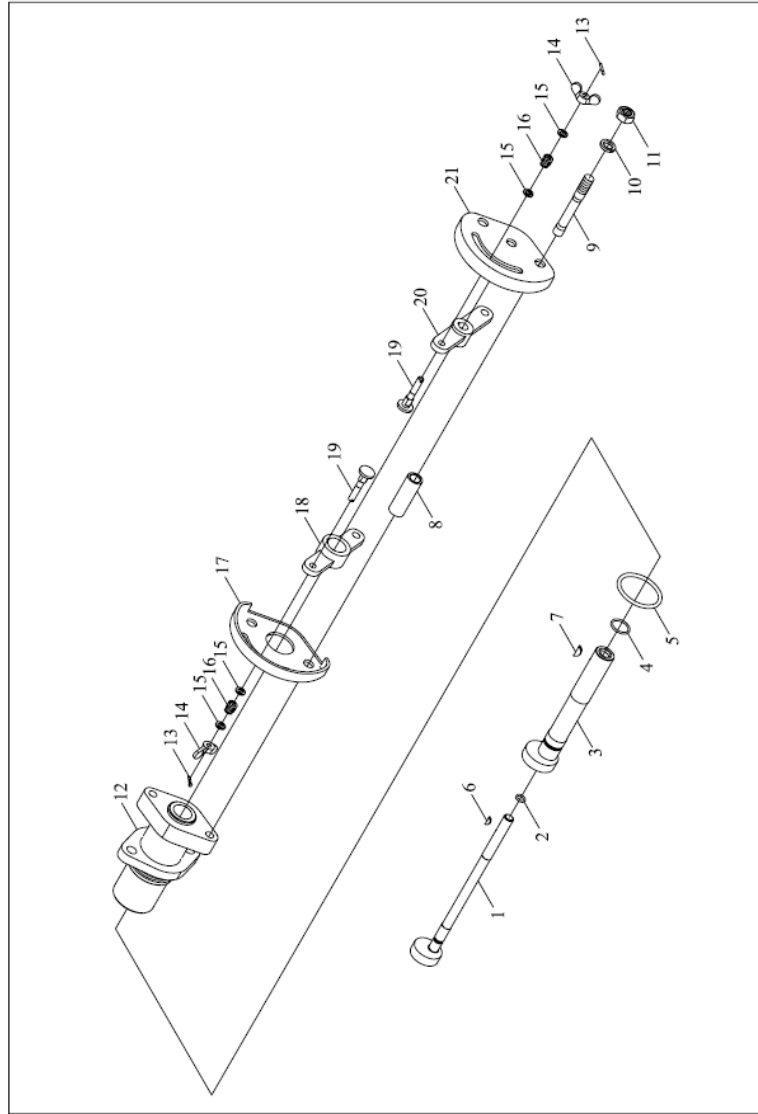
TB504.552C 提升器操纵机构总成



## TB504.552C 55.2-提升器操纵机构总成(续)

标号 No.	代号 Code	名称 Description		数量 Quantity	备注 Remark
4	GBT62-M5-A2L	蝶形螺母	BUTTERFLY NUT	2	2011-11_
5	GBT93-5-A0P	标准型弹簧垫圈	WASHER	2	2011-11_
6	TB504.552-03	限位板	LIMIT PLATE	2	2011-11_
7	TB504.552.5	限位螺栓焊合	LIMITING BOLT WELDMENT	2	2011-11_
8	TB504.552A-02	防尘套	DUST COVER	1	2009-12_
8	TB504.552A-02a	防尘套	DUST COVER	1	2011-09_
9	GBT68-M4X10-A2L	开槽双头螺钉		2	2011-11_

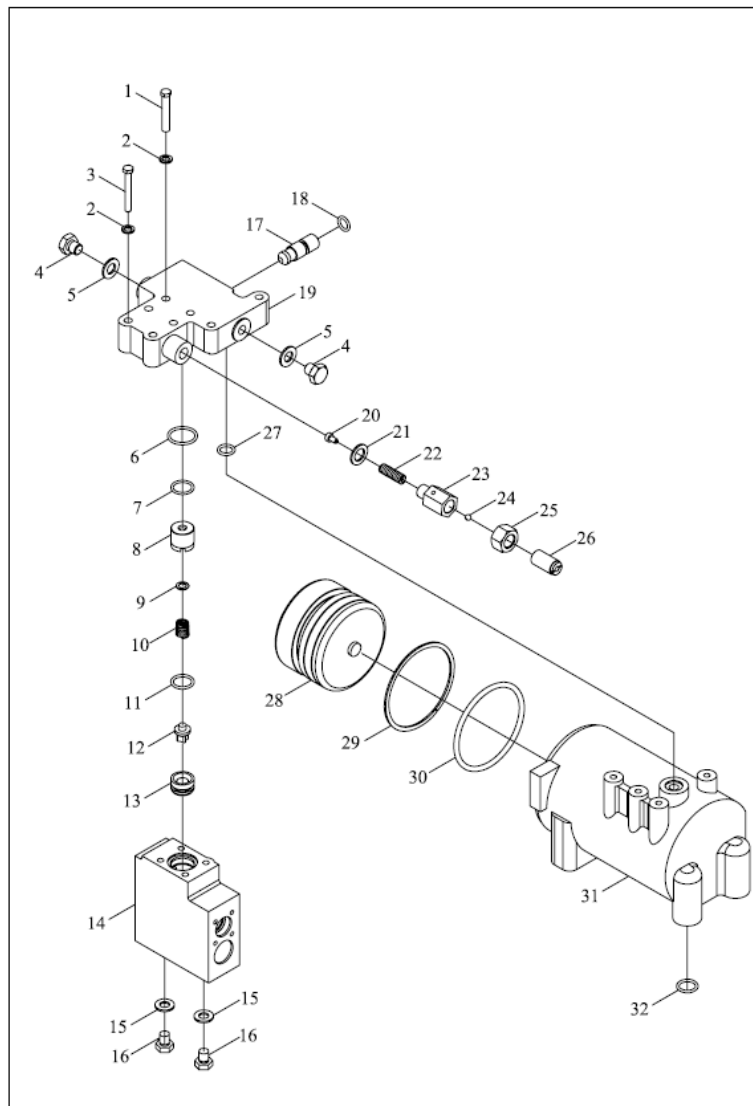
TB504.551A 提升器装配总成-2



## TB504.551A-2 55.2-提升器装配总成-2 LIFTER INSTALLATION ASSEMBLY-7-2

标号 No.	代号 Code	名称 Description	数量 Quantity	备注 Remark	
0	TB504.551A.1a	提升器总成	LIFTER ASSEMBLY	1	2011-11_
0.1	TB504.551B.1.1	分配器操纵机构总成	DISTRIBUTOR CONTROL MECHANISM ASSEMBLY	1	2011-11_
0.3	TB504.551A.1.1	分配器操纵机构总成	DISTRIBUTOR CONTROL MECHANISM ASSEMBLY	1	2010-04_
1	TB504.551.1.1.4	力调节偏心轮焊接总成	FORCE ADJUSTING ECCENTRIC WHEEL	1	2011-11_
10	GBT93-10-A0P	标准型弹簧垫圈	WELDMENT ASSEMBLY	2	
			WASHER		
11	GBT6170-M10-A3L	1型六角螺母		2	
12	TB504.551.1.1-01	支座	NUT	1	2011-11_
13	GBT91-2×12	销 2×12	RETAINER	2	
14	GBT62-M6-A2L	蝶形螺母	PIN	2	
15	GBT96-6-A0P	垫圈6-A0P	BUTTERFLY NUT	4	
			WASHER		
16	25.55.131	手柄压紧弹簧		2	2011-11_
17	TB504.551B.1.1-02	位调节扇形板	HANDLE PRESSING SPRING	1	2011-11_
18	TB504.551.1.1.1	位调节摇臂焊合	POSITION ADJUSTING SECTOR PLATE	1	2011-11_
19	FT65.57.103	手柄压紧螺钉	POSITION ADJUSTING ROCKER WELDMENT	2	2011-11_
2	GBT3452.1-6.9X1.80G	液压气动用O形橡胶密封圈	HANDLE PRESSING SCREW	1	
			O-SEAL RING		
20	TB504.551.1.1.2	力调节摇臂焊合		1	2011-11_
21	TB504.551B.1.1-01	力调节扇形板	FORCE ADJUSTING ROCKER WELDMENT	1	2011-11_
3	TB504.551.1.1.3	位调节偏心轮焊接总成	FORCE ADJUSTING SECTOR PLATE	1	2011-11_
4	GBT3452.1-17.0X1.80G	液压气动用O形橡胶密封圈	POSITION ADJUSTING ECCENTRIC WHEEL	1	
5	GBT3452.1-41.2X3.55G	液压气动用O形橡胶密封圈	WELDMENT ASSEMBLY	1	
			O-SEAL RING		
6	GBT1099.1-2.5X3.7X10	半圆键	O-SEAL RING	1	
7	GBT1099.1-3X5X13	半圆键		1	
8	TB504.551.1.1-04	隔套	SEMICIRCLE KEY	2	2011-11_
9	GBT898-M10X65-A2L	双头螺柱	SEMICIRCLE KEY	2	
9	GBT898-M10X65-A2L	双头螺柱	SPACER BUSH	2	

TB504.551A 提升器装配总成-3

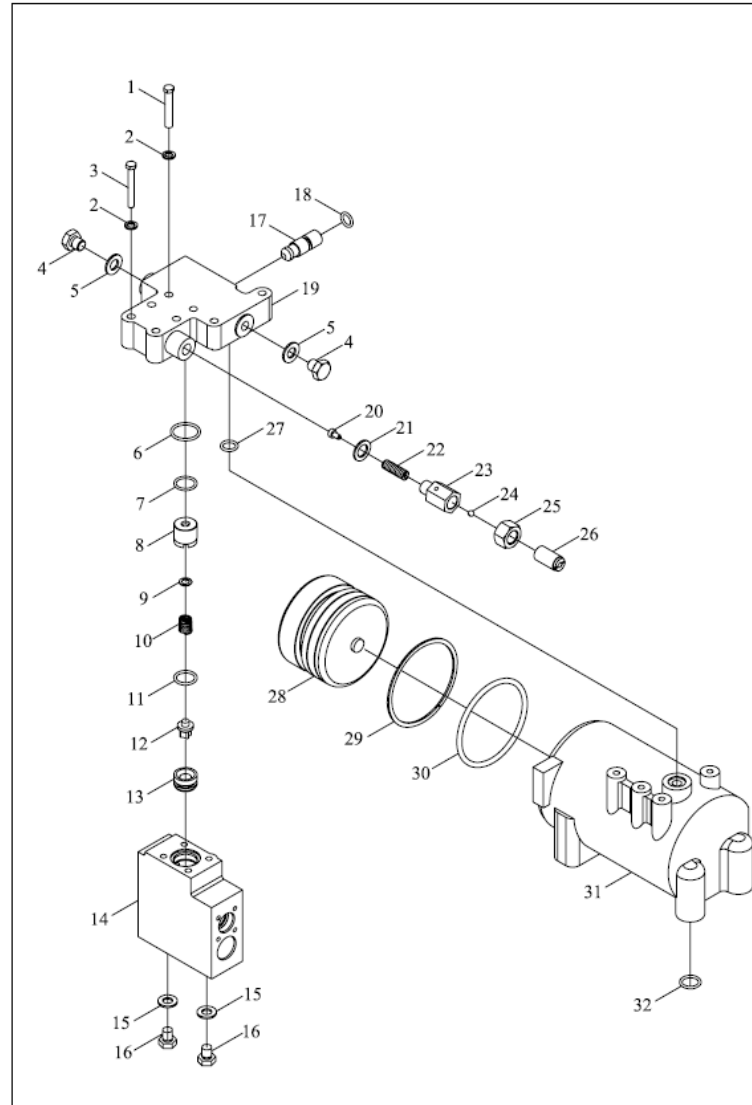




## TB504.551A-3 55.3-提升器装配总成-3 LIFTER INSTALLATION ASSEMBLY-7-3

标号 No.	代号 Code	名称 Description	数量 Quantity	备注 Remark
.2	TB504.551A.1a	提升器总成	1	2011-11_
1	GBT5782-M8X45	六角头螺栓	4	2011-11_
10	T30.57.144B	单向阀弹簧	1	2011-11_
11	GBT3452.1-19X2.65	液压气动用O形橡胶密封圈	1	2011-11_
12	T30.57.142B	单向阀体	1	2011-11_
13	T30.57.143B	单向阀座	1	2011-11_
14	KM550.55.120E	分配器壳体	1	2011-11_
15	JBT982-10	组合密封垫圈	2	2011-11_
15	JBT982-10	组合密封垫圈	2	2011-11_
16	JBT1000-M10X1	六角螺塞	2	2011-11_
17	FT500B.55.246	截断阀	1	2011-11_
18	GBT3452.1-11.8X2.65	O形密封圈	1	2011-11_
18	GBT3452.1-11.8X2.65	液压气动用O形橡胶密封圈	1	2011-11_
19	FT500B.55.107	分配器支座	1	2011-11_
2	GBT93-8	垫圈8	8	2011-11_
20	TS300B.55.211	安全阀弹簧座	1	2011-11_
21	TS300B.55.210	铝垫片	1	2011-11_
22	12.55.218	安全阀弹簧	1	2011-11_
23	TS300B.55.209	安全阀体	1	2011-11_
24	GBT308-φ6 II	钢球	1	2011-11_
25	GBT6173-M16X1.5	六角螺母	1	2011-11_
26	TS300B.55.251	调压螺柱	1	2011-11_
27	GBT3452.1-13.2X2.65	液压气动用O形橡胶密封圈	1	2011-11_
28	KM550.55.023	活塞总成	1	2011-11_
29	520.55.143	挡圈	1	2011-11_

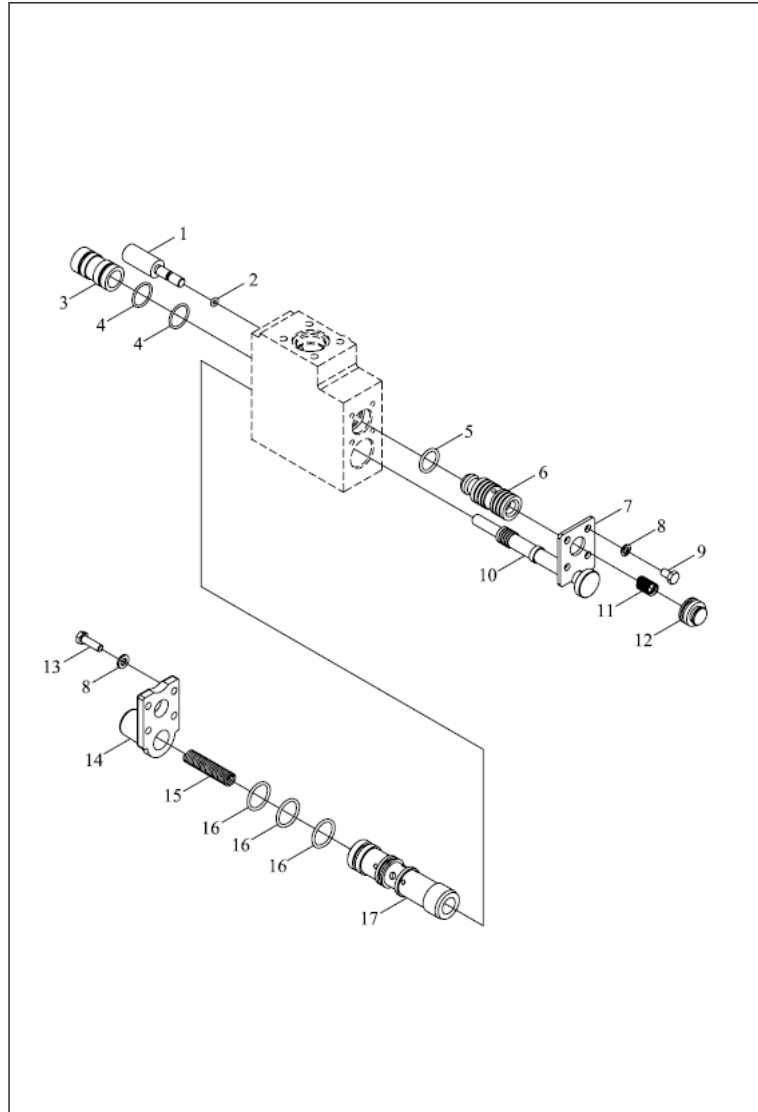
TB504.551A 提升器装配总成-3



## TB504.551A-3 55.3-提升器装配总成-3(续)

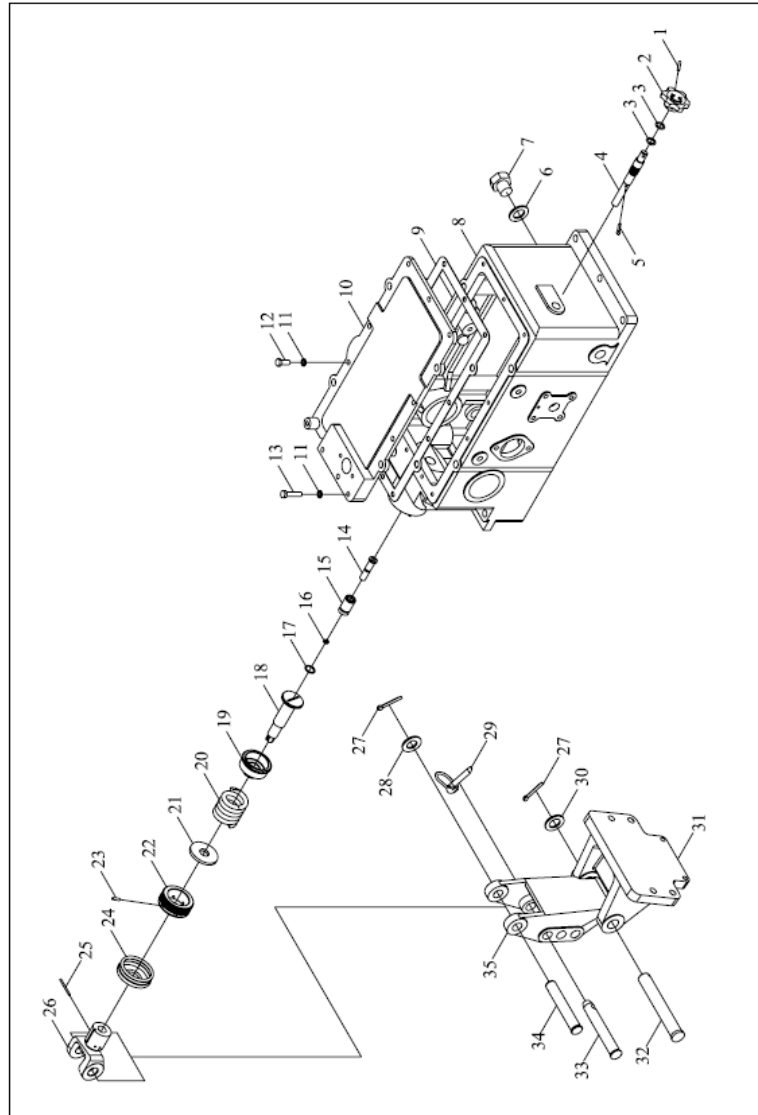
标号 No.	代号 Code	名称 Description		数量 Quantity	备注 Remark
3	GBT5782-M8X50	六角头螺栓	BOLT	4	2011-11_
30	GBT3452.1-90X5.3	液压气动用O形橡胶密封圈	O-SEAL RING	1	2011-11_
31	FT500B.55.106	油缸体	OIL CYLINDER BODY	1	2011-11_
32	GBT3452.1-17X2.65	O型圈	O-RING	4	2011-11_
4	JBT1000-M12X1.5	六角螺塞	HEXAGON SCREW PLUG	2	2011-11_
5	JBT982-12	组合密封垫圈	COMBINED SEAL GASKET	2	2011-11_
6	GBT3452.1-25.7X2.65	液压气动用O形橡胶密封圈	O-SEAL RING	1	2011-11_
6	GBT3452.1-25.7X2.65	液压气动用O形橡胶密封圈	O-SEAL RING	1	2011-11_
7	GBT1235-24X2.4	O形圈	O-RING	1	2011-11_
8	YT300A.55.124	单向阀套	ONE-WAY VALVE SLEEVE	1	2011-11_
9	T30.57.164	单向阀体垫	ONE-WAY VALVE BODY GASKET	1	2011-11_

TB504.551A 提升器装配总成-4



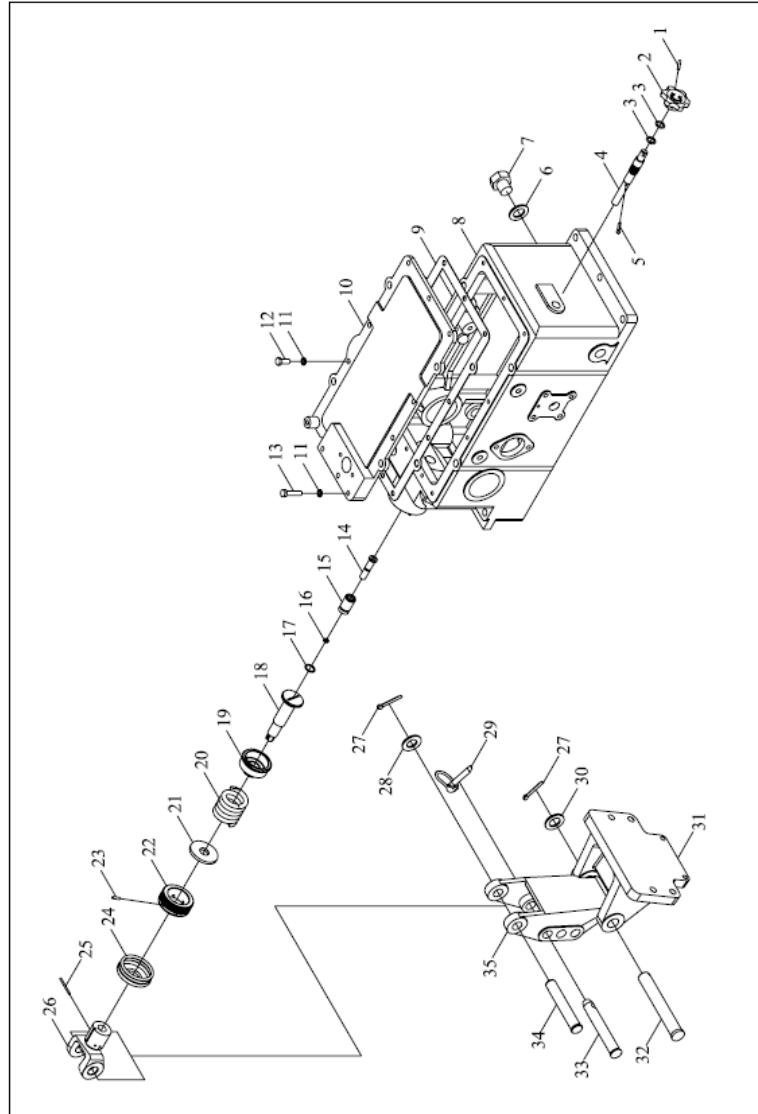
TB504.551A-4 55.4-提升器装配总成-4 LIFTER INSTALLATION ASSEMBLY-4

标号 No.	代号 Code	名称 Description		数量 Quantity	备注 Remark
.2	TB504.551A.1a	提升器总成	LIFTER ASSEMBLY	1	2011-11_
1	TS300B.55.187	调节阀	ADJUSTING VALVE	1	2011-11_
10	TS300.55.172	主控制阀	MAIN CONTROL VALVE	1	2011-11_
11	25.55.184	回油阀弹簧	SPRING	1	2011-11_
12	25.55.176	回油阀后堵塞	OIL RETURN VALVE REAR PLUG	1	2011-11_
13	GBT5783-M6X20	螺栓	BOLT	4	2011-11_
14	KR130.55.183	阀门前盖	VALVE FRONT COVER	1	2011-11_
15	25.55.181	主控制阀弹簧	MAIN CONTROL VALVE SPRING	1	2011-11_
16	GBT1235-26X2.4	O形圈	O-RING	3	2011-11_
17	TS300.55.217	主控制阀套	MAIN CONTROL VALVE SLEEVE	1	2011-11_
2	GBT1235-8X1.9	O形圈	O-RING	1	2011-11_
3	KR130.55.105	密封套	SEAL SLEEVE	1	2011-11_
4	GBT3452.1-19X1.8	液压气动用O形橡胶密封圈	O-SEAL RING	2	2011-11_
5	GBT1235-22X2.4	O形圈	O-RING	1	2011-11_
6	KR130.55.103	回油阀体	OIL RETURN VALVE BODY	1	2011-11_
7	25.55.180	限位板	LIMIT PLATE	1	2011-11_
8	GBT93-6	垫圈	WASHER	8	2011-11_
9	GBT5783-M6X10	六角头螺栓	BOLT	4	2011-11_



## TB504.551A-5 55.5-提升器装配总成-5 LIFTER INSTALLATION ASSEMBLY-5

标号 No.	代号 Code	名称 Description		数量 Quantity	备注 Remark
.2	TB504.551A.1a	提升器总成	LIFTER ASSEMBLY	1	2011-11_
1	GBT879-4X20	销	PIN	1	2011-11_
10	FT500A.55.104B	提升器上盖	LIFTER UPPER COVER	1	2011-11_
11	GBT93-8	垫圈8	WASHER 8	11	2011-11_
12	GBT5781-M8X20	六角头螺栓全螺纹C级		7	2011-11_
13	GBT5781-M8X35	六角头螺栓全螺纹C级		4	2011-11_
14	25.55.146L	推杆套	PUSH ROD SLEEVE	1	2011-11_
15	25.55.145L	力调节密封套	FORCE ADJUSTING SEAL SLEEVE	1	2011-11_
16	GBT1235-11X1.9	O形圈	O-RING	1	2011-11_
17	GBT3452.1-16X1.8	液压气动用O形橡胶密封圈	O-SEAL RING	1	2011-11_
18	25.55.158	弹簧杆	SPRING ROD	1	2011-11_
19	25.55.159	弹簧座	SPRING SEAT	1	2011-11_
2	E300.55.140A	速度下降阀手轮	SPEED DROP VALVE HAND WHEEL	1	2011-11_
2	E300.55.140A	速度下降阀手轮	SPEED DROP VALVE HAND WHEEL	1	2011-11_
20	25.55.157	力调节弹簧	FORCE ADJUSTING SPRING	1	2011-11_
21	25.55.160	弹簧压板	SPRING PRESSURE PLATE	1	2011-11_
22	25.55.161	螺母	NUT	1	2011-11_
23	GBT119-C4X14	圆柱销	PIN	1	2011-11_
24	25.55.162	防尘罩	DUSTPROOF COVER	1	2011-11_
25	GBT119-B3X40	销	PIN	1	2011-11_
26	YT300A.55.121	上拉杆连接头	UPPER PULL ROD CONNECTING JOINT	1	2011-11_
27	GBT91-5X36	销	PIN	2	2011-11_
28	GBT97.1-22	垫圈	WASHER	1	2011-11_
29	25.56.030	锁销及锁销环总成	LOCKING PIN AND RING ASSEMBLY	1	2011-11_
3	GBT3452.1-11.2X2.65	液压气动用O形橡胶密封圈	O-SEAL RING	2	2011-11_

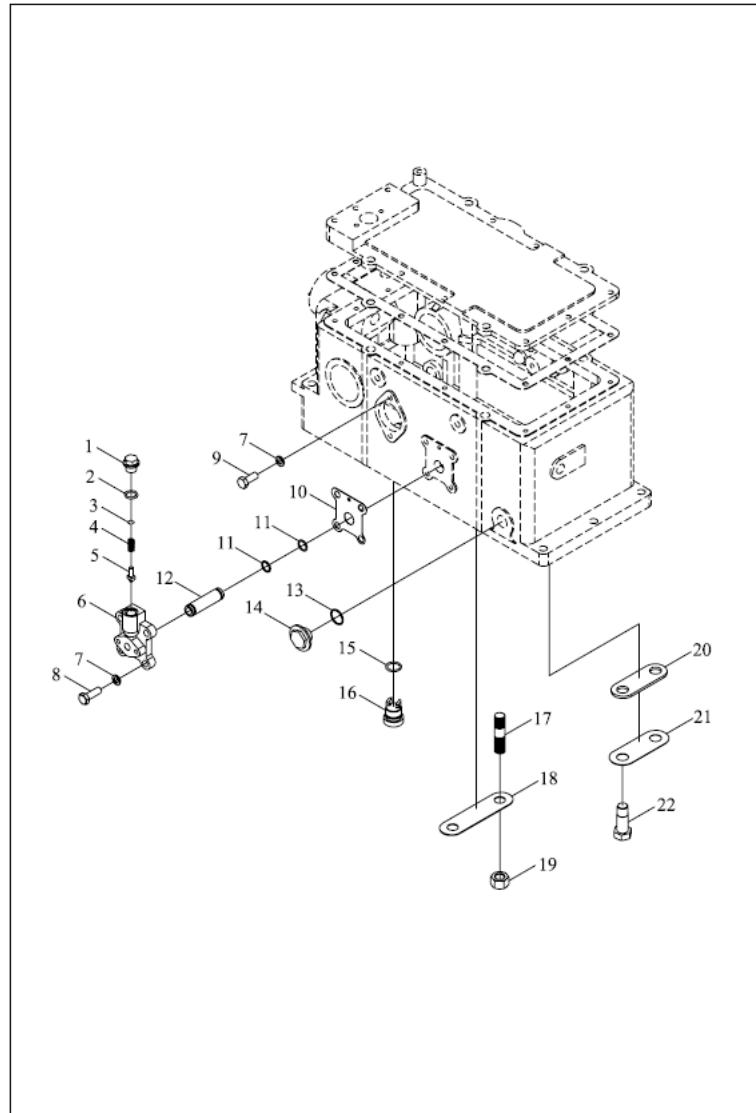




## TB504.551A-5 55.5-提升器装配总成-5(续)

标号 No.	代号 Code	名称 Description		数量 Quantity	备注 Remark
30	GBT97.1-20	垫圈	WASHER	1	2011-11_
31	FT500A.55.128	上挂接点摇臂支座	UPPER SUSPENSION POINT ROCKER SEAT	1	2011-11_
32	450.55.167	摇臂连接销	ROCKER CONNECTING PIN	1	2011-11_
33	FT500A.55B.182	摇臂前连接销	ROCKER FRONT CONNECTING PIN	1	2011-11_
34	FT500A.55.106	摇臂上连接销	ROCKER UPPER CONNECTING PIN	1	2011-11_
35	FT500B.55.130A	上挂接点摇臂	UPPER JOINT ROCKER ARM	1	2011-11_
4	YT300A.55.116	下降速度调节杆	LOW SPEED CONTROL LEVER	1	2011-11_
5	GBT91-4X20	销	PIN	1	2011-11_
6	JBT982-22	组合密封垫圈	COMBINED SEAL GASKET	1	2011-11_
7	GBT5786-M22X1.5X20	六角头螺栓	BOLT	1	2011-11_
8	TB504.551A.1-01	提升器壳体	LIFTER HOUSING	1	2011-11_
9	FT500A.55.103	上盖纸垫	UPPER COVER PAPER GASKET	1	2011-11_

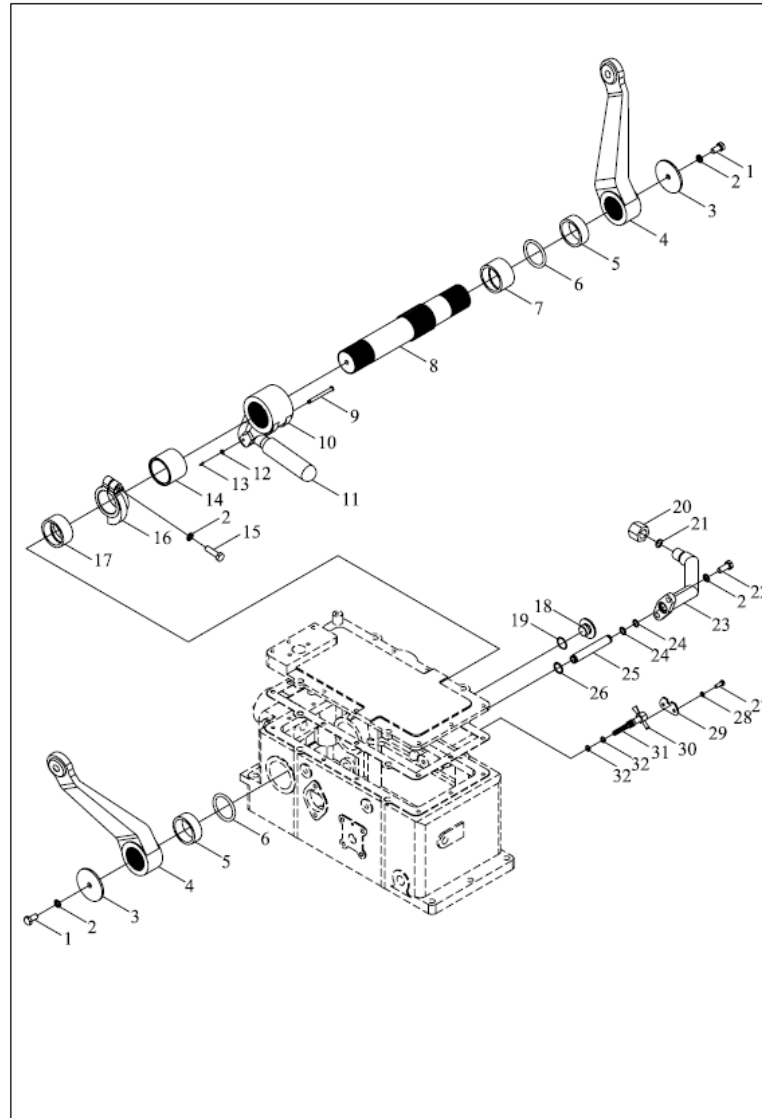
TB504.551A 提升器装配总成-6



## TB504.551A-6 55.6-提升器装配总成-6 LIFT ASSEMBLY-6

标号 No.	代号 Code	名称 Description		数量 Quantity	备注 Remark
.2	TB504.551A.1a	提升器总成	LIFTER ASSEMBLY	1	2011-11_
1	300.55.130	堵塞	PLUG	1	2011-11_
10	FT500B.55.102	进油连接板纸垫	OIL INLET CONNECTING PLATE PAPER GASKET	1	2011-11_
11	GBT3452.1-15X1.8	液压气动用O形橡胶密封圈	O-SEAL RING	2	2011-11_
12	FT500B.55.103	进油管	OIL INLET PIPE	1	2011-11_
13	GBT3452.1-22.4X1.8	O型圈	O-RING	1	2011-11_
14	FT500B.55.197	堵塞	PLUG	1	2011-11_
15	GBT1235-24X2.4	O形圈	O-RING	1	2011-11_
16	TS300B.55.110	弹簧挂钩	SPRING HOOK	1	2011-11_
17	GBT898-AM16X40	螺柱	STUD	2	2011-11_
18	FT500B.55.118	锁片	LOCK SHIM	1	2011-11_
19	GBT6170-M16	螺母	NUT	2	2011-11_
2	GBT3452.1-15X2.65	液压气动用O形橡胶密封圈	O-SEAL RING	1	2011-11_
20	FT500B.55.120	垫片	WASHER	1	2011-11_
21	FT500B.55.121	锁片	LOCK SHIM	1	2011-11_
22	FT500B.55.125	油缸螺栓	OIL CYLINDER BOLT	2	2011-11_
3	300.55.131-132	调整垫片	ADJUSTING WASHER	999	2011-11_
4	300.55.133	油缸安全阀弹簧	SAFTY VALVE SPRING OF OIL CYLINDER	1	2011-11_
5	300.55.134	油缸安全阀体	SAFTY VALVE BODY OF CYLINDER	1	2011-11_
6	FT500B.55.108A	进油连接板	OIL INLET CONNECTING PLATE	1	2011-11_
7	GBT93-10	垫圈10	WASHER 10	6	2011-11_
8	GBT5781-M10X30	六角头螺栓全螺纹C级		4	2011-11_
9	GBT5783-M10X25	螺栓	BOLT	2	2011-11_

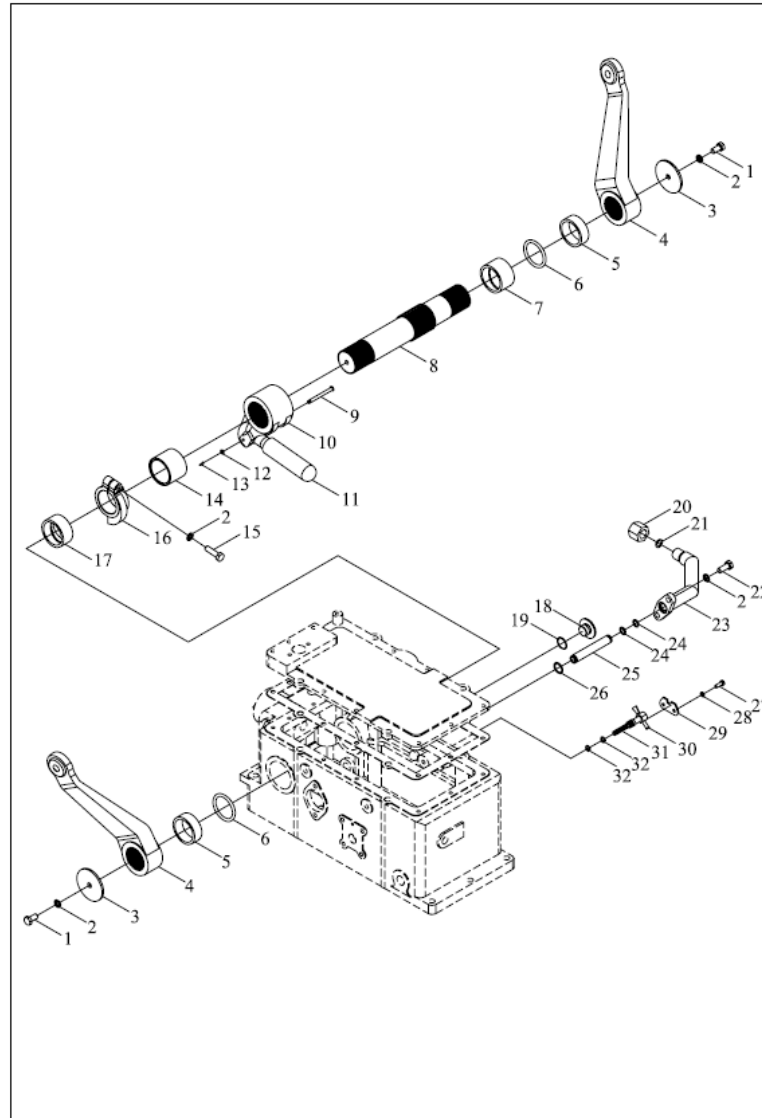
TB504.551A 提升器装配总成-7



## TB504.551A-7 55.7-提升器装配总成-7 LIFT ASSEMBLY-7

标号 No.	代号 Code	名称 Description		数量 Quantity	备注 Remark
.2	TB504.551A.1a	提升器总成	LIFTER ASSEMBLY	1	2011-11_
1	GBT5781-M10X20	六角头螺栓	BOLT	2	2011-11_
1	GBT5781-M10X20	六角头螺栓全螺纹C级		2	2011-11_
10	FT500B.55.113E	内提升臂	INNER LIFTING ARM	1	2011-11_
11	FT500B.55.114D	活塞顶杆	PISTON TOP ROD	1	2011-11_
12	GBT97.1-5	平垫圈	WASHER	1	2011-11_
13	GBT91-2X12	开口销	PIN	1	2011-11_
14	KM550.55.105-1	轴套	SHAFT SLEEVE	1	2011-11_
15	GBT5783-M10X35	六角头螺栓	BOLT	1	2011-11_
16	KM550.55.109	凸轮	CAM	1	2011-11_
17	FT500B.55.104B	轴套	SHAFT SLEEVE	1	2011-11_
18	FT500B.55.197	堵塞	PLUG	1	2011-11_
19	GBT3452.1-22.4X1.8	O型圈	O-RING	1	2011-11_
2	GBT93-10	垫圈10	WASHER 10	5	2011-11_
20	FT300.55B.121a	输油管螺母	OIL CONVEYING PIPE NUT	1	2011-11_
21	GBT3452.1-12.5X2.65	O形密封圈	O RING	1	2011-11_
22	GBT5783-M10X25	螺栓	BOLT	2	2011-11_
23	FT300.55B.120a	液压输出管接头	HYDRAULIC OUTLET PIPE JOINT	1	2011-11_
24	GBT1235-16X2.4	O形圈	O-RING	2	2011-11_
25	FT500B.55.105	出油管	OIL OUTLET PIPE	1	2011-11_
26	GBT1235-24X2.4	O形圈	O-RING	1	2011-11_
27	GBT5781-M6X16	六角头螺栓全螺纹C级		2	2011-11_
28	GBT93-6	垫圈	WASHER	2	2011-11_
29	YT300A.55.122	截断阀限位板	INTERCEPTING VALVE LIMIT PLATE	1	2011-11_
3	FT500B.55.127	提升臂压板	LIFTING ARM PRESSURE PLATE	2	2011-11_

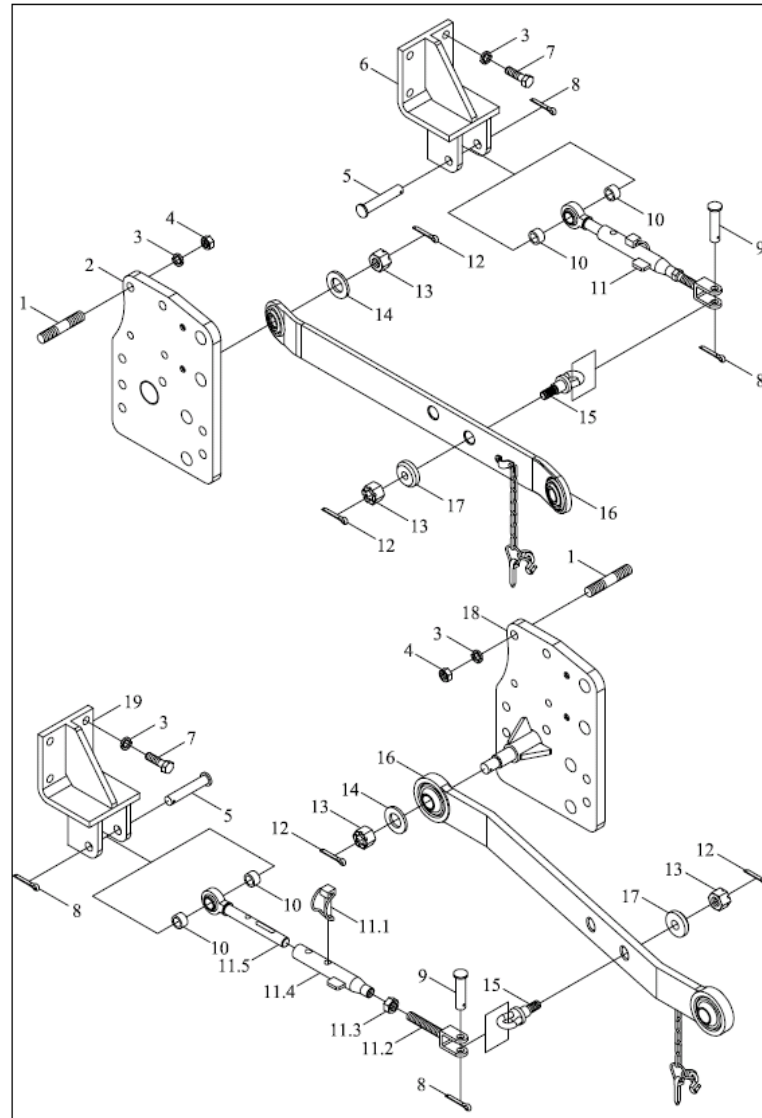
TB504.551A 提升器装配总成-7



## TB504.551A-7 55.7-提升器装配总成-7(续)

标号 No.	代号 Code	名称 Description		数量 Quantity	备注 Remark
30	BY350.55.163	调节阀螺杆手柄	ADJUSTING VALVE SOLENOID HANDLE	1	2011-11_
31	FT500B.55.126	截断阀调节杆	INTERCEPTING VALVE ADJUSTING ROD	1	2011-11_
32	GBT1235-13X1.9	O形圈	O-RING	2	2011-11_
4	FT500A.55B.016	提升臂总成	LIFTING ARM ASSEMBLY	2	2011-11_
5	FT500B.55.115A	提升轴套B	LIFTING SHAFT SLEEVE B	2	2011-11_
6	GBT1235-60X5.7	O形圈	O-RING	2	2011-11_
7	FT500B.55.122A	轴套	SHAFT SLEEVE	1	2011-11_
8	FT500A.55.110	提升轴	LIFTING SHAFT	1	2011-11_
9	GBT882-B5X65	销轴	PIN	1	2011-11_

FT500A.56B.001 Suspension mechanism assembly-1

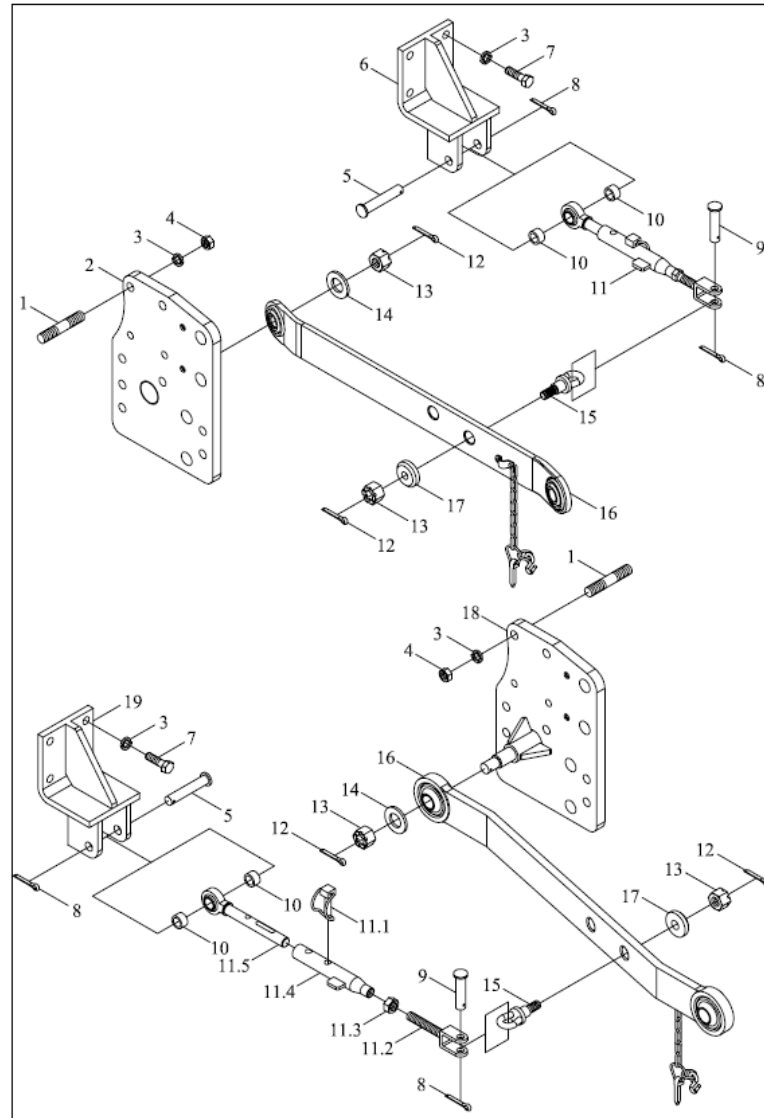




FT500A.56B.001-1 56.1-悬挂机构总成-1 SUSPENSION MECHANISM ASSEMBLY-1

标号 No.	代号 Code	名称 Description		数量 Quantity	备注 Remark
1	GBT899-AM16-M16X1.5X45-A3L	双头螺柱	8.8-A3L STUD	8	2011-11_
10	FT300.56A.103	套	COVER	4	2011-11_
11	FT300.56A.016a	限位杆总成	LIMIT ROD ASSEMBLY	2	2011-11_
11.1	FT300.56A.023	限位杆锁销组合	LIMITING ROD LOCK PIN ASSEMBLY	1	2011-11_
11.2	FT300.56A.161	限位杆调节螺杆	LIMITING ROD ADJUSTING SCREW	1	2011-11_
11.3	GBT6170-M22-A3L	1型六角螺母	NUT	1	2011-11_
11.4	FT300.56A.022a	伸缩导管焊合件	EXTENSIBLE GUIDE PIPE WELDMENT	1	2011-11_
11.5	FT300.56A.021a	伸缩杆球头总成	EXTENSIBLE ROD BALL ASSEMBLY	1	2011-11_
12	GBT91-4X36-A0P	开口销	PIN	4	2011-11_
13	GBT6178-M20-A3L	1型六角开槽螺母	NUT (PAGE81)	4	2011-11_
14	GBT97.1-20-A0P	垫圈	WASHER	2	
14	GBT97.1-20-A0P	垫圈	WASHER	2	
15	FT300.56A.110a	限位杆后联接销	LIMITING ROD REAR CONNECTING PIN	2	2011-11_
16	FT500A.56.012	下拉杆总成	LOWER PULL ROD ASSEMBLY	2	2011-11_
16	FT500A.56.012	下拉杆总成	LOWER PULL ROD ASSEMBLY	2	2011-11_
17	FT300.56A.111a	圆板	ROUND BOARD	2	2011-11_
18	FT300.56B.015	左下拉杆支座焊合件	LEFT LOWER PULL ROD SEAT WELDMENT	1	2011-11_
19	FT300.56A.017	左限位杆支架焊合件	LEFT LIMITING ROD BRACKET WELDMENT	1	2011-11_
2	FT300.56B.014	右下拉杆支座焊合件	RIGHT LOWER PULL ROD SEAT WELDMENT	1	2011-11_
3	GBT93-16-A0P	弹簧垫圈	SPRING WASHER	16	2011-11_
4	GBT6171-M16X1.5-A3L	1型六角螺母	NUT	8	2011-11_
5	FT300.56A.102	限位杆联接销	LIMITING ROD CONNECTING PIN	2	2011-11_
5	FT300.56A.102	限位杆联接销	LIMITING ROD CONNECTING PIN	2	2011-11_
6	FT300.56A.019	右限位杆支架焊合件	RIGHT LIMITING ROD BRACKET WELDMENT	1	2011-11_
7	GBT5783-M16X40-A3L	六角头螺栓	BOLT	8	2011-11_

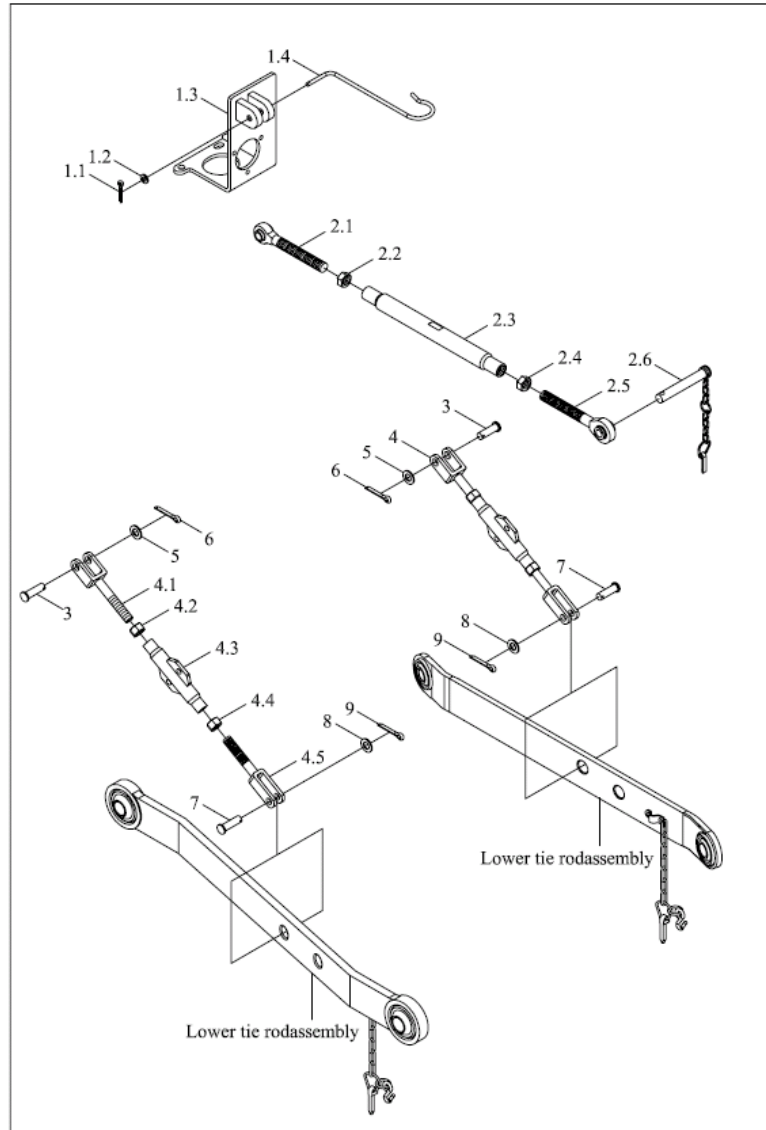
FT500A.56B.001 Suspension mechanism assembly-1



FT500A.56B.001-1 56.1-悬挂机构总成-1(续)

标号 No.	代号 Code	名称 Description		数量 Quantity	备注 Remark
8	GBT91-5X32-A0P	开口销	PIN	4	2011-11_
9	GBT882-B18X55-A0P	销轴	PIN	2	2011-11_

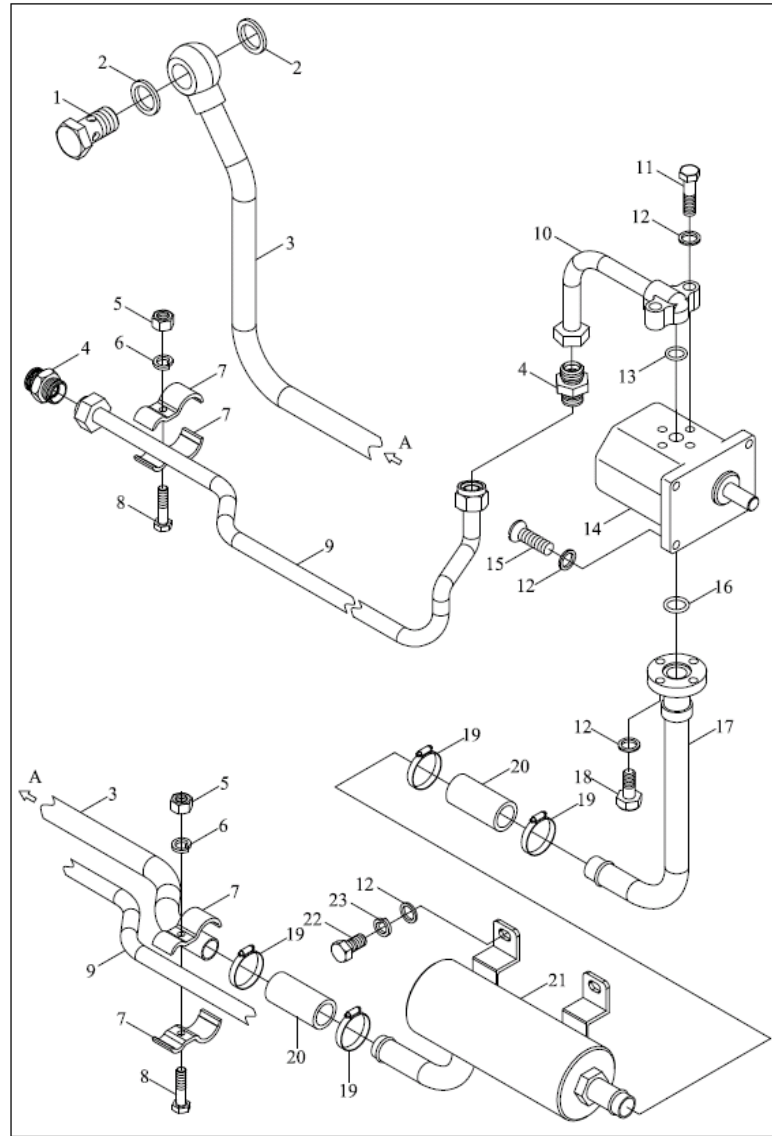
FT500A.56B.001 Suspension mechanism assembly-2



FT500A.56B.001-2 56.2-悬挂机构总成-2 SUSPENSION MECHANISM ASSEMBLY-2

标号 No.	代号 Code	名称 Description		数量 Quantity	备注 Remark
1.1	GBT91-2X10-A0P	开口销	PIN	1	2011-11_
1.2	GBT97.1-6-A0P	平垫圈	WASHER	1	2011-11_
1.3	FT300.56A.020b	座板焊合件	SEAT PLATE WELDMENT	1	2009-09_
1.3	FT300.56A.020a	座板焊合件	SEAT PLATE WELDMENT	1	2001-01_
1.4	FT300.56A.216	固定卡	LOCKING CLAMP	1	2011-11_
2.1	FT500A.56.026	上拉杆前调节杆总成	UPPER PULL ROD FRONT ADJUSTING ROD	1	2011-11_
2.2	GBT6173-M27X2-A3L	六角薄螺母	ASSEMBLY	1	2011-11_
2.3	FT500A.56.130	调节螺管	NUT	1	2011-11_
2.4	GBT6173-M27X2-LH-A3L	六角薄螺母	ADJUSTING SOLENOID	1	2011-11_
2.5	FT500A.56.024	上拉杆后调节杆总成	NUT	1	2011-11_
2.6	FT65.56.015	上拉杆锁销总成	UPPER PULL ROD REAR ADJUSTING ROD	1	2011-11_
3	FT500A.56.101	提升杆上联连接销	ASSEMBLY	2	2011-11_
4.1	FT500A.56.107	提升杆上联接叉	UPPER PULL ROD LOCK PIN ASSEMBLY	1	2011-11_
4.2	GBT6171-M27X2-Zn.D	1型六角螺母	LIFTING ROD UPPER CONNECTING PIN	1	2011-11_
4.3	FT500A.56.033	提升杆螺管焊合	LIFTING ROD UPPER CONNECTING FORK	1	2011-11_
4.4	GBT6171-M27 × 2-A3L	螺母	NUT	1	2011-11_
4.5	FT500A.56.108	提升杆下联接叉	LIFTING ROD SOLENOID WELDMENT	1	2011-11_
4.5	FT500A.56.108	提升杆下联接叉	NUT	1	2011-11_
5	FT500A.56.118	垫圈	LIFTING ROD LOWER CONNECTING FORK	2	2011-11_
6	GBT91-5X40-A0P	开口销	LIFTING ROD LOWER CONNECTING FORK	2	2011-11_
7	FT300.56A.112	提升杆下联接销	WASHER	2	2011-11_
8	GBT97.1-24-A0P	垫圈	PIN	2	2011-11_
8	GBT97.1-24-A0P	垫圈	LIFTING ROD LOWER CONNECTING PIN	2	2011-11_
9	GBT91-5X32-A0P	开口销	WASHER	2	2011-11_
			WASHER		

FT454.58H.001 Fuel pump oil pipe assembly



FT454.58H.001 58-油泵油管总成

标号 No.	代号 Code	名称 Description		数量 Quantity	备注 Remark
1	FT300.58.101	空心螺栓	HOLLOW BOLT	1	2011-11_
10	FT404.58X.011	压力油管总成-1	PRESSURE OIL PIPE ASSEMBLY-1	1	2011-11_
11	GBT5783-M8X35-A3L	六角头螺栓全螺纹	BOLT	2	2004-01_
12	GBT93-8-A0P	垫圈	WASHER	10	2011-11_
13	GBT3452.1-15X2.65G	液压气动用O形橡胶密封圈	O-SEAL RING	1	2011-11_
14	FT304.58L.010	齿轮泵	GEAR PUMP	1	2011-11_
15	GBT70.1-M8X40-A2L	内六角圆柱头螺钉	SCREW	4	2011-11_
16	GBT3452.1-21.2X1.8G	液压气动用O形橡胶密封圈	O-SEAL RING	1	2011-11_
17	FT400.58X.015	吸油短管焊合	OIL SUCTION SHORT PIPE WELDMENT	1	2011-11_
18	GBT5783-M8X25-A2L	螺栓	BOLT	2	2011-11_
19	Q67632	软管环箍32	HOSE HOOP 32	4	
2	JBT982-22	组合密封垫圈	COMBINED SEAL GASKET	2	
20	FT450.58.103	吸油软管	OIL SUCTION HOSE	2	2009-09_
20	FT300.58A.104	吸油胶管	OIL SUCTION HOSE	2	2004-01_
21	FT400.58X.040	滤油器总成	OIL FILTER ASSEMBLY	1	2011-11_
22	GBT5783-M8X16-A2L	螺栓	BOLT	2	2011-11_
23	GBT95-8-A0P	平垫圈	WASHER	2	2011-11_
3	FT450.58X.011	吸油管焊合	OIL SUCTION PIPE WELDMENT	1	2011-11_
4	FT700.58A.101	卡套式直通接头体	JOINT	2	2011-11_
5	GBT6170-M6-A2L	螺母	NUT	3	2011-11_
6	GBT93-6-A0P	弹簧垫圈	SPRING WASHER	3	2011-11_
7	FT300.58.013	油管夹与胶垫胶合	OIL PIPE CLAMP AND RUBBER WASHER	6	2011-11_
8	GBT5783-M6X30-A2L	螺栓	BOLT	3	2011-11_
9	FT404.58X.012	多路阀进油管总成	MULTI-WAY VALVE OIL INLET PIPE ASSEMBLY	1	2011-11_

TB504.582C 58.2-多路阀操纵机构总成 58.2-MULTI-WAY VALVE CONTROL MECHANISM ASSEMBLY

标号 No.	代号 Code	名称 Description		数量 Quantity	备注 Remark
0	TB504.582C-2	58.2.2-多路阀操纵机构总成-2	MULTI-WAY VALVE CONTROL MECHANISM	0	2010-06_
0	TB504.582C-1	58.2.1-多路阀操纵机构总成-1	ASSEMBLY-2	0	2010-06_
0	TB504.582C-1	多路阀操纵机构总成-1	MULTI-WAY VALVE CONTROL MECHANISM	0	2010-06_
0	TB504.582C-3	58.2.3-多路阀操纵机构总成-3	ASSEMBLY-1	0	2010-06_
1	FT354.58C.019b	多路阀进油管总成-2	MULTI-WAY VALVE CONTROL MECHANISM ASSEMBLY-1	1	2014-06_
1	FT354.58C.015b	多路阀输出油管总成-4	MULTI-WAY VALVE CONTROL MECHANISM	1	2014-06_
1	FT354.58C.017a	多路阀进油管总成-1	ASSEMBLY-3	1	2014-06_
1	FT354.58A.018b	多路阀进油管总成	MULTI-WAY VALVE OIL INLET PIPE	1	2014-06_
1	TB504.552-04	手柄头总成	ASSEMBLY-2	2	
			MULTI-WAY VALVE OIL OUTPUT PIPE ASSEMBLY-4		
			MULTI-WAY VALVE OIL INLET PIPE ASSEMBLY-1		
			MULTI-WAY VALVE OIL INLET PIPE ASSEMBLY HANDLE HEAD ASSEMBLY		

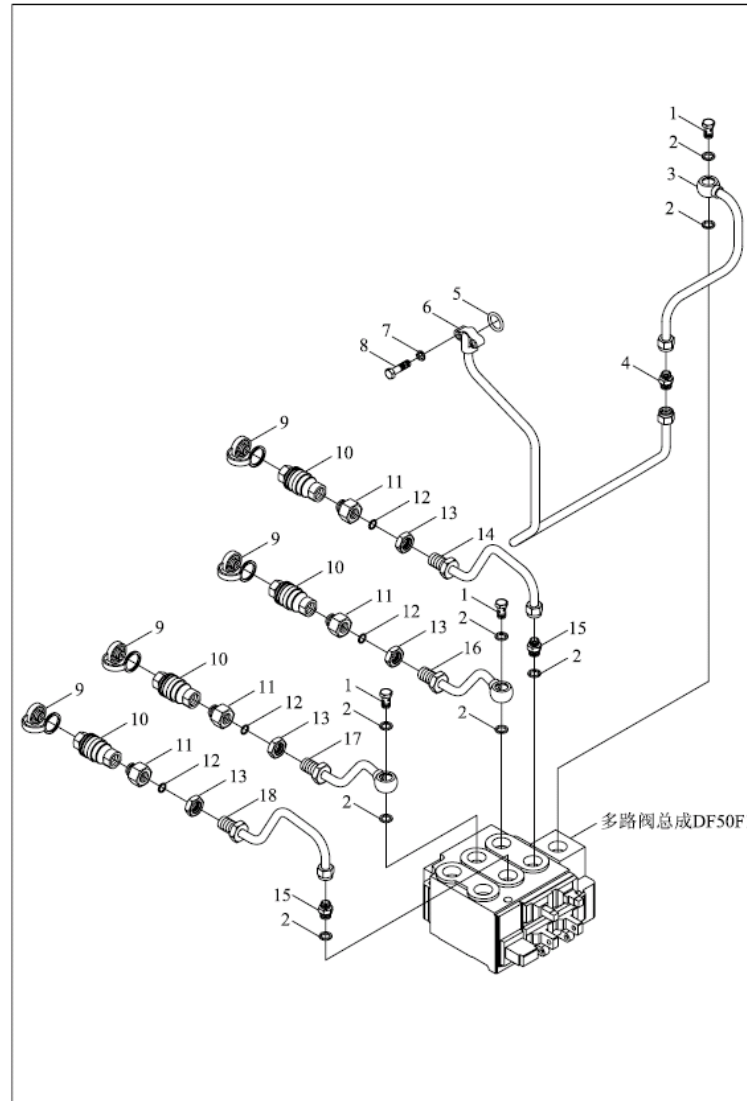




TB504.582C-1 58.2.1-多路阀操纵机构总成-1 MULTI-WAY VALVE CONTROL MECHANISM ASSEMBLY-1

标号 No.	代号 Code	名称 Description		数量 Quantity	备注 Remark
0	8A5131906	安全阀总成	SAFETY VALVE ASSEMBLY	1	2010-06_
1	FT654.58B.102	卡套式端直通接头体1	STRAIGHT THREAD JOINT BODY 1	3	2010-06_
10	GBT6170-M10-A3L	螺母	NUT	3	2010-06_
11	FT700.58A.101	卡套式直通接头体	JOINT	1	2010-06_
12	FT354.58C.017	多路阀进油管总成-1	MULTI-WAY VALVE OIL INLET PIPE ASSEMBLY-1	1	2010-06_
2	JBT982-22	组合密封垫圈		3	2010-06_
3	FT354.58C.019a	多路阀进油管总成-2	COMBINED SEAL GASKET	1	2010-06_
4	FT354.58C.016a	多路阀回油管总成	MULTI-WAY VALVE OIL INLET PIPE ASSEMBLY-2	1	2010-06_
5	FT354.58D.015c	多路阀支架焊合		1	
6	GBT93-10-A0P	标准型弹簧垫圈	MULTI-WAY VALVE OIL RETURN PIPE ASSEMBLY	4	2010-06_
7	GBT5783-M10X30-A3L	螺栓	MULTI-WAY VALVE BRACKET WELDMENT	1	2010-06_
8	GBT5782-M10X70-A2L	六角头螺栓	WASHER	3	2010-06_
9	FT654.58B.020	多路阀总成	BOLT BOLT MULTI-WAY VALVE ASSEMBLY	1	2010-06_

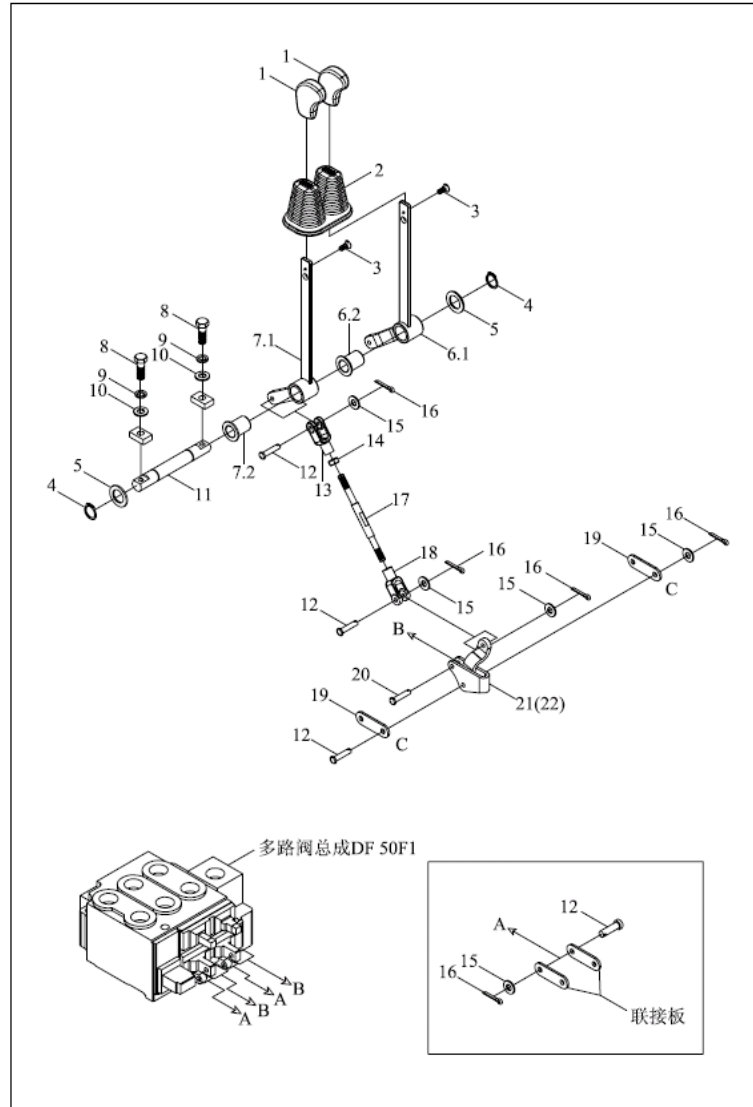
TB504.582C 多路阀操纵机构总成-2



## TB504.582C-2 58.2.2-多路阀操纵机构总成-2 MULTI-WAY VALVE CONTROL MECHANISM ASSEMBLY-2

标号 No.	代号 Code	名称 Description	数量 Quantity	备注 Remark
1	FT654.58.107	空心螺栓-1	3	2010-06_
10	FT354.58A.030	快换接头	4	2010-06_
11	FT354.58A.104	英制油管接头	4	2010-06_
12	GBT3452.1-12.5X2.65G	液压气动用O形橡胶密封圈	4	2010-06_
13	GBT6173-M22X1.5-A3L	六角薄螺母	4	
14	FT354.58A.015c	多路阀输出油管总成-4	1	2009-09_
14	FT354.58A.015b	多路阀输出油管总成-4	1	2010-06_
15	FT654.58B.102	卡套式端直通接头体1	2	2010-06_
16	FT354.58A.014C	多路阀输出油管总成-3	1	
17	FT354.58A.016b	多路阀输出油管总成-1	1	
17	FT354.58A.016c	多路阀输出油管总成-1	1	2010-06_
18	FT354.58A.017b	多路阀输出油管总成-2	1	2010-06_
18	FT354.58A.017c	多路阀输出油管总成-2	1	2009-09_
18	FT354.58A.017c	多路阀输出油管总成-2	1	2009-09_
2	JBT982-22	组合密封垫圈	8	2010-06_
3	FT354.58C.015a	多路阀出油管总成-1	1	2010-06_
4	FT700.58A.101	卡套式直通接头体	1	2010-06_
5	GBT3452.1-15.0X2.65G	液压气动用O形橡胶密封圈	1	2010-06_
6	FT354.58A.018a	多路阀出油管总成-2	1	2012-02_
6	FT454.58X.011a	多路阀出油管总成	1	2010-06_
7	GBT93-8-A0P	垫圈	2	2010-06_
8	GBT5783-M8X30-A2L	螺栓	2	2010-06_
9	FT354.58A.103	防尘盖	4	2010-06_
		JOINT		

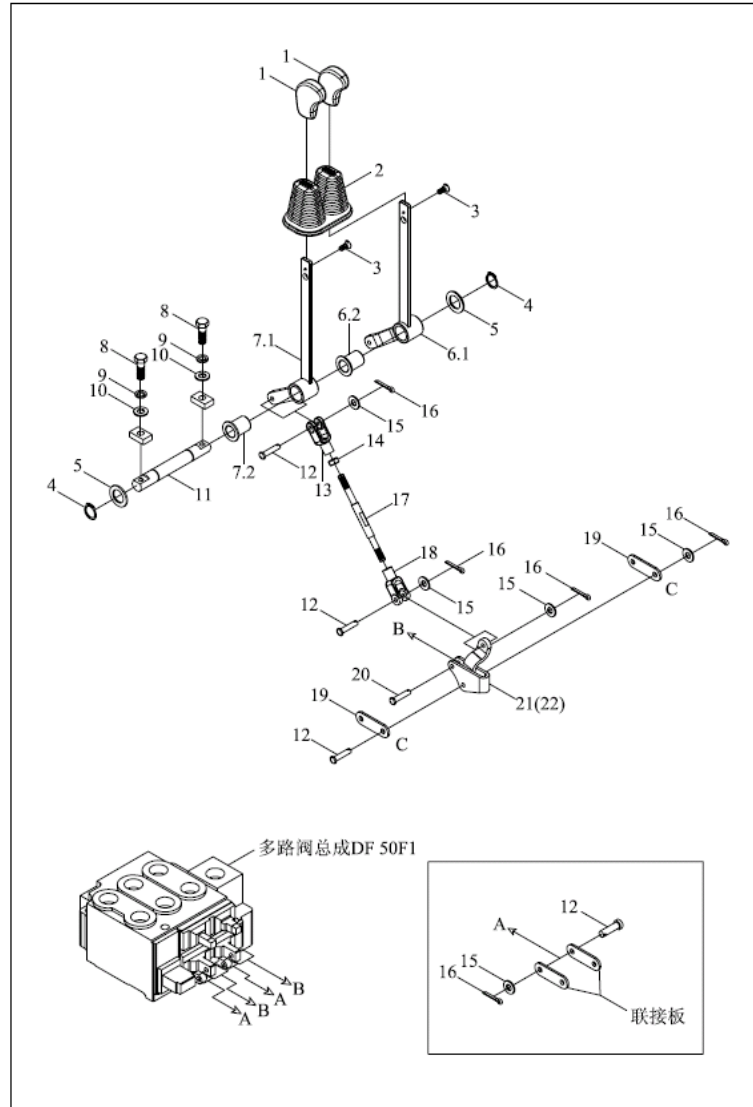
TB504.582C 多路阀操纵机构总成-3



## TB504.582C-3 58.2.3-多路阀操纵机构总成-3 MULTI-WAY VALVE CONTROL MECHANISM ASSEMBLY-3

标号 No.	代号 Code	名称 Description		数量 Quantity	备注 Remark
1	TB604.582G-01	手柄头	HANDLE HEAD	2	2012-12_
1	TB504.552-04	手柄头总成	HANDLE HEAD ASSEMBLY	2	
10	GBT97.1-8-A0P	平垫圈	WASHER	2	2010-06_
11	TB504.552A-01	转轴	ROTATING SHAFT	1	2010-06_
12	GBT882-B6X28	销轴	PIN	8	
13	FT804A.58L.133	右旋拉杆叉	RIGHT REVOLVING PULL ROD FORK	2	2010-06_
14	GBT6170-M8-A2L	螺母	NUT	2	2010-06_
15	GBT97.1-6-A0P	平垫圈	WASHER	10	2010-06_
16	GBT91-2X12-A0P	开口销	PIN	10	2010-06_
17	TB504.582A-01	螺纹杆	SCREW	2	2010-06_
18	FT804A.58L.136	左旋拉杆叉	LEFT REVOLVING PULL ROD FORK	2	2010-06_
19	FT654.58.103	联接板	CONNECTING PLATE	4	2010-06_
2	TB504.552A-02	防尘套	DUST COVER	1	2004-01_
2	TB504.552A-02a	防尘套	DUST COVER	1	2011-09_
20	GBT882-B6X22	销轴	PIN	2	2010-06_
21	TB504.582A.1	连接板焊合	CONNECTING PLATE WELDMENT	1	2010-06_
22	TB504.582A.2	连接板焊合	CONNECTING PLATE WELDMENT	1	2010-06_
3	GBT68-M4X10-A2L	开槽双头螺钉		2	2010-06_
4	GBT894.1-18	挡圈	RETAINER RING	2	2010-06_
5	TB504.552A-03	尼龙垫圈	NYLON WASHER	2	2010-06_
6	TB504.582A.4	多路阀操纵杆压合	MULTI-WAY VALVE CONTROL ROD PRESSURE	1	2004-01_
6	TB504.582H.4a	多路阀操纵杆压合2	UNIT2	1	2011-09_
6	TB504.582H.4	多路阀操纵杆压合	MULTI-WAY VALVE CONTROL ROD PRESSURE	1	2010-02_
6.1	TB504.582A.4.1	多路阀操纵杆焊合	UNIT2	1	2010-06_
6.2	TB504.582A.1-01	尼龙隔套	MULTI-WAY VALVE CONTROL ROD PRESSURE	1	2011-11_

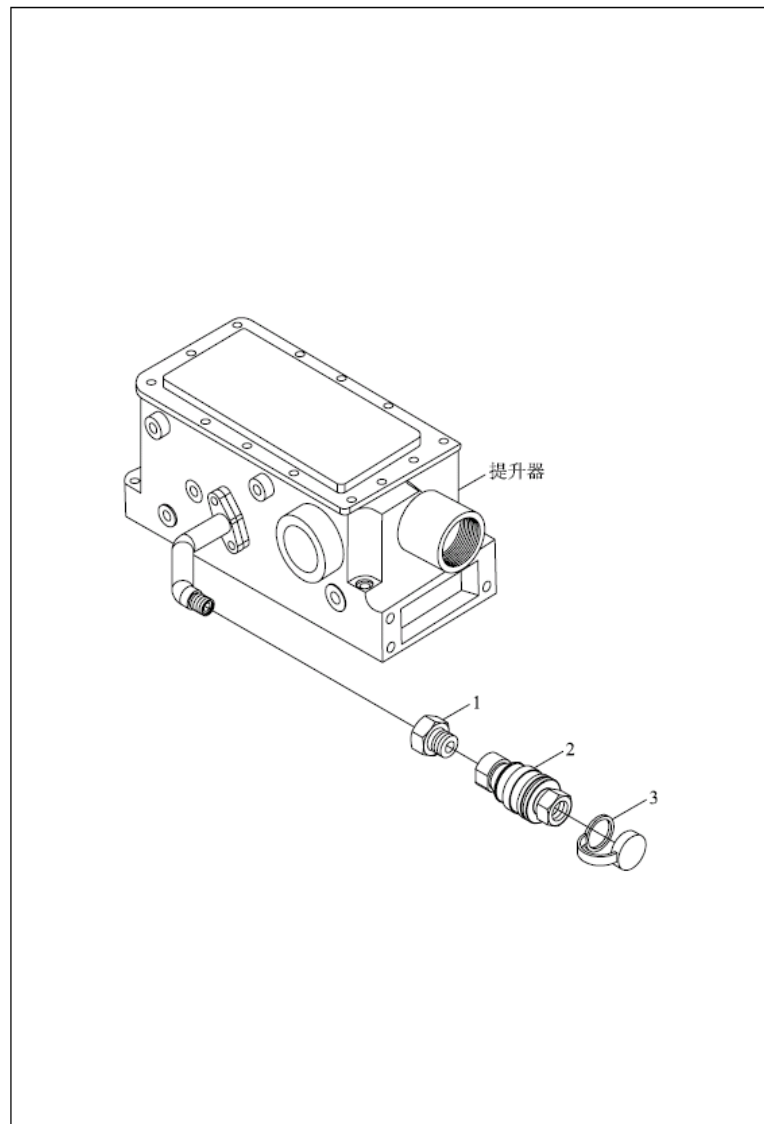
TB504.582C 多路阀操纵机构总成-3



## TB504.582C-3 58.2.3-多路阀操纵机构总成-3(续)

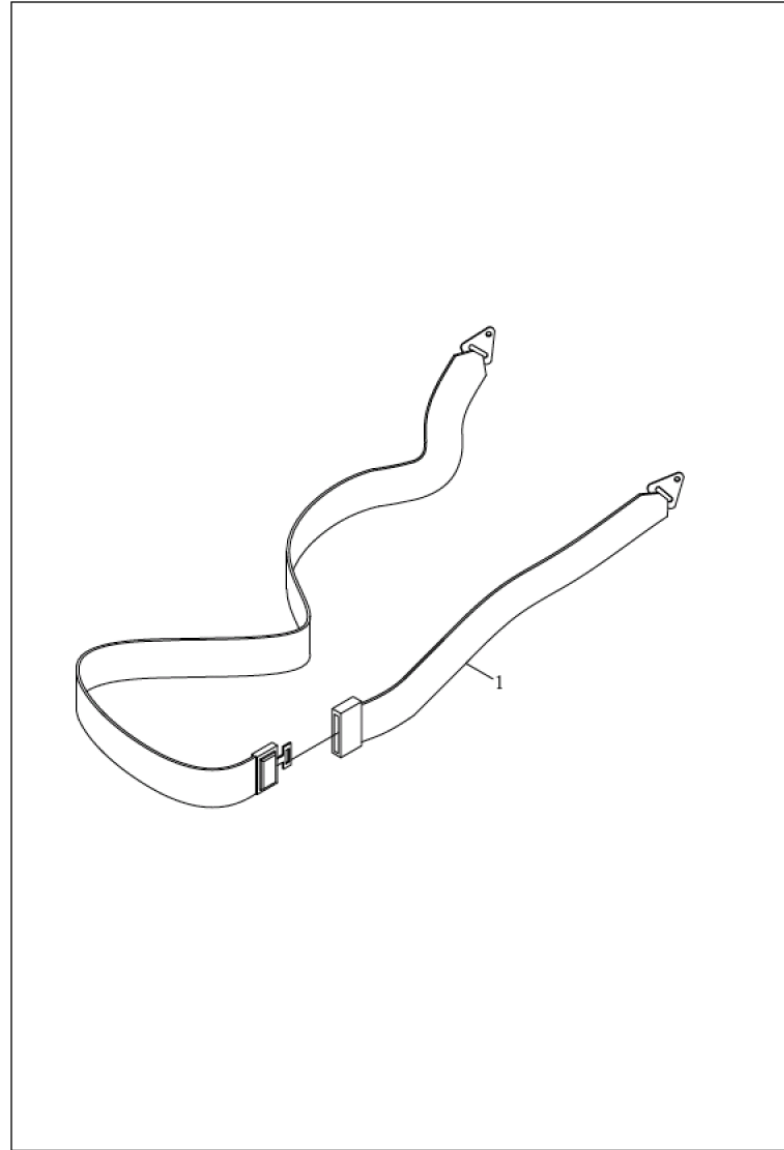
标号 No.	代号 Code	名称 Description		数量 Quantity	备注 Remark
7	TB504.582H.3	多路阀操纵杆压合1	MULTI-WAY VALVE CONTROL ROD PRESSURE	1	2010-02_
7	TB504.582A.3	多路阀操纵杆压合	UNIT 1	1	2004-01_
7	TB504.582H.3a	多路阀操纵杆压合1	MULTI-WAY VALVE CONTROL ROD PRESSURE	1	2011-09_
7.1	TB504.582A.3.1	多路阀操纵杆焊合	UNIT2	1	2010-06_
7.2	TB504.582A.1-01	尼龙隔套	MULTI-WAY VALVE CONTROL ROD PRESSURE UNIT 1	1	2010-06_
8	GBT5783-M8X35-A2L	六角头螺栓	MULTI-WAY VALVE CONTROL ROD WELDMENT	2	
9	GBT93-8-A0P	垫圈	NYLON SPACER BUSH  BOLT WASHER	2	2010-06_





## TB300.583A 58.3-单路液压输出总成2 58.3-SINGLE-WAY HYDRAULIC OUTPUT ASSEMBLY 2

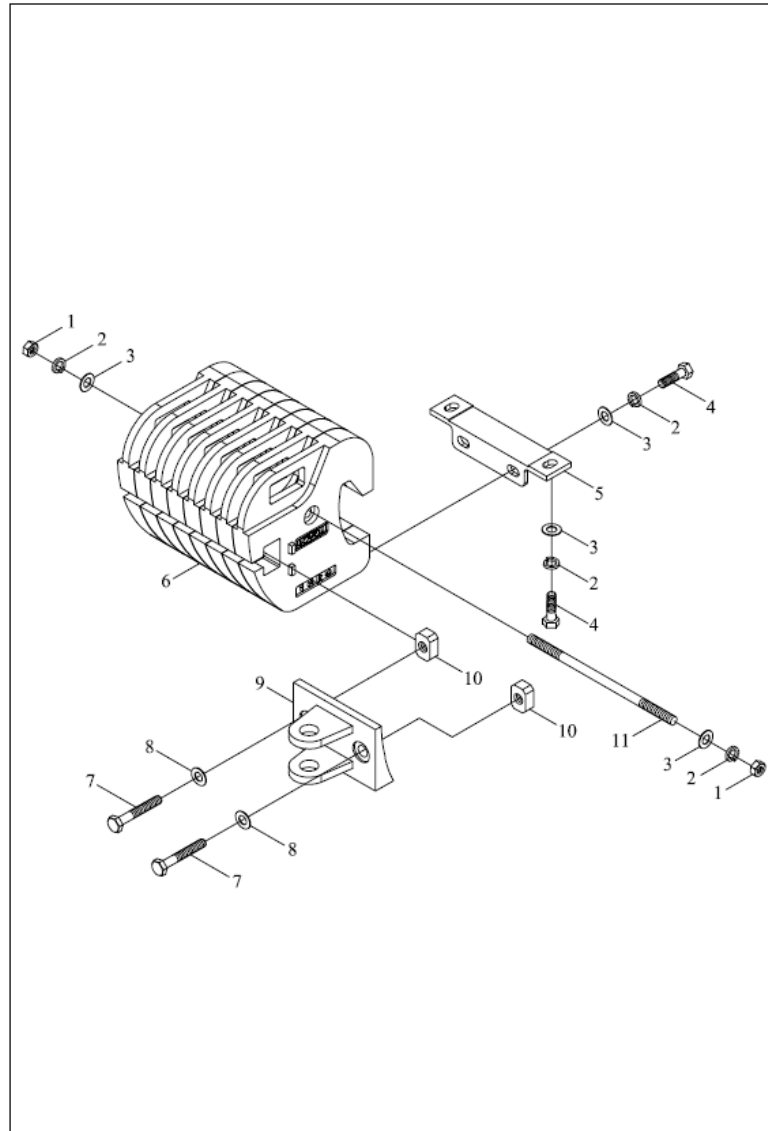
标号 No.	代号 Code	名称 Description		数量 Quantity	备注 Remark
1	FT354.58A.104	英制油管接头	BRITISH SYSTEM OIL PIPE JOINT	1	2011-11_
2	FT354.58A.030	快换接头	QUICK CHANGING JOINT	1	2011-11_
3	FT354.58A.103	防尘盖	DUSTPROOF COVER	1	2011-11_



## TA600.62ZC 62-安全带 62-SAFETY BELT

标号 No.	代号 Code	名称 Description		数量 Quantity	备注 Remark
1	TA600.62	安全带安装总成	SAFETY BELT INSTALLATION ASSEMBLY	1	2012-01_

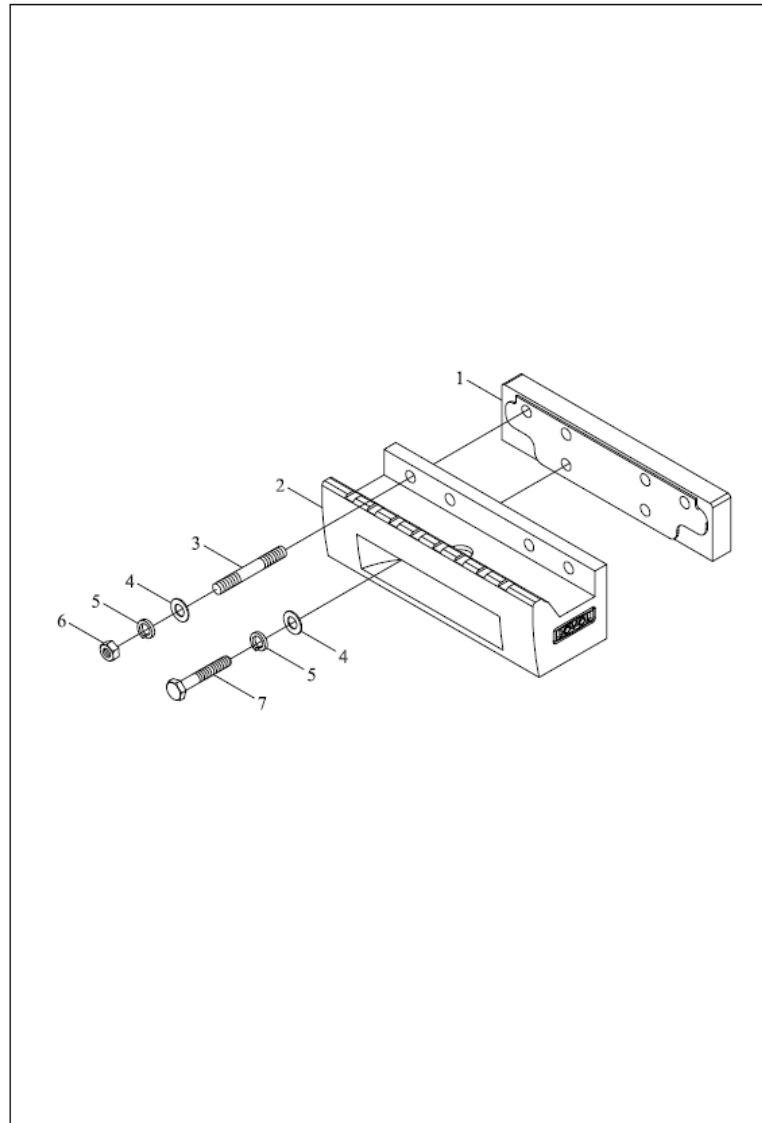
FT404.74A.002 Front balance weight assembly



FT404.74A.002 74-前配重总成 74-FRONT BALLAST ASSEMBLY

标号 No.	代号 Code	名称 Description		数量 Quantity	备注 Remark
1	GBT6170-M16-8-A3L	1型六角螺母	NUT	2	2012-09_
10	FT650.74.108	牵引螺母	TOWING NUT	2	2011-11_
11	FT404.74A.108	连接螺栓	CONNECTING BOLT	1	2011-11_
2	GBT93-16-Zn.D	标准型弹簧垫圈	WASHER	6	2011-11_
3	GBT97.1-16	垫圈	WASHER	6	2011-11_
4	GBT5783-M16X35-Zn.D	六角头螺栓	BOLT	4	2011-11_
5	FT300.74A.107	固定架	FIXING BRACKET	1	2011-11_
6	FT404.74A.010	前配重小总成	FRONT BALLAST ASSEMBLY	1	2012-01_
6.1	FT300.74A.106	配重块	BALLAST	6	2011-11_
6.2	FT300.74A.105	配重块	BALLAST	2	
7	GBT5785-M20X1.5X80-8.8-A3L	六角头螺栓	BOLT	2	
8	GBT97.1-20	垫圈	WASHER	2	2011-11_
9	FT300.74A.110	牵引耳	TOWING LUG	1	2011-11_

FT300.74B.001Fore balance weight frame assembly

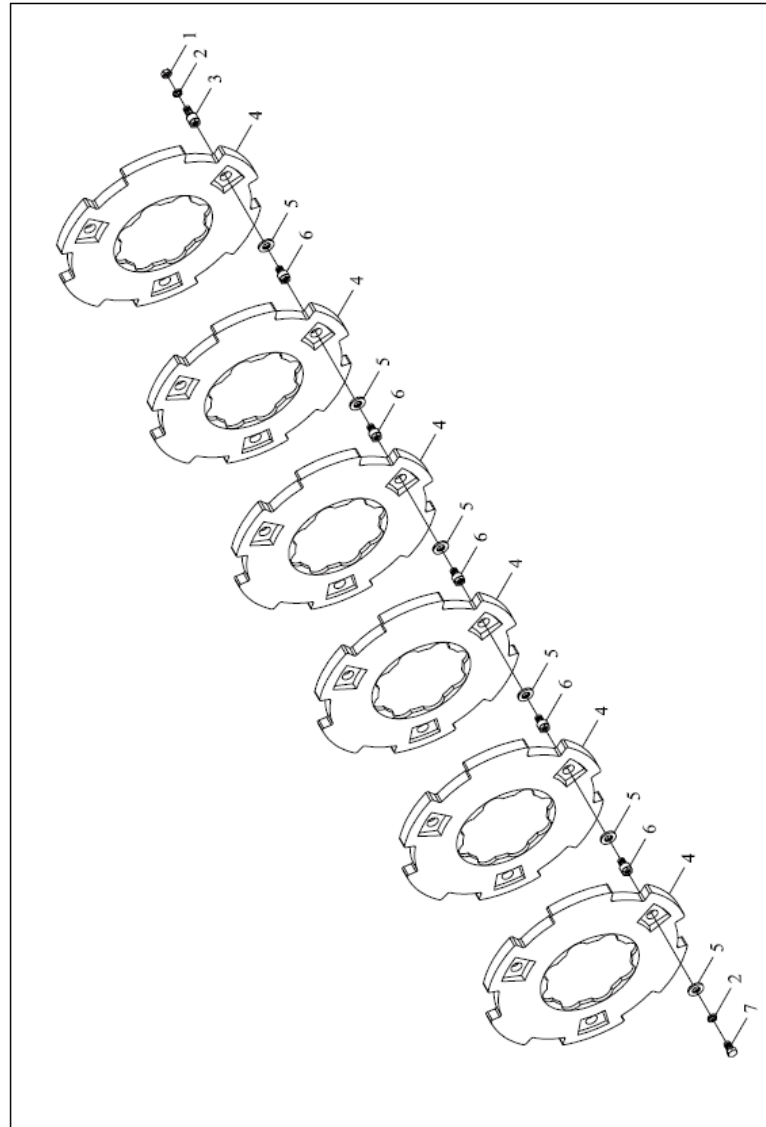


FT300.74B.001 74-前配重架总成 74-FRONT BALLAST BRACKET ASSEMBLY

标号 No.	代号 Code	名称 Description		数量 Quantity	备注 Remark
1	FT300.74B.102	前配重架垫块	FRONT BALLAST BRACKET MAT BLOCK	1	2011-11_
2	FT300.74B.101	配重架	BALLAST BRACKET	1	2009-11_
2	FT300.74A.101	配重架	BALLAST BRACKET	1	2004-01_
3	GBT898-AM16-M16X70-Zn.D	双头螺柱	8.8-A3L STUD	4	2011-11_
4	GBT97.1-16	垫圈	WASHER	6	2011-11_
5	GBT93-16-Zn.D	标准型弹簧垫圈	WASHER	6	2011-11_
6	GBT6170-M16-A3L	螺母 M16-A3L	NUT	4	
7	GBT5780-M16X90-A2L	六角头螺栓	BOLT	2	



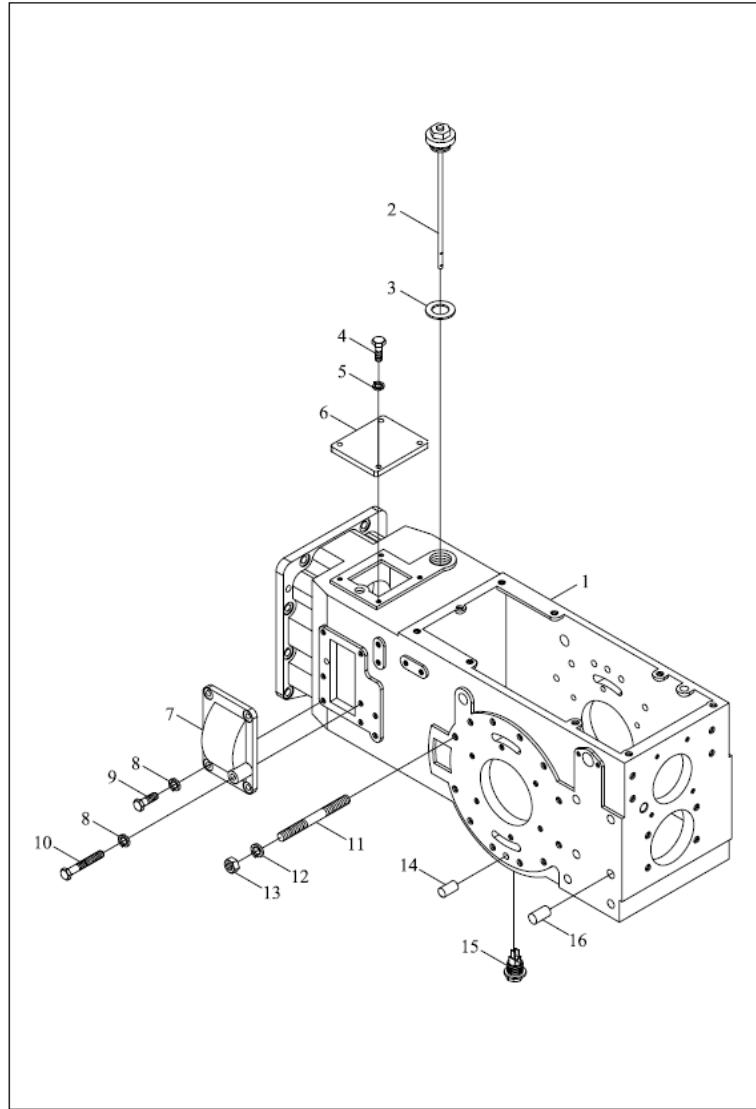
TB400.91Rear balance weight assembly



## TB400.91 91-后配重总成 91-REAR BALLAST ASSEMBLY

标号 No.	代号 Code	名称 Description		数量 Quantity	备注 Remark
1	GBT6171-M16X1.5-A3L	I型六角螺母	NUT	3	2011-11_
2	GBT93-16-A0P	弹簧垫圈	SPRING WASHER	6	2011-11_
3	TB400.91-02	后配重螺钉 I	REAR BALLAST SCREW I	3	2011-11_
4	TB400.91-01	后配重	REAR BALLAST	6	2011-11_
5	TB400.91-04	垫圈	WASHER	18	2004-01_
5	FT650.34.104	垫圈	WASHER	18	2009-09_
6	TB400.91-03	后配重螺钉 II	REAR BALLAST SCREW II	15	2011-11_
6	TB400.91-03	后配重螺钉 II	REAR BALLAST SCREW II	15	2011-11_
7	TB400.91-05	螺栓	BOLT	3	2011-11_

TB504.384 后桥壳体总成



## TB504.384 后桥壳体总成 REAR AXLE HOUSING ASSEMBLY

标号 No.	代号 Code	名称 Description		数量 Quantity	备注 Remark
1	FT300.38J.101a	后桥壳体	REAR AXLE HOUSING	1	2011-11_
10	GBT5782-M10X60-A3L	六角头螺栓	BOLT	1	2004-01_
11	GBT899-AM12-M12X1.25X150-8.8-A1L	双头螺柱	8.8-A3L STUD	24	
11	GBT899-AM12-M12X1.25X160-8.8-A1L	双头螺柱	8.8-A3L STUD	2	2010-03_
12	GBT93-12-A0P	弹簧垫圈	SPRING WASHER	24	2011-11_
13	GBT6171-M12X1.25-10-A3L	1型六角螺母	NUT	24	2004-01_
14	GBT119.1-12m6X28	圆柱销	PIN	2	2004-01_
15	FT65.38.026	油塞总成	Oil Plug assembly	1	2011-11_
15	FT65.38.026	油塞总成	Oil Plug assembly	1	2011-11_
16	TB554.384-02	销	PIN	4	2011-11_
2	FT300.38.016a	加油通气塞总成	REFUELING AND AIRING PLUG ASSEMBLY	1	2011-11_
3	JBT982-36	组合密封垫圈	COMBINED SEAL GASKET	1	2011-11_
4	GBT5783-M8X20-A2L	螺栓	BOLT	4	2011-11_
5	GBT93-8-A0P	垫圈	WASHER	4	2011-11_
6	FT300.38J.124	上盖	UPPER COVER	1	2011-11_
7	FT300.38J.206	倒档侧盖	REVERSE SIDE COVER	1	2011-11_
8	GBT93-10-A0P	标准型弹簧垫圈	WASHER	6	2011-11_
9	GBT5783-10X25-A3L	六角头螺栓	BOLT	5	2011-11_