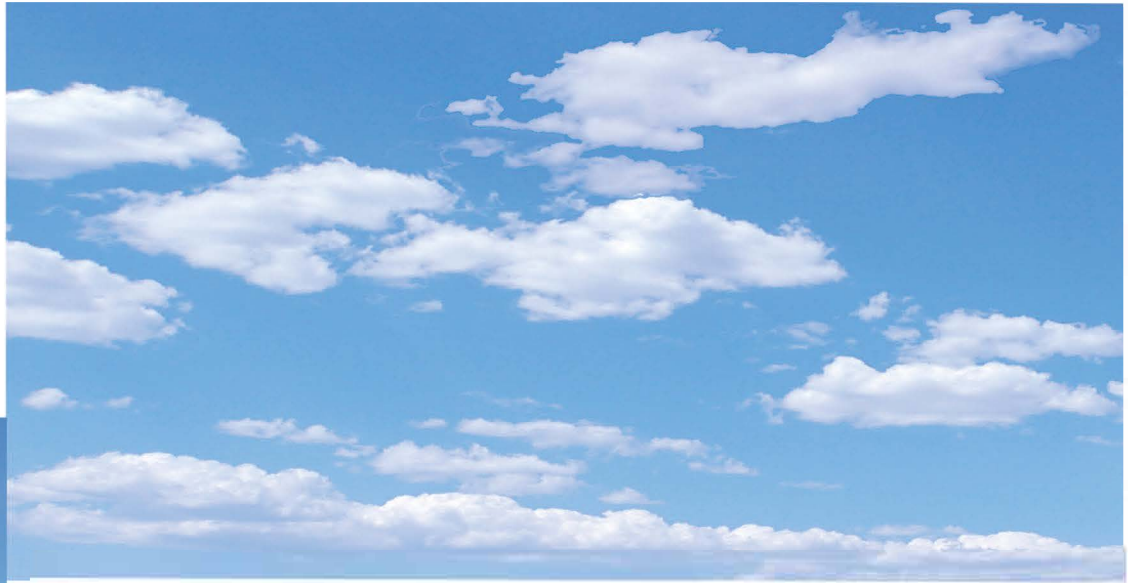


# NICOLA'S MACHINERY PTY LTD

**Small Acreage Specialist - Your one stop farming solution**



## TRIDENT TILLAGE IMPLEMENTS



**Trident implements are engineered strong and rugged, built for OZ at affordable prices, suitable for small medium acreage farmers and hobby farmers.**

# Contents

◆ DISC PLOUGH.....	1-3
◆ DISC HARROW.....	4-14
◆ UNITES ENTIRE MACHINE.....	15-16
◆ LAND ROLLER .....	16-18
◆ CULTIVATOR.....	19-22
◆ AGRICULTURAL SCRAPER.....	22-24
◆ PLOW.....	25-27
◆ RIDGER.....	28-29
◆ ROTAVATOR.....	30
◆ SPREADER.....	31-33
◆ MOWER.....	34-37
◆ TRAILER.....	38-41
◆ GRAIN CART.....	42
◆ POTATO PLANTER.....	43
◆ POTATO HARVESTER .....	43
◆ CORN FERTILIZER SEEDER.....	44
◆ DRILL.....	45
◆ LOADER.....	45-46
◆ THRESHER.....	47
◆ ANIMAL MACHINERY.....	47-50
◆ DISC BLADE.....	51-54
◆ SPARE PARTS .....	55-58

# Company Profile

We are an Australian owned and operated company based in South Australia offering an extensive range of agricultural tractors, tractor implements & parts.

We endeavour to provide the best value multi-functional compact tractors with your choice of implements for your one stop farming solution.

TRIDENT implements are made by state of the art manufacturing in China under strict testing procedures and quality control. We carry spare parts in Adelaide warehouse and will guarantee the on-time parts supply to our customers with full technical support.



## 1LY DISC PLOUGH



Matchable with tractor, it furrow soil when patches rotate, mainly applicable for complex land, such as weedy land, heavy soil, farmland with bricks and stones, etc. not tied with grass, not obstruction, can cut off stem of crop and overcome bricks and stones, with high efficiency, good quality work, easy to adjust, simple to use, durable,

Model	Number of discs	Diameter of disc (mm)	Working width(mm)	Working depth(mm)	Weight (kg)	Matched Tractor (hp)
1LY-315	3	460	450	180	170	25-30
1LY-320	3	510	600	200	190	30-50
1LY-322	3	560	660	220	316	45-55
1LY-225	2	660/710	500	250-300	305-315	50-60
1LY-325	3	660/710	750	250-300	430-450	75-90
1LY-425	4	660/710	1000	250-300	500-525	90-100
1LY-525	5	660/710	1250	250-300	600-630	100-120

## 1LYD DISC PLOUGH



It is designed to work in all types of soil for functions such as soil breaking, soil raising, soil turning and soil mixing. It is used to open the new fields and to process the stony areas. Its special design allows to easier work in rocky and rooted areas. It is specially useful in hard and dry trashy land .

Model	Number of discs	Diameter of disc (mm)	Working width(mm)	Working depth(mm)	Weight (kg)	Matched tractor (hp)
1LYD-230	2	660	500-600	250	300	50-60
1LYD-330	3	660	750-900	250	390	75-90
1LYD-430	4	660	1000-1200	250	490	90-100
1LYD-530	5	660	1250-1500	250	575	100-120

## 1LYS REVERSIBLE DISC PLOUGH

This series reversible disc plow is constructed to be horizontal swing. It's suitable for plowing up the dry cultivated land.



Model	Number of discs	Size of disc (mm)	Working width(mm)	Weight(kg)	Working depth(mm)	Matched tractor (hp)
1LYS-325	3	660-710	750-900	626-650	250-300	75-90
1LYS-425	4		1000-1200	758-790		90-100
1LYS-525	5		1250-1500	1050-1100		100-120
1LYS-625	6		1500-1800	1300-1350		120-130
1LYS-725	7		1750-2100	1450-1520		150-180
1LYS-825	8		2000-2400	1600-1680		180-210



## SEMI-MOUNTED DISC PLOUGH



The plough is matched with big tractor power, mainly applicable for complex land, such as weedy land, heavy soil, farmland with bricks and stones, etc.

It has the characteristics of not entangling grass, not blocking, not blocking earth, cutting off stem of crops and overcoming the brick and stone fragments of soil, high working efficiency, good working quality, easy adjustment, simple and durable and so on.

During long distance transportation, the suspension mechanism of the tractor should be raised, and adjust the tire frame, plow frame and traction linkage plate, make sure the plow body is in the same horizontal line. ensure smooth transportation and passability.

Model	Number of discs	Size of disc (mm)	Working width (mm)	Working depth (mm)	Weight (kg)	Matched tractor (hp)	Overall size (mm)
1LY-635	6	710x8	2100	250-300	1600	125-160	1500x4800x1100
1LY-735	7	710x8	2450	250-300	1700	160-200	1500x5500x1100
1LY-835	8	710x8	2800	250-300	1800	180-220	1500x6200x1100

## POLY DISC PLOUGH



This plow is mounted on the tractor, suitable for plowing paddy field and dry cultivated field, especially suitable for plowing paddy field, high-yield green fertilizer fields and plowing filed with rice or wheat stubble. This plow is with good working performance, good cutting soil performance. it can meet the technical requirements of agricultural production, and it is easy to operate and adjust.

Model	Number of discs	Diameter of disc (mm)	Working width (mm)	Working depth (mm)	Weight (kg)	Matched tractor (hp)	Type of Linkage
1LY-1200	5	560	1200	140	265	30-35	Type I
1LY-1440	6	560	1440	140	295	45-50	Type I
1LY-1400	5	610	1400	160	350	50-60	Type II
1LY-1600	6	610	1600	160	360	60-70	Type II
1LY-1650	6	660	1650	180	565	70-80	Type II
1LY-1900	7	660	1900	180	580	80-100	Type II

## 1BQX SERIES HANGING LIGHT DUTY DISC HARROW



This plow is mounted on the tractor, suitable for plowing paddy field and dry cultivated field, especially suitable for plowing paddy field, high-yield green fertilizer fields and plowing filed with rice or wheat stubble. This plow is with good working performance, good cutting soil performance. it can meet the technical requirements of agricultural production, and it is easy to operate and adjust.

Model	1BQX-1.1	1BQX-1.3	1BQX-1.5	1BQX-1.7	1BQX-1.9	1BQX-2.1
Number of disc	12	14	16	18	20	22
Size of disc(mm)	460x3	460x3	460x3	460x3	460x3	460x3
Working width(mm)	1100	1300	1500	1700	1900	2100
Working depth(mm)	50-150	50-150	50-150	50-150	50-150	50-150
Weight (kg)	200	220	256	270	310	326
Matched tractor (hp)	15-20	15-20	20-35	30-50	50-60	50-60



## 1BQDX HANGING PAIR SETTING LIGHT DUTY DISC HARROW



Mainly applicable for breaking up the clods of farmland, light and medium soil after furrow and loosening soil and mixing soil and fertilizer before sowing. With simple structure strong ability to rake; durable, easy to use and maintenance ,etc., meeting the requirements of intensive cultivation.

Model	Number of discs	Size of disc(mm)	Working width (mm)	Working depth (mm)	Weight (kg)	Matched power (hp)
1BQDX-1.25	16	460X4	1250	50-150	301	35-40
1BQDX-1.6	20	460/510X4	1600	50-150	364-380	44-50
1BQDX-1.95	24	460/510X4	1950	50-150	407-430	50-60
1BQDX-2.3	28	460/510X4	2300	50-150	459-487	60-75
1BQDX -2.65	32	460/510X4	2650	50-150	487-519	75-85
1BQDX-3.0	36	460/510X4	3000	50-150	530-600	85-100

## 1BQDX-G SERIES HANGING SQUARE TUBE LIGHT DISC HARROW



### LIGHT DUTY "X" TYPE DISC HARROW Standard Features :

- 1.High tensile, heat treated notched discs.
- 2.Easy gang adjustment with locking device.
- 3.Light duty grease bath bearings per gang.
- 4.Adjustable disc scrapers(optional).

Model	Number of disc	Working width(mm)	Working depth(mm)	Spacing of disc (mm)	Dia. of disc	Weight (kg)	Tractor (hp)
1BQDX-1.25G	16	1250	50-150	175	18"	390	30-40
1BQDX-1.6G	20	1600	50-150	175	18"	450	40-50
					20"	470	50-60
1BQDX-1.9G	24	1950	50-150	175	20"	520	60-75
1BQDX-2.3G	28	2300	50-150	175	20"	540	60-75

## 1BJDX SERIES MIDDLE-DUTY PAIR SETTING DISC HARROW



Mainly applicable for breaking up the clods of farmland, light and medium soil after furrow and loosening soil and mixing soil and fertilizer before sowing. With simple structure strong ability to rake; durable, easy to use and maintenance, etc., meeting the requirements of intensive cultivation.

Model	1BJDX-2.2	1BJDX-2.6	1BJDX-3.0	1BJDX-3.4
Number of disc	20	24	28	32
Dia. of disc	22"	22"	22"	22"
Thickness of disc(mm)	4	4	4	4
Working width(mm)	2200	2600	3000	3400
Working depth(mm)	150-200	150-200	150-200	150-200
Disc spacing(mm)	225	225	225	225
Square tube size(mm)	80x80x8	80x80x8	80x80x8	100x100x8
Weight(kg)	750	830	910	1065
Tractor power(hp)	60-70	70-80	90-100	100-120

## 1BJX HANGING MEDIUM-SIZED DISC HARROW



Mainly applicable for breaking up the clods of farmland, light and medium soil after furrow and loosening soil and mixing soil and fertilizer before sowing. With simple structure strong ability to rake; durable, easy to use and maintenance, etc., meeting the requirements of intensive cultivation.

Model	1BJX-1.8	1BJX-2.0	1BJX-2.2	1BJX-2.4	1BJX-2.6	1BJX-2.8
Number of disc	16	18	20	22	24	26
Diameter of disc(mm)	560	560	560	560	560	560
Working width(mm)	1800	2000	2200	2400	2600	2800
Working depth(mm)	150-200	150-200	150-200	150-200	150-200	150-200
Weight (kg)	445	472	540	650	680	800
Tractor(hp)	50-60	55-75	55-75	70-80	70-80	80-100

## 1BJ FOLDING WING OFFSET DISC HARROW

Applicable for breaking up the clods of heavy soil after furrow and removing stubbles before furrow on light and middle soil. Use folding wing structure and hydraulic pressure rubber tire to transport, with wide coverage, reasonable structure strong ability to rake; easy to use and maintain, etc.



Model	1BJ-4.4	1BJ-5.3
Number of disc	40	48
Diameter of disc(mm)	560	560
Working width(mm)	4400	5300
Working depth(mm)	150-200	150-200
Weight (kg)	2106	2756
Tractor(hp)	120-160	140-180

## 1BJTX TRAILED OR MOUNTED DISC HARROW

Applicable for breaking up the clods of heavy soil after furrow and removing stubbles before furrow on light and middle soil. with wide coverage, reasonable structure strong ability to rake; easy to use and maintain, etc.



Model	1BJTX-2.6	1BJTX-2.8	1BJTX-3.0
Number of disc	24	26	28
Diameter of disc(mm)	560	560	560
Working width(mm)	2600	2800	3000
Working depth(mm)	150-200	150-200	150-200
Weight (kg)	900	950	1000
Tractor(hp)	70-90	80-100	100-120



## 1BZ HYDRAULIC PRESSURE OFFSET HEAVY DISC HARROW



1BZ dragging off-set heavy duty disc harrow is designed for field work as crop residue processing before tillage, Breaking hardened and impervious solid surface, crushing and spreading straw, shattering soil after tillage, planning the land and preserving soil moisture, it can be used on cultivated land for tillage harrow instead of ploughing.

Standard Features: 1. High tensile, heat treated notched discs. 2. Easy gang adjustment with locking device. 3. Adjustable disc scrapers. 32mm disc axles.

Model	1BZ-1.8	1BZ-2.0	1BZ-2.2	1BZ-2.5	1BZ-3.0	1BZ-3.5
Number of disc	16	18	20	24	28	32
Size of disc(mm)	660*5					
Working width(mm)	1800	2000	2200	2500	3000	3500
Linkage	Tractor trailed					
Working depth(mm)	180-220					
Weight (kg)	1100	1200	1380	1510	1650	1890
Tractor(hp)	70-80	80-90	100-120	120-150	150-180	180-250

## 1BZX HYDRAULIC PRESSURE OFFSET HEAVY DISC HARROW

Model	1BZX-2.0	1BZX-2.2	1BZX-2.35	1BZX-2.5	1BZX-3.0	1BZX-3.5
Number of disc	18	20	22	24	28	32
Diameter of disc(mm)	660*6					
Working width(mm)	2000	2200	2350	2500	3000	3500
Weight (kg)	1740	2050	2150	2250	2450	2950
Tractor(hp)	85-95	95-100	100-130	130-160	140-180	180-250
Disc spacing	9"(230mm)					
Axle size	Square or round 1.4/7"(40mm)					
Depth cut	7"-8.5/8"(180-220mm)					
Bearing Assembly	Grease or oil bath					



This harrow has high harrowing capacity with reasonable utilization of power, great ability to cut and shatter the soil, level soil surface and loosen soil after harrowing, being well adaptable for heavy clay soil wasteland and weedy fields as well. This harrow has been adopted combined structure whose rigid frame is welded with rectangular tube, equipped with hydraulic up and down road wheel spring leveling device and tapered roller bearings and square/round inner hole special for disc harrow. Therefore this machine is easy to move with small turning radius simple to be adjusted and maintained.

## 1BZZ HYDRAULIC PRESSURE OFFSET HEAVY DISC HARROW

Applicable to wasteland, swamp shrub land, heavy soil and stubble land before ploughing, breaking clods after ploughing, loose soil, can replace the plough on the mature land to carry out the soil ploughing operation



Model	Number of disc	Size of disc	Working width (mm)	Working depth (mm)	Weight (kg)	Matched tractor (hp)	Overall size (mm)
1BZZ-16	16	760X8	2800	200-280	3600	150-180	7800X3500X1300
1BZZ-20	20	760X8	3400	200-280	3920	180-200	7900X4100X1300
1BZZ-24	24	760X8	4000	200-280	4420	200-240	8200X5000X1300
1BZZX-20	20	810X10	3300	200-300	4250	180-220	7900X4100X1300
1BZZX-24	24	810X10	3900	200-300	4800	200-300	8200X5000X1300
1BZZX-28	28	810X10	4500	200-300	5300	200-300	8200X5000X1300

## 1BZY HYDRAULIC PRESSURE OFFSET HEAVY DISC HARROW

The traction type hydraulic offset heavy disc harrow is mainly suitable for smashing the stubble before ploughing, breaking the surface knot, cutting the straw into the field, breaking up the clods after ploughing, leveling and protecting the hoe, etc., and can also replace the plough on the mature land to carry out the soil ploughing operation. The work efficiency is high, the power utilization is reasonable, and the ability to break up the soil is strong. After the working, the surface is smooth and the soil is loose. It has strong adaptability to the field with heavy soil, wasteland and weeds.



Model	Number of disc	Size of disc	Working width (mm)	Working depth (mm)	Weight (kg)	Matched tractor (hp)	Note (Bearing Assembly)
1BZY-1.8	16	610x6	1800	150-200	1420	70-85	Grease or oil bath
1BZY-2.0	18	660x6	2000	180-220	1580	85-100	Grease or oil bath
1BZY-2.2	20	660x6	2200	180-220	1660	100-120	Grease or oil bath
1BZY-2.5	24	660x6	2500	180-220	2100	125-150	Grease or oil bath
1BZY-3.0	28	660x6	3000	180-220	2300	150-180	Grease or oil bath
1BZY-3.5	32	660x6	3500	180-220	2850	150-180	Grease or oil bath
1BZY-4.0	36	660x6	4000	180-220	3100	180-200	Grease or oil bath

## 1BZD HYDRAULIC PRESSURE PAIR SETTING HEAVY DISC HARROW



Applicable for breaking up the clods and loosening of wasteland, shrub swamp, heavy soil, can rake the land instead of plough, and can also replace the plough on the mature land to carry out the soil ploughing operation. The work efficiency is high, the power utilization is reasonable, and the ability to break up the soil is strong. After the working, the surface is smooth and the soil is loose. It has strong adaptability to the field with heavy soil, wasteland and weeds.

Model	1BZD-2.7	1BZD-3.2	1BZD-3.5
Number of disc	24	28	32
Diameter of disc(mm)	660	660	660
Working width(mm)	2700	3200	3500
Working depth(mm)	200-220	200-220	200-220
Weight (kg)	2100	2500	3000
Tractor(hp)	100-120	100-120	120-150

## 1BZD HYDRAULIC PRESSURE PAIR SETTING HEAVY DISC HARROW

The 1BZD heavy duty disc harrow is used for stubble ploughing, hopping the plant residues prior of cultivation and very effectively on the heavy soils where other disc harrow can not operate. It is easy to transport the machine from one field to another by assistance of hydraulic lifted wheels on the equipment. On the field, corner turnings became faster by the assistance of the hydraulic lifters operated from tractor cabin. It is easy to adjust the working depth by the up and down movement of the wheels.



Model	1BZD-6.5	1BZD-7.5	1BZD-8.5	1BZD-9.0	1BZD-9.5
Number of disc	64	72	80	84	88
Diameter of disc(mm)	660				
Working width(mm)	6500	7500	8500	9000	9500
Working depth(mm)	180-220				
Weight (kg)	7000	7200	7500	7650	8300
Tractor(hp)	300	350	400	400	500



## 1LZX UNITES ENTIRE MACHINE-SUSPENSION TYPE



Technical specifications		Model					
		1LZX-3.0G	3.0H	4.0H	1LZX-3.0H	3.5H	4.0H
Working width	mm	3000	3500	4000	3000	3500	4000
Length of the roller	mm	2900	3400	3900	2900	3400	3900
Diameter roller	mm	450	450	450	450	450	450
Type roller		TAVALUG PACKER			TAVALUG COARDA		
Number batteries discs	pcs	2	2	2	2	2	2
Number of discs	pcs	24	28	32	24	28	32
Distance between discs	mm	240	240	240	240	240	240
Diameter discs	mm	560			560		
Working depth	mm	180	180	180	180	180	180
Working speed	km/h	7--12	7--12	7--12	7--12	7--12	7--12
Productivity	ha/h	2.1-3.3	2.5-3.9	2.8-4.4	2.1-3.3	2.5-3.9	2.8-4.4
Required tractor power	hp	100-130	110-130	120-150	100-130	110-130	120-150
Length	mm	1500	1700	1700	1500	1700	1700
Width	mm	3000	3500	4000	3000	3500	4000
Height	mm	1500	1500	1500	1500	1500	1500
Weight	kg	1620	1950	2150	1400	1750	1950

## 1BJE UNITES ENTIRE MACHINE-PARALLEL TYPE

Model	Number of disc	Size of disc (mm)	Working width(mm)	Working depth(mm)	Weight (kg)	Matched tractor (hp)
1BJE-3.0	32	610x6	3000	150-200	2700	150-180
1BJEZ-3.0	26	610x6	3000	150-200	3250	150-180

Applicable to wasteland, swamp shrub land, heavy soil and stubble land before ploughing, breaking clods after ploughing, loose soil, can replace the plough on the mature land to carry out the soil ploughing operation.



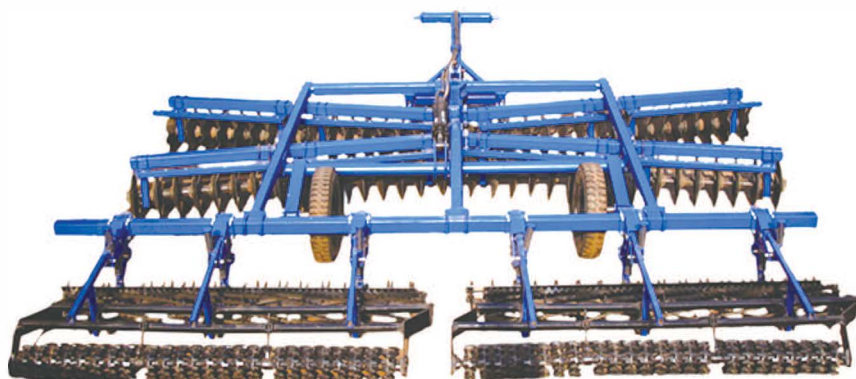
## 1BQD FOLDING LIGHT DISC HARROW



1BQD 7.2 hydraulic pressure contraposition folding light harrow Mainly applicable for breaking up the clods of farmland after furrow and loosening soil and mixing soil and fertilizer before sewing; with assistant harrow at each side and hydraulic pressure rubber tire, reasonable, durable, easy to transport.

Model	Number of disc	Diameter of disc(mm)	Working width(mm)	Working depth(mm)	Weight (kg)	Tractor (hp)
1BQD-7.2	84	460	7200	100-150	2917	120-150

## 1LZ- UNITES ENTIRE MACHINE -TANDEM TYPE



Especially matchable with tractor, Applicable to wasteland, swamp shrub land, heavy soil and stubble land before ploughing, breaking clods after ploughing, loose soil, can replace the plough on the mature land to carry out the soil ploughing operation. The roller is used for breaking up the clods and leveling the ground.

Working width(m)	3.6	4.2	5.4	7.2
Working depth(mm)	120-140	120-140	120-140	120-140
Diameter of disc(mm)	460	460(510)	460(510)	460(510)
Spacer(mm)	170	170	170	170
Disc assembly angle	3° /6° /9° /11° /13°	3° /6° /9° /11° /13°	3° /6° /9° /11° /13°	3° /6° /9° /11° /13°
Overall dimensions(mm)	6600*3800*800	6600*4400*800	6600*6500*800	6600*9200*800
Ground clearance(mm)	>300	>300	>300	>300
Working speed(km/h)	7-9km/h	7-9km/h	7-9km/h	7-9km/h
Matched power(HP)	90-100	100-120	120-140	150-180
Weight (kg)	2200	2500	3000	3900

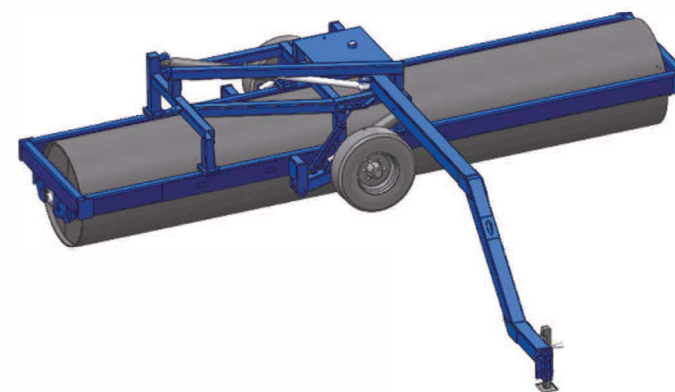
## 1LZ-12 COMBINED CULTIVATOR

Model	Number of disc	Diameter of disc(mm)	Working width (mm)	Working depth (mm)	Weight (kg)	Matched tractor (hp)	Tyre size
1LZ-12	108	560x5	12000	150-180	20000	400-500	550 /45-22.5

It is farmland stubble soil preparation equipment, especially matched with tractor. The discs cutting the stubble and grass, breaking up the soil, rolling and milling clods, pressing down the soil surface. It can achieve the results of topsoil crushing, leveling, pressed down when working. It with reasonable structure and easy to use.



## 1YG-6100 TWIST ROLLER



Used for surface crushing and compaction after plowing or after sowing, the working part is the pressure roller. The connecting part of the bearing seat is added with cushioning and locking device, which relieves the impact of equipment during work and increases the service life of the equipment.

Model	1YG-6100
Working Width(mm)	6100
Roller Diameter(mm)	Φ 1020
Transport Width(mm)	2500
Weight (kg)	3800,4500
Roller Thickness(mm)	12,16



## TRI-PLEX LAND ROLLER



Used for surface crushing and compaction after plowing or after sowing, the working part is the pressure roller. The side roller can be folded with hydraulic cylinder. This product adopts hydraulic locking and lifting function, which is convenient for operation. The connecting part of the bearing seat is added with cushioning and locking device, which relieves the impact of equipment during work and increases the service life of the equipment.

Model	1YG-3012	1YG-4212	1YG-5212	1YG-6212
Working size LxWxH	5800x9400x1230	5800x13100x1230	5800x16100x1230	5800x18500x1230
Weight (kg)	6900, 8000	8200, 9400	9100, 10800	12600, 18900
Working width(mm)	9100	12800	15800	18200
Transport width(mm)	3800	3800	3800	6150
Roller thickness(mm)	12,16			
Roller diameter(mm)	Φ1020	Φ1020	Φ1020	Φ1020
Matched power (HP)	160-200	200-240	200-240	260-300
Linkage	Trailed	Trailed	Trailed	Trailed

## 1YL LAND ROLLER

Model	Working width (mm)	Weight (kg)	Matched tractor (hp)	Overall size (mm)
1YL-3.0	3000	1700	80-100	3500*2800*1100
1YL-4.0	4000	2070	100-120	4500*2800*1100
1YL-6.5	6500	3500	120-180	6572*2800*1100

Used for surface crushing and compaction after plowing or after sowing, the working part is the pressure roller. After the compaction, the surface soil is compacted, which can make soil moisture. It is beneficial to grain seeding, increase germination rate, resist drought and cold in winter, so that wheat can safely overwinter. Working width is wide, 10-15 acres per hour.



## 1BG STUBBLE-CLEANING MACHINE



The product has high efficiency. The blade is sharp and hard. It cuts and removes crop stubble and weeds left in the field after harvest and loosens the soil. Seeding can be done directly after the operation.

Model	Working width (mm)	Weight (kg)	Matched power (hp)	Overall width (mm)	Tyre No.
1BG-6.2	6200	5760	120-140	6490x6630x1690	6
1BG-7.5	7500	6861	120-140	6490x7840x1690	12
1BG-9.2	9200	7802	140-160	9600x6450x1688	12
1BG-12.5	12500	10600	160-200	13000x6694x1700	6

## 3ZT FIELD CULTIVATOR



1) The machine has the characteristics of convenient space adjustment and easy depth adjustment. Its structure is reasonable, durable, easy to use, easy to maintain and can meet the agronomic requirements of intensive farming.

2) The machine adopts double spring tension device, in which the plow tip can automatically bounce up when it encounters obstacles in the working process, and quickly restore its original working state after crossing, thus playing the role of protecting the plow tip. The vibration of plough legs caused by uneven soil resistance is helpful to reduce the matching power.

3) The machine can install two types of plough tips: deep-loosening plough tips and loosening shovel, so that the machine can be applied to middle tillage, loosening soil, moisture conservation, weeding and other operations of field crops.

Model	3ZT-5	3ZT-7	3ZT-9	3ZT-11	3ZT-15
No. of tine	5	7	9	11	15
Working depth(mm)	200-250	200-250	200-250	200-250	200-250
Working width(mm)	1200	1500	2100	2850	3000
Matched power(hp)	30-40	50-65	60-80	60-80	80-110
Weight (kg)	200	255	315	370	520

## 3ZTZ SUBSOILER CULTIVATOR

Model	No. of tines	Working width (mm)	Working depth (mm)	Weight (kg)	Matched power (hp)	Overall size (mm)
3ZTZ-5	5	2000	200-400	750	100-125	2200X2400X1350
3ZTZ-7	7	3000	200-400	950	130-150	3400X2400X1350
3ZTZ-9	9	4000	200-400	1150	160-180	4400X2400X1350

The deep loosening machine has deep depth and good passability, and belongs to local deep looseness. It is suitable for deep loosening operation under the condition of wheat sorghum straw covering and corn straw smashing to cover the surface. The wild type deep-slung machine has a large loose soil area and has the function of weeding, and has good passability, but the working resistance is large, and the surface is not smooth after the operation, and the deep loose operation under the condition that the straw is crushed to cover the surface is applied.



## 1LHS CHISEL PLOW

Applicable for deep loosening of land and breaking up clods, with small turning radius. Save fuel and labor; with good economic returns, suitable for promotion.



Item	No. of tine(pc)	Working depth(mm)	Working width(mm)	Weight (kg)	Matched power(hp)
1LHS-5	5	200-350	1200	200	55-75
1LHS-7	7	200-350	1500	260	80-100
1LHS-9	9	200-350	1800	350	110-150



## 1LHST SPRING SUBSOILER PLOW

The machine adopts the spring plate pulling device. When the plowing machine encounters an obstacle during the working process, it can automatically bounce, and after crossing, it can quickly restore the original working state, thereby protecting the plow tine. The machine has the characteristics of convenient line spacing adjustment and easy depth adjustment. The machine is mainly suitable for deep ploughing, loosening, soil moisture and weeding of field crops.



Model	No. of tines	Working width (mm)	Working depth (mm)	Weight (kg)	Matched power (hp)	Overall size (mm)
1LHST-5	5	2000	300-500	1146	80-100	3000X3000X1350
1LHST -5	5	2000	300-500	1260	80-100	3000X3000X1350
1LHST -7	7	3000	300-500	1467	100-120	4000X3000X1350
1LHST -7	7	3000	300-500	1581	100-120	4000X3000X1350
1LHST -9	9	4000	300-500	1856	140-160	5000X3000X1350
1LHST -9	9	4000	300-500	1970	140-160	5000X3000X1350
1LHST -11-2	11	5000	300-500	2186	160-200	6000X3000X1350
1LHST -11-4	11	5000	300-500	2300	160-200	6000X3000X1350
1LHST -13	13	6000	300-500	2710	200-240	7000X3000X1350

## 1LHSX SOIL LOOSENER

Mo	1LHSX-1800	1LHSX-2700	1LHSX-3600
Spacing(mm)	450	450	450
Working width(mm)	1800	2700	3600
Working depth(mm)	450	450	450
Weight (Kg)	1200	1500	1800
Matched power (hp)	100-150	160-180	200-250

When cultivating the soil, it will loosen the soil without turning over the soil layer. After the ploughing, the surface will be covered with wreckage, which can reduce soil erosion and is suitable for drought, rocky and the soil in areas with serious soil erosion is basically cultivated. The depth of ploughing is generally 45 cm.



## REAR BLADE

### Specifications

- Capable of tackling tough grading projects.
- Heat treated reversible and replaceable cutting edge.
- Standard parking stand for safe and easy mounting.
- Hydraulic blade angle adjustment up to 50 degrees
- Hydraulic blade offset adjustment up to 35 degrees
- Hydraulic blade tilt adjustment up to 15 degrees



Model	BXH-7	BXH-8	BXH-10
working width(mm)	2100	2400	3000
Bucket height(mm)	600	600	600
Overall dimension(mm)	2200x1550x2200	2500x1550x2200	3000x1550x2200
Weight(kg)	310	340	360
Matched power(hp)	50-60	50-60	60-80
Packing dimension(mm)	2300*800*600	2600*800*600	3100*800*600

## BLADE SCRAPER

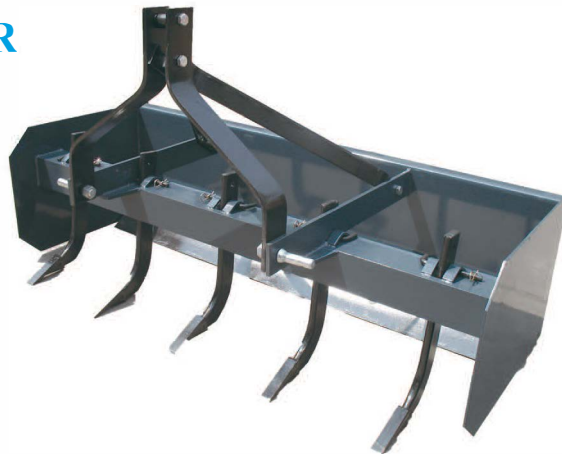
### Standard Features

- Replacable high carbon steel blade.
- Tilt angle adjustment.
- Ideal for landscaping, leveling, finish grading.



Item	BX-4	BX-5	BX-6	BX-7	BX-8
Working width(Ft.)	4	5	6	7	8
working width(mm)	1220	1530	1830	2135	2440
Weight(kg)	80	90	100	138	170
Matched power(HP)	25-30	25-30	40-60	40-60	40-60

## BOX SCRAPER



This scraper is perfect for landscaping, levelling, backfilling, and grading. With forward facing rippers to break up the soil and a high carbon steel blade, breaking up and levelling out is achieved in a single pass. A further replaceable rear facing steel blade is available to back fill if required.

Item	Overall depth(mm)	Working width(mm)	Weight(kg)	Matched power(hp)
SBX-4	547	1220	135	18-25
SBX-5	547	1530	170	25-30
SBX-6	547	1830	205	40-50
SBX-7	547	2135	240	50-60
SBX-8	547	2440	270	50-60

## AGRICULTURAL SCRAPER

This agricultural scraper is used in the displacement of large amounts of soil from one area to another. It has side wheels to assist works performed on slopes and has dumping system powered by hydraulic cylinder.

It is ideal for soil leveling and movement services for earthworks, dams agricultural paths and pavement in general, irrigation channel or changing water flow, terrain leveling for buildings, and other applications such as projects for lowland.



Model	Working depth(mm)	Capacity weight (kg)	Capacity (level) (m³)	Capacity (fullfilled)(m³)	Weight (kg)	Matched power (hp)
1PS-1	100	4000	1.7	1.95	1100	70-80



## 1BCM ARENA PLOUGH

1BCM ARENA PLOUGH Designed to renovate and condition horse areas and tracks in a single pass.

Consists of two rows of heavy-duty S-tine shanks with reversible points to loosen and cultivate the soil, an adjustable bar for levelling the soil, and a pipe rear roller to gauge the depth and pack the soil for a uniform finish.

The ARENA PLOUGH provides a firm, yet giving surface to ensure a secure footing for your horses.



Model	1BCM-1.8	1BCM-2.2	1BCM-3.0
Working depth(mm)	50-100		
Working width(mm)	1800	2200	3000
Matched power(HP)	25-40	35-55	60-80
Weight (kg)	336	362	415

## 1LX SHARE PLOW

The most commonly used soil tillage equipment. Its main working part is a plow body composed of a ploughshare, a plow wall and so on. The plow have different functions of turning soil, loose soil, crushed soil and covering weed residues.



Model	Number of share	Working depth(mm)	Working width(mm)	Weight (kg)	Tractor(hp) required
1LX-325	3	250-300	750	374	50-60
1LX-425	4		1000	480	70-90
1LX-525	5		1250	580	100-120
1LX-330	3		900	632	80-100
1LX-430	4		1200	736	120-140

## 1L FURROW PLOW

Standard Features, Excellent plough- tractor balance. Simple & strong design for all conditions. Big variety of working width choice for all tractors.



Model	No. of ploughshare	Working width(mm)	Working depth(mm)	Weight (kg)	Tractor (HP)
1L-220	2	400	150-240	66	15-24
1L-320	3	600	150-240	118	25-35
1L-420	4	800	150-240	148	30-35
1L-325	3	750	150-240	158	30-45
1L-425	4	1000	150-240	195	40-50
1L-525	5	1250	150-240	255	55-80
1L-330	3	900	200-350	260	50-80
1L-430	4	1200	200-350	360	60-80
1L-530	5	1500	200-350	470	90-120
1L-335	3	1050	200-350	320	55-80
1L-435	4	1400	200-350	410	60-80
1L-535	5	1750	200-350	490	90-120

## 1LF SWIVEL PLOUGH



The swivel plow is matched with tractor, and the double-distributor controls the lifting and the turning of the plow. Strong design for all conditions. Big variety of working width choice for all tractors.

Model	No of plowshare	Series of plowshare	Working width(mm)	Working depth(mm)	Matched power(HP)	Weight (kg)
1LF-320	3	20	600	150-240	25-35	260
1LF-327	3	27	810	150-240	40-60	420
1LF-427	4	27	1080	150-240	55-80	520
1LF-527	5	27	1350	150-240	80-100	780
1LF-627	6	27	1620	150-240	80-120	900
1LF-727	7	27	1890	150-240	90-140	1200
1LF-330	3	30	900	200-350	50-80	680
1LF-430	4	30	1200	200-350	60-80	880
1LF-530	5	30	1500	200-350	90-120	1200
1LF-630	6	30	1800	200-350	130-200	1500
1LF-335	3	35	1050	200-350	50-80	750
1LF-435	4	35	1440	200-350	90-155	920
1LF-535	5	35	1750	200-350	120-155	1230
1LF-635	6	35	2100	200-350	130-200	1550
1LF-735	7	35	2450	200-350	160-240	1900

## 1LR DISC RIDGER

The ridger is mainly suitable for field ploughing and ploughing operations. The ridger has the characteristics of ridge distance, ridge height, ridge row, convenient angle adjustment, wide supporting range and strong adaptability



Model	Number of discs	Diameter of disc (mm)	Working width(mm)	Working depth(mm)	Weight (kg)	Tractor (hp)
1LR-510	4	510	700-1000	150-255	179	35-50
1LR-560	4	560	700-1000	150-280	184	50-60
1LR-610	4	610	700-1000	200-305	310	60-80
1LR-660	4	660	700-1000	200-330	330	60-80

## 1LRZ-660 DISC RIDGER

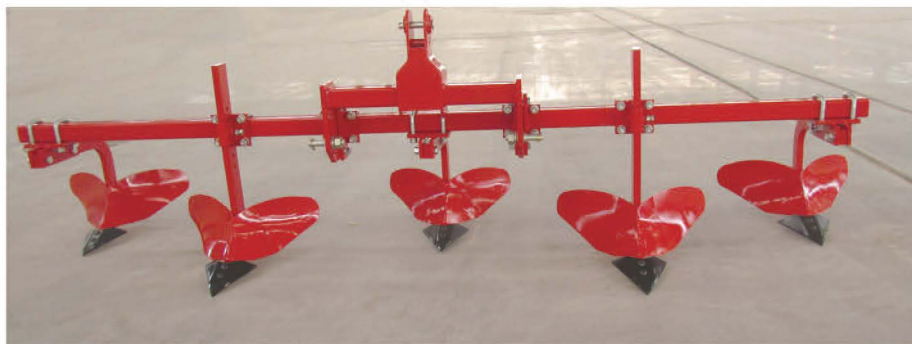
The ridger is mainly suitable for field ploughing and ploughing operations . The ridger has the characteristics of ridge distance, ridge height, ridge row, convenient angle adjustment, wide supporting range and strong adaptability



Model	Number of disc	Working depth (mm)	Working width (mm)	Space of disc (mm)	Diameter of disc (mm)	Required power (Hp)	Total weight (Kg)
1LRZ-660	4	300	2500	1000 (adjustable)	660	60-100	460



## 1K SERIES FURROWER



It is suitable for furrowing or ridging operations in dry farming areas. Its characteristics are that the spacing between plough legs can be adjusted to meet the requirements of various furrows, and only one or two ploughs can be used. It has strong adaptability and is very suitable for terraces and small plots of land.

Model	unit	1K-1	1K-2	1K-3	1K-4	1K-5
Number of coulter		1	2	3	4	5
Working width	mm	1000	1800	2700	3700	4700
Working depth	mm	300	300	300	300	300
Space of coulter	mm	600-900	600-900	600-900	600-750	600-750
Tractor power	hp	20-30	30-50	50-70	80-120	120-180
Rough weight	kg	100	190	280	370	450

## 1LP-610 LEVEE PLOW



The disc ploughing plough is a series-connected adjustable ridge plough. The adjustment can control the width and spacing of the ridge. The angle can be set from 18 degrees to 28 degrees. The cutting angle and the number of ploughs can be adjusted, and it is easy to create one. The ridge that suits your needs. The sealing effect of the bearing seat is good, and the sealing is applied in the forward and reverse directions. The double-layer sealing design makes the sealing better, effectively prevents the intrusion of dust and dirt, protects the bearing and prolongs the service life of the bearing.

Model	Number of discs	Size of disc (mm)	Working width(mm)	Working depth(mm)	Weight (kg)	Tractor (hp)
1LP-610	8	610x6	2700-3000	200-305	780	80-100

## 1GQN ROTAVATOR

Rotary tiller is the ideal machine for the larger farmer. A wide range of rear roller and attachments make this machine suitable to meet any farming requirement.



Model	Working width (mm)	Working depth(mm)	Number of blades	Weight (kg)	Overall dimension (mm)	Matched power (hp)
1GQN-125	1250	100-160	32	220	1360×780×960	20-30
1GQN-140	1400	100-160	36	245	1530×780×960	30-40
1GQN-150	1500	100-160	40	250	1650×780×960	30-40
1GQN-160	1600	100-160	44	275	1750×780×960	40-50
1GQN-180	1800	120-180	52	340	2050×1100×1020	50-70
1GQN-200	2000	120-180	64	360	2290×1100×1020	60-80
1GQN-250	2500	120-180	72	430	2780×1150×1020	100-120
1GQN-270	2800	120-180	80	510	3100×1250×1100	130-150
1GQN-300	3000	120-180	84	700	3250×1250×1100	140-150
1GQN-350	3500	120-180	100	750	3780×1250×1100	150 or above

## CDR FERTILIZER SPREADER

Mainly applicable for spreading fertilizer, sowing seeds and mixture of fertilizer and seeds. With 25-50 horsepower, broadcast range is 10M-16M, compact structure, high performance, wide application, high efficiency, uniform broadcast sowing, etc.



Model	Capacity(L)	Spreading Width(m)	Net Weight(kg)	Tractor(hp)
CDR-400	260	10-16(Adjustable)	75	25-50
CDR-600	400	10-16(Adjustable)	85	25-50

## 2CDRX DOUBLE DISC SPREADER



2CDRX Double disc spreader is used to make high quality, large scale, efficient sowing equipment, mainly for agricultural land zero tillage seeding fertilizer before, after the no-tillage seeding and seed fertilizer mixed seeding pastures, rangelands, snow snow-melting agent scattered job. The machine 50-100HP four-wheeled tractors with rear suspension. Applicable to agriculture, forestry, pasture flat arable land, grassland and sloping land, hilly areas with different conditions, such as seeding and fertilization. This machine has good maneuverable, scattered evenly, using simple structure, easy to operate, reliable and so on.

Model	Capacity(L)	Spreading Width(m)	Weight(kg)	Matched power(hp)
2CDRX-800	800	16-24 (Adjustable)	320	60-80
2CDRX-1100	1100	16-24 (Adjustable)	445	80-100
2CDRX-1400	1400	16-24 (Adjustable)	470	80-120

## 2CDR TRAILED SPREADER



Model	Capacity (L)	Spreading Width(m)	Weight (kg)	Matched power(hp)
2CDR-800	800	16-24 (Adjustable)	500	50-80
2CDR-1100	1100	16-24 (Adjustable)	625	80-100
2CDR-1400	1400	16-24 (Adjustable)	650	80-120



## ATV-CDR SEEDER SPREADER

Seeding pastures or cover crops, fertilizer. The model helps get a head start early in the season.

The 12 Volt Electric ATV seeder has a bushel capacity hopper to promote longer produce life. The adjustable flow control mounted on the ATV is easy to adjust and provides better control over material.



Model	Capacity (L)	Height (mm)	Weight (kg)	Packing dimension (mm)	Matched Electric Voltage(V)
ATV-CDR	32	65	17	510×410×710	12

## 3ZFQ CULTIVATOR FERTILIZER



3ZFQ Lawn fertilizer machine is used for grass sowing and fertilizing. It is Suitable for dry granular fertilizer. Front discs open the straw board and the tine point break the lawn less. The tine point cultivating and it put the fertilizer into the soil at same time to less the fertilizer volatile loss.

Model	Overall size (LxWxH)(mm)	Weight (kg)	Working width	Rows No. (row)	Rows distance (mm)	Matched power (hp)
3ZFQ-4	2000x4500x1750	450	1800	4	500-600	50-70
3ZFQ-6	3200x4500x1750	700	3000	6	500-600	70-120

## 9G MOWER



Model 9G mower are suitable for cleaning and slashing in bush and grassland, As well as improving uneven ranch. The machine is scientific in design, durable in service, easy to operate and maintain, adjustable in cutting height and has excellent working performance. They are more ideal agricultural machines for grass slashing and ranch cleaning.

Model	Overall Dimension			Cutting width	Cutting height	Weight	Matched power
	width	length	height				
unit	mm	mm	mm	mm	mm	kg	HP
9G-1.0	1200	1400	800	1000	100-300	260	18-30
9G-1.5	1700	1900	900	1500	100-300	362	25-55
9G-1.8	2000	2200	960	1800	100-300	442	55-75
9G-2.1	2300	2500	960	2100	100-300	594	70-100



## 9GY MOWER

Folding wing Slasher has set the standard for flex-wing cutters and now it's available for your compact and utility tractors. It gives you quality and performance, the increased side frame depth increases cut material capacity and earns the distinction of the deepest deck in the industry.



Model	Overall Dimension			Cutting Width	Cutting Height	Weight	Linkage	Matched Power
	width	length	height					
Unit	mm	mm	mm	mm	mm	kg		HP
9GY-4.5	4700	4900	600	4500	100-300	2000	Traction	100-150

## 9GD SERIES MOWER



9GD Series galvanized tractor slasher are suitable for cleaning and slashing in bush and grassland, As well as improving uneven ranch. The machine is scientific in design, durable in service, easy to operate and maintain, adjustable in cutting height and has excellent working performance. They are more ideal agricultural machines for grass slashing and ranch cleaning.

Main features:

3 point linkage ,Cat I & II ; EXTRA HEAVY DUTY STRUCTURE; Completed with Gearbox; PTO Shaft and Clutch (optional); Galvanized deck anti-rust; With rear wheel; Front rear chain protectors

Model	Overall Dimension w*l*h(mm)			Cutting Width(mm)	Cutting Height	Weight(kg)	Matched Power(hp)
9GD-1.5	1550	2300	850	1500	100-300	436	30-70
9GD-1.8	1850	2500	850	1800	100-300	528	70-100

## 9GH MOWER



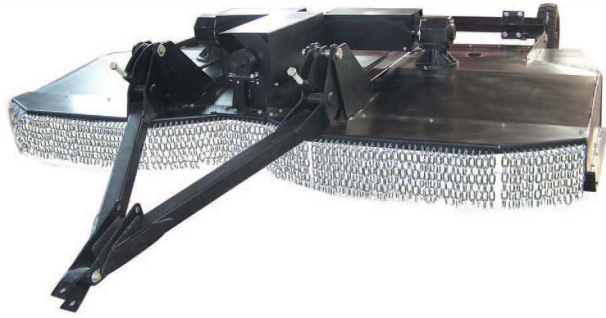
Mainly applicable for grasslands, shrubbery land and pasture. With reasonable structure, adjustable height, good capacity; durable, easy to use and maintain. It is ideal agricultural machinery for mowing and cleaning up the pasture.

Model	Cutting width (mm)	Cutting height(mm)	Number of blades	Blade turn speed(rpm)	Size L*W*H (mm)	Weight (kg)	Matched power
9GH-3.0	3000	40-140	4	810	2850 x3300x1230	880	70hp or above



## 9GM MOWER

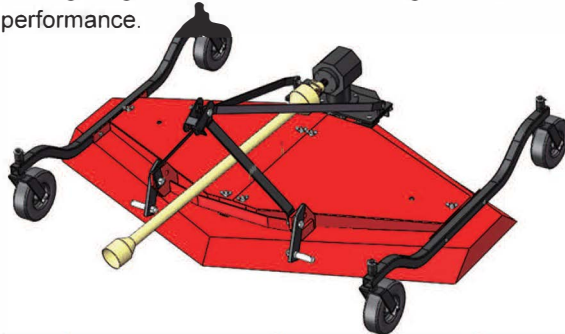
Mainly applicable for grasslands, shrubbery land and pasture. With reasonable structure, adjustable height, good capacity; durable, easy to use and maintain. It is ideal agricultural machinery for mowing and cleaning up the pasture.



Model	Length (mm)	Width (mm)	Height (mm)	Weight (kg)	Cutting width(mm)	Cutting height(mm)	Matched power(HP)
9GM-3.0	4200	3500	800	1340	3000	100~300	80-120

## EM FINISHING MOWER

EM series mower is made with advanced American technologies. Mainly applicable for grazing harvesting, finishing of golf courses and other large lawn, with compact structure and advanced performance.



Item	Unit	EM60	EM70	EM90
Working width	mm	1500	1800	2300
Cutting height	mm	51-254	51-254	51-254
Matched power	hp	25-35	30-50	45-60
Weight	kg	204	260	320
Manner of linkage		Three point mounted		

## TRAILER

Applicable for plains, mountains, wetlands, knap, rural area and highway transportation of bulk cargoes; with solid structure; beautiful, safe, reliable, durable.



Model	Capacity (T)	Box size (mm)	No. of wheels	Tire model	Weight (kg)	Hydraulic	Matched (HP)	
7C-1T	1	2000*1000*350	2	650-16	360	without	18-25	
7C-3T	3	2800*1500*400	2	825-16	610		50-60	
7C-3T	3	3500*1800*400	4	750-16	945		50-60	
7C-4T	4	4000*2000*400	4	825-16	1365		70-80	
7C-5T	5	4000*2000*500	4	825-16	1420		80-100	
7C-7T	7	4500*2100*500	6	825-16	1650		100-120	
7C-8T	8	5000*2100*520	8	825-16	2170		120-140	
7C-10T	10	6000*2100*520	8	825-16	2450		140-160	
7CX-1T	1	2000*1000*350	2	650-16	480		With	18-25
7CX-2T	2	2500*1400*400	2	750-16	610			30-40
7CX-3T	3	2800*1500*400	2	825-16	680	50-60		
7CX-4T	4	4000*2000*400	4	825-16	1470	70-80		
7CX-5T	5	4000*2000*500	4	825-16	1667	80-100		
7CX-6T	6	4200*2000*500	4	825-16	1780	80-100		
7CX-7T	7	4500*2100*500	6	825-16	1900	100-120		
7CX-8T	8	5000*2100*520	8	825-16	2734	120-140		
7CX-10T	10	6000*2100*520	8	825-16	3124	140-160		

## UTILITY TRAILER

This trailer is mainly for transporting mechanical equipment, especially some motor products, carrying 1.5 tons, convenient and fast.



Model	7CT-1.5
Capacity	1.5 Ton
No. of wheels	2 (+1 spare wheel)
Box size(Length X Width X Height) (mm)	2200X 1800X 1700
Tow bar length(mm)	1500
Overall size(Length X Width) (mm)	3700X1800 ( box length+ tow bar )
Tyre	ST225/75D15
Net weight(kg)	530 (include the spare wheel)

## TANK TRAILER

This tanker is connected with the tractor by a pin, which is easy to be removed. It is suitable for agriculture, forestry and animal husbandry. It can be used as a water tank trailer and oil tank trailer. It is convenient for watering the nursery and filling oil to the vehicles in the field.



Model	7CS-2
Capacity(kg)	2000
Overall size(mm)	3400x1800x1900
Tank size(mm)	2200x1500x1800
Tire model	650-16
Tire no.	2
Matched power(hp)	30-50
Net weight (kg)	680

## RAMP UTILITY TRAILER

This trailer is connected with the tractor by a pin, which is easy to be removed. The four wheels of the trailer are connected by steel bars to assist to the turning. This kind of trailer has been applied in many fields for transportation during the warehouse and workshop, which has been defined as cost savings, labor savings and highly secure during use.

Model	7CT-5
Capacity(Ton)	5
No. of wheels(unit)	4
Length(mm)	4600
Width(mm)	2150
Weight(kg)	1200



## MULTI-FUNCTIONAL TANK TRAILER

Multi-functional tank trailers are suitable for agriculture, forestry and animal husbandry. Advantages 1. Large capacity space: The tank has a large space capacity, and the size of the tank can be customized according to customers' needs, and the operation is convenient. Advantage 2: Widely used, it can be used as a water tank trailer and oil tank trailer. It is convenient for watering the nursery and filling oil to the vehicles in the field.



Model	Capacity (kg)	Tank size(mm)	Tire model	Water uptake type	Unload type	Weight (kg)	Matched power(hp)
7CS-5	5000	3000x1450x1450	825-16	Water pump	Manual discharge	1350	80-100
7CS-6	6000	3600x1450x1450	825-16	Water pump		1500	80-120



## SUGARCANE TRAILER

10T Sugarcane trailers are designed for the haulage of whole stick cane only. The trailers are manufactured with a lattice type side; this reduces the weight of the trailer. The up rights (or bolsters), head and tail boards are all collapsible, enabling the trailers to be delivered in a semi knock down form – reducing exportation transport costs. Once the tail board, spillar bar and chain rails are unbolted, the trailer is then able to transport timber.



Model	Rated load weight(T)	Carriage length(mm)	Lifting height(mm)	Carriage capacity(m <sup>3</sup> )	Tire type	Rated weight of traction hook (kg)
7CG-10	10	4250	4700	22.3	600/50-22.5	200

## GRAIN CART

It is used for rice transportation and automatic unloading. It uses a spiral conveyor instead of a self-dump or manual unloading. It is characterized by high operating efficiency and reasonable power utilization and can directly put rice into the warehouse. Mainly suitable for short-distance transportation in agriculture. The overall structure is reasonable, the appearance is beautiful, and it has the characteristics of convenient drag, saving time and labor and durable. It has large carrying capacity, safety and reliability, strong adaptability, convenient installation and maintenance, and long service life.

Model	Capacity (T)	Weight (kg)	Working size (mm)	Tyre	Matched power (Hp)	Unload rate of auger (mins)
GC-8	8	2400	4800*3500*4500	23.1-26	60-80	25
GC-23	23	7000	6300*5500*5750	26.5-25	90-120	25



## GC-650-4 GRAIN CART



Item	Capacity ( bushels)	No of wheel	Height of the load(mm)	Discharge capacity of the grains (lt./min)	Tire size	Weight (kg)	Matched power (hp)
GC-650-4	650	4	4000	3500	17.5-25	5656	80-120



## 2CM POTATO PLANTER

The machine is mainly composed of ground wheel, frame, opener, seed meter, seed box, fertilizer box and other components. The machine is attached to the tractor suspension. During the operation, the tractor pulls the machine forward, and the ground wheel on the machine completes the seeding by shifting. At the same time, the fertilizer discharging device also discharges a proper amount of fertilizer in the ditch, and the soil is covered by the earth shovel to complete the whole set of operation procedures.



Model	Weight (kg)	Row spacing (mm)	Planting distance (mm)	Working efficiency	Seed tank capacity (L)	Manure tank capacity (L)	Matched power (hp)
2CM-2	240	500-1000	180-350	0.4-0.6 hm <sup>2</sup> /h	0.24*2	0.08*2	30-50-70
2CM-4	450	500-1000	180-350	0.8-1.0 hm <sup>2</sup> /h	0.24*4	0.08*4	80-120

## 4U POTATO HARVESTER

The product has good performance and high efficiency. It is mainly used to harvest underground rootstock crops such as potatoes, garlic, sweet potatoes and peanuts. It has the characteristics of high harvesting efficiency, low damage rate, light operation, no vibration, no grass blocking, fast soil leakage, simple structure and long service life.

Item	Weight (kg)	Matched power (hp)	Spacing (mm)	Rows	Working width (mm)	Productivity	Working depth (mm)	Ming potato rate (%)
4U-60	180	30	600	1	550	3-5	300	≥96
4U-90	260	30	800-900	1	900	4-8	300	≥96
4U-130	420	55-80	550-800	2	1300	6-9	300	≥96
4U-160	480	80-120	550-800	2	1600	8-12	300	≥96



## 2BYF CORN FERTILIZER SEEDER

2BYF series planter is suitable for agricultural machinery for sowing and fertilizing operations such as corn, soybean and peanut. There are three rows, four rows or five rows and six rows of rowing operations, equipped with seed boxes and fertilizer boxes, which are matched with four-wheel tractors, with strong seeding ability, fast working speed and convenient use. It has the characteristics of saving time and effort and high quality of work.



Model	Variety crop	Rows	Drilling width (mm)	Spacing (mm)	Capacity		Weight (kg)	Matched power (hp)
					Seeding case (L)	Fertilizer case (L)		
2BYF-3	maize beans peanut	3	1500	Rows :	24	75	200	25-45
2BYF-4		4	2100	500-670	32	100	260	50-70
2BYF-5		5	2800	Plant:	40	125	320	60-80
2BYF-6		6	3500	80-300	48	150	380	80-120
2BYF-7		7	4200	adjustable	56	175	480	100-120



## WKT POST HOLE DIGGER (DRILL)



Model	Hole diameter(mm)	Hole depth(mm)	No. of blade	linkage	Weight (kg)	Tractor (hp)	Working efficiency
WKT-300/500	300/500	900	2	Three point linkage	320	50-70	1.5min/hole

## AGRICULTURAL LOADER

It can carry goods' weight less than 800kg for farmer ,it makes work easier and fast.

Model	Max height(mm)	Load capacity(kg)	Net weight (kg)
QZ-800	2300	800	70



## AGRICULTURAL LOADER

It can carry goods' weight less than 1200kg or 2500kg for farmer ,it makes work easier and fast.



Model	Max height(mm)	Load capacity(kg)	Net weight (kg)
QZ-1200	5300	1200	460
QZ-2500	5300	2500	610

## 5TY-30 CORN THRESHER



Item	Matched power (kw)	Spindle speed ( r/min)	Winnower power( r/min)	Dia of roller(mm)	Weight ( kg )	Broken ratio
5TY-30	5.5	1000	2450	200	120	≤3.0%

## OX DRAWN PLOUGH



Ox plough is single furrow high performance ploughs that combine lightness in weight with sturdy construction for maximum strength.

Model	Working width(mm)	Working depth(mm)	productivity(ha/h)	weight(kg)
1L-120A	220	250	0.1-0.15	35
1L-120B	220	250	0.1-0.15	38

## OX DITCHER

Animal drawn ditcher is suitable for cultivating the small farm field. It can be pulled by animal. It with simple structure, easy to operate and with strong crashing-earth function.



Model	Working width (mm)	Working depth (mm)	Weight (kg)	Trailed power	Dimension (L×W×H)(mm)
1KX-1	400	200-300	45	Animal driven	1500×800×890



## MULTI-FUNCTION-OX CULTIVATOR

It is suitable for cultivating the small farm field, with the use of best and optimum components we give you a top notch variety for these agricultural equipments.



Model	Teeth	Working depth (mm)	Productivity (ha/h)	weight(kg)
XCA-5	5	50-100	0.5-0.7	76



## OX SEEDER

This kind of planter combines lightness in weight with sturdy construction for reliable, trouble-free planting, and performs exceptionally well under all soil conditions.



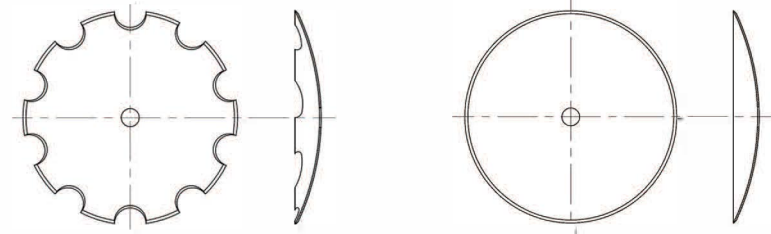
Model	Working depth(mm)	Weight (kg)	Applicable variety	Dimension (mm) (L×W×H)
2BX-1	150	42	soya corn peanut grain	1500×570×1000

## MULTI-FUNCTION-OX CULTIVATOR

It is suitable for cultivating the small farm field, with the use of best and optimum components we give you a top notch variety for these agricultural equipments.

Model	Working width (mm)	Working depth (mm)	Weight (kg)	Trailed power
XCB-5	800	50-100	75	Animal driven

# DISC BLADE



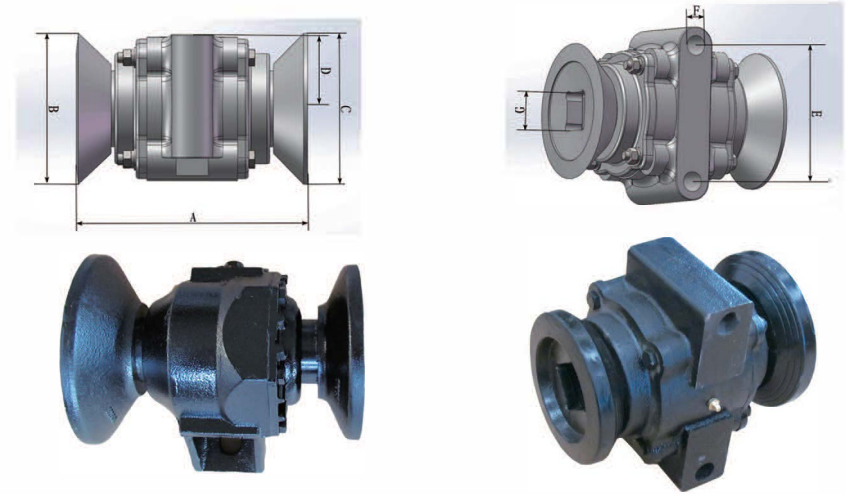
		THICKNESS		WEIGHT PLAIN		WEIGHT NOTCHED	
MM	INCH	MM	INCH	KG	LBS	KG	LBS
300	12"	3	1/8"	1.6	3.5	1.1	2.4
330	13"	3	1/8"	1.8	4	1.2	2.6
360	14"	3	1/8"	2.3	4.9	1.9	4.1
410	16"	3	1/8"	3.2	7	2.7	5.9
460	18"	3	1/8"	4.3	9.5	3.8	8.4
460	18"	3.5	1/7"	4.6	10.2	4.1	9
510	20"	3.5	1/7"	5.8	12.7	5.6	11.5
510	20"	4	2/13"	6.5	14.4	5.8	12.7
560	22"	4	2/13"	8.1	18	7.5	16.5
560	22"	4.5	2/11"	9	20	8.5	18.7
560	22"	5	1/5"	9.5	21.6	9	19.8
560	22"	6	15/64"	12	26.5	11	24.2
610	24"	5	1/5"	11.3	25	10.5	23.1
610	24"	6	15/64"	14.2	31.5	13	28.6
660	26"	5	1/5"	14.1	31	13	28.6
660	26"	6	15/64"	17	37.5	15.8	34.8
660	26"	7	9/32"	20	43.5	18.5	40.7
660	26"	8	5/16"	23	51	21	46
710	28"	6	15/64"	20	44	18.5	40.7
710	28"	7	9/32"	23	50.6	21.5	46
710	28"	8	5/16"	26	57.2	24	52.1
760	30"	8	5/16"	29	64	28	61.5
760	30"	10	3/8"	35	77	33.5	73.7
810	32"	8	5/16"	35	77	33	75
810	32"	10	3/8"	43	95	40	88
910	36"	12	1/2"	68	150	60	132
960	38"	12	1/2"	77	170	70	154
1016	40"	12	1/2"	82	180	77	169.4
1116	44"	12	1/2"	89	196	84	184.8



## DISC BLADE



## BEARING ASSEMBLY



	A(mm)	B(mm)	C(mm)	D(mm)	E(mm)				
YT-100	235	158	139	76.5	162	φ20	□42.5	Φ40-55	Grease
YT-115	235	158	139	75	162	φ20	□42.5	Φ40-55	Grease
YT-120	230	135	135	84.5	163	φ25.5	□44	Φ40-60	Grease
YT-140	230	143	140	86	154	φ22	□44	Φ40-60	Grease
YT-155	232	178	158	84	155	φ22	□42.5	Φ40-55	Grease
YT-160	234	158	138	73	153	φ22	□42	Φ40-55	Grease
YT-165	234	158	138	72.5	150	φ22	□41	Φ40-55	Grease
ZH-170	230	158	138	76	170	φ22	□41	Φ40-55	Grease
ZH-QB-165	165	110	110	57	125	Φ19	□28		Grease
ZH-QB-175	175	110	110	57	125	Φ19	□28		Grease
ZH-QB-195	195	110	110	57	125	Φ19	□28		Grease
ZH-225	225	162	140	68	155	Φ26	□32	Φ30-45	Grease
ZH-230	230	180	160	89.5	156	Φ24*30		Φ30-45	oil bath
ZH-182	182	140	130	80.6	112	Φ19*25		Φ30-45	oil bath
ZH-225A	225	140	130	80.6	112	Φ19*25		Φ30-45	oil bath
ZH-225	225	180	160	93.6	148	Φ24*30		Φ40-50	oil bath
ZH-262	262	180	160	93.6	148	Φ24*30		Φ40-50	oil bath
ZH-364	364	200	180	108	230	Φ26*35		Φ50-65	oil bath

## SPACER



Length (mm)	Sq. (mm)	Round(mm)	Material
165	□28	/	Nodular cast iron
175	□28	/	Nodular cast iron
195	□28	/	Nodular cast iron
225	□32-40	Φ30-40	Nodular cast iron
237	□32-40	Φ30-40	Nodular cast iron
250	□32-40	Φ30-40	Nodular cast iron
270	□32-40	Φ30-40	Nodular cast iron
340	□32-45	Φ40-60	Nodular cast iron
364	□32-45	Φ40-60	Nodular cast iron

## HARROW TINE



Model	A(mm)	B(mm)	C(mm)	D(mm)	E(mm)	F(mm)	G(mm)
SDYT-16	As need	8	As need	As need	M16	As need	□16
SDYT-19	As need	8	As need	As need	M19	As need	□19
SDYT-22	As need	8	As need	As need	M20	As need	□22
SDYT-25	As need	8	As need	As need	M24	As need	□25
SDYT-32	As need	8	As need	As need	M27	As need	□32
SDYT-40	As need	8	As need	As need	M30	As need	□40

## SQUARE/ ROUND AXLE



Length Xφ25 mm	Length Xφ28 mm	Length Xφ32 mm	Length Xφ38 mm	Length Xφ40 mm	Length Xφ60 mm	Length X□60 mm
Length X□22mm	Length X□25 mm	Length X□28 mm	Length X□32 mm	Length X□38 mm	Length X□40 mm	Length X□42 mm

## INNER/OUTER WASHER



Sq. (mm)	□28	□32	□38	□40	□42
Round(mm)	Φ30	Φ40	Φ45	Φ60	

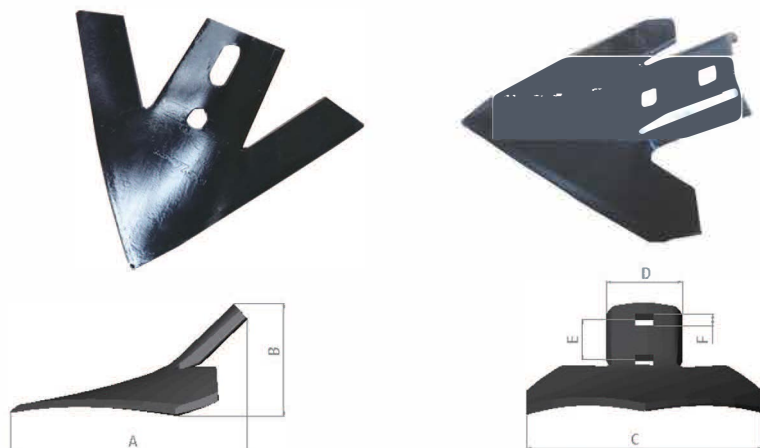
## PLOUGH TINE



Items	Length(mm)	Width(mm)	Thickness(mm)	Material	Weight(kg)
460*50*16	460	50	16	60Si2Mn	3.4
400*60*16	400	60	16	60Si2Mn	3.4
300*60*12	300	60	12	60Si2Mn	1.8
200*40*6	200	40	6	60Si2Mn	0.45

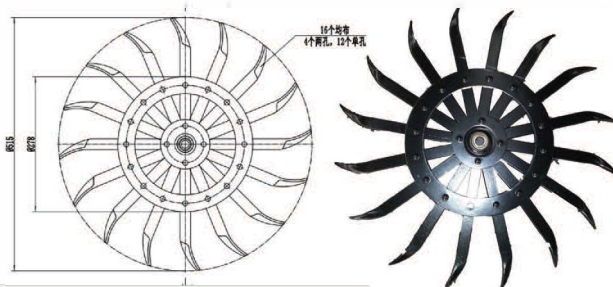


## BREAK SHOVEL



Model	A(mm)	B(mm)	C(mm)	D(mm)	E(mm)	F(mm)
SDYT-C01	145	70	157	42	/	□11
SDYT-C02	148	112	280	73	50	□13
SDYT-C03	152	94	165	52	45	□13
SDYT-C04	185	85	183	63	45	□13
SDYT-C05	205	90	225	50	36	□13
SDYT-C06	240	105	270	68	45	□13

## ROTARY WHEEL



Items	Diameter (mm)
Wheel-1	500
Wheel-2	515
Wheel-3	540

## MOWER BLADE



Model	Length (mm)	Width (mm)	Thickness (mm)
419.4-20	788	76	12
430.4-02	700	76	12
410.10-03	720	76	12
409.0-02	470	76	12
9G1.0	300	60	10
9G1.5	500	60	10
9G1.8	600	60	12
9G1.0	300	60	10
260*90*4	260	90	4
260*90*5	260	90	5
260*90*6	260	90	6

## SUGARCANE BLADE



Items	Length(mm)	Width(mm)	Thickness(mm)
305x63.5x25	305	63.5	25
337x57x25	337	57	25
311x50x25	311	50	25