



**MODDERN
PROSPECTS**
PRIVATE LIMITED

**MODDERN PROSPECTS
PRIVATE LIMITED**

MANUFACTURER OF FIRE DOORS

CLEANROOM PANELS & DOORS



modernprospectsprivltd@gmail.com



INDIA



8355882768



A 103, Dhara Complex, Sector 8, Plot 21, Kamothe, Mansarovar, Navi Mumbai – 410209





**MODERN
PROSPECTS**
PRIVATE LIMITED

FIRE DOORS & CLEANROOM DOORS

Buildings need to be designed to offer an acceptable level of safety and minimize the risk and damage.

These doors can be used in high-rise building, pharmaceutical industry, laboratories, hotels, shopping malls, restaurants, auditoriums & commercial areas.

These doors and frames are designed to perform in the most demanding environment.



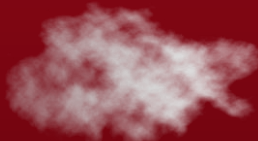
Fire doors remain one of the most passive fire protection component of your building. They serve three main purposes.



Suppress the speed of fire



Serve as regular doors



Reduce smoke hazard



WE ALSO MANUFACTURE....



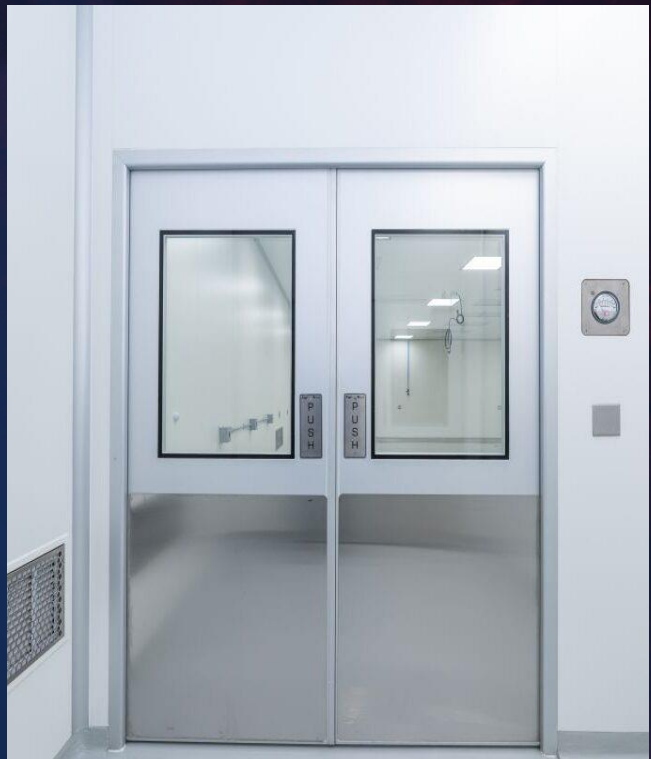
Glazed Door



Automatic Sliding Door



Lead Door



Double Door (Both side Swing)

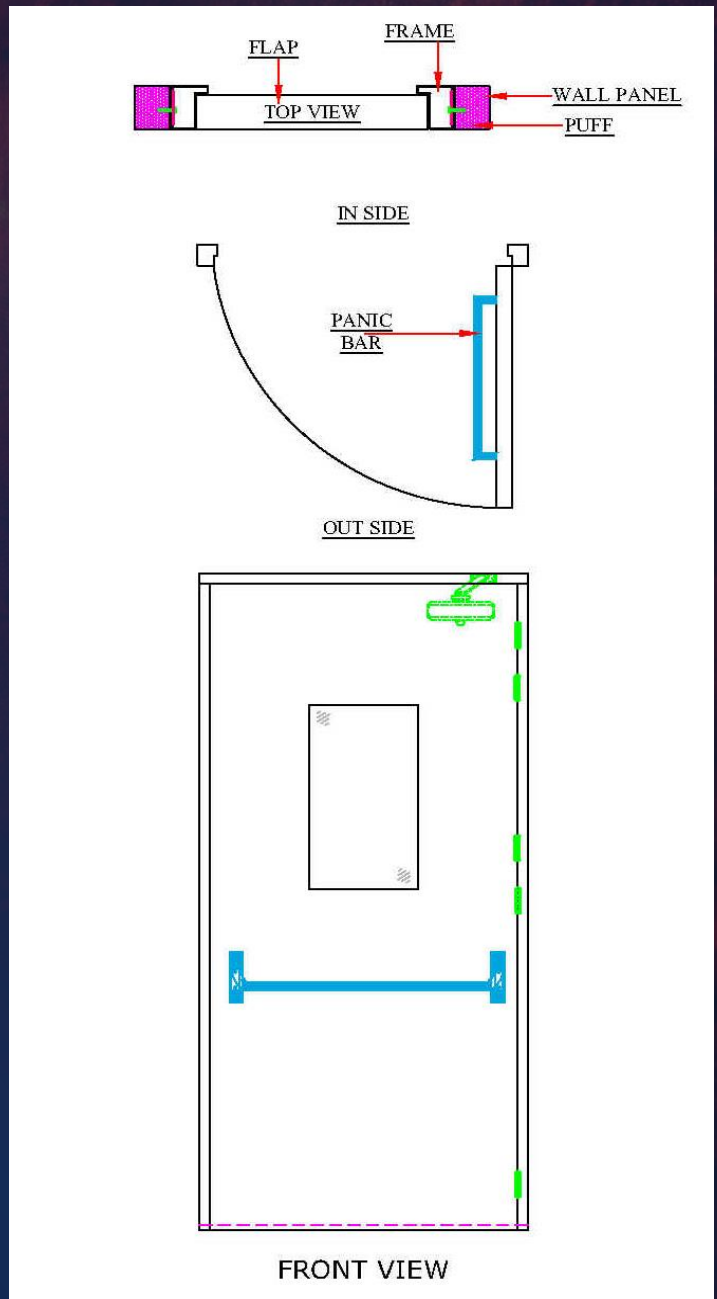
FEATURES OF OUR DOORS

KEY HIGHLIGHTS:

- Available in galvanized or stainless steel
- Honeycomb / PUFF / Rockwool in-fill.
- Pre-coated and Powder coated in desired RAL shade color.
- MATT / Glossy finish as desired in S.S.
- Thickness of 42-46 mm.
- Frame thickness 1.6 mm - 1.2 mm.
- No welding joints and sharp edges.
- High aesthetics and robust structure.
- Fully flush constructions.
- Easy to install on a flush wall opening and cleanroom wall panel partitions.
- Can be supplied in a wide range of colors.

KEY HIGHLIGHTS OF FIRE DOOR:

- Fire rating of 120 minutes.
- BFRC, Mysore Certified



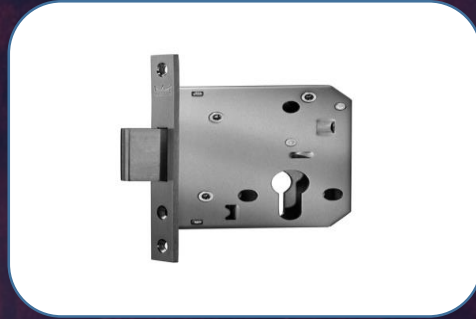
TECHNICAL SPECIFICATIONS

ITEM	TYPE OF DOORS	
	Fire Rated Doors (2 Hours)	Clean Room Doors
Door Leaf	Constructed from 1.2mm or 0.8mm thick skin G.I. / S.S. sheet	Constructed from 1 mm or 0.8mm thick skin G.I. / S.S. sheet
Door Thickness	45 ± 1 mm	44 ± 2 mm
In-Fill	Rockwool / Honeycomb	PUFF / Honeycomb
Door Frames	1.6 / 1.2 mm - G.I. / S.S.	1.6 / 1.2 mm - G.I. / S.S.
Powder Coating Material	Polyester	Polyester
Powder Coating Thickness	60-80 micron	60-80 micron
Vision Glass		
Material	Fire rated 120 min / wired glass 30 min	Clear / Frosted / Toughened glass
Standard Dimension	200 mm x 300 mm 300 mm x 300 mm	400 mm x 600 mm 400 mm x 700 mm
Accessories		
Hinges	Fire rated ball bearing S.S. butt hinges	Ball bearing S.S. butt hinges
Lock	Mortise sash lock with lever handles Mortise dead lock	Mortise sash lock with lever handles, Mortise dead lock
Handles	D-handle, Push plate	D-handle, Push plate, H-handle
Door Closers	Standard arm, Hold open arm, Concealed arm	Standard arm, Hold open arm, Concealed arm
Panic Devices	Panic bar + Trim	Kick plate
Leakage Prevention	Drop seal / Smoke seal / Intumescent strips	Drop seal

ACCESSORIES FOR YOUR DOORS



Door Closer



Mortise Lock



D-Handle



Hinges



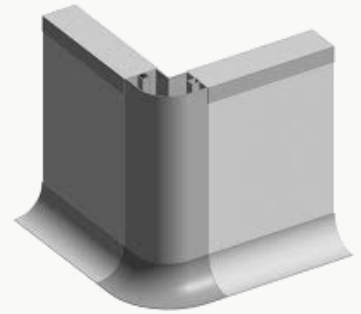
Panic Bar



Drop Seal



CLEANROOM PANELS



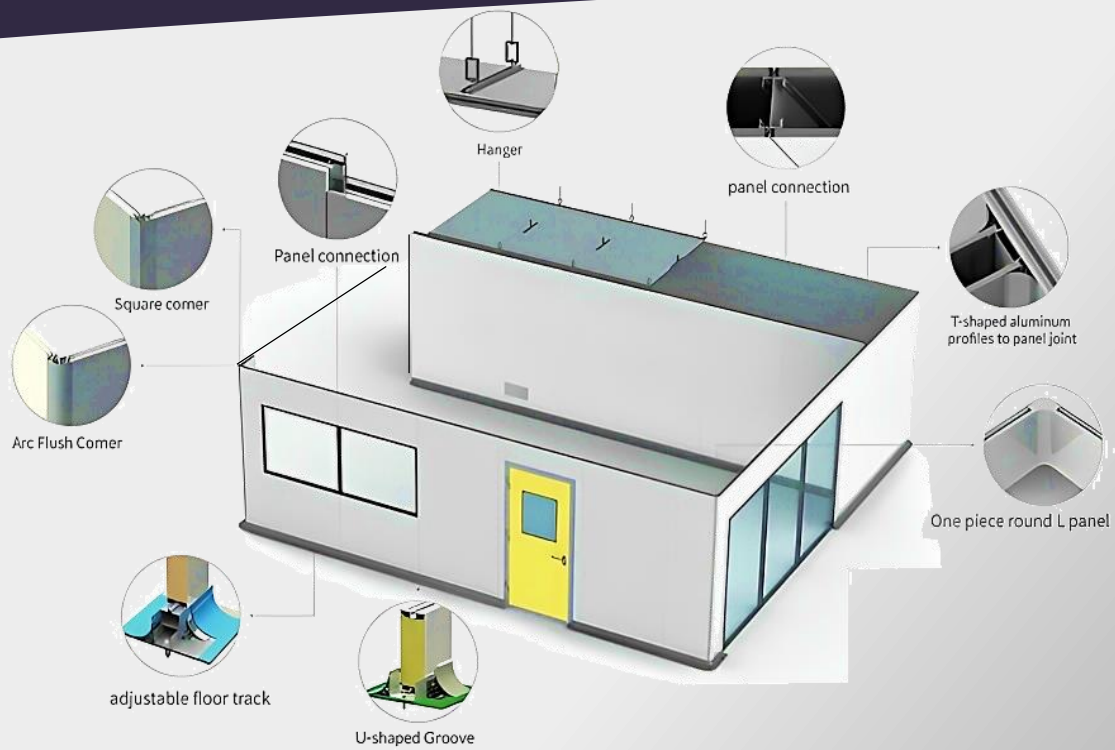
Every cleanroom creates an environment with a direct impact on manufacturing processes and the consistent production of quality products. Without a suitable cleanroom to drive your system, production will be disrupted. If you desire maximum reliability, boost your cleanroom enclosure system with a cleanroom panel whose standards comply with every health and safety requirement.



ADVANTAGES OF MODULAR PLANTS:

- Fast building & cost efficient technology.
- Movable asset and weather independent.
- Future site modification is possible.
- Flexibility while designing of floor layout and maintenance work.

CLEANROOM PANELS



CLEANROOM PANEL

ITEM

SPECIFICATION OF SANDWICH WALL / CEILING PANELS

MOC	G.I. / S.S
Coating	Pre-coated, Powder-Coated, Pre-Painted
Infill	Polyurethane Foam, Rockwool
Thickness	35 MM - 150 MM
GI Sheet Thickness	20 / 22 / 24 Gauge
STD Dimension	1200 (W) x 2400 (H)
Bottom Joint	Using Aluminium section for Interlocking & Levelling
Top Joint	Fixed hanger support from RCC slab / MS structural grid
Cleanliness	Available from class 100 to class 100000