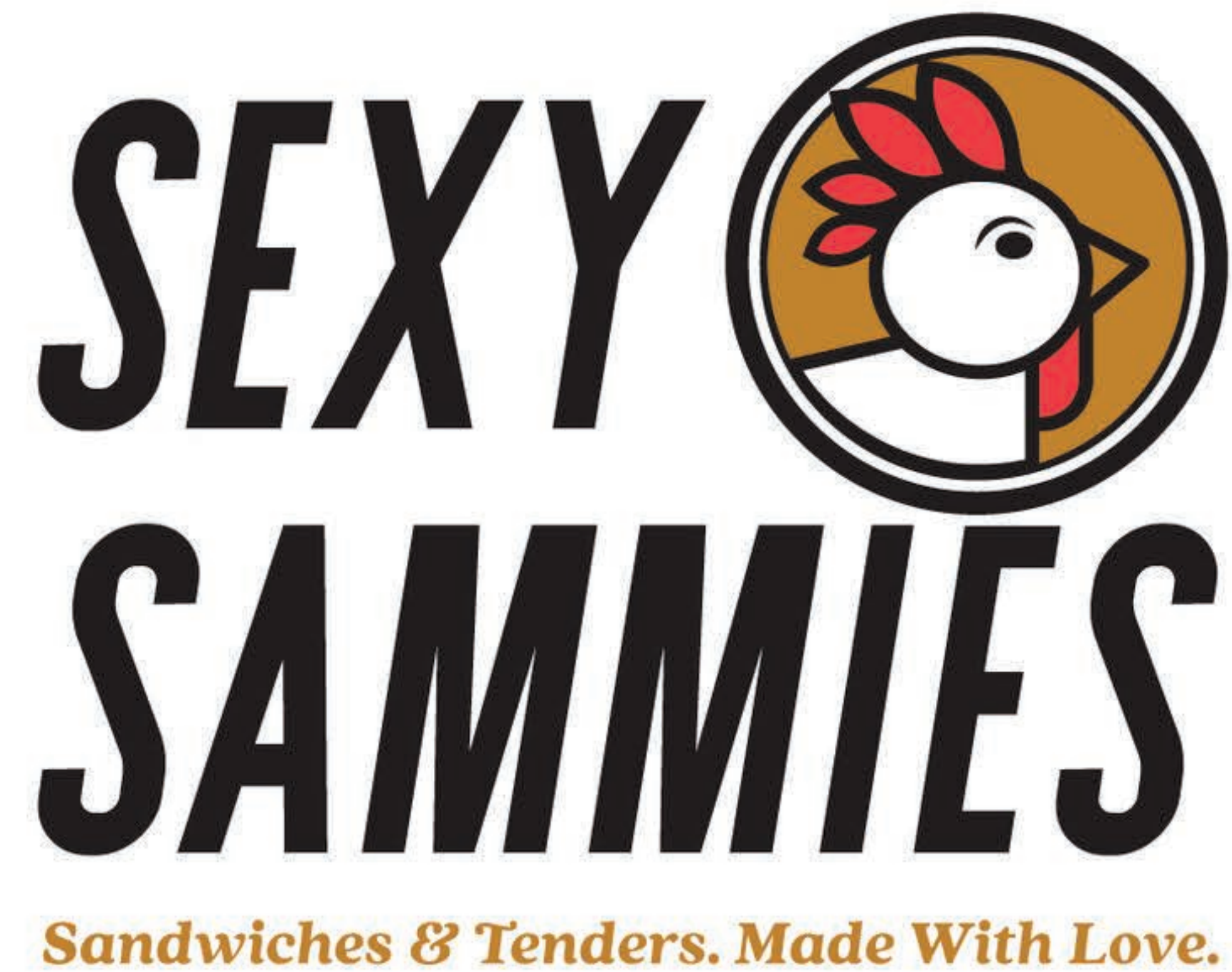


REVISED
10/6/2022

- PAGE 6
- PAGE 8
- PAGE 10
- PAGE 18



PAGE 1B- MATERIALS LIST

PAGE 2- GROUND PLAN

PAGE 3- NORTH WALL BUILDING ELEVATIONS

PAGE 4- SERVER & PARTITION WALL ELEVATIONS

PAGE 5- EAST WALL ELEVATIONS

PAGE 6- SOUTH BUILDING WALL ELEVATIONS

PAGE 7- WEST WALL ELEVATIONS

PAGE 8- NORTH WALL BUILD ELEVATIONS

PAGE 9- PARTITION BUILD ELEVATIONS

PAGE 10- SOUTH WALL BUILD ELEVATIONS

PAGE 11- WEST WALL & SERVER WALL BUILD ELEVATIONS

PAGE 12- TRASH & DRINK STATION ELEVATIONS

PAGE 13- MAIN COUNTER ELEVATIONS

PAGE 14- SOUTH WALL BOOTH ELEVATIONS

PAGE 15- PARTITION WALL BOOTH ELEVATIONS

PAGE 16- PASS - THROUGH CUBBIE ELEVATIONS

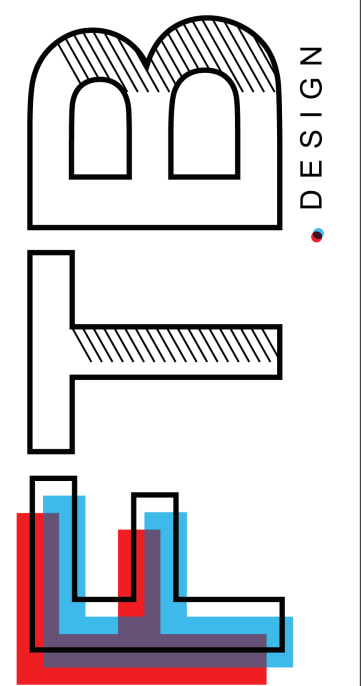
PAGE 17- REFLECTED CEILING PLAN

PAGE 18- FLOORING MATERIALS PLAN



LOCATION:
COLORADO

JEFFREY TORAICHIEYSER | PRODUCTION DESIGNER
(323) 741-0016 . jeff@ftb.design



CONTENTS

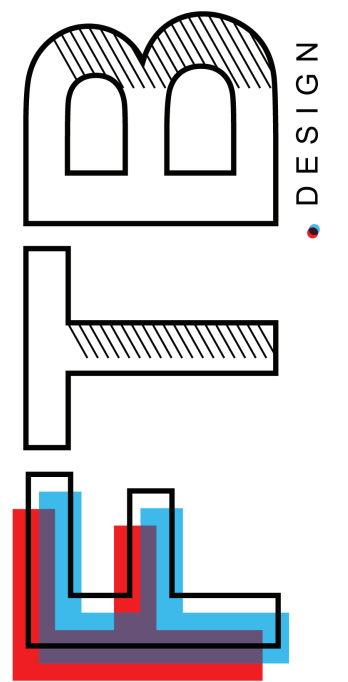
REVISED: 9/30/22
SCALE 1/4" = 1' 0"

1A

LOCATION:
COLORADO

JEFFREY TORAICHI EYSER | PRODUCTION DESIGNER

(323) 741-0016 - jeff@ftb.design



MATERIALS

REVISED : 9/30/22
SCALE 1/4" = 1' 0"

1_B



1. **Wall Tile** - Restore 3" x 6" Ceramic Bevel Bright White Subway Tile - Home Depot

2. **Tabletops** - Formica Solid Surface 410 Argento Terazzo Matrix

3. **Light Green Flooring** - Armstrong Flooring - Imperial Texture Commercial Vinyl Tile - Little Green Apple - Home Depot

4. **Middle Green Flooring** - Armstrong Flooring - Imperial Texture Commercial Vinyl Tile - Sea Green - Home Depot

5. **Dark Green Flooring** - Tarkett - Composition Tile - Color Essence 150 Forever Green

6. **Light Blue Flooring** - Tarkett - Composition Tile - Color Essence 117 Just Offshore

7. **White Flooring** - Nora Systems - Norament Satura 5105

8. **Black Flooring** - Nora Systems - Norament Satura 5116

14

9. **Wood Flooring** - Eleganza - Emotion Wood Miele Porcelain Tile - Matte

10. **Light Green Wall Color** - Benjamin Moore - 431 - Central Park

11. **Middle Green Wall Color** - Benjamin Moore - 622 - Alpine Trail

12. **Dark Green Wall Color** - Benjamin Moore - 623 - Deep Seal

13. **Light Blue Wall Color** - Benjamin Moore - 1633 - Brittany Blue

14. **Pendant Lights** - Fusion Ion 10" Wide Matte Black - LED Mini Pendant - Lamps Plus

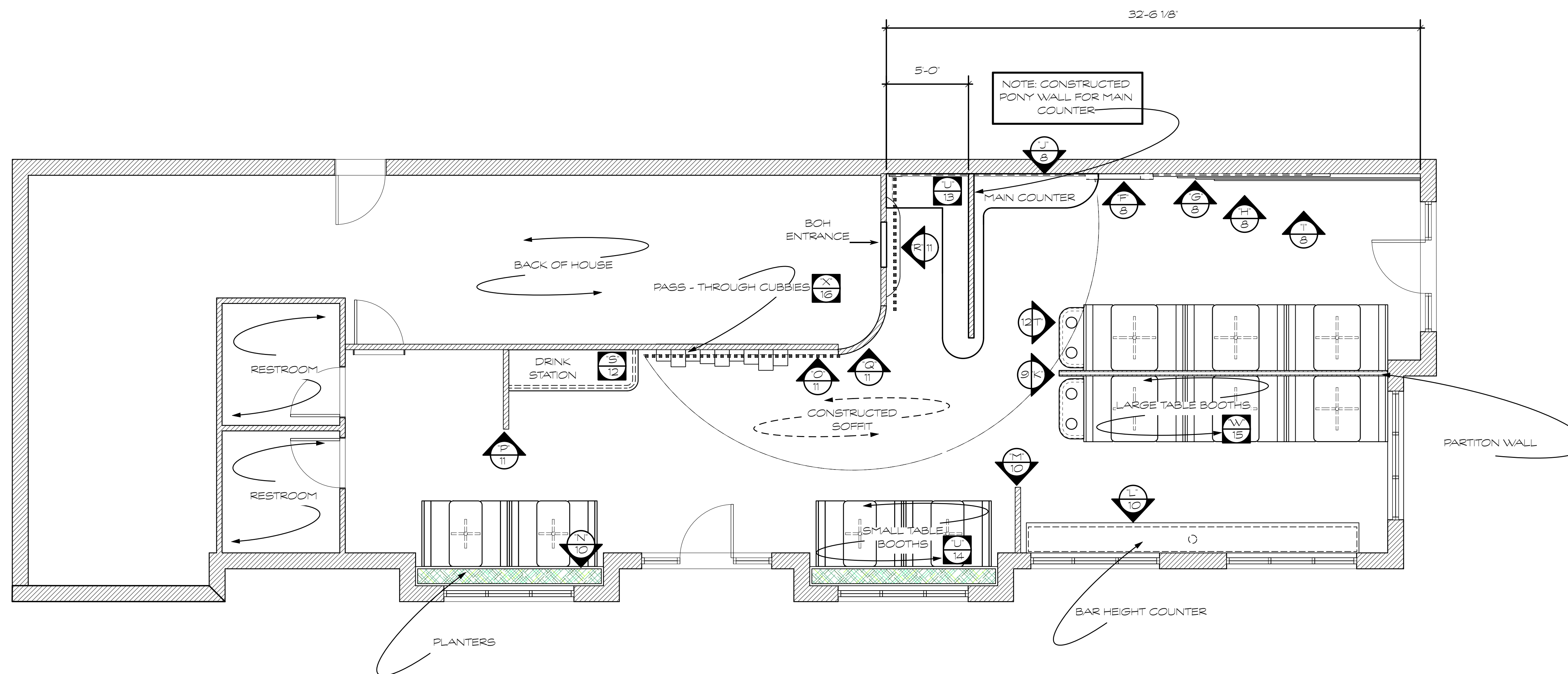
15. **Booth Fabric** - Persuasion - Citronella TPE-011

16. **Booth Sides** - 8240 Liquid Glass Formica Laminate

SEXY SAMMIES - GROUND PLAN ELEVATION

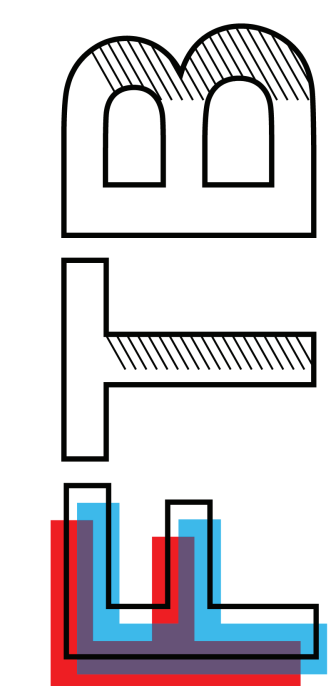


LOCATION:
COLORADO



JEFFREY TORAICHI EYSER | PRODUCTION DESIGNER

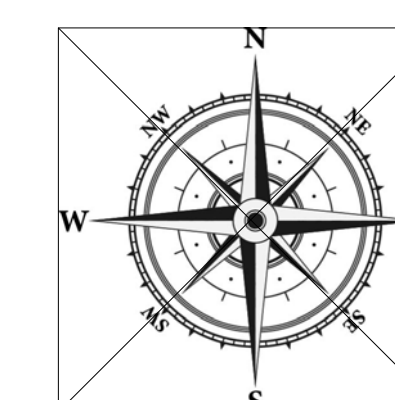
(323) 741-0016 . jeff@ftb.design



GROUND PLAN

REVISED : 9/30/2022
SCALE 1/4" = 1' 0"

SCALE KEY



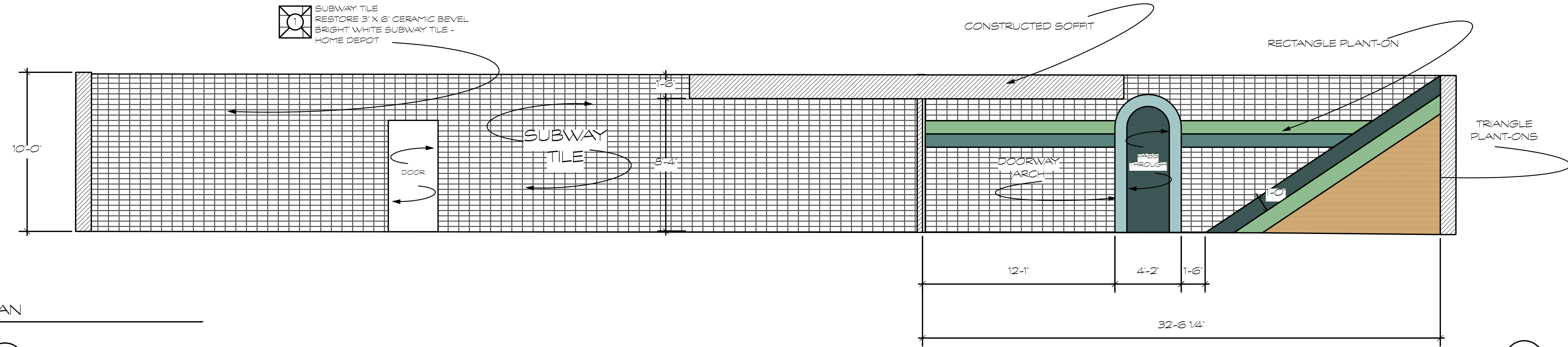
2

SEXY SAMMIES - NORTH BUILDING WALL ELEVATION

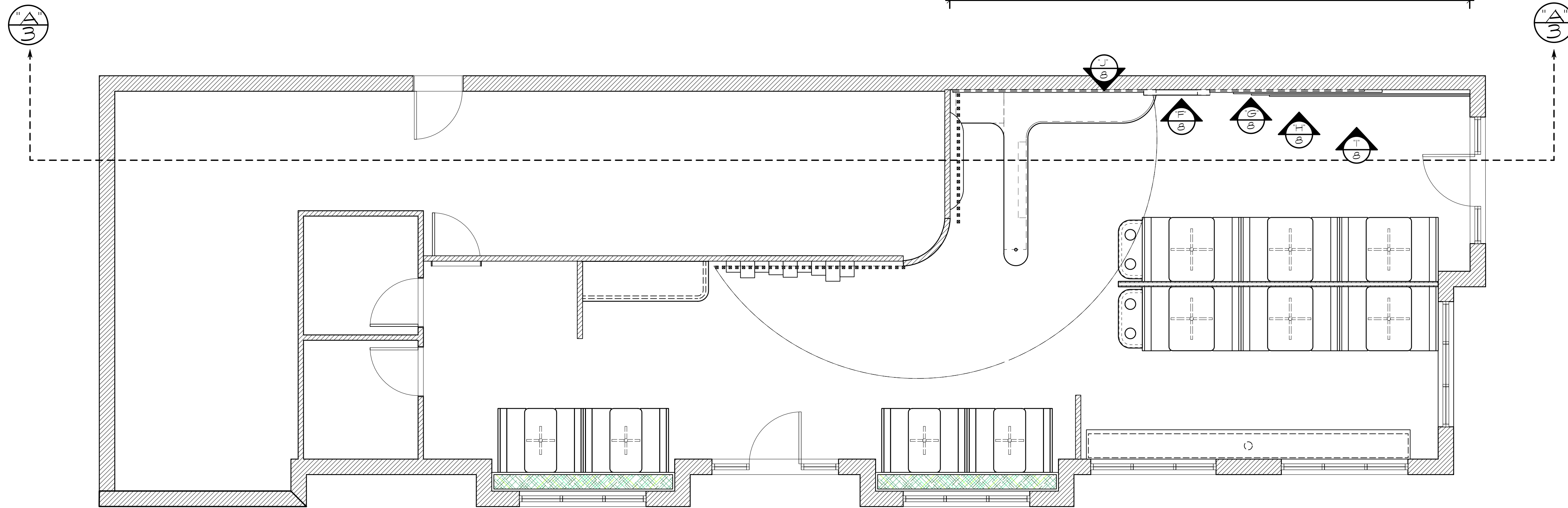


LOCATION:
COLORADO

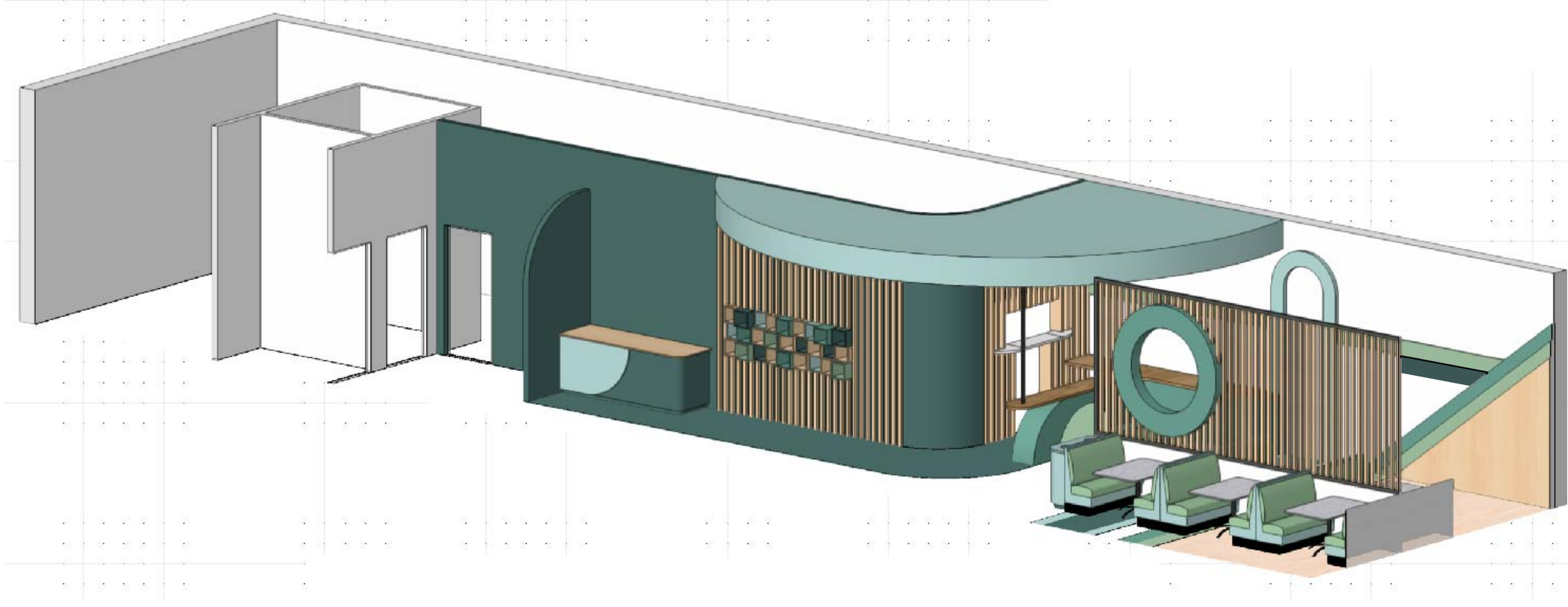
"A"
3 NORTH WALL ELEVATION



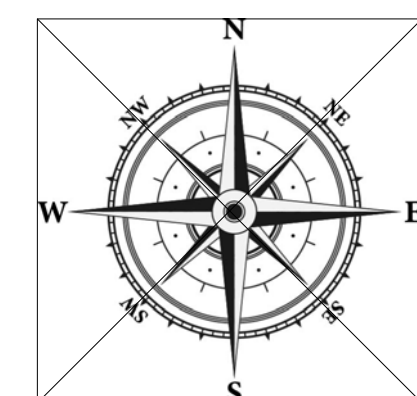
SEXY SAMMIES GROUNDPLAN



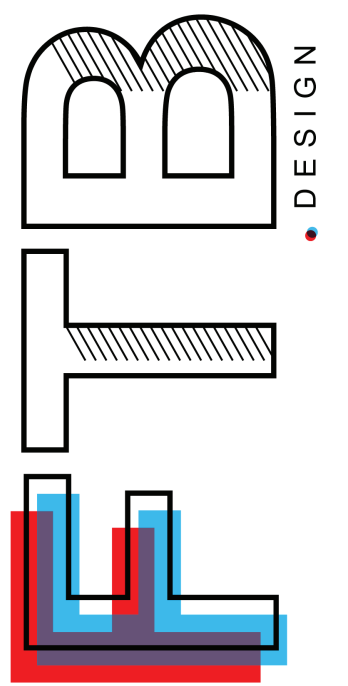
3D MODEL



SCALE KEY



JEFFREY TORAICHI EYSER | PRODUCTION DESIGNER
(323) 741-0016 - jeff@ftb.design



NORTH BUILDING ELEV.

REVISED : 9/30/2022
SCALE 1/4" = 1' 0"

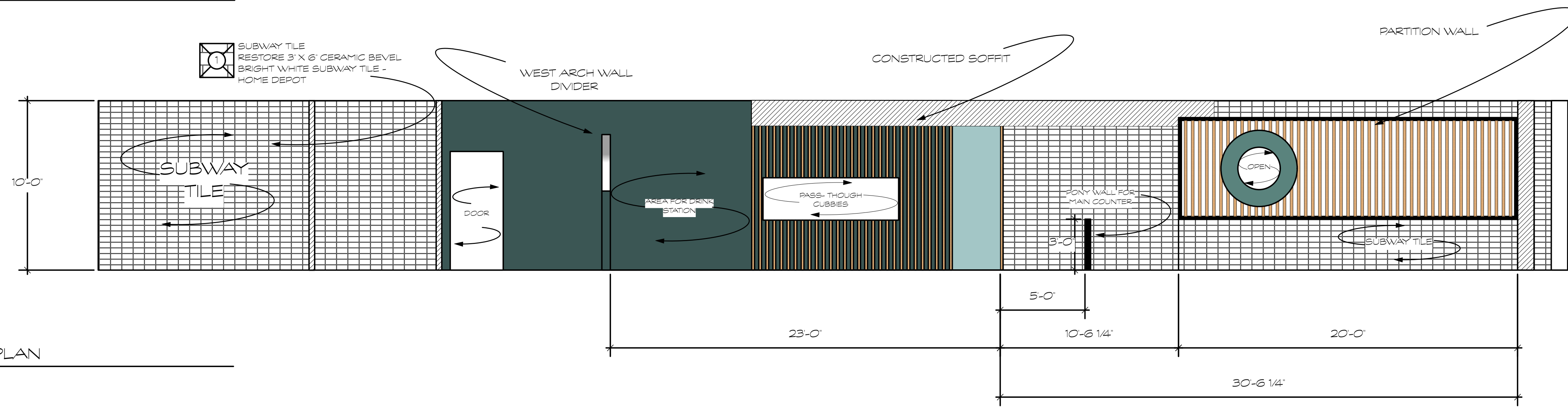
3

SEXY SAMMIES - SERVER & PARTITION WALL ELEVATION

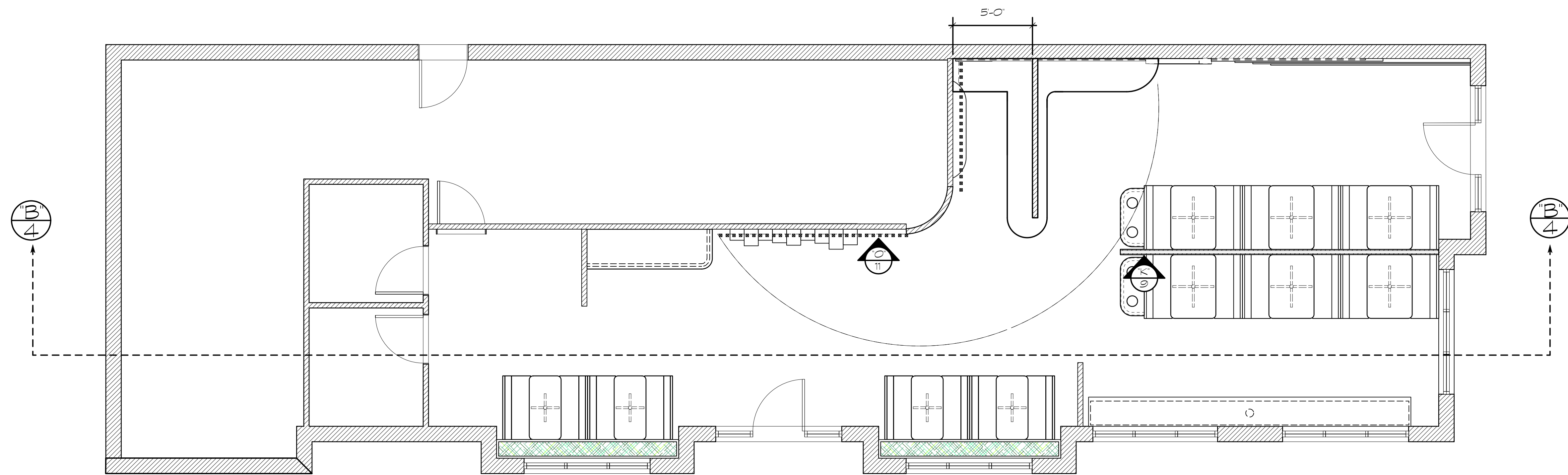


LOCATION:
COLORADO

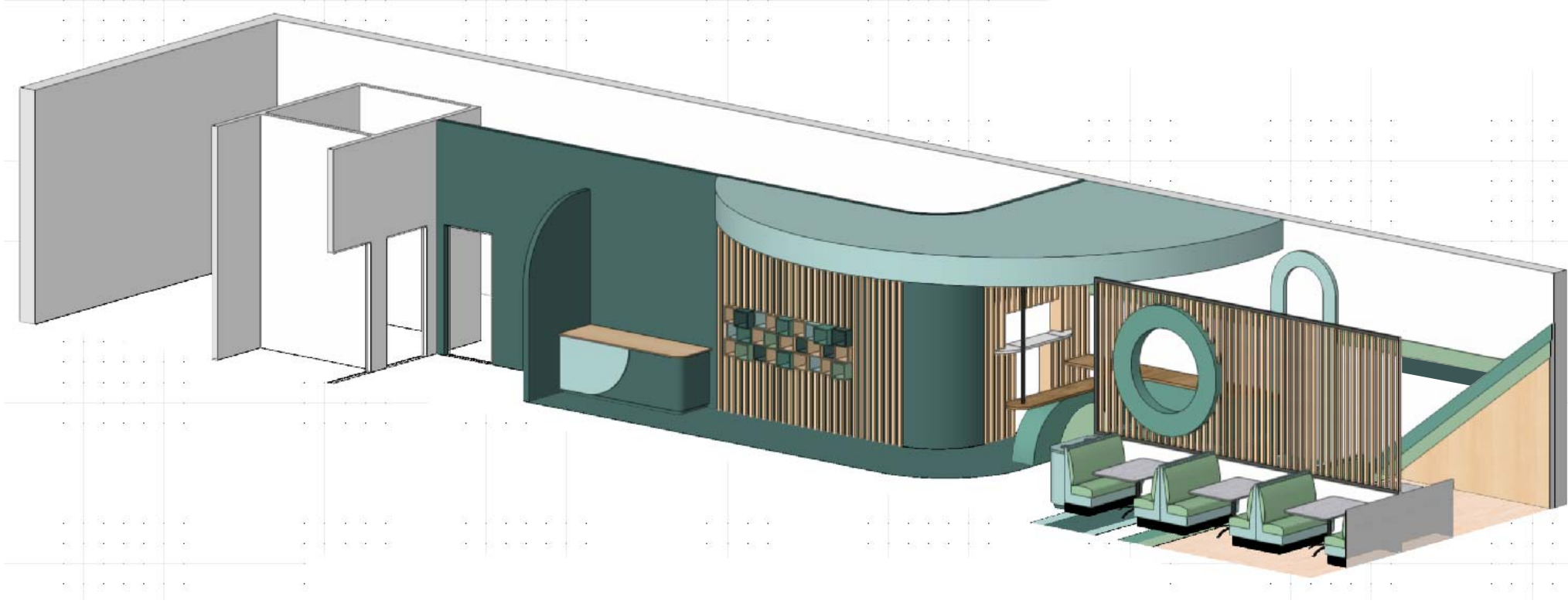
"B"
4
SERVER & PARTITION WALL ELEVATION



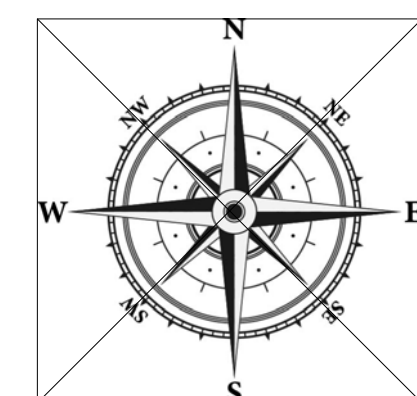
SEXY SAMMIES GROUNDPLAN



3D MODEL

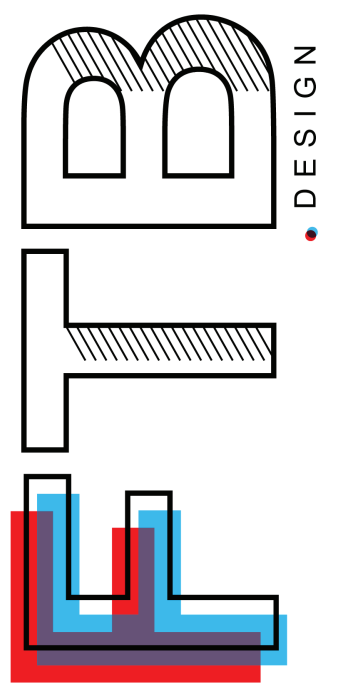


SCALE KEY



JEFFREY TORAICHI EYSER | PRODUCTION DESIGNER

(323) 741-0016 - jeff@ftb.design



PARTITION WALL ELEV.

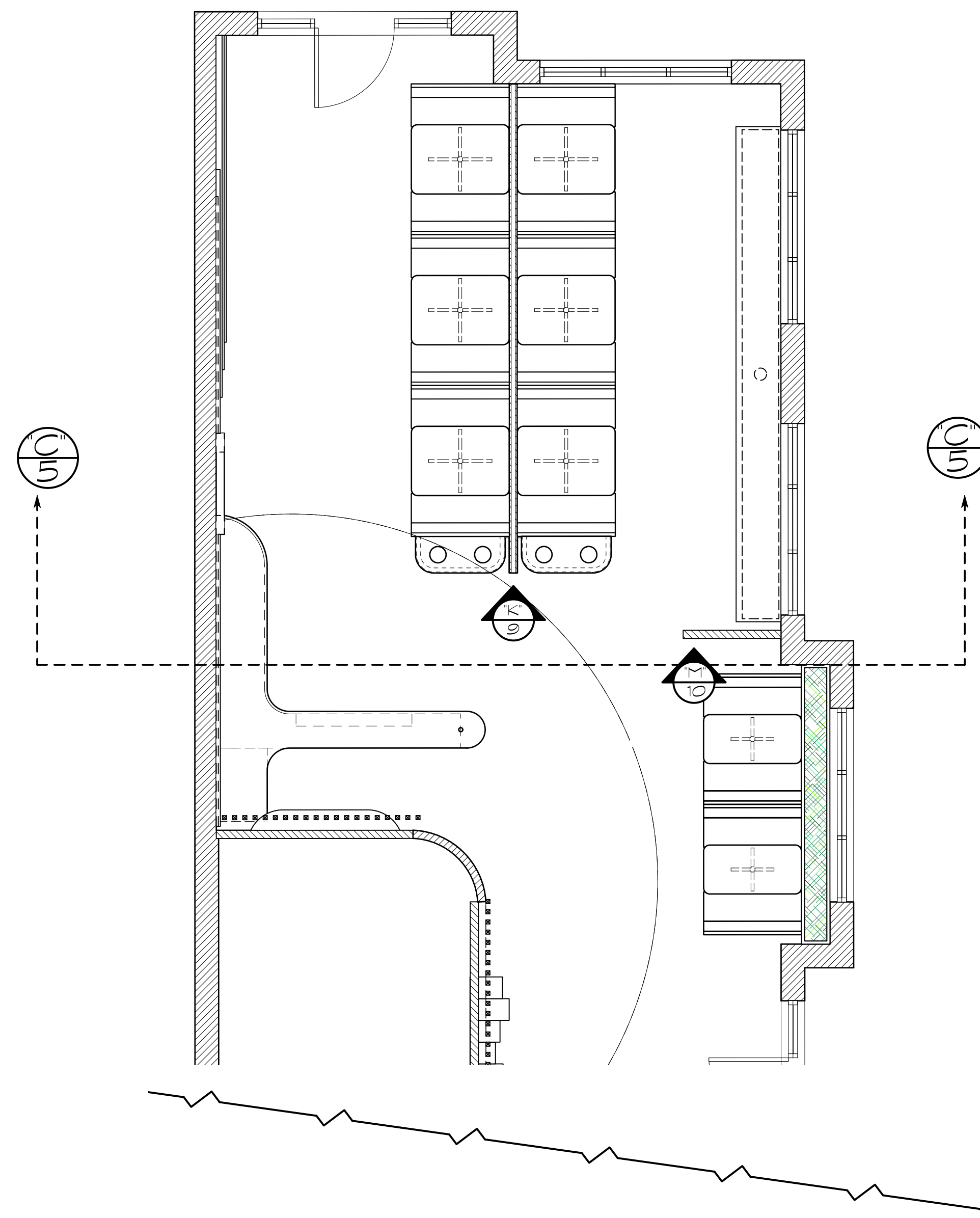
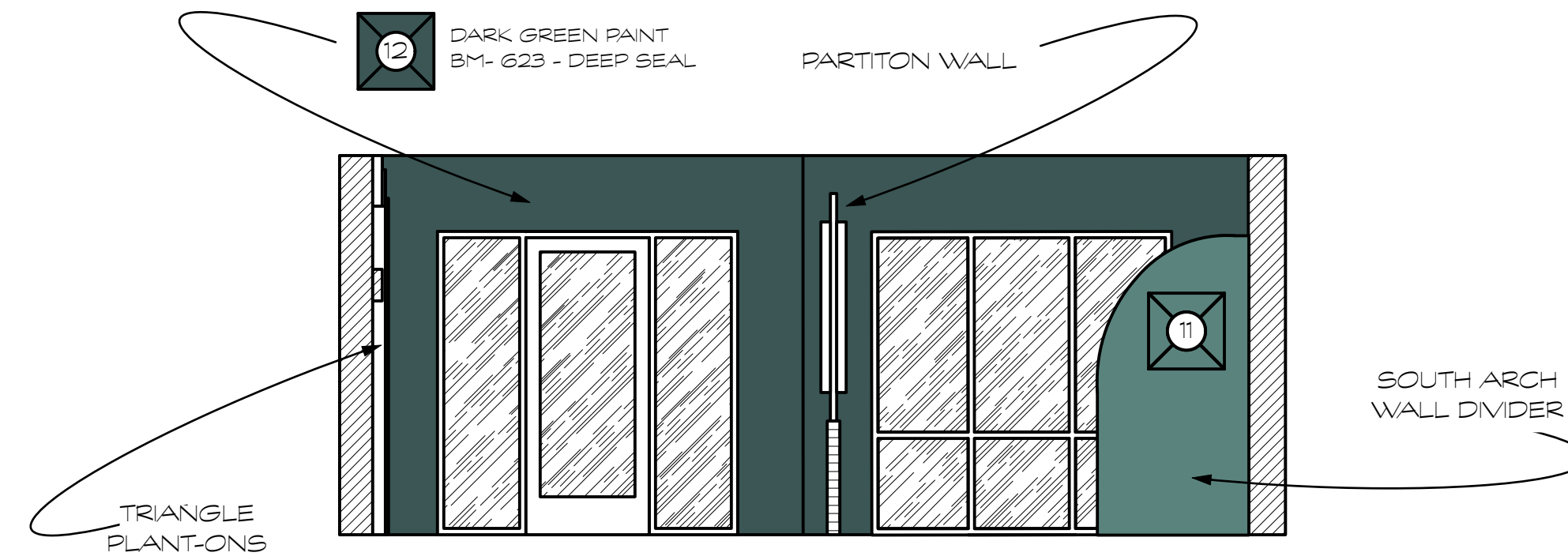
REVISED : 9/30/2022
SCALE 1/4" = 1' 0"

4

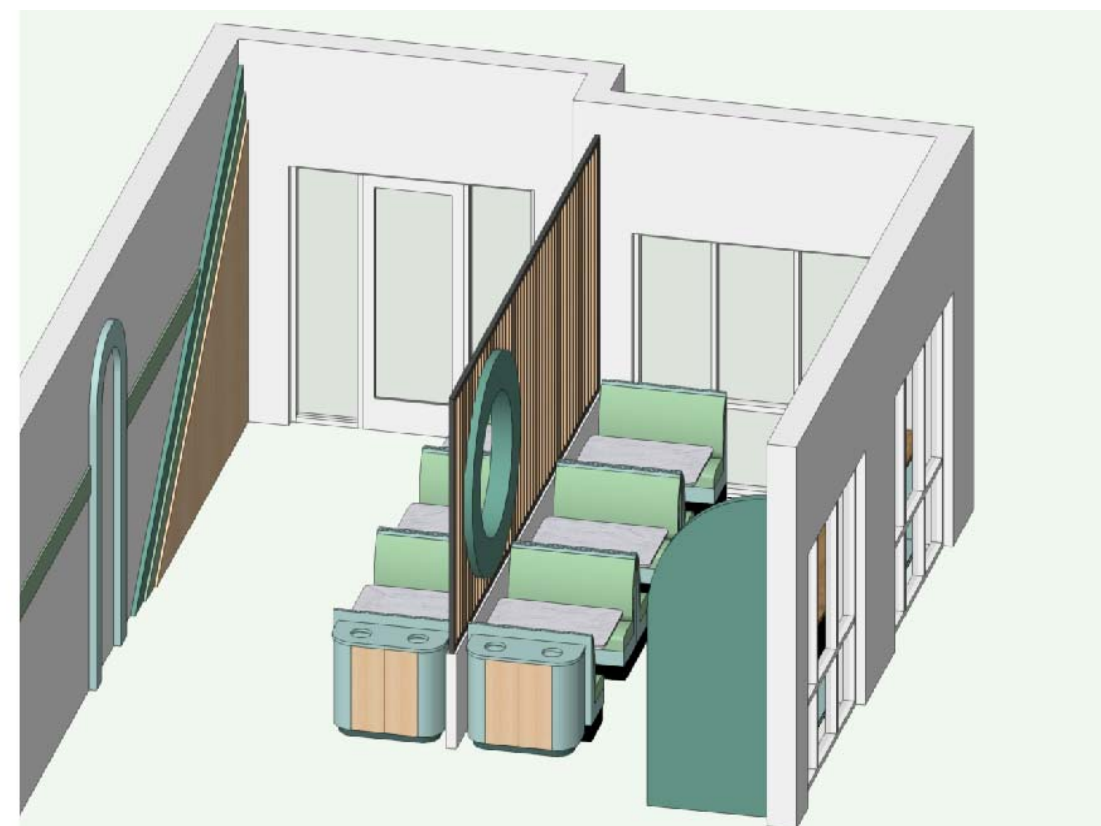
SEXY SAMMIES - EAST WALL ELEVATION

LOCATION:
COLORADO

"C"
5 EAST WALL ELEVATION

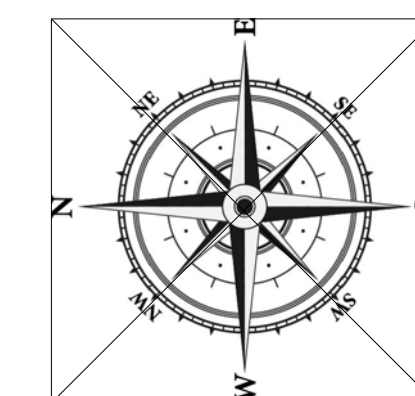


3D MODEL



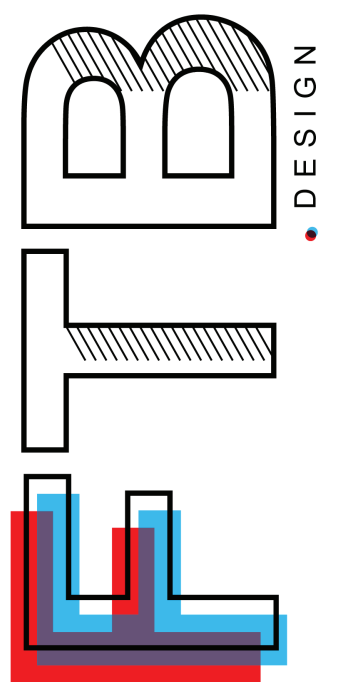
MATERIALS KEY		
SUBWAY TILE RESTORE 3' X 6' CERAMIC BEVEL BRIGHT WHITE SUBWAY TILE - HOME DEPOT	SHAW CONTRACT SURFACE OS15V - PITCH - 15500	LIGHT BLUE PAINT BM-1633-BRITANNY BLUE
FORMICA SOLID SURFACE 410 ARGENTO TERRAZZO MATRIX	SHAW CONTRACT SURFACE OS15V - QUARTZ - 15515	FUSION ON 10' WIDE MATTE BLACK LED MINI PENDENT - LAMPS PLUS
MOHAWK GROUP LVT LIVING LOCAL - CHROMASCOPE CO159 - 760 GRASS GREEN	ELEGANZA EMOTION WOOD MIELE PORCELAIN TILE - MATTE	PERSUASION CITRONELLA TPE - 011 VINYL FABRIC
MANNINGTON LVT ANTIQO SIGNATURE - ABSTRACT ENCAUSTIC TOURMALINE AROAEN89	LIGHT GREEN PAINT BM - 431-CENTRAL PARK	8240 LIQUID GLASS FORMICA LAMINATE
MANNINGTON LVT ANTIQO SIGNATURE - ABSTRACT ENCAUSTIC TOURMALINE AROAEN89	MID GREEN PAINT BM-622-ALPINE TRAIL	
MOHAWK GROUP LVT LIVING LOCAL - TERRAZZO CO180 - 736 STRABE	DARK GREEN PAINT BM- 623 - DEEP SEAL	

SCALE KEY



JEFFREY TORAICHI EYSER | PRODUCTION DESIGNER

(323) 741-0016 - jeff@ftb.design



EAST WALL ELEV.

REVISED : 9/30/2022
SCALE 1/4" = 1' 0"

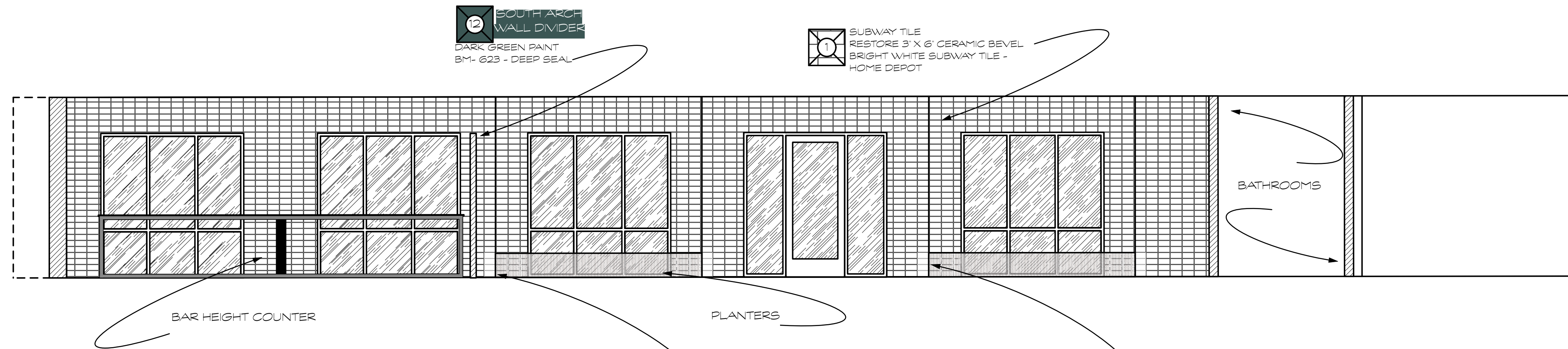
5

SEXY SAMMIES - SOUTH BUILDING WALL ELEVATION

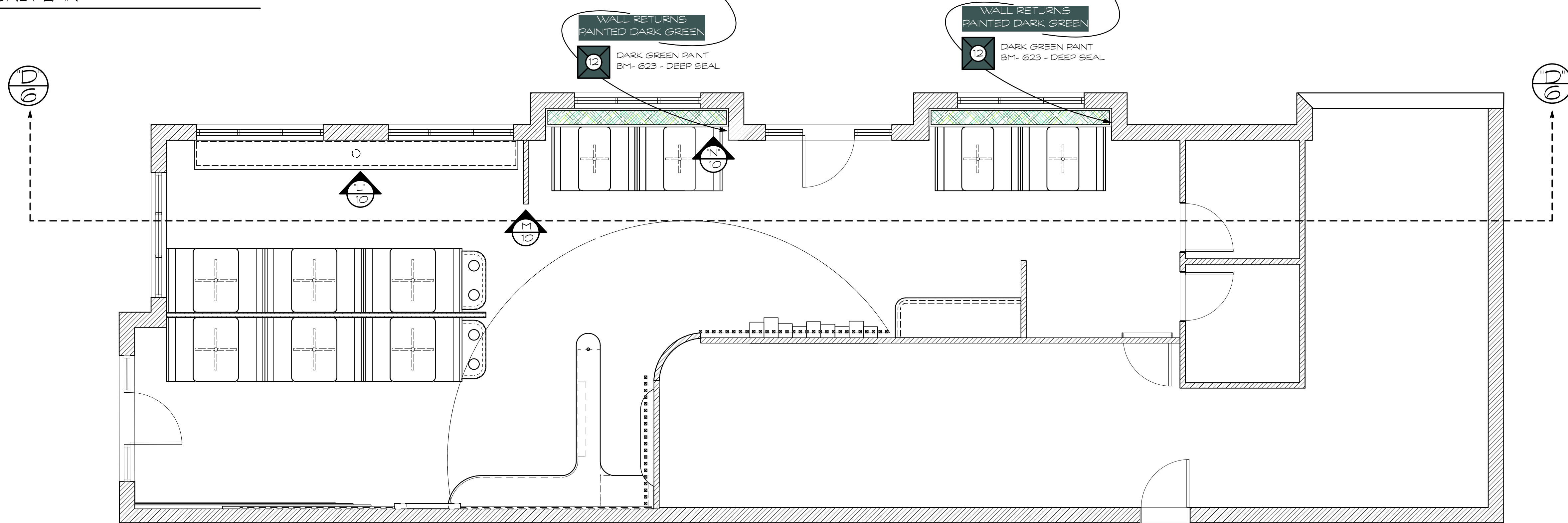


LOCATION:
COLORADO

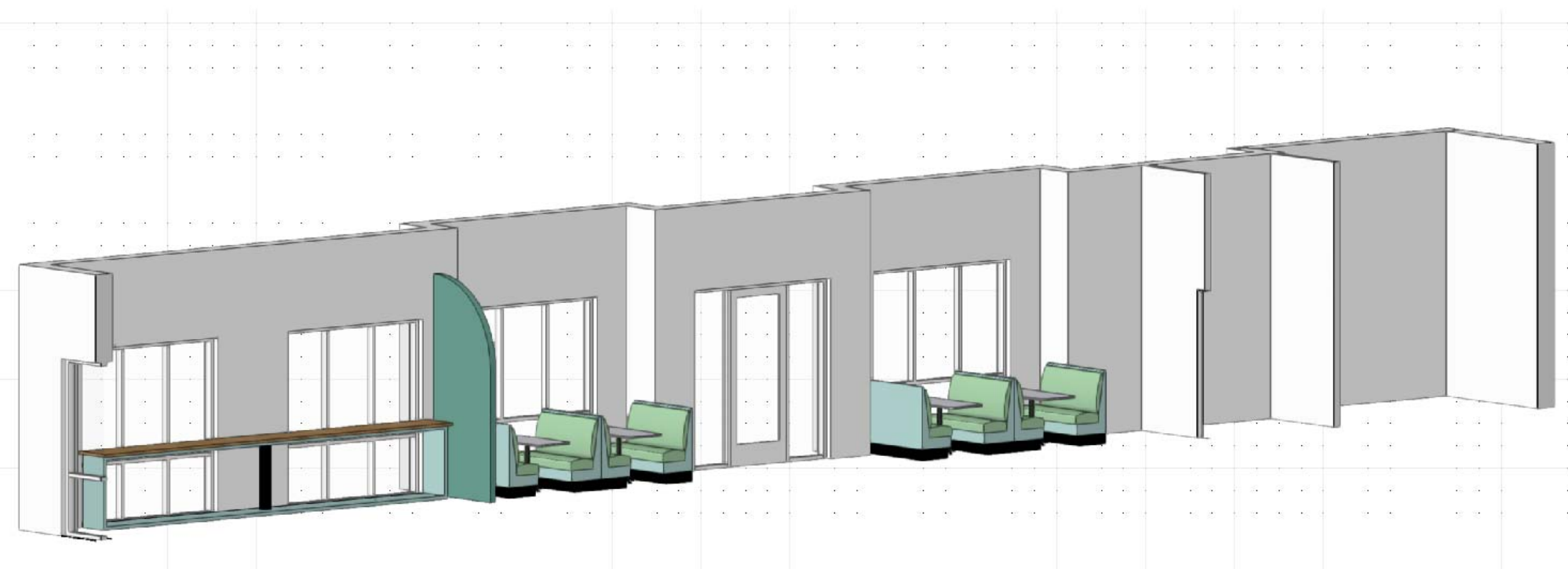
"D"
6 SOUTH WINDOW WALL ELEVATION



SEXY SAMMIES GROUNDPLAN

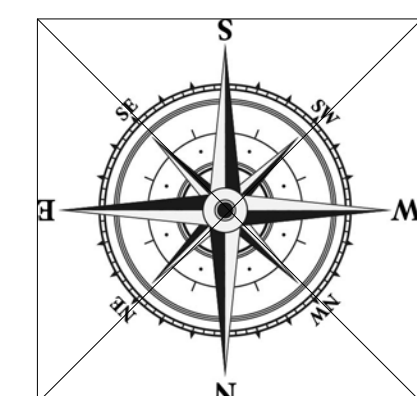


3D MODEL

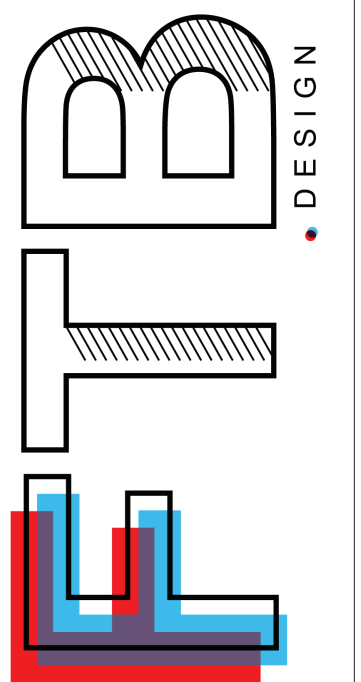


**REVISED
10/6/2022**

SCALE KEY



JEFFREY TORAICHI EYSER | PRODUCTION DESIGNER
(323) 741-0016 - jeff@ftb.design



SOUTH WALL ELEV.

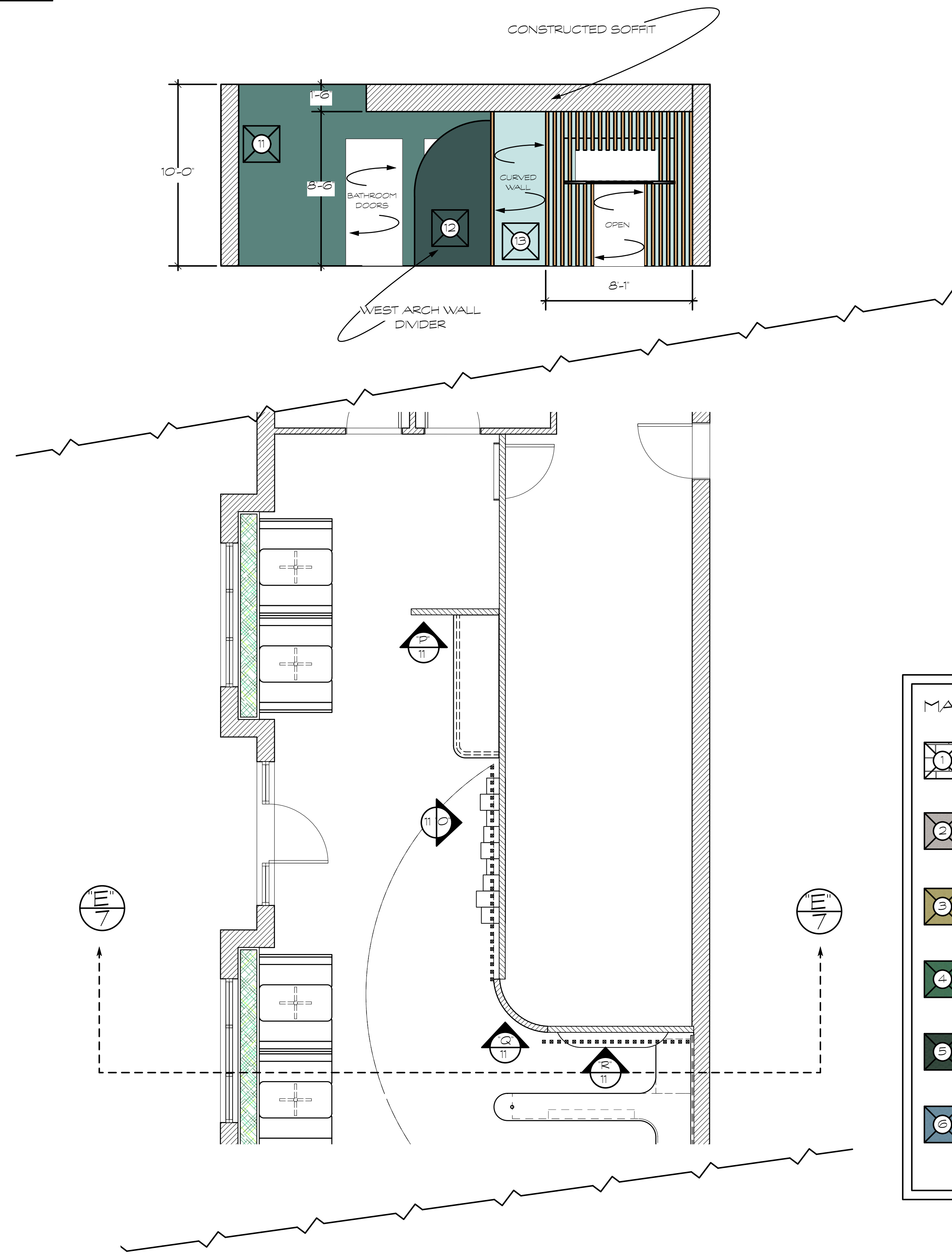
REVISED : 10/6/2022
SCALE 1/4" = 1' 0"

6

SEXY SAMMIES - WEST WALL ELEVATION

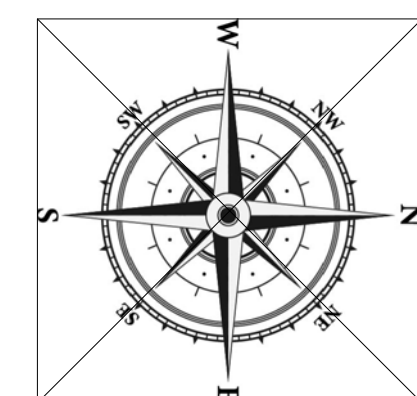
LOCATION:
COLORADO

"E"
7
WEST WALL ELEVATION



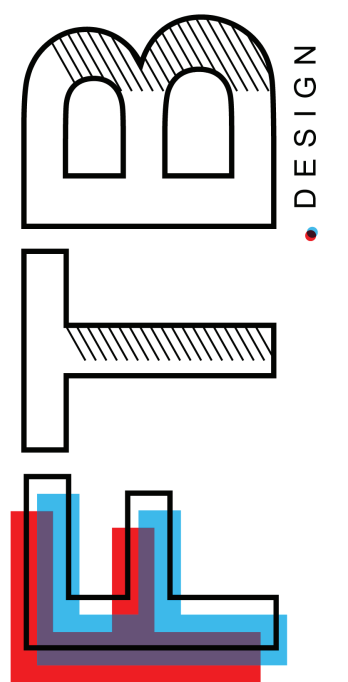
MATERIALS KEY		
1 SUBWAY TILE RESTORE 3' X 6' CERAMIC BEVEL BRIGHT WHITE SUBWAY TILE - HOME DEPOT	7 SHAW CONTRACT SURFACE OS15V - PITCH - 15500	3 LIGHT BLUE PAINT BM-1633-BRITTANY BLUE
2 FORMICA SOLID SURFACE 410 ARGENTO TERRAZZO MATRIX	8 SHAW CONTRACT SURFACE OS15V - QUARTZ - 15515	14 FUSION 10' 10" WIDE MATTE BLACK LED MINI PENDENT -LAMPS PLUS
3 MOHAWK GROUP LVT LIVING LOCAL - CHROMASCOPE CO159 - 760 GRASS GREEN	9 ELEGANZA EMOTION WOOD MIELE PORCELAIN TILE - MATTE	15 PERSUASION CONTRONELLA TPE - 011 VINYL FABRIC
4 MANNINGTON LVT ANTICO SIGNATURE - ABSTRACT ENCAUSTIC TOURMALINE AROAE89	10 LIGHT GREEN PAINT BM - 431-CENTRAL PARK	6 8240 LIQUID GLASS FORMICA LAMINATE
5 MANNINGTON LVT - ANTICO SIGNATURE - ABSTRACT ENCAUSTIC TOURMALINE AROAE89	11 MID GREEN PAINT BM-622-ALPINE TRAIL	
6 MOHAWK GROUP LVT LIVING LOCAL - TERRAZZO CO180 - 736 STRABE	12 DARK GREEN PAINT BM- 623 - DEEP SEAL	

SCALE KEY



JEFFREY TORAICHI EYSER | PRODUCTION DESIGNER

(323) 741-0016 - jeff@ftb.design



WEST WALL ELEV.

REVISED : 9/30/2022
SCALE 1/4" = 1' 0"

7

SEXY SAMMIES - NORTH BUILD ELEVATIONS



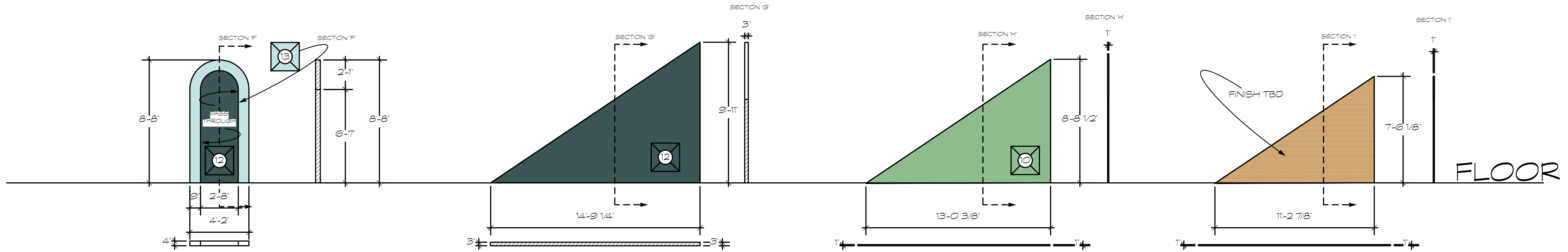
LOCATION:
COLORADO

"F" NORTH WALL DOOR ARCHWAY
8

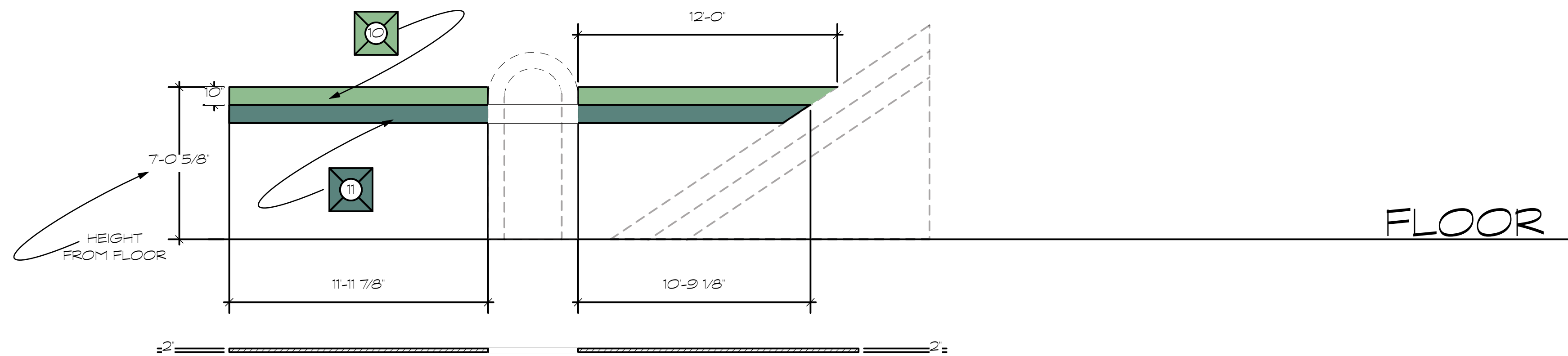
"G" TRIANGLE PLANT- ON LARGE
8

"H" TRIANGLE PLANT-ON MEDIUM
8

"I" TRIANGLE PLANT-ON SMALL
8



"J" RECTANGLE PLANT- ON
8



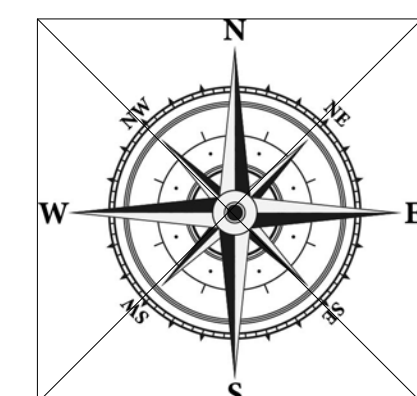
3D MODEL



REVISED
10/6/2022

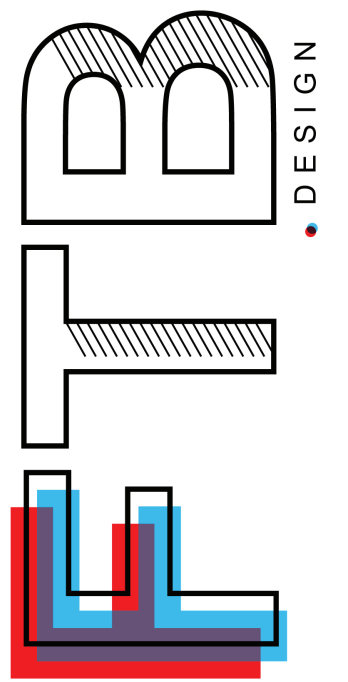
MATERIALS KEY		
SUBWAY TILE RESTORE 3' X 6' CERAMIC BEVEL BRIGHT WHITE SUBWAY TILE - HOME DEPOT	SHAW CONTRACT SURFACE OS15V - PITCH - 15500	LIGHT BLUE PAINT BM-1033-BRITTANY BLUE
FORMICA SOLID SURFACE 410 ARGENTO TERRAZZO MATRIX	SHAW CONTRACT SURFACE OS15V - QUARTZ - 15515	FUSION ION 10' WIDE MATTE BLACK LED MINI PENDENT -LAMPS PLUS
MOHAWK GROUP LVT LIVING LOCAL - CHROMASCOPE CO159 - 760 GRASS GREEN	ELEGANZA EMOTION WOOD MIELE PORCELAIN TILE - MATTE	PERSUASION CINTRONELLA TPE - 011 VINYL FABRIC
MANNINGTON LVT AMTICO SIGNATURE - ABSTRACT ENCAUSTIC TOURMALINE AROAEN89	LIGHT GREEN PAINT BM - 431-CENTRAL PARK	8240 LIQUID GLASS FORMICA LAMINATE
MANNINGTON LVT - AMTICO SIGNATURE - ABSTRACT ENCAUSTIC TOURMALINE AROAEN89	MID GREEN PAINT BM-622-ALPINE TRAIL	
MOHAWK GROUP LVT LIVING LOCAL -TERRAZZO CO180 - 736 STRABE	DARK GREEN PAINT BM- 623 - DEEP SEAL	

SCALE KEY



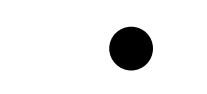
JEFFREY TORAICHI EYSER | PRODUCTION DESIGNER

(323) 741-0016 - jeff@ftb.design



NORTH BUILD ELEV.

REVISED : 10/6/2022
SCALE 1/4" = 1' 0"

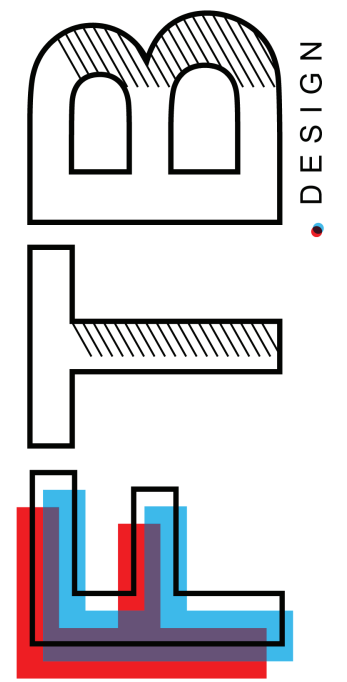


SEXY SAMMIES - PARTITION BUILD ELEVATIONS

LOCATION:
COLORADO

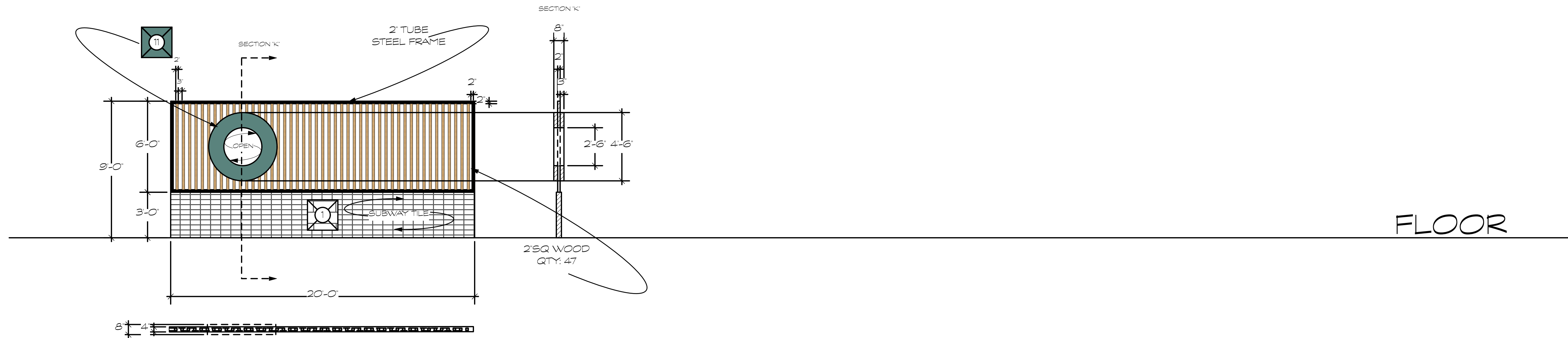
JEFFREY TORAICHI EYSER | PRODUCTION DESIGNER
(323) 741-0016 - jeff@ftb.design

PARTITION WALL BUILD

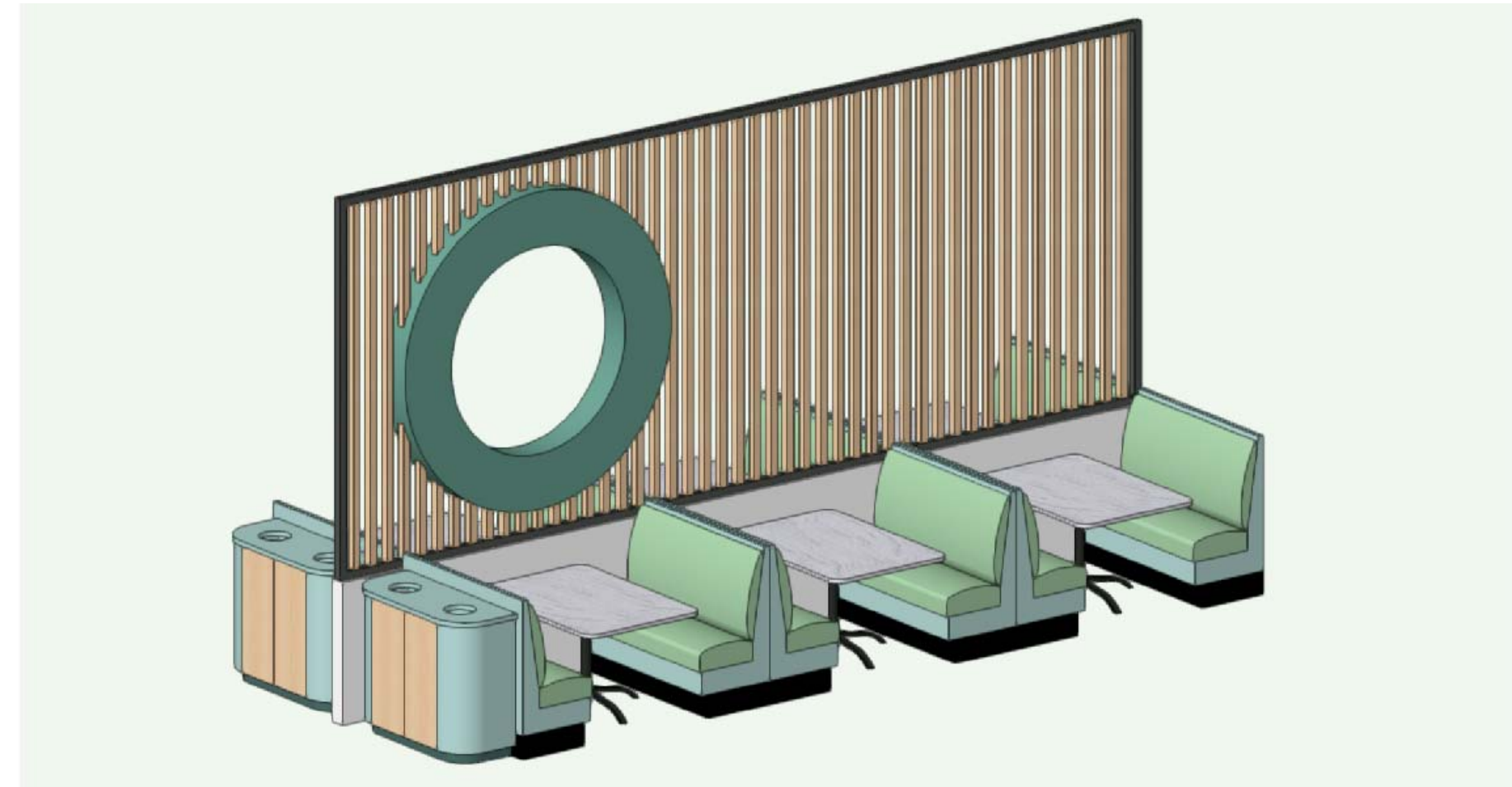


REVISED : 9/30/2022
SCALE 1/4" = 1' 0"

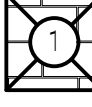















"K" PARTITION WALL
9



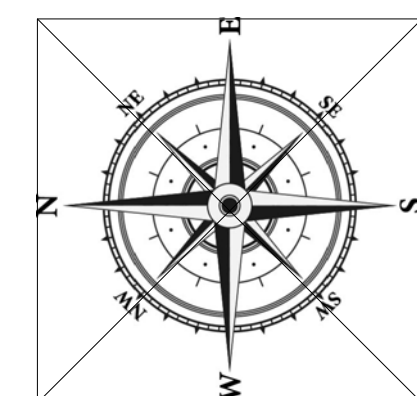
3D MODEL



MATERIALS KEY

 SUBWAY TILE RESTORE 3' X 6' CERAMIC BEVEL BRIGHT WHITE SUBWAY TILE - HOME DEPOT	 SHAW CONTRACT SURFACE OS15V - PITCH - 15500	 LIGHT BLUE PAINT BM-1633-BRITANNY BLUE
 FORMICA SOLID SURFACE 410 ARGENTO TERRAZZO MATRIX	 SHAW CONTRACT SURFACE OS15V - QUARTZ - 15515	 FUSION ION 10' WIDE MATTE BLACK LED MINI PENDENT -LAMPS PLUS
 MOHAWK GROUP LVT LIVING LOCAL - CHROMASCOPE CO159 - 760 GRASS GREEN	 ELEGANZA EMOTION WOOD MIELE PORCELAIN TILE - MATTE	 PERSUASION CINTRONELLA TPE - 011 VINYL FABRIC
 MANNINGTON LVT ANTICO SIGNATURE - ABSTRACT ENCAUSTIC TOURMALINE AROAE89	 LIGHT GREEN PAINT BM - 431-CENTRAL PARK	 8240 LIQUID GLASS FORMICA LAMINATE
 MANNINGTON LVT - ANTICO SIGNATURE - ABSTRACT ENCAUSTIC TOURMALINE AROAE89	 MID GREEN PAINT BM-622-ALPINE TRAIL	
 MOHAWK GROUP LVT LIVING LOCAL -TERRAZZO CO180 - 736 STRABE	 DARK GREEN PAINT BM- 623 - DEEP SEAL	

SCALE KEY

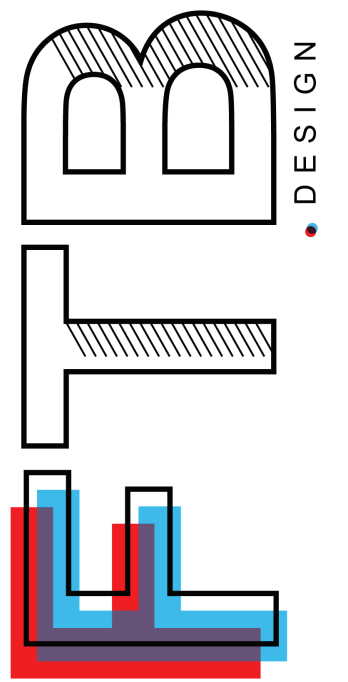


SEXY SAMMIES - SOUTH WALL BUILD ELEVATIONS

LOCATION:
COLORADO

JEFFREY TORAICHI EYSER | PRODUCTION DESIGNER

(323) 741-0016 - jeff@ftb.design

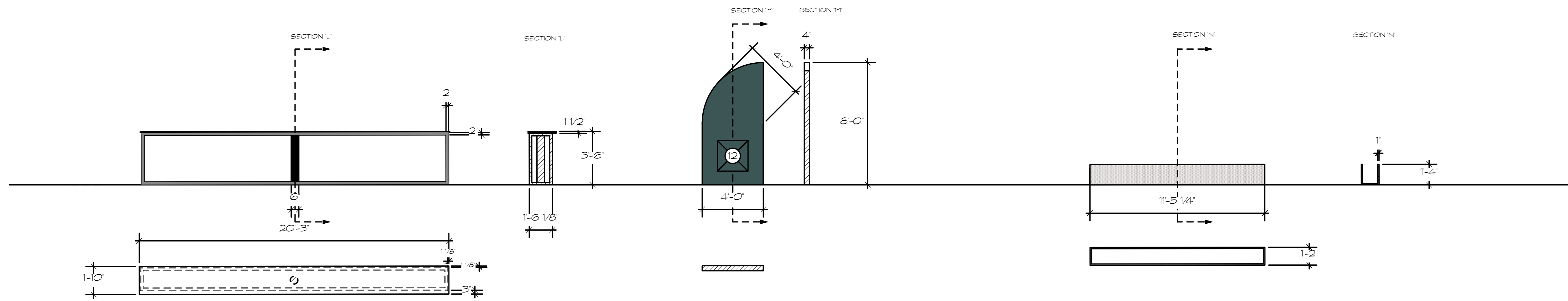


SOUTH BUILD ELEV.

"L" BAR HEIGHT COUNTER
10

"M" SOUTH ARCH WALL DIVIDER
10

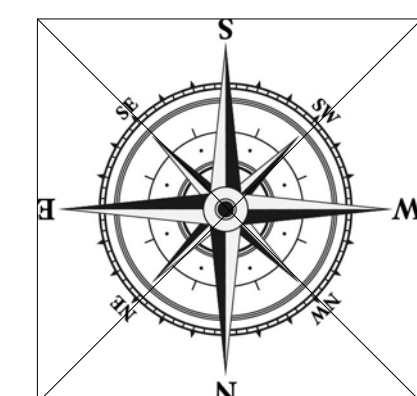
"N" PLANTERS
10



REVISED
10/6/2022

MATERIALS KEY					
1	SUBWAY TILE RESTORE 3' X 6' CERAMIC BEVEL BRIGHT WHITE SUBWAY TILE - HOME DEPOT	7	SHAW CONTRACT SURFACE OS15V - PITCH - 15500	13	LIGHT BLUE PAINT BM-1633-BRITTANY BLUE
2	FORMICA SOLID SURFACE 4'0 ARGENTO TERRAZZO MATRIX	8	SHAW CONTRACT SURFACE OS15V - QUARTZ - 15515	14	FUSION ION 10' WIDE MATTE BLACK LED MINI PENDENT -LAMPS PLUS
3	MCHAWK GROUP LVT LIVING LOCAL - CHROMASCOPE CO159 - 760 GRASS GREEN	9	ELEGANZA EMOTION WOOD MIELE PORCELAIN TILE - MATTE	15	PERSUASION CINTRONELLA TPE - 011 VINYL FABRIC
4	MANNINGTON LVT ANTICO SIGNATURE - ABSTRACT ENCAUSTIC TOURMALINE AROAE89	10	LIGHT GREEN PAINT BM - 431-CENTRAL PARK	16	8240 LIQUID GLASS FORMICA LAMINATE
5	MANNINGTON LVT - ANTICO SIGNATURE - ABSTRACT ENCAUSTIC TOURMALINE AROAE89	11	MID GREEN PAINT BM-622-ALPINE TRAIL		
6	MCHAWK GROUP LVT LIVING LOCAL TERRAZZO CO180 - 736 STRABE	12	DARK GREEN PAINT BM- 623 - DEEP SEAL		

SCALE KEY



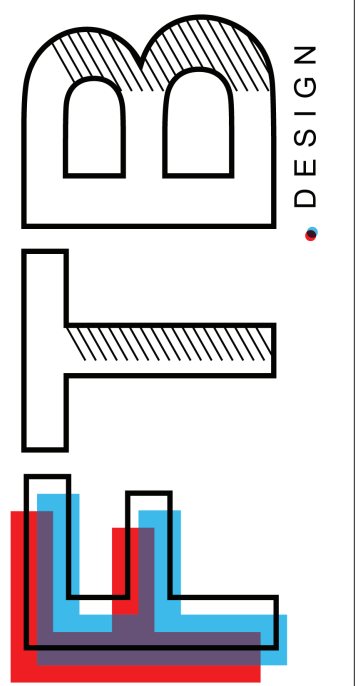
REVISED : 10/6/2022
SCALE 1/4" = 1' 0"

10

SEXY SAMMIES - WEST WALL & SERVER WALL BUILD ELEVATIONS

LOCATION:
COLORADO

JEFFREY TORAICHI EYSER | PRODUCTION DESIGNER
(323) 741-0016 - jeff@ftb.design



WEST WALL & SERVER BUILD

REVISED : 9/30/2022
SCALE 1/4" = 1' 0"

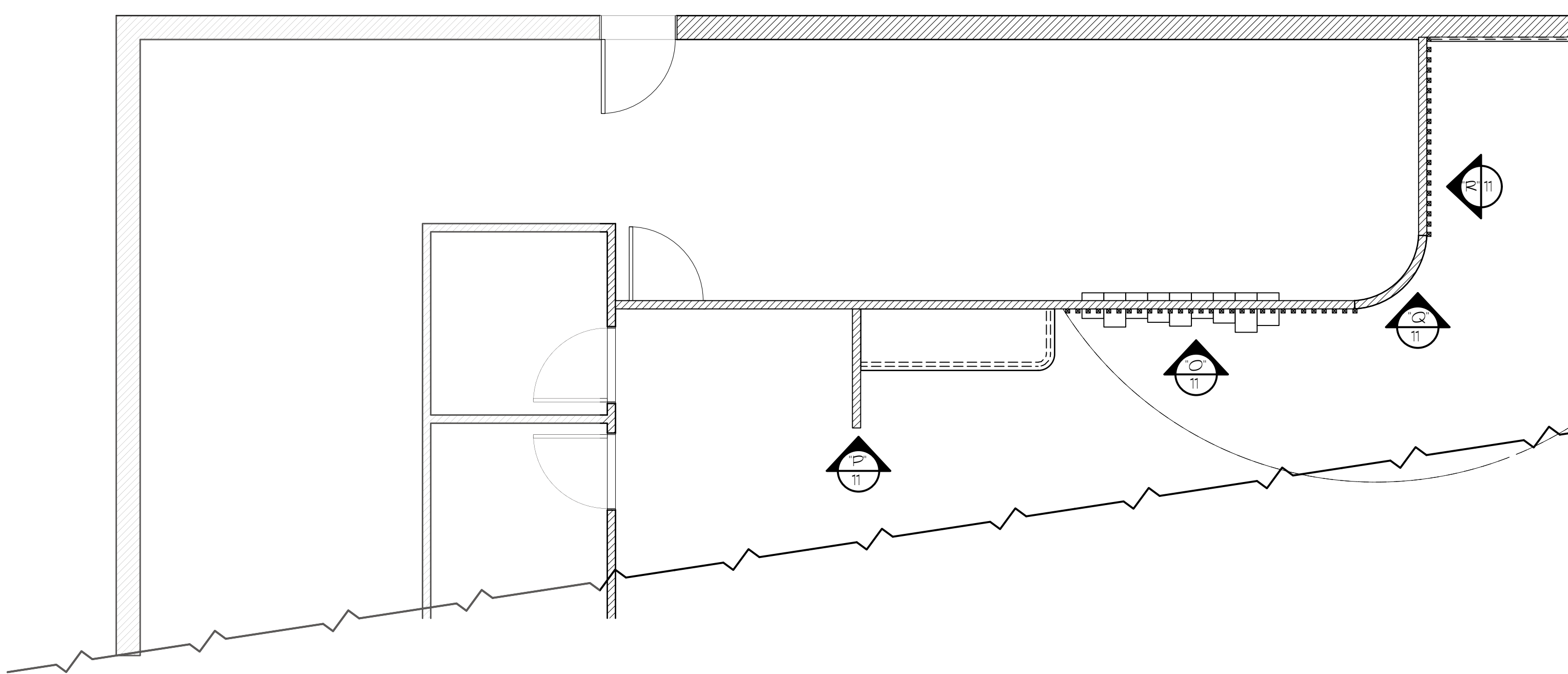
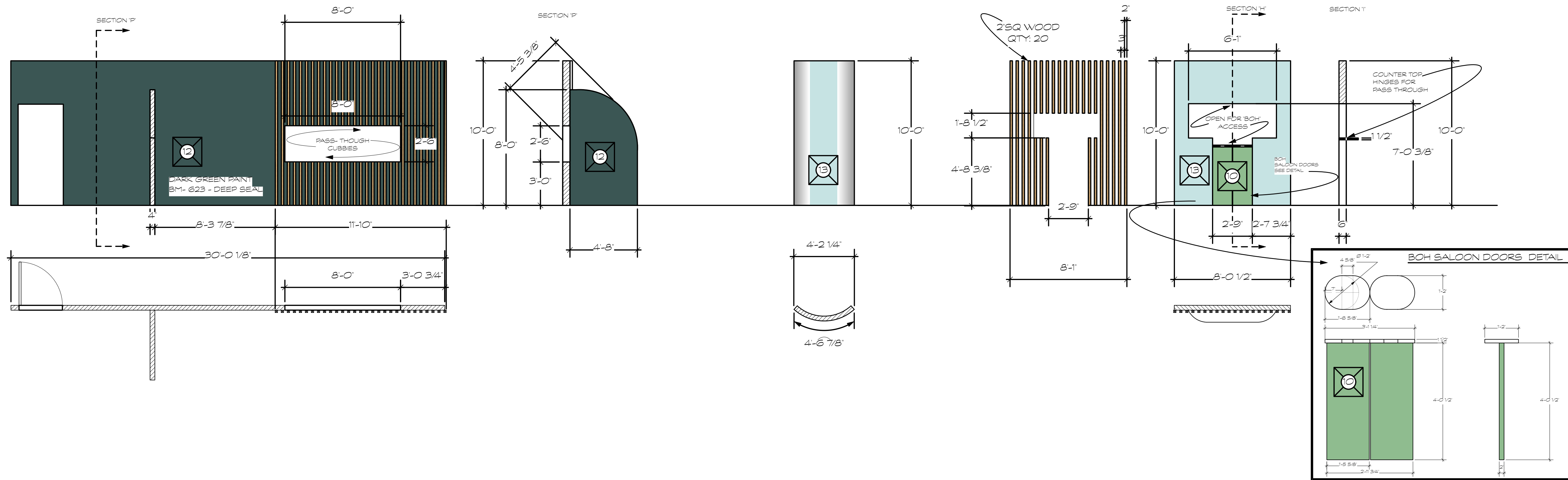
11

"O" WEST ARCH WALL DIVIDER
11

"P" WEST ARCH WALL DIVIDER
11

"Q" CURVED WALL
11

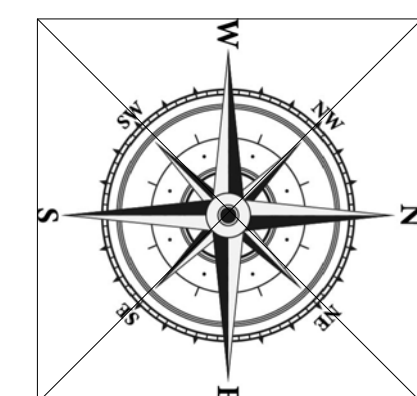
"R" SERVER PASS-THROUGH
11



MATERIALS KEY

1 SUBWAY TILE RESTORE 3' X 6' CERAMIC BEVEL BRIGHT WHITE SUBWAY TILE - HOME DEPOT	7 SHAW CONTRACT SURFACE OS'ISV - PITCH - 15500	13 LIGHT BLUE PAINT BM-1633-BRITANNY BLUE
2 FORMICA SOLID SURFACE 410 ARGENTO TERRAZZO MATRIX	8 SHAW CONTRACT SURFACE OS'ISV - QUARTZ - 15515	14 FUSION ION 10" WIDE MATTE BLACK LED MINI PENDENT - LAMPS PLUS
3 MOHAWK GROUP LVT LIVING LOCAL - CHROMASCOPE CO159 - 760 GRASS GREEN	9 ELEGANZA EMOTION WOOD MIELE PORCELAIN TILE - MATTE	15 PERSUASION CINTRONELLA TPE - 011 VINYL FABRIC
4 MANNINGTON LVT AMTICO SIGNATURE - ABSTRACT ENCAUSTIC TOURMALINE AROAEN89	10 LIGHT GREEN PAINT BM-1431-CENTRAL PARK	16 8240 LIQUID GLASS FORMICA LAMINATE
5 MANNINGTON LVT - AMTICO SIGNATURE - ABSTRACT ENCAUSTIC TOURMALINE AROAEN89	11 MID GREEN PAINT BM-622-ALPINE TRAIL	
6 MOHAWK GROUP LVT LIVING LOCAL - TERRAZZO CO180 - 736 STRABE	12 DARK GREEN PAINT BM- 623 - DEEP SEAL	

SCALE KEY

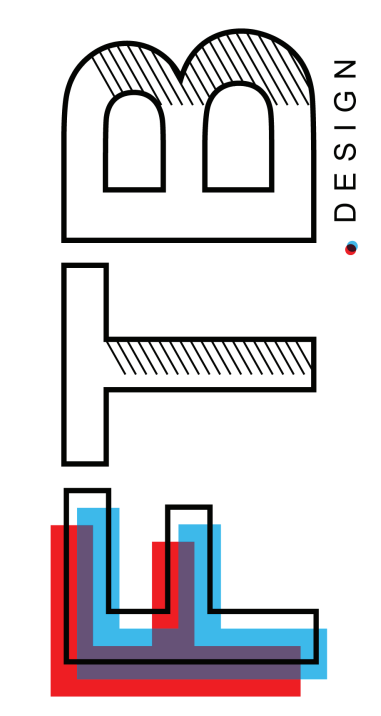


SEXY SAMMIES - TRASH & DRINK STATION ISO



LOCATION:
COLORADO

JEFFREY TORAICHI EYSER | PRODUCTION DESIGNER
(323) 741-0016 - jeff@ftb.design



TRASH & DRINK STATION

REVISED : 9/30/2022
SCALE 1" = 1' 0"

12

PAGE 12 OF 18

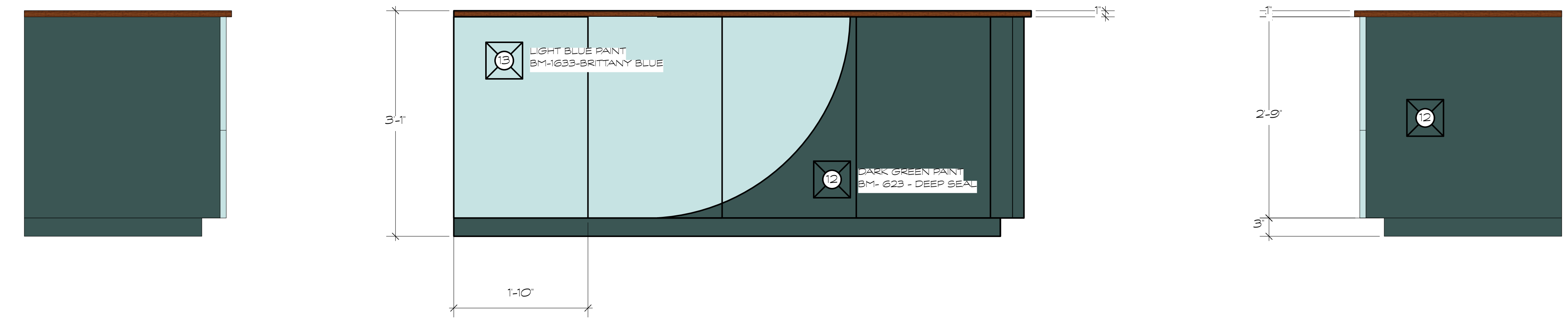
"S" DRINK STATION LEFT ELEVATION
12

"S" DRINK STATION - TOP ELEVATION
12

"S" DRINK STATION RIGHT ELEVATION
12



"S" DRINK STATION - FRONT ELEVATION
12

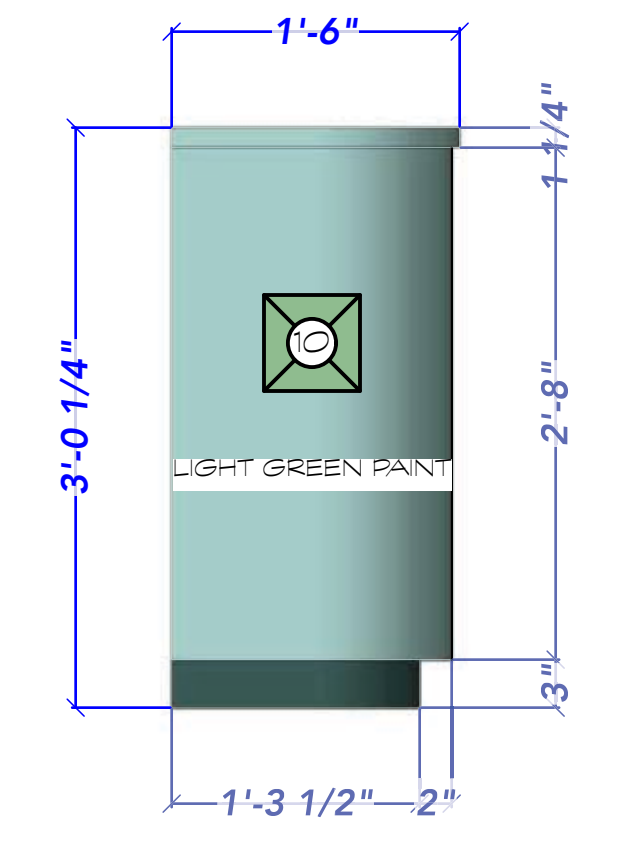
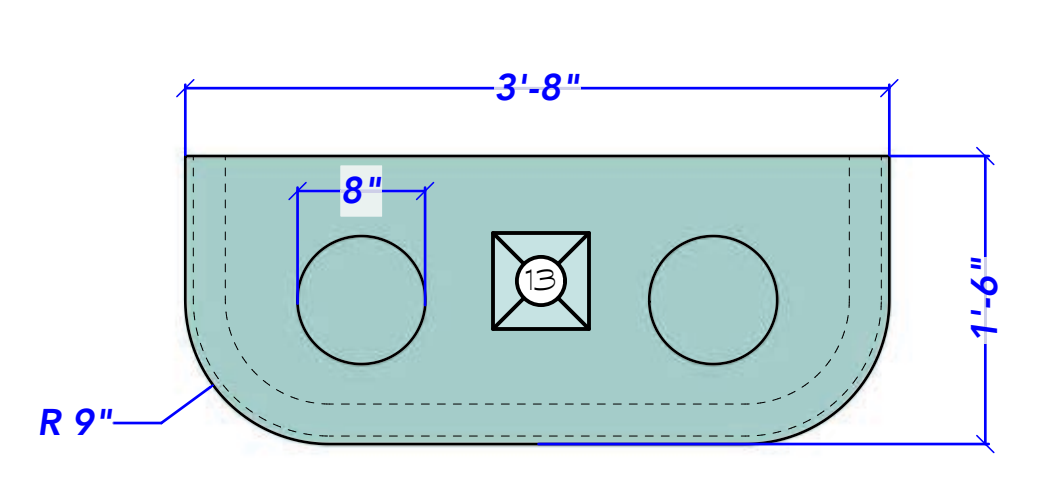
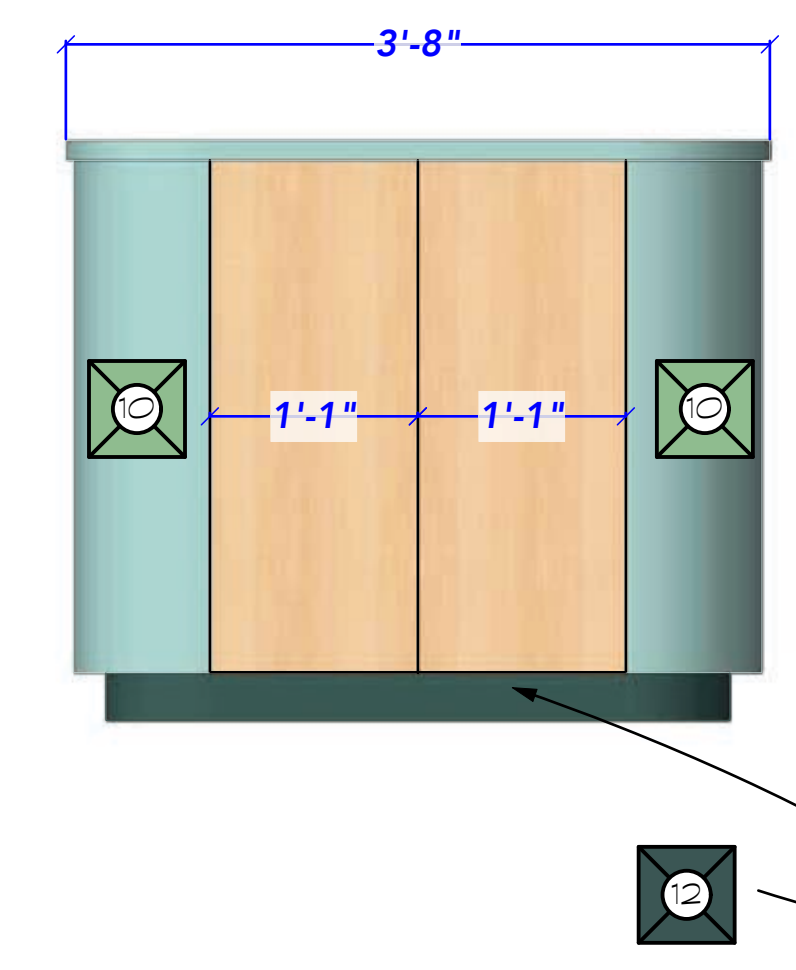
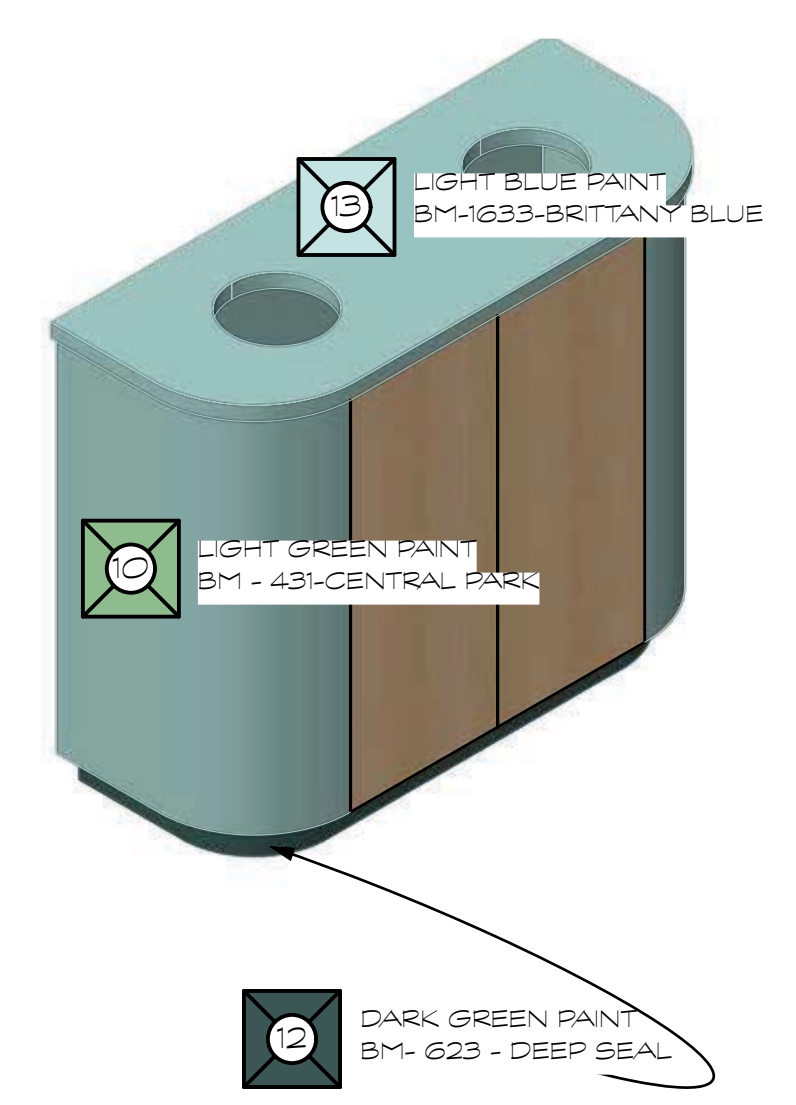


"T" TRASH BIN ISO
12

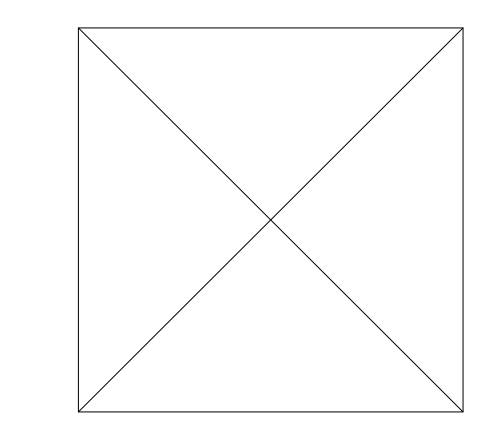
"T" TRASH BIN - FRONT ELEVATION
12

"T" TRASH BIN - TOP ELEVATION
12

"T" TRASH BIN - SIDE ELEVATION
12



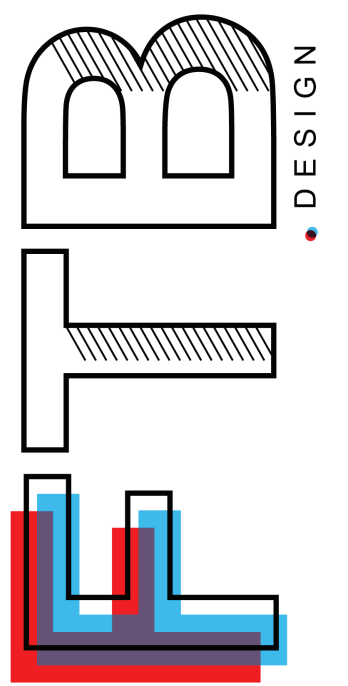
SCALE KEY



SEXY SAMMIES - MAIN COUNTER

LOCATION:
COLORADO

JEFFREY TORAICHI EYSER | PRODUCTION DESIGNER
(323) 741-0016 - jeff@ftb.design

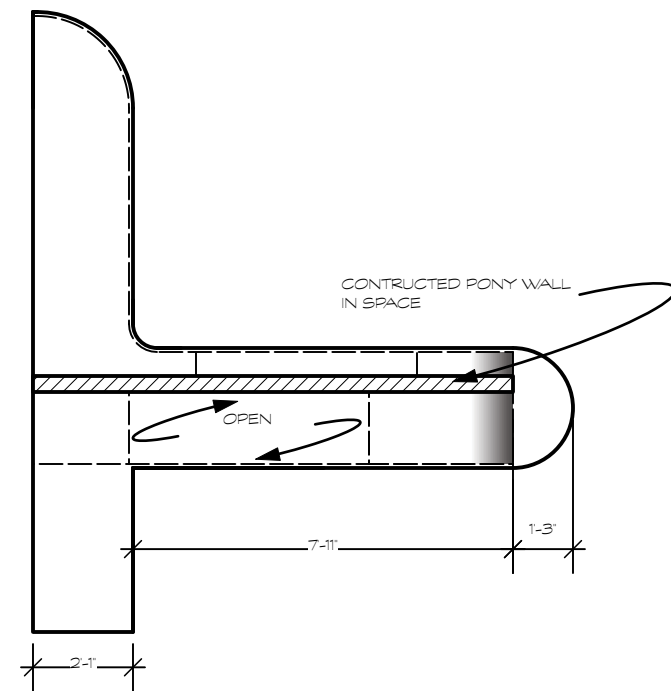


MAIN COUNTER

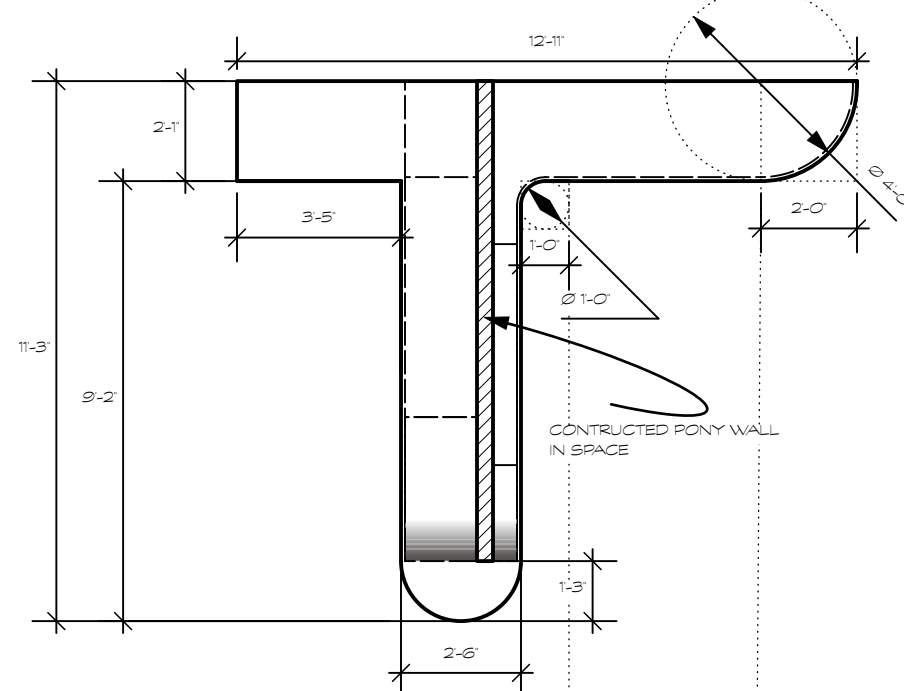
REVISED : 9/30/2022
SCALE 1" = 1' 0"

13

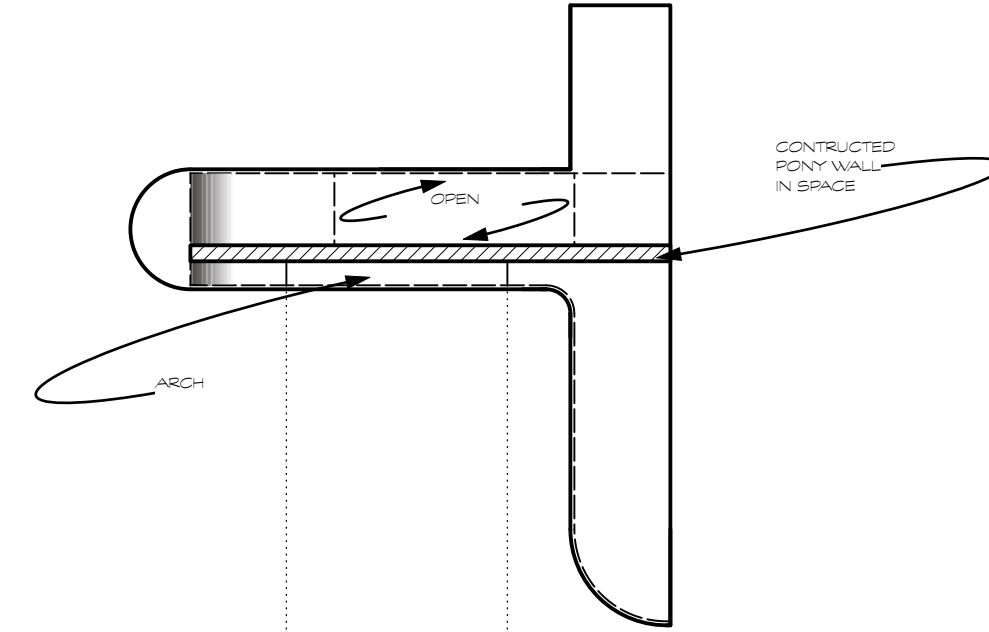
"U" MAIN COUNTER LEFT ELEVATION
13



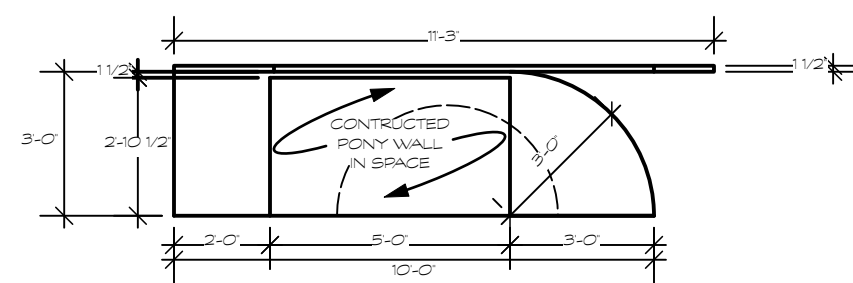
"U" MAIN COUNTER TOP ELEVATION
13



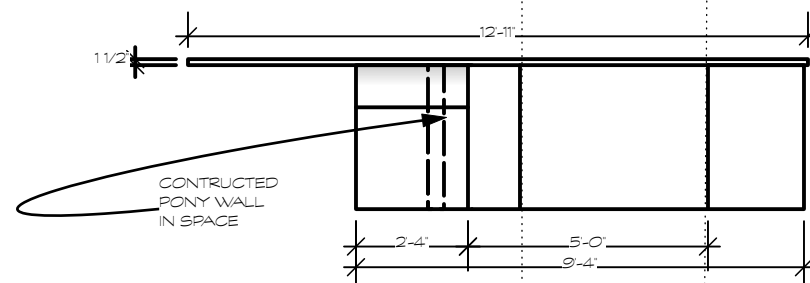
"U" MAIN COUNTER RIGHT ELEVATION
13



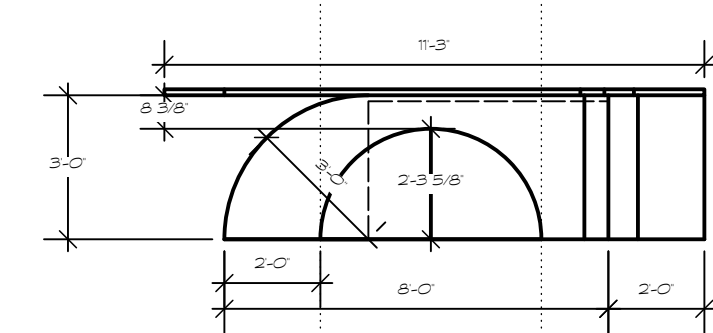
"U" MAIN COUNTER LEFT ELEVATION
13



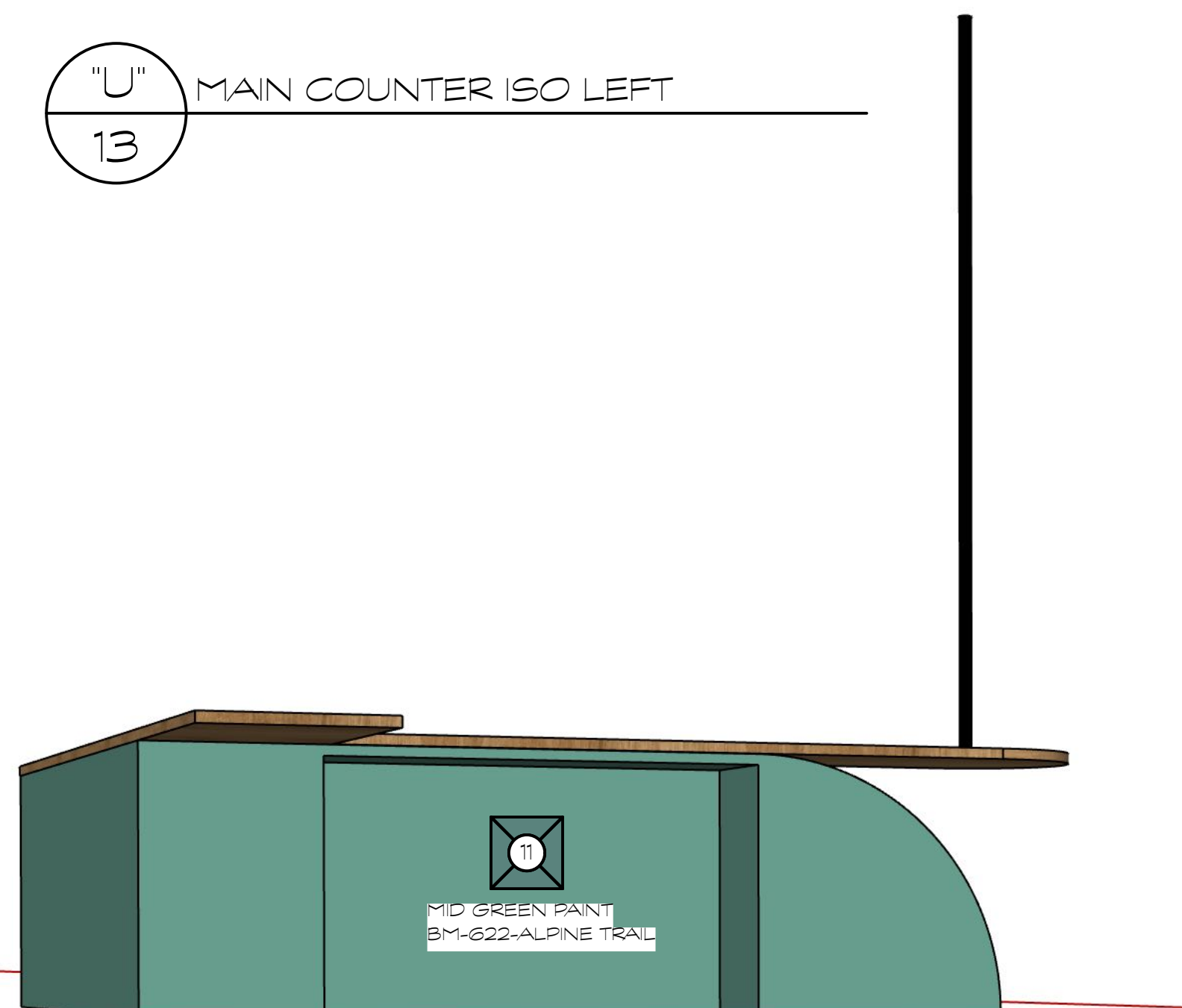
"U" MAIN COUNTER FRONT ELEVATION
13



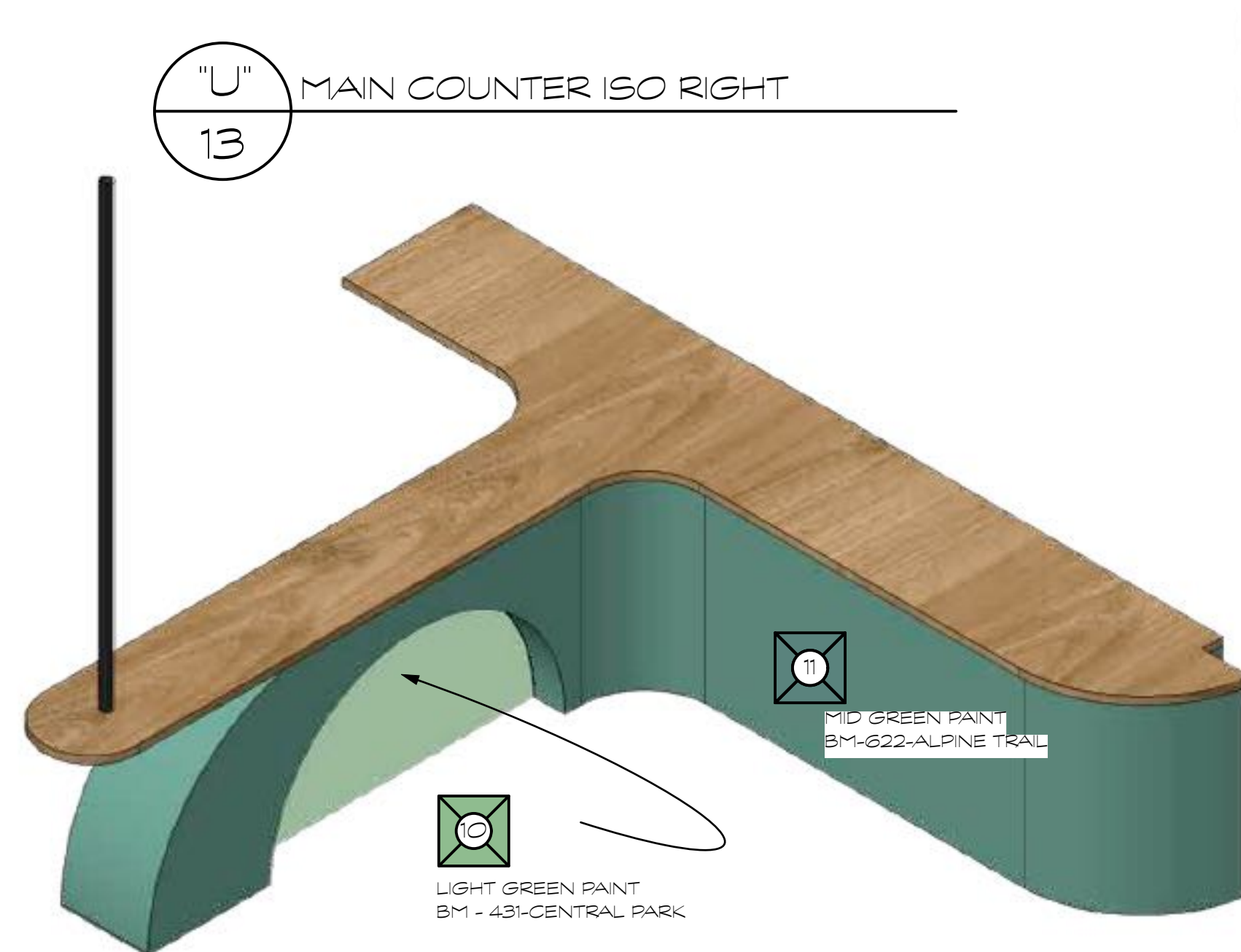
"U" MAIN COUNTER RIGHT ELEVATION
13



"U" MAIN COUNTER ISO LEFT
13

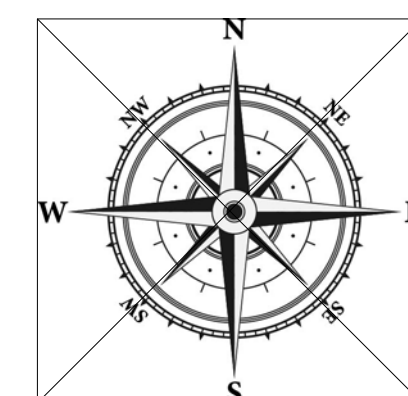


"U" MAIN COUNTER ISO RIGHT
13



MATERIALS KEY		
1 SUBWAY TILE RESTORE 3' X 6' CERAMIC BEVEL BRIGHT WHITE SUBWAY TILE - HOME DEPOT	7 SHAW CONTRACT SURFACE OS15V - PITCH - 15800	13 LIGHT BLUE PAINT BM-1633-BRITTANY BLUE
2 FORMICA SOLID SURFACE 410 ARGENTO TERRAZZO MATRIX	8 SHAW CONTRACT SURFACE OS15V - QUARTZ - 15515	14 FUSION ION 10" WIDE MATTE BLACK LED MINI PENDENT - LAMPS PLUS
3 MOHAWK GROUP LVT LIVING LOCAL - CHROMASCOPE CO159 - 760 GRASS GREEN	9 ELEGANZA EMOTION WOOD MIELE PORCELAIN TILE - MATTE	15 PERSUASION CINTRONELLA TPE - 011 VINYL FABRIC
4 MANNINGTON LVT ANTIQO SIGNATURE - ABSTRACT ENCAUSTIC TOURMALINE AROAEN89	10 LIGHT GREEN PAINT BM-431-CENTRAL PARK	16 8240 LIQUID GLASS FORMICA LAMINATE
5 MANNINGTON LVT ANTIQO SIGNATURE - ABSTRACT ENCAUSTIC TOURMALINE AROAEN89	11 MID GREEN PAINT BM-622-ALPINE TRAIL	
6 MOHAWK GROUP LVT LIVING LOCAL - TERRAZZO CO180 - 736 STRABE	12 DARK GREEN PAINT BM-623 - DEEP SEAL	

SCALE KEY



SEXY SAMMIES - BOOTHS ON SOUTH WINDOW WALL

LOCATION:
COLORADO

JEFFREY TORAICHI EYSER | PRODUCTION DESIGNER

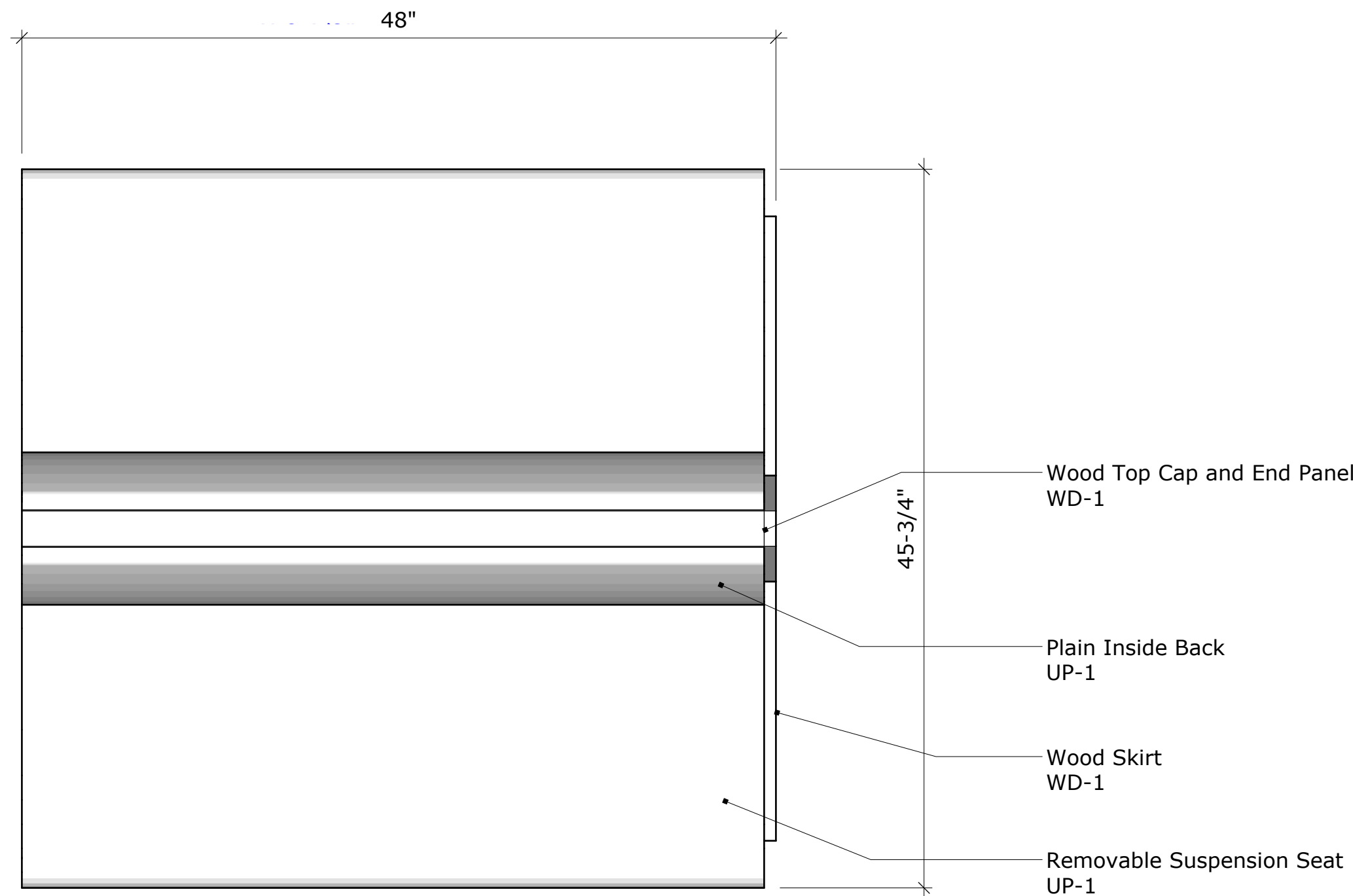
(323) 741-0016 - jeff@ftb.design

SOUTH WALL BOOTHS

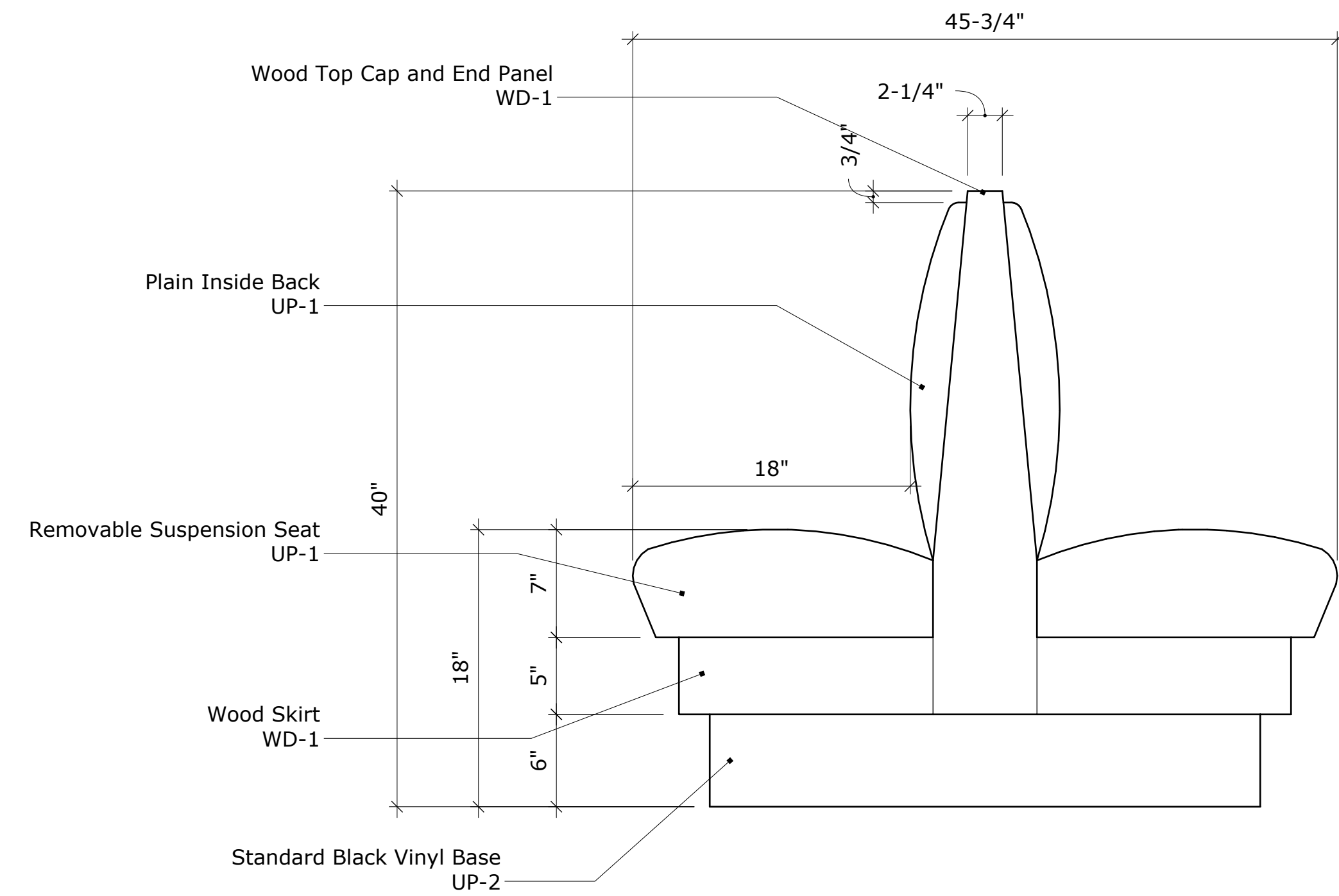
14 BOOTH TABLE - TOP ELEVATION



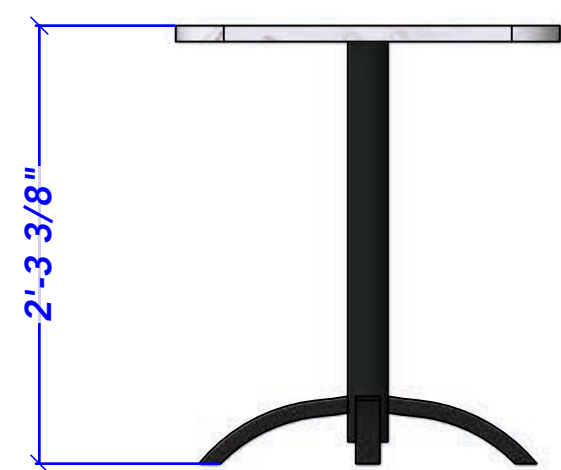
14 BENCH SEATING TOP ELEVATION



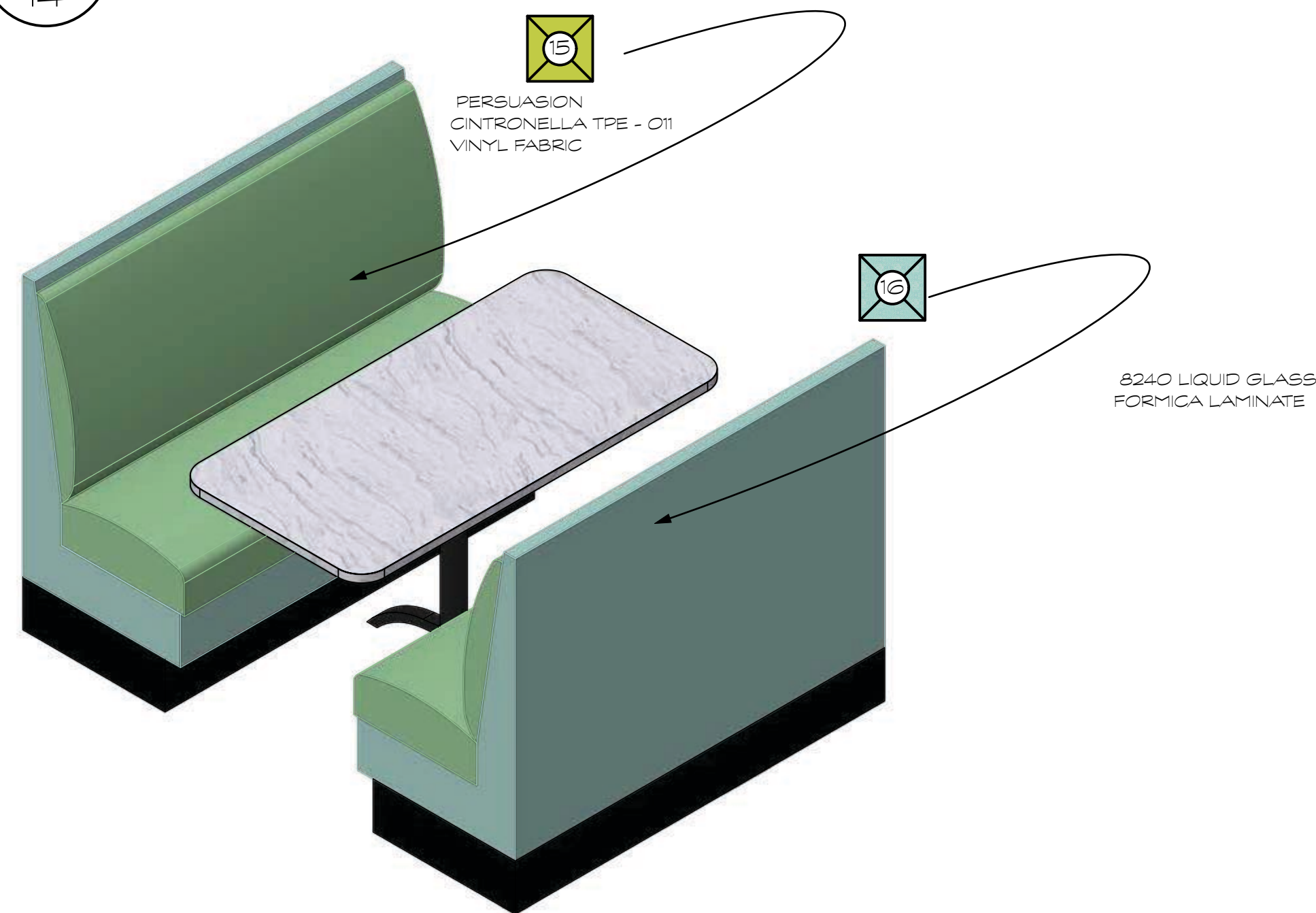
14 BOOTH - SIDE ELEVATION



14 BOOTH TABLE - SIDE ELEVATION



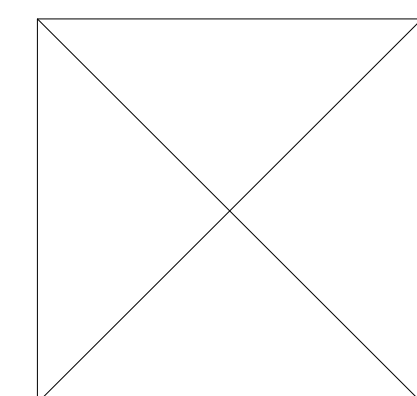
14 BOOTH ISO



MATERIALS KEY

1 SUBWAY TILE RESTORE 3' X 6' CERAMIC BEVEL BRIGHT WHITE SUBWAY TILE - HOME DEPOT	7 SHAW CONTRACT SURFACE OS15V - PITCH - 15500	13 LIGHT BLUE PAINT BM-1633-BRITANNY BLUE
2 FORMICA SOLID SURFACE 440 ARGENTO TERRAZZO MATRIX	8 SHAW CONTRACT SURFACE OS15V - QUARTZ - 15515	14 FUSION ION 10' WIDE MATTE BLACK LED MINI PENDENT LAMPS PLUS
3 MOHAWK GROUP LVT LIVING LOCAL - CHROMASCOPE CO159 - 760 GRASS GREEN	9 ELEGANZA EMOTION WOOD MIELE PORCELAIN TILE - MATTE	15 PERSUASION CINTRONELLA TPE - 011 VINYL FABRIC
4 MANNINGTON LVT ANTIQO SIGNATURE - ABSTRACT ENCAUSTIC TOURMALINE AROAENS9	10 LIGHT GREEN PAINT BM-1-431-CENTRAL PARK	16 8240 LIQUID GLASS FORMICA LAMINATE
5 MANNINGTON LVT ANTIQO SIGNATURE - ABSTRACT ENCAUSTIC TOURMALINE AROAENS9	11 MID GREEN PAINT BM-622-ALPINE TRAIL	
6 MOHAWK GROUP LVT LIVING LOCAL - TERRAZZO CO180 - 736 STRABE	12 DARK GREEN PAINT BM-623 - DEEP SEAL	

SCALE KEY



REVISED : 9/30/2022
SCALE 1" = 1' 0"

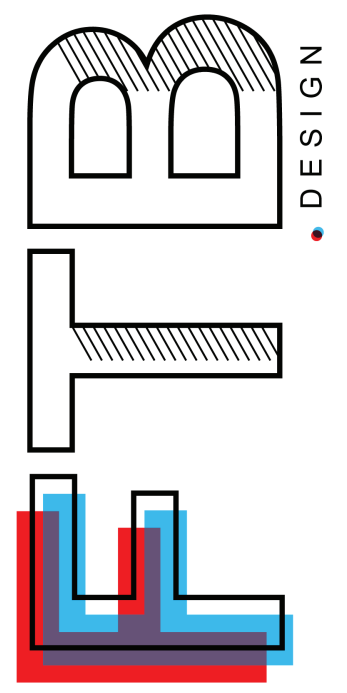
14

SEXY SAMMIES - BOOTHS ON PARTITION WALL

LOCATION:
COLORADO

JEFFREY TORAICHI EYSER | PRODUCTION DESIGNER
(323) 741-0016 - jeff@ftb.design

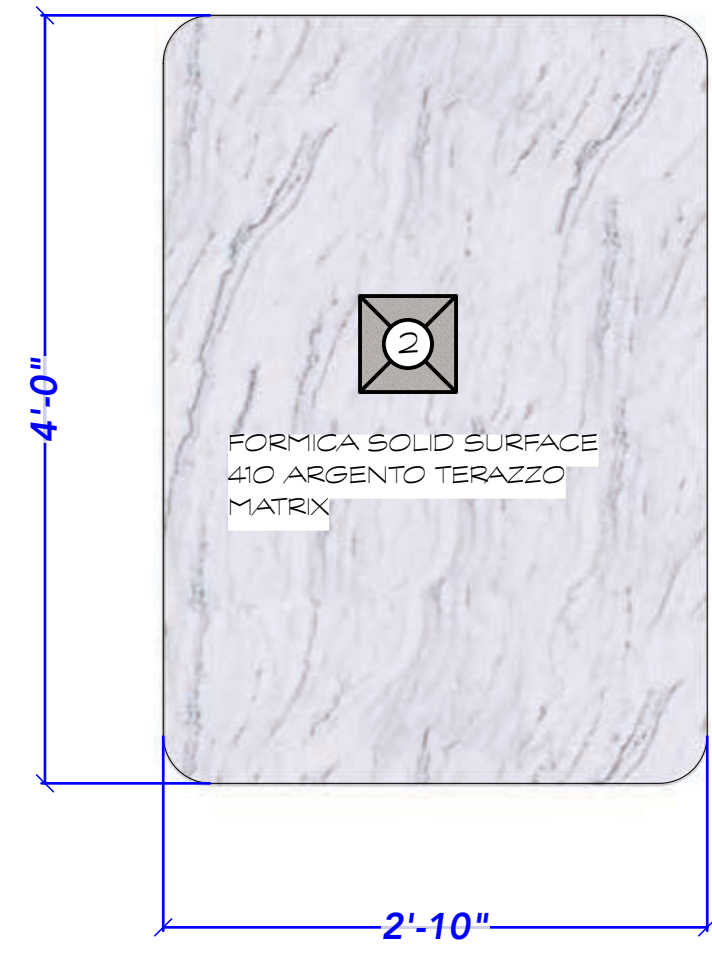
PARTITION WALL BOOTHS



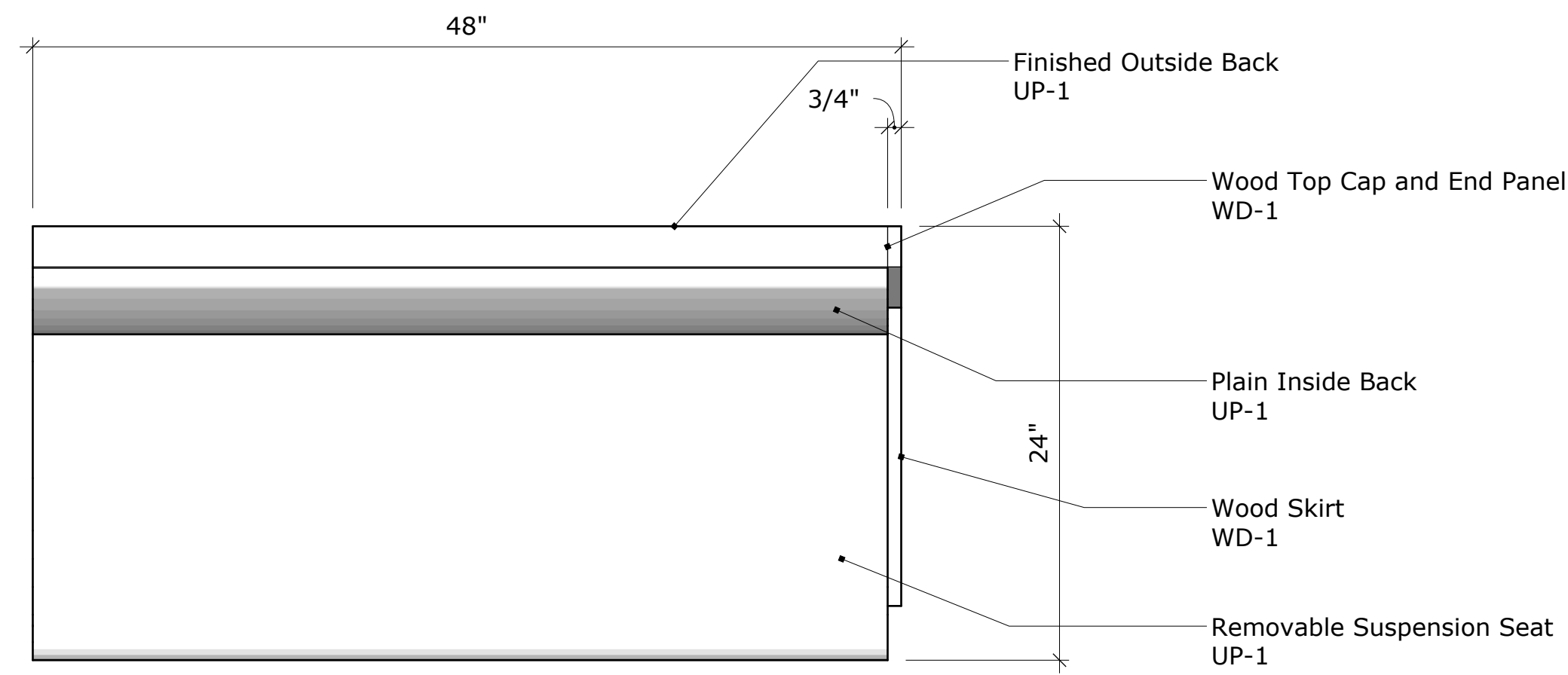
REVISED : 9/30/2022
SCALE 1" = 1' 0"

15

"W" 15 BOOTH TABLE - TOP ELEVATION



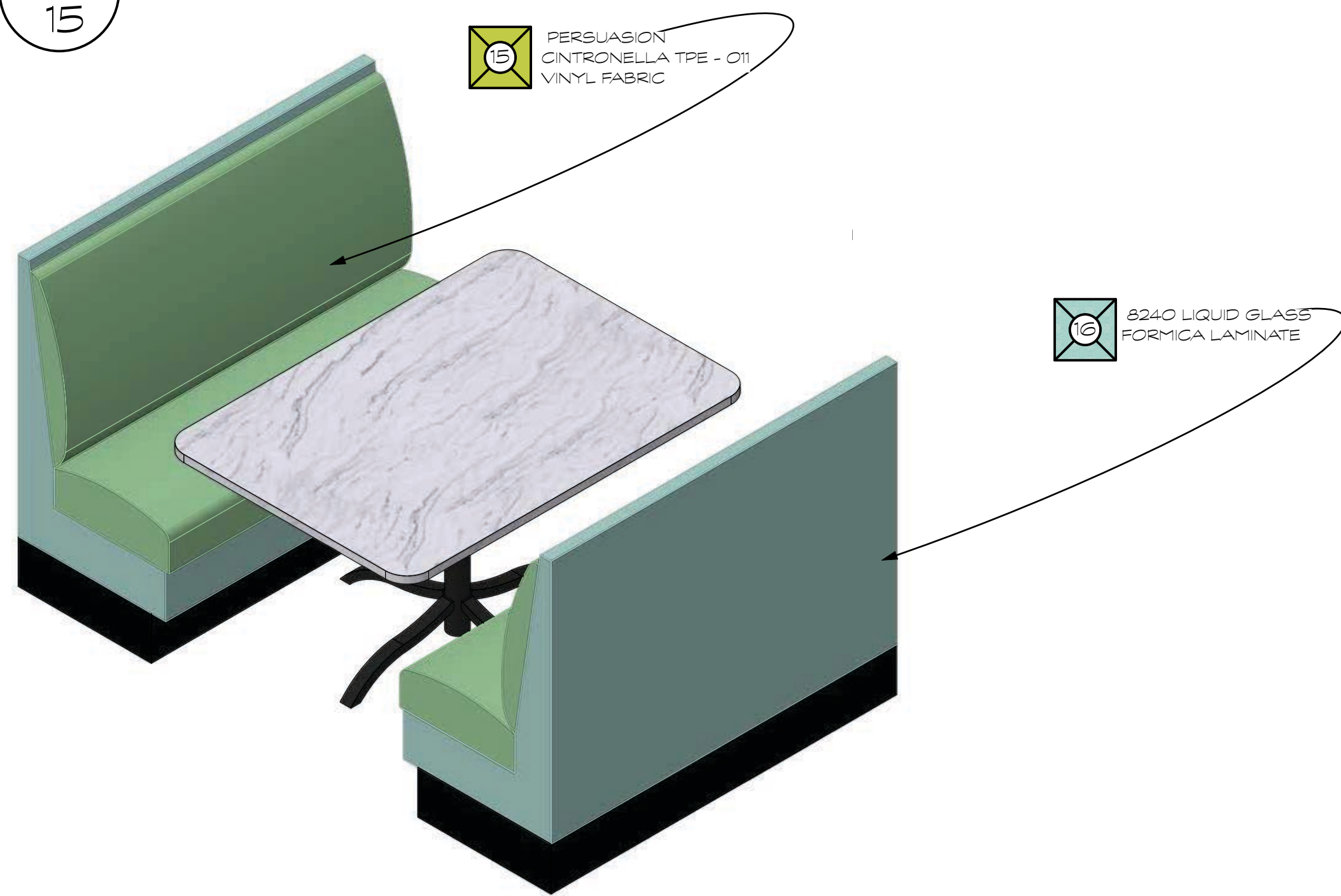
"W" 15 BENCH SEATING TOP ELEVATION



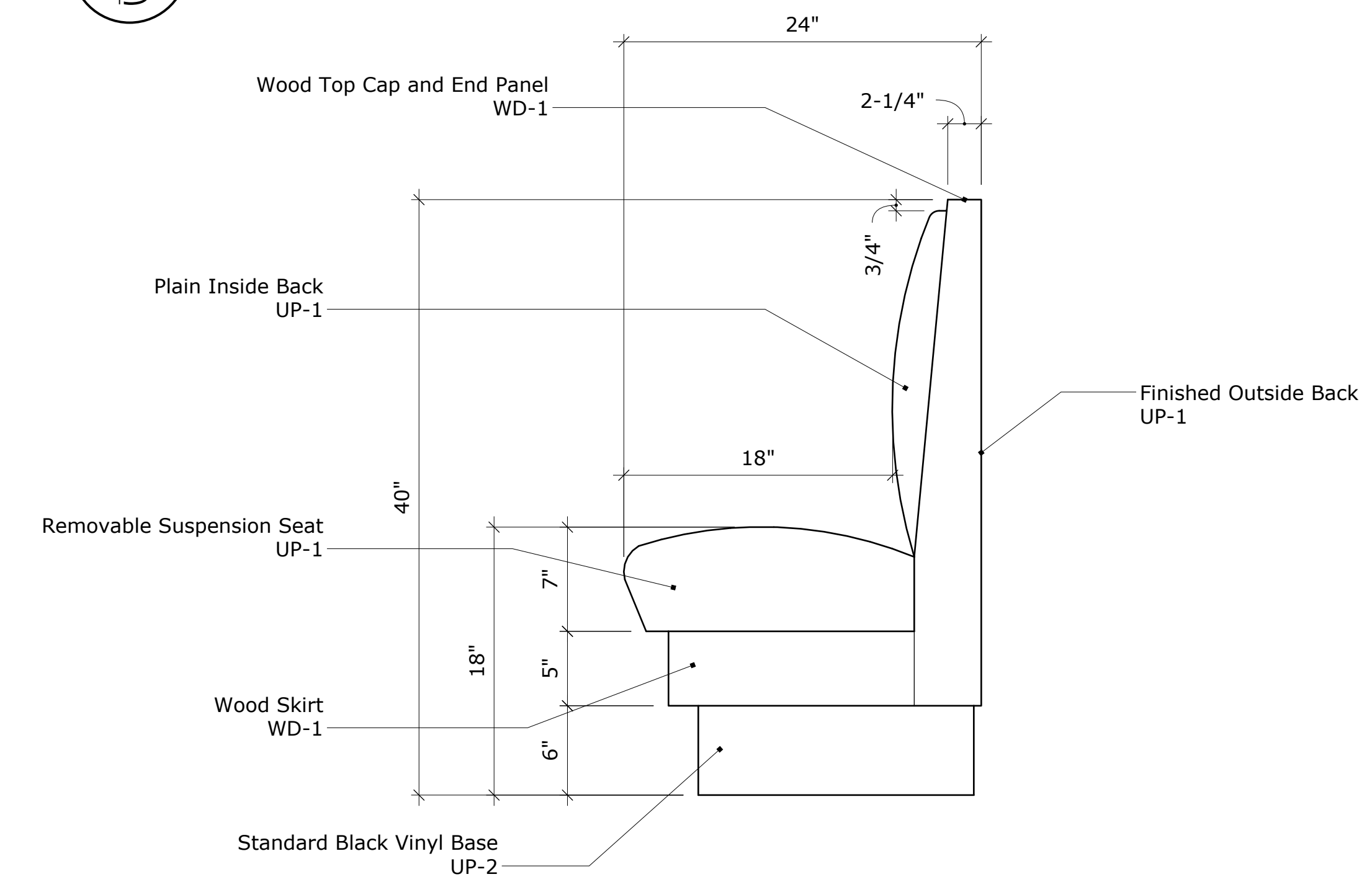
"W" 15 BOOTH TABLE - SIDE ELEVATION



"W" 15 BOOTH ISO

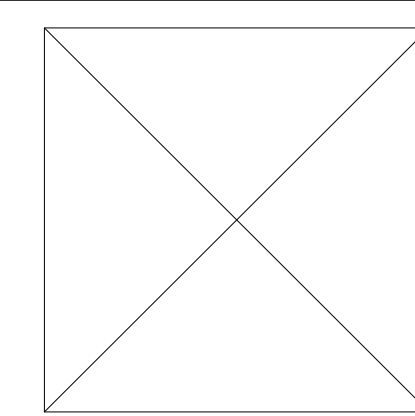


"W" 15 BOOTH - SIDE ELEVATION



MATERIALS KEY					
1	SUBWAY TILE RESTORE 3" X 6" CERAMIC BEVEL BRIGHT WHITE SUBWAY TILE - HOME DEPOT	7	SHAW CONTRACT SURFACE OS15V - PITCH - 15500	13	LIGHT BLUE PAINT BM-1633-BRITANNY BLUE
2	FORMICA SOLID SURFACE 410 ARGENTO TERRAZZO MATRIX	8	SHAW CONTRACT SURFACE OS15V - QUARTZ - 15515	14	FUSION ION 10" WIDE MATTE BLACK LED MINI PENDENT - LAMPS PLUS
3	MOHAWK GROUP LVT LIVING LOCAL - CHROMASCOPE CO159 - 760 GRASS GREEN	9	ELEGANZA EMOTION WOOD MIELE PORCELAIN TILE - MATTE	15	PERSUASION GINTRONELLA TPE - 011 VINYL FABRIC
4	MANNINGTON LVT ANTIQO SIGNATURE - ABSTRACT ENCAUSTIC TOURMALINE AROAENS9	10	LIGHT GREEN PAINT BM - 431-CENTRAL PARK	16	8240 LIQUID GLASS FORMICA LAMINATE
5	MANNINGTON LVT - ANTIQO SIGNATURE - ABSTRACT ENCAUSTIC TOURMALINE AROAENS9	11	M/D GREEN PAINT BM-622-ALPINE TRAIL		
6	MOHAWK GROUP LVT LIVING LOCAL - TERRAZZO CO180 - 736 STRABE	12	DARK GREEN PAINT BM- 623 - DEEP SEAL		

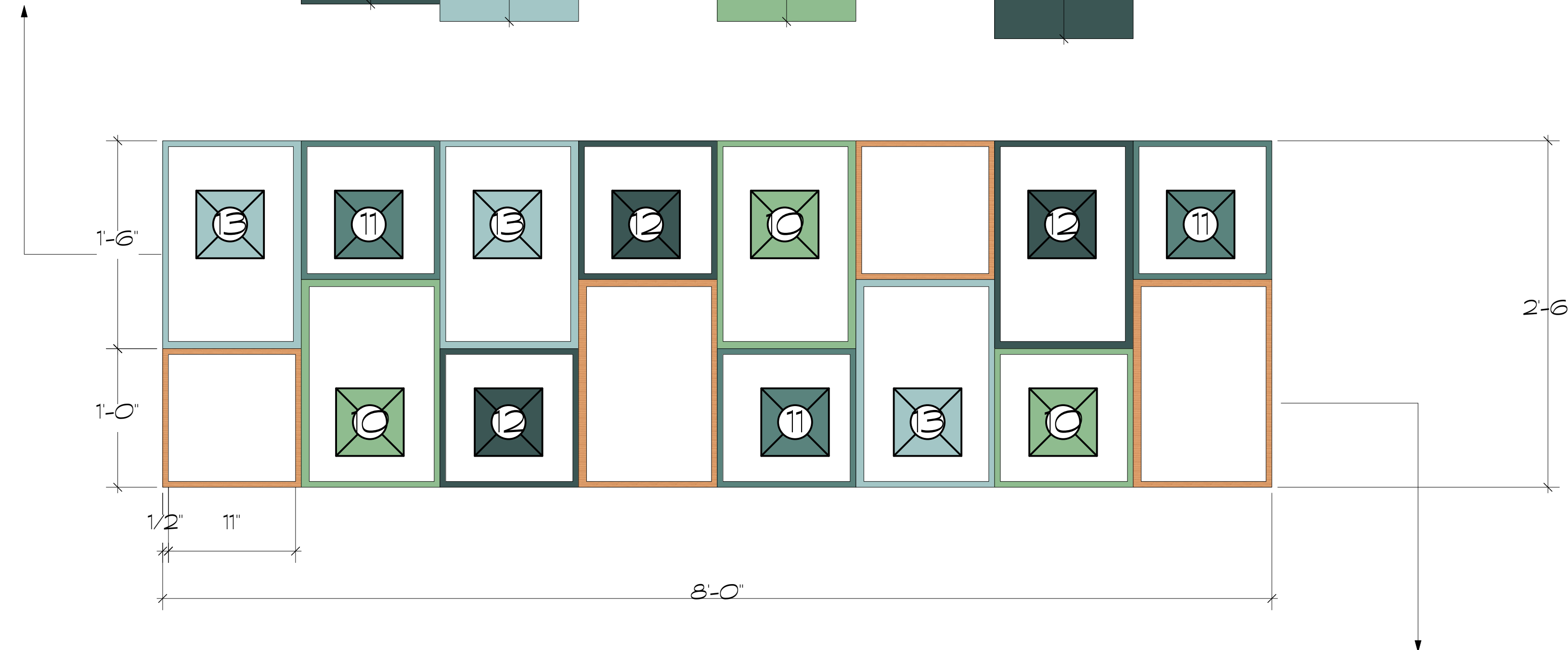
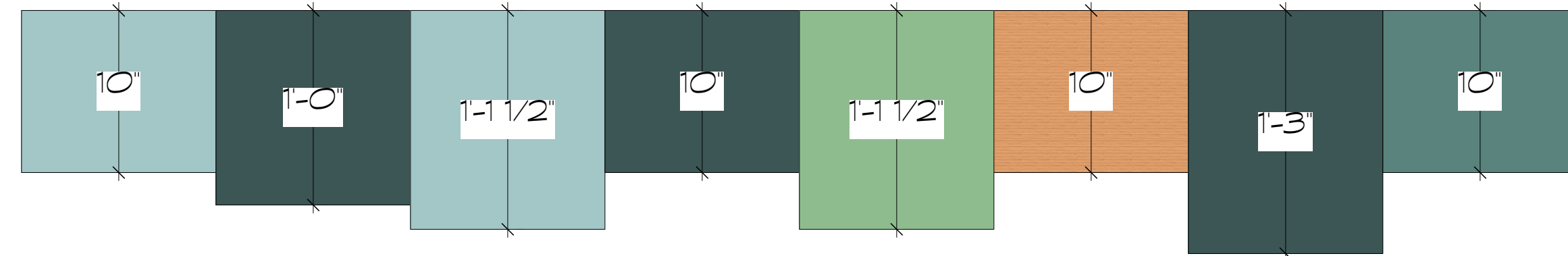
SCALE KEY



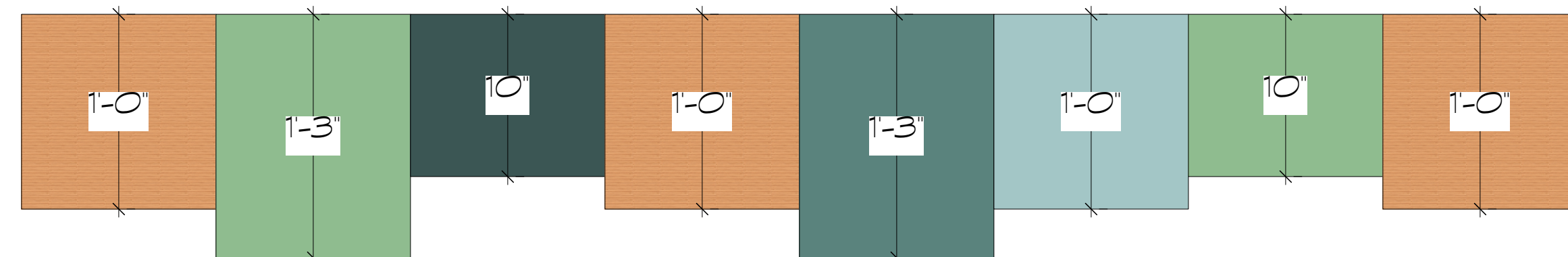
SEXY SAMMIES - PASS-THROUGH CUBBIE ISO

"X"
16
PASS-THROUGH CUBBIES ELEVATION

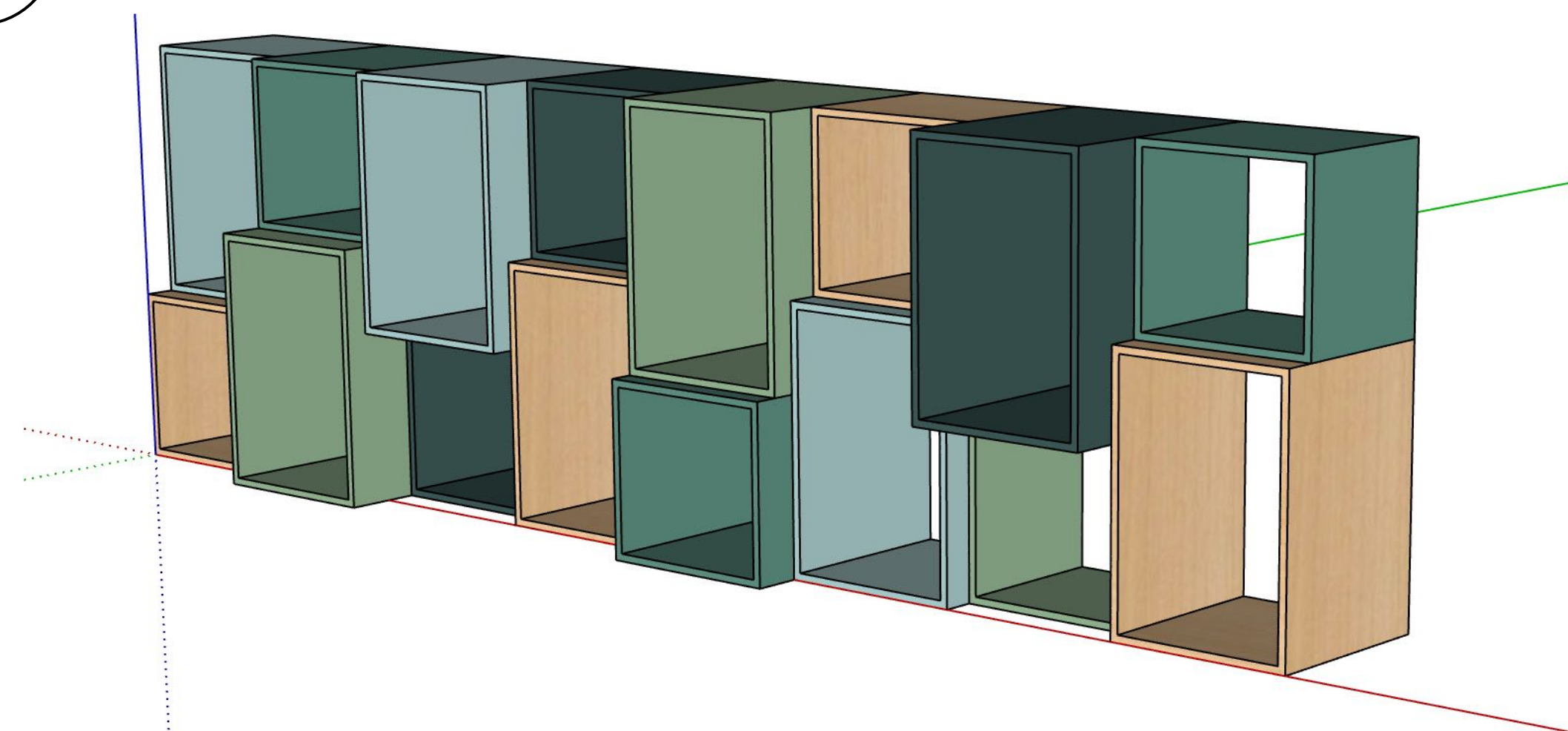
TOP ROW CUBBIES DEPTH



BOTTOM ROW CUBBIES DEPTH



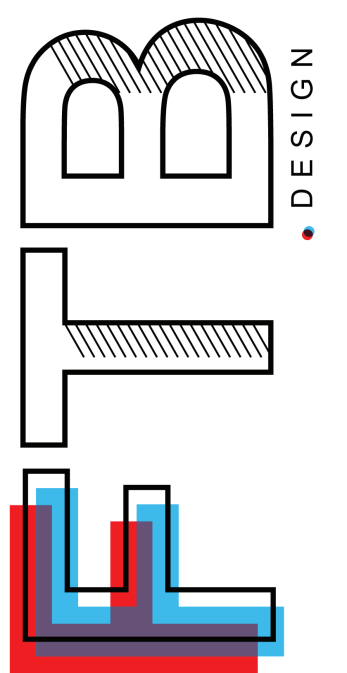
"X"
16
PASS-THROUGH CUBBIES ISO



MATERIALS KEY					
1	SUBWAY TILE RESTORE 3' X 6' CERAMIC BEVEL BRIGHT WHITE SUBWAY TILE - HOME DEPOT	7	SHAW CONTRACT SURFACE OSISV - PITCH - 15500	13	LIGHT BLUE PAINT BM-633-BRITANNY BLUE
2	FORMICA SOLID SURFACE 410 ARGENTO TERRAZZO MATRIX	8	SHAW CONTRACT SURFACE OSISV - QUARTZ - 15515	14	FUSION ION 10' WIDE MATTE BLACK LED MINI PENDENT -LAMPS PLUS
3	MOHAWK GROUP LVT LIVING LOCAL - CHROMASCOPE CO159 - 760 GRASS GREEN	9	ELEGANZA EMOTION WOOD MELE PORCELAIN TILE - MATTE	15	PERSUASION CINTRONELLA TPE - 01 VINYL FABRIC
4	MANNINGTON LVT AMTICO SIGNATURE - ABSTRACT ENCAUSTIC TOURMALINE AROAE89	10	LIGHT GREEN PAINT BM - 431-CENTRAL PARK	16	8240 LIQUID GLASS FORMICA LAMINATE
5	MANNINGTON LVT - AMTICO SIGNATURE - ABSTRACT ENCAUSTIC TOURMALINE AROAE89	11	MID GREEN PAINT BM-622-ALPINE TRAIL		
6	MOHAWK GROUP LVT LIVING LOCAL TERRAZZO CO180 - 736 STRABE	12	DARK GREEN PAINT BM- 623 - DEEP SEAL		

LOCATION:
COLORADO

JEFFREY TORAICHI EYSER | PRODUCTION DESIGNER
(323) 741-0016 . jeff@ftb.design



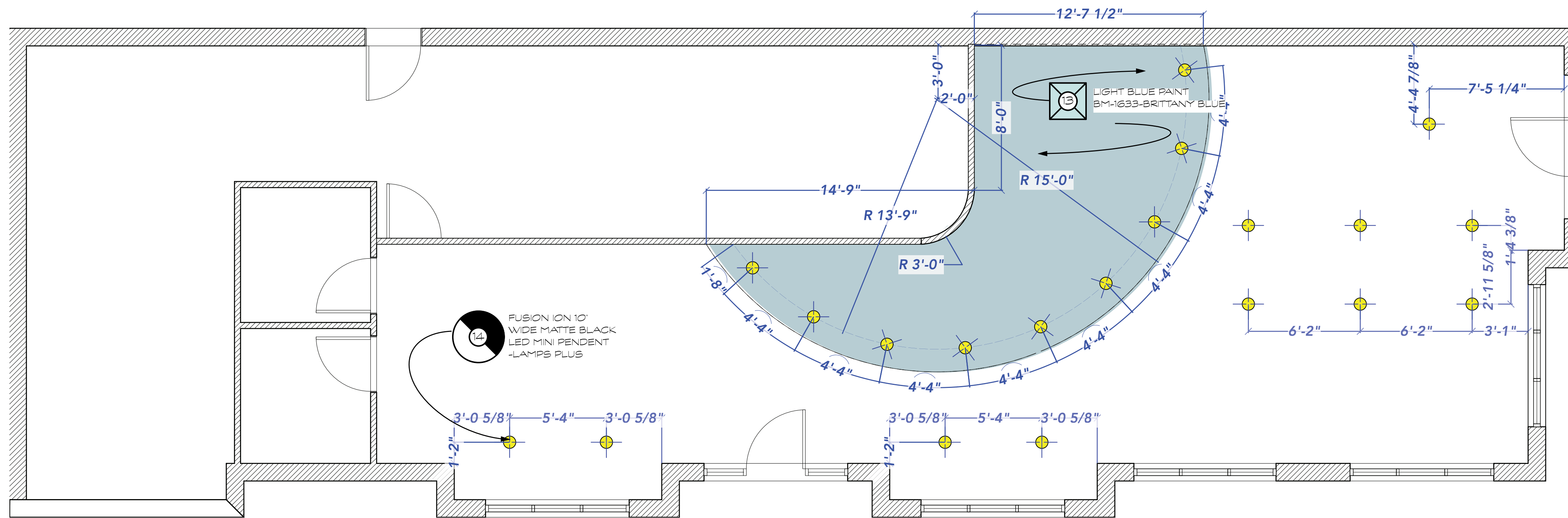
PASS - THROUGH CUBBIES

REVISED : 9/30/2022
SCALE 1.5" = 1' 0"

SEXY SAMMIES - REFLECTIVE CEILING PLAN

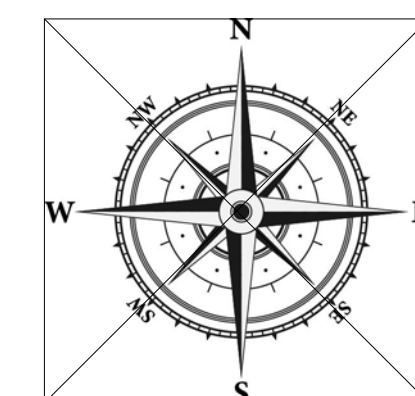


LOCATION:
COLORADO



MATERIALS KEY		
SUBWAY TILE RESTORE 3' X 6' CERAMIC BEVEL BRIGHT WHITE SUBWAY TILE - HOME DEPOT	SHAW CONTRACT SURFACE OS15V - PITCH - 15500	LIGHT BLUE PAINT BM-1633-BRITTANY BLUE
FORMICA SOLID SURFACE 410 ARGENTO TERRAZZO MATRIX	SHAW CONTRACT SURFACE OS15V - QUARTZ - 15515	FUSION ION 10' WIDE MATTE BLACK LED MINI PENDENT -LAMPS PLUS
MOHAWK GROUP LVT LIVING LOCAL - CHROMASCOPE CO159 - 760 GRASS GREEN	ELEGANZA EMOTION WOOD MIELE PORCELAIN TILE - MATTE	PERSUASION CINTRONELLA TPE - 011 VINYL FABRIC
MANNINGTON LVT ANTICO SIGNATURE - ABSTRACT ENCAUSTIC TOURMALINE AROAEN89	LIGHT GREEN PAINT BM - 431-CENTRAL PARK	8240 LIQUID GLASS FORMICA LAMINATE
MANNINGTON LVT - ANTICO SIGNATURE - ABSTRACT ENCAUSTIC TOURMALINE AROAEN89	MID GREEN PAINT BM-622-ALPINE TRAIL	
MOHAWK GROUP LVT LIVING LOCAL - TERRAZZO CO180 - 736 STRABE	DARK GREEN PAINT BM- 623 - DEEP SEAL	

SCALE KEY



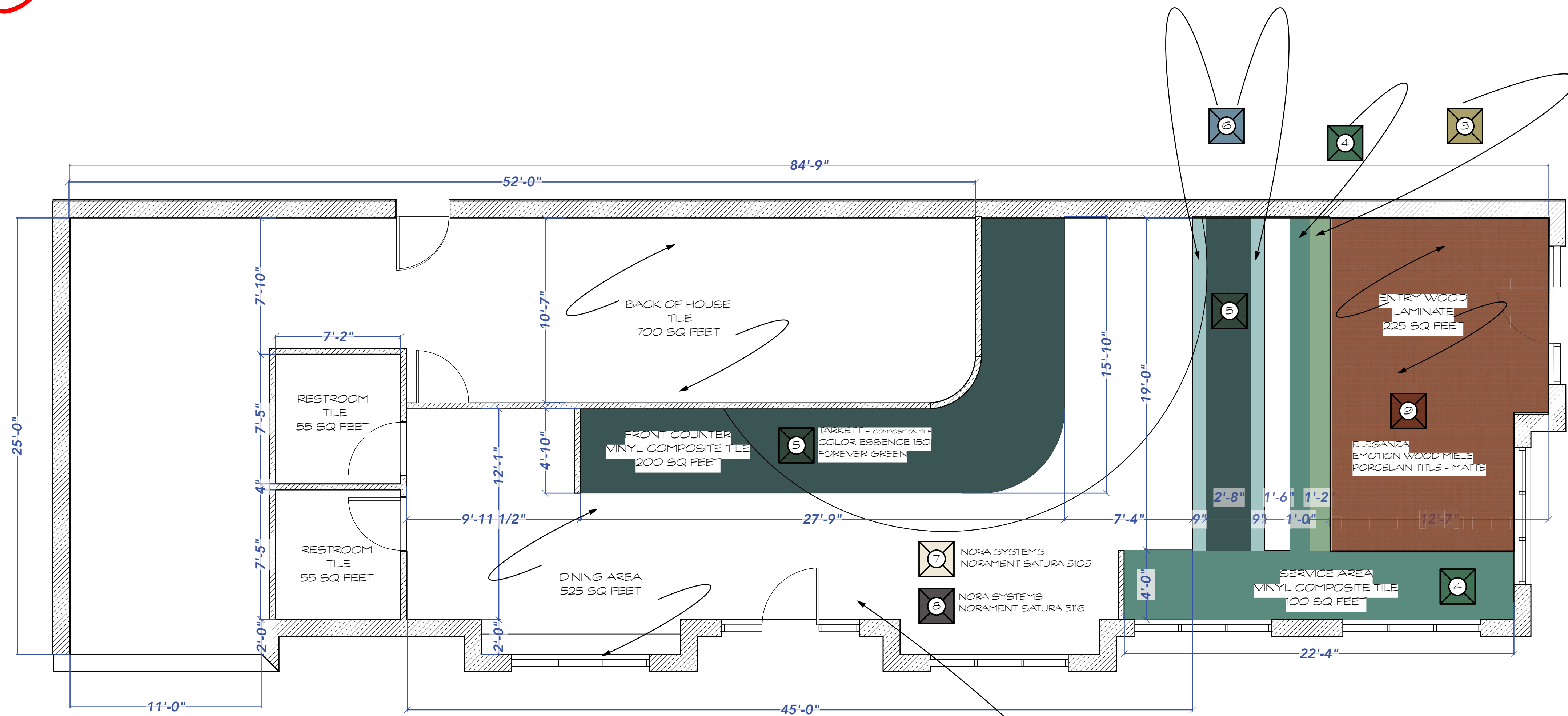
JEFFREY TORAICHI EYSER | PRODUCTION DESIGNER
 (323) 741-0016 - jeff@ftb.design
FTB DESIGN
REFLECTED CEILING PLAN

REVISED : 9/30/2022
SCALE 1/4" = 1' 0"

17

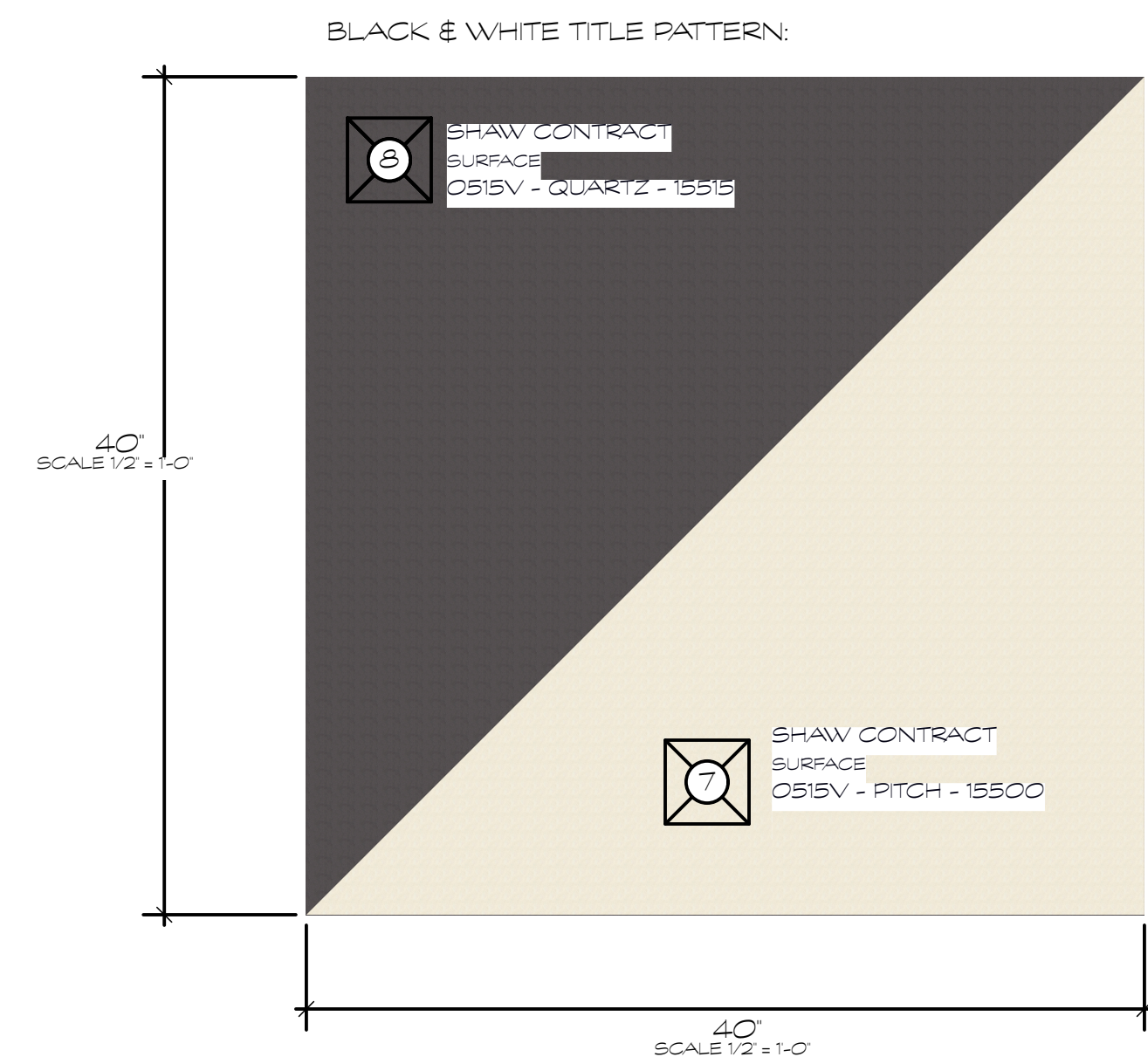
LOCATION:
COLORADO

REVISED
10/6/2022



MATERIALS KEY

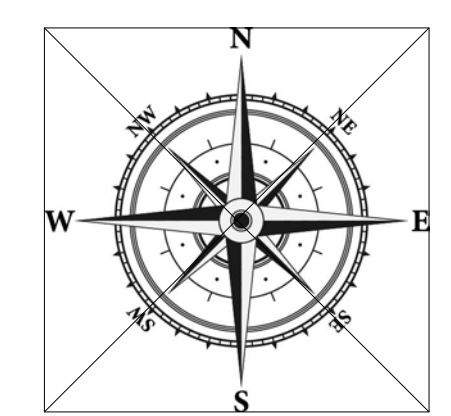
1 SUBWAY TILE RESTORE 3" X 6" CERAMIC BEVEL BRIGHT WHITE SUBWAY TILE - HOME DEPOT	7 SHAW CONTRACT SURFACE OS15V - PITCH - 15500	13 LIGHT BLUE PAINT BM-1633-BRITTANY BLUE
2 FORMICA SOLID SURFACE 410 ARGENTO TERRAZZO MATRIX	8 SHAW CONTRACT SURFACE OS15V - QUARTZ - 15515	14 FUSION ION 10" WIDE MATTE BLACK LED MINI PENDENT - LAMPS PLUS
3 MOHAWK GROUP LVT LIVING LOCAL - CHROMASCOPE CO189 - 760 GRASS GREEN	9 ELEGANZA EMOTION WOOD MIELE PORCELAIN TILE - MATTE	15 PERSUASION CINTRONELLA TPE - 011 VINYL FABRIC
4 MANNINGTON LVT AMTICO SIGNATURE - ABSTRACT ENCAUSTIC TOURMALINE AROAEN89	10 LIGHT GREEN PAINT BM-431-CENTRAL PARK	16 8240 LIQUID GLASS FORMICA LAMINATE
5 MANNINGTON LVT - AMTICO SIGNATURE - ABSTRACT ENCAUSTIC TOURMALINE AROAEN89	11 MID GREEN PAINT BM-622-ALPINE TRAIL	
6 MOHAWK GROUP LVT LIVING LOCAL TERRAZZO CO180 - 736 STRABE	12 DARK GREEN PAINT BM-623 - DEEP SEAL	



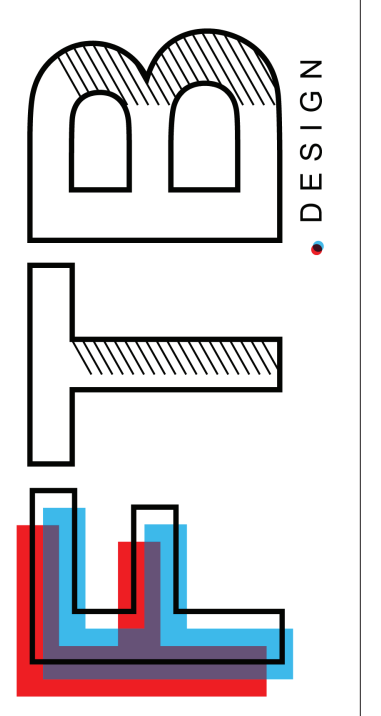
3D MODEL



SCALE KEY



JEFFREY TORAICHI EYSER | PRODUCTION DESIGNER
(323) 741-0016 - jeff@ftb.design



FLOORING MATERIALS PLAN

REVISED : 10/6/2022
SCALE 1/4" = 1' 0"