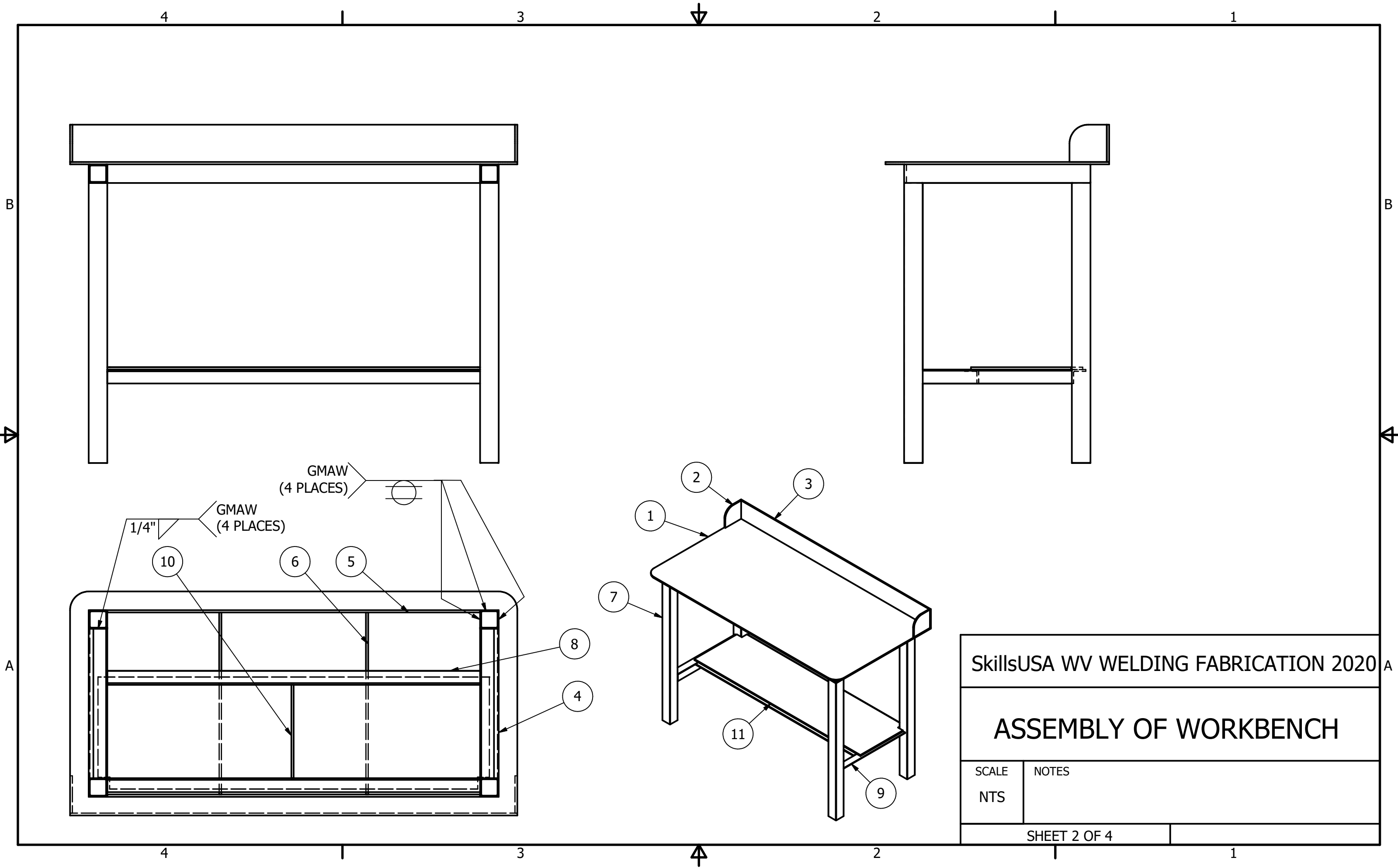


PARTS LIST			
ITEM	QTY	PART NUMBER	DESCRIPTION
1	1	WORKBENCH TOP	1/4" PLATE
2	2	GUSSET	1/4" PLATE
3	1	WORKBENCH BACK	1/4" PLATE
4	2	WORKBENCH FRAME	2"X2"X1/8"
5	2	WORKBENCH FRAME 2	1/4" PLATE
6	2	WORKBENCH FRAME 3	1/4" PLATE
7	4	WORKBENCH LEG	2"X2"X1/8"
8	2	SHELF FRAME	1 1/2" X 1 1/2" X 3/16" ANGLE
9	2	SHELF FRAME 2	1 1/2" X 1 1/2" X 3/16" ANGLE
10	1	SHELF FRAME 3	1/4"PLATE
11	1	SHELF	1/4" PLATE

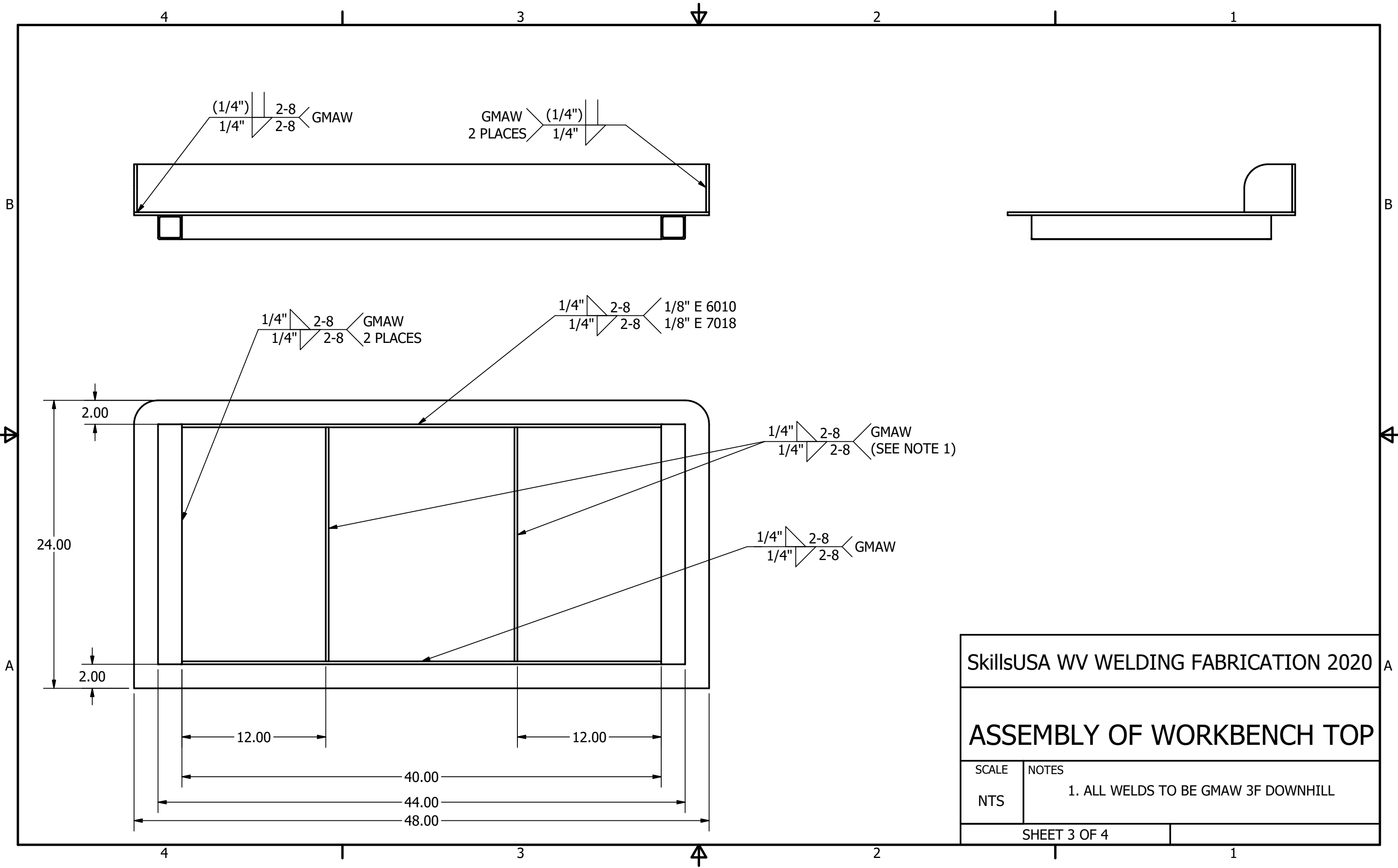
SkillsUSA WV WELDING FABRICATION 2020

PARTS DRAWINGS

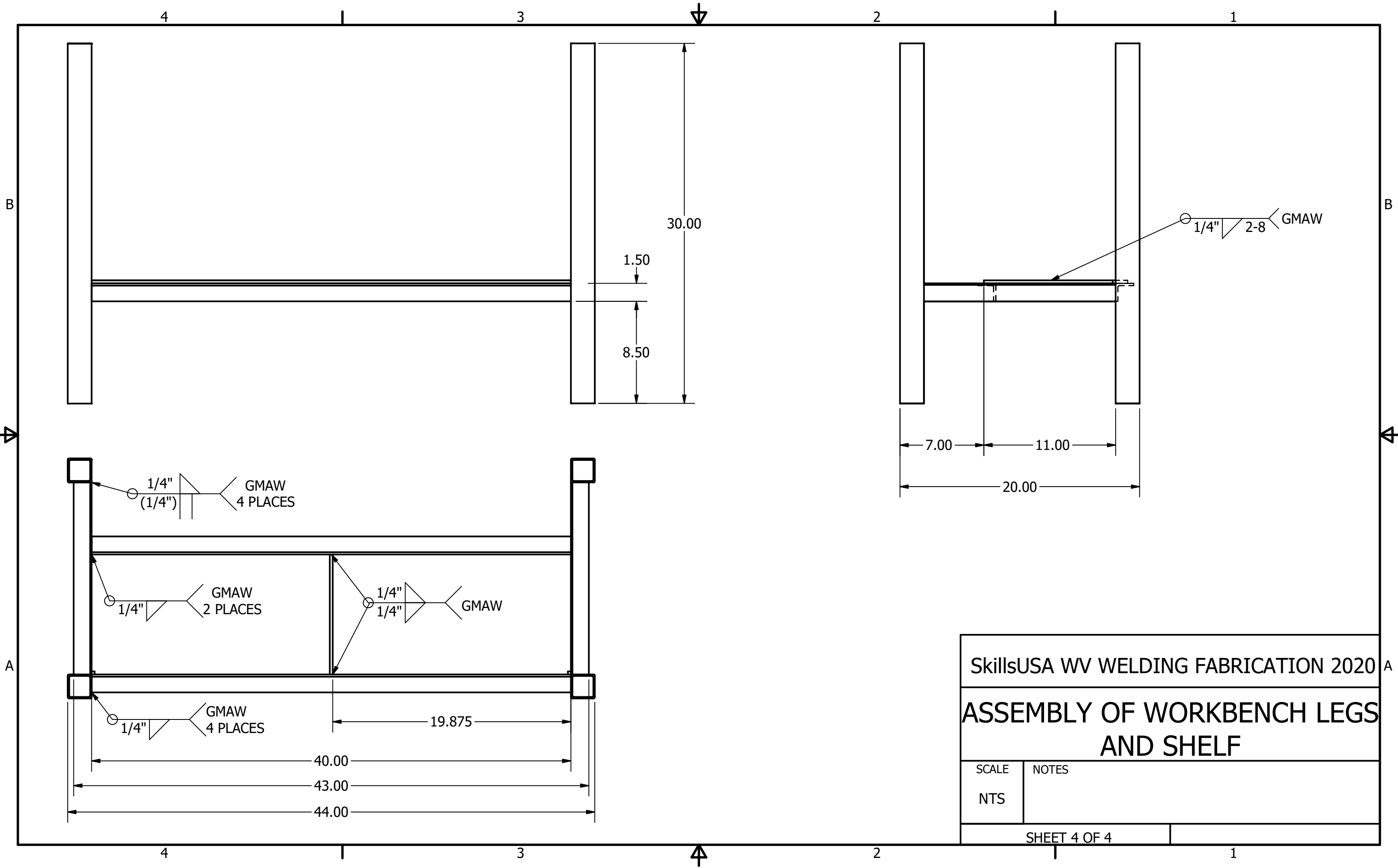
SCALE NTS	NOTES
	1. USE OFC PROCESS 2. MATERIAL THICKNESS 1/4" UNLESS OTHERWISE NOTED



SkillsUSA WV WELDING FABRICATION 2020	
ASSEMBLY OF WORKBENCH	
SCALE	NOTES
NTS	
SHEET 2 OF 4	



SkillsUSA WV WELDING FABRICATION 2020	
ASSEMBLY OF WORKBENCH TOP	
SCALE	NOTES
NTS	1. ALL WELDS TO BE GMAW 3F DOWNHILL
SHEET 3 OF 4	



SkillsUSA WV WELDING FABRICATION 2020	
ASSEMBLY OF WORKBENCH LEGS AND SHELF	
SCALE	NOTES
NTS	
SHEET 4 OF 4	