

Advanced Lighting High Bay ALHBT5

Features

The Advanced Lighting High-Bay is an all-new, high efficiency T5 luminaire housing for cost-effective lighting of low-bay and high-bay warehouses, manufacturing plants, sports facilities and retail spaces.

- Instant on / restrike
- Exceptional CRI and no color shift
- High system Efficiency
- 93% lumen maintenance and extended lamp life
- Improved uniform illumination
- Assembled in the USA



Specifications

- Housing: Die formed heavy-gauge cold rolled steel
- Ballast Access: Ballasts are accessible by removal of socket-plate screws. Reflector swings out on hinged ends
- Pre-painted white housing with precision-formed beveled MIRO4 or white aluminum reflector achieves maximum light output
- Mounting: Designed for surface, pendant stem or chain hanging
- Wireguard (optional): Combination 6 and 9 ga. wire with white powder coat finish. Attaches with clips for easy lamp access
- Lense Door (optional): Specify lense type
- Housing ballast chamber vented for extended ballast life

Electrical Components

- Roto-Lock lampholders
- Ballasts are UL listed Class P Thermally Protected Type 1 Outdoor Class A Sound Rated
- Quick disconnect
- Suitable for damp locations
- Lamps and ballasts warranted through their respective manufacturer
- UL listed to US and Canadian safety standards

Ordering Options Example: ALHBT5-446-PN-L5450-WH

Fixture	Lamps Qty	Ballast Type <small>(120v-277v or Custom)</small>	Lamp				Reflector		
			Wattage	Color					
ALHBT5	1'x4' 2L	246	Programmed Start HT, Normal BF	PN	54W	L54	5000K	50	SP (Specular 95%)
	1'x4' 4L	446	Custom	CU	50W	L50	4100K	41	WH (White Alum)
	2'x4' 5L	546			Custom	CU	3500K	35	
	2'x4' 6L	646							
	2'x4' 8L	846							

Options

Wireguard	WG
Lense Door	LD
Sensor	S
Cable Hangers	CH
6' 18/3 Cord	6C



(801) 972-9530
 advanced@advlight.com
 www.advlight.com

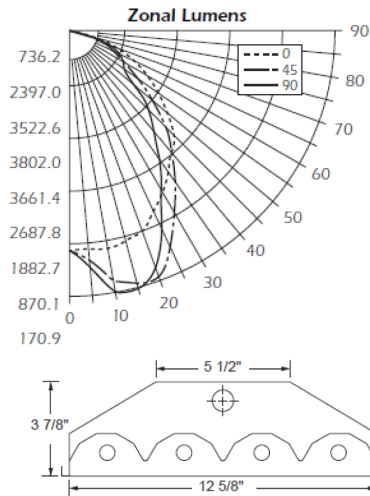
Advanced Lighting High Bay ALHBT5

Energy Data	Mean Lumens*	Energy Savings
HE PSN ballasts with 4-54W lamps 277V=226W	17,484	50%
HE PSN ballasts with 4-50W lamps 277V=209W	17,766	54%
HE PSN ballasts with 6-54W lamps 277V=342W	26,226	25%
HE PSN ballasts with 6-50W lamps 277V-318W	26,747	30%
M/400/U 1 magnetic ballast 277V=452W	17,784	Baseline

*Fixture efficiency rated: 76% for HID 93% for High Bay

Photometrics

ALHBT5-446, Building Acoustic and Lighting Laboratories Report No. 11529.0, 4- F54/T5 Lamps



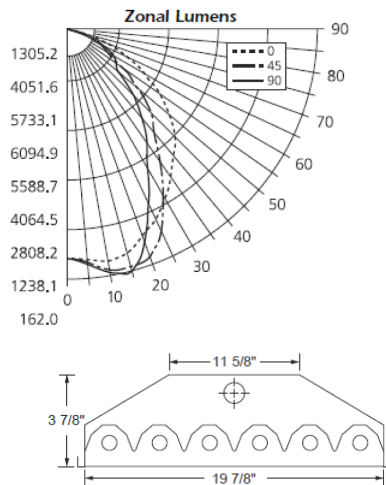
Zonal Cavity Coefficients of Utilization

Pcc Pw	80				70				50		
	70	50	30	10	70	50	30	10	50	30	10
0	1.17	1.17	1.17	1.17	1.15	1.15	1.15	1.15	1.10	1.10	1.10
1	1.09	1.05	1.02	99	1.07	1.03	1.00	97	99	96	94
2	1.01	94	88	83	99	92	87	82	89	84	81
3	93	84	77	72	91	83	76	71	80	75	70
4	86	76	68	62	84	74	67	62	66	60	55
5	79	68	60	54	77	67	59	53	59	52	47
6	73	61	53	47	71	60	52	47	58	52	46
7	68	55	47	41	66	54	47	41	53	46	41
8	62	50	42	36	61	49	41	36	48	41	36
9	58	45	37	32	56	44	37	31	43	36	31
10	53	41	33	28	52	40	33	28	39	32	28

Zonal Lumen Summary

Zone	Lumens	% Lamp	%Fixture
0-30°	6656	33.3	33.7
0-40°	10458	52.3	53
0-60°	16807	84.0	85.2
0-90°	19731	98.7	100.0

ALHBT5-646, Building Acoustic and Lighting Laboratories Report No. 11679.0, 6-F54/T5 Lamps



Zonal Cavity Coefficients of Utilization

Pcc Pw	80				70				50		
	70	50	30	10	70	50	30	10	50	30	10
0	1.23	1.23	1.23	1.23	1.20	1.20	1.20	1.20	1.15	1.15	1.15
1	1.15	1.11	1.07	1.04	1.01	97	94	91	104	102	99
2	106	99	94	89	104	98	92	88	94	90	86
3	99	89	82	77	96	88	81	76	85	79	75
4	91	80	73	67	89	79	72	66	77	70	65
5	84	72	64	58	82	71	63	57	69	62	57
6	78	65	57	51	76	64	56	51	63	56	50
7	72	59	51	45	70	58	50	45	57	50	45
8	67	53	45	40	65	53	45	39	51	44	39
9	61	48	40	35	60	48	40	35	46	39	34
10	57	44	36	31	56	43	36	31	42	35	31

Zonal Lumen Summary

Zone	Lumens	% Lamp	%Fixture
0-30°	11090	27.0	35.7
0-40°	17185	57.3	55.4
0-60°	26838	89.5	86.4
0-90°	31046	103.5	100.0