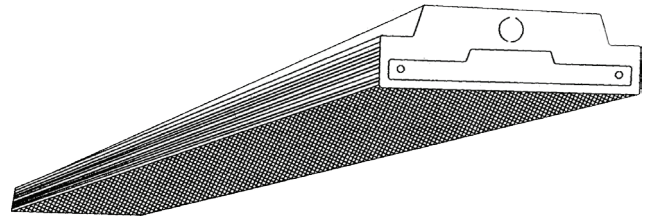


# Wrap Around Fixture

AWF

## Features

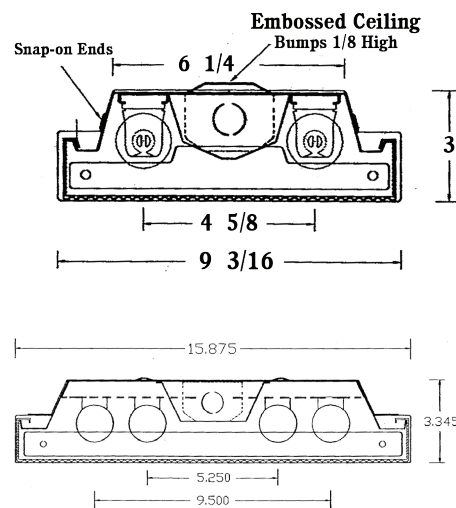
- Shallow depth provides low profile appeal
- Surface or suspended mounting as single or continuous row
- Lens hangs from either side
- Tool free ballast access
- Housing is die formed 22 ga. baked white enamel with embossed ceiling bumps
- Assembled in the USA



## Electrical Components

- All ballasts and lamp holders are UL and CSA listed
- Ballasts are Class P Thermally Protected, Type 1 Outdoor, Class A Sound Rated
- Quick Disconnect
- Lamps and ballasts warranted through their respective manufacturer
- UL listed to US and Canadian safety standards

## Dimensions



## Ordering Options

Example: AWF42T8-IL-L3035

Kit	Dimensions/Watts	Ballast Type (120v-277v or Custom)	Lamps			
			Wattage	Color		
AWF	1' x 4' 2 Lamp T8	42T8	IS, High-Efficiency, Low BF (.78)	IL 32W	L32 5000K	50
	1' x 2' 2 Lamp T8	22T8	IS, High-Efficiency, Normal BF (.88)	IN 30W	L30 4100K	41
	2' x 4' 4 Lamp T8	44T8	IS, High-Efficiency, High BF (1.2)	IH 28W	L28 3500K	35
	2' x 4' 3 Lamp T8	43T8	Programmed Start, Low BF (.71)	PL 17W	L17	
		Programmed Start, Normal BF (.88)	PN Custom	CU		
		Programmed Start, High BF (1.2)	PH			
		Custom	CU			