

Alpha-Neo App & Link Box

ALPHA^{NEO}

App integration
made easy



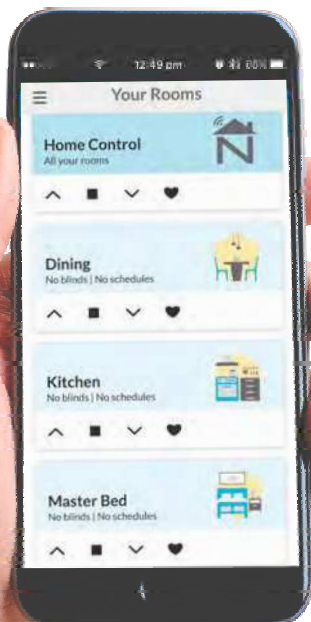
Control4

SAVANT



This app is extremely versatile and easy to set up. It controls motorised products individually, or by area, or the whole house at once from anywhere in the world with an internet connection. All functionality can be scheduled to operate automatically.

Simply purchase the link box and download the free app for either Android or Apple. This app is compatible with all Alpha remote control motors. There is no limit to the number of control devices you can connect. There are 30 control groups (rooms) available and you can add up to 8 blinds per group. Additionally, you can setup up to 40 schedules to automate functionality.



Specifications

Type	
Nominal Voltage (V)	5
Nominal Current (A)	1
Frequency MHz	433.92
Code Type	Rolling
Power Requirements	5V DC
Number of Channels	Max 240
Total Length (mm)	75
Total Width (mm)	60
Total Height (mm)	25

Remote Controls

Pioneer series



Introducing the new range of Pioneer series remote controls, with a new sleeker look and wall holder design. The other big change is the addition of a battery cover, so there is no more need to unscrew the back to change the battery. Available in single or 4 channel versions without a screen, or 4, 8 or 16 channel versions with a screen, as well as a 4 channel option with timer. Incorporating soft silicone rubber edges and buttons, this is a great remote for use with external products where being a bit more bounce proof is an advantage. All Alpha remotes and receivers are inter-compatible.



RE101

Specifications



Codes	Rolling
Wall Mount	Yes



RE102

Specifications



Codes	Rolling
Wall Mount	Yes

With the 4, 8 & 16 channel remotes you can control 4, 8 or 16 different



RE103



can set up 8 different open/close times and also select days of the week.



Frequency (MHz)	433.92
Codes	Rolling
Wall Mount	Yes

Keyring Remote



RE110

Specifications

Channels	1
Frequency (MHz)	433.92
Codes	Rolling

Remote Controls

Navigator series



The Navigator series has an elegant and simple design featuring stainless steel edge trim and a near invisible magnetic wall mount. The stainless finish is much more than simply a trim on the edge. It's actually a solid steel chassis to which the front and back panels are attached. This gives the remote a great deal of structural strength, but additionally adds a significant feel of weight and quality in the hand that customers often notice. Available in single and 5 channel without screens, and 4, 8 and 16 channel with screens as well as single and 4 channel options with timers.



RE301

\$79ea

Specifications

Channels	1
Frequency (MHz)	433.92
Codes	Rolling
Magnetic Wall Mount	Yes



RE302

\$79ea

Specifications

Channels	5
Frequency (MHz)	433.92
Codes	Rolling
Magnetic Wall Mount	Yes



RE303

From \$99

Specifications

Channels	4, 8, 16 1T, 4T
Frequency (MHz)	433.92
Codes	Rolling
Magnetic Wall Mount	Yes

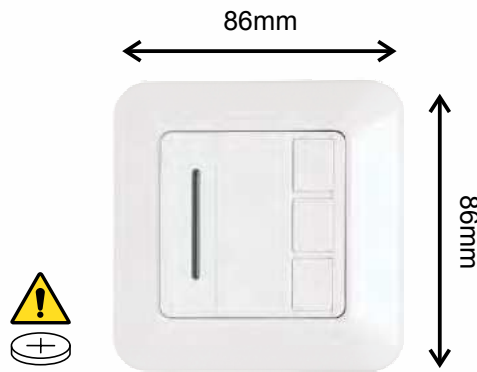
With the 4, 8 & 16 channel remotes you can control 4, 8 or 16 different motors or receivers separately or any group among them.

The 1T & 4T are single and 4 channel variants, either of which can set up 8 different open/close times and also select days of the week.

Wall Mount Controls



RE201

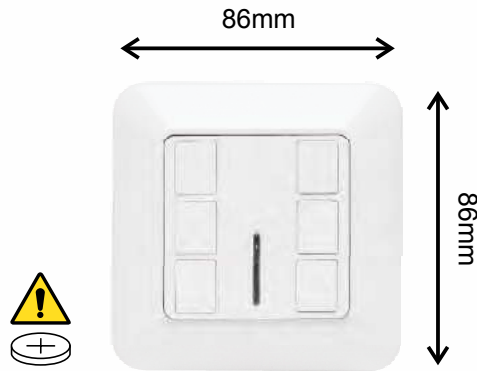


\$79ea

Specifications

Channels	1
Frequency (MHz)	433.92
Codes	Rolling
Wall Mount	Yes

RE202

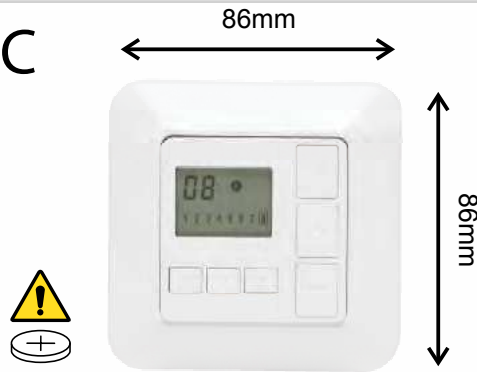


\$79ea

Specifications

Channels	2
Frequency (MHz)	433.92
Codes	Rolling
Wall Mount	Yes

RE203-8C

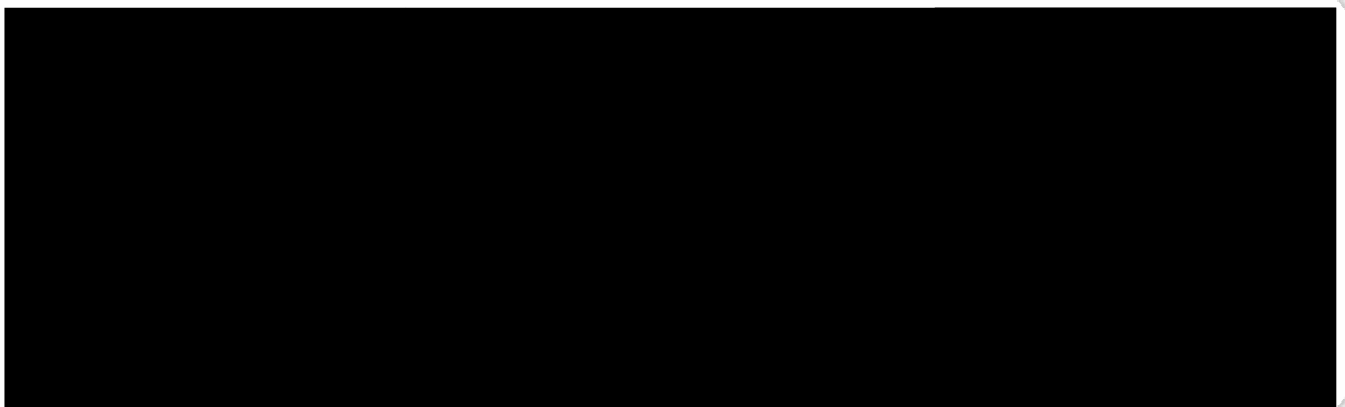


\$99ea

Specifications

Channels	8
Frequency (MHz)	433.92
Codes	Rolling
Wall Mount	Yes

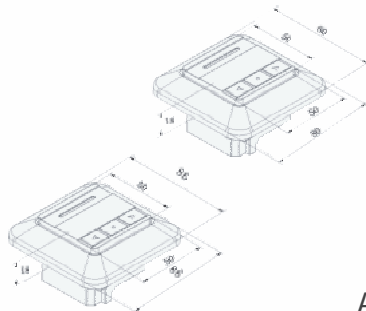
Hard Wired Wall Switch



Receivers



RC201



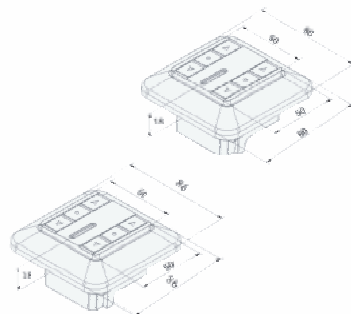
Specifications

\$79ea

Connect with motor	up to 3 units
Frequency (MHz)	433.92
Codes	Rolling
Receiver Power	400W
Voltage	230V 50Hz

Able to operate with a maximum of 15 remotes

RC202



Specifications

\$79ea

Connect with motor	2 units
Frequency (MHz)	433.92
Codes	Rolling
Receiver Power	600W
Voltage	230V 50Hz

Able to operate with a maximum of 15 remotes

RC001



Receiver for 60mm motors. Control buttons on side for up, down and stop.

Specifications

Connect with motor	1 unit
Frequency (MHz)	433.92
Codes	Rolling
Receiver Power	800W
Voltage	230V 50Hz

Able to operate with a maximum of 15 remotes

RC006

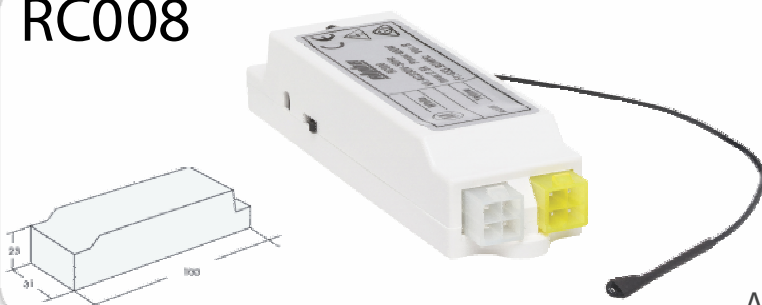


Specifications

Connect with motor	1 unit
Frequency (MHz)	433.92
Codes	Rolling
Receiver Power	400W
Voltage	230V 50Hz

Able to operate with a maximum of 15 remotes

RC008



Specifications

Connect with motor	1 unit
Frequency (MHz)	433.92
Codes	Rolling
Receiver Power	400W
Voltage	230V 50Hz

Able to operate with a maximum of 15 remotes

Sun and Wind Sensors

wired & wireless

These devices cannot be used in conjunction with Motion Sensors

- Programmable with 5 wind speed and 9 light intensity settings
- Usable as sun and wind sensor where wind overrides sun
- Sun sensor can be disabled if required
- For use with WSER Series motors

RS001

Specifications

Frequency (MHz)	433.92
Codes	Rolling
Protection Index	IP44
Display	LED
Power	Solar Panel & Rechargeable Battery

RS002

Specifications

Frequency (MHz)	433.92
Codes	Rolling
Protection Index	IP44
Display	LED
Power	5V DC Power Supply (supplied)



Dimension Drawing

Installation Drawing

