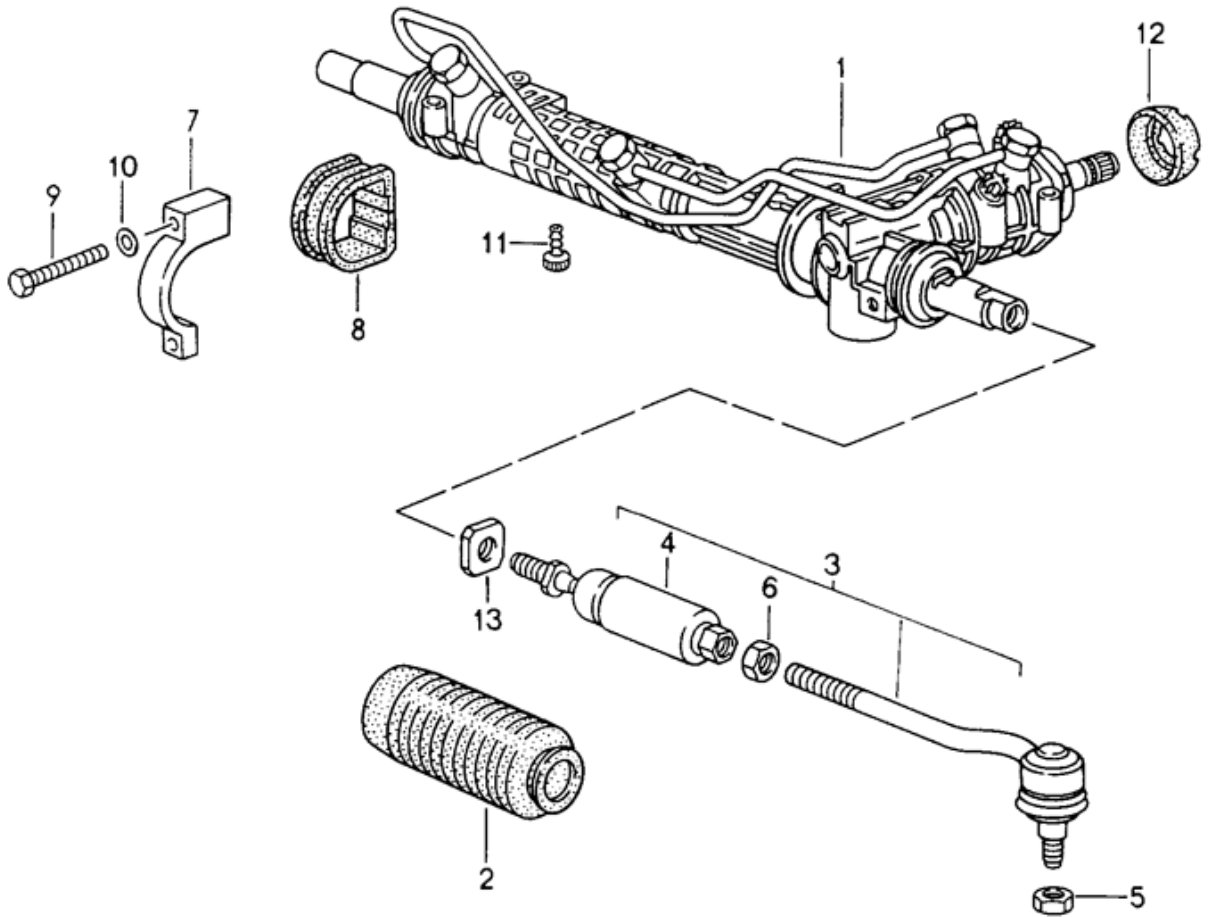


## STEERING RACK BUSHING REPLACEMENT DIY



- 1- Remove front underside cover
- 2- Remove four bolts and washers (#9,#10) to the power steering rack brackets (#7)
- 3- Remove brackets (#7)

- 4- Remove old bushings (#8) They are split on the backside**
- 5- Install new bushings (#8)**
- 6- Reinstall bracket (#7)**
- 7- Reinstall four bolts and washers (#9,#10)**
- 8- Tighten bolts evenly, bringing brackets up to the sub-frame**
  - a. If installing new steering rack brace, use new bolts and washers included w/ new brace**
  - b. Torque Specs: 45 nm / 33 lb ft**
- 9- Reinstall front underside cover**