

## Gauge/Absolute Pressure Transmitter

### PROEX 5000PT

#### ■ DESCRIPTION

PROEX 5000PT series is a digital pressure transmitter designed for industrial pressure measurement applications.

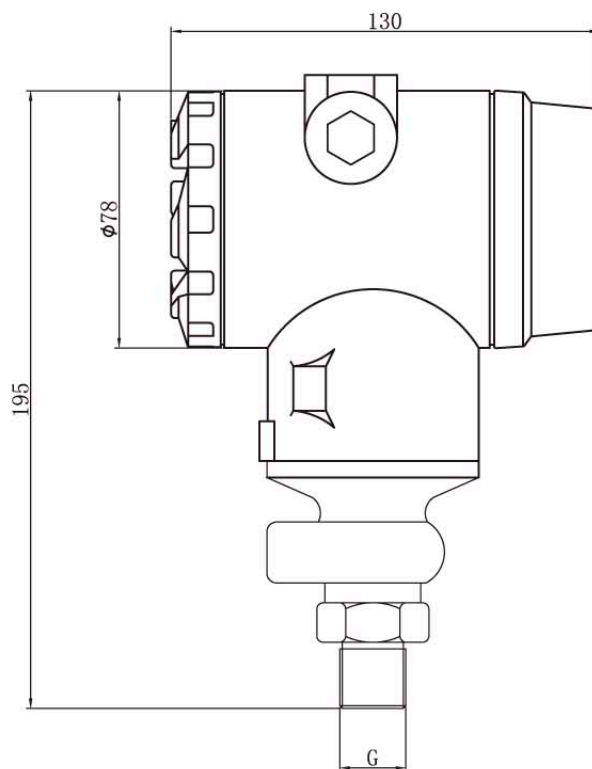
The PROEX 5000PT offer configurations for gauge pressure, absolute pressure and vacuum including integrated solutions for industrial applications.

#### ■ FEATURES

- Updating time of output current in 90 ms
- Improved performance, increased accuracy and greater stability
- Two years stability of 0.2%
- 0.1% accuracy
- Parameter setting by keypad directly
- 4-20 mA output plus direct digital HART communication
- Automatic zero calibration by press-button
- Explosion proof and weather proof housing



#### ■ DIMENSIONS



## Gauge/Absolute Pressure Transmitter

### ■ MODEL SELECTION

Item	Code	Specification
PROEX 5000PTG		Gauge Pressure Transmitter
PROEX 5000PTA		Absolute Pressure Transmitter
Measurement Range	3	0~7.5 Kpa
	4	0~37.4 Kpa
	5	0~186.8 Kpa
	6	0~690 Kpa
	7	0~2068 Kpa
	8	0~6890 Kpa
	9	0~20680 Kpa
	0	Customized
Output	S	4-20mA, HART Protocol, Linear Output
Diaphragm Material	2	Stainless Steel 316L
	3	Hastelloy C
	4	Tantalum
Fill Fluid	2	Silicone Oil
	3	Fluorine Oil
Process Connection	D	1/2" NPT F
	A	M20*1.5
	B	1/2" NPT M
	C	G 1/2"
	M	Customized
Cable Entry	1	M20*1.5
	2	1/2" NPT
Mounting Bracket	B00	None
	B58	Mounting Bracket
Optional	d	Intrinsically Safe Type, Flameproof (Exd IIC T6 Gb)
	i	Intrinsically Safe (Exia IIC T6 Ga)
	M3	LCD Display
	K1	Degreasing Treatment