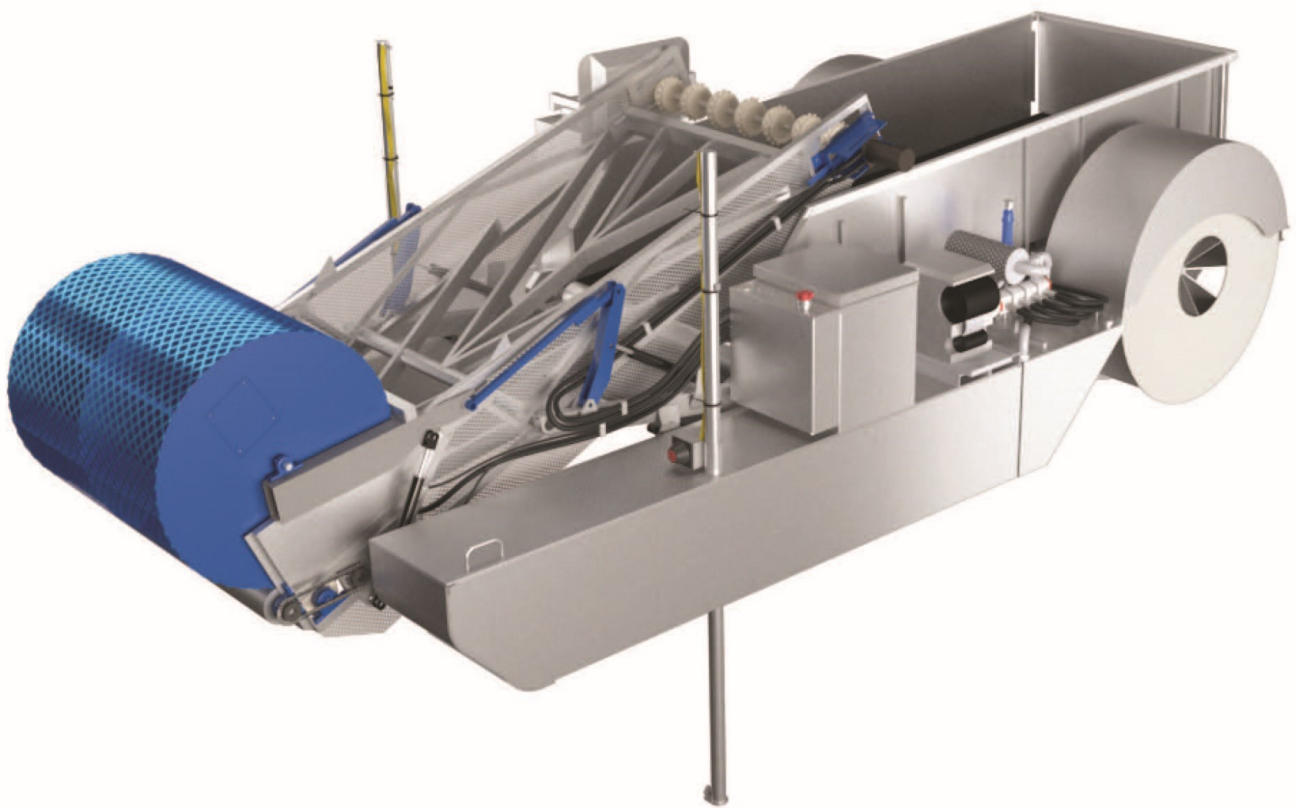


# SILVER MIST

AQUATICS SERVICES



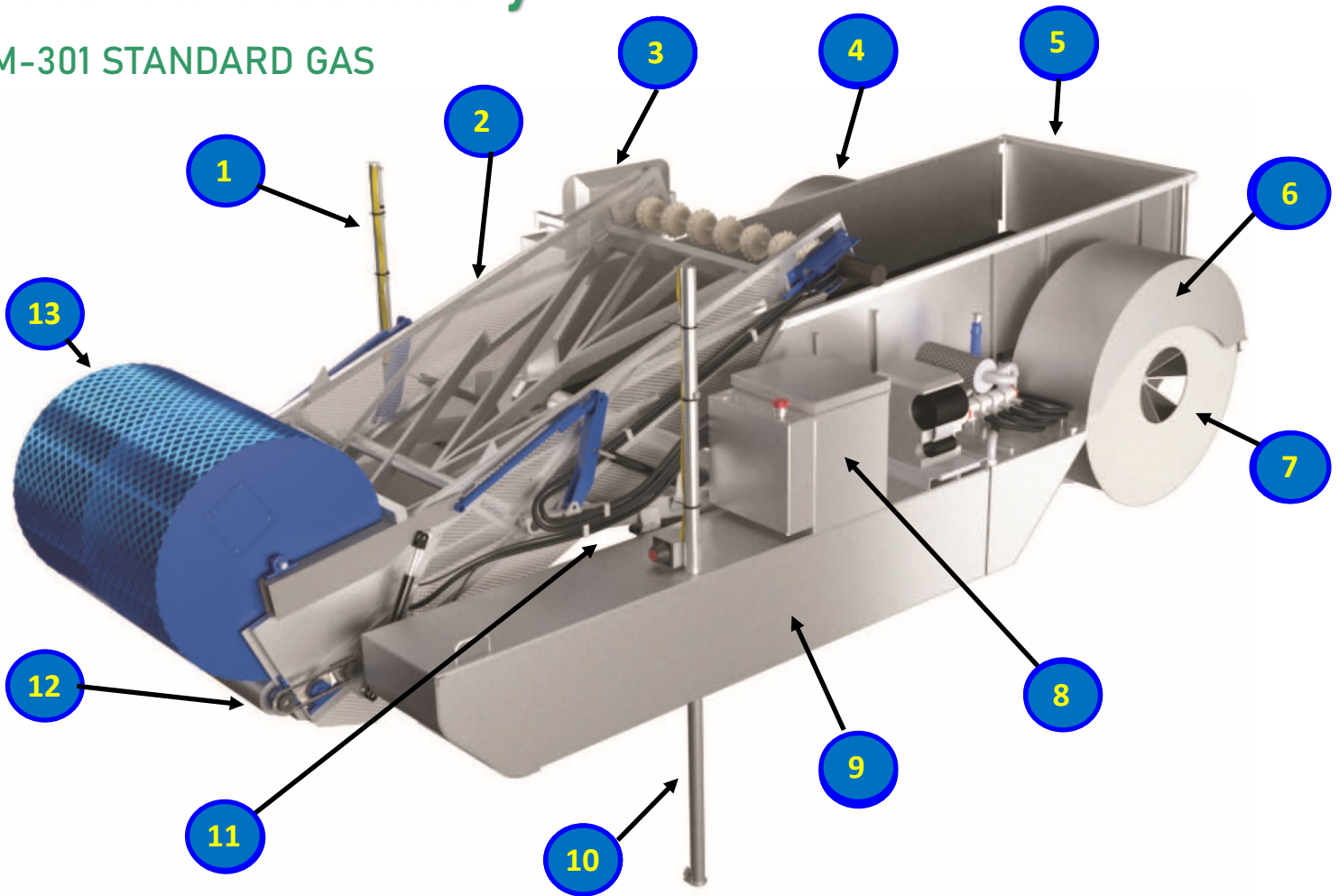
## ECO-HARVESTER

Replacement Parts Manual

SM-301 STANDARD GAS

# Over-All Assembly

SM-301 STANDARD GAS

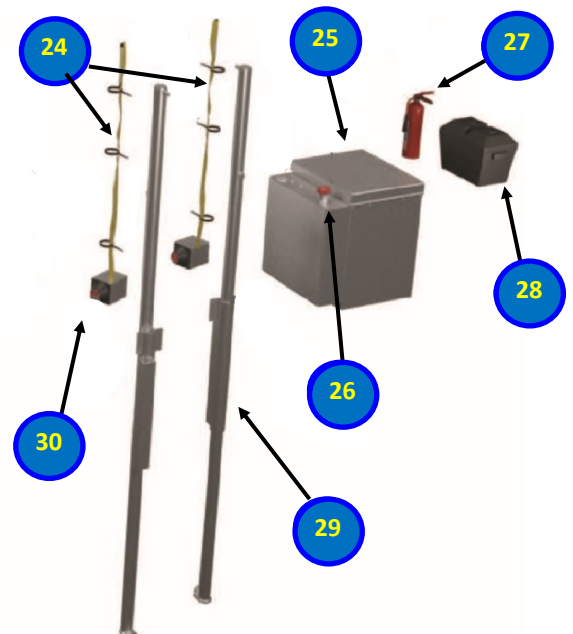
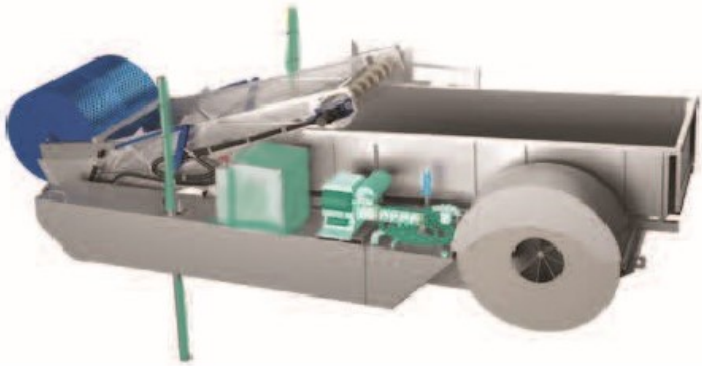


No.	Qty.	Description	Detail
1	2	DOWN RIGGER (D.S.)	ENGINE SIDE / DRIVER'S SIDE
2	1	CONVEYOR	INTAKE ASSEMBLY
3	1	OPERATOR'S CONSOLE	DRIVER'S SIDE
4	2	PADDLE WHEEL (D.S.)	ENGINE SIDE / DRIVER'S SIDE
5	1	BUNK	
6	2	P.W. FENDER (E.S.)	ENGINE SIDE / DRIVER'S SIDE
7	2	PADDLE WHEEL (E.S.)	ENGINE SIDE / DRIVER'S SIDE
8	1	FUEL / TOOL - BOX	ENGINE SIDE
9	2	PONTOON (E.S.)	ENGINE SIDE / DRIVER'S SIDE
10	2	DOWN RIGGER (E.S.)	ENGINE SIDE / DRIVER'S SIDE
11	1	HULL	
12	1	RUBBER PINCH ROLLER	BLUE WHEEL (B.W.)
13	1	INTAKE WHEEL	BLUE WHEEL (B.W.)

# Engine / Pump

FOR ENGINE SERVICE PLEASE CALL:

(800) 242-2289 EXT 275

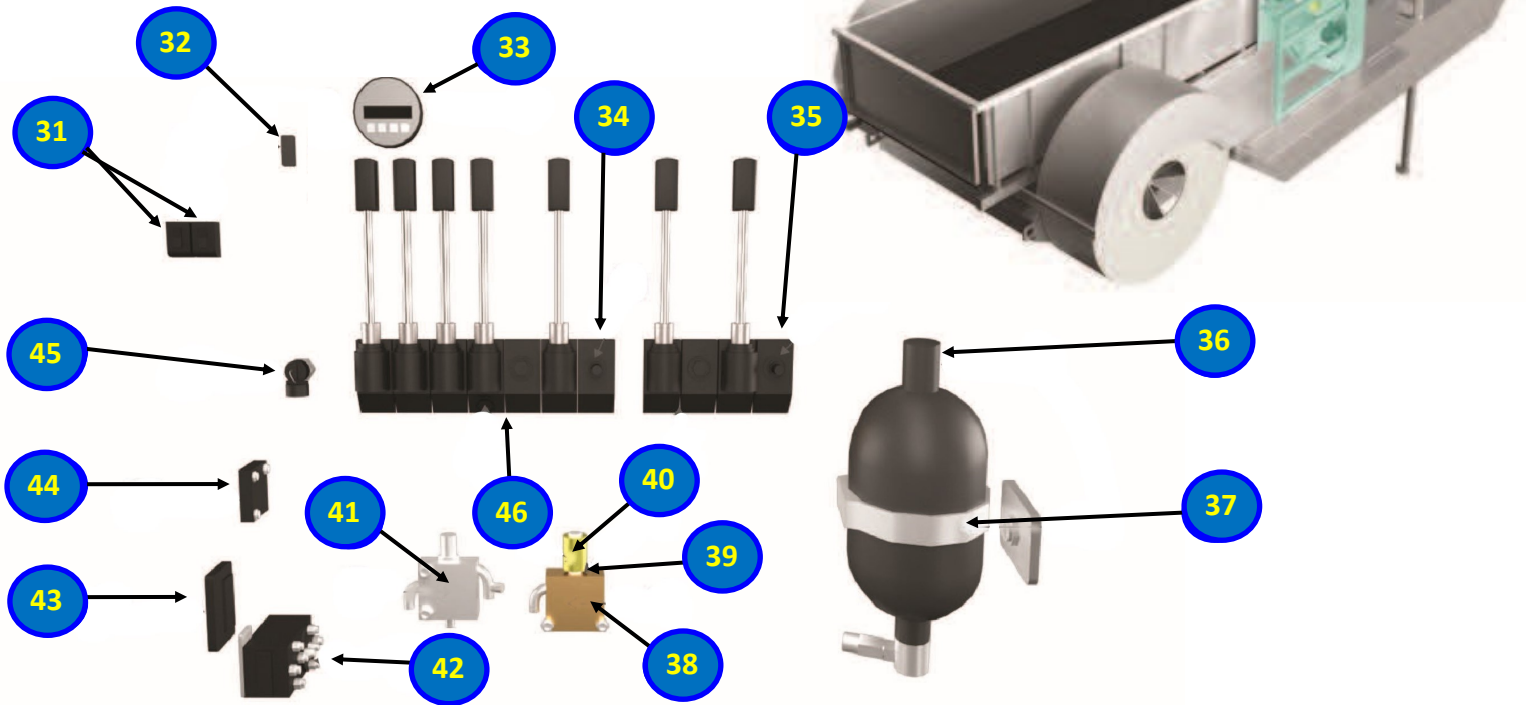


No.	Qty.	Description	Detail
14	1	MUFFLER ASSEMBLY	
15	1	HYDRAULIC OIL BREATHER CAP	
16	1	HYDRAULIC TANK BREATHER	
17	1	HYDRAULIC OIL FILTER	
18	1	HYDRAULIC OIL TANK CAP	
19	4	5/8" HOSE 10G-10FJX to 10G-10FJX (170")	PUMP TO LEVER VALVE ASSEMBLY
20	1	1" RETURN HOSE 16G-16FJX to 16G-16MPX (117")	16RLA HOSE
21	1	ENGINE TO PUMP ADAPTER	
22	1	PUMP ASSEMBLY	
23	1	GAS ENGINE ASSEMBLY	IGX800
24	2	WINCH STRAP	(2) TOP (2) BOTTOM
25	1	FUEL SENDING UNIT	
26	1	GAS-CAP	
27	1	FIRE EXTINGUISHER	
28	1	BATTERY BOX	
29	2	DOWN RIGGERS	
30	2	WINCH MOTOR	E.S. / D.S.



# Operator's Console

## Replacement Parts

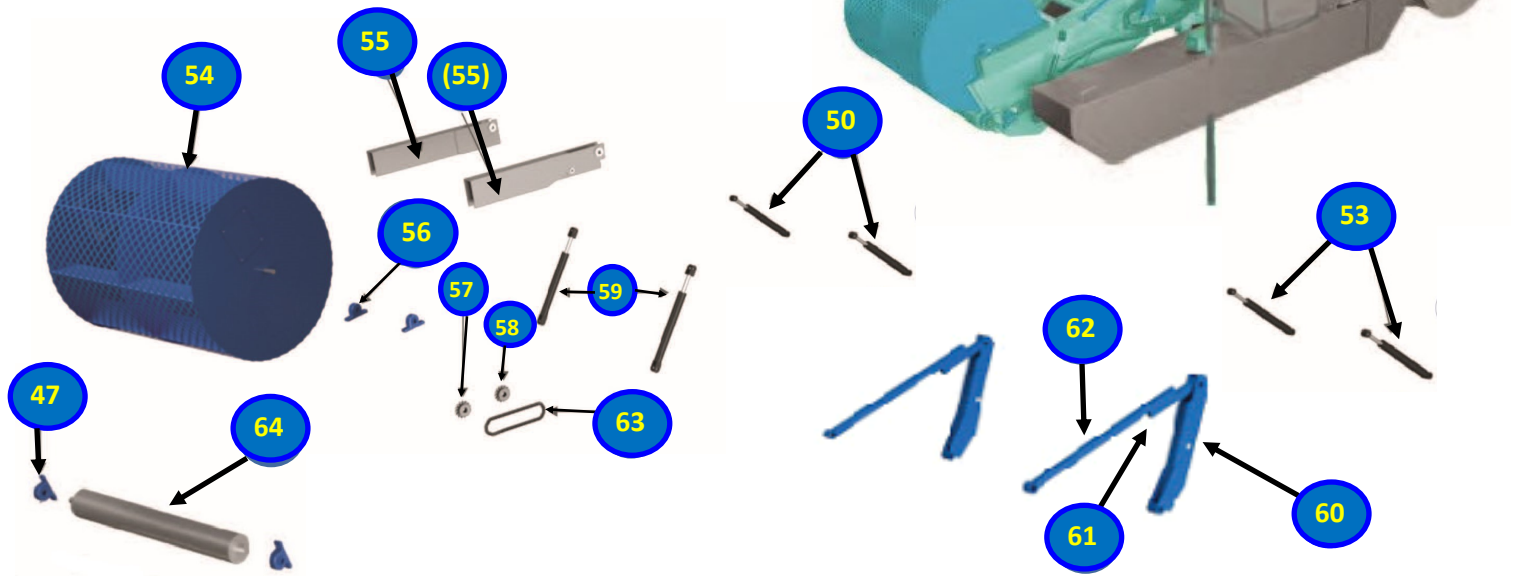


No.	Qty.	Description	Detail
31	2	WINCH SWITCH	
32	1	THROTTLE CONTROL SWITCH	
33	1	ENGINE CONTROL PANEL	
34	4	PRESSURE RELIEF VALVE	
35	1	PADDLE WHEEL LEVER VALVE ASSEMBLY	
36	1	ACCUMALATOR	
37	1	ACCUMALATOR BRACKET	
38	1	PROXIMITY VALVE BODY	
39	1	PROXIMITY VALVE	
40	1	PROXIMITY VALVE SOLENOID	
41	1	LIFT RAM ANTI - FADE VALVE ASSEMBLY	
42	2	WINCH SOLENOID	
43	1	FUSE BLOCK	
44	1	PROXIMITY SWITCH RELAY	
45	1	IGNITION SWITCH	
46	1	AUXILLARY LEVER VALVE ASSEMBLY	

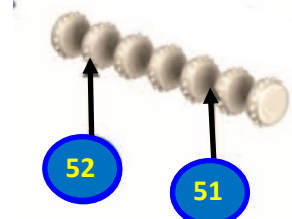
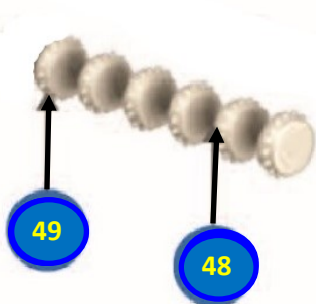


# Intake Assembly

## Replacement Parts



No.	Qty.	Description	Detail
47	2	BEARING P2B-SCED-104	RUBBER PINCH ROLLER
48	1	SHAFT 1.25" X 53.250	BOTTOM
49	7	6" HEAVY DUTY SPROCKET 1.25"	BOTTOM
50	2	HYDRAULIC CYLINDER LIFT RAMS	E.S. / D.S.
51	1	SHAFT 1.5" X 55.687	TOP
52	6	6" HEAVY DUTY SPROCKET 1.5"	TOP
53	2	HYDRAULIC CYLINDER ROTATION RAM	E.S. / D.S.
54	1	BLUE INTAKE WHEEL	BLUE WHEEL (B.W.)
55	2	B.W. LIFT ARMS	E.S. / D.S.
56	2	BEARING P2B-SCED-100	BLUE WHEEL (B.W.)
57	1	SPROCKET DRIVEN 60BS 12 X 1.25H	RUBBER PINCH ROLLER
58	1	SPROCKET DRIVE 60BS 15 X 1H	
59	2	B.W. HYDRAULIC CYLINDER RAM	E.S. / D.S.
60	2	ROTATION ARM	E.S. / D.S.
61	2	ROTATION LINK SHORT	E.S. / D.S.
62	2	ROTATION LINK LONG	E.S. / D.S.
63	1	#60 DRIVE CHAIN	B.W.
64	1	RUBBER PINCH ROLLER	



# Paddle Wheel Assembly

## Replacement Parts

No.	Qty.	Description	Detail
65	4	PILLOW BLOCK BEARINGS	
66	2	PADDLE DRIVE COUPLING ASSEMBLY	(#3, #5, #6)
67	2	CHAIN #5018	
68	2	PADDLE MOTOR	
69	2	SPROCKET #5018 1.25"	
70	2	SPROCKET #5018 1.5"	
71	4	5/8" HOSE 10G-10FJX to 10G-10FJX (136")	PADDLE WHEEL SUPPLY HOSE

