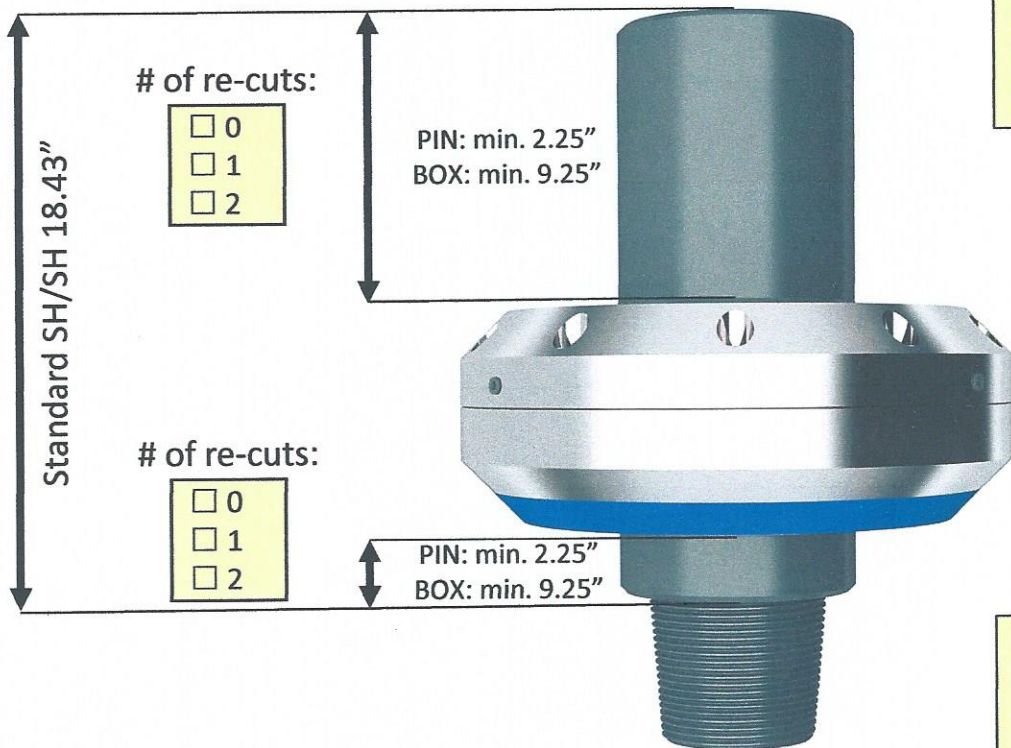


WITS™ C-Models for Casing Running Tool Applications



Upper Connection:

PIN

BOX

6-5/8" API Reg.

NC 50

Other: _____

Lower Connection:

PIN

BOX

6-5/8" API Reg.

NC 50

Other: _____

Customer

Company: _____

Name: _____

Signature: _____

Date: _____

Casing Running Tool Information

Brand: _____

Model: _____

Serial Number: _____