


R.F.A.T

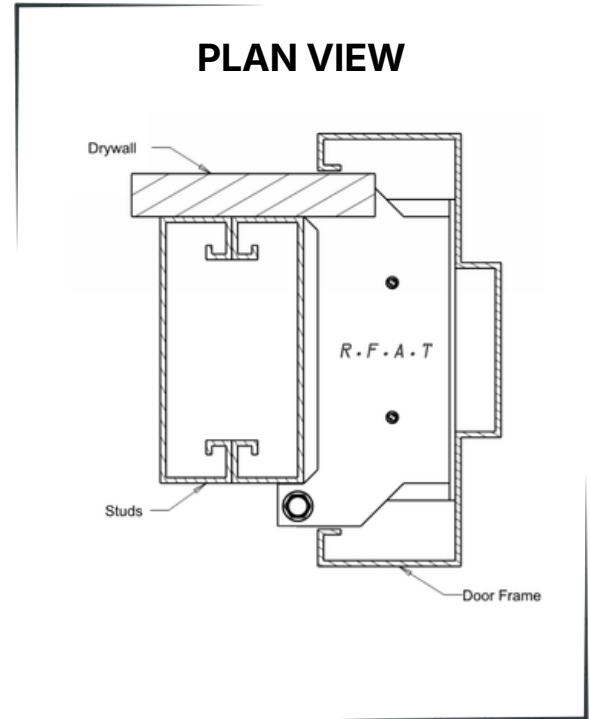
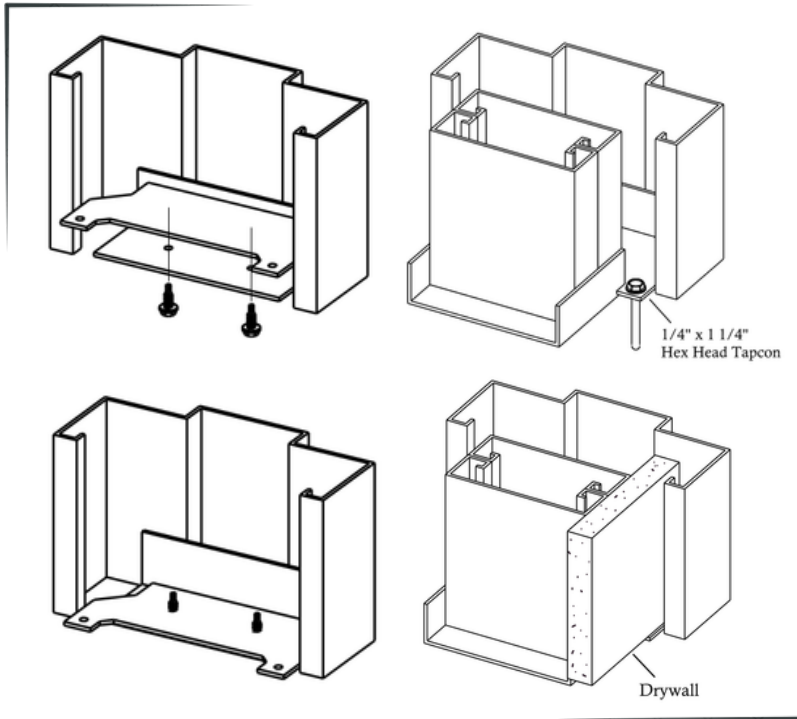
 CA 2,797,493

 US 8,863,453 B2



PRODUCT DESCRIPTION

- Commercial & institutional use
- Product allows for easy readjustment of frames once installed
- Use with all standard steel framing
- Patented design allows for complete build of wall partitions prior to frame installation & efficient renovation/adjustment of frames
- Product allows you to build walls and rough-ins completely with the flexibility to install door frames afterwards due to late delivery of door frames or to avoid damage to door frames caused by machinery and moving equipment on-site.



TECHNICAL DATA

1/4" Tapcon Anchor Specifications

Anchor Diam in. (mm)	Min. Depth of Embedment in. (mm)	f'c = 3000 PSI (20.7 MPa)		f'c = 4000 PSI (27.6 MPa)	
		TENSION Lbs. (kN)	SHEAR Lbs. (kN)	TENSION Lbs. (kN)	SHEAR Lbs. (kN)
1/4" (6.4)	1-1/4" (31.8)	1,160 (5.2)	900 (4.0)	1,270 (5.6)	1,360 (6.1)

S/D Screws #10-16 Specifications

Fastener Type	Standard	Strength for Steel Connections (18-18 GA)	Strength for Steel Connections (16-16 GA)	Design Standard
S/D Screws #10-16	ASTM C1513	590 lbs	725 lbs	AISI S100-16

Material Type: 16 & 18 Gauge Steel Properties

Property	Nominal Thickness (in)	Yield Strength (ksi)	Typical Shear Yield (ksi)	Screw Shear Load (#10) (lbs)
16-Gauge	0.0635	33–50	≈20–30	370–467
18-Gauge	0.0516	33–50	≈20–30	263 (at 33 ksi)

Pricing

Stud Size	Sheathing	Product	Qty 50	Qty 250+
3 5/8"	single/single	RFAT 124MM	\$4.00	\$3.85
3 5/8"	single/double	RFAT 140MM	\$4.00	\$3.85
3 5/8"	double/double	RFAT 156MM	\$4.00	\$3.85
6"	single/single	RFAT 184MM	\$4.25	\$4.10
6"	single/double	RFAT 200MM	\$4.25	\$4.10
6"	double/double	RFAT 216MM	\$4.25	\$4.10

*Available to suit 1 5/8", 2 1/2", and 8" stud framing. Special order for double action frames available.
Prices based on 18GA materials. Prices guaranteed for 2026, subject to change thereafter.*