

6 ft. Chain-link Barrier Fence Frames

Updated: 09-13-2018



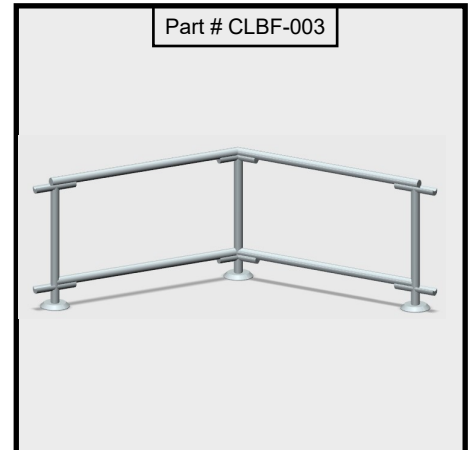
Part # CLBF-001

**Chain-link Barrier Fence
30 deg. Corner
HO Scale (1/87)**



Part # CLBF-002

**Chain-link Barrier Fence
45 deg. Corner
HO Scale (1/87)**



Part # CLBF-003

**Chain-link Barrier Fence
60 deg. Corner
HO Scale (1/87)**



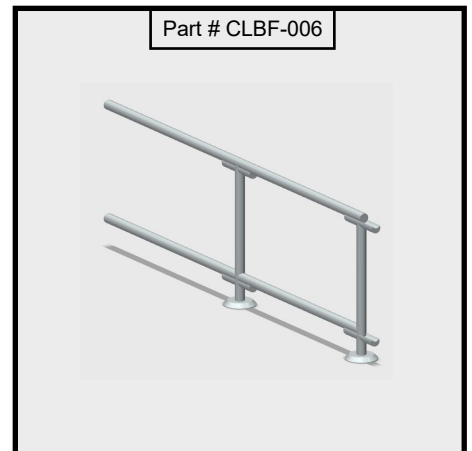
Part # CLBF-004

**Chain-link Barrier Fence
90 deg. Corner
HO Scale (1/87)**



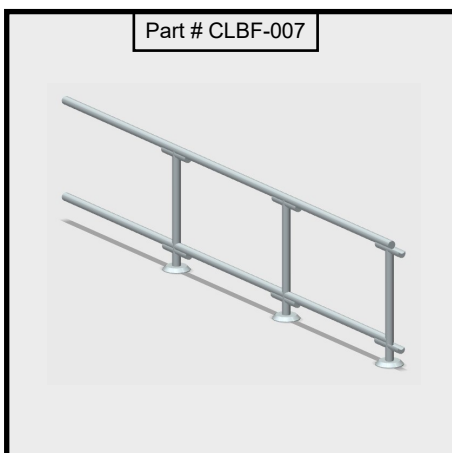
Part # CLBF-005

**Chain-link Barrier Fence
Straight 1-Section
HO Scale (1/87)**



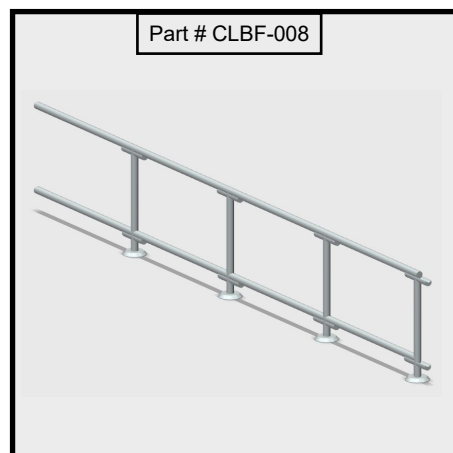
Part # CLBF-006

**Chain-link Barrier Fence
Straight 2-Section LS
HO Scale (1/87)**



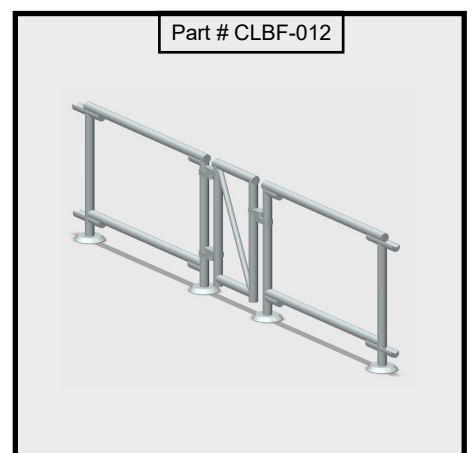
Part # CLBF-007

**Chain-link Barrier Fence
Straight 3-Section LS
HO Scale (1/87)**



Part # CLBF-008

**Chain-link Barrier Fence
Straight 4-Section LS
HO Scale (1/87)**

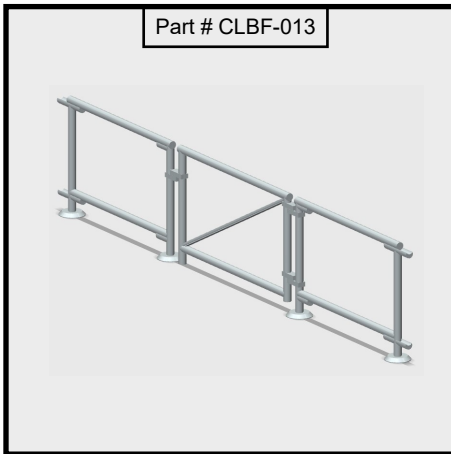


Part # CLBF-012

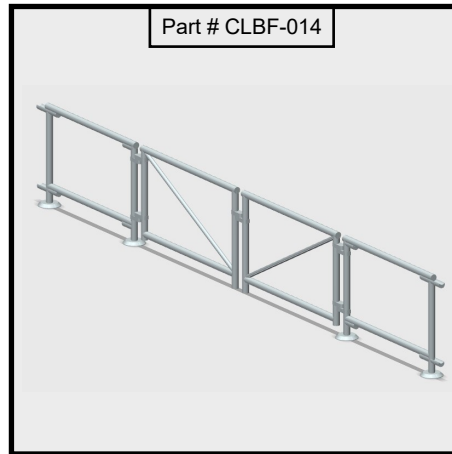
**Chain-link Barrier Fence
Swinging Man Gate
HO Scale (1/87)**

6 ft. Chain-link Barrier Fence Frames

Updated: 09-13-2018



Part # CLBF-013



Part # CLBF-014

3
**Chain-link Barrier Fence
Swinging Vehicle Gate
HO Scale (1/87)**

3
**Chain-link Barrier Fence
Swinging Double Gate
HO Scale (1/87)**