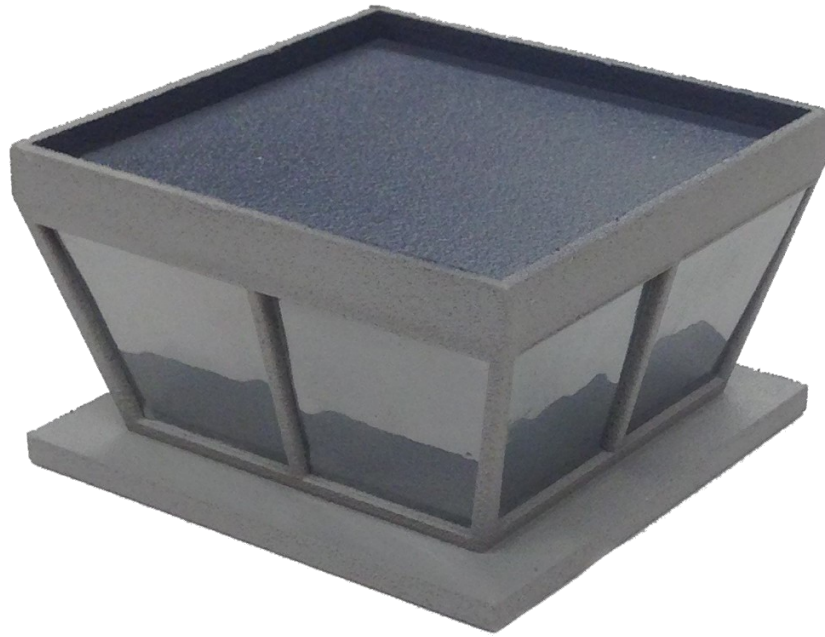


How to Finish an Airport Control Room



Part # ACT-01

Airport Control Tower Room and Airport Control Tower Base Building are available at available at:

Bobsminiatures.com

(Each Sold separately)

Suggested Materials Needed



Tacky Spray Glue



**Grey Spray Paint
(Plastic Bonding)**



White Glue



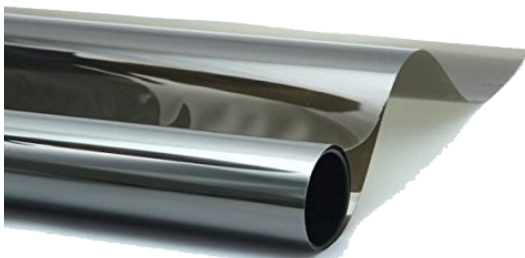
Card Stock Paper



Small Brush



Scissors



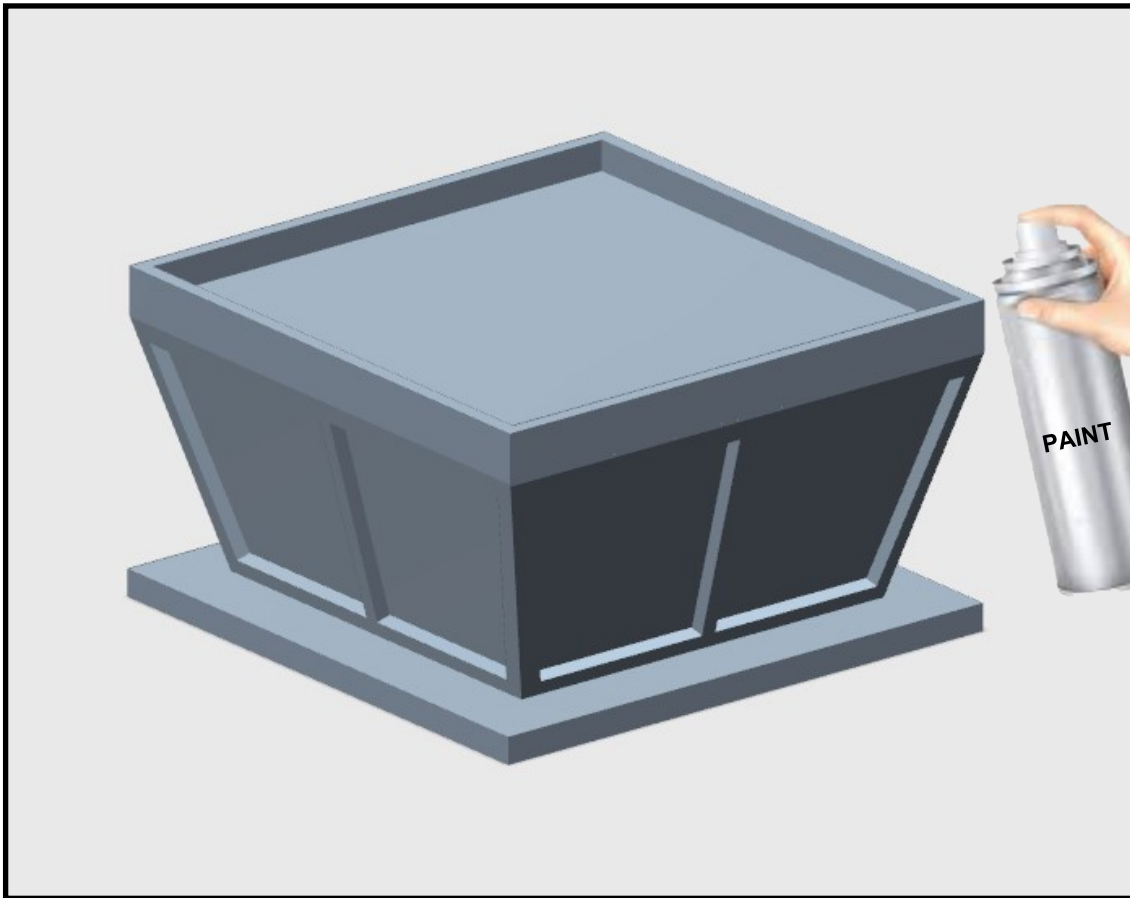
Window Tinting

OR



Document Protector

Paint the Control Room



Spray the entire airport control tower room with a plastic bonding paint. I suggest a flat, neutral grey color.

Prepare the windows



For windows made with window tinting material

- 1 . Print this page on an 8 1/2' x 11" sheet of card stock paper.
2. Then, reinsert the printed page into the paper tray of your printer with this shaded side facing up and then print page-6.
3. The window figures should print on the reverse side of the shaded area, above. This application is used with window tinting only.
4. Cut out a piece of home window tinting about the same size as the grey area, above.
5. Following the instructions on the spray can, coat the grey area on this page and the back of the tinting material with tacky spray glue. I use Aleene's All Purpose Spray Adhesive. After recommended drying time, carefully press the tinting material across the grey area of this page.
Then refer to page-6.

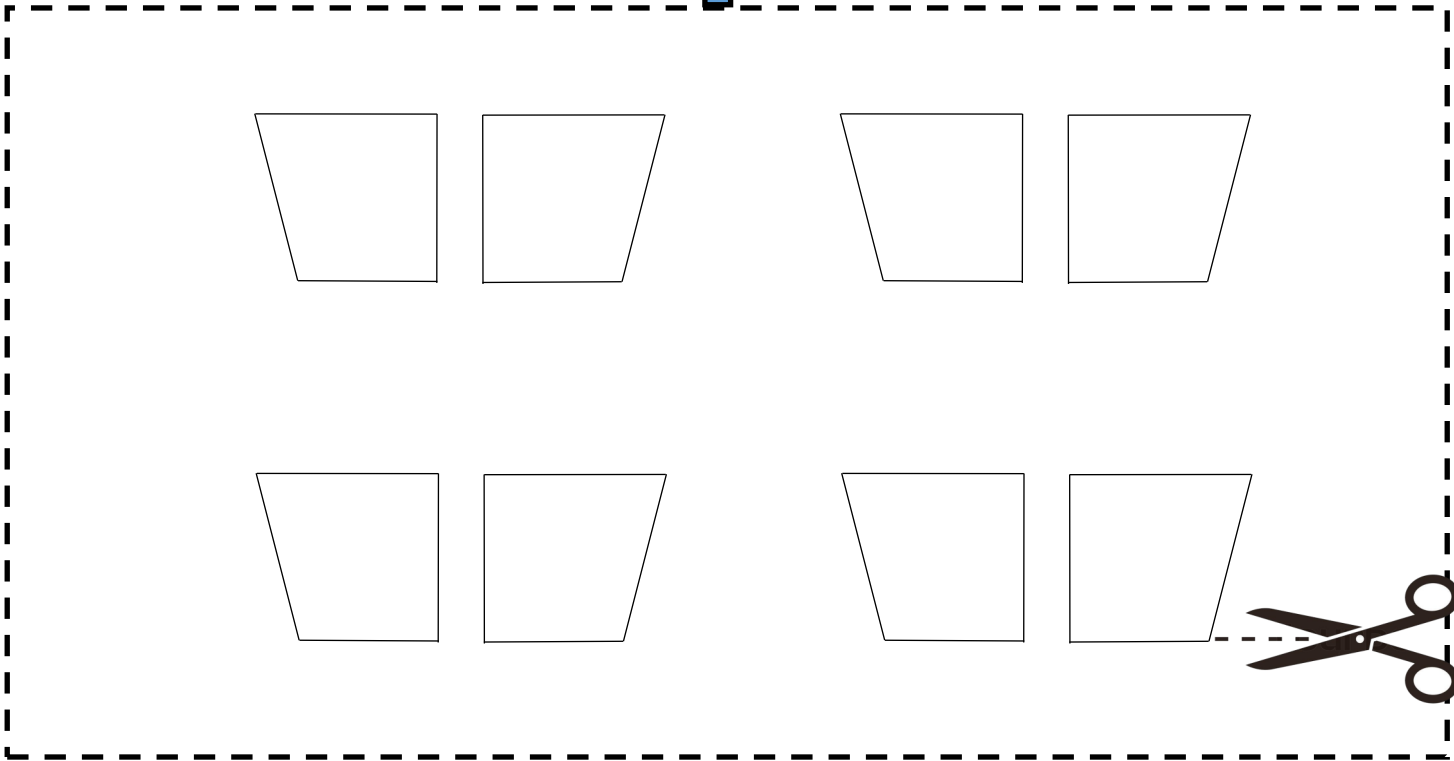
Prepare the windows



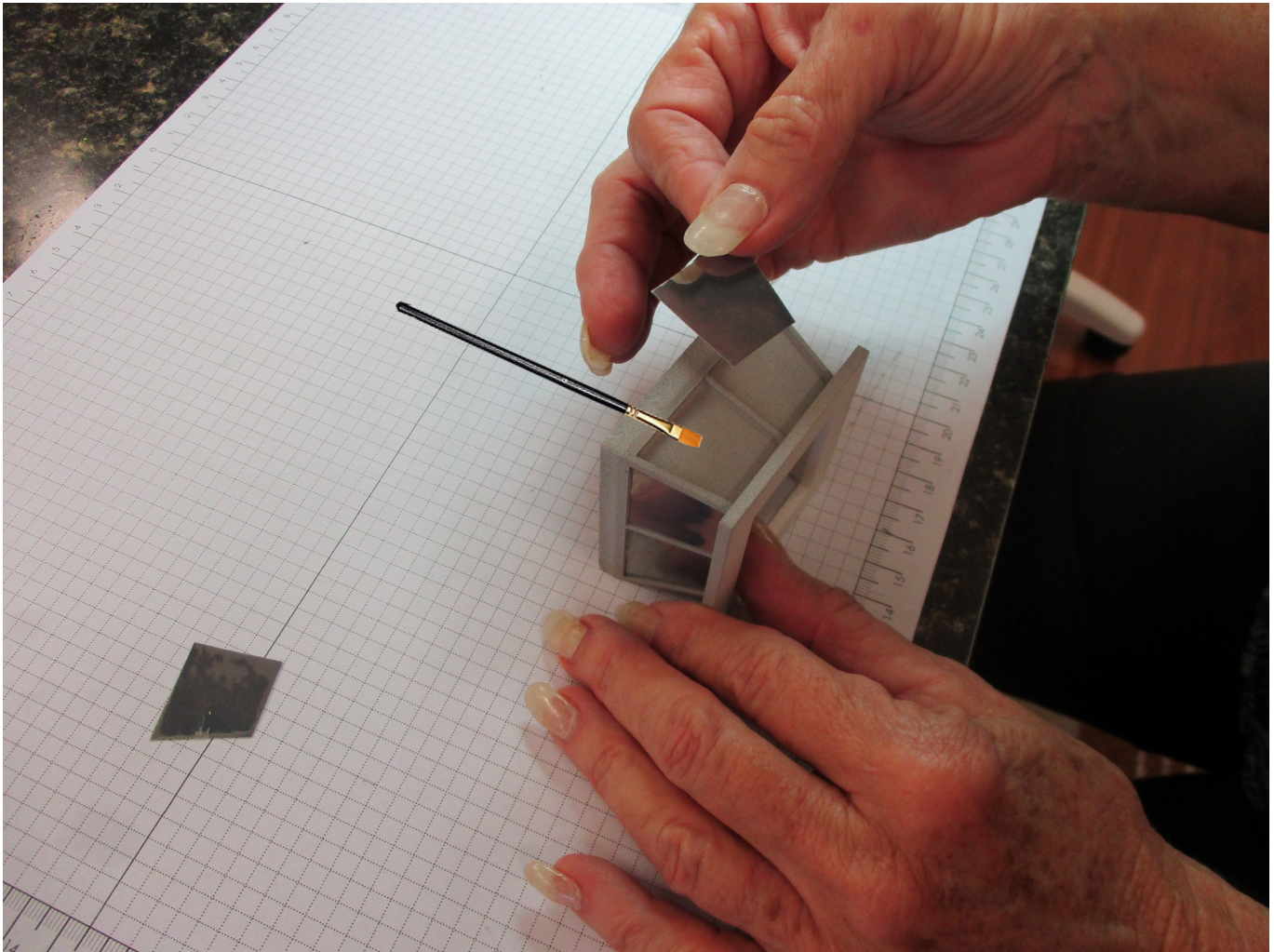
For windows made with document protector plastic

1. Print this page on an 8 1/2" x 11" sheet of card stock paper.
2. Then, reinsert the printed page into the paper tray of your printer with this shaded side facing up and print page-6.
3. The window figures should print on the reverse side of the shaded area, above. This application is used with document protectors only.
4. Cut out a piece of document protector about the same size as the black area, above.
5. Following the instructions on the spray can, coat the grey area on this page and the back of the piece of document protector with tacky spray glue. I use Aleene's All Purpose Spray Adhesive. After recommended drying time, carefully press the tinting material across the black area of this page. Then refer to page-6.

Cut out the windows



Turn the sheet over and carefully cut out each window figure using the above window outline templates. Set aside each piece, for later installation.



Insert Windows

Pre-fit all of the windows to their openings prior to gluing. You may have to do a little window trimming to get a snug fit for each opening.

Apply a thin coat of white glue on each window opening of the tower control room and carefully press each window into place.

How to Finish an Airport Control Room



Add rooftop accessories, also Available at [Bobsminiatures](#)
(Sold Separately)

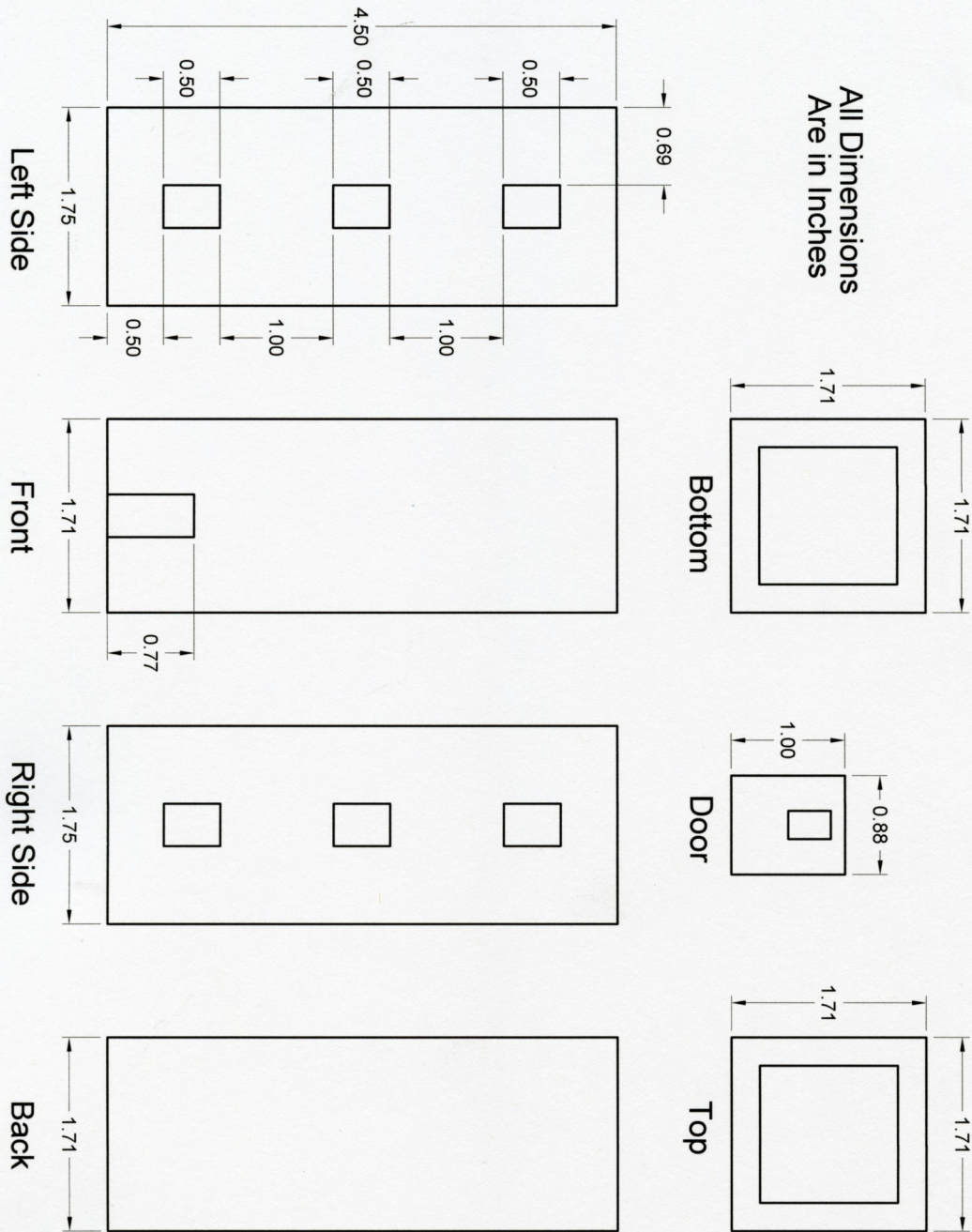


Add a Base Building and roof-top accessories (sold separately as it, for an unknown reason, is much cheaper than integrally).

Or

Make your own Base Structure out of .06" styrene plastic or 2" dia. PVC pipe.

Make Your own Base with Styrene Plastic



Try your skills in making your own tower base using 0.06” styrene plastic. Cut the door and window openings with a pair of nippers.