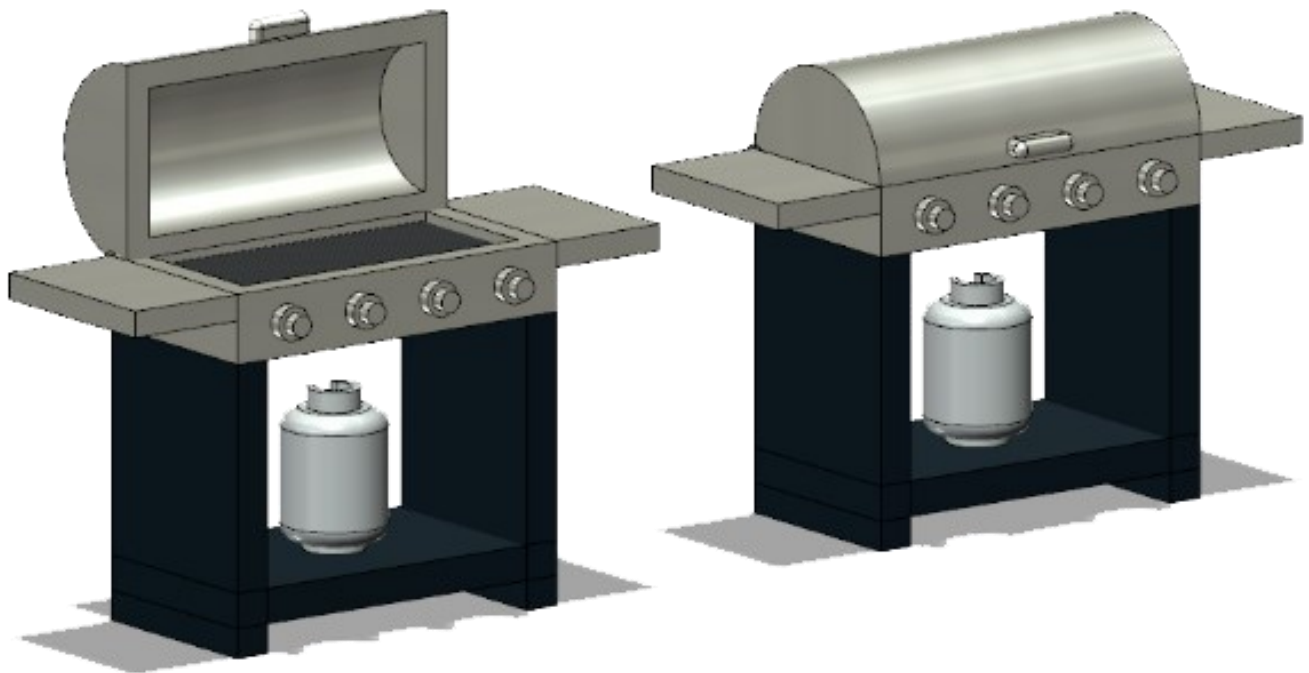


How to Finish A Backyard Bar-B-Q Grill

(Part # BBQ-001)

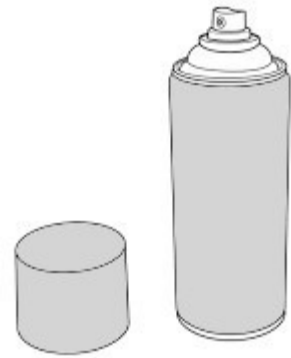


How to Finish A Backyard Bar-B-Q Grill

Suggested Materials



Side-Cutters



**Aluminum Color
Spray Paint**



Small Brush



**Testors Black
Model Paint**

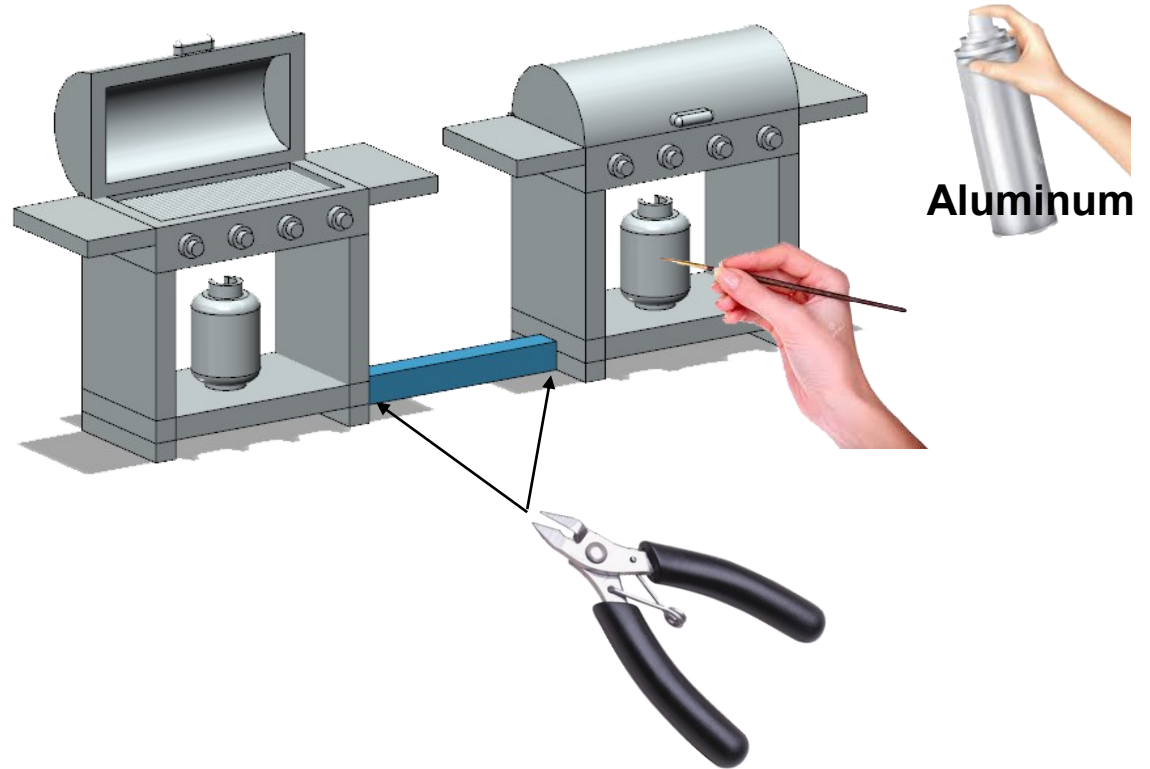


**Testors Brown
Model Paint**



**Testors White
Model Paint**

How to Finish A Backyard Bar-B-Q Grill



- Cut the sprue away that joins the grills and dispose.
- Paint the entire BBQ aluminum color.
- Paint the propane tank white.
- Paint the base and shelf black and the Grill brown.

How to Finish A Backyard Bar-B-Q Grill

Sample Dioramas



Lid Open



Lid Closed