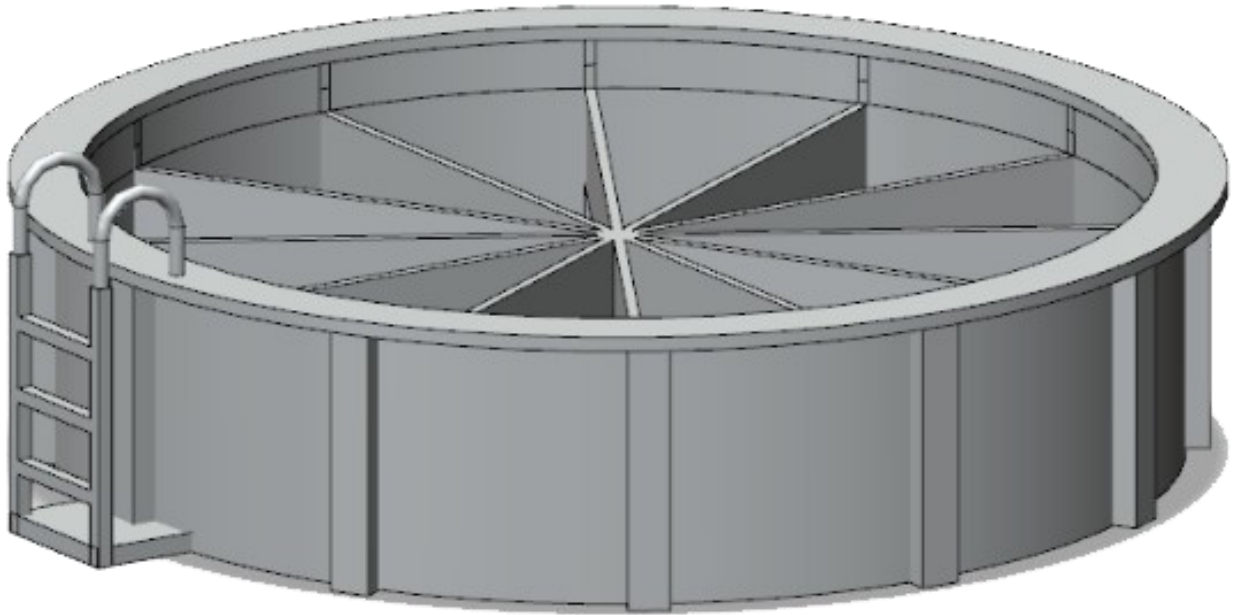


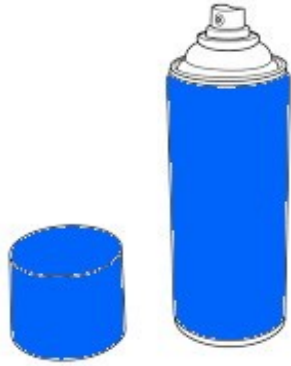
How to Finish A Doughboy Pool

(Part # DBSP-001)



How to Finish A Doughboy Pool

Suggested Materials



**Royal Blue Color
Spray Paint**



Small Brush



White Glue



**Testor's White
Model Paint**



**Testor's Aluminum
Model Paint**

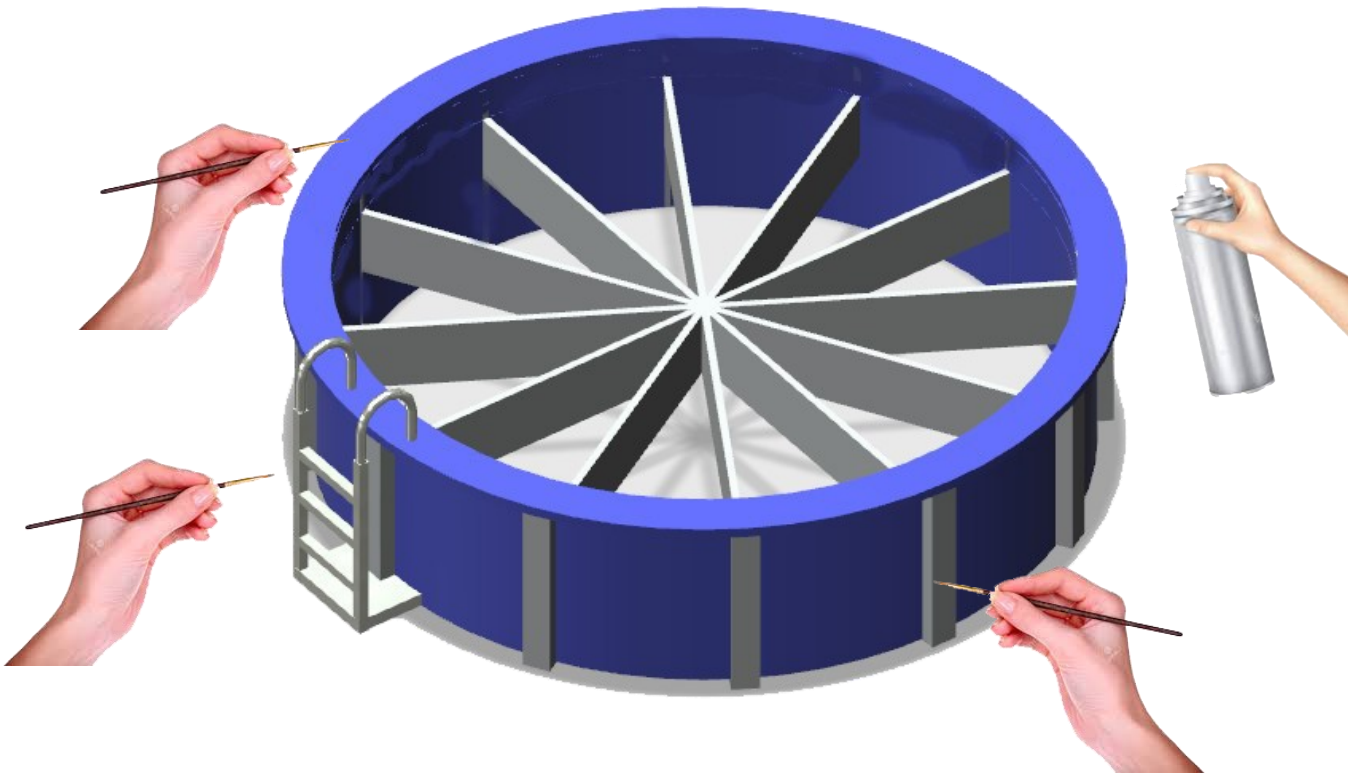


Scissors



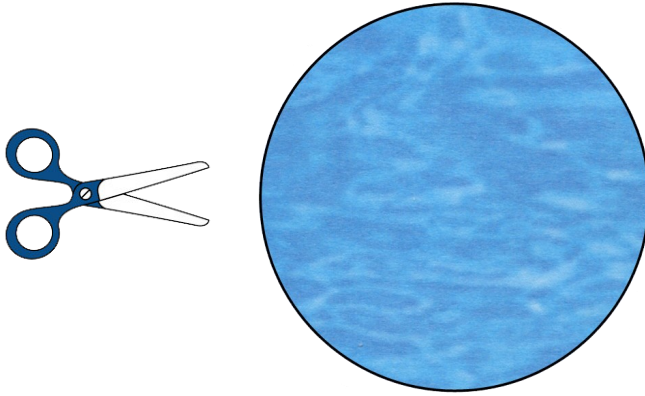
Painter Tape

How to Finish A Doughboy Pool

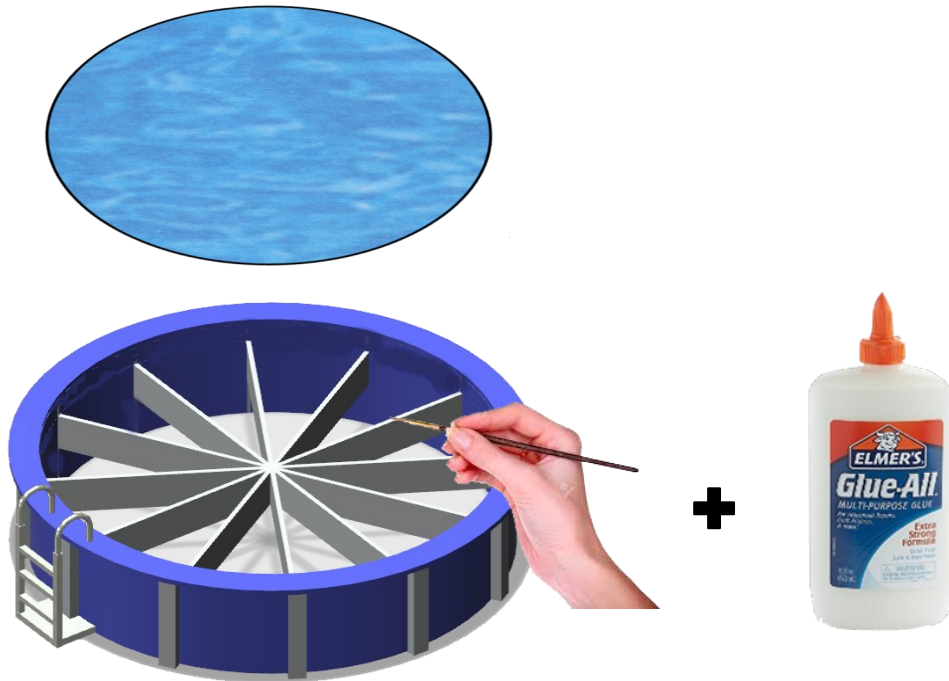


- **Paint the entire pool royal blue.**
- **Paint the ladder assembly aluminum color.**
- **Paint the external ribs white or aluminum.**
- **Paint the rim white or leave it royal blue.**

How to Finish A Doughboy Pool



- **Print this page on glossy photo paper and carefully cut out the above water surface image with a sharp pair of scissors.**



- **Be sure the water image fits easily onto the cross supports.**
- **Use a brush to apply a liberal amount of white glue to the tops of the cross supports and immediately place the water image on top. Place a small plastic glass on top as a little weight until the glue dries.**

How to Finish A Doughboy Pool



Sample Diorama