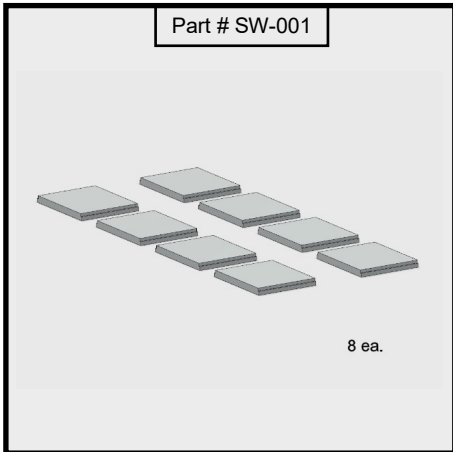
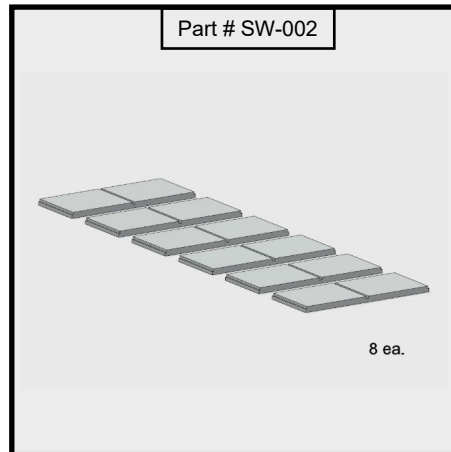


Buildings

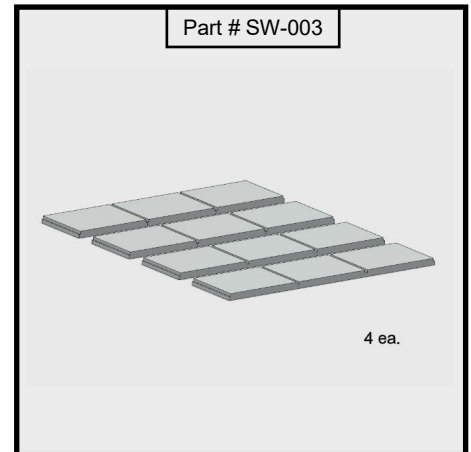
Updated: 03-26-2019



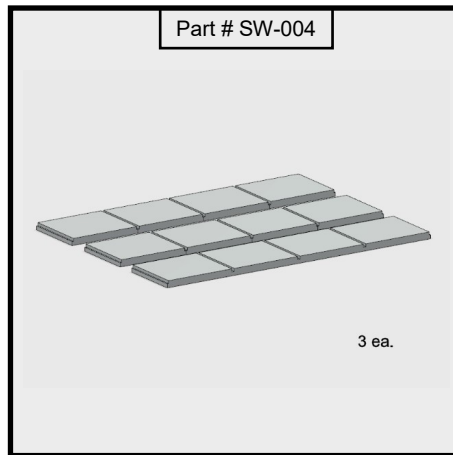
**Sidewalk 1-Segment
HO Scale (1/87)**



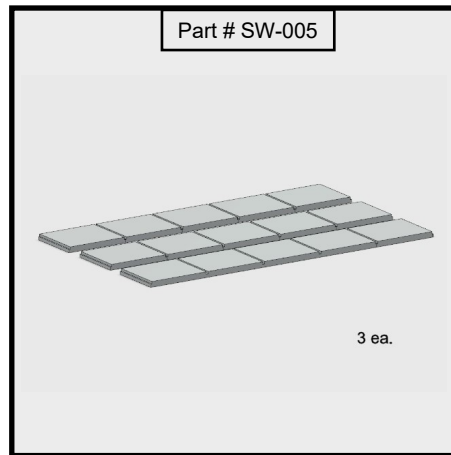
**Sidewalk 2-Segments
HO Scale (1/87)**



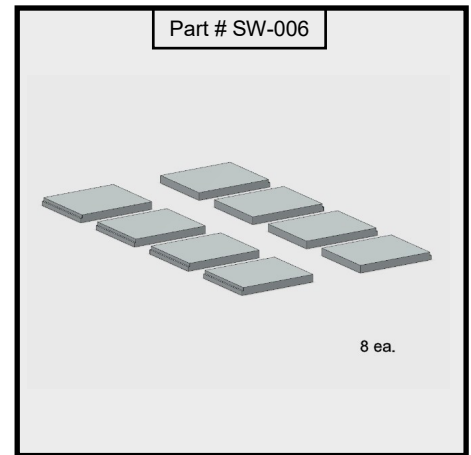
**Sidewalk 3-Segments
HO Scale (1/87)**



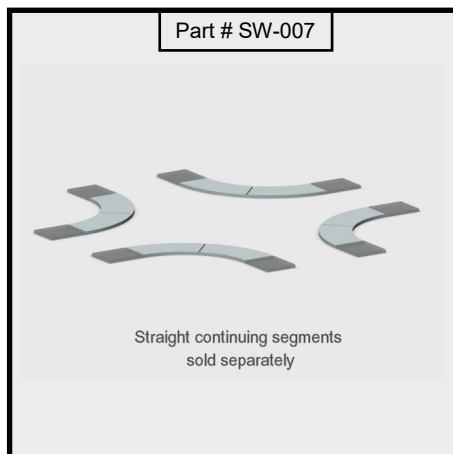
**Sidewalk 4-Segments
HO Scale (1/87)**



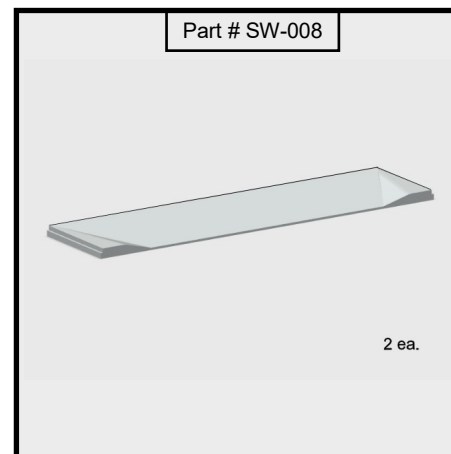
**Sidewalk 5-Segments
HO Scale (1/87)**



**Sidewalk End Segments
HO Scale (1/87)**



**Sidewalk - Intersection Curves
HO Scale (1/87)**



**Sidewalk - Driveway Entrance
HO Scale (1/87)**