

LIMITED WARRANTY

Shingle Manufacturing, Inc. warrants that the High-Tech Shredder will perform substantially in accordance with the accompanying instructions for 365 days from the date of receipt and that it will be free from defects in materials and workmanship under normal use and service for the same duration. Product warranty does not cover normal wear and tear. In the event that the motor and or any other working part of the machine malfunctions or is defective, we guarantee the replacement and or repair of the problem with proof of purchase. Any Repairs must be done by authorized technician or warranty WILL BE VOID!! Any damages resulting from accident, abuse, or misapplication will NOT be covered under warranty. If Machine faults occur the machine will be shipped to Shingle MFG. 10101 Streeter rd. Auburn, CA. 95602 at owner's expense. If deemed under warranty shipping will be refunded.

The customers and its supplier's entire liability and customers exclusive remedy shall be at **Shingle Manufacturing's** option to either (a) return the price paid for the Shredder, less the stocking fee of \$1000.00 if return is made within 72 hours, or (b) repair or replace the defective part covered under warranty (with a copy of the sales receipt).

NO OTHER WARRANTIES

To the maximum extent permitted by applicable law, **Shingle Manufacturing** and its suppliers disclaim all other warranties, either express or implied, including, but not limited to implied warranties of merchantability and fitness for a particular purpose with regard to the Shredder and any related written materials.

NO LIABILITY FOR DAMAGES

To the maximum extent provided by applicable law, in no event shall **Shingle Manufacturing** be liable for any damages whatsoever, including without limitation, special, incidental, consequential, or damages for personal injury, loss of business profits, business interruption, or any other pecuniary loss, arising out of the use of or inability to use this product, even if the company has been advised of the possibility of such damages. In any case **Shingle Manufacturing's** entire liability under any provision of this warranty shall be limited to the amount actually paid for the Shredder, less the \$1000.00 stocking fee.

SAFETY INFORMATION

High Tech Shredders (HTS) are to be operated by trained employees over the age of 18. The HTS should not be operated by children or persons with reduced physical, sensory, or mental capabilities, or lack of experience and knowledge unless they have been given supervision or instruction. (Clause 7.12)

If children are present, they should be supervised to ensure they do not play with the HTS. (Clause 7.12)

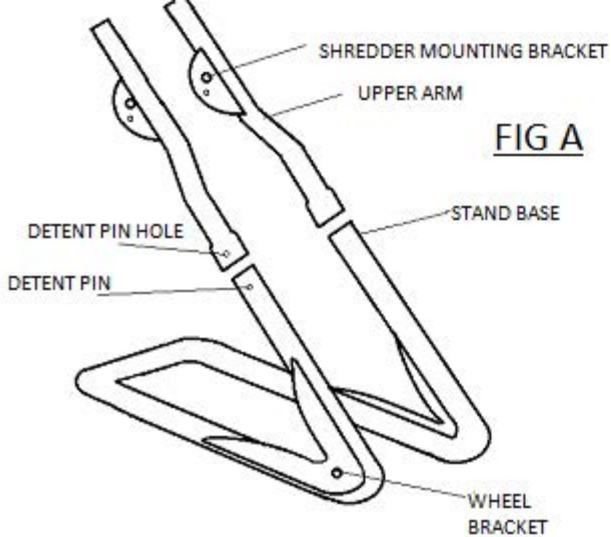
If the Supply cord is damaged, it must be replaced by the manufacture, its service agent, or similarly qualified person in order to avoid hazard.

Do not operate the HTS without safety shield closed and latched, and all body parts are free from hopper and discharge area in order to avoid injury.

For any further safety or operation instructions and/or questions visit info@high-techshredder.com or call 4354772445.

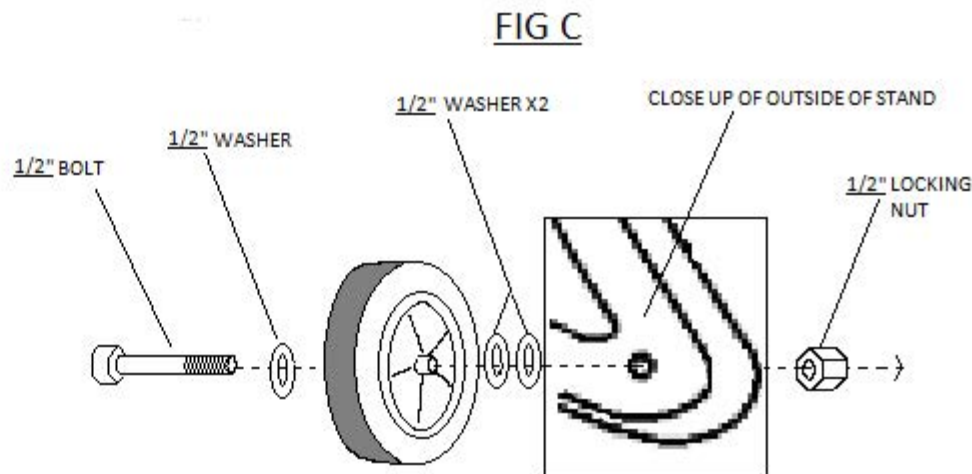
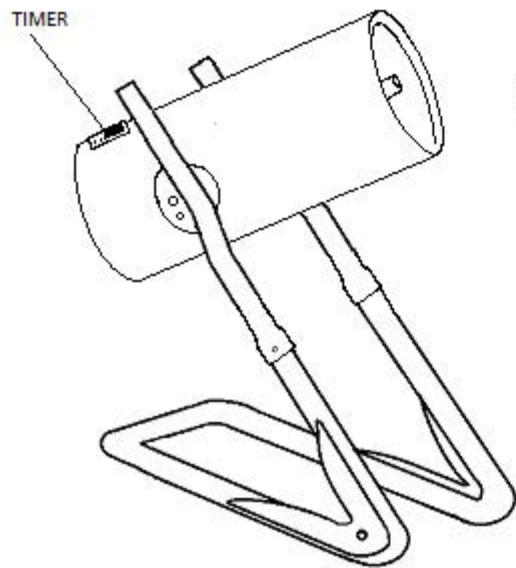
INFORMATION SUR LA SÉCURITÉ

High Tech Shredders (HTS) doit être manipulé par des employés formés âgés de plus de 18 ans. Le HTS ne doit pas être utilisé par des enfants ou des personnes ayant des capacités physiques, sensorielles ou mentales réduites, ou par un manque d'expérience et de connaissances, sauf si supervision ou instruction. (Article 7.12) Si des enfants sont présents, ils devraient être surveillés pour s'assurer qu'ils ne jouent pas avec le HTS. (Article 7.12) Si le cordon d'alimentation est endommagé, il doit être remplacé par le fabricant, son agent de service ou une personne de qualification similaire pour éviter tout risque. Ne pas utiliser le HTS sans le bouclier de sécurité fermé et verrouillé, et toutes les parties du corps sont libres de la trémie et de la zone de décharge afin d'éviter les blessures. Pour toute information supplémentaire concernant la sécurité ou l'utilisation, et / ou des questions, visitez info@high-techshredder.com ou appelez le 4354772445.



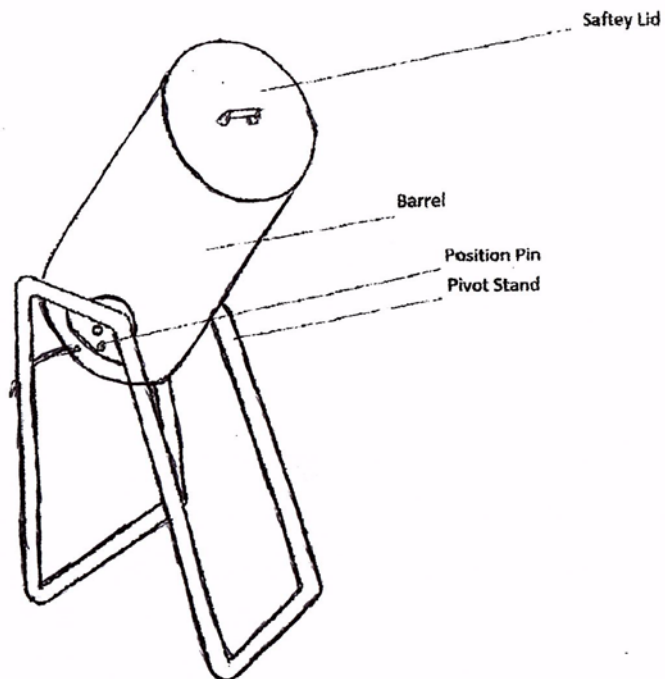
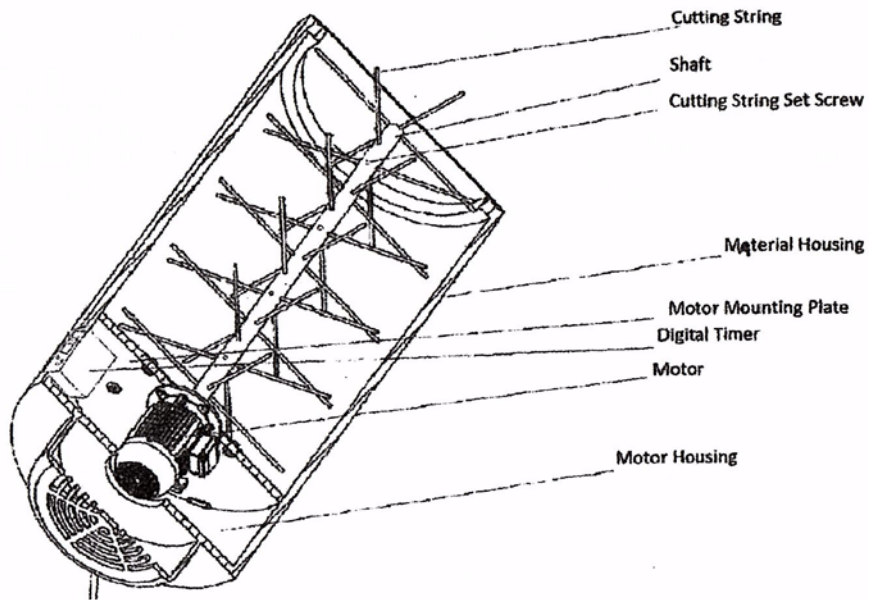
ASSEMBLY INSTRUCTIONS

1. SLIDE UPPER ARM WITH MOUNTING BRACKET FACING INWARD OVER STAND BASE UNTIL DETENT PIN POPS THROUGH DETENT PIN HOLE AS IN FIG A.
2. REPEAT STEP ONE WITH OPPOSITE ARM.
3. ATTACH WHEEL ASSEMBLY TO STAND AS IN FIG C.
4. ATTACH SHREDDER TO ASSEMBLED STAND WITH THE TIMER UP AS IN FIG B. WITH PROVIDED 1/2" BOLTS. (DO NOT OVER TIGHTEN OR SHREDDER WILL NOT ROTATE.)



Operating Instructions

1. Remove position pin and rotate mouth of barrel upwards.
2. Fill material housing with product.
3. Replace safety lid and position pin.
4. Plug in machine.
5. On timer, while in standby mode, press **SET** and "O" will be shown on the display.
6. Modify the time interval with the up and down buttons.
7. Press "**SET**" to enter time and start run cycle.
8. Remove Safety lid and position pin.
9. Dump product in desired container.
10. Repeat.



High-Tech Shredder machine Specs

Model: HTSS-110

Operating Temp °20-°40 C/°68-°104 F

Volts 115 Thermal Protection: None

Hertz 60 PH: 1

Amps 11

H.P. 3/4

R.P.M 1725

TQ. N/A

Maintenance

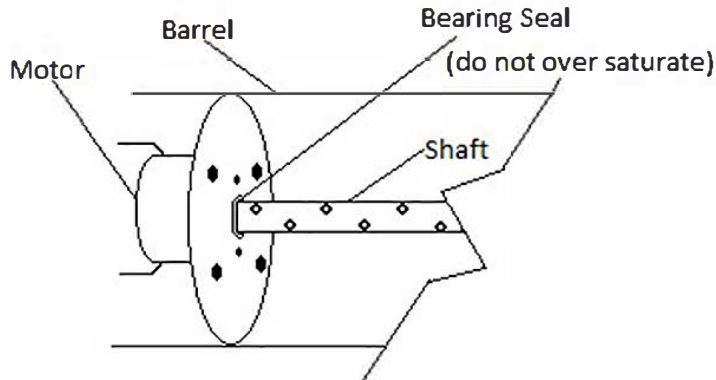
- Periodically blow out motor and material housing with air.
- Use only plastic cleaner on safety lid.
- Clean material housing with alcohol, wipe down and do not saturate bearing or the inside of the barrel.

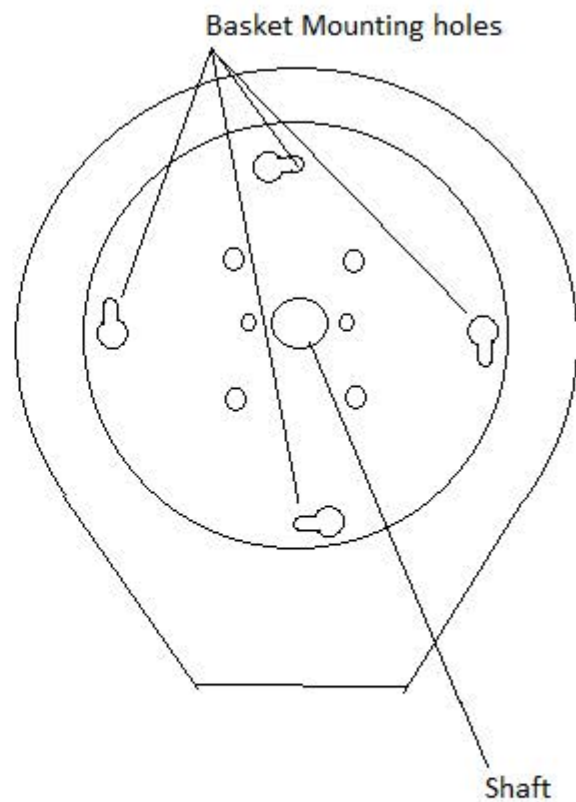
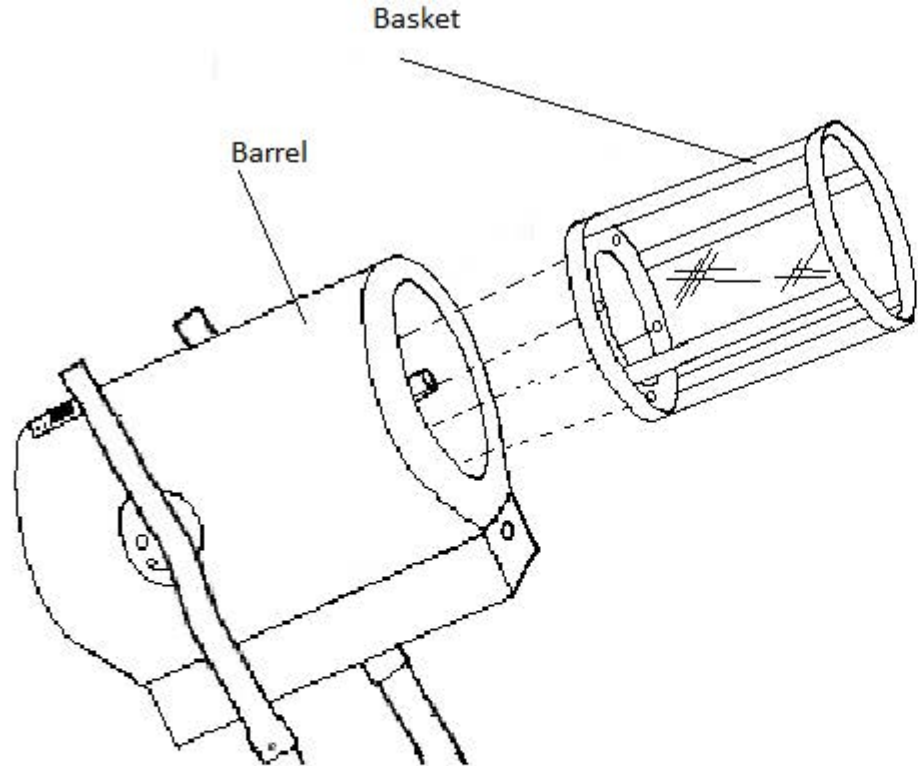
Maintenance Sheet

Periodically blow out motor and material housing with air.

-Use only plastic cleaner on safety lid.

-Clean material housing with alcohol, wipe down and do not saturate bearing or the inside of the barrel. Over saturation can cause bearing seal failure and push grease out of the bearing and also will void the warranty.





1. Unplug machine

2. Insert basket into barrel over the mounting bolts and twist basket.

3. Tighten the 4 bolts.